



US00D984403S

(12) **United States Design Patent**  
**Ribeiro et al.**

(10) **Patent No.:** **US D984,403 S**

(45) **Date of Patent:** **\*\* Apr. 25, 2023**

(54) **STREETLIGHT-MOUNTABLE WIRELESS NETWORKING DEVICE**

(71) Applicant: **UBICQUIA, INC.**, Fort Lauderdale, FL (US)

(72) Inventors: **Claudio Santiago Ribeiro**, Evanston, IL (US); **Elliott Earl Murray**, Plantation, FL (US)

(73) Assignee: **Ubicquia, Inc.**, Fort Lauderdale, FL (US)

(\*\*) Term: **15 Years**

(21) Appl. No.: **29/801,811**

(22) Filed: **Jul. 30, 2021**

(51) **LOC (14) Cl.** ..... **14-03**

(52) **U.S. Cl.**  
USPC ..... **D14/140.6; D14/240**

(58) **Field of Classification Search**  
USPC .... D14/240, 242, 357, 358, 140-140.9, 155, D14/125, 137, 139, 243, 348, 349, 351, D14/354, 355, 230, 233, 236, 140.6; D10/104.1, 114.1, 114.2, 114.5, 114.8  
CPC ..... H04L 12/00; H03K 17/00; H04W 88/00; H04W 88/005; H04W 88/02; H04W 88/08; H04W 88/085; H04W 88/10; H04W 88/12; H04W 88/14; H04B 1/38; H01R 35/04; F21V 17/06; F21V 23/008; F21V 23/0464; F21V 23/06; F21S 8/086; F21W 2131/103

See application file for complete search history.

(56) **References Cited**

**U.S. PATENT DOCUMENTS**

D346,152 S \* 4/1994 Zaugg ..... D14/218  
D462,676 S \* 9/2002 Sodling ..... D14/240  
D463,417 S \* 9/2002 Chan ..... D14/242  
D497,318 S \* 10/2004 Strand ..... D10/104.1  
D501,643 S \* 2/2005 Strand ..... D10/104.1

D523,854 S \* 6/2006 Rinna ..... D14/358  
D602,499 S \* 10/2009 Lewis ..... D14/203.3  
D606,983 S \* 12/2009 Hamer ..... D14/240  
D858,498 S \* 9/2019 Busl ..... D14/240  
D868,015 S \* 11/2019 Zimmerman, III ..... D14/140.6  
D868,016 S \* 11/2019 Zimmerman, III ..... D14/140.6  
D868,722 S \* 12/2019 Zimmerman, III ..... D14/140.6  
D871,361 S \* 12/2019 Aaron ..... D14/140.6

(Continued)

**FOREIGN PATENT DOCUMENTS**

EM 002069724-0001 \* 7/2012  
EM 002090233-0001 \* 8/2012

(Continued)

**OTHER PUBLICATIONS**

UbiHub AP6, Wayback Machine Date: Aug. 11, 2022, [online], [retrieved on Feb. 8, 2023]. Retrieved from Internet, <URL: <https://web.archive.org/web/20220811022409/https://www.ubicquia.com/products/streetlight-wi-fi-UbiHub-AP6>>.\*

*Primary Examiner* — Bridget L Eland

(74) *Attorney, Agent, or Firm* — Daniel C. Crilly

(57) **CLAIM**

The ornamental design for a streetlight-mountable wireless networking device, as shown and described.

**DESCRIPTION**

FIG. 1 is a perspective view of a streetlight-mountable wireless networking device showing our new design.

FIG. 2 is a front elevational view thereof.

FIG. 3 is a rear elevational view thereof.

FIG. 4 is a top plan view thereof.

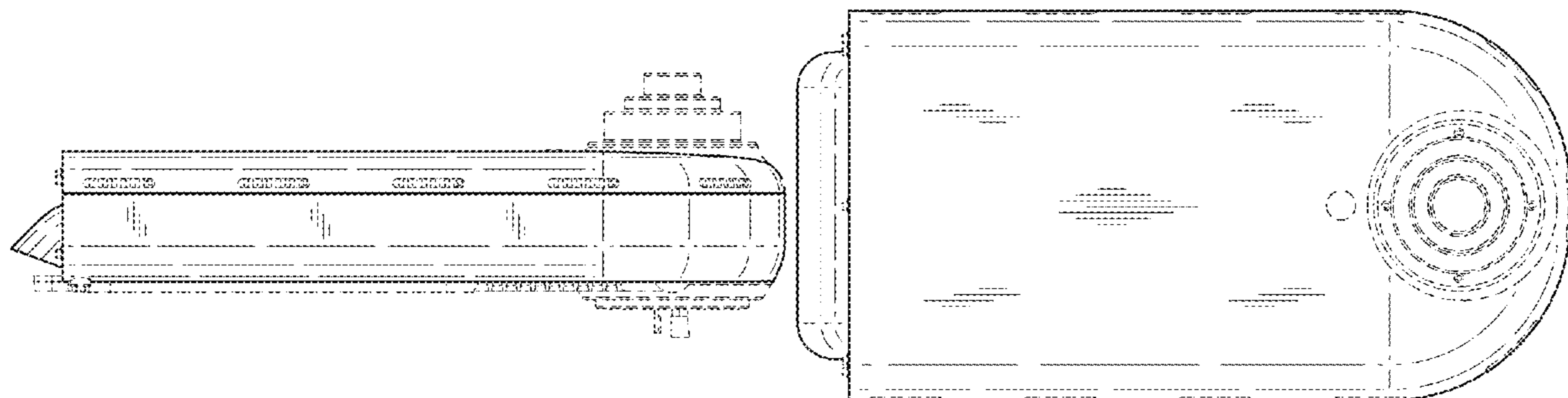
FIG. 5 is a bottom plan view thereof.

FIG. 6 is a left side elevational view thereof; and,

FIG. 7 is a right side elevational view thereof.

The broken lines in FIGS. 1-7 form no part of the claimed design.

**1 Claim, 4 Drawing Sheets**



(56)

**References Cited**

U.S. PATENT DOCUMENTS

D877,638 S \* 3/2020 Vardi ..... D10/104.1  
D892,758 S \* 8/2020 Zimmerman, III ..... D14/140.6  
D892,759 S \* 8/2020 Zimmerman, III ..... D14/140.6  
D894,860 S \* 9/2020 Root ..... D14/140.6  
D894,861 S \* 9/2020 Root ..... D14/140.6  
D933,627 S \* 10/2021 Ribeiro ..... D14/242  
11,187,400 B1 \* 11/2021 Ribeiro ..... H01R 35/04  
D951,781 S \* 5/2022 Ribeiro ..... D10/53  
D954,034 S \* 6/2022 Xiong ..... D14/240  
2017/0195563 A1 \* 7/2017 Ribeiro ..... H04N 23/698  
2020/0383173 A1 \* 12/2020 Aaron ..... H05B 47/11  
2022/0232715 A1 \* 7/2022 Ribeiro ..... H05K 5/0221  
2022/0289377 A1 \* 9/2022 Aaron ..... G05D 1/0094

FOREIGN PATENT DOCUMENTS

EM 008313530-0001 \* 12/2020  
GB 9008313530-0001 \* 12/2020  
KR 300700402.0000 \* 7/2013

\* cited by examiner

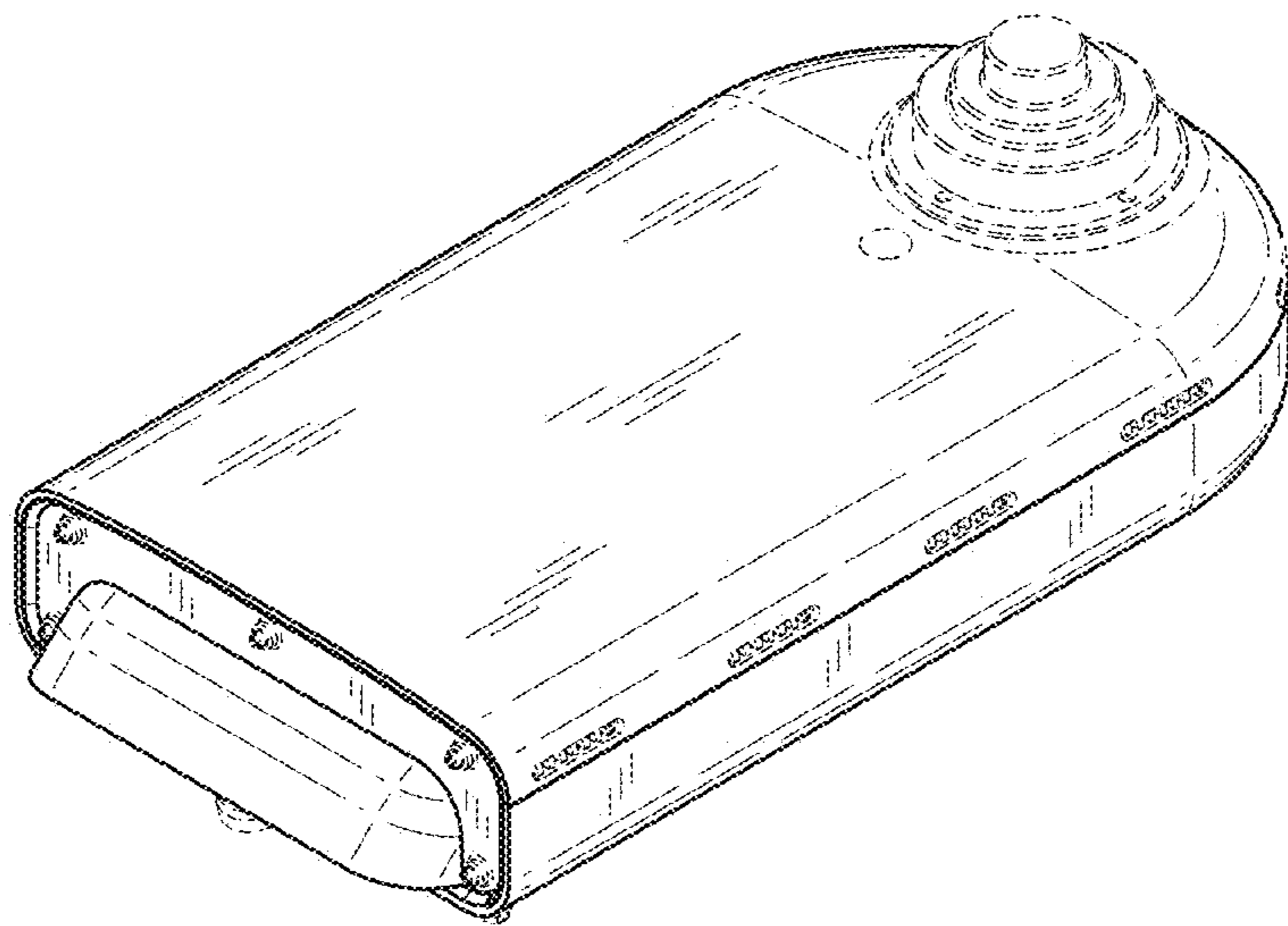


FIG. 1

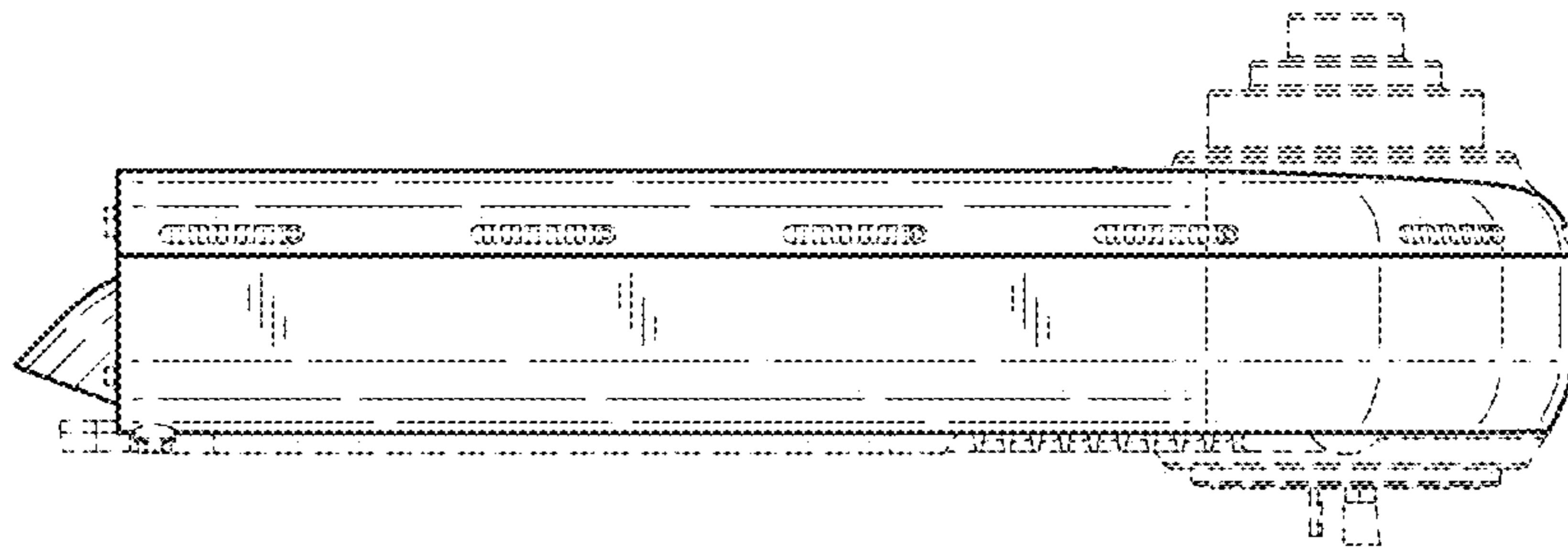


FIG. 2

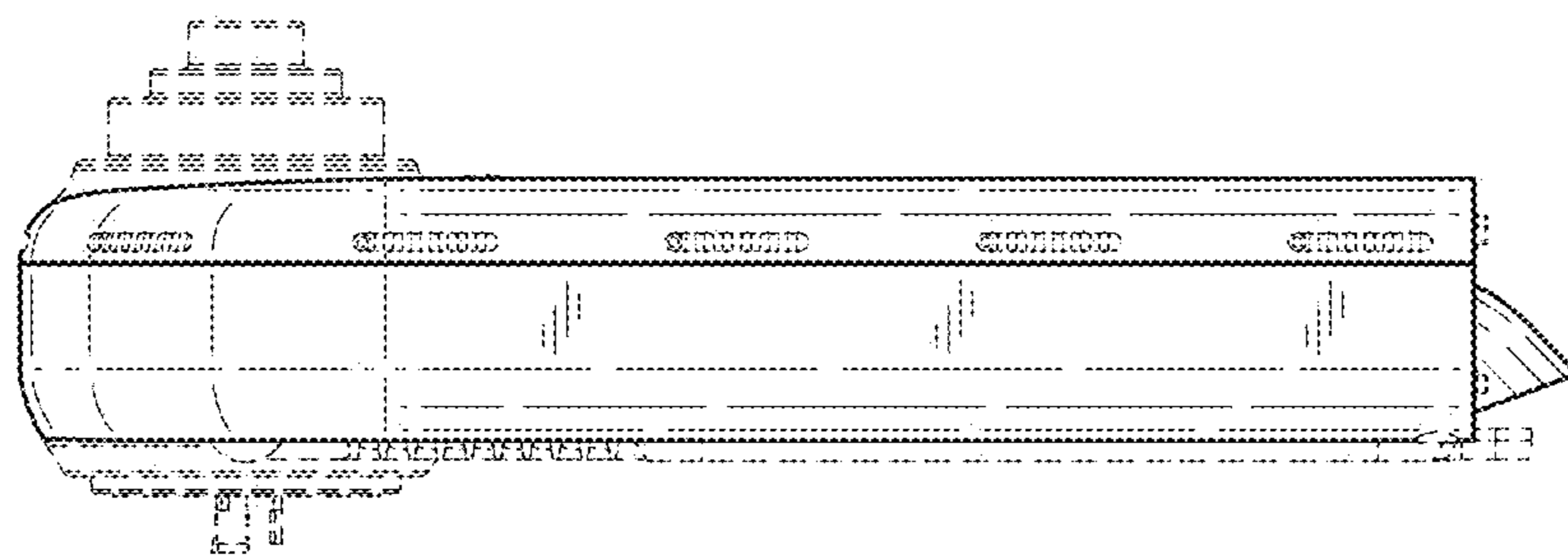


FIG. 3



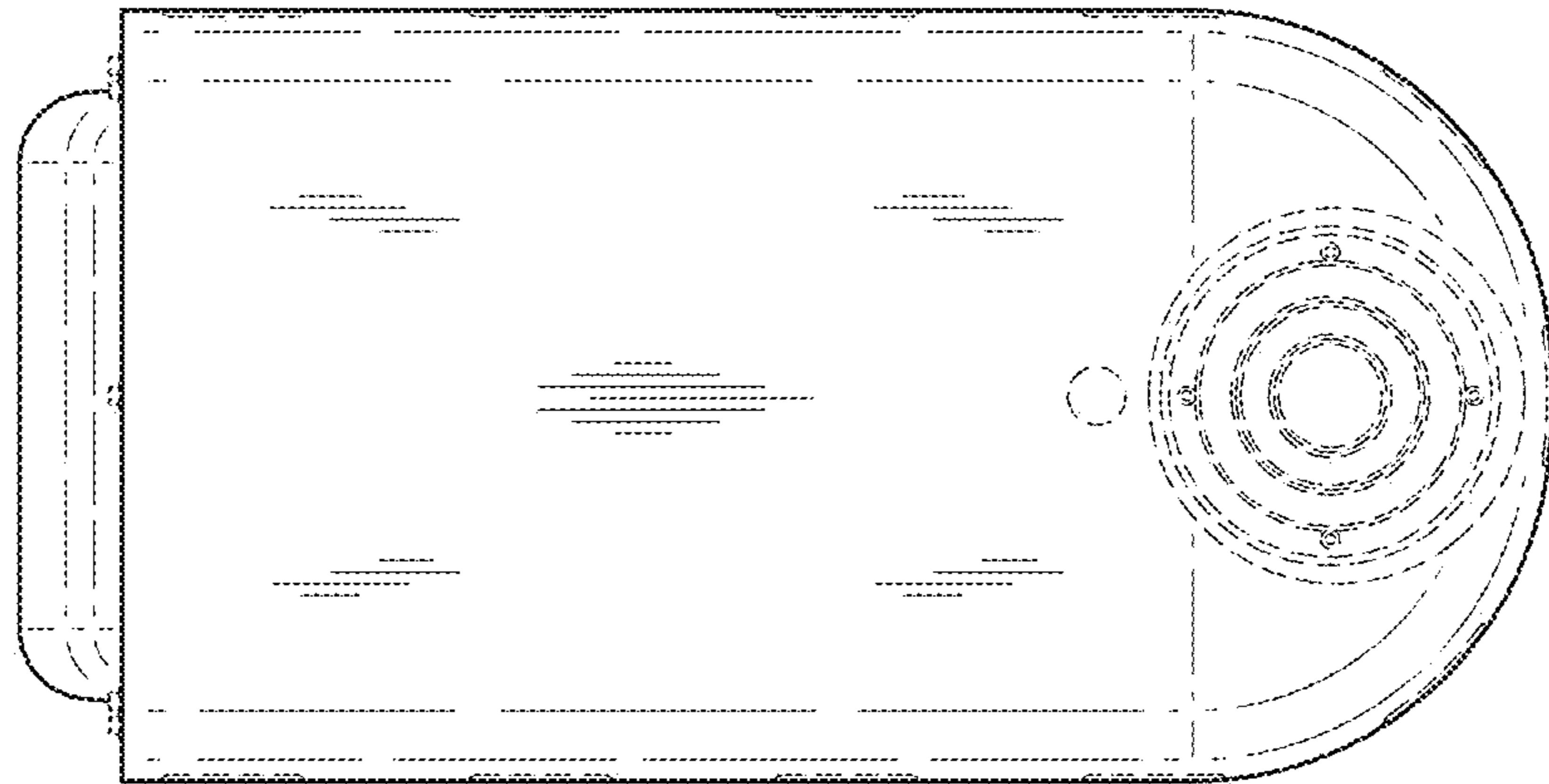


FIG. 4

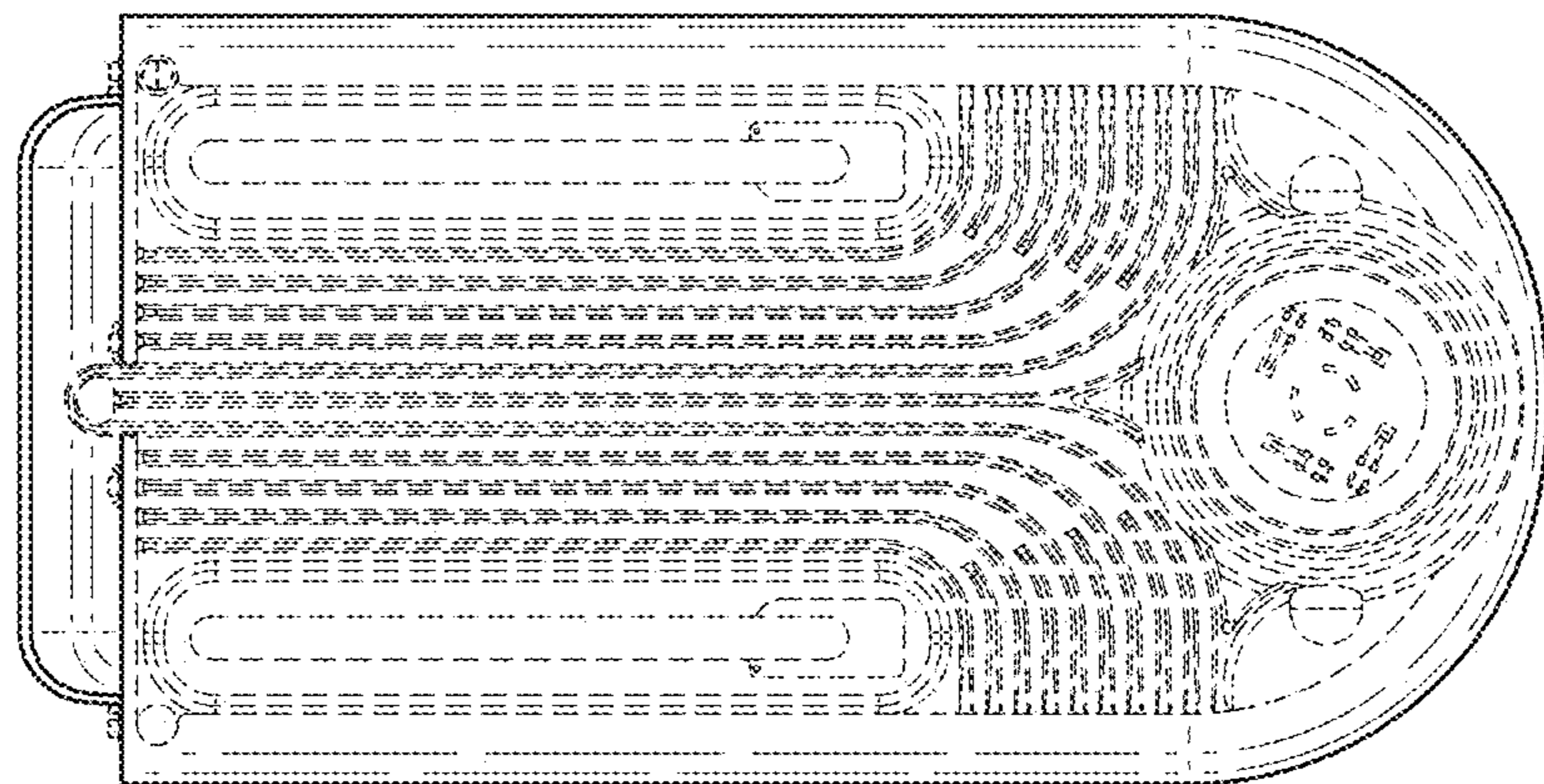


FIG. 5

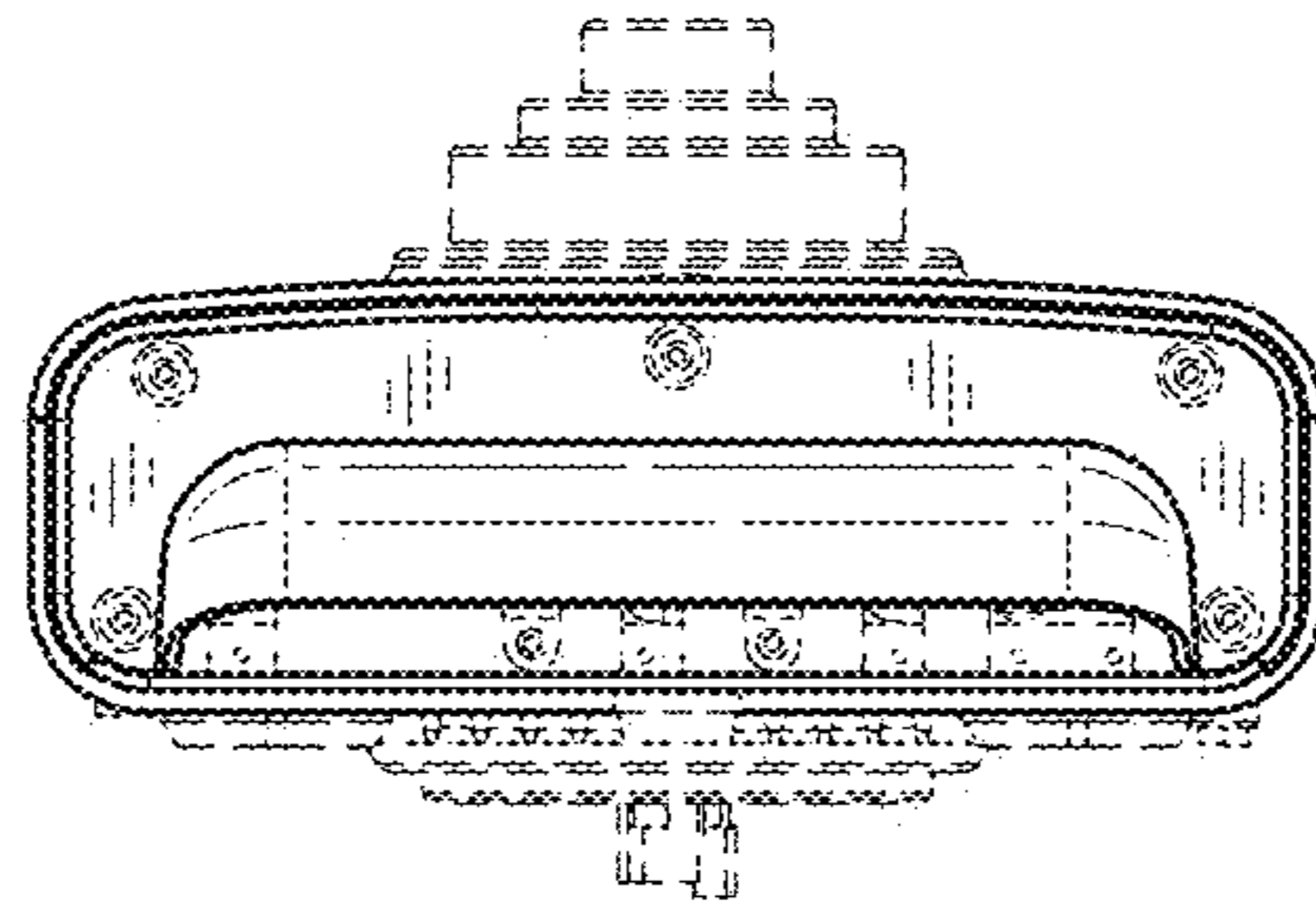


FIG. 6

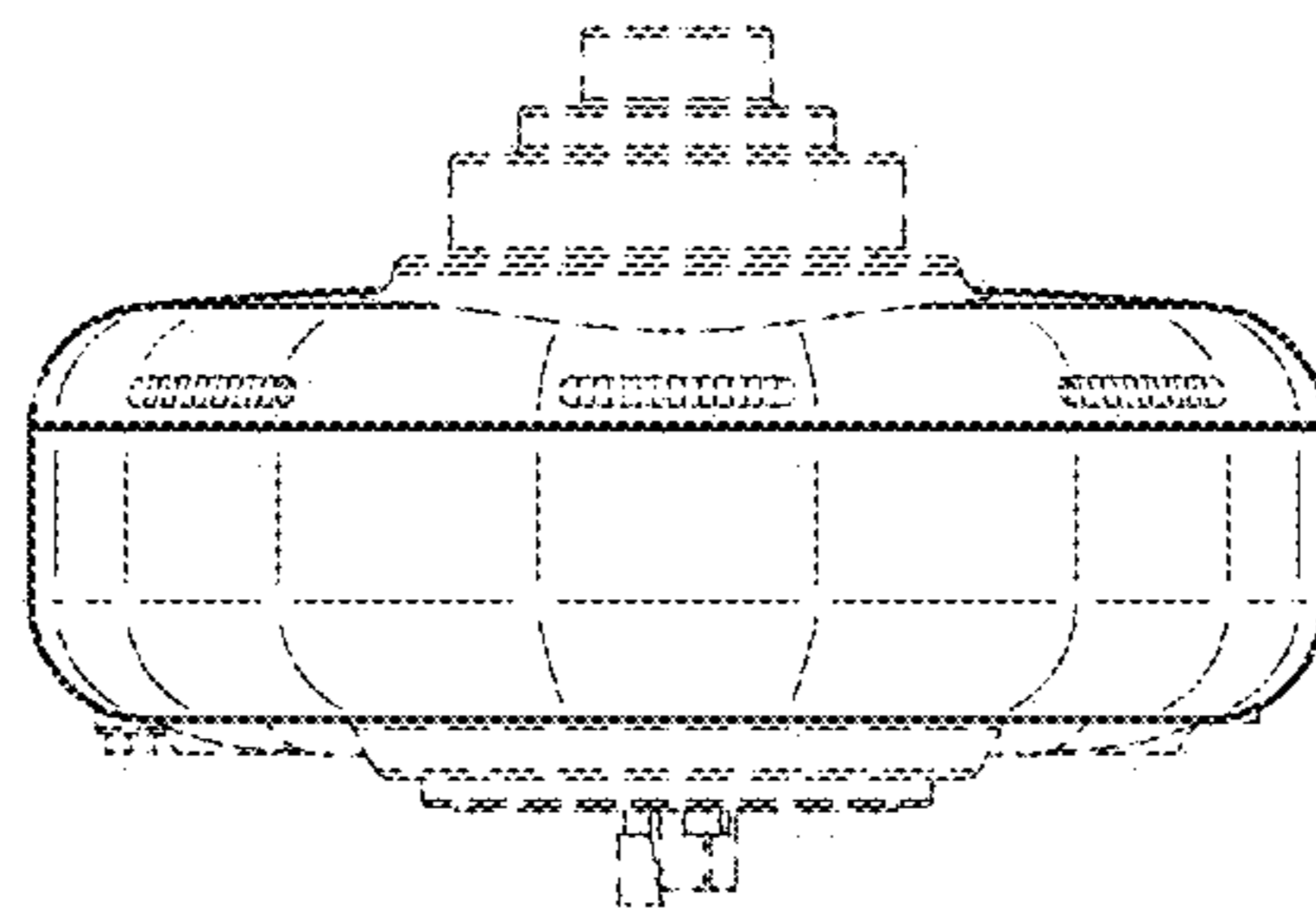


FIG. 7