



US00D984399S

(12) **United States Design Patent**
Yamamoto

(10) **Patent No.:** **US D984,399 S**

(45) **Date of Patent:** **** Apr. 25, 2023**

(54) **PORTABLE WIRELESS COMMUNICATION DEVICE**

(71) Applicant: **JVCKENWOOD Corporation,**
Yokohama (JP)

(72) Inventor: **Toyohito Yamamoto,** Yokohama (JP)

(73) Assignee: **JVCKENWOOD Corporation,**
Yokohama (JP)

(**) Term: **15 Years**

(21) Appl. No.: **29/806,765**

(22) Filed: **Sep. 7, 2021**

(30) **Foreign Application Priority Data**

Apr. 19, 2021 (JP) 2021-008242 D

(51) **LOC (14) Cl.** **14-03**

(52) **U.S. Cl.**
USPC **D14/137**

(58) **Field of Classification Search**
USPC D14/137, 138 R, 138 AA, 138 AD;
D10/104.1
CPC .. H04B 1/3833; H04B 1/3827; H04B 1/3855;
H04B 2001/3861; H04M 1/0202; H04M
1/03; H04M 1/035
See application file for complete search history.

(56) **References Cited**

U.S. PATENT DOCUMENTS

D497,600 S * 10/2004 Richards D14/137
D564,999 S * 3/2008 Richards D14/137
D605,616 S * 12/2009 Scott D14/137
D754,089 S * 4/2016 Yong D14/137
D761,223 S * 7/2016 Oikawa D14/137

D805,494 S * 12/2017 Richards D14/137
D816,639 S * 5/2018 Abe D14/137
D817,910 S * 5/2018 Yamamoto D14/137
D818,451 S * 5/2018 Takahashi D14/137
D876,379 S * 2/2020 Aihсан D14/137
D896,197 S * 9/2020 Lee D14/137
D916,671 S * 4/2021 Suzuki D14/137
2011/0281533 A1* 11/2011 Deleus G06F 3/0338
341/20

FOREIGN PATENT DOCUMENTS

JP D1573427 4/2017

* cited by examiner

Primary Examiner — Bridget L Eland
(74) *Attorney, Agent, or Firm* — Amin, Turocy & Watson
LLP

(57) **CLAIM**

The ornamental design for a portable wireless communication device, as shown and described.

DESCRIPTION

FIG. 1 is a right, front and top perspective view of a portable wireless communication device;
FIG. 2 is a left, front and top perspective view thereof;
FIG. 3 is a front elevational view thereof;
FIG. 4 is a rear elevational view thereof;
FIG. 5 is a top plan view thereof;
FIG. 6 is a bottom plan view thereof;
FIG. 7 is a left side elevational view thereof; and,
FIG. 8 is a right side elevational view thereof.
The broken lines shown in the drawings illustrate portions of the portable wireless communication device that form no part of the claimed design.

1 Claim, 5 Drawing Sheets

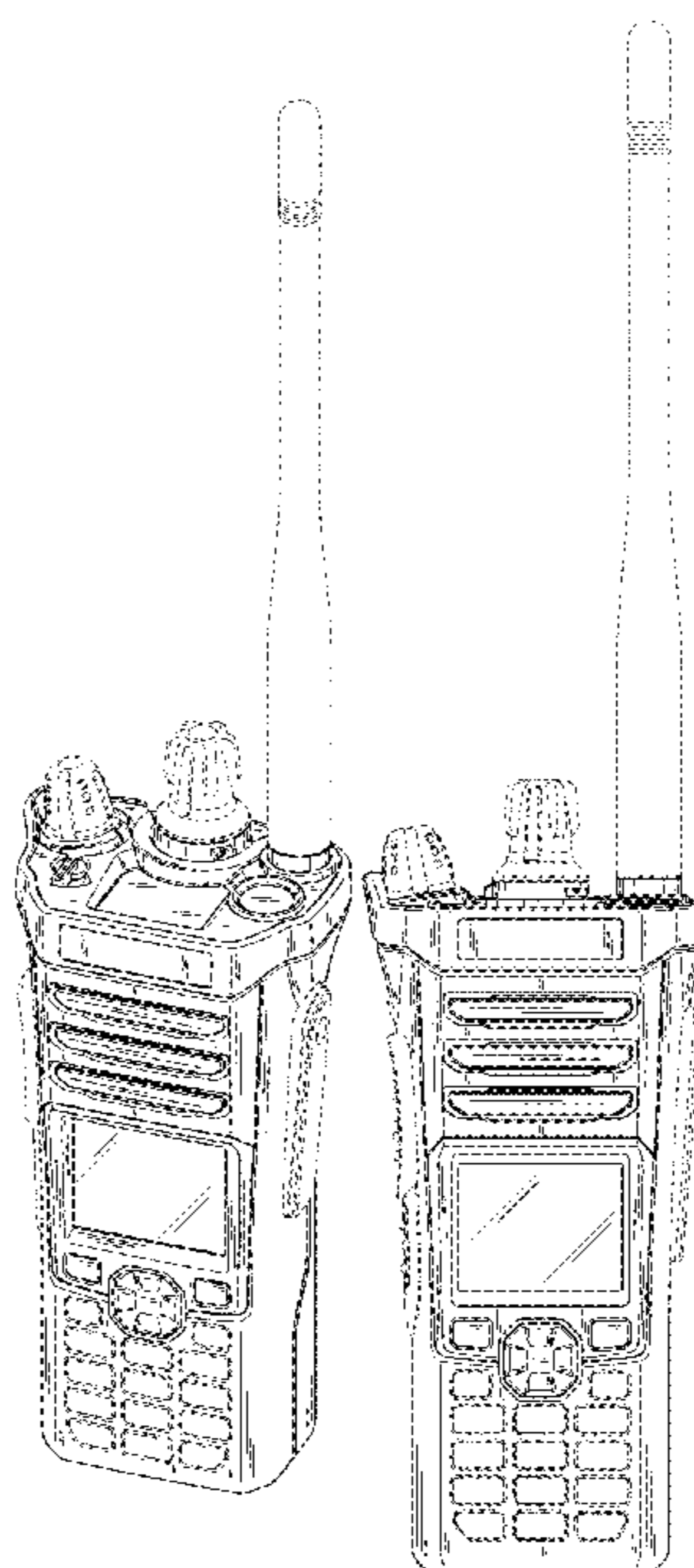


Fig. 1

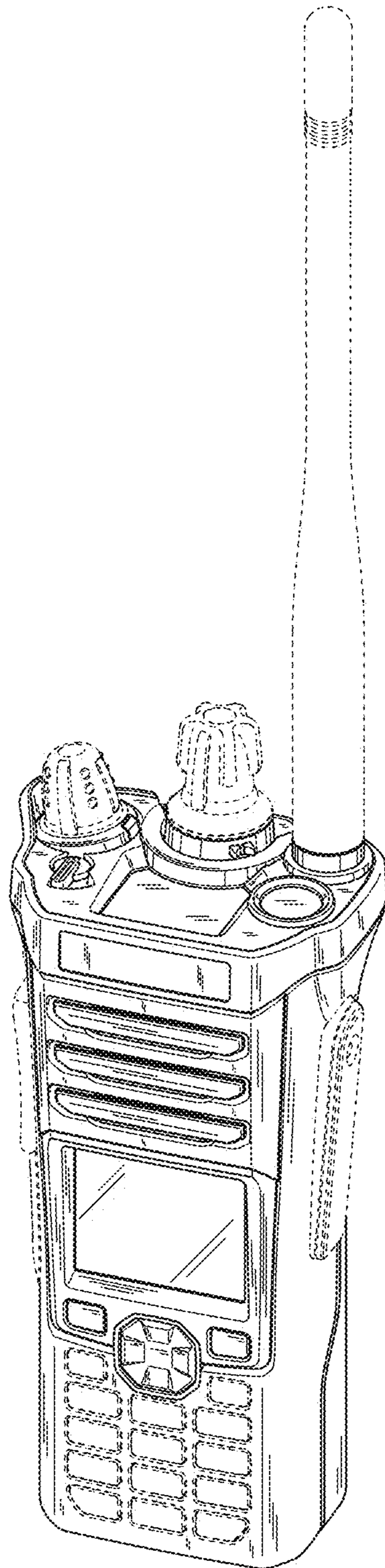


Fig.2

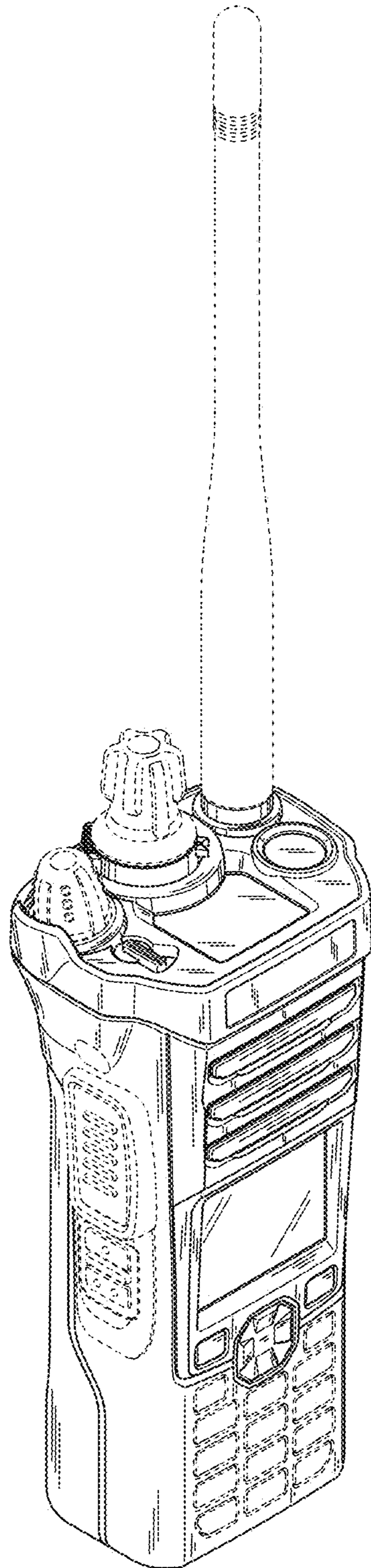


Fig.3

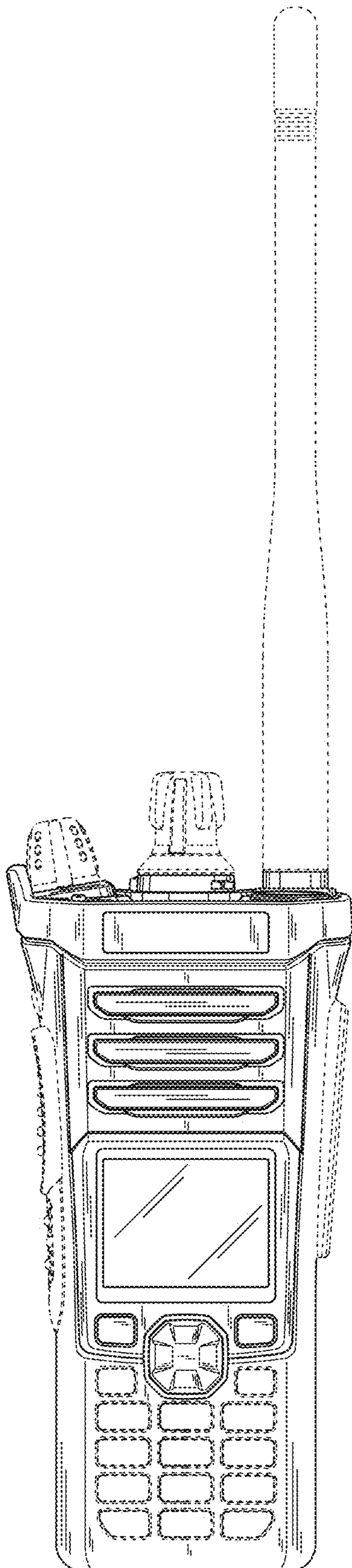


Fig.4

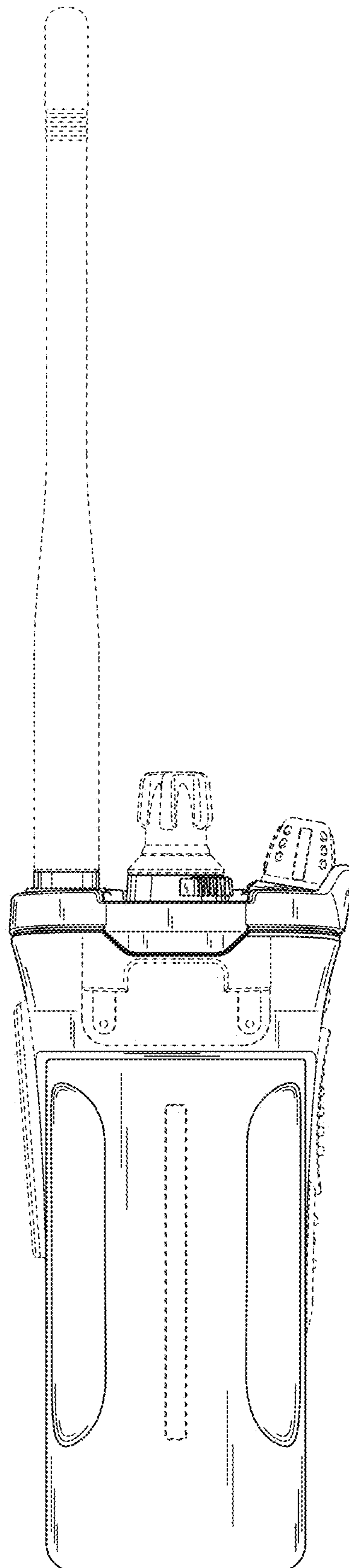


Fig.5

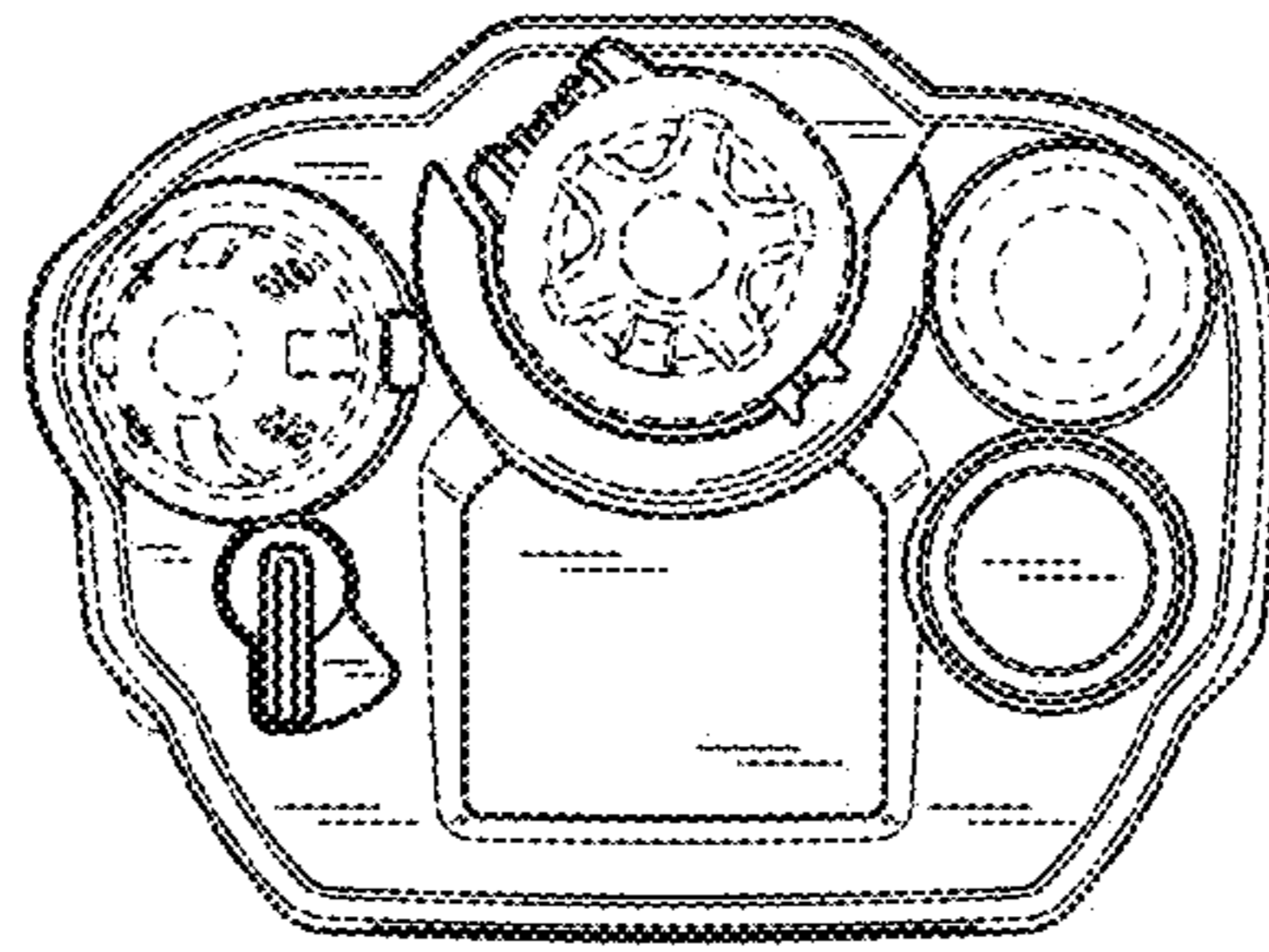


Fig.6

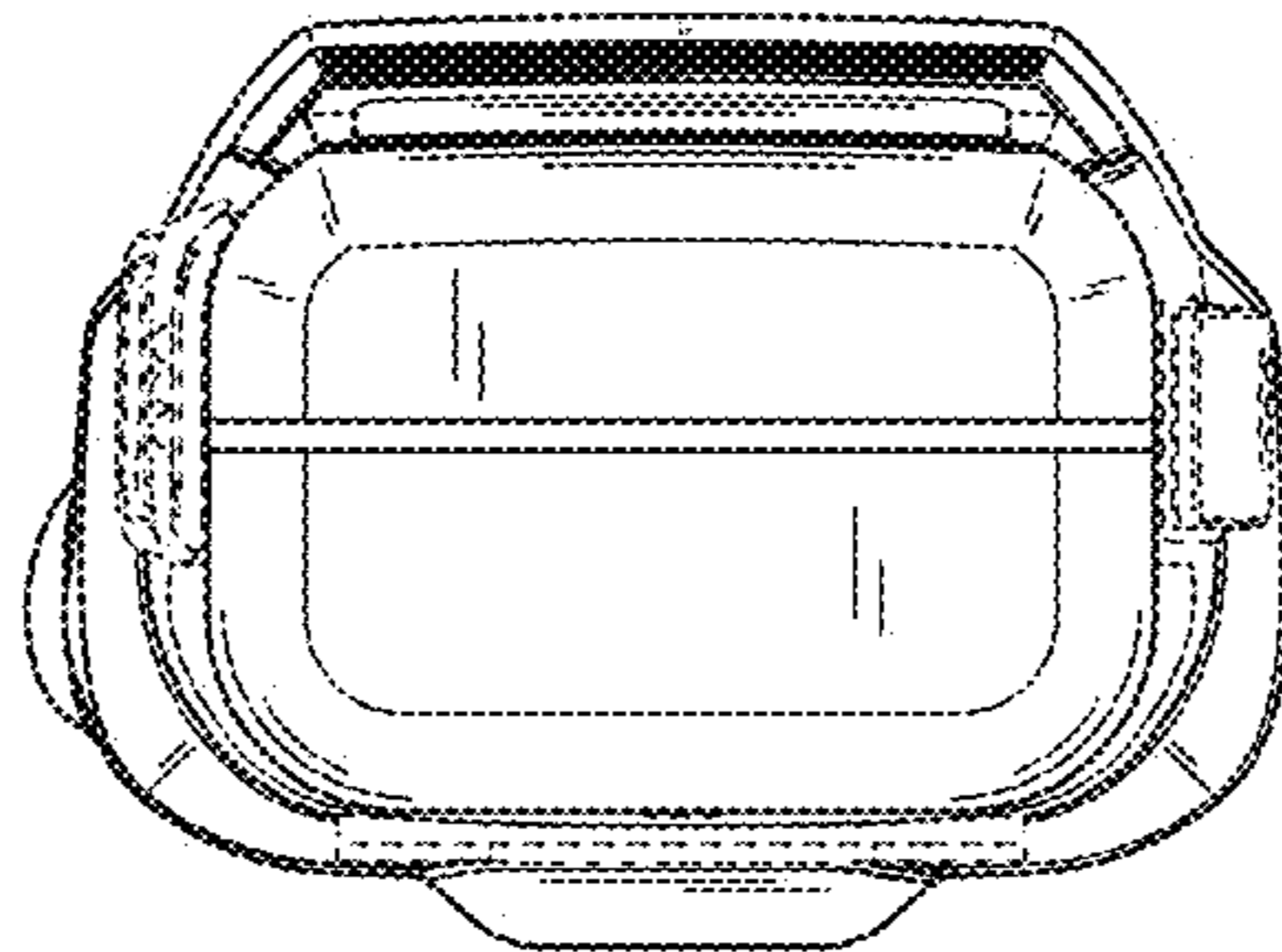


Fig.7

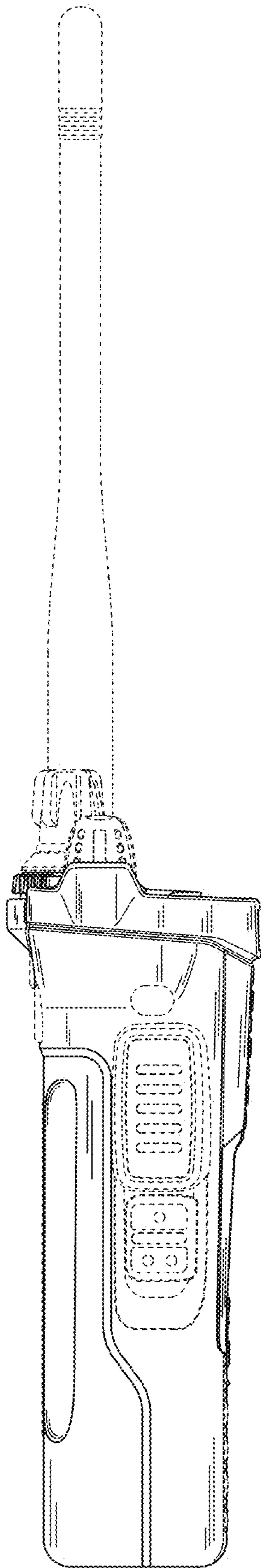


Fig.8

