



US00D984398S

(12) **United States Design Patent** (10) **Patent No.:** **US D984,398 S**
Zhu (45) **Date of Patent:** **** Apr. 25, 2023**

(54) **SET OF WIRELESS EARBUDS WITH CHARGING CASE**

(71) Applicant: **Chaoying Zhu**, Jiashan (CN)

(72) Inventor: **Chaoying Zhu**, Jiashan (CN)

(**) Term: **15 Years**

(21) Appl. No.: **29/841,340**

(22) Filed: **Jun. 6, 2022**

(30) **Foreign Application Priority Data**

Mar. 10, 2022 (CN) 202230123038.3

(51) **LOC (14) Cl.** **14-03**

(52) **U.S. Cl.**
USPC **D14/125**

(58) **Field of Classification Search**

USPC D14/125-134, 239, 371, 136, 374-377,
D14/440, 450, 448, 336, 342, 159, 137,
D14/205, 168; D21/329, 515, 577, 622,
D21/333, 433, 448, 452, 450, 331, 505;
D10/15, 26; D6/477, 479, 300; D24/185
CPC .. F16M 13/02; F16M 11/046; Y10S 248/923;
Y10S 248/917; Y10S 248/918; H05K
5/0017; H05K 5/0204; H05K 5/0004;
H05K

(Continued)

(56) **References Cited**

U.S. PATENT DOCUMENTS

D725,637 S * 3/2015 Nakajima D14/223
D864,153 S * 10/2019 Hu D14/205
D867,326 S 11/2019 Sweet et al.
D873,217 S * 1/2020 Zhang D3/294
D873,789 S * 1/2020 Hu D14/223
D886,454 S * 6/2020 Williamson D3/294

(Continued)

OTHER PUBLICATIONS

Wireless Headphones Bluetooth Earphones, first available Oct. 19, 2021, amazon.co.uk, [online], [site visited Sep. 26, 2022], Available

from internet URL: <https://www.amazon.co.uk/Headphones-Bluetooth-Waterproof-Microphone-ZINGBIRD-OCC-Black/dp/B09JSPZN1K> (Year: 2021).*

(Continued)

Primary Examiner — Samantha Q Lawrence

Assistant Examiner — Holly M Rodriguez

(74) *Attorney, Agent, or Firm* — Rumit Ranjit Kanakia

(57) **CLAIM**

The ornamental design for a set of wireless earbuds with charging case, as shown and described.

DESCRIPTION

FIG. 1 is a front perspective view of a set of wireless earbuds with charging case showing my new design;

FIG. 2 is a front perspective view thereof, shown in an alternate state;

FIG. 3 is a perspective view of the first element of a set of wireless earbuds with charging case, shown separately for ease of illustration;

FIG. 4 is a front view thereof;

FIG. 5 is a back view thereof;

FIG. 6 is a left view thereof;

FIG. 7 is a right view thereof;

FIG. 8 is a top view thereof;

FIG. 9 is a bottom view thereof;

FIG. 10 is a back perspective view thereof;

FIG. 11 is a front perspective view of the second element of a set of wireless earbuds with charging case, shown separately for ease of illustration;

FIG. 12 is a back perspective thereof;

FIG. 13 is a front view thereof;

FIG. 14 is a back view thereof;

FIG. 15 is a left view thereof;

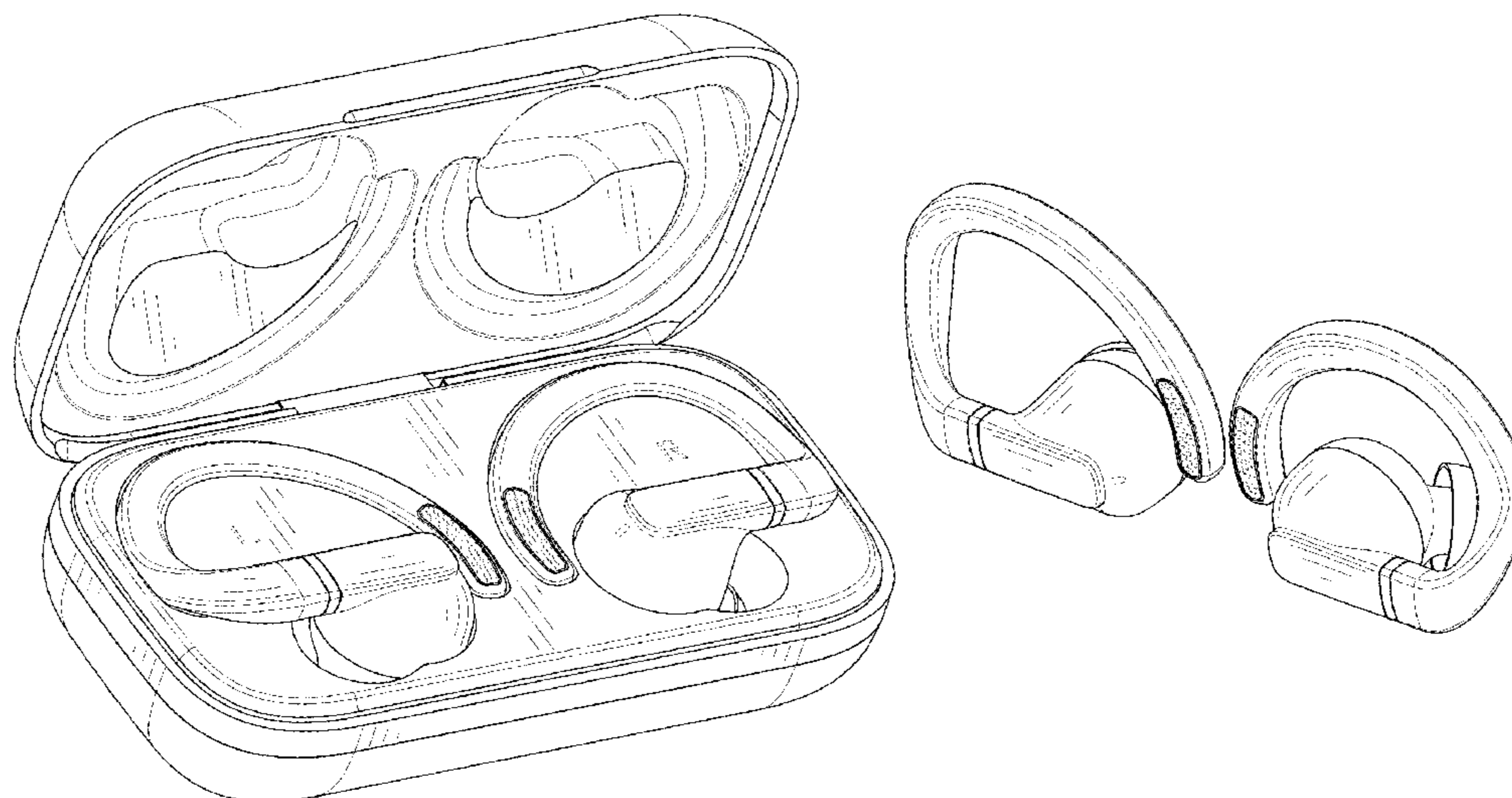
FIG. 16 is a right view thereof;

FIG. 17 is a top view thereof; and,

FIG. 18 is a bottom perspective thereof.

The broken lines shown in the drawings depict portions of the set of wireless earbuds with charging case that form no part of the claimed design.

1 Claim, 18 Drawing Sheets



- (58) **Field of Classification Search**
 CPC 5/02; H05K 5/0217; G06F 1/1601; G06F
 1/1643
 See application file for complete search history.

(56) **References Cited**

U.S. PATENT DOCUMENTS

D886,455	S *	6/2020	Williamson	D3/294
D894,123	S *	8/2020	Xiong	D14/223
D897,997	S *	10/2020	Zhang	D14/223
D908,084	S *	1/2021	He	D3/294
D916,055	S *	4/2021	Xiao	D14/223
D931,206	S *	9/2021	Briggs	D3/294
D931,210	S *	9/2021	Lee	D3/294
D953,265	S *	5/2022	Birger	D14/223
D958,147	S *	7/2022	Vautour	D14/440
2022/0095032	A1 *	3/2022	Yang	H04R 1/1016
2022/0192335	A1 *	6/2022	Maguire	A45C 13/1069

OTHER PUBLICATIONS

Cascho Wireless Earbuds, Bluetooth 5.3 Headphones, first available Feb. 26, 2022, amazon.co.uk, [online], [site visited Sep. 26, 2022],

Available from internet URL: https://www.amazon.co.uk/dp/B09TFJY3W/ref=sspa_dk_detail_8?psc=1&pd_rd_i=B09TFJY3W&pd_rd_w=Y29IP&content-id=amzn1.sym.8d91a06c%E2%80%A6 (Year: 2022).*

Skullcandy Push Active True Wireless In-Ear Earbuds, first available Feb. 19, 2021 amazon.co.uk, amazon.com, [online], [site visited Sep. 26, 2022], Available from internet URL: <https://www.amazon.co.uk/dp/B08X12YLZK/> (Year: 2021).*

Apekx Bluetooth Headphones True Wireless Earbuds with Charging Case IPX7 , first available May 14, 2020, amazon.com, [online], [site visited Feb. 6, 2022], Available from internet URL: <https://www.amazon.co.uk/dp/B0876349QT/> (Year: 2020).*

JLab Epic Air Sport ANC Noise Cancelling Earbuds, first available Dec. 9, 2020, amazon.co.uk, [online], [site visited Sep. 26, 2022], Available from internet URL: <https://www.amazon.co.uk/dp/B08KFPPJ3Y/> (Year: 2020).*

Wireless Earbuds, Wireless Headphones Sport Bluetooth 5.3 Headphones In Ear with Dual Mic, first available Apr. 6, 2022, amazon.co.uk, [online], [site visited Sep. 26, 2022], Available from internet URL: <https://www.amazon.co.uk/dp/B09X9FY8CL/> (Year: 2022).*

* cited by examiner

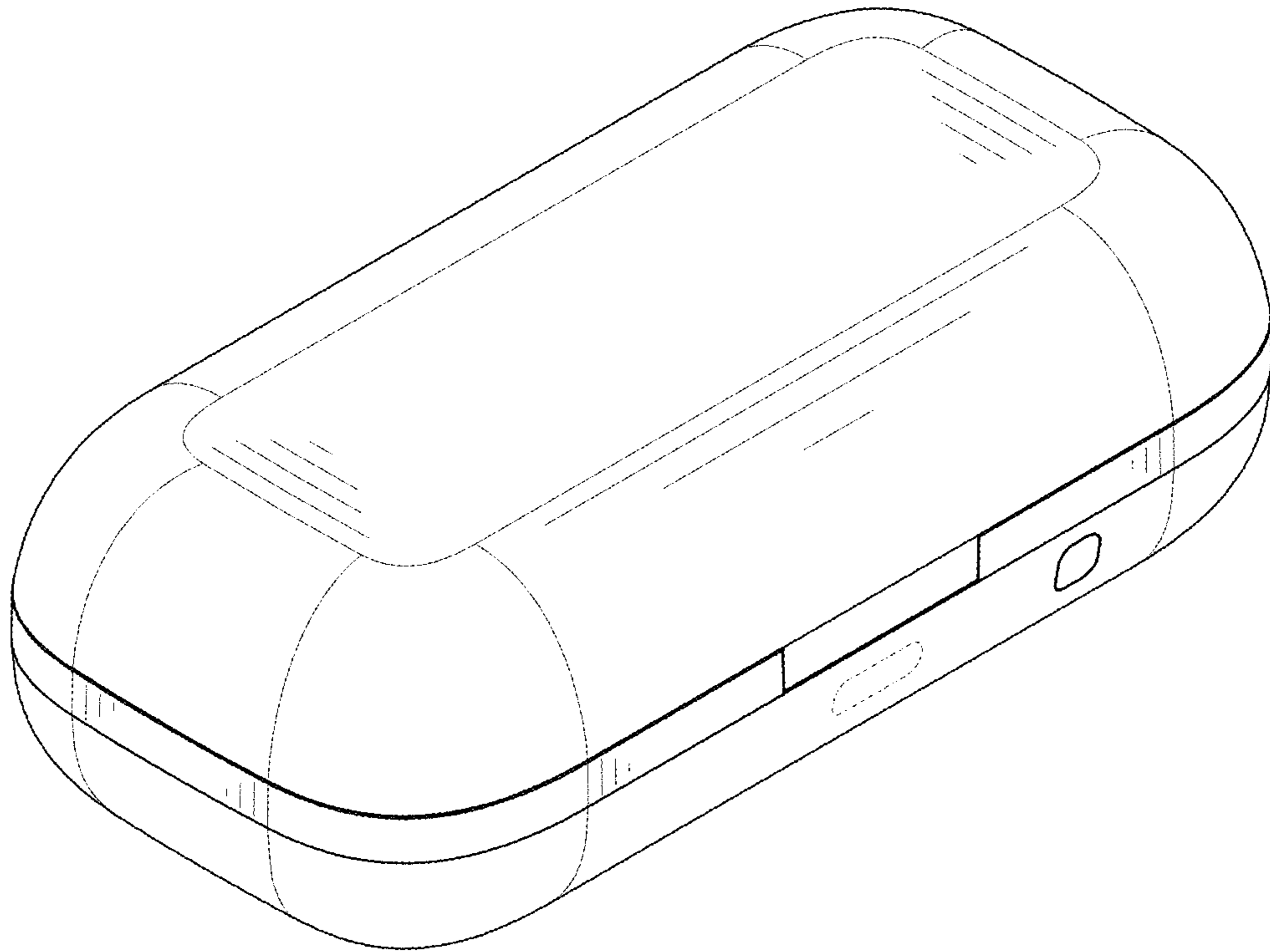


FIG. 1

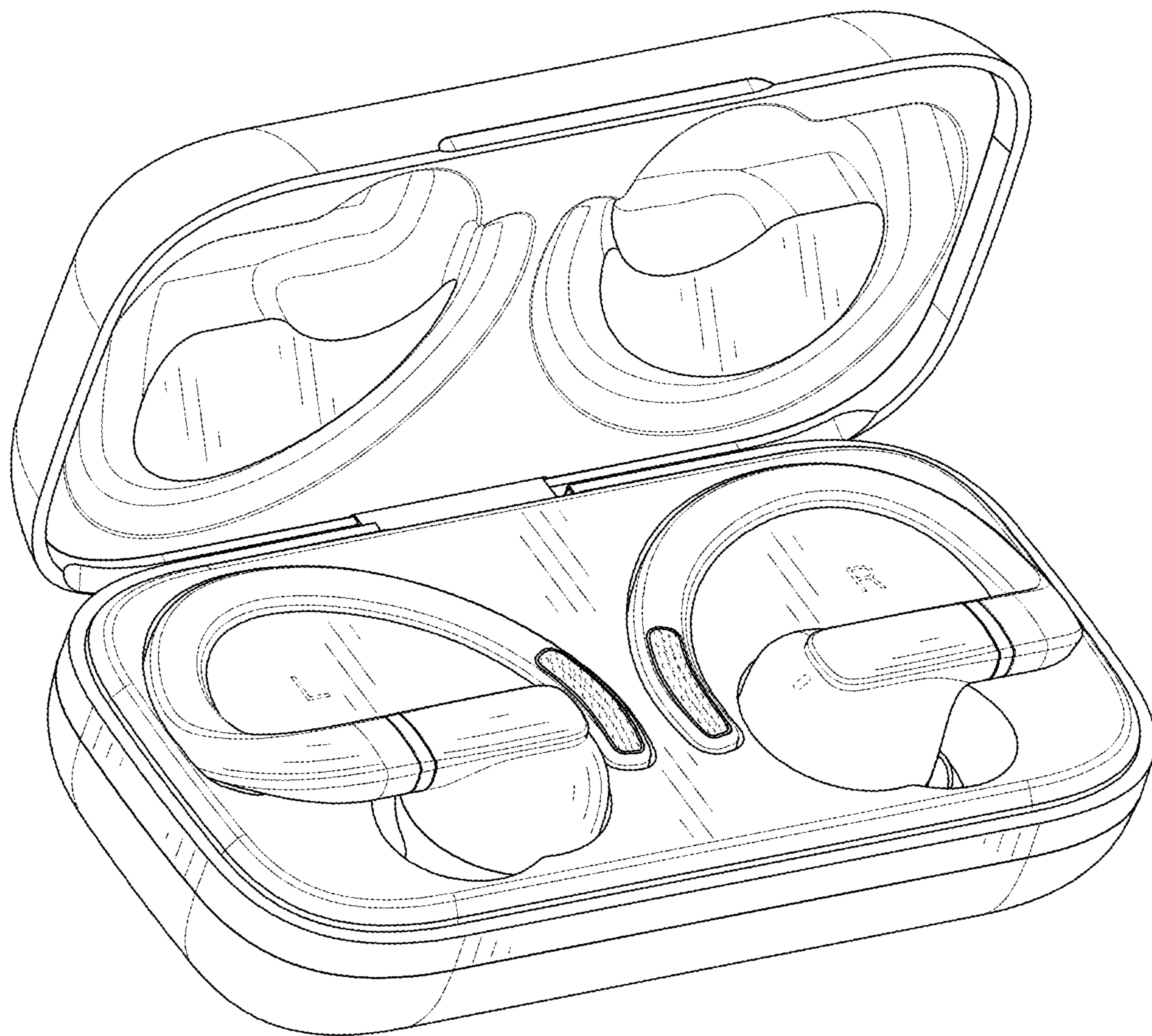


FIG. 2

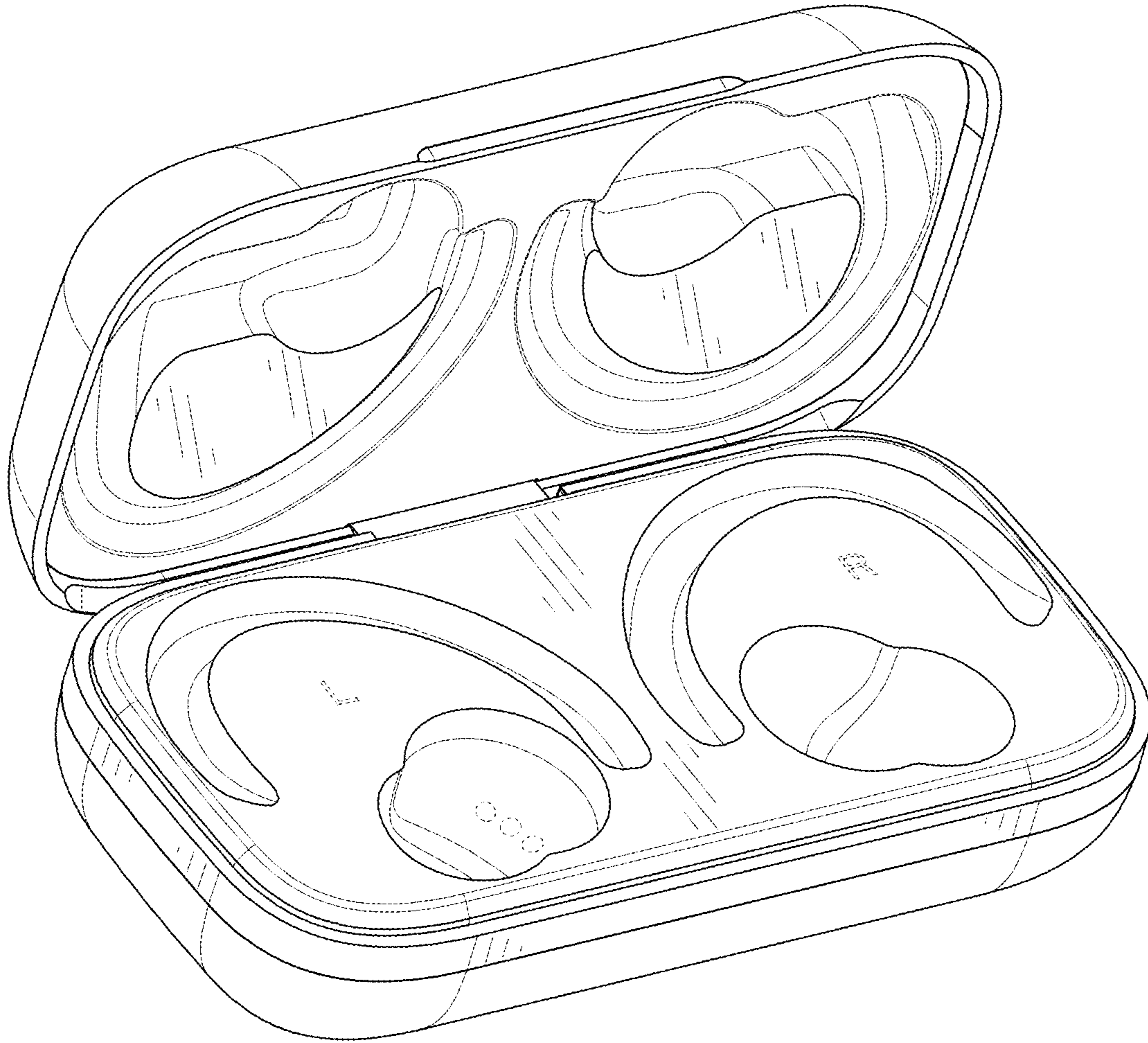


FIG. 3

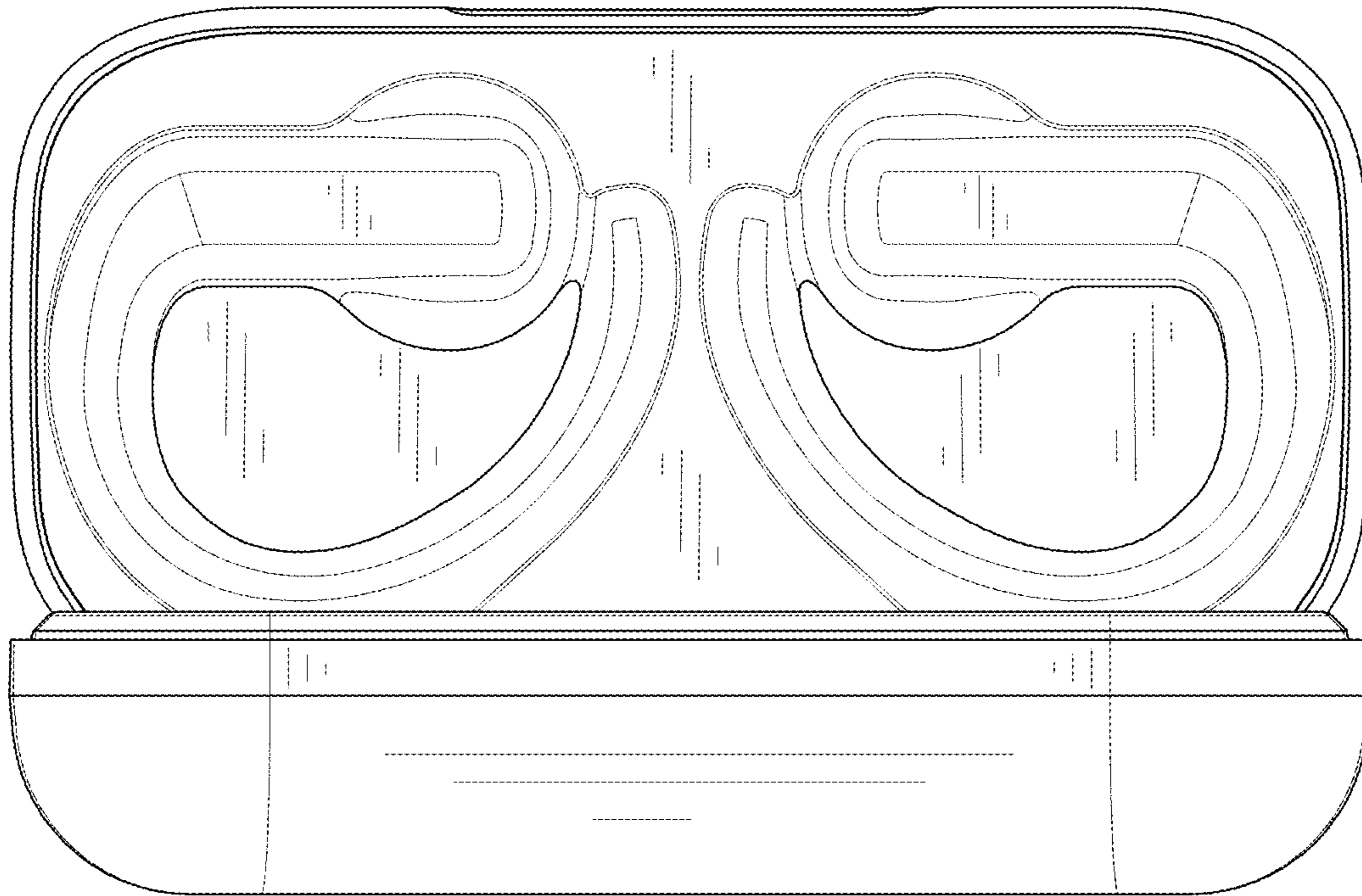


FIG. 4

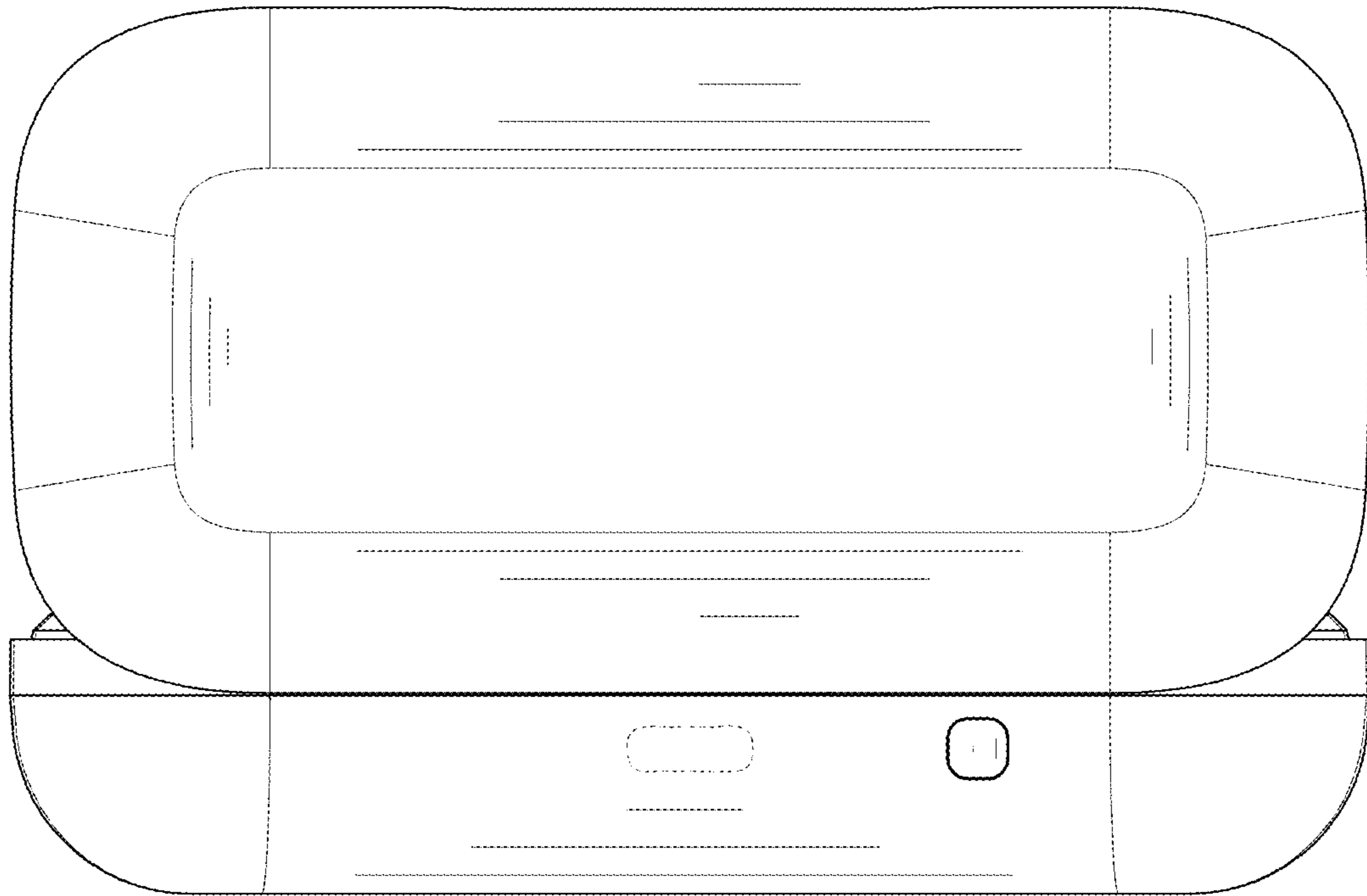


FIG. 5

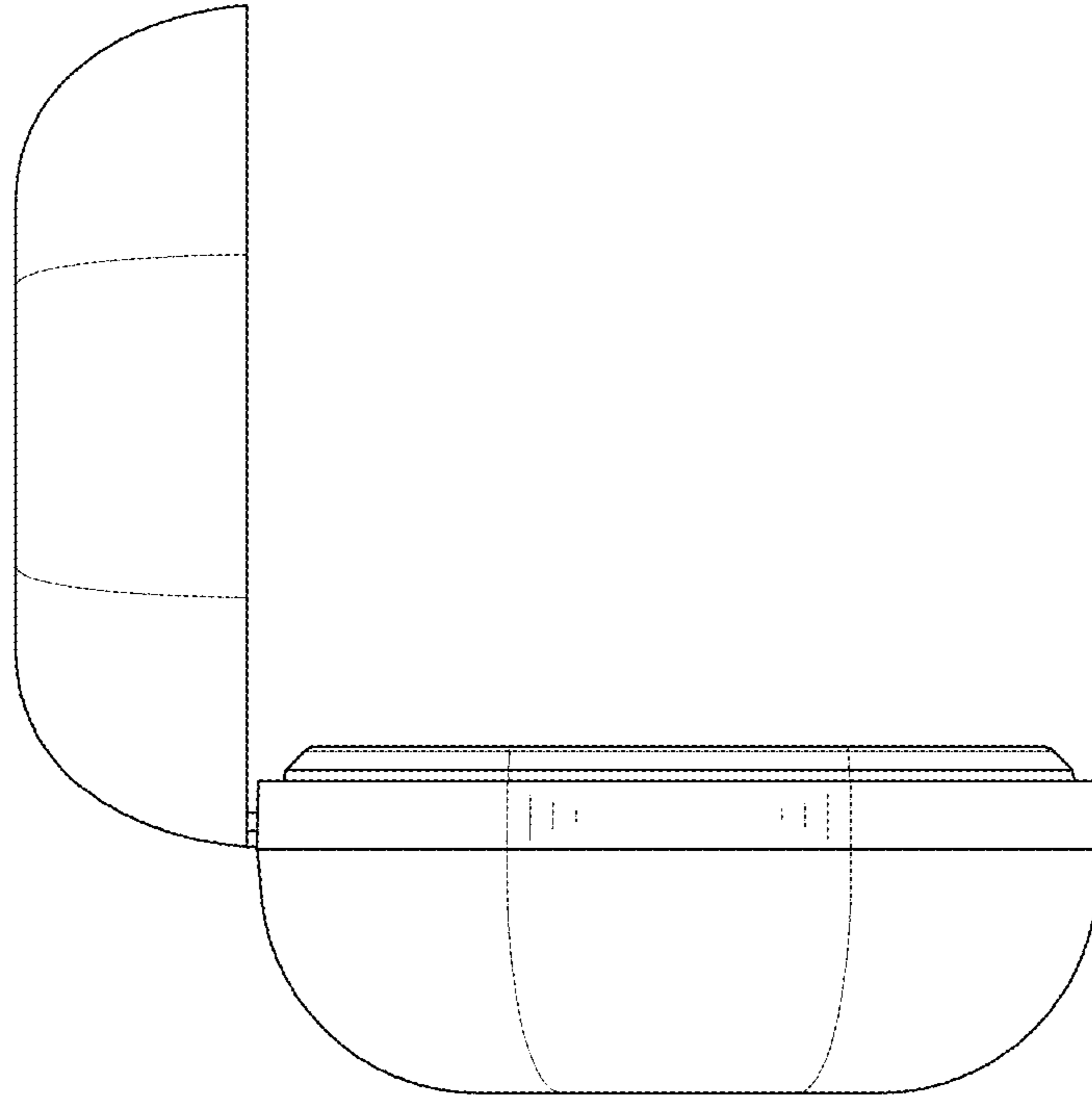


FIG. 6

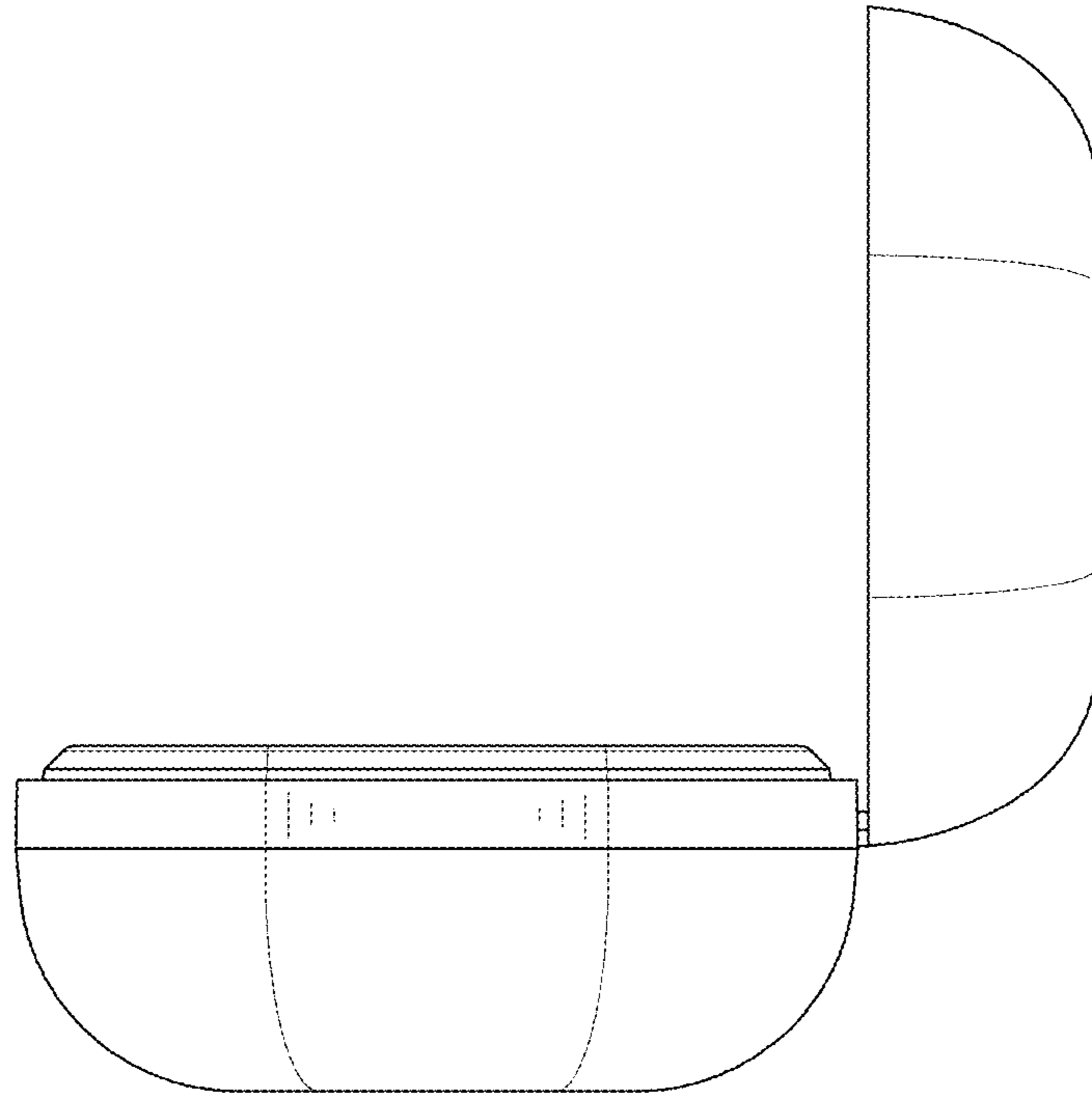


FIG. 7

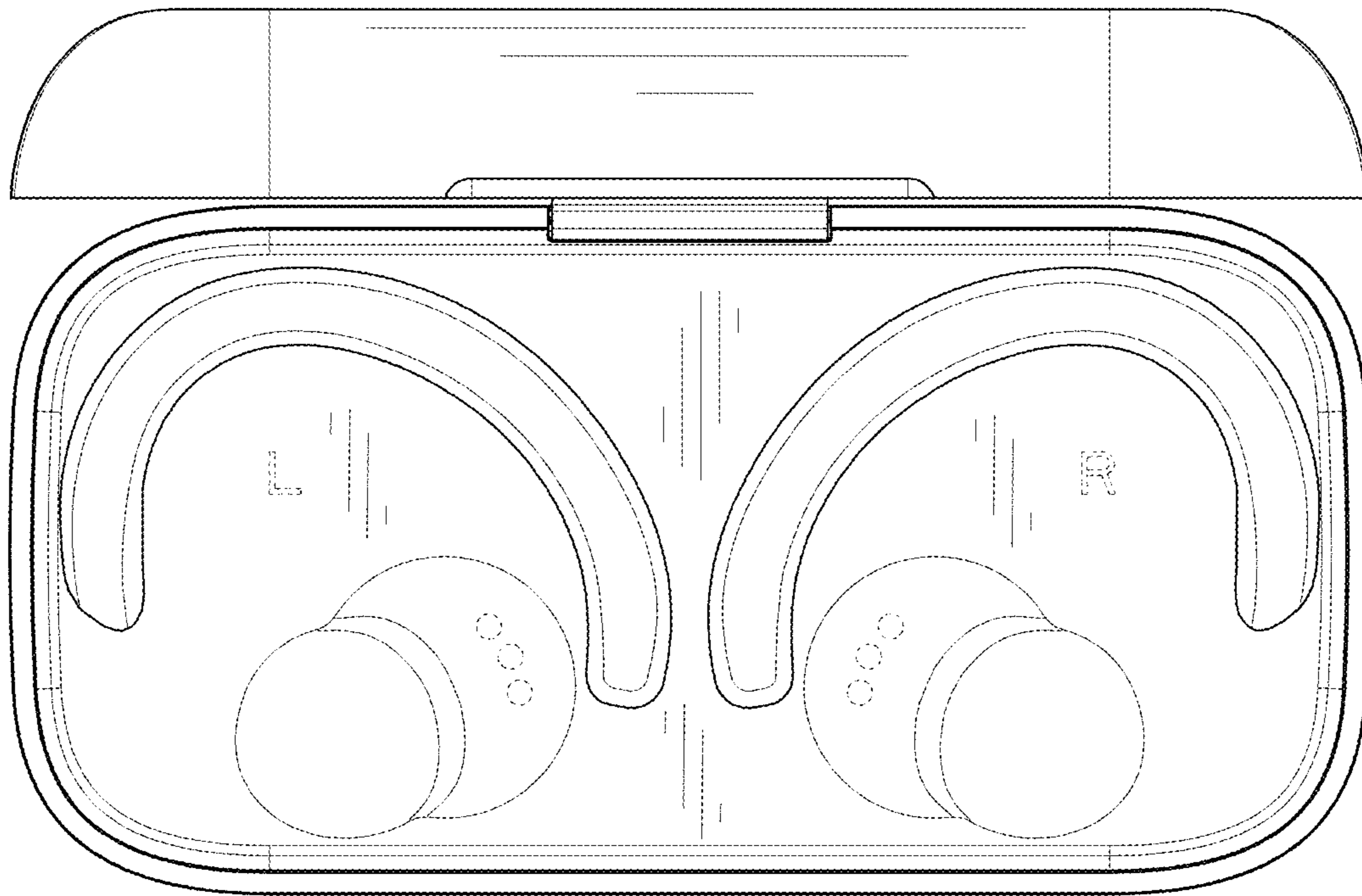


FIG. 8

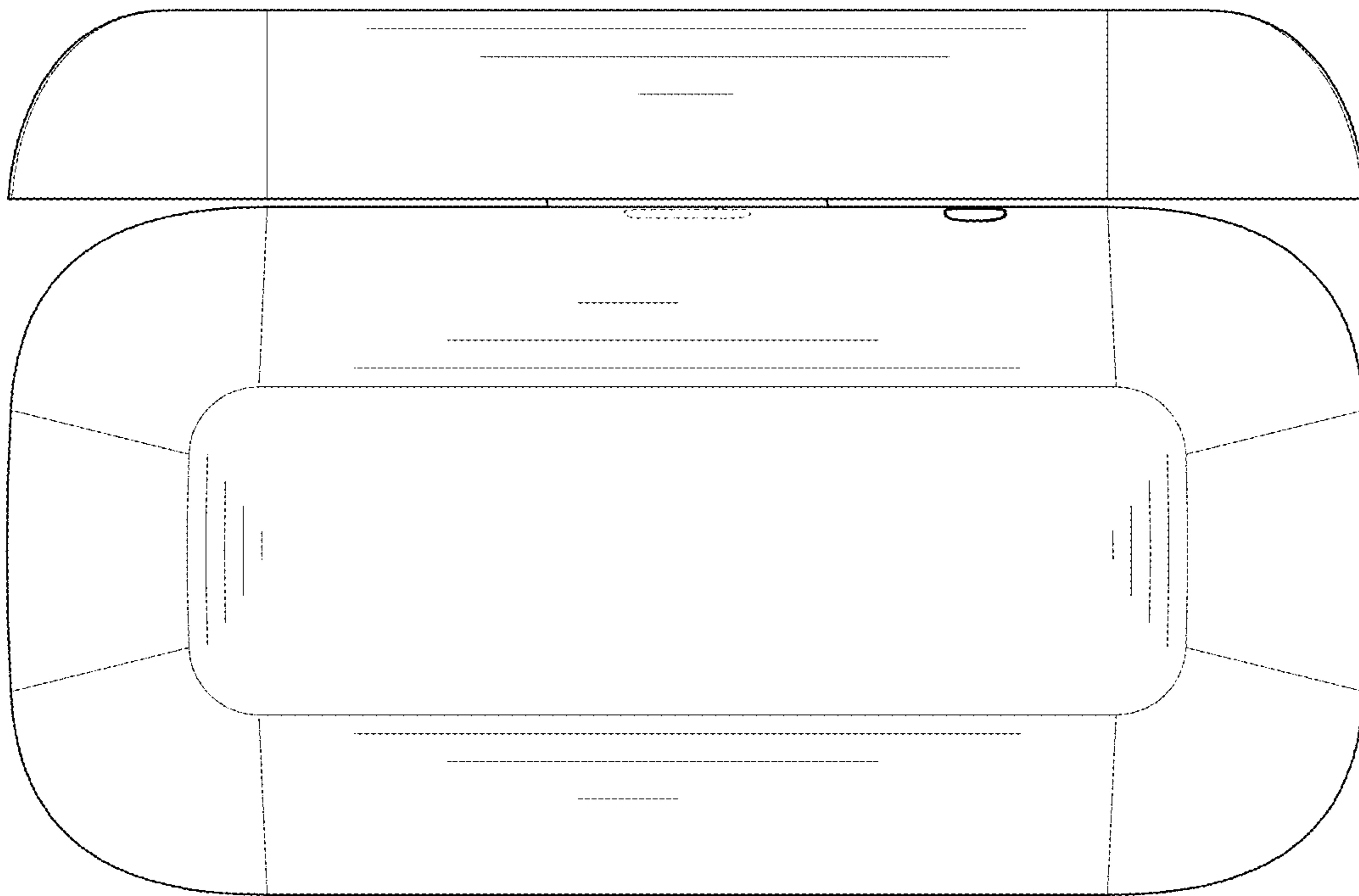


FIG. 9

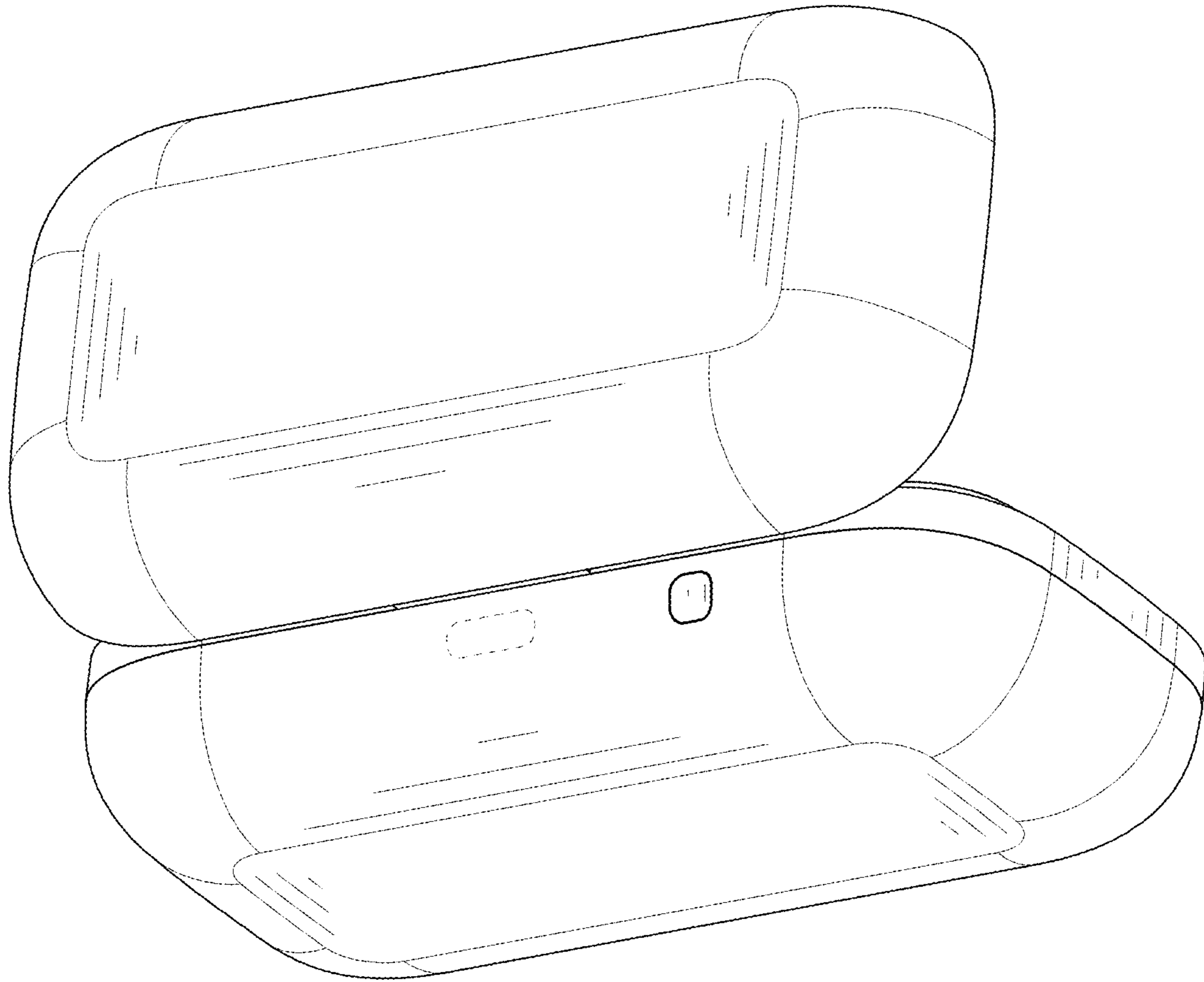


FIG. 10

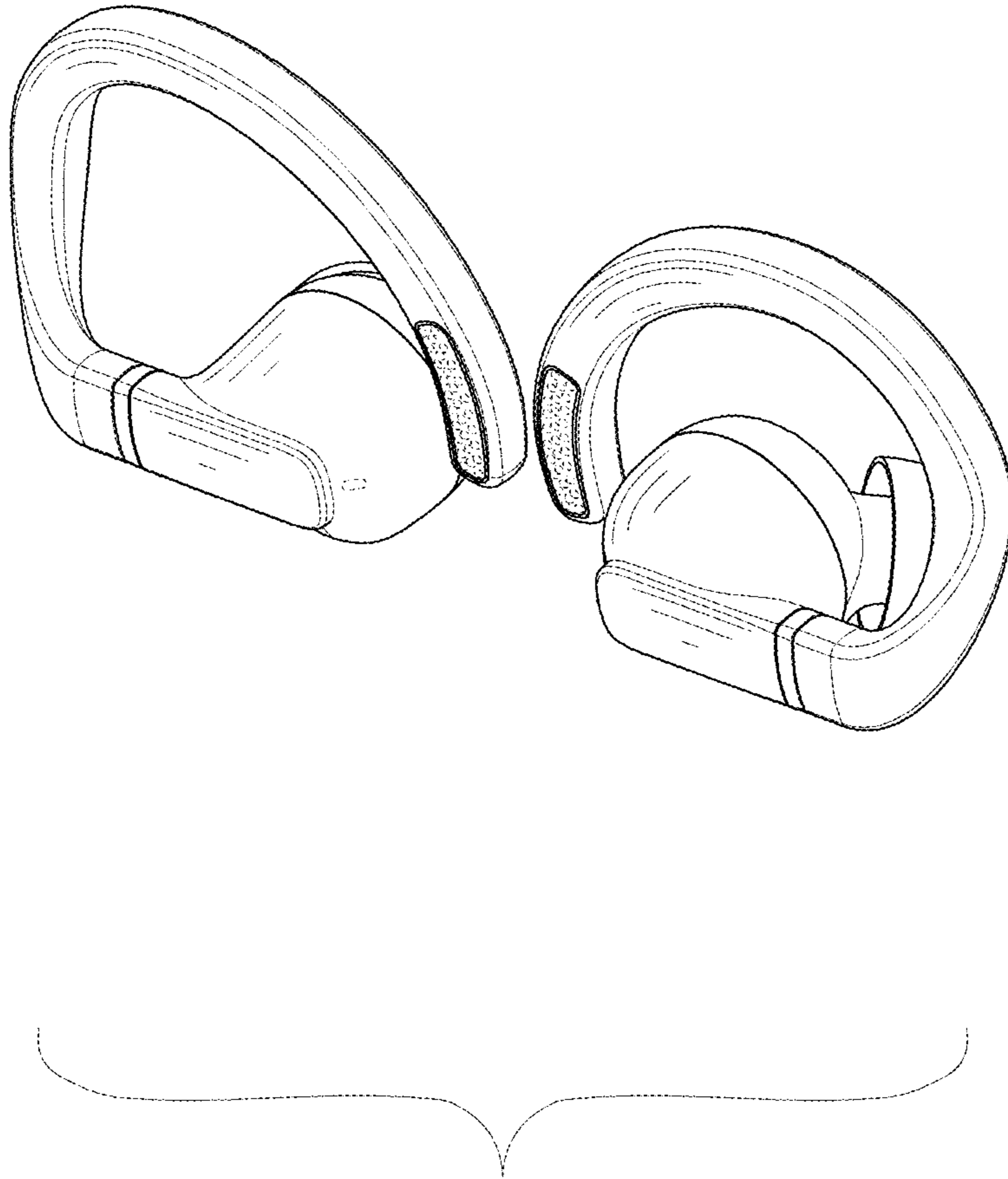


FIG. 11

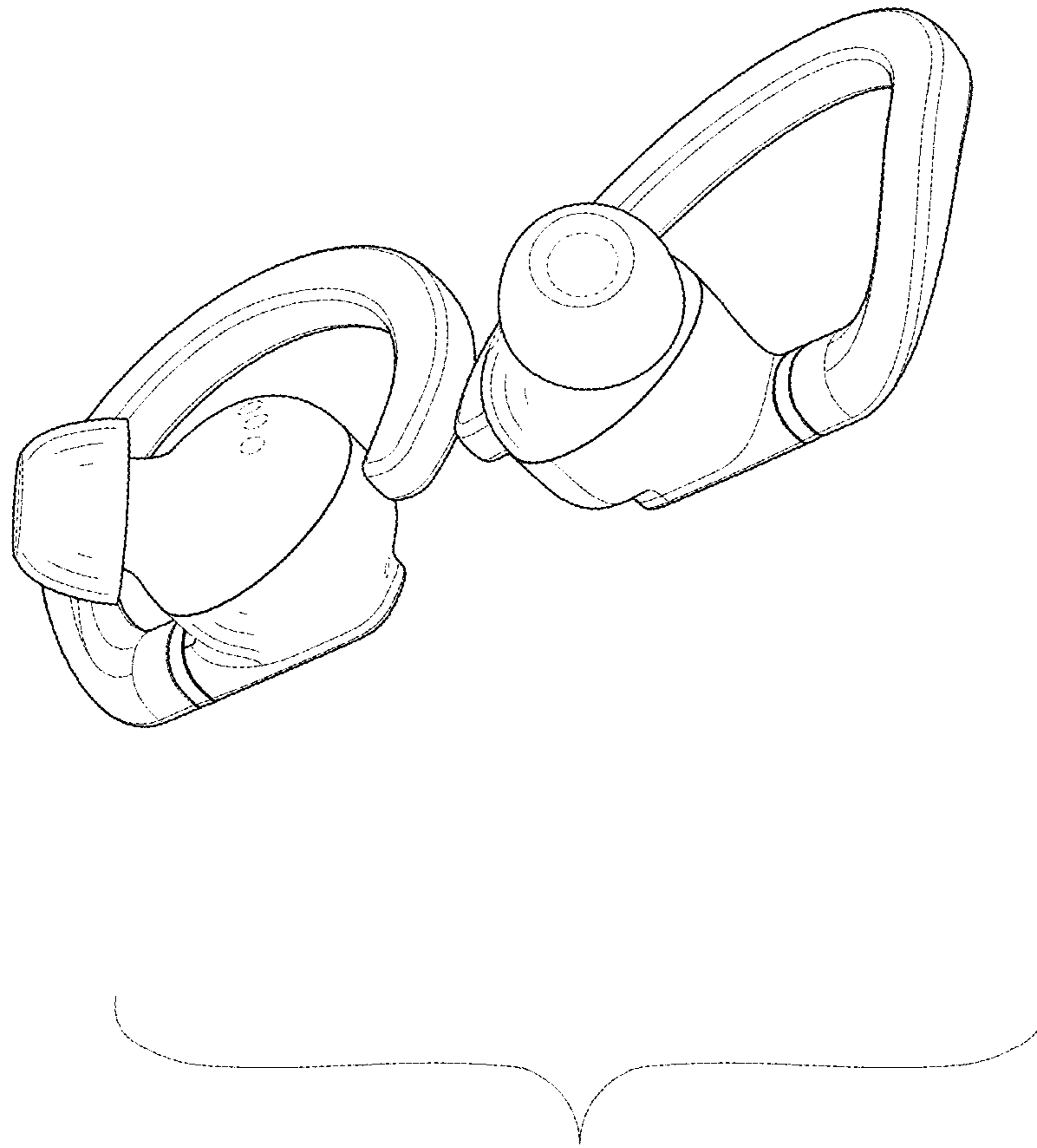


FIG. 12

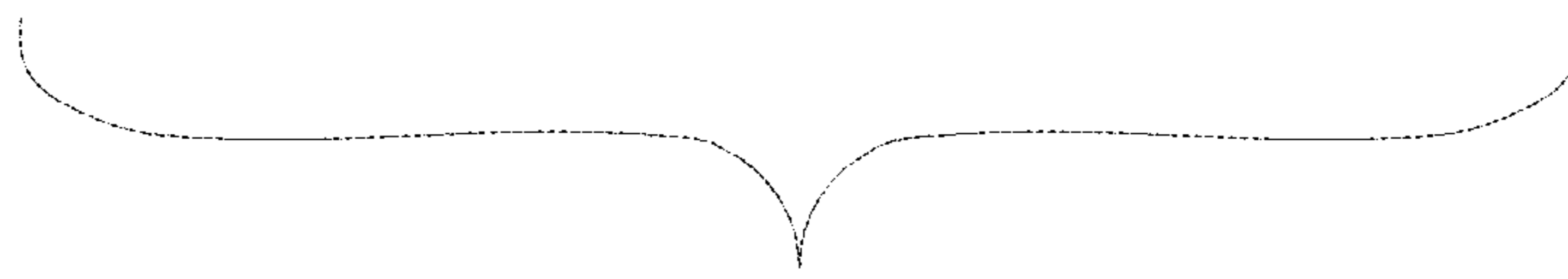
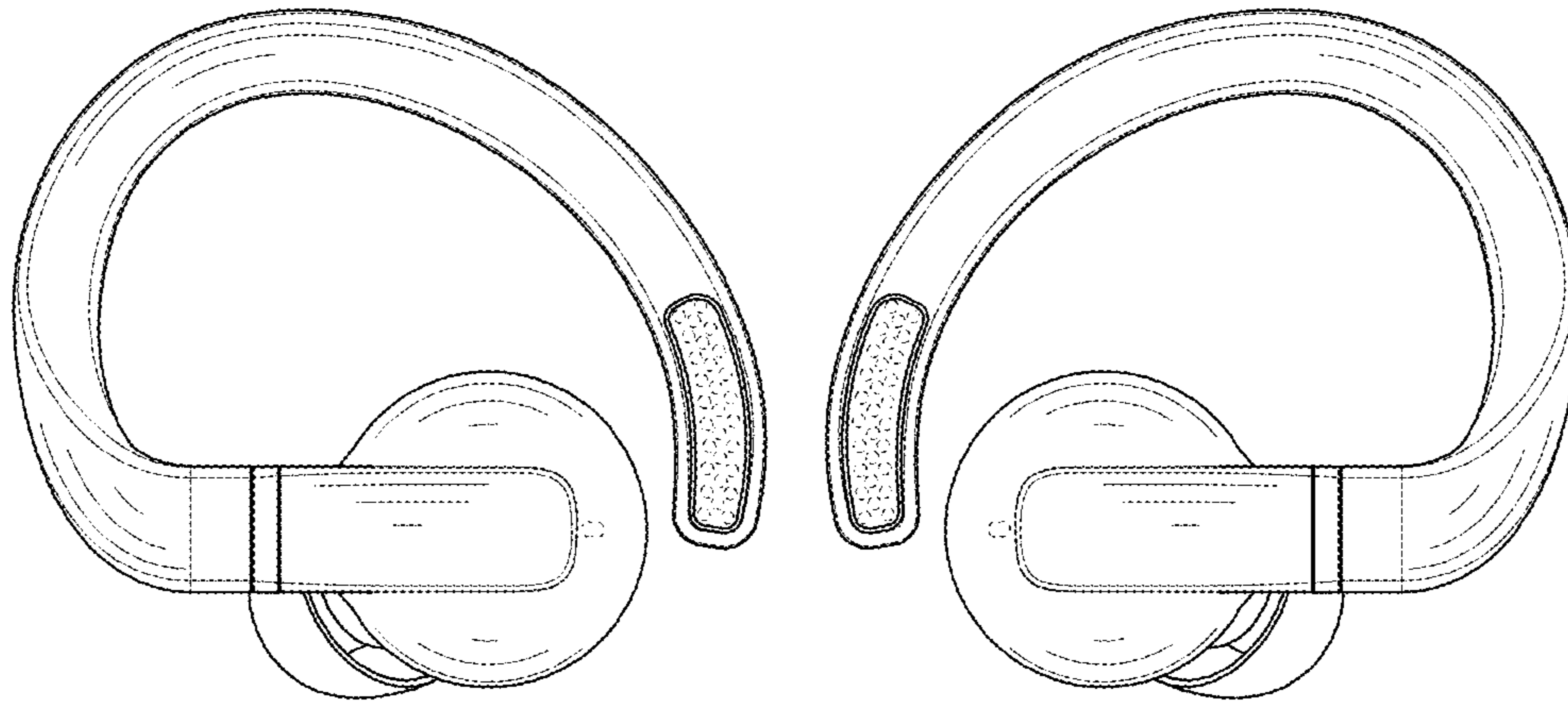


FIG. 13

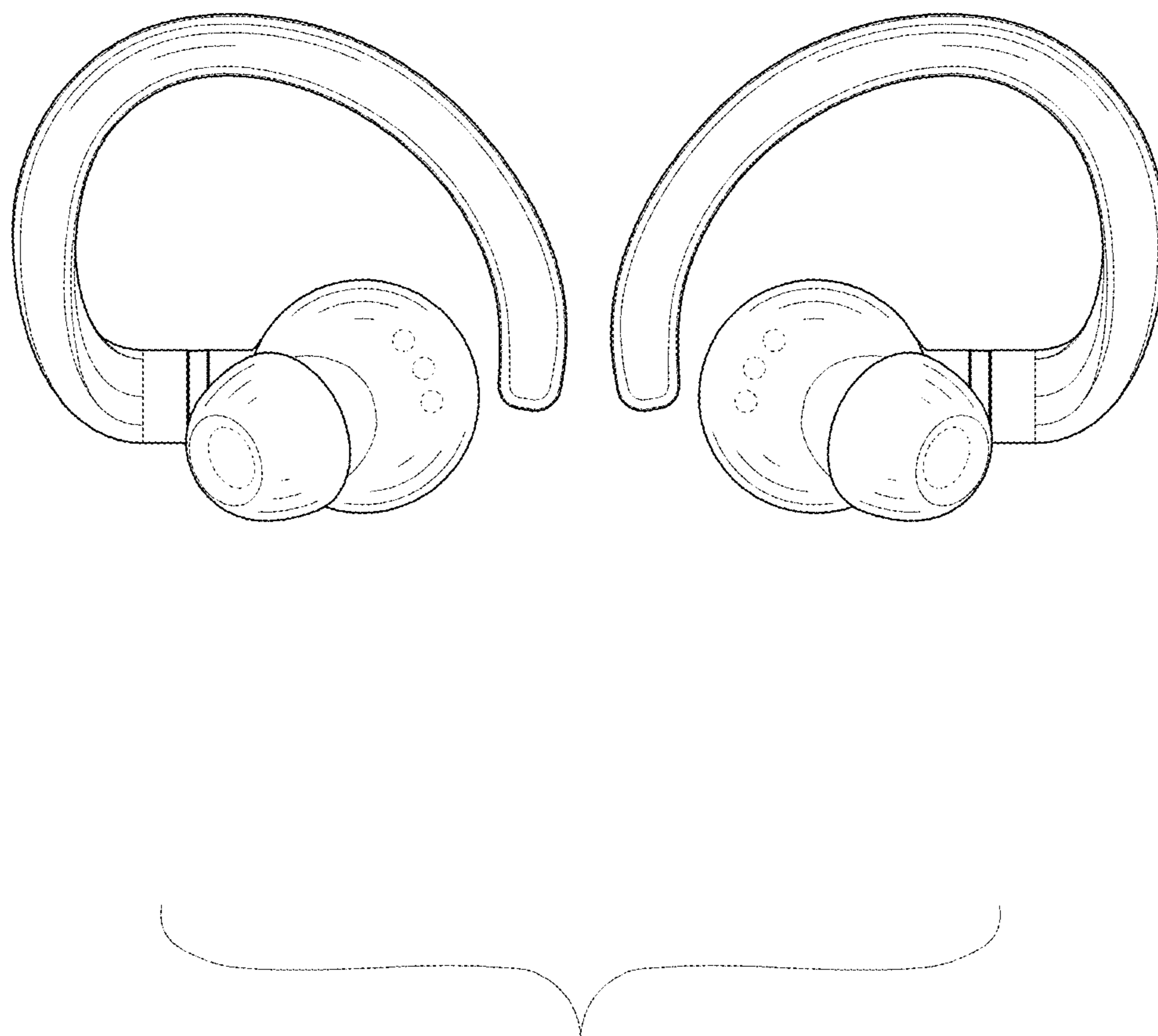


FIG. 14

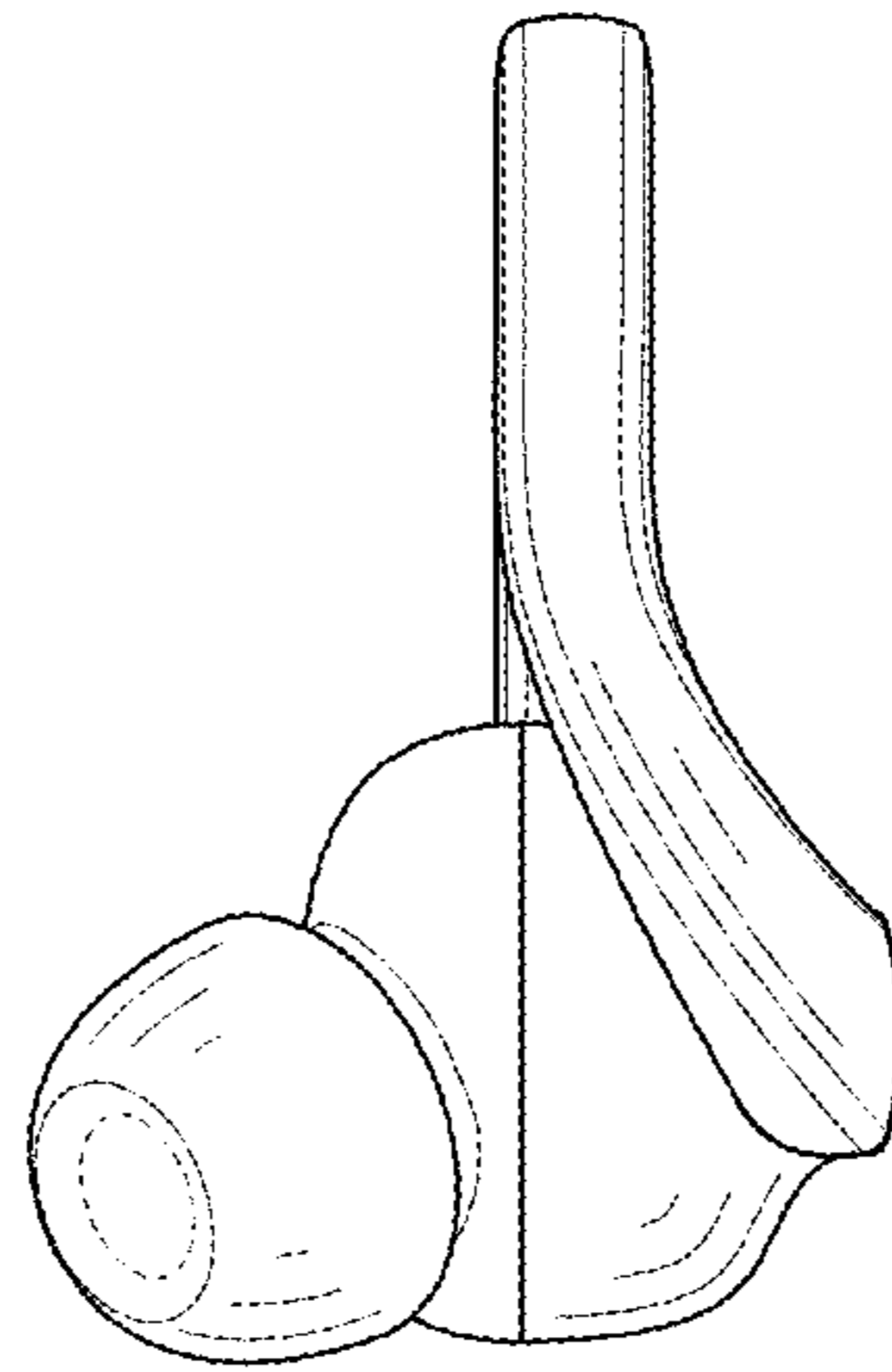


FIG. 15

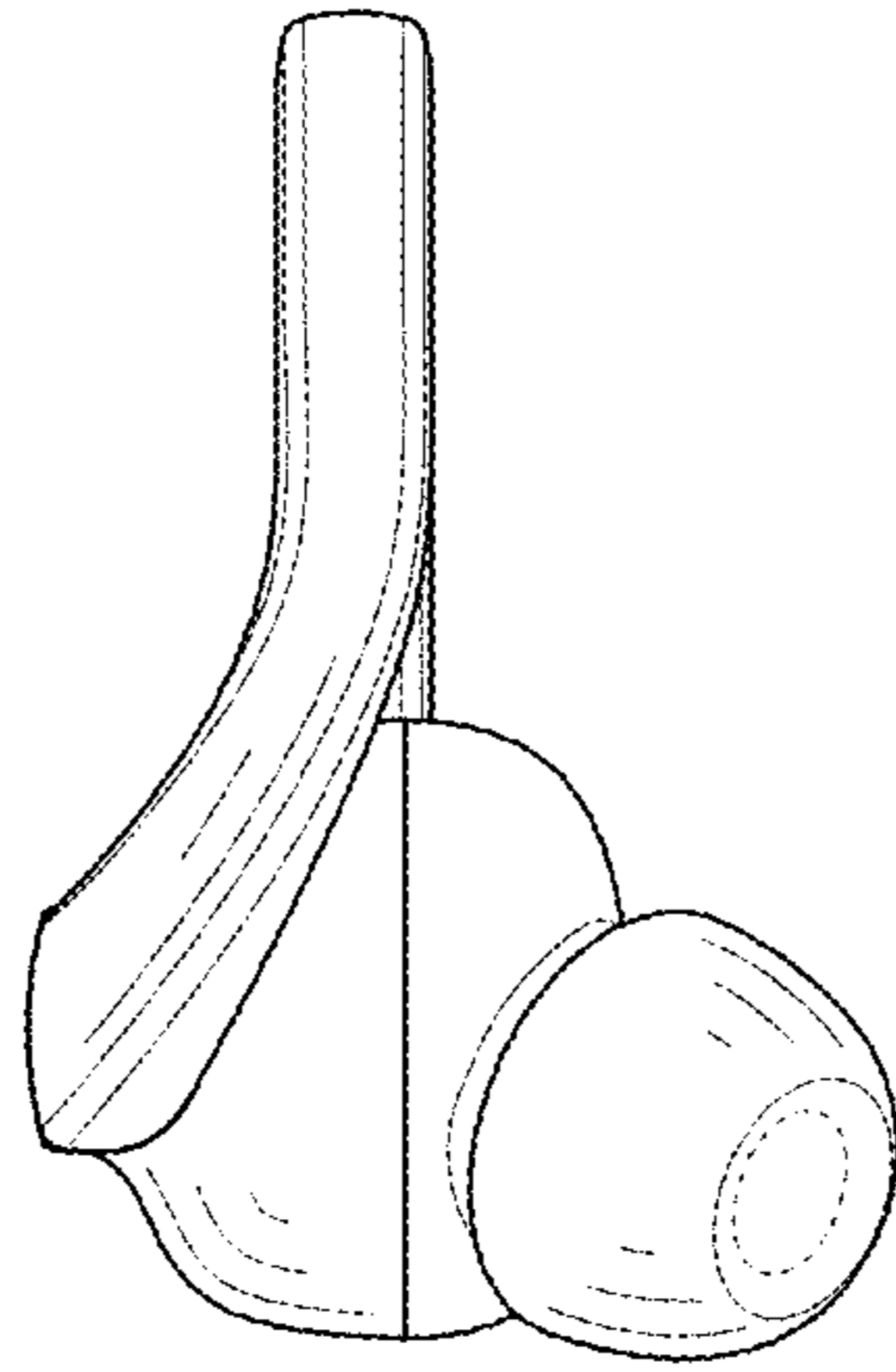


FIG. 16

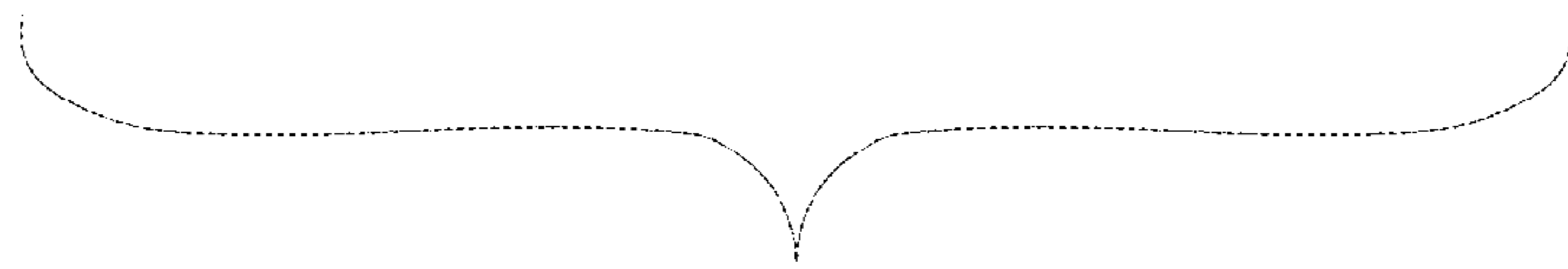
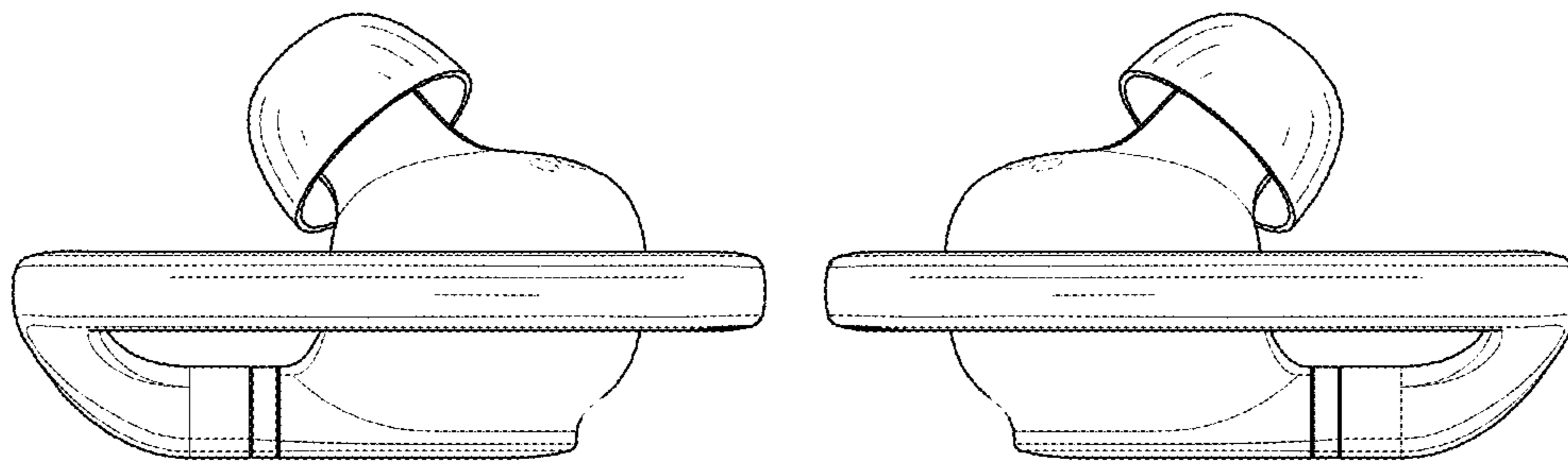


FIG. 17

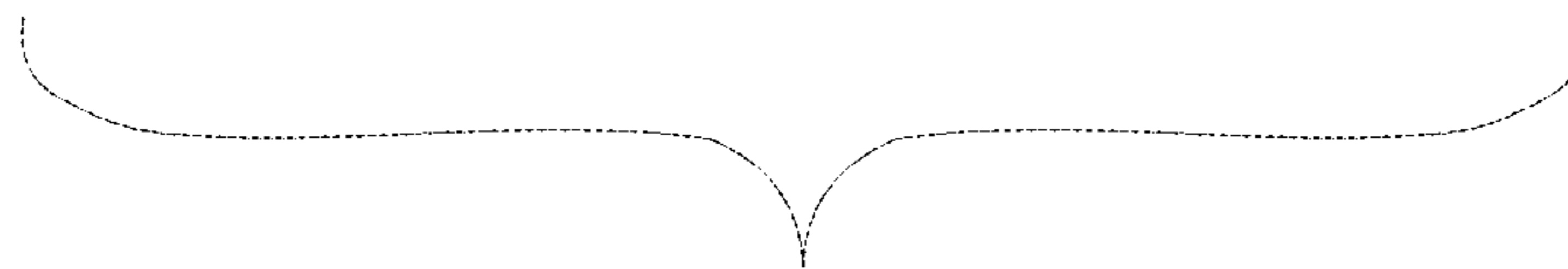
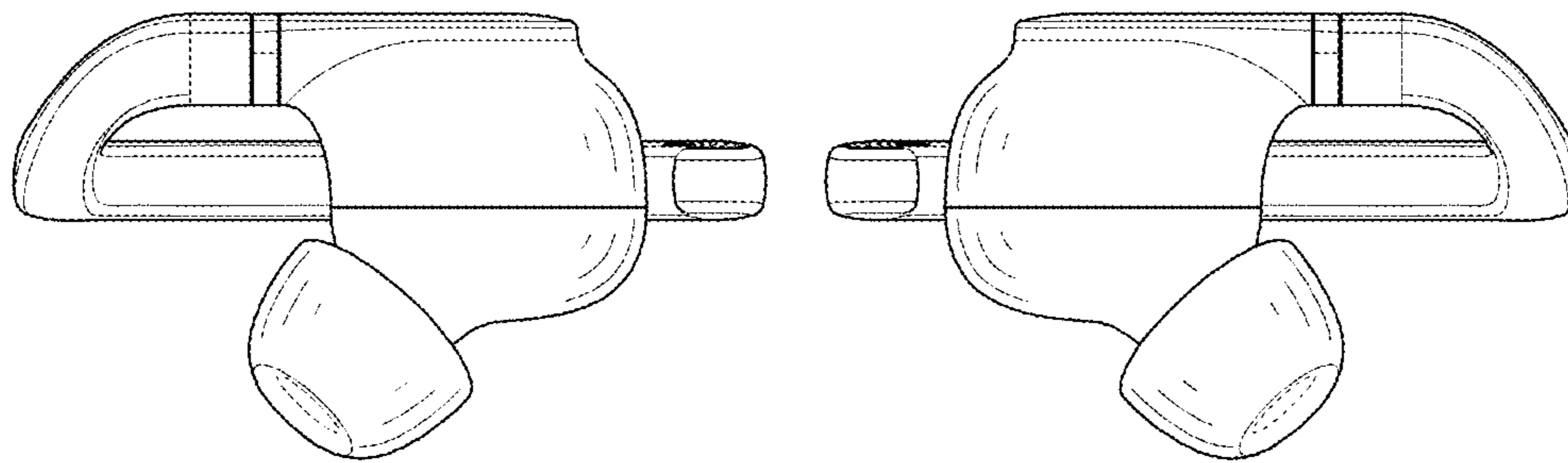


FIG. 18