



US00D984395S

(12) **United States Design Patent**
Zhang

(10) **Patent No.:** **US D984,395 S**

(45) **Date of Patent:** **** Apr. 25, 2023**

(54) **LIGHT CONTROLLER**

(71) Applicant: **SHENZHEN HENGHE
OPTOELECTRONICS CO., LTD,**
Shenzhen (CN)

(72) Inventor: **Shengyuan Zhang, Shanwei (CN)**

(**) Term: **15 Years**

(21) Appl. No.: **29/781,023**

(22) Filed: **Apr. 28, 2021**

(51) **LOC (14) Cl.** **14-03**

(52) **U.S. Cl.**
USPC **D13/168**

(58) **Field of Classification Search**
USPC D13/102, 110, 158, 162, 168, 171, 184;
D10/40, 49, 104.1, 106.6; D14/218,
D14/356-358, 433, 435.1, 480, 480.1,
D14/480.3, 480.5, 480.7
CPC G08C 17/02; G09F 23/00; H01H 9/02;
H01H 9/0214; H01H 9/0235; H04B
1/202; F21S 4/00; F21S 4/10; F21S 4/20;
H05K 5/0278; G06F 13/4045
See application file for complete search history.

(56) **References Cited**

U.S. PATENT DOCUMENTS

D463,426	S	*	9/2002	Cheng	D14/480.1
D524,817	S	*	7/2006	Conley	D14/480.5
D541,796	S	*	5/2007	Chen	D14/480.7
D541,797	S	*	5/2007	Chen	D14/480.7
D547,758	S	*	7/2007	Ho	D14/480.7
D558,783	S	*	1/2008	Andre	D14/496
D576,619	S	*	9/2008	Udagawa	D14/435.1
D579,934	S	*	11/2008	Okamoto	D14/435.1
D591,758	S	*	5/2009	Lee	D14/480.7
D638,806	S	*	5/2011	Kim	D13/168
D650,391	S	*	12/2011	Liang	D14/242
8,308,494	B1	*	11/2012	Zhao	H05K 5/0278 439/131

D796,484	S	*	9/2017	Chen	D14/218
D798,307	S	*	9/2017	Otsuka	D14/480.1
D813,234	S	*	3/2018	Nadler	D14/388
D822,643	S	*	7/2018	Chen	D14/218
D840,954	S	*	2/2019	Wu	D13/168
D886,824	S	*	6/2020	Zhan	D14/433
D910,580	S	*	2/2021	Zhu	D13/168
D916,034	S	*	4/2021	Shi	D14/218
D923,588	S	*	6/2021	Zhu	D13/168
D940,667	S	*	1/2022	Bi	D14/218
2003/0183698	A1	*	10/2003	Wu	H05K 5/0278 235/492
2003/0233519	A1	*	12/2003	Chien	G06F 13/4045 711/115
2007/0076382	A1	*	4/2007	Ni	G11B 33/12 361/752
2007/0111583	A1	*	5/2007	Cuellar	H05K 5/0278 439/353

(Continued)

Primary Examiner — Selina Sikder

(74) *Attorney, Agent, or Firm* — Daniel M. Cohn;
Howard M. Cohn

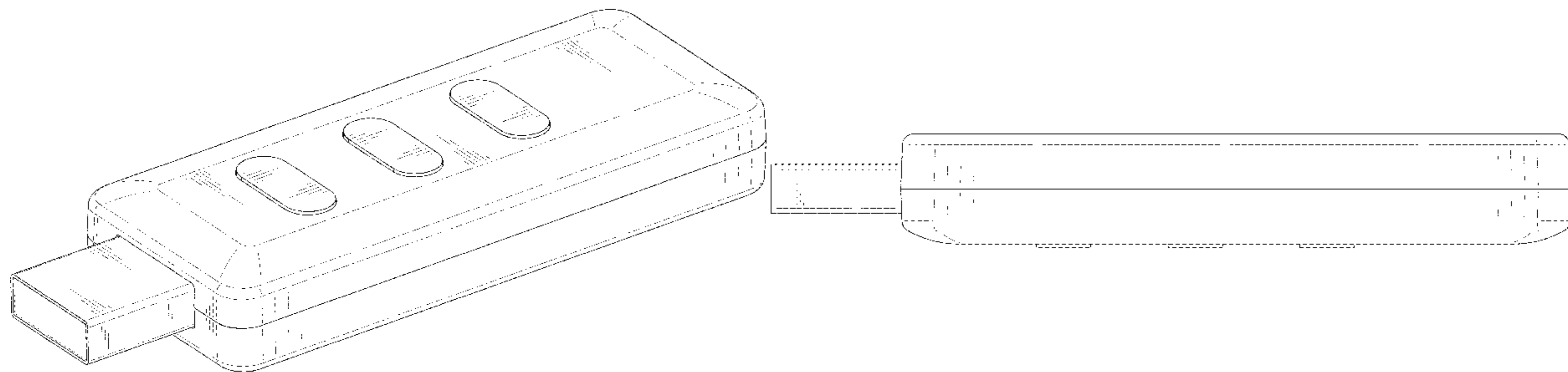
(57) **CLAIM**

The ornamental design for a light controller, as shown and described.

DESCRIPTION

FIG. 1 is a perspective view of a light controller showing my new design;
FIG. 2 is another perspective view thereof;
FIG. 3 is a front elevational view thereof;
FIG. 4 is a rear elevational view thereof;
FIG. 5 is a left side elevational view thereof;
FIG. 6 is a right side elevational view thereof;
FIG. 7 is a top plan view thereof; and,
FIG. 8 is a bottom plan view thereof.
The broken lines in the drawings depict portions of the light controller that form no part of the claimed design.

1 Claim, 8 Drawing Sheets



(56)

References Cited

U.S. PATENT DOCUMENTS

2008/0144270 A1* 6/2008 Dal Porto H05K 5/0278
361/679.34
2010/0008077 A1* 1/2010 Ponamar F21S 4/10
362/183
2011/0128705 A1* 6/2011 Chang H05K 5/0278
165/185
2012/0225569 A1* 9/2012 Zhang G06K 19/07732
439/55
2015/0293565 A1* 10/2015 Chen H05K 5/0278
361/679.32

* cited by examiner

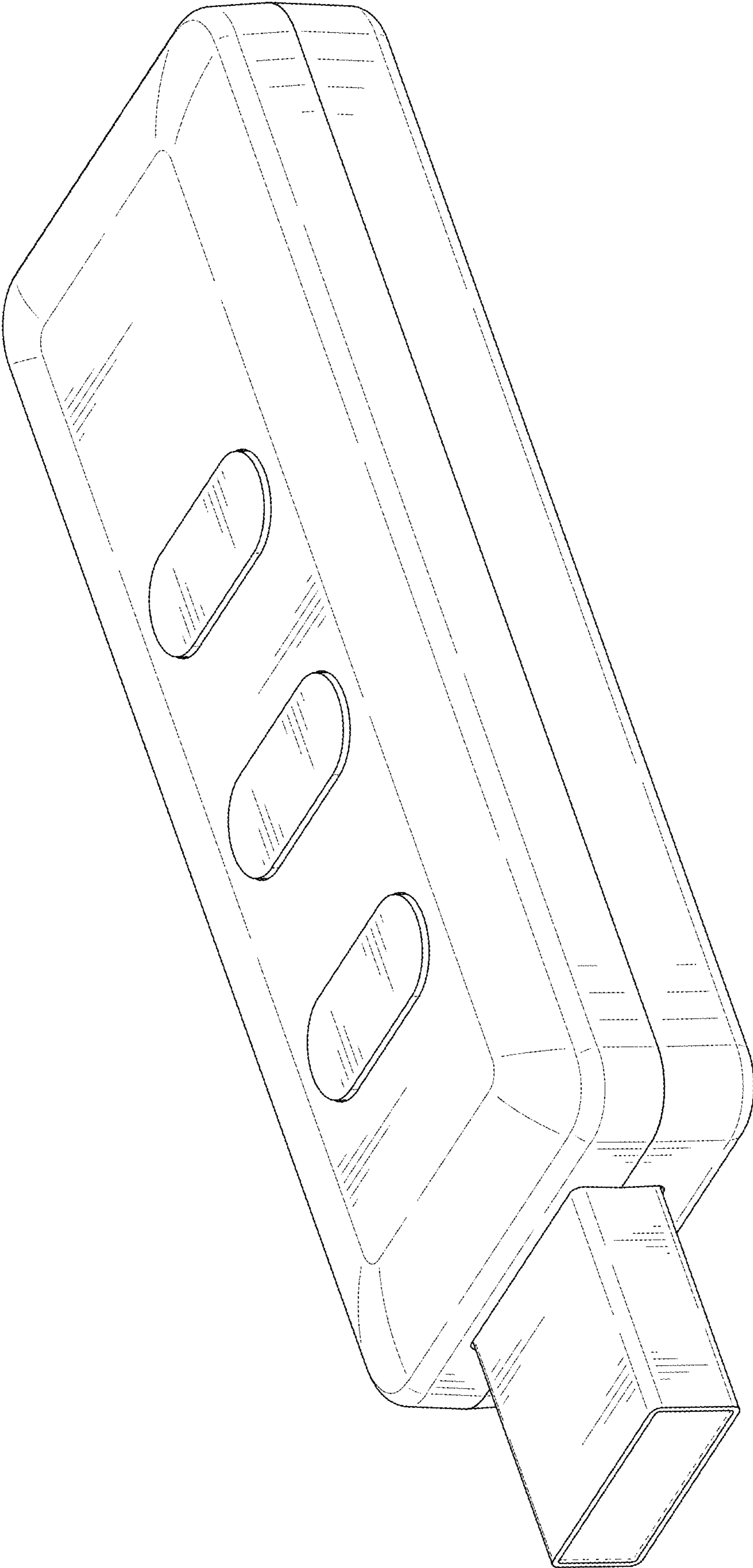


FIG. 1

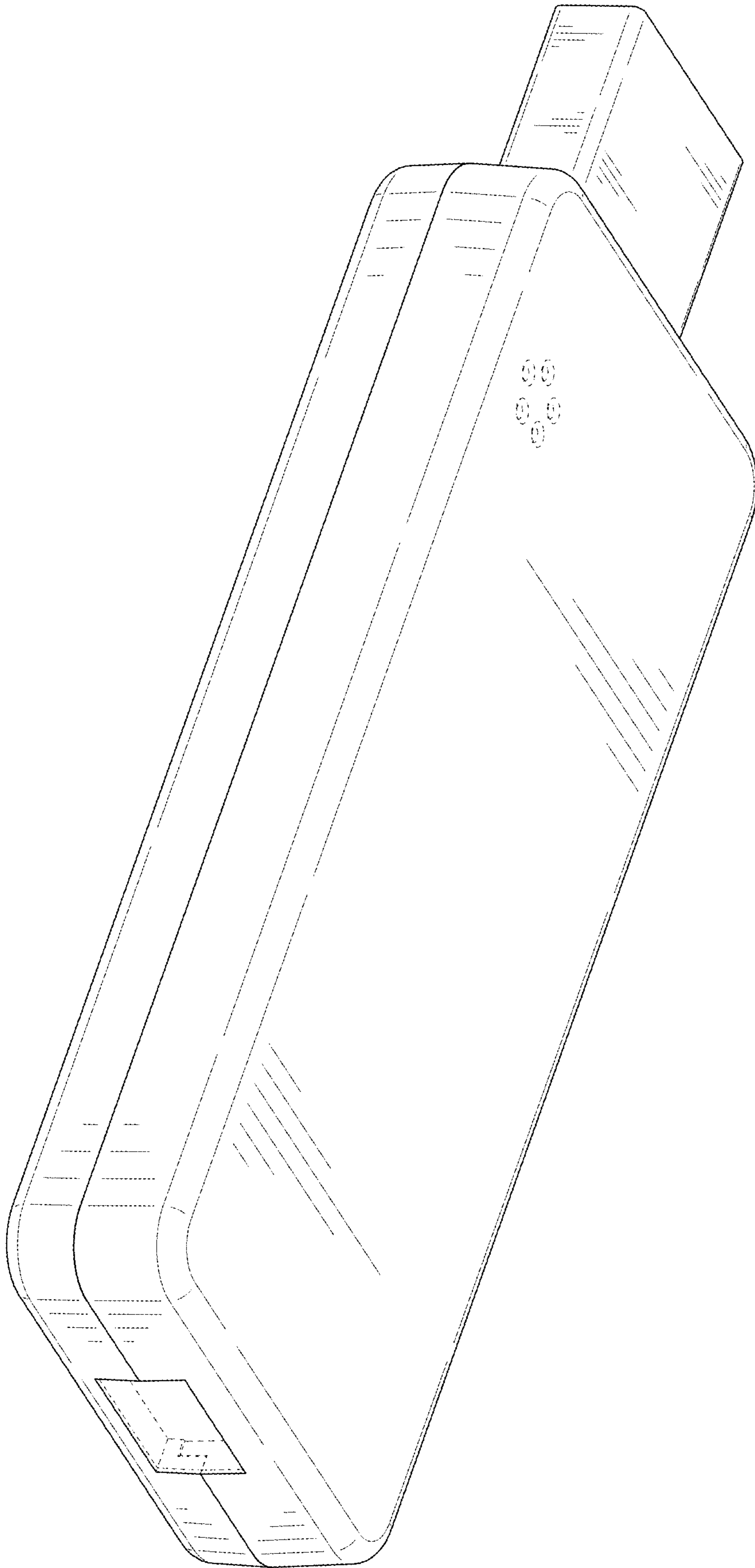


FIG. 2

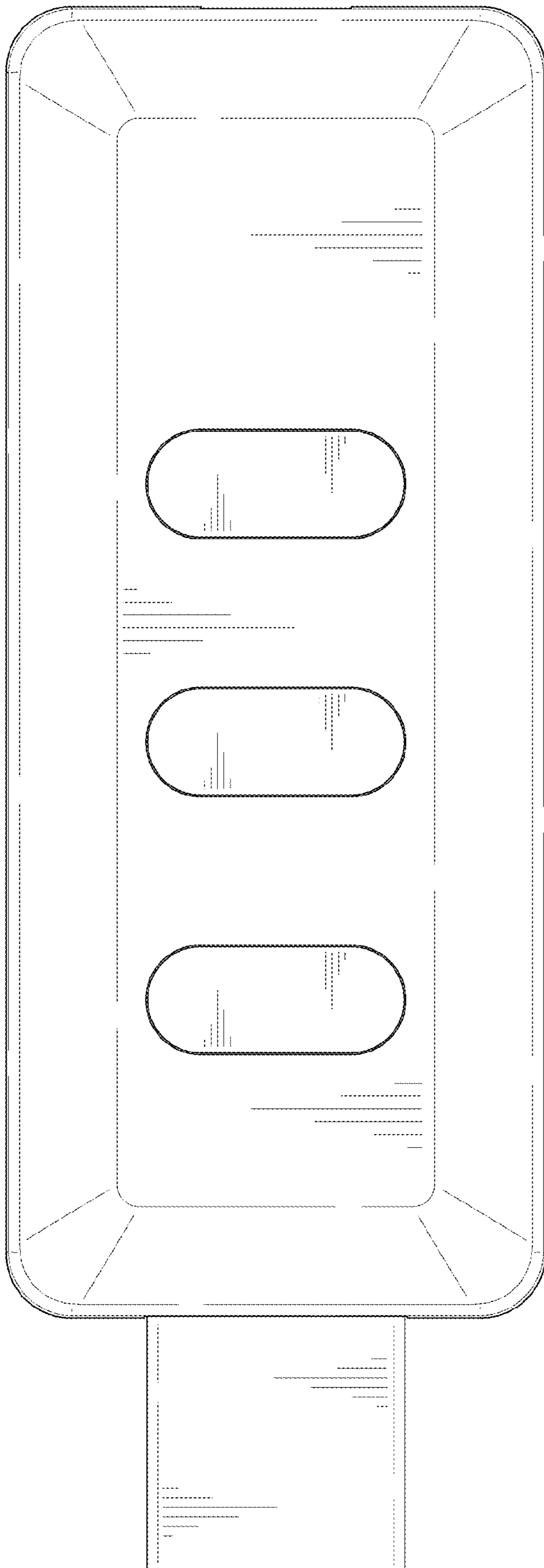


FIG. 3

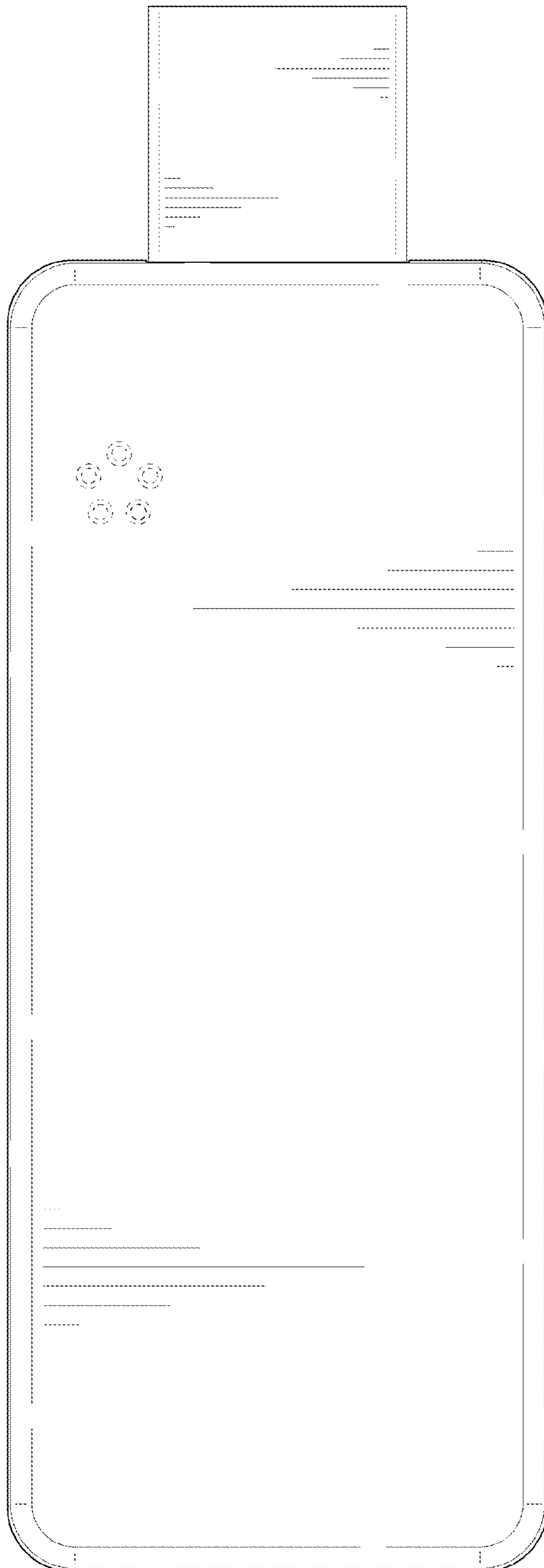


FIG. 4

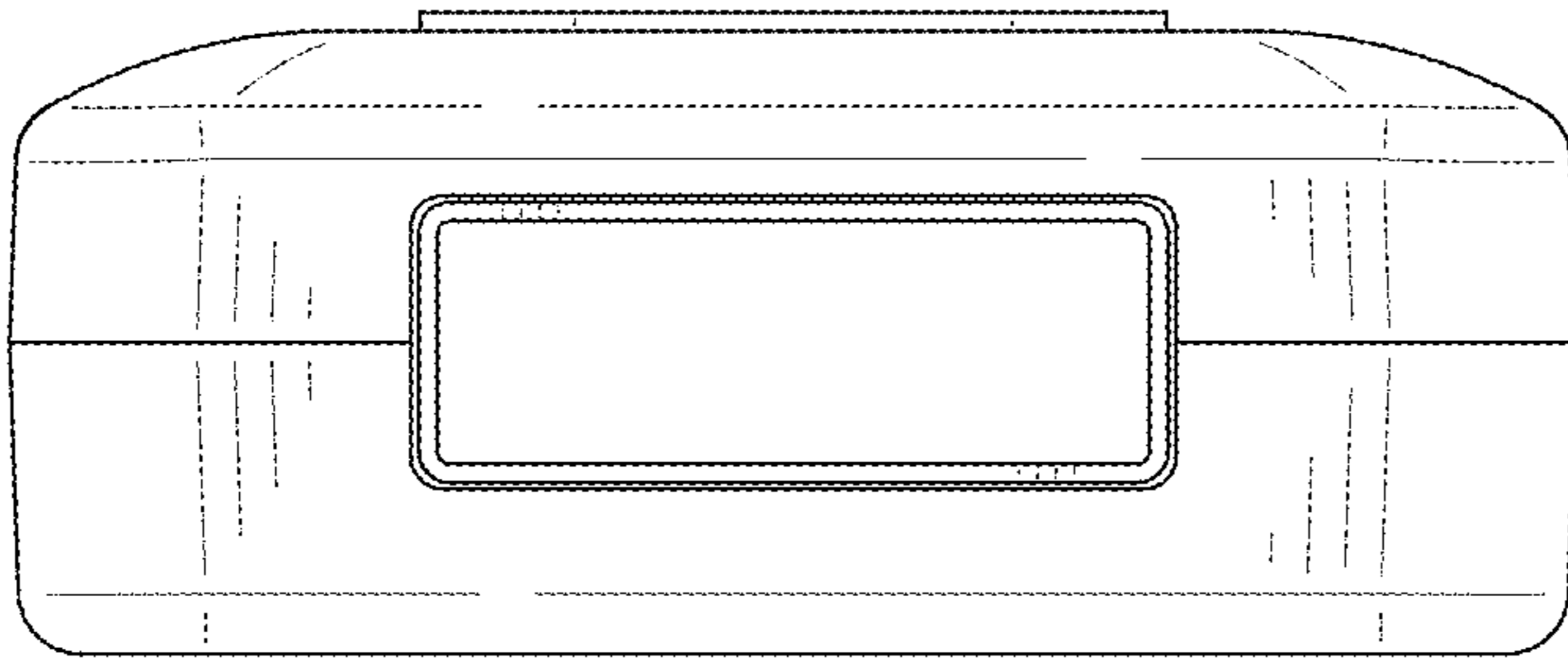


FIG. 5

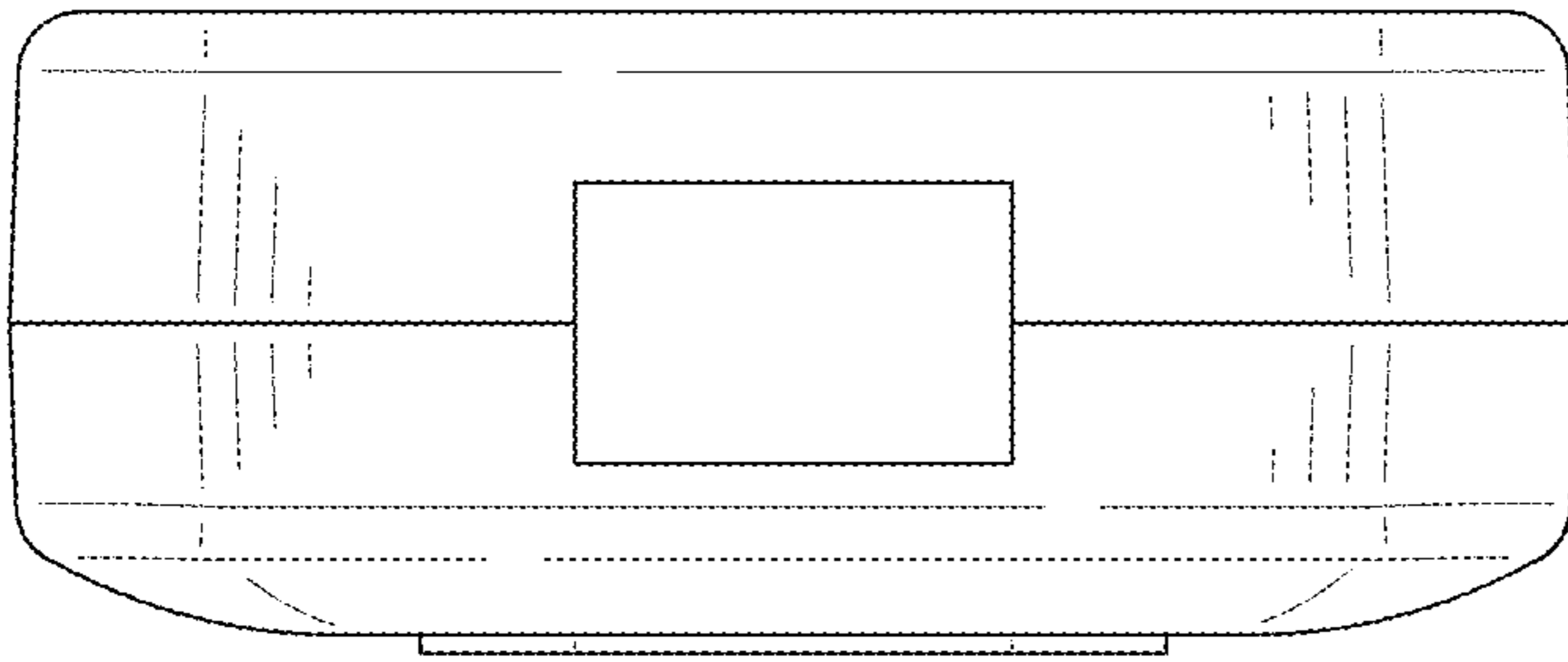


FIG. 6

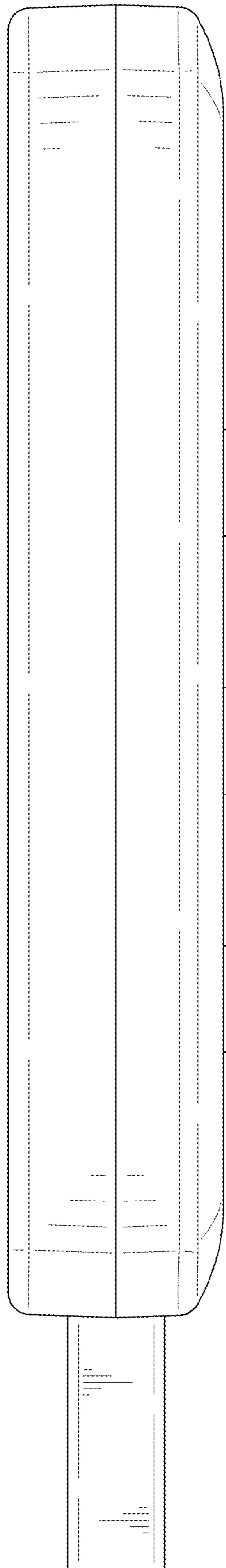


FIG. 7

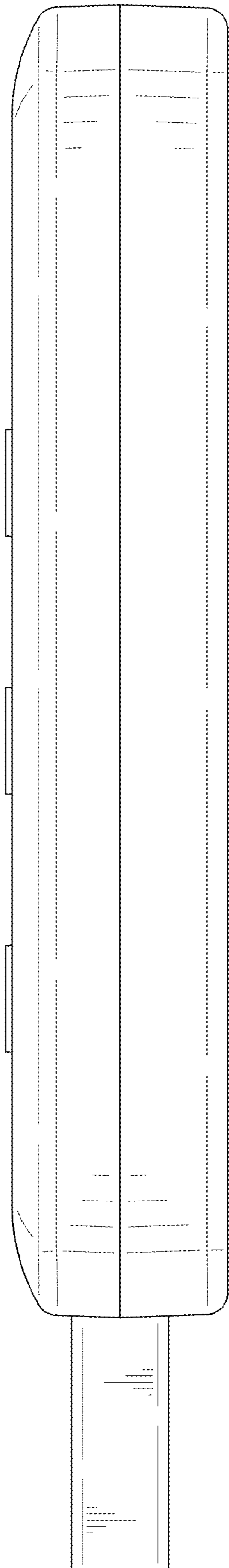


FIG. 8