



US00D984394S

(12) **United States Design Patent**
Yeon et al.

(10) **Patent No.:** **US D984,394 S**

(45) **Date of Patent:** **** Apr. 25, 2023**

(54) **REMOTE CONTROL FOR HOME NETWORK**

(71) Applicant: **LG ELECTRONICS INC.**, Seoul (KR)

(72) Inventors: **Jeeyoung Yeon**, Seoul (KR); **Heejae Kwon**, Seoul (KR); **Schwan Bae**, Seoul (KR)

(73) Assignee: **LG ELECTRONICS INC.**, Seoul (KR)

(**) Term: **15 Years**

(21) Appl. No.: **29/780,873**

(22) Filed: **Apr. 27, 2021**

(30) **Foreign Application Priority Data**

Oct. 30, 2020 (KR) 30-2020-0052267

(51) **LOC (14) Cl.** **14-03**

(52) **U.S. Cl.**
USPC **D13/168**

(58) **Field of Classification Search**
USPC ... D10/4, 46, 49, 50, 52, 53, 55, 56, 57, 60, D10/103, 104.1, 106.1, 106.9, 106.95; D13/162, 162.1, 177, 184, 168; D14/218, D14/356, 357, 358, 388, 389, 496, 240, D14/242, 138 C, 138 G, 341
CPC H04B 1/02; H04B 1/03; H04B 1/0343; H04B 1/0346; H04B 1/202; H04B 1/205; H05B 47/175; H05B 47/19; H05B 47/195; H04N 21/42208; H01H 2231/032; H03J 2200/26; H04W 92/00
See application file for complete search history.

(56) **References Cited**

U.S. PATENT DOCUMENTS

D715,167 S * 10/2014 Busse D10/70
D719,153 S * 12/2014 Lim D14/356

D722,050 S * 2/2015 Moradian D14/341
D728,489 S * 5/2015 Eriksen D13/168
D741,269 S * 10/2015 Bhattacharya D10/50
D755,132 S * 5/2016 Kashimoto D13/168
D755,734 S * 5/2016 Kashimoto D13/168
D764,419 S * 8/2016 Kashimoto D13/168
D777,683 S * 1/2017 Kashimoto D13/168
D797,099 S * 9/2017 Wieser D14/300
D797,101 S * 9/2017 Wieser D14/300
D798,860 S * 10/2017 Wieser D14/300
D814,956 S * 4/2018 Lee D10/106.7
D831,590 S * 10/2018 Lee D13/177

(Continued)

OTHER PUBLICATIONS

Next-Level Control, posted Aug. 29, 2018 [online], [retrieved Jan. 6, 2023]. Retrieved from internet, <https://www.bosch-presse.de/pressportal/de/en/next-level-control-139584.html> (Year: 2018).*

Primary Examiner — Marie D. Fast Horse

Assistant Examiner — Josiah D. Parsons

(74) *Attorney, Agent, or Firm* — Birch, Stewart, Kolasch & Birch, LLP

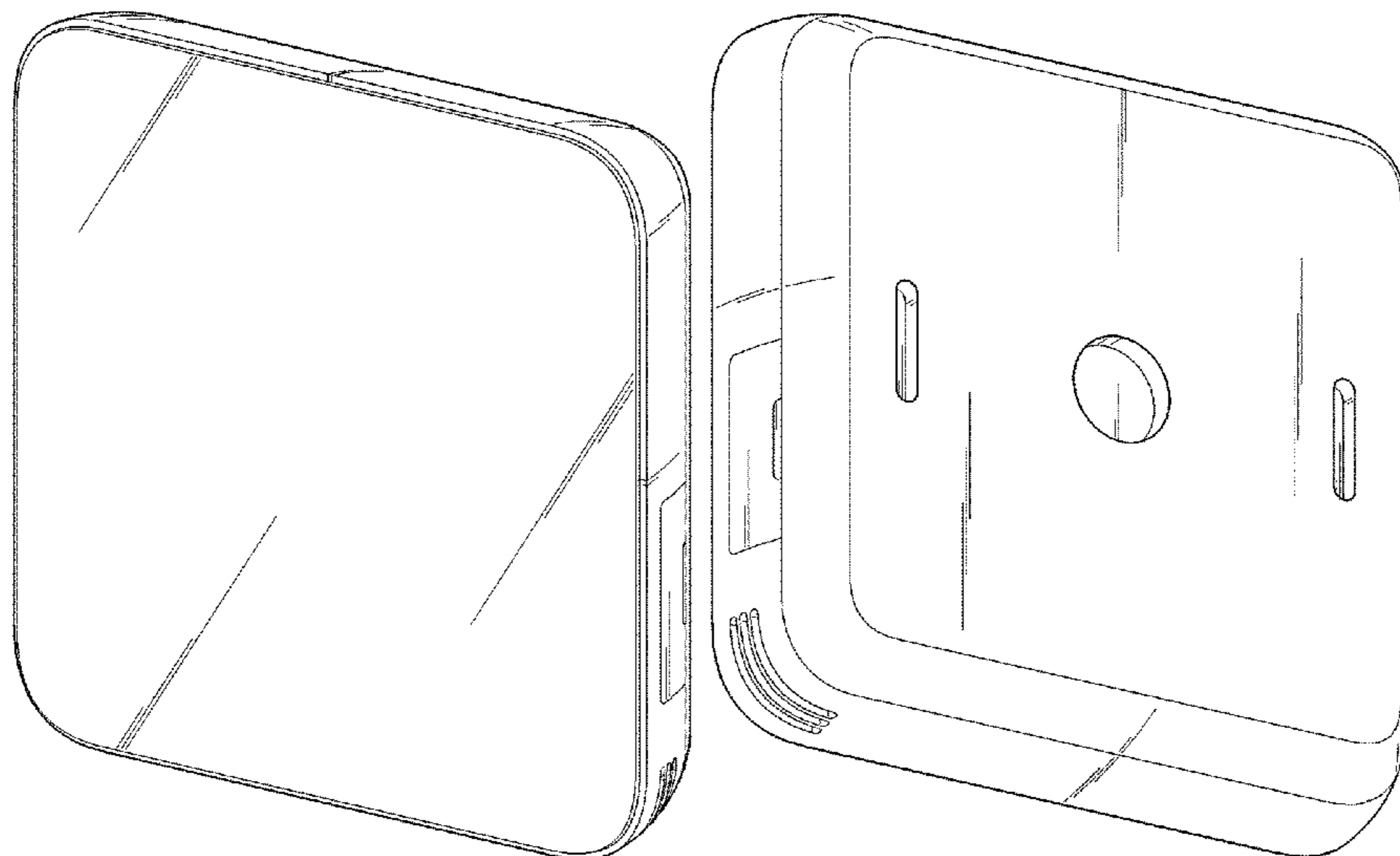
(57) **CLAIM**

We claim the ornamental design for a remote control for home network, as shown and described.

DESCRIPTION

FIG. 1 is a front perspective view of a remote control for home network showing the new design;
FIG. 2 is a rear perspective view thereof;
FIG. 3 is a front view thereof;
FIG. 4 is a rear view thereof;
FIG. 5 is a left-side elevation view thereof;
FIG. 6 is a right-side elevation view thereof;
FIG. 7 is a top plan view thereof; and,
FIG. 8 is a bottom plan view thereof.

1 Claim, 8 Drawing Sheets



(56)

References Cited

U.S. PATENT DOCUMENTS

D843,235	S	*	3/2019	McKinnon	D10/50
D854,429	S	*	7/2019	Gentle	D10/50
D864,773	S	*	10/2019	Zhang	D10/52
D870,680	S	*	12/2019	Lee	D13/162
D871,933	S	*	1/2020	Zhang	D10/50
D879,772	S	*	3/2020	Wall	D14/341
D889,449	S	*	7/2020	Abellera	D14/242
D893,423	S	*	8/2020	Nishimura	D13/110
D939,361	S	*	12/2021	Yang	D10/53
D948,354	S	*	4/2022	Lee	D10/50
D952,477	S	*	5/2022	Gong	D10/52
D955,233	S	*	6/2022	Gong	D10/56
D962,088	S	*	8/2022	Han	D10/50
D972,946	S	*	12/2022	Di	D10/50

* cited by examiner

FIG. 1

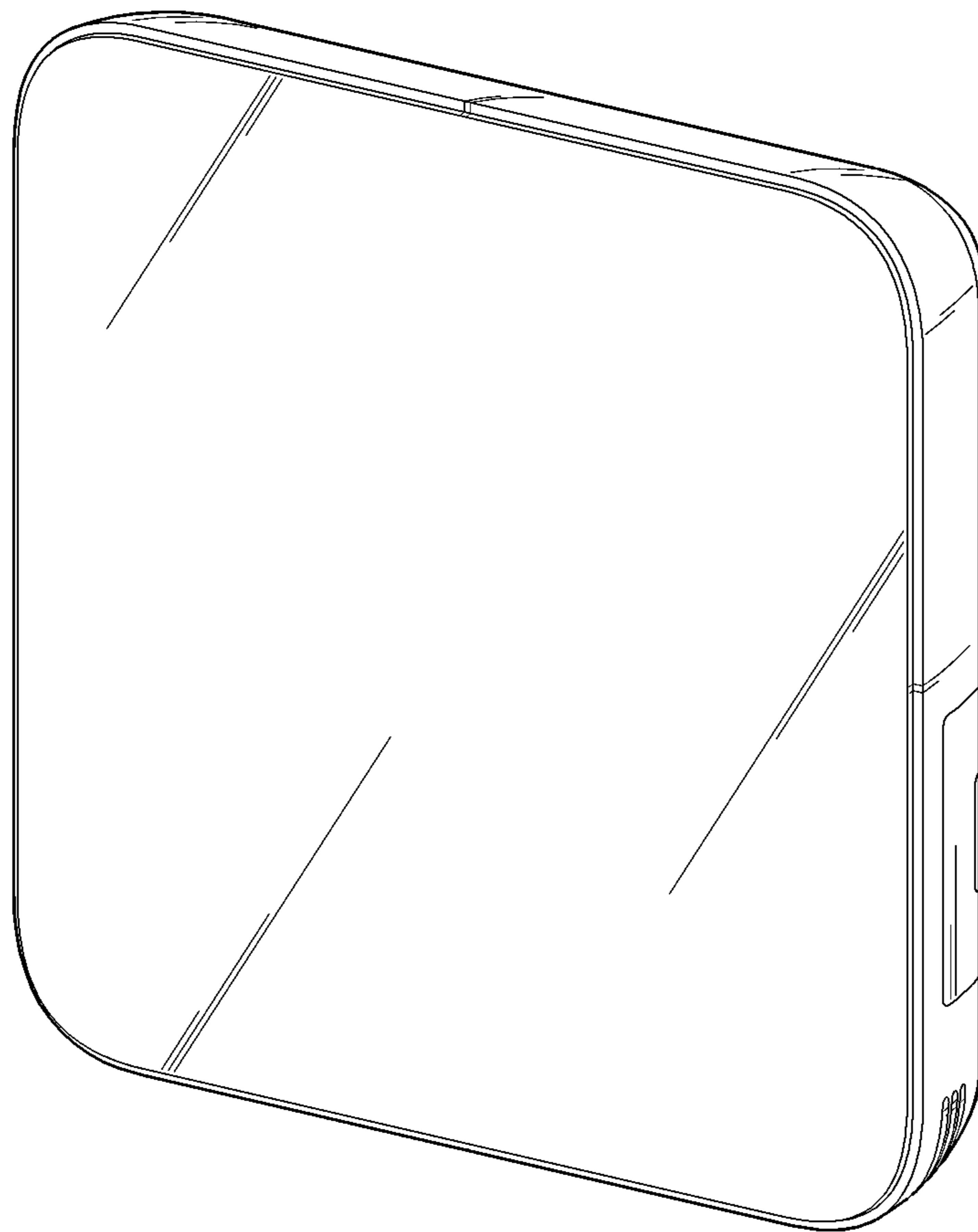


FIG. 2

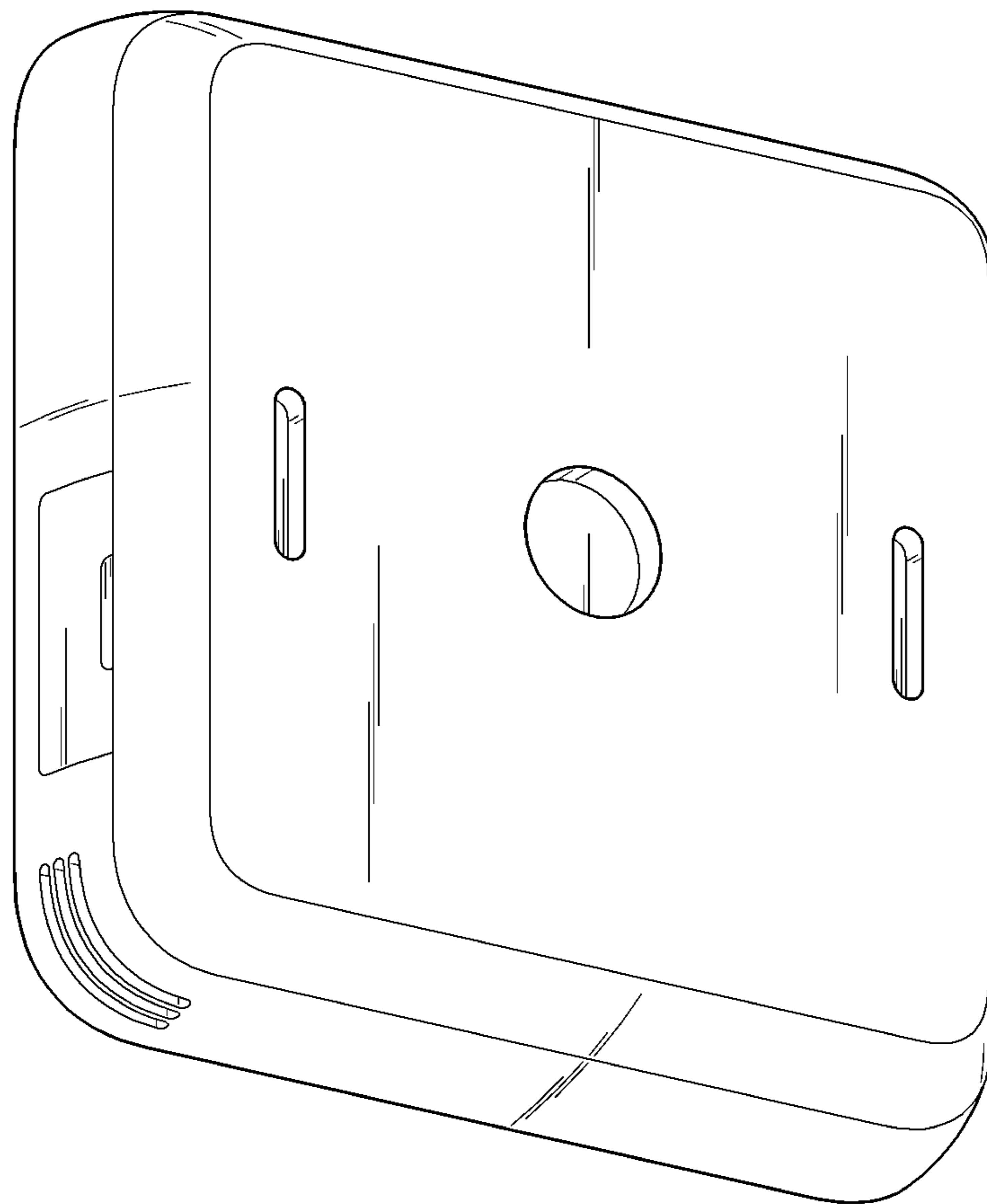


FIG. 3

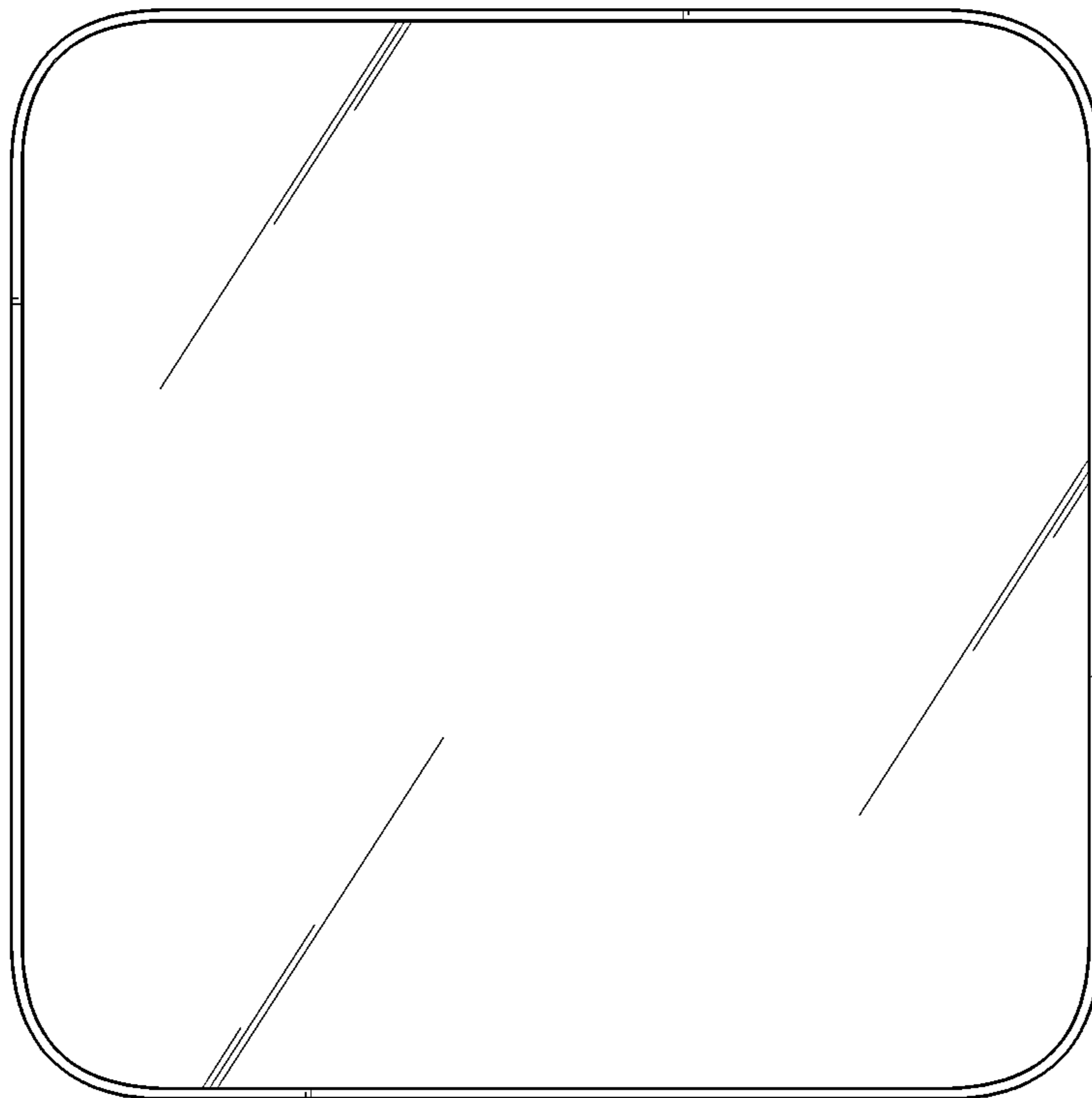


FIG. 4

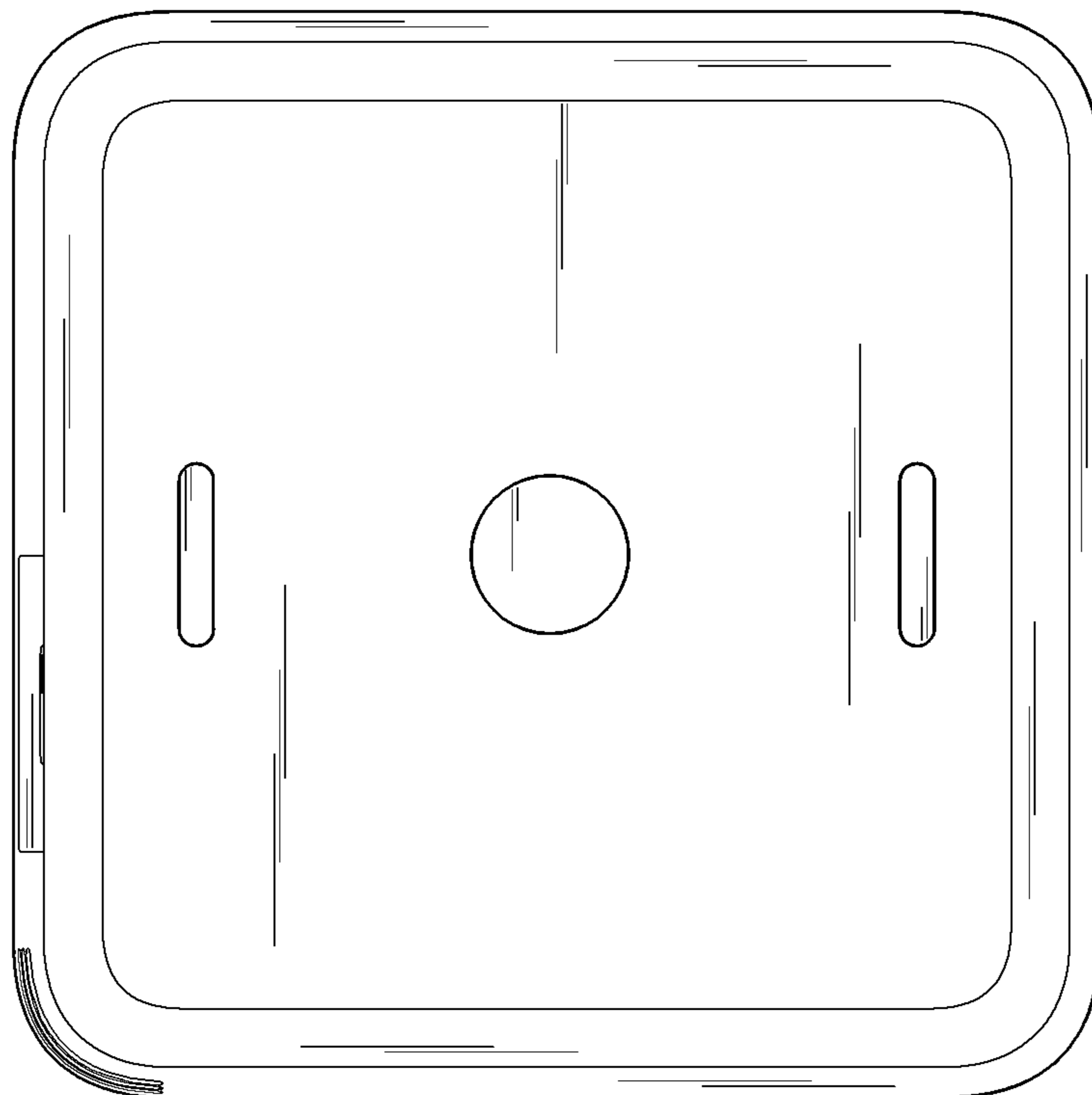


FIG. 5

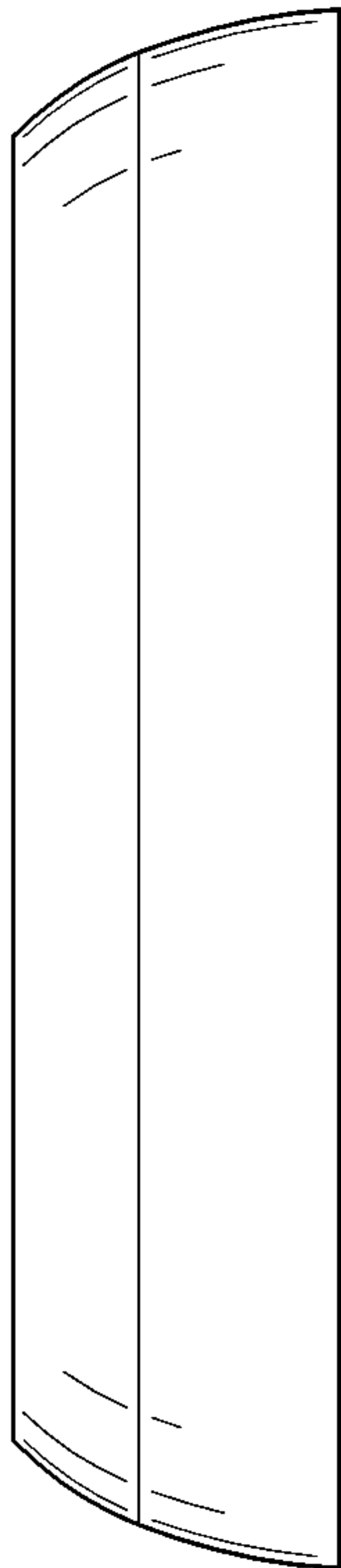


FIG. 6

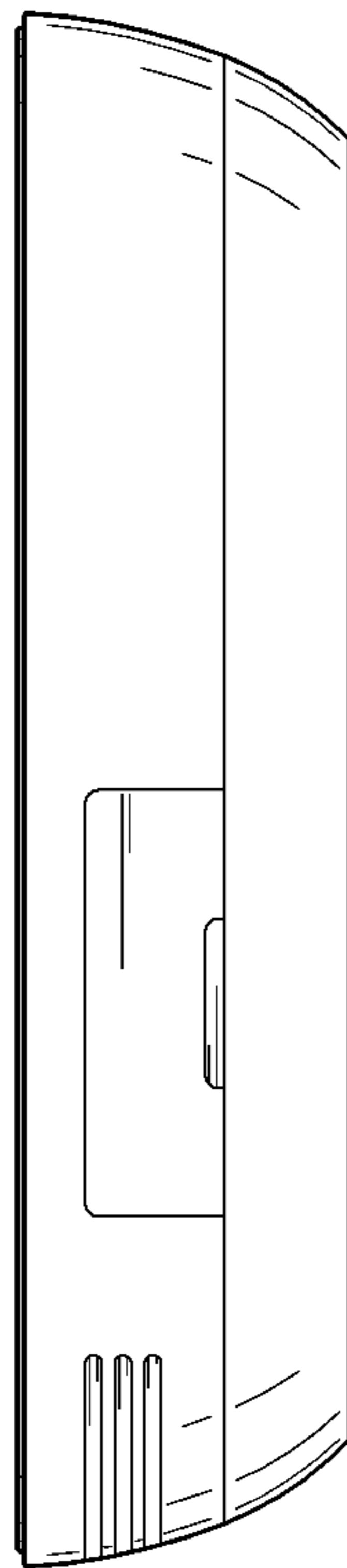


FIG. 7

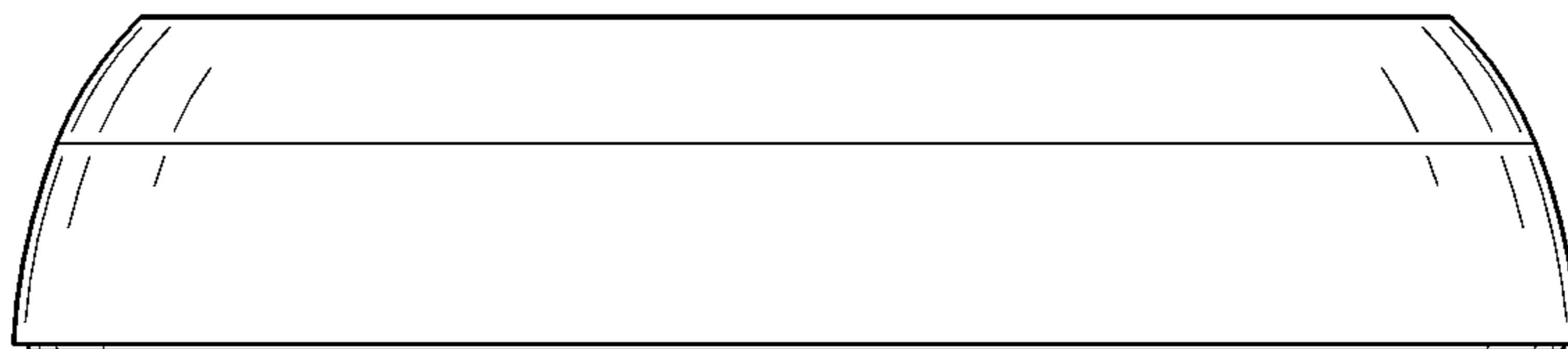


FIG. 8

