



US00D984393S

(12) **United States Design Patent** (10) **Patent No.:** **US D984,393 S**
Schmid (45) **Date of Patent:** **** *Apr. 25, 2023**

(54) **ELECTRONIC DEVICE**

(71) Applicant: **WÖHNER BESITZ GMBH**, Rödental (DE)

(72) Inventor: **Jürgen R. Schmid**, Ammerbuch (DE)

(73) Assignee: **WÖHNER BESITZ GMBH**, Rödental (DE)

(*) Notice: This patent is subject to a terminal disclaimer.

(**) Term: **15 Years**

(21) Appl. No.: **29/765,016**

(22) Filed: **Jan. 5, 2021**

(30) **Foreign Application Priority Data**

Jul. 13, 2020 (EM) 008037600

(51) **LOC (14) Cl.** **13-03**

(52) **U.S. Cl.**
USPC **D13/162; D13/159; D13/162.1**

(58) **Field of Classification Search**

USPC D10/46, 75, 104.1; D13/103, 107, 108, D13/110, 113, 123, 133, 139.4, 146, 147, D13/158, 159, 162, 162.1, 164, 178, 182, D13/184; D14/125, 140.4, 155, 214, 230, D14/239, 240, 242, 256, 299, 300, 301, D14/308, 313, 349, 353, 356, 358, 368, D14/389, 433, 435, 438, 441, 444, 496

CPC .. H05K 7/1465; H05K 7/1484; H05K 5/0204; H04B 1/38; H04B 1/3888; H01H 71/0228; G06F 1/183; G05B 19/414

See application file for complete search history.

(56) **References Cited**

U.S. PATENT DOCUMENTS

D281,493 S * 11/1985 Prager D13/162.1
D309,600 S * 7/1990 Backes D13/162.1
5,493,194 A * 2/1996 Damiano H05K 7/1484
318/575
D417,223 S * 11/1999 Groves D14/125

(Continued)

OTHER PUBLICATIONS

C14, Date: Nov. 24, 2020, [online], [site visited Apr. 6, 2022]. Available from Internet, URL: <https://www.motus-c14.de/en/> (Year: 2020).*

(Continued)

Primary Examiner — Shawn T Gingrich

Assistant Examiner — Bryan N. Melvin

(74) *Attorney, Agent, or Firm* — Millen, White, Zelano & Branigan, P.C.; William Nixon

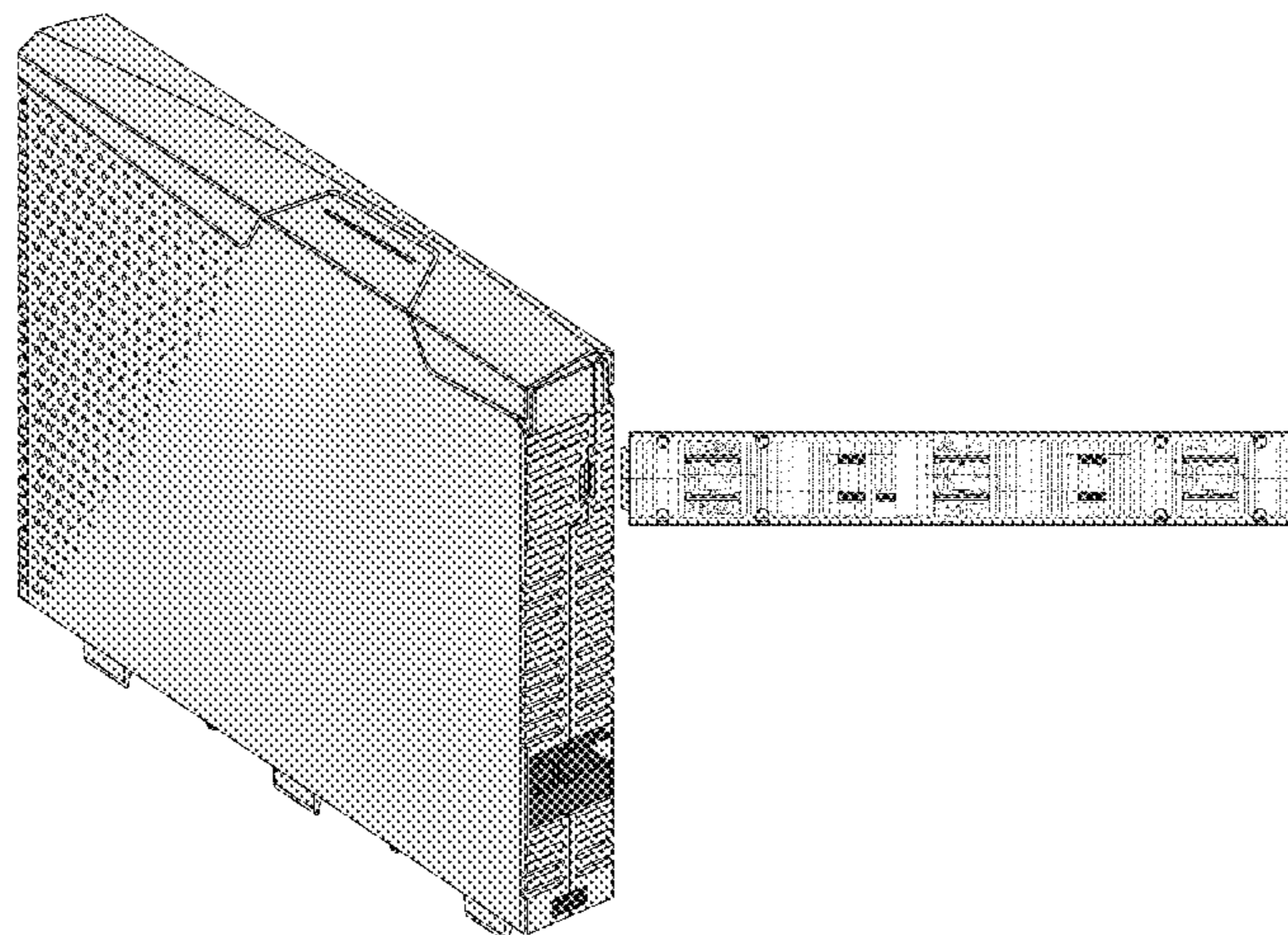
(57) **CLAIM**

The ornamental design for an electronic device, as shown and described.

DESCRIPTION

FIG. 1 illustrates a front perspective view of an electronic device showing my new design;
FIG. 2 illustrates a front elevational view thereof;
FIG. 3 illustrates a rear elevational view thereof;
FIG. 4 illustrates a right side elevational view thereof;
FIG. 5 illustrates a left side elevational view thereof;
FIG. 6 illustrates a top plan view thereof; and
FIG. 7 illustrates a bottom plan view thereof.
FIG. 8 illustrates the second embodiment front perspective view of an electronic device showing my new design;
FIG. 9 illustrates a front elevational view thereof;
FIG. 10 illustrates a rear elevational view thereof;
FIG. 11 illustrates a right side elevational view thereof;
FIG. 12 illustrates a left side elevational view thereof;
FIG. 13 illustrates a top plan view thereof; and,
FIG. 14 illustrates a bottom plan view thereof.
The broken lines in the drawings illustrate portions of the electronic device that form no part of the claimed design.

1 Claim, 14 Drawing Sheets



(56)

References Cited

U.S. PATENT DOCUMENTS

6,172,875 B1 * 1/2001 Suzuki H05K 7/1465
361/752
D629,398 S * 12/2010 Chang D14/240
D735,667 S * 8/2015 Mielnik D13/123
D798,236 S * 9/2017 Nada D13/162
D816,048 S * 4/2018 Stray D13/162
D837,785 S * 1/2019 Izumo D14/356
D898,680 S * 10/2020 Thatcher D13/162
10,840,046 B2 * 11/2020 Delbaere H01H 71/0228
2016/0029501 A1 * 1/2016 Wu H04B 1/3888
174/541

OTHER PUBLICATIONS

Motus, Date: Dec. 29, 2020, [online], [site visited Apr. 6, 2022].
Available from Internet, URL: <https://www.automation-fair.com/2020/12/29/wohner-presents-groundbreaking-motor-starters-motus-c14-based-on-c14-technology/> (Year: 2020).*

* cited by examiner

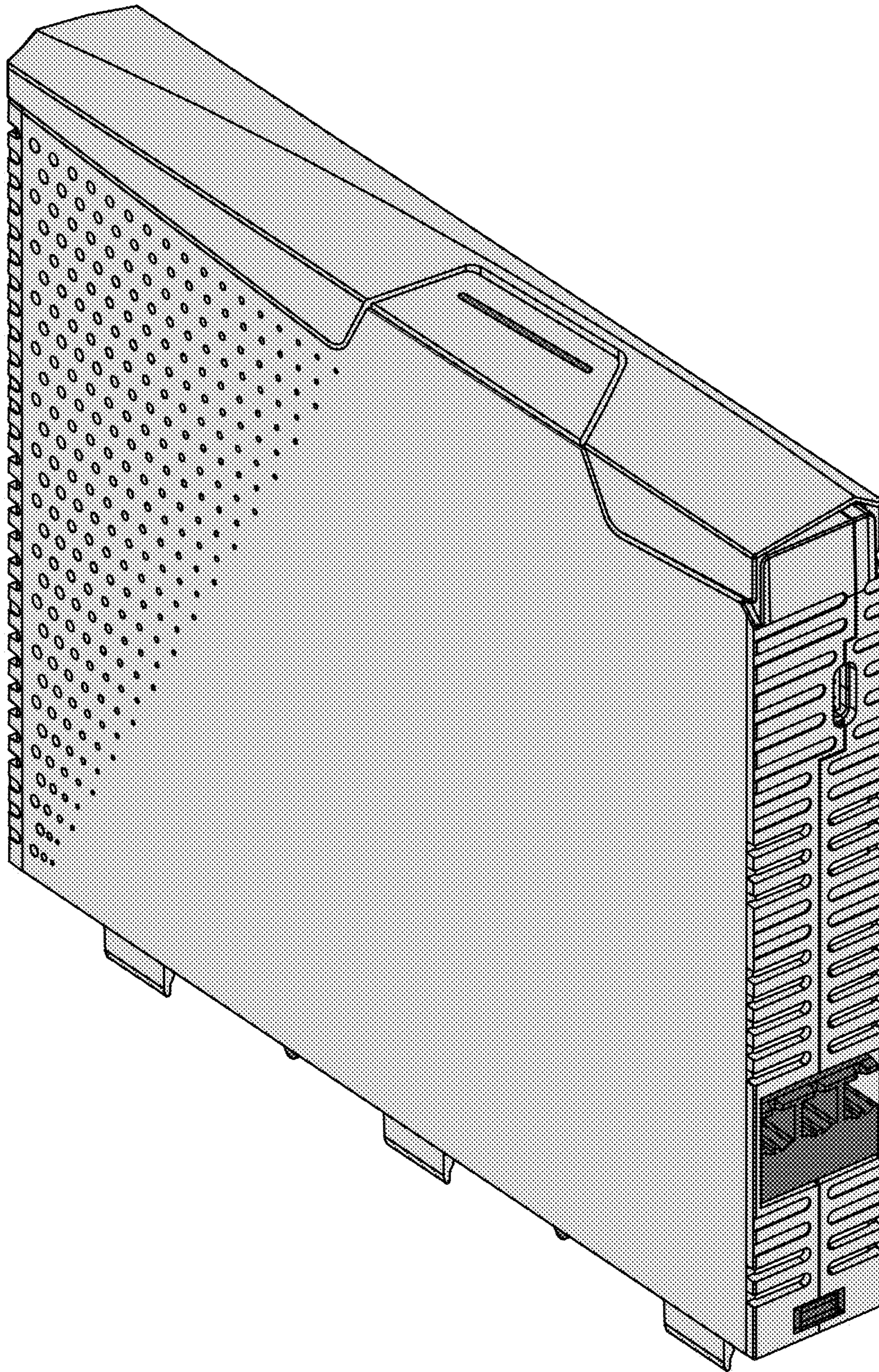


FIG. 1

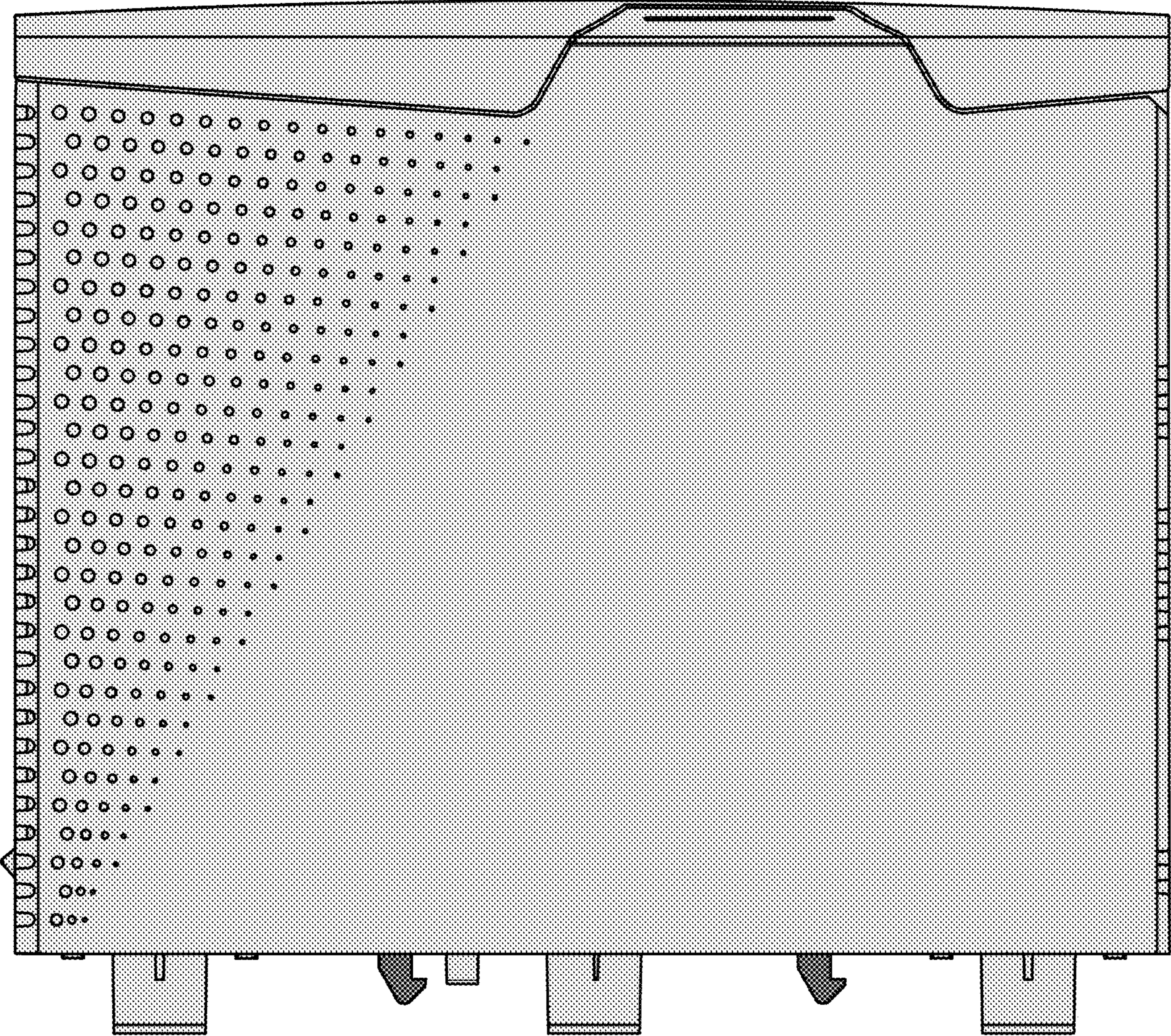


FIG. 2

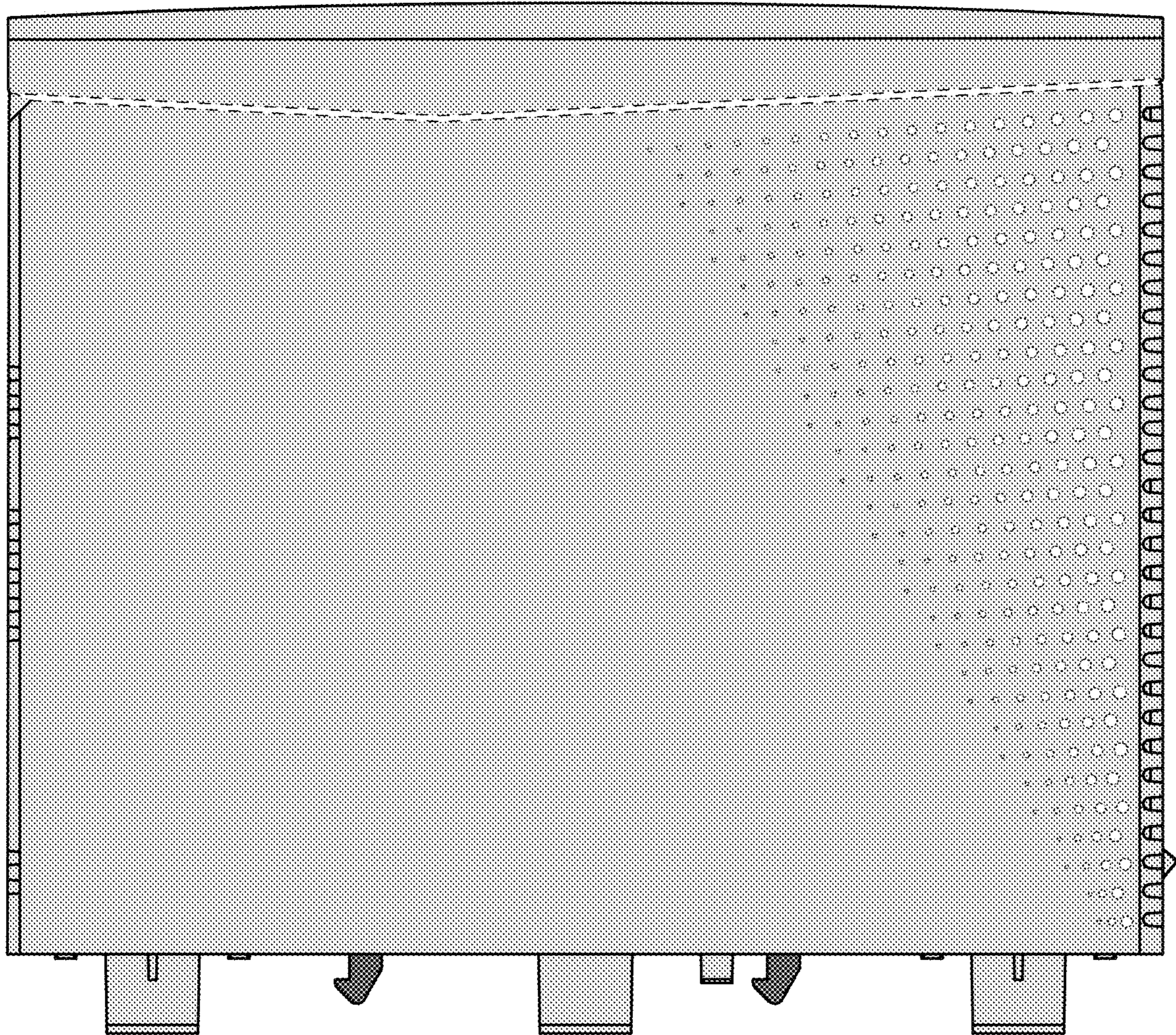


FIG. 3

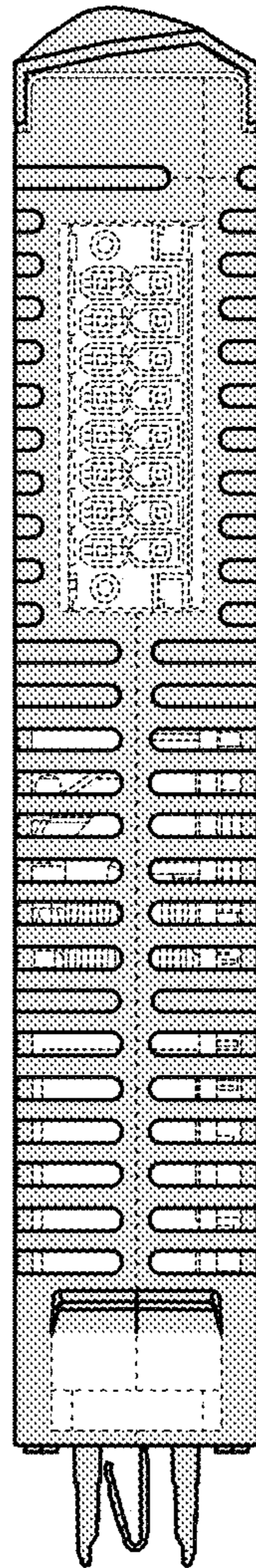


FIG. 4

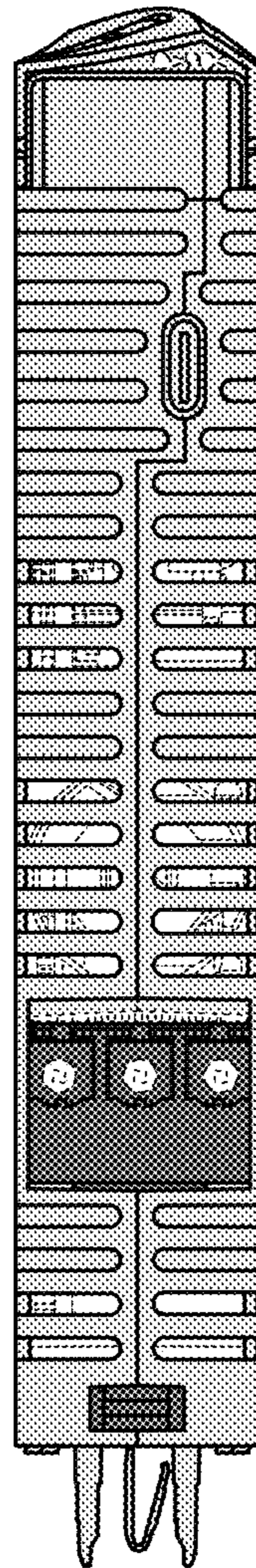


FIG. 5

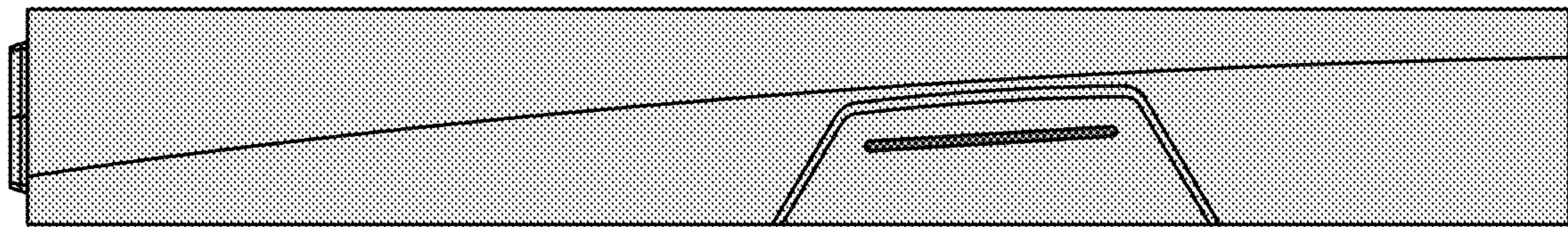


FIG. 6

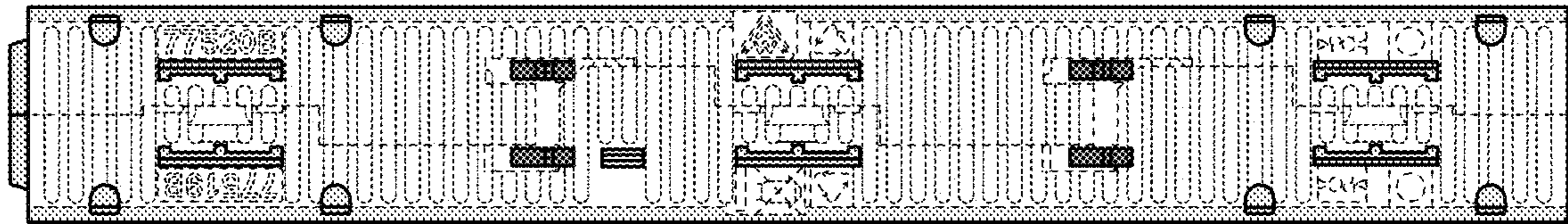


FIG. 7

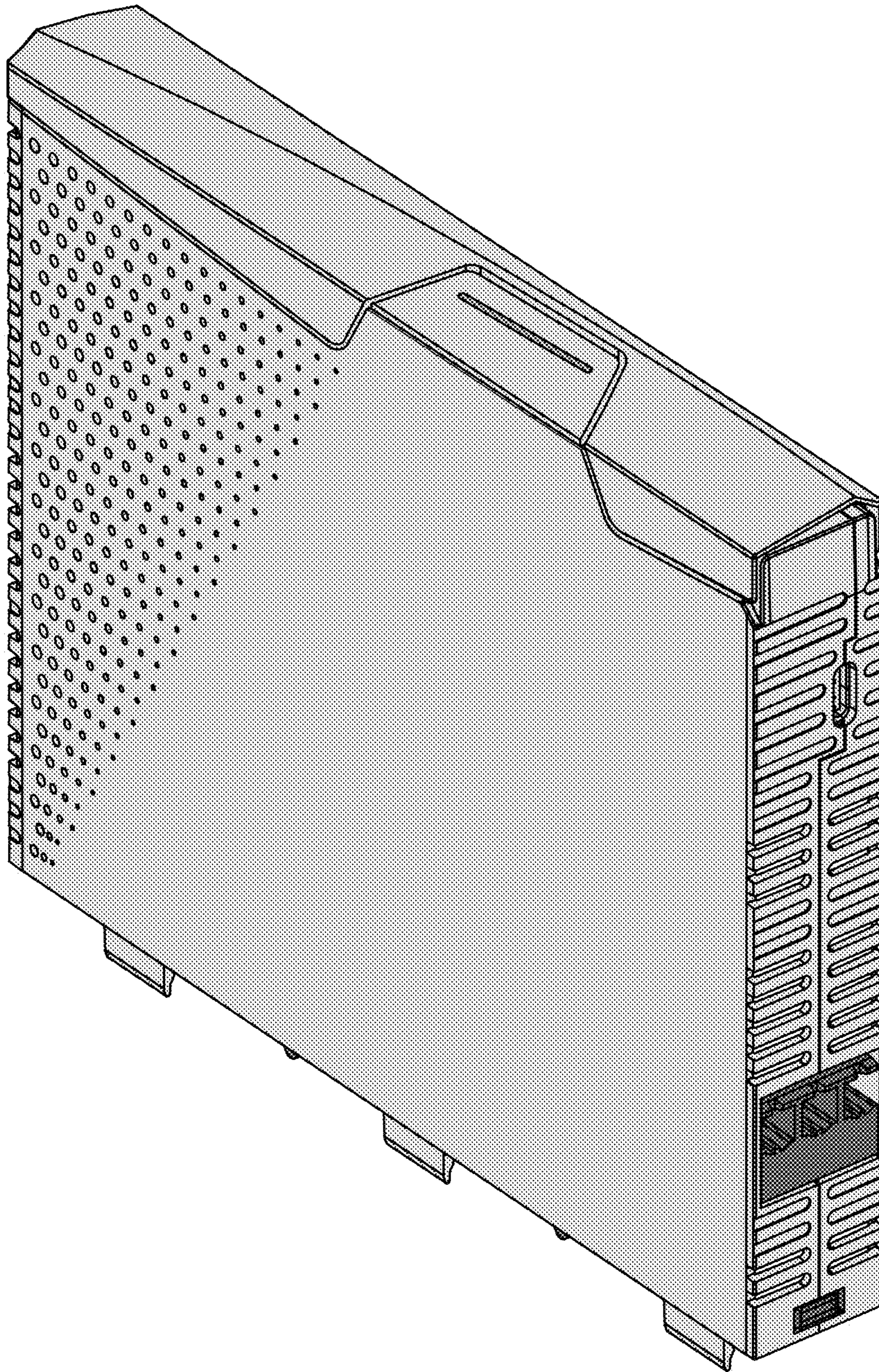


FIG. 8

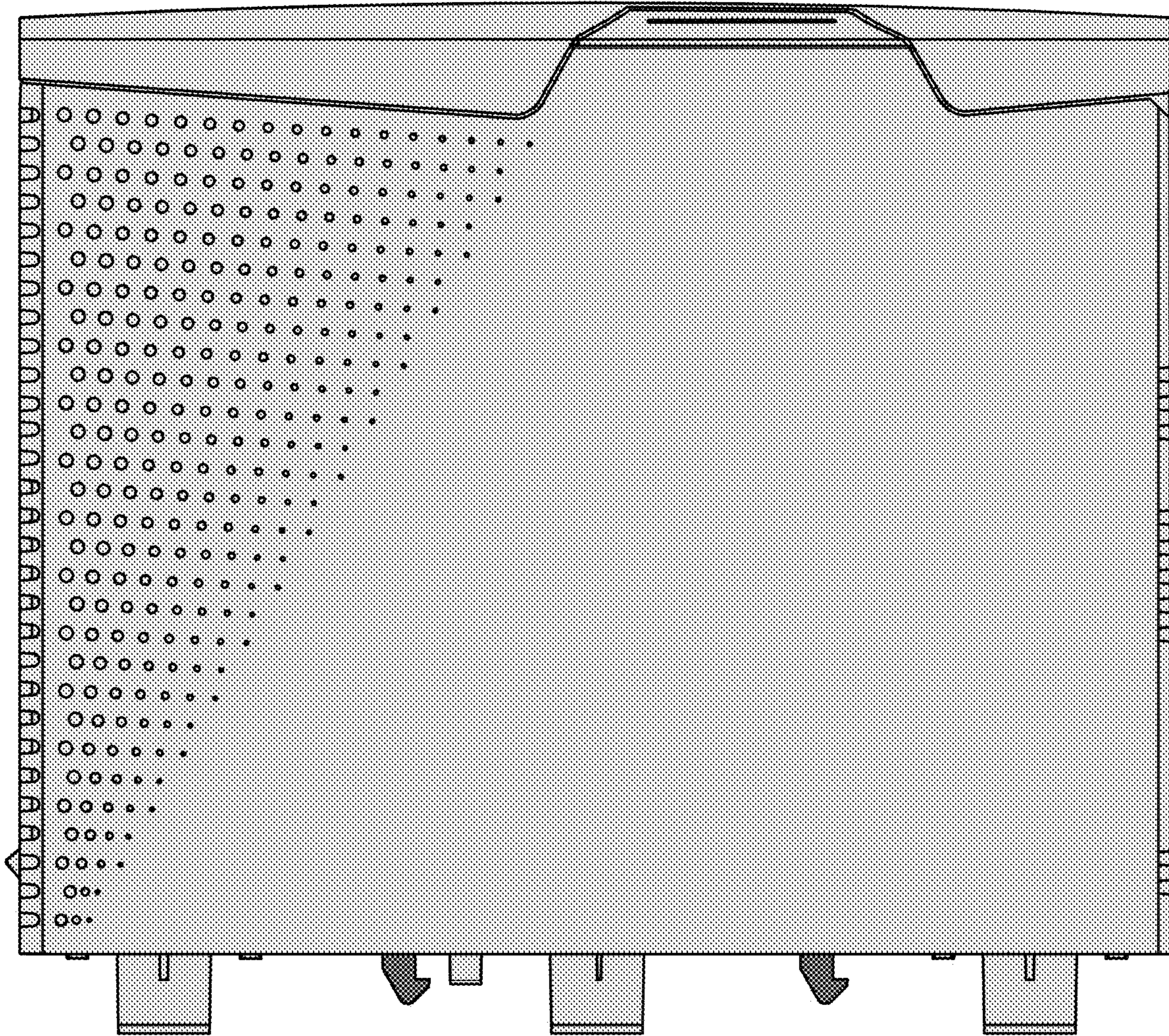


FIG. 9

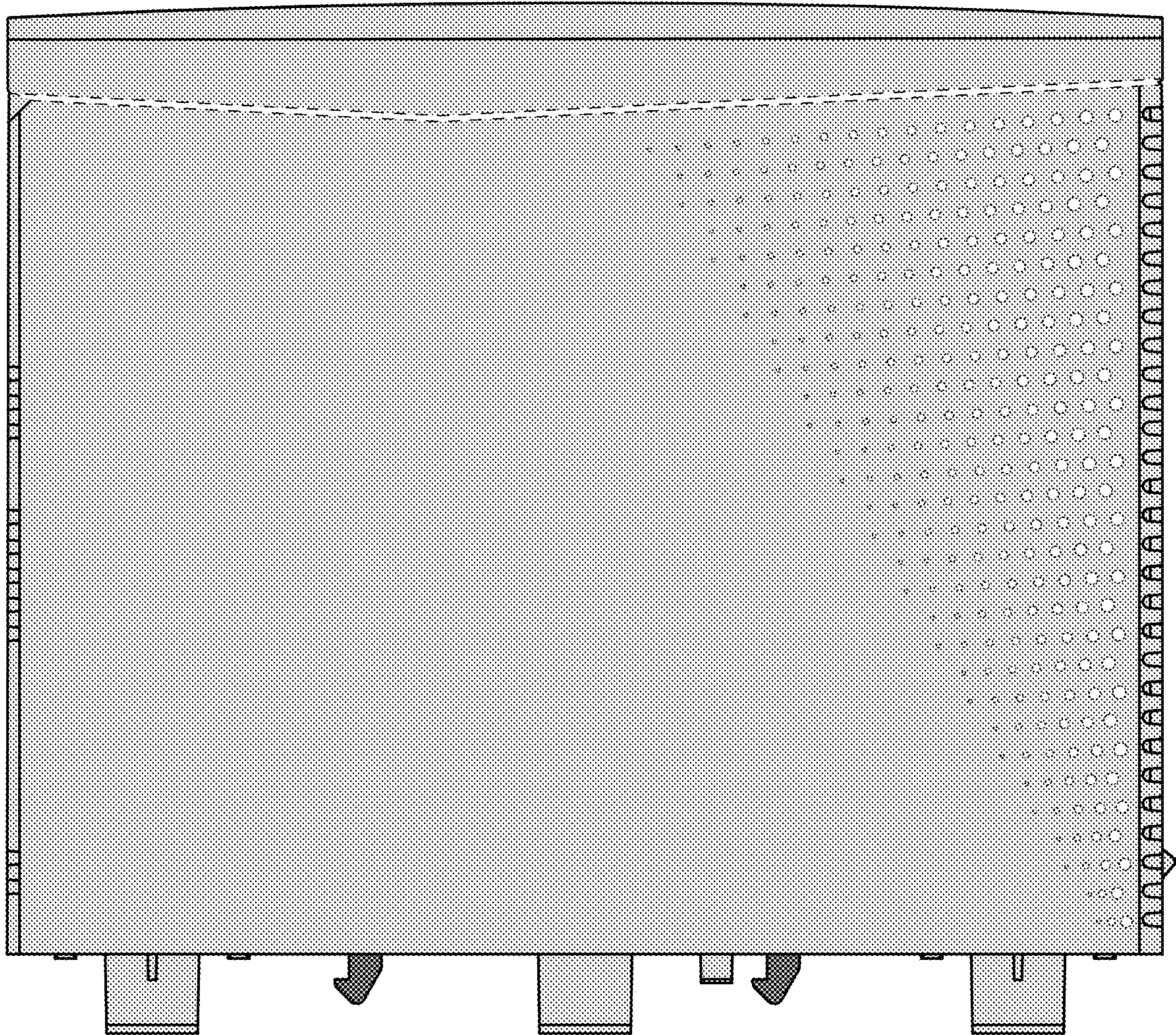


FIG. 10

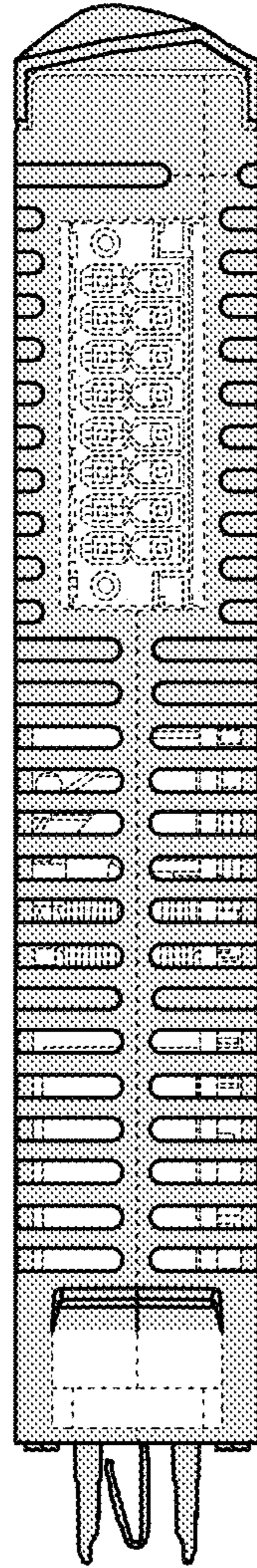


FIG. 11

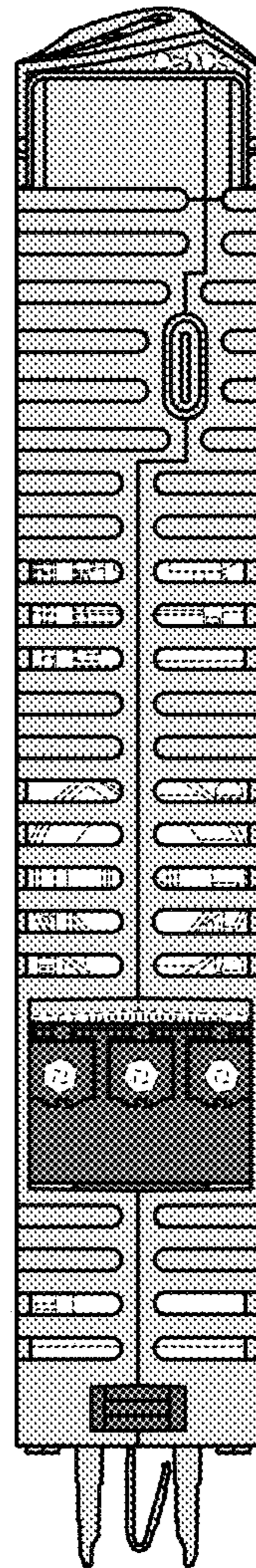


FIG. 12

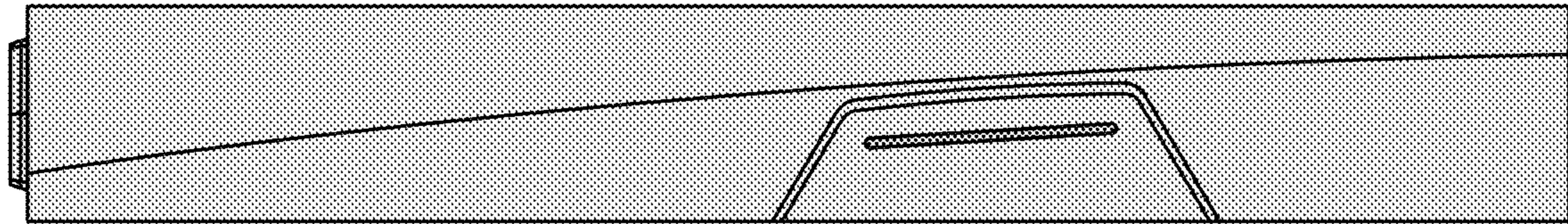


FIG. 13

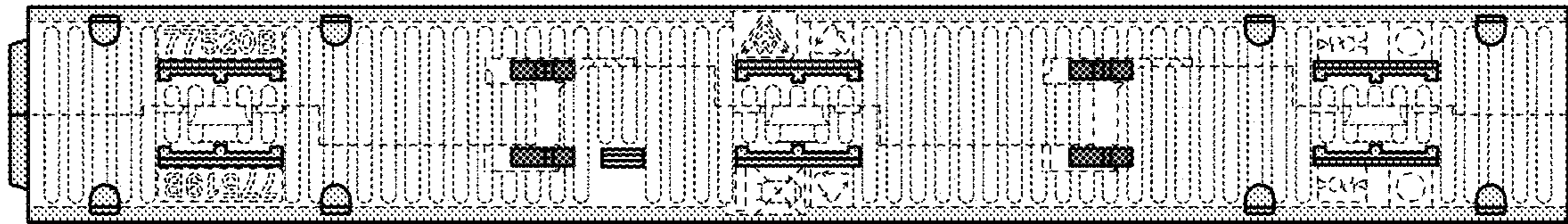


FIG. 14