



US00D984391S

(12) **United States Design Patent**
Wai et al.

(10) **Patent No.:** **US D984,391 S**

(45) **Date of Patent:** **** Apr. 25, 2023**

(54) **CONNECTOR DEVICE**

(71) Applicants: **Chan Chun Wai**, Ma On Shan (HK);
Zhou Wei Feng, Hong Kong (HK)

(72) Inventors: **Chan Chun Wai**, Ma On Shan (HK);
Zhou Wei Feng, Hong Kong (HK)

(**) Term: **15 Years**

(21) Appl. No.: **29/721,530**

(22) Filed: **Jan. 21, 2020**

(51) **LOC (14) Cl.** **13-03**

(52) **U.S. Cl.**
USPC **D13/156**

(58) **Field of Classification Search**
USPC D13/110, 125, 155, 156, 199, 132;
D14/434, 435.1
CPC H01R 13/5833; H01R 13/516; H01R
13/533; H01B 17/42; H01B 17/32; H02J
7/0044; H02J 7/0027
See application file for complete search history.

(56) **References Cited**

U.S. PATENT DOCUMENTS

D331,915 S * 12/1992 Martin D13/154
D561,762 S * 2/2008 Mori D14/434
D752,521 S * 3/2016 Place D13/153
D783,541 S * 4/2017 Minn D13/153
D801,975 S * 11/2017 Qin D14/435.1

D810,698 S * 2/2018 Hahn D13/156
D861,618 S * 10/2019 Zhu D13/153
D873,015 S * 1/2020 Bradberry D3/315
D890,702 S * 7/2020 Jhun D13/133
D890,761 S * 7/2020 Borthne-Trygslund ... D14/435.1
2012/0268064 A1* 10/2012 Ostrom H02J 50/10
320/108

* cited by examiner

Primary Examiner — Jennifer O King

(74) *Attorney, Agent, or Firm* — Michael P. Eddy

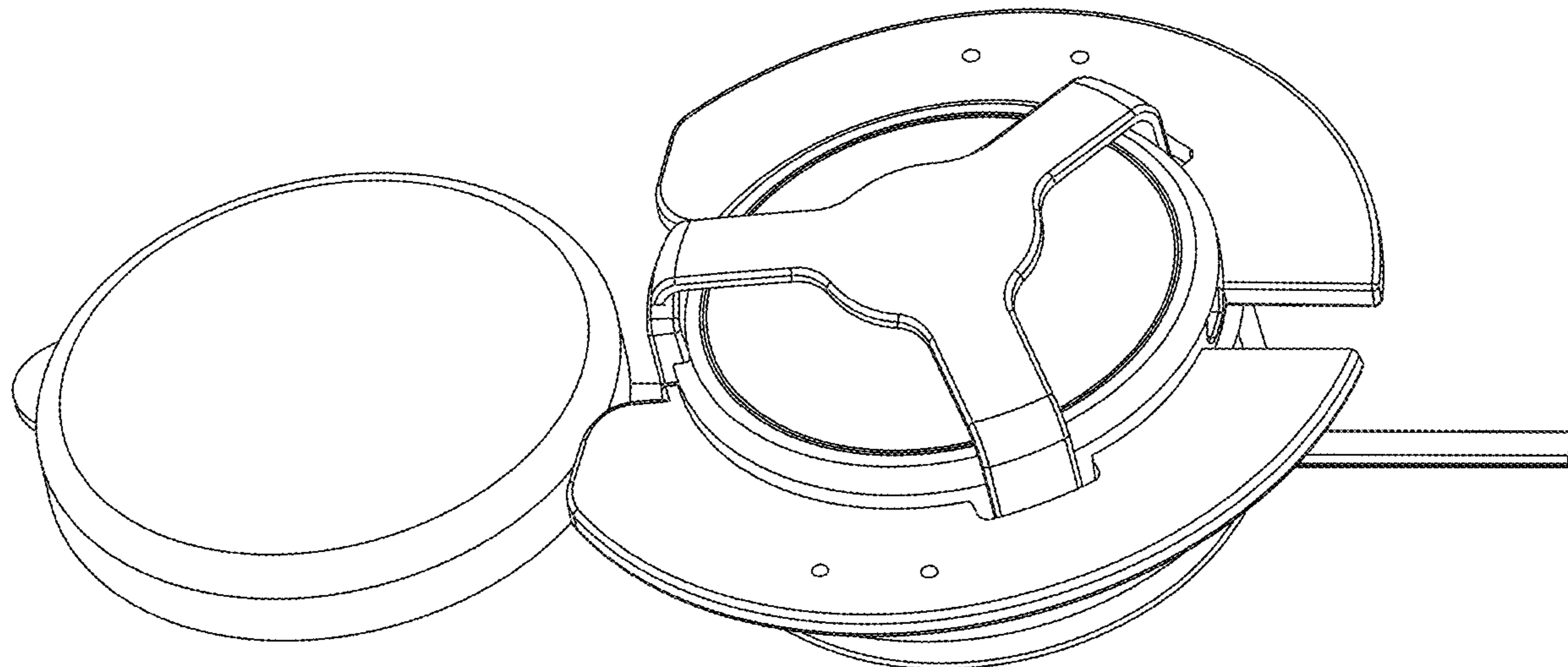
(57) **CLAIM**

The ornamental design for a connector device, as shown and described.

DESCRIPTION

FIG. 1 is a perspective view of a connector device showing our new design;
FIG. 2 is a rear perspective view thereof;
FIG. 3 is a left plan view thereof;
FIG. 4 is a bottom plan view thereof;
FIG. 5 is a right plan view thereof;
FIG. 6 is another left plan view thereof;
FIG. 7 is a top plan view thereof; and,
FIG. 8 is another right plan view thereof.
The portions that would be visible behind a transparent or translucent surface are omitted for a clear disclosure of the surface configuration. No claim is made to any element inside or behind the transparent or translucent surface. Appendix images A1-A8 are 3D view renderings of a connector device portraying the claimed design.

1 Claim, 8 Drawing Sheets



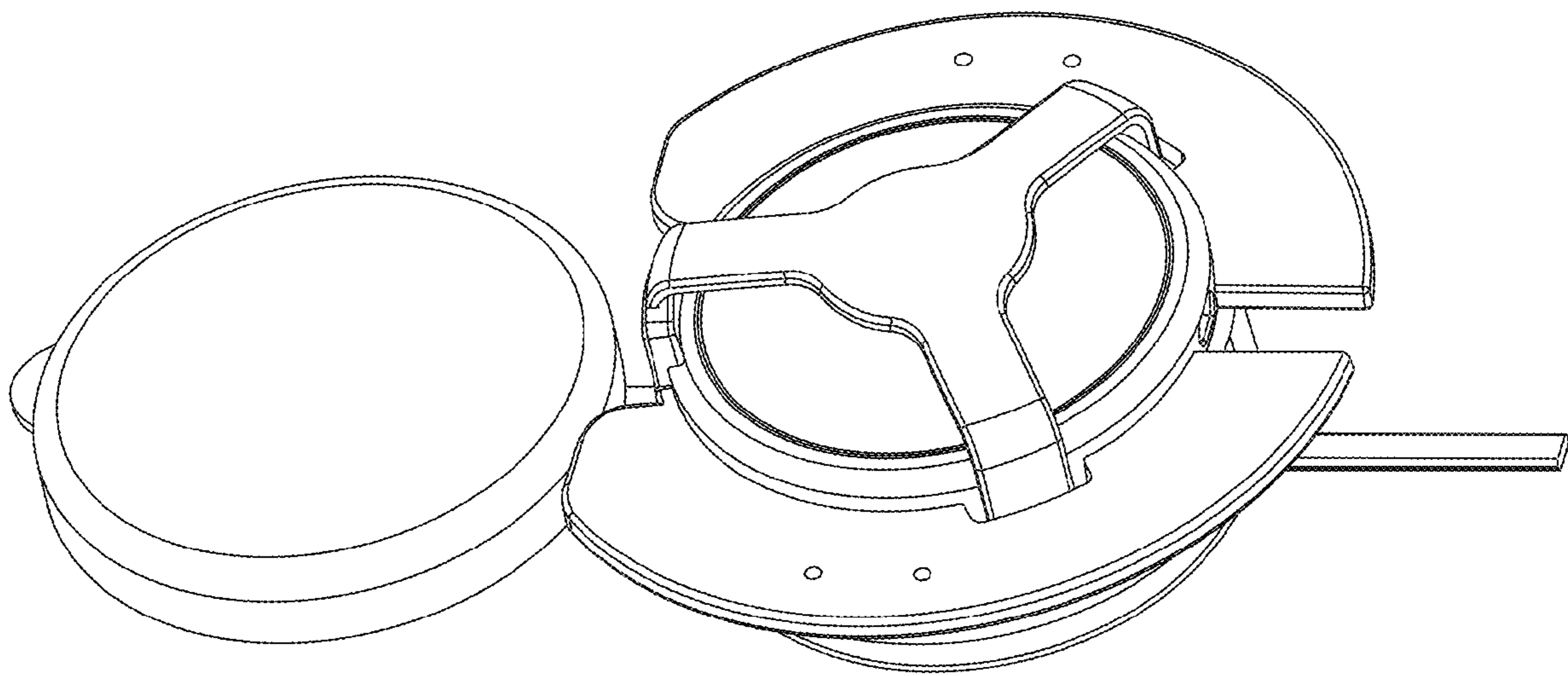


FIG. 1

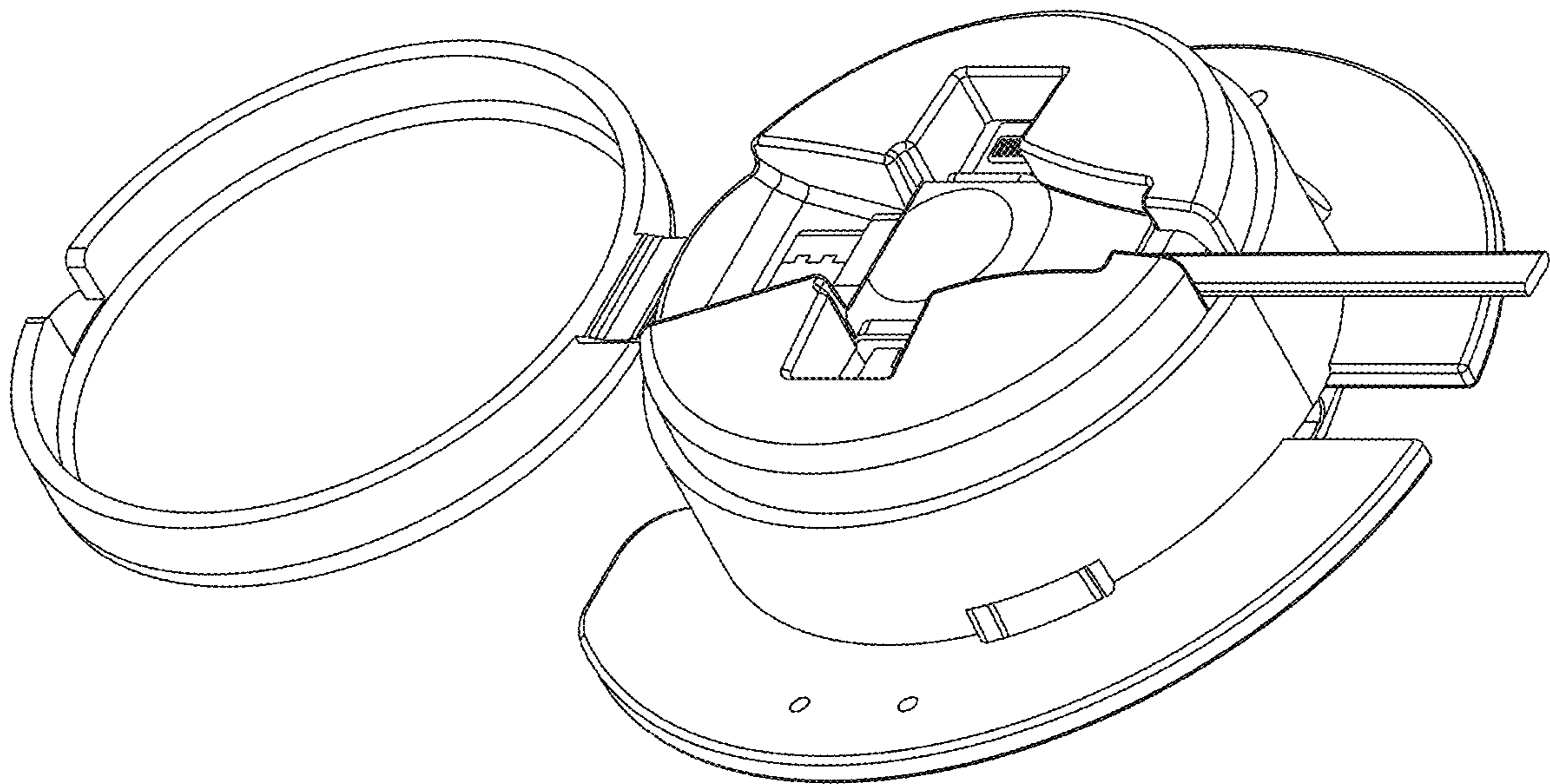


FIG. 2

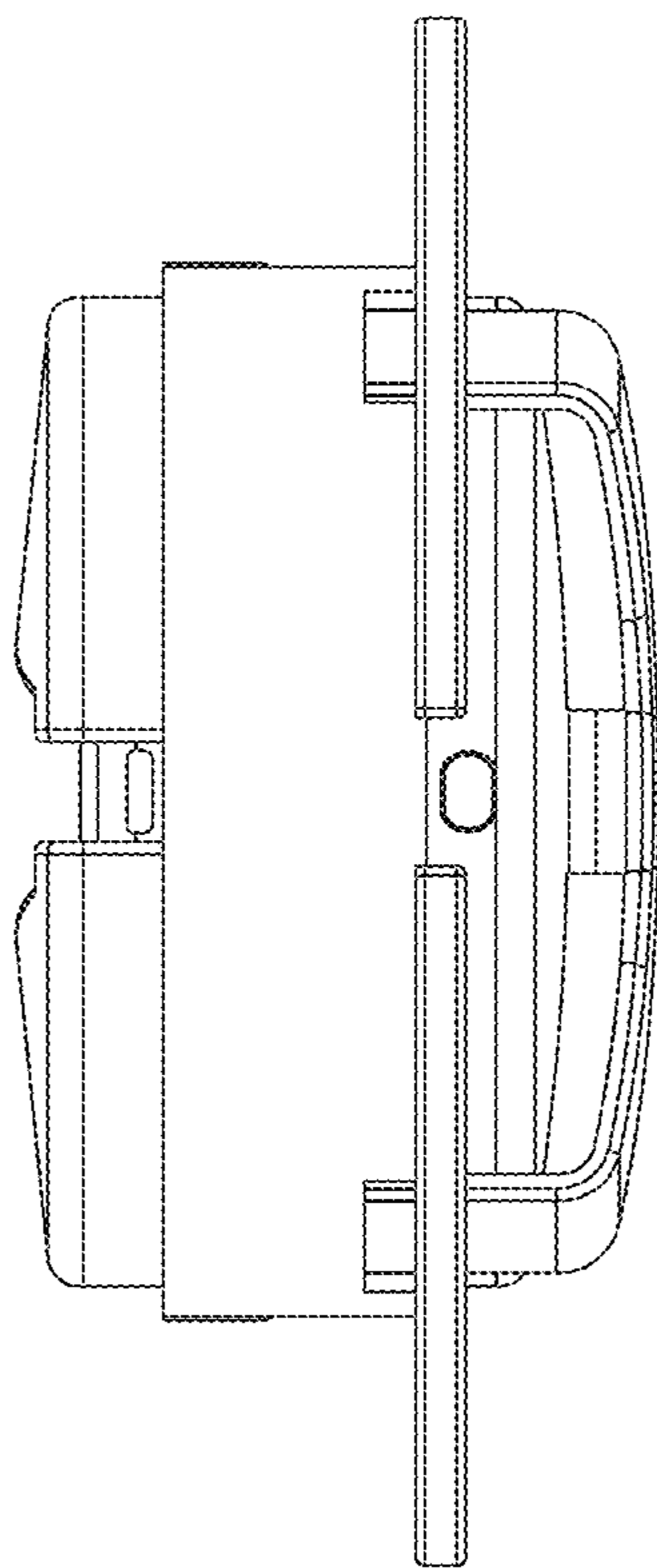


FIG. 3

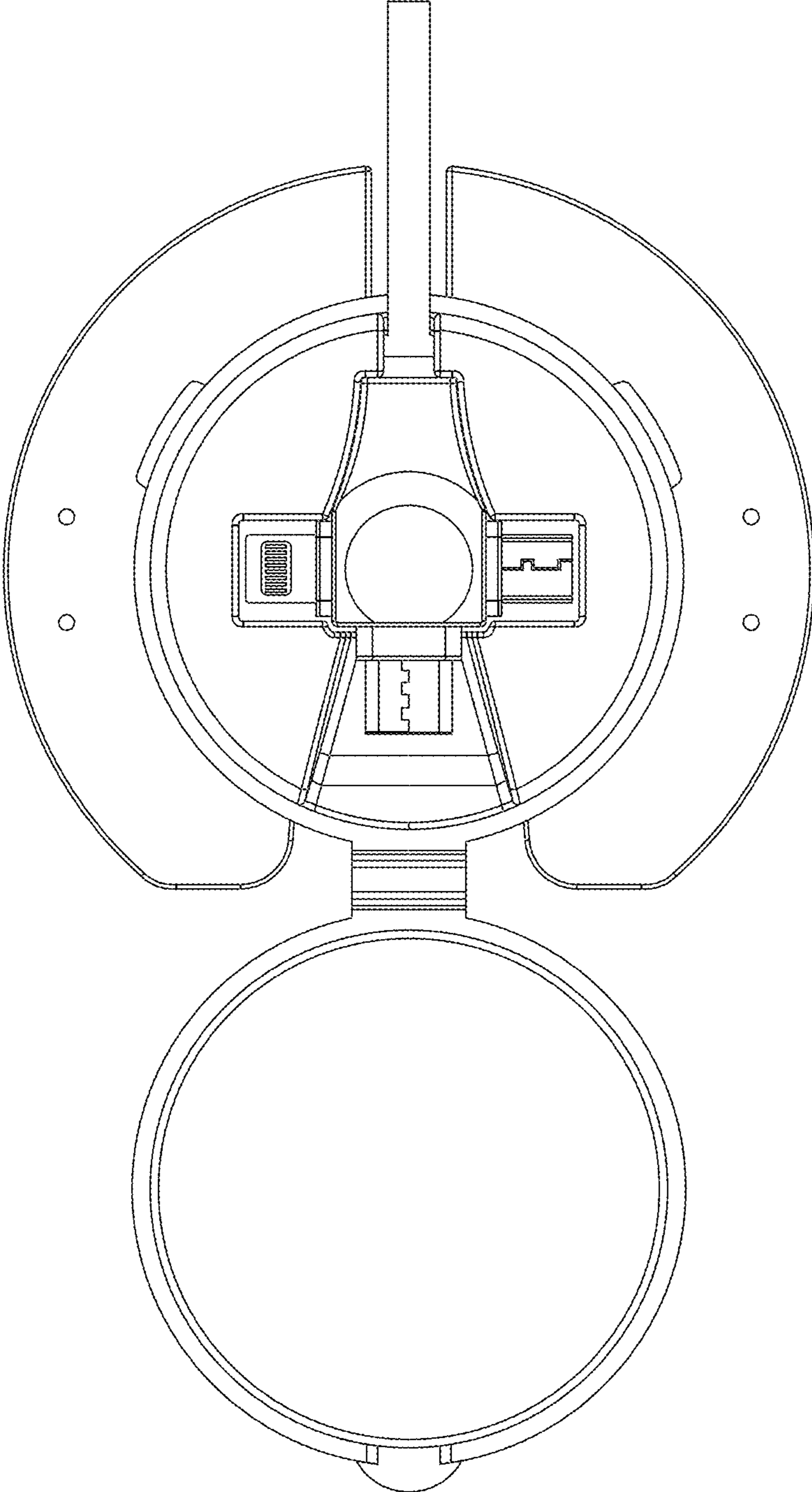


FIG. 4

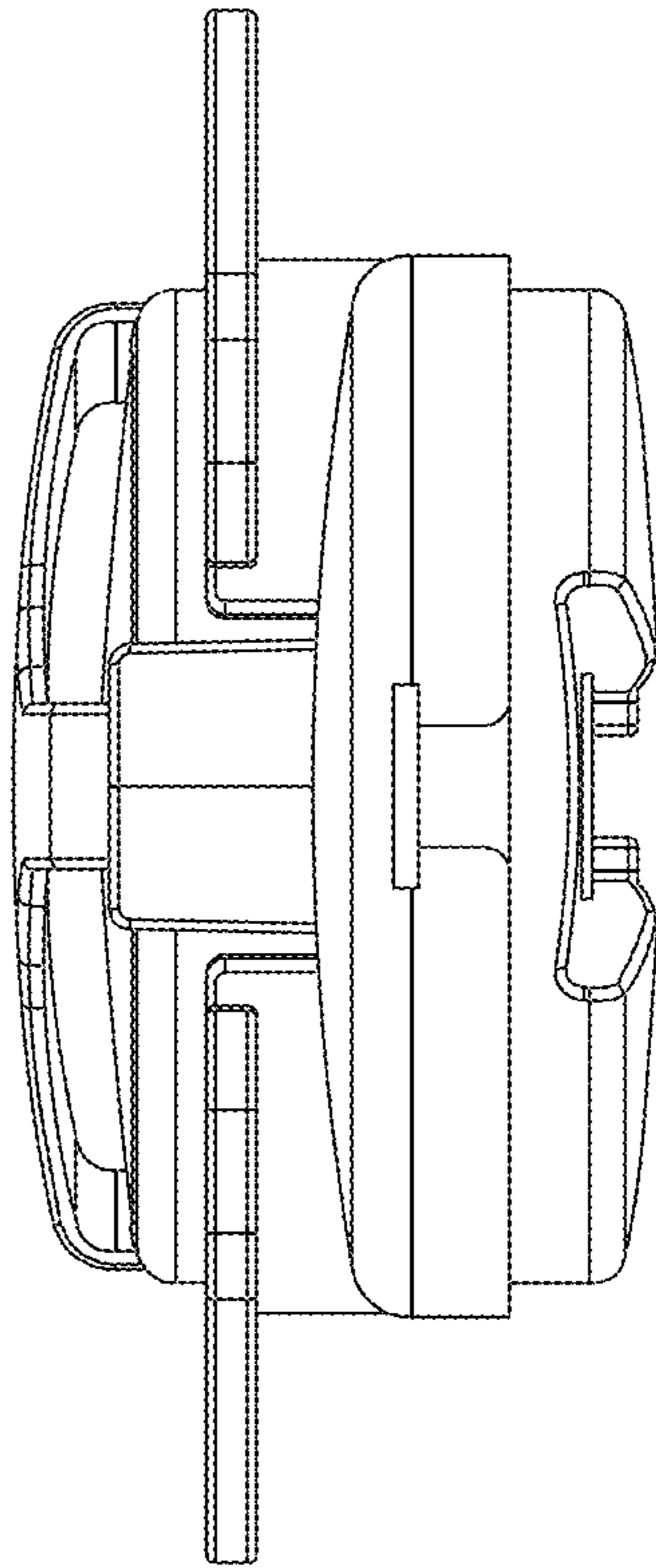


FIG. 5

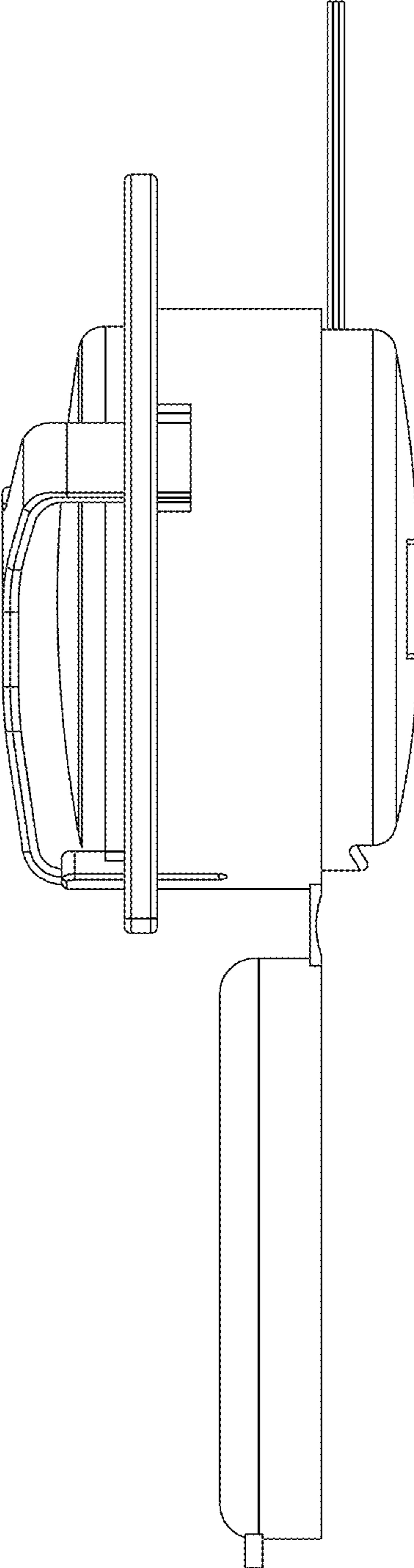


FIG. 6

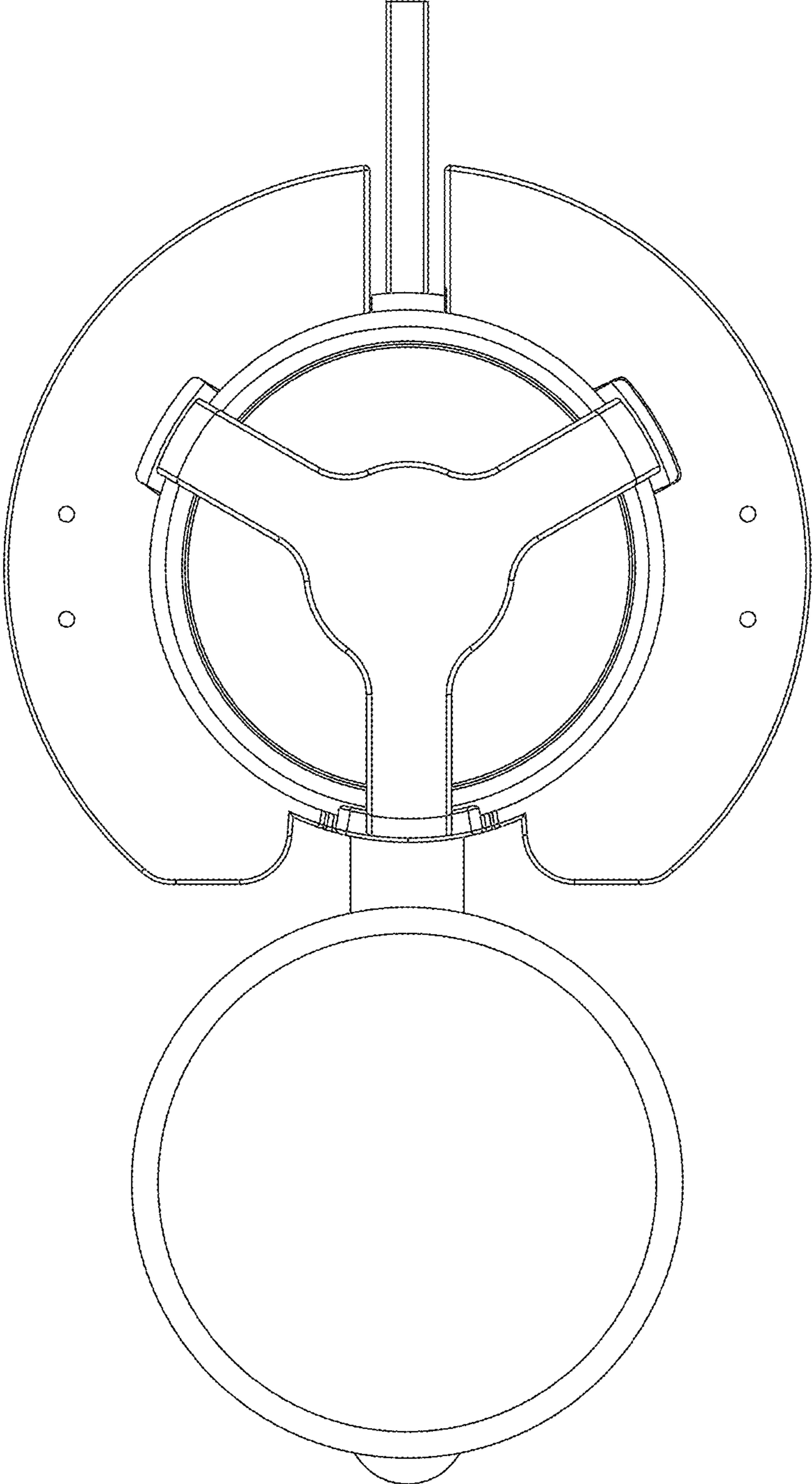


FIG. 7

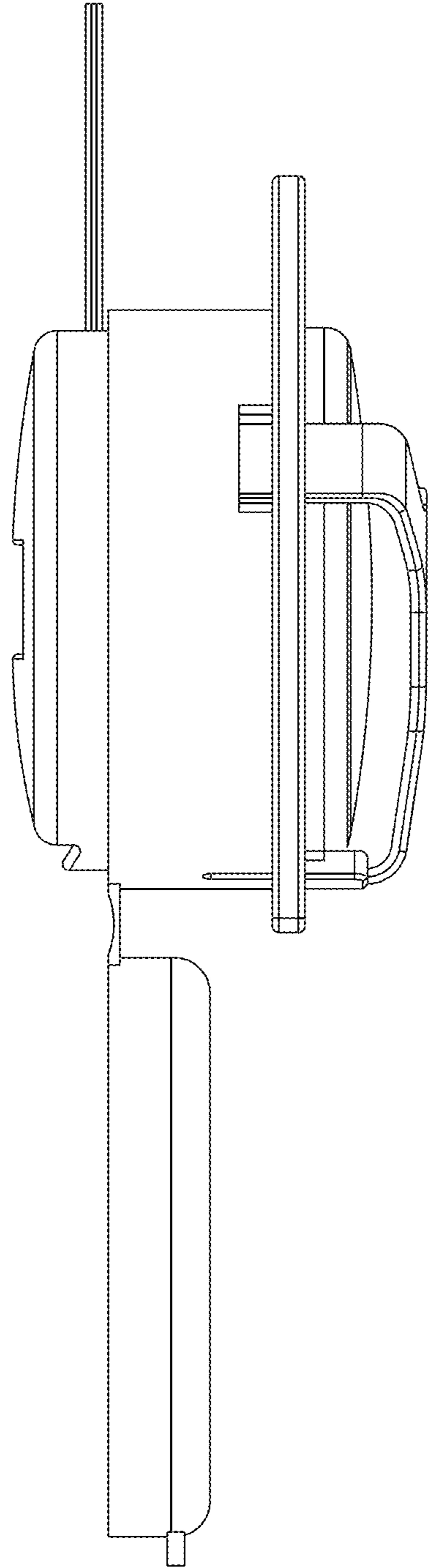


FIG. 8