



US00D984390S

(12) **United States Design Patent**
Suzuki

(10) **Patent No.:** **US D984,390 S**

(45) **Date of Patent:** **** Apr. 25, 2023**

(54) **HOUSING FOR ELECTRICAL EQUIPMENT**

(71) Applicant: **Dexen Industries Inc**, Santa Fe Springs, CA (US)

(72) Inventor: **George Suzuki**, Santa Fe Springs, CA (US)

(73) Assignee: **Dexen Industries Inc**, Santa Fe Springs, CA (US)

(**) Term: **15 Years**

(21) Appl. No.: **29/833,212**

(22) Filed: **Apr. 1, 2022**

(51) **LOC (14) Cl.** **13-03**

(52) **U.S. Cl.**
USPC **D13/147**

(58) **Field of Classification Search**
USPC D13/154, 146, 147, 123, 133, D13/137.1-139.8, 110, 159, 184, 199, D13/112, 101, 113-116, 122, 152, 156, D13/151; D8/354, 356; D14/433
CPC H01R 2201/00; H01R 2201/02; H01R 2201/04; H01R 2201/06; H01R 2201/08; H01R 2201/10; H01R 2201/12; H01R 2201/14; H01R 2201/16; H01R 2201/18; H01R 2201/20; H01R 2201/22; H01R 2201/24; H01R 2201/26; H01R 24/62; H01R 9/03; H01R 9/15; H01R 12/88; H01R 12/89; H01R 13/26; H01R 13/62983; H01R 13/62994; H01R 13/659; H01R 24/40; H01R 12/774; H01R 9/05
See application file for complete search history.

(56) **References Cited**

U.S. PATENT DOCUMENTS

D318,263 S * 7/1991 Shimochi D13/146
D318,852 S * 8/1991 Matsumoto D13/146
D365,327 S * 12/1995 Reed D13/152
D366,456 S * 1/1996 Rodriguez D13/152
D401,226 S * 11/1998 Inoko D13/184
D408,363 S * 4/1999 Hsiang D13/151

D536,670 S * 2/2007 Mahoney D13/133
D621,782 S * 8/2010 Chang D13/138.1
D783,537 S * 4/2017 Skov D13/147
D841,628 S * 2/2019 Sakamoto D13/133
D954,668 S * 6/2022 Feurtado D13/133
D963,580 S * 9/2022 Gao D13/133

OTHER PUBLICATIONS

HHT OEM IPI Control Module, Date First Available: Aug. 21, 2018, [online], [retrieved on Dec. 4, 2022]. Retrieved from Internet ,<URL: https://www.amazon.com/HHT-OEM-Control-Module-2166-338/dp/B07KPYWLC7/ref=sr_1_44?crid=2NIQ83NWXG1DTD&keywords=electrical+Dexen+Industries%2C+Inc.&qid=1670210087&srefix=electrical+dexen+industries%2C+inc.%2Caps%2C186&sr=8-44>.*

6V Electronic Igniton Fireplace Module, Date First Available: Mar. 11, 2019, [online], [retrieved on Dec. 4, 2022]. Retrieved from Internet ,<URL: https://www.amazon.com/Electronic-Fireplace-Hearth-Home-2166-347/dp/B07GV5KXVF/ref=sr_1_49?crid=2NIQ83NWXG1DTD&keywords=electrical+Dexen+Industries%2C+Inc.&qid=1670210087&srefix=electrical+dexen+industries%2C+inc.%2Caps%2C186&sr=8-49>.*

* cited by examiner

Primary Examiner — Bridget L Eland

(74) *Attorney, Agent, or Firm* — Mark Terry

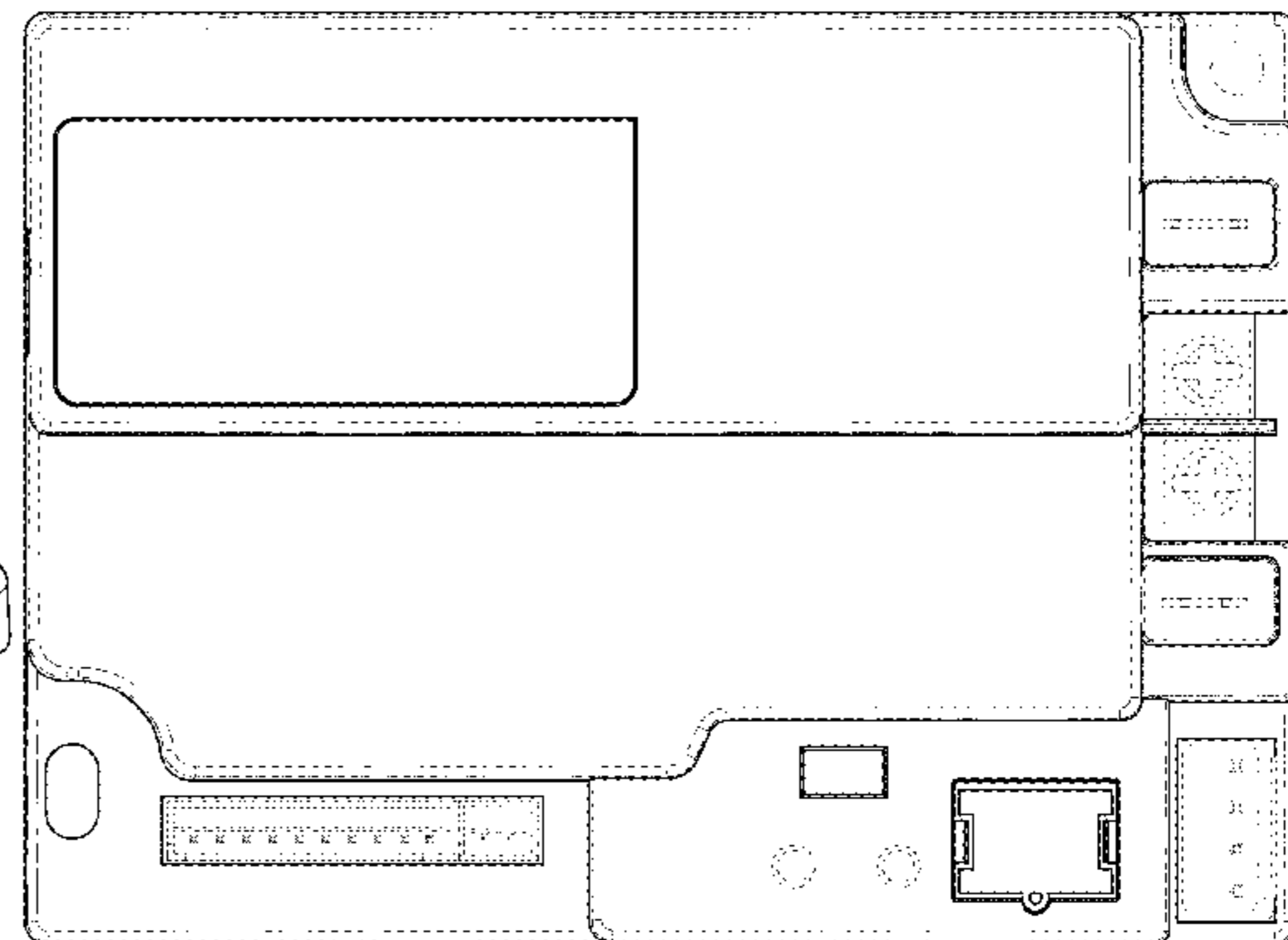
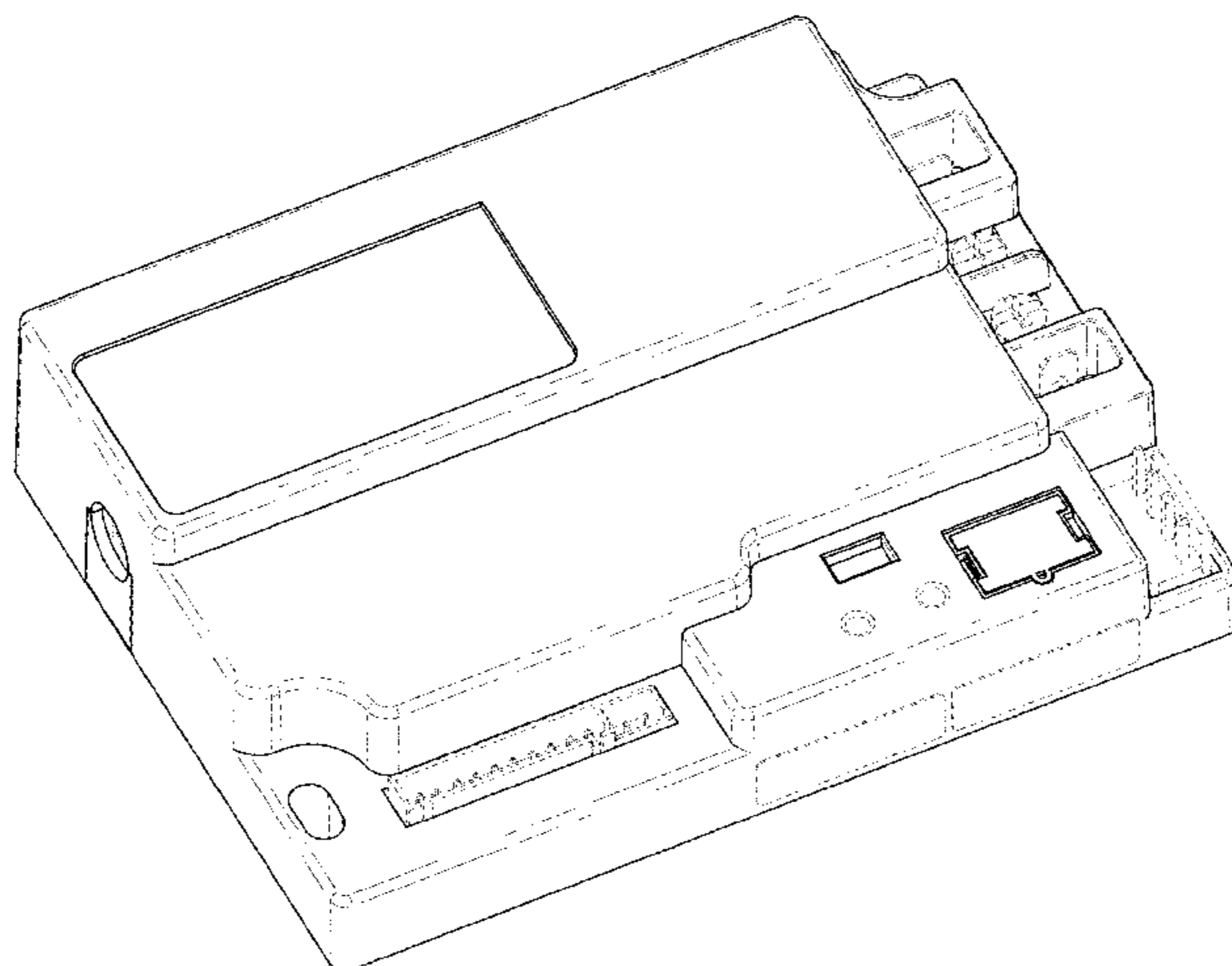
(57) **CLAIM**

The ornamental design for a housing for electrical equipment, as shown and described.

DESCRIPTION

FIG. 1 is a top perspective view of the housing for electrical equipment, showing the new design;
FIG. 2 is a bottom perspective view thereof;
FIG. 3 is a front view thereof;
FIG. 4 is a top view thereof;
FIG. 5 is a bottom view thereof;
FIG. 6 is a rear view thereof;
FIG. 7 is right side view thereof; and,
FIG. 8 is a left side view thereof.

(Continued)



The uniformly dashed lines shown in the drawings illustrate portions of the housing for electrical equipment which form no part of the claimed design.

1 Claim, 4 Drawing Sheets

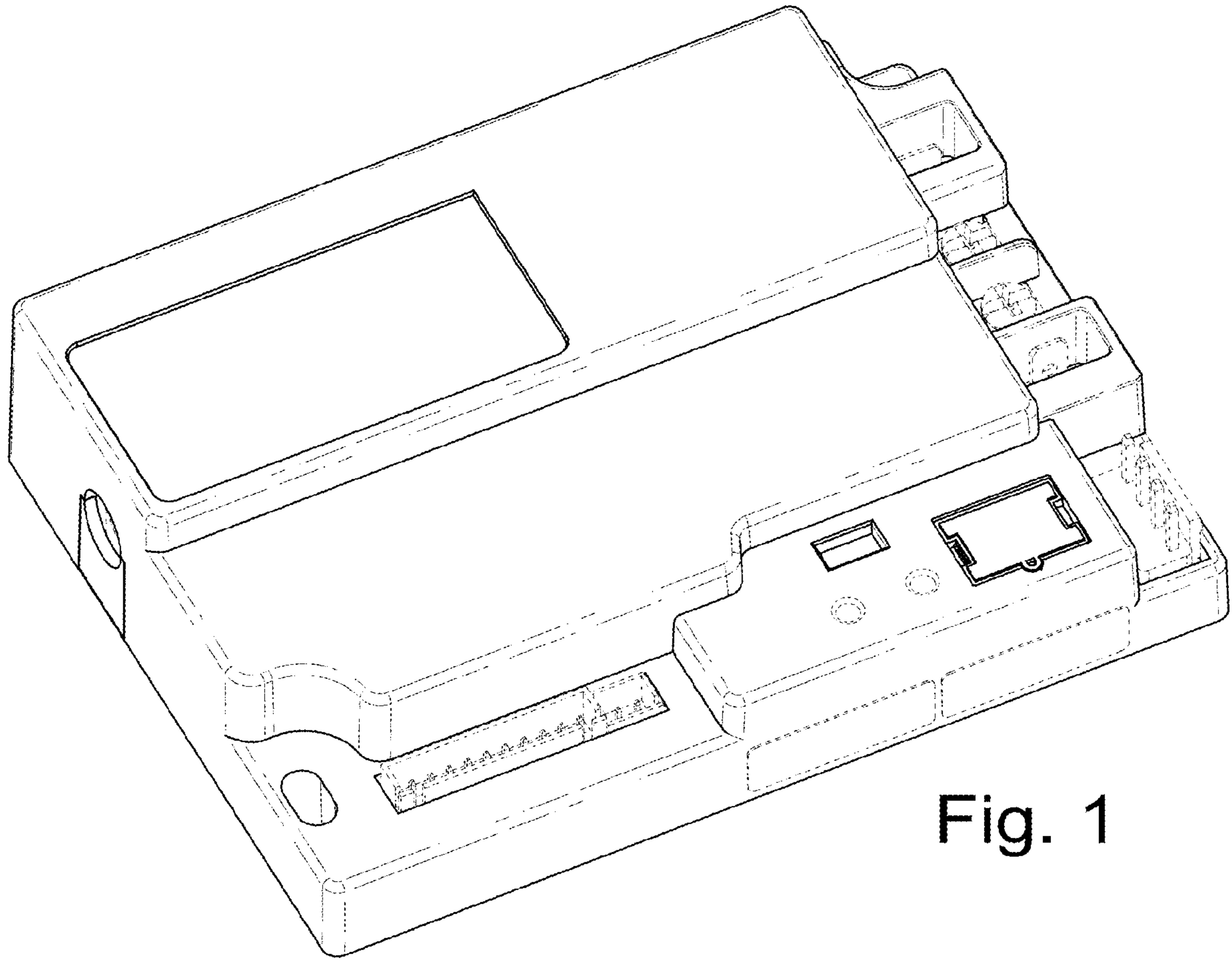


Fig. 1

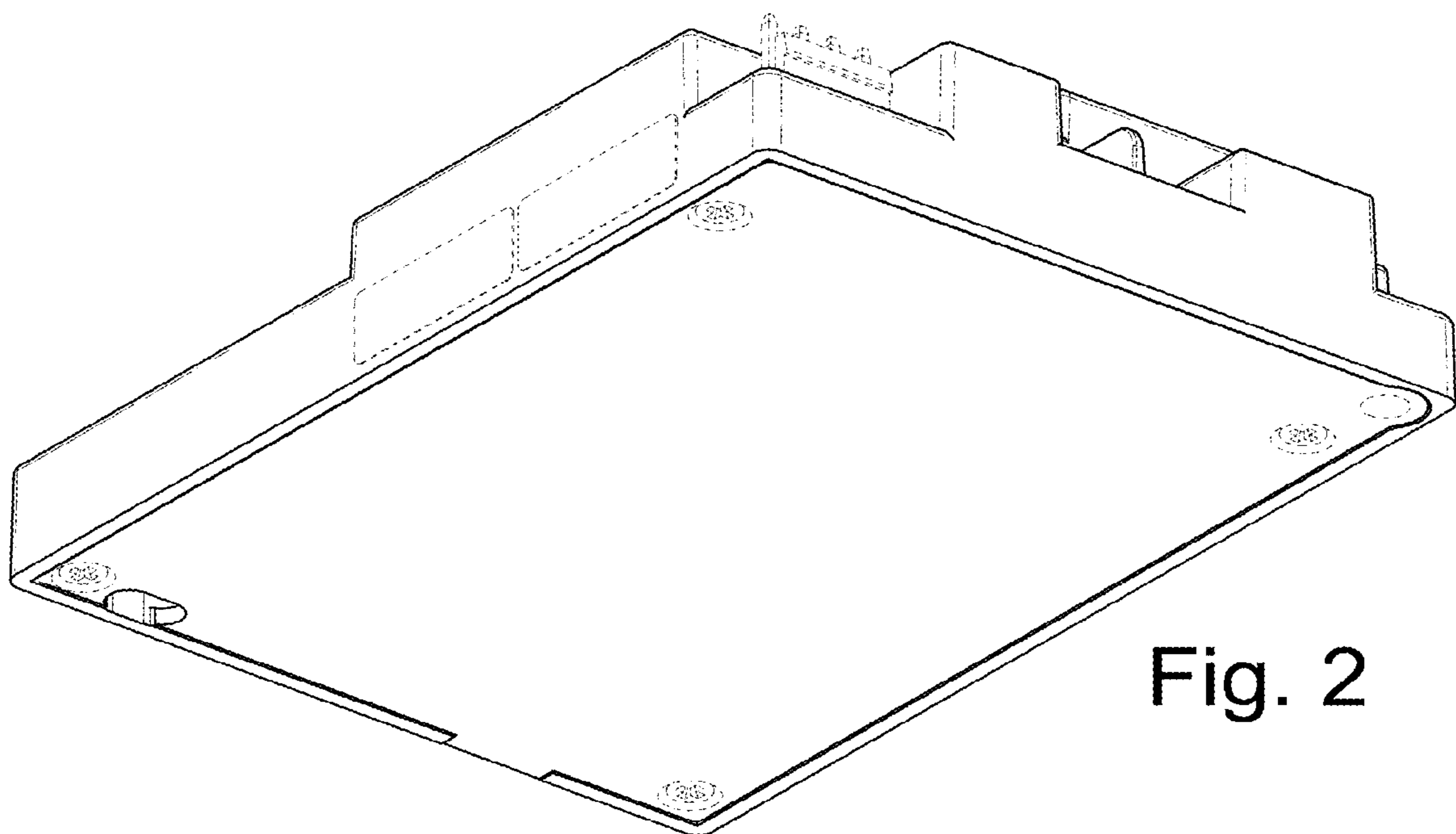


Fig. 2

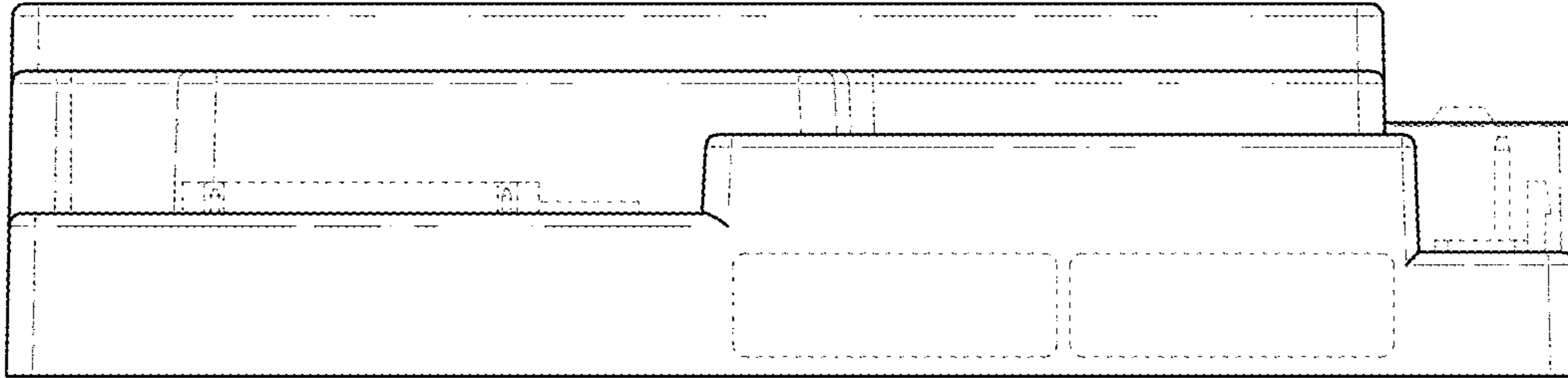


Fig. 3

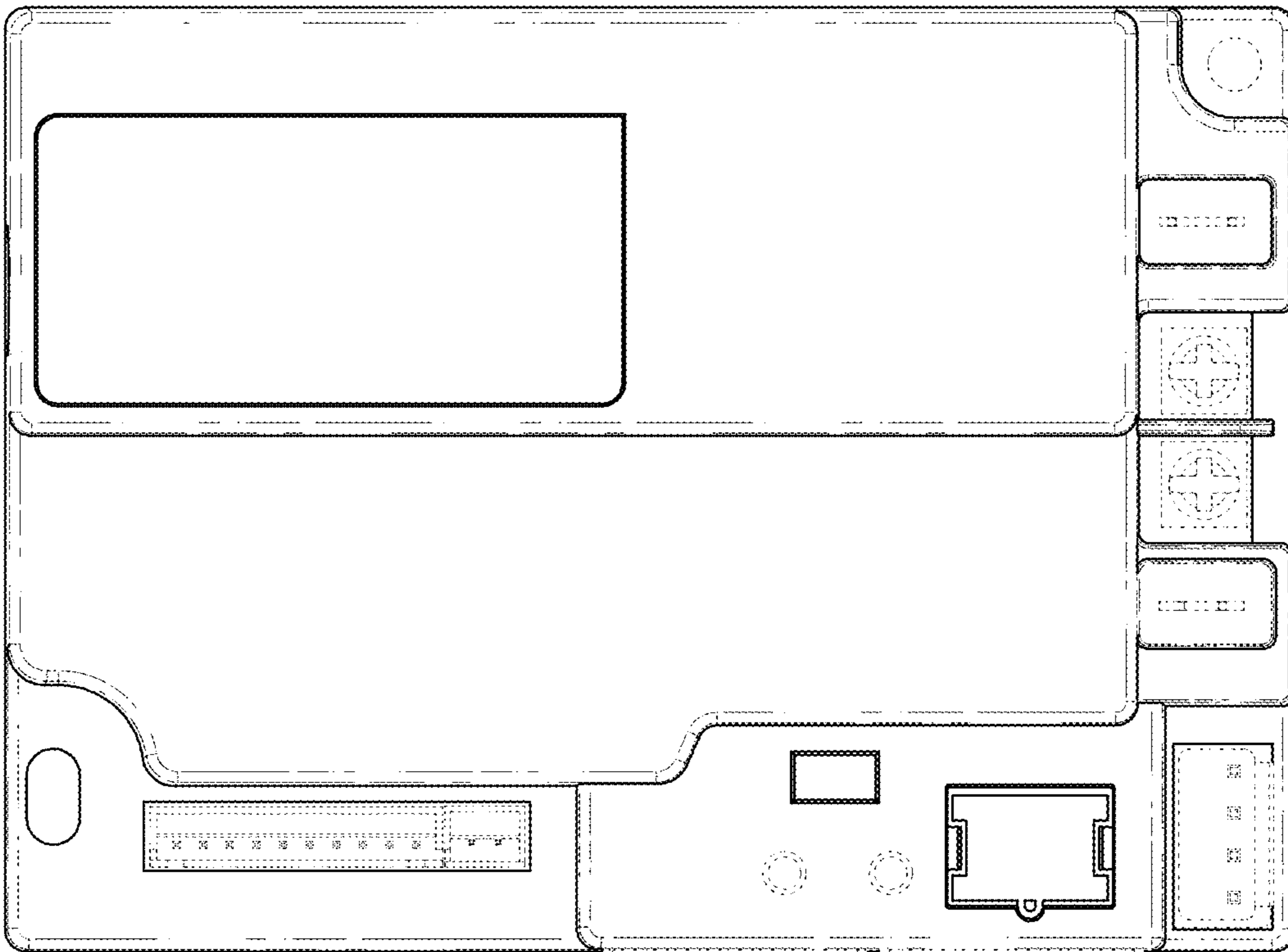


Fig. 4

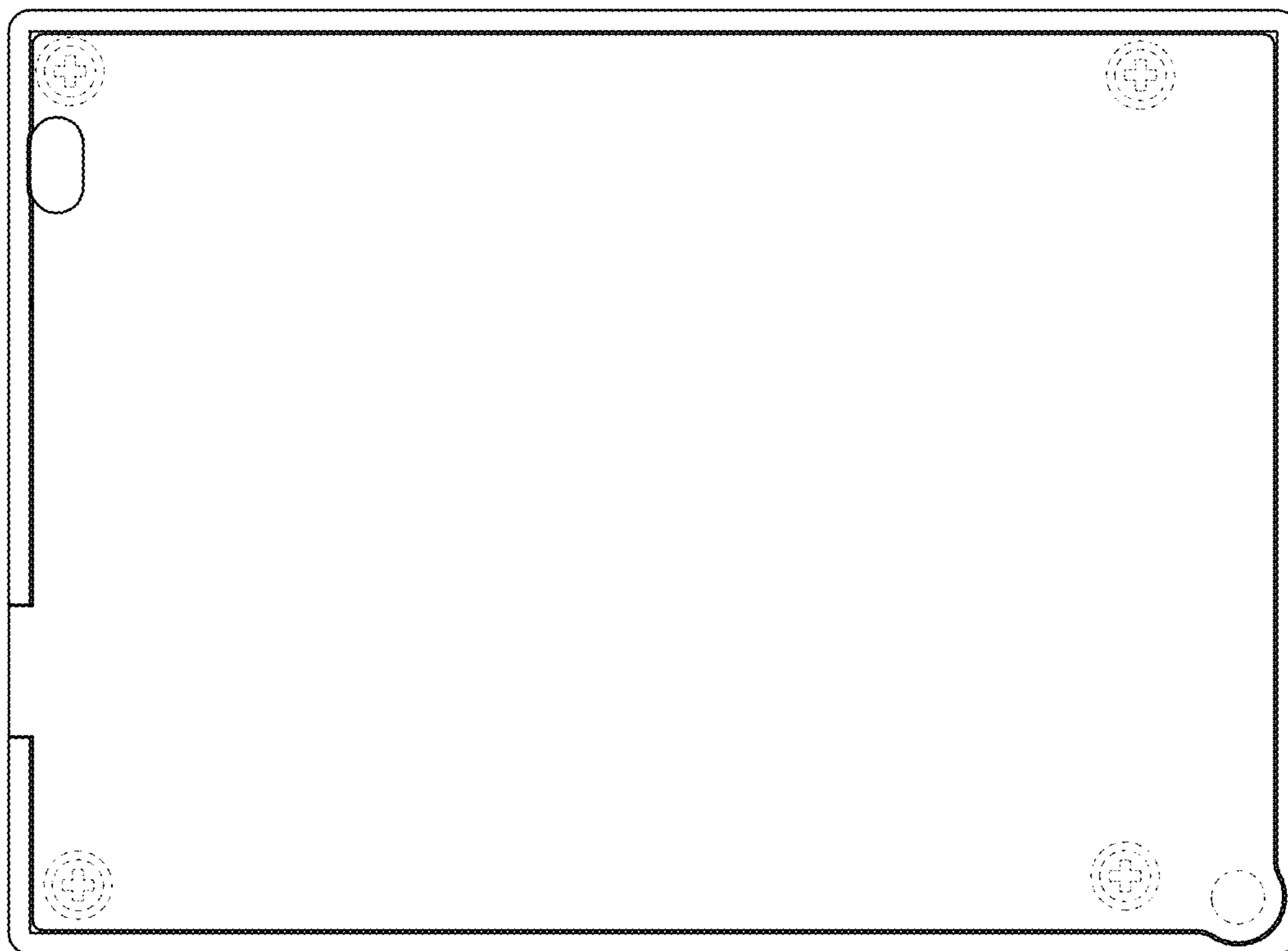


Fig. 5

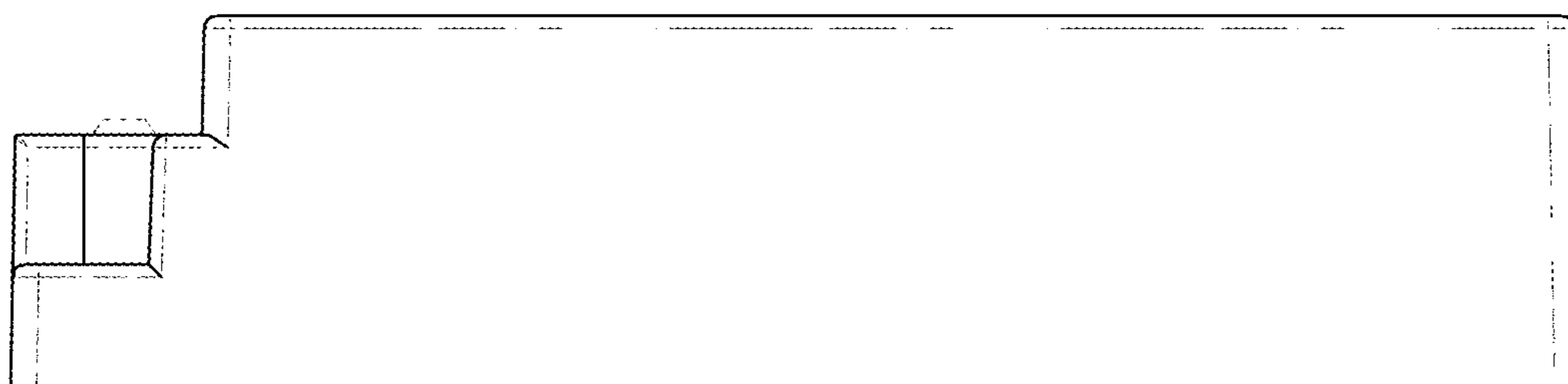


Fig. 6

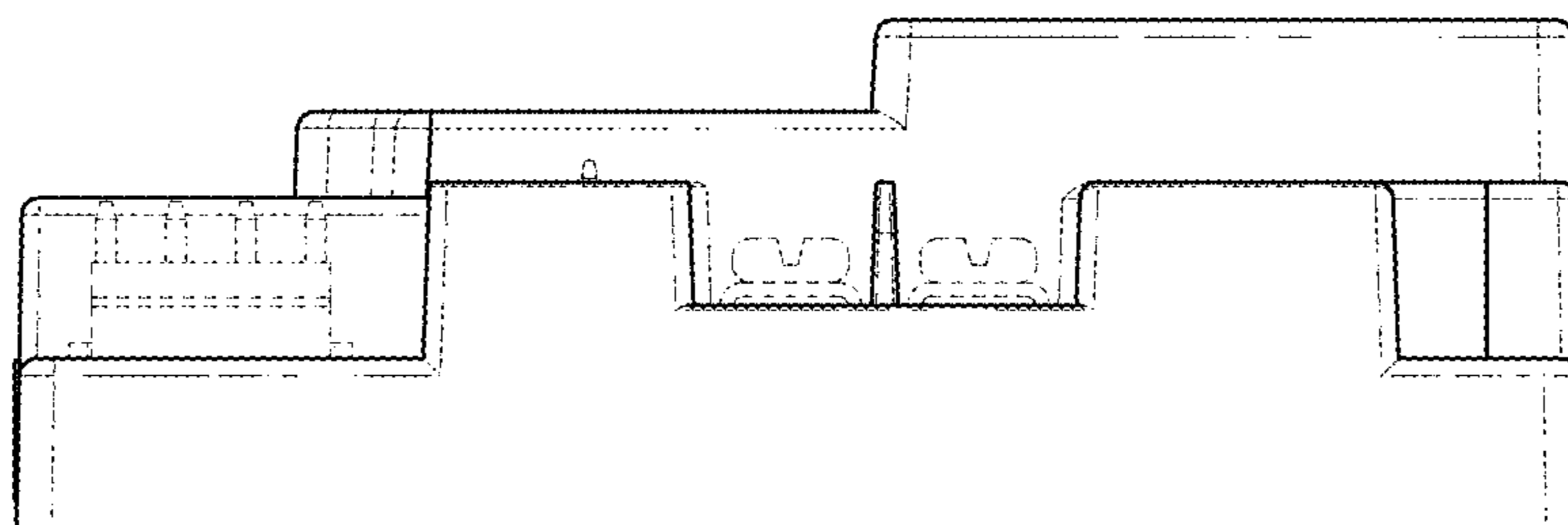


Fig. 7

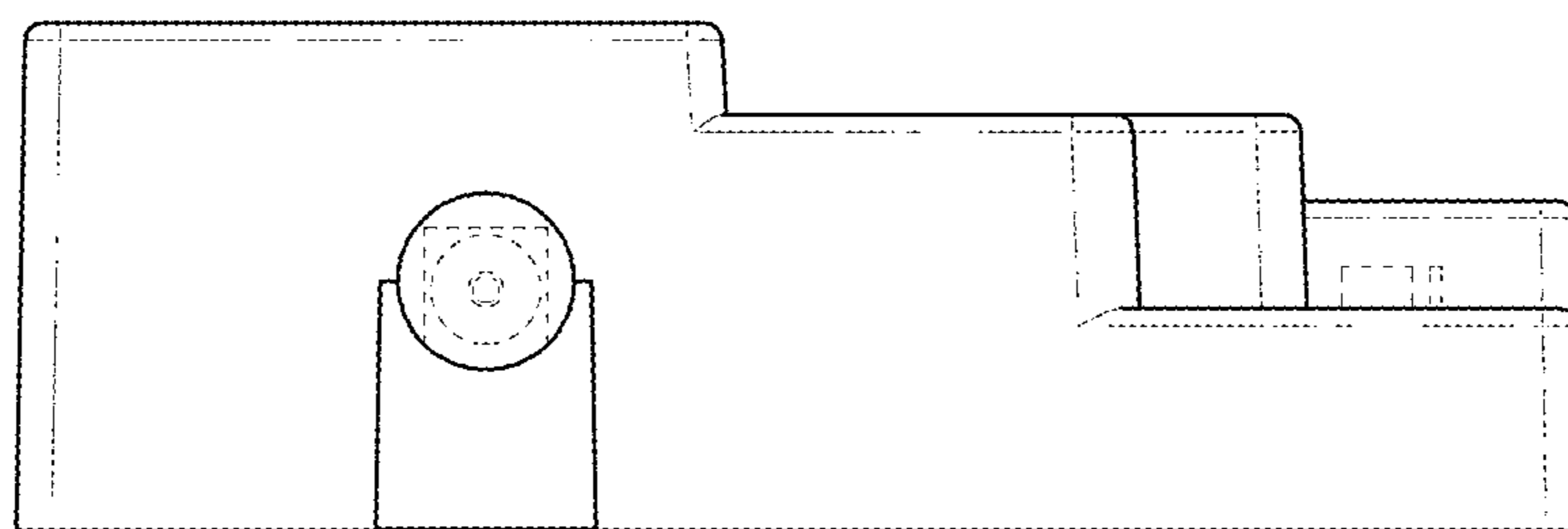


Fig. 8