



US00D984389S

(12) **United States Design Patent**
Pan

(10) **Patent No.:** **US D984,389 S**

(45) **Date of Patent:** **** Apr. 25, 2023**

(54) **SOCKET**

(71) Applicant: **SHENZHEN DIANLING INTELLIGENT TECHNOLOGY CO., LTD.**, Shenzhen (CN)

(72) Inventor: **Zhenxiong Pan**, Shenzhen (CN)

(73) Assignee: **SHENZHEN DIANLING INTELLIGENT TECHNOLOGY CO., LTD.**, Shenzhen (CN)

(**) Term: **15 Years**

(21) Appl. No.: **29/786,397**

(22) Filed: **May 31, 2021**

(51) **LOC (14) Cl.** **13-03**

(52) **U.S. Cl.**
USPC **D13/137.2**

(58) **Field of Classification Search**
USPC D13/137.1, 137.2, 137.3, 137.4, 138.1, D13/138.2, 139.1, 139.2, 139.3, 139.4, D13/139.5, 139.6, 139.7, 139.8, 184, 199
CPC H01R 13/11; H01R 13/518; H01R 13/642; H01R 13/652; H01R 25/003; H01R 25/006; H01R 43/26; H01H 71/62; H01H 73/14

See application file for complete search history.

(56) **References Cited**

U.S. PATENT DOCUMENTS

D559,782 S *	1/2008	Slasinski	D13/137.1
D775,078 S *	12/2016	Peng	D13/137.2
D867,996 S *	11/2019	Chen	D13/137.2
D881,809 S *	4/2020	Lyu	D13/137.2
D886,062 S *	6/2020	Du	D13/137.2
D886,742 S *	6/2020	Lyu	D13/137.2
D900,750 S *	11/2020	Amoss	D13/138.2

D923,576 S *	6/2021	Lyu	D13/137.2
D947,781 S *	4/2022	Wei	D13/137.2
D958,754 S *	7/2022	Huang	D13/139.7
D975,651 S *	1/2023	Pan	D13/137.3
D975,652 S *	1/2023	Xiong	D13/137.3

FOREIGN PATENT DOCUMENTS

CN	306941568	*	11/2021
GB	2061870	*	3/1997

OTHER PUBLICATIONS

“Shen Zhen Dianling Intelligent Technology DS-2211M Smart WiFi + BLE Plug User Manual”, first published Mar. 6, 2022. Manuals.Plus [https://manuals.plus/shen-zhen-dianling-intelligent-technology/ds-2211m-smart-wifi-ble-plug-manual#axzz7s75yT67a] (Year: 2022).*

(Continued)

Primary Examiner — Rosemary K Tarcza
Assistant Examiner — Seth David Kumpf

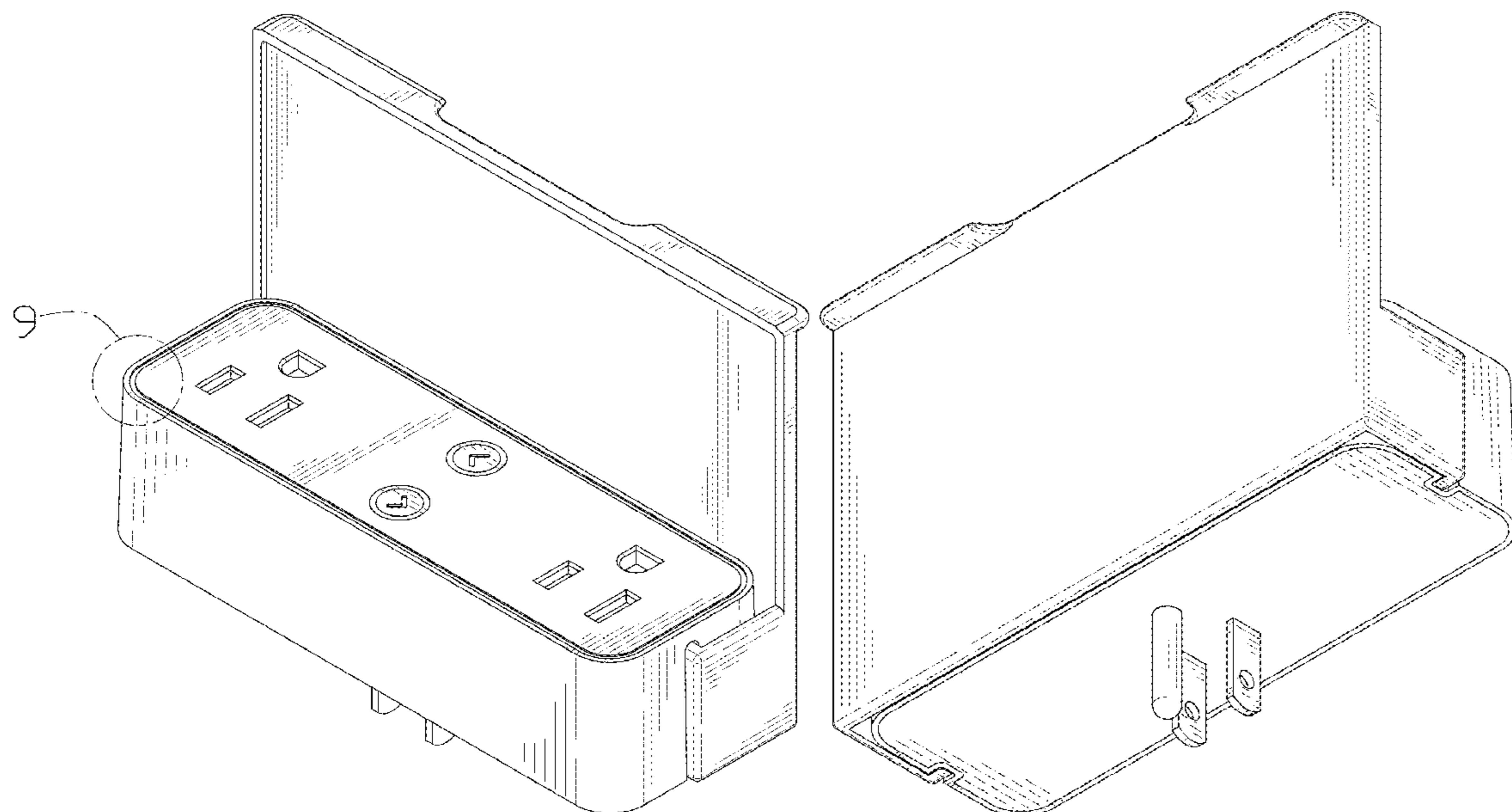
(57) **CLAIM**

The ornamental design for a socket, as shown and described.

DESCRIPTION

FIG. 1 is a perspective view of a socket showing my new design;
FIG. 2 is another perspective view thereof;
FIG. 3 is a front elevational view thereof;
FIG. 4 is a rear elevational view thereof;
FIG. 5 is a left side elevational view thereof;
FIG. 6 is a right side elevational view thereof;
FIG. 7 is a top plan view thereof;
FIG. 8 is a bottom plan view thereof; and,
FIG. 9 is an enlarged view of portion 9 shown in FIG. 1.
The broken lines in the drawings depict portions of the socket that form no part of the claimed design.

1 Claim, 9 Drawing Sheets



(56)

References Cited

OTHER PUBLICATIONS

“Cruise Accessories, Multi Plug Outlet Extender with USB, Tessan Double Electrical Outlet Splitter with 3 USB Wall Charger, Non Surge Protector for Cruise Ship, Travel”, first available Nov. 20, 2020. Amazon.com [<https://www.amazon.com/dp/B08NX4FZFB>] (Year: 2020).*

“Multi Plug Outlet Splitter with USB, Tessan 4 Electrical Multiple Outlet Extender with 3 USB Wall Charger, Mini Double Plug Expander for Travel, Home, Office, Cruise Dorm Essentials”, first available Nov. 25, 2021. Amazon.com [<https://www.amazon.com/dp/B09KXX94D6>] (Year: 2021).*

“Socket Outlet Shelf, ON2NO Surge Protector Wall Outlet, 3AC Outlet and 3 USB Charging Ports, Electric Outlet Extender with Built-in Shelf and Smart Night Light to Create Charging Station”, first available Oct. 22, 2019. Amazon.com [<https://www.amazon.com/dp/B07ZFW31YP>] (Year: 2019).*

* cited by examiner

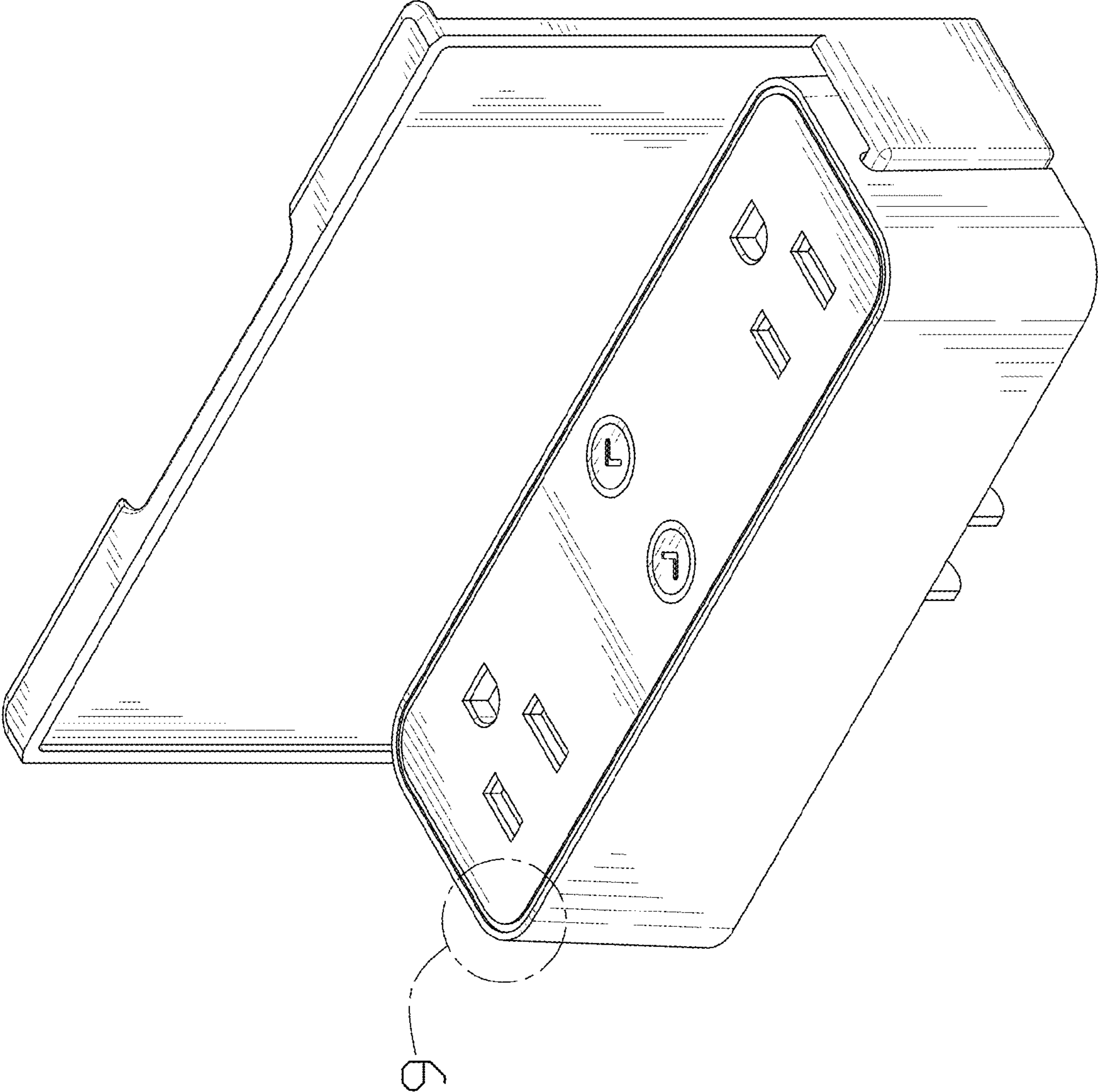


FIG. 1

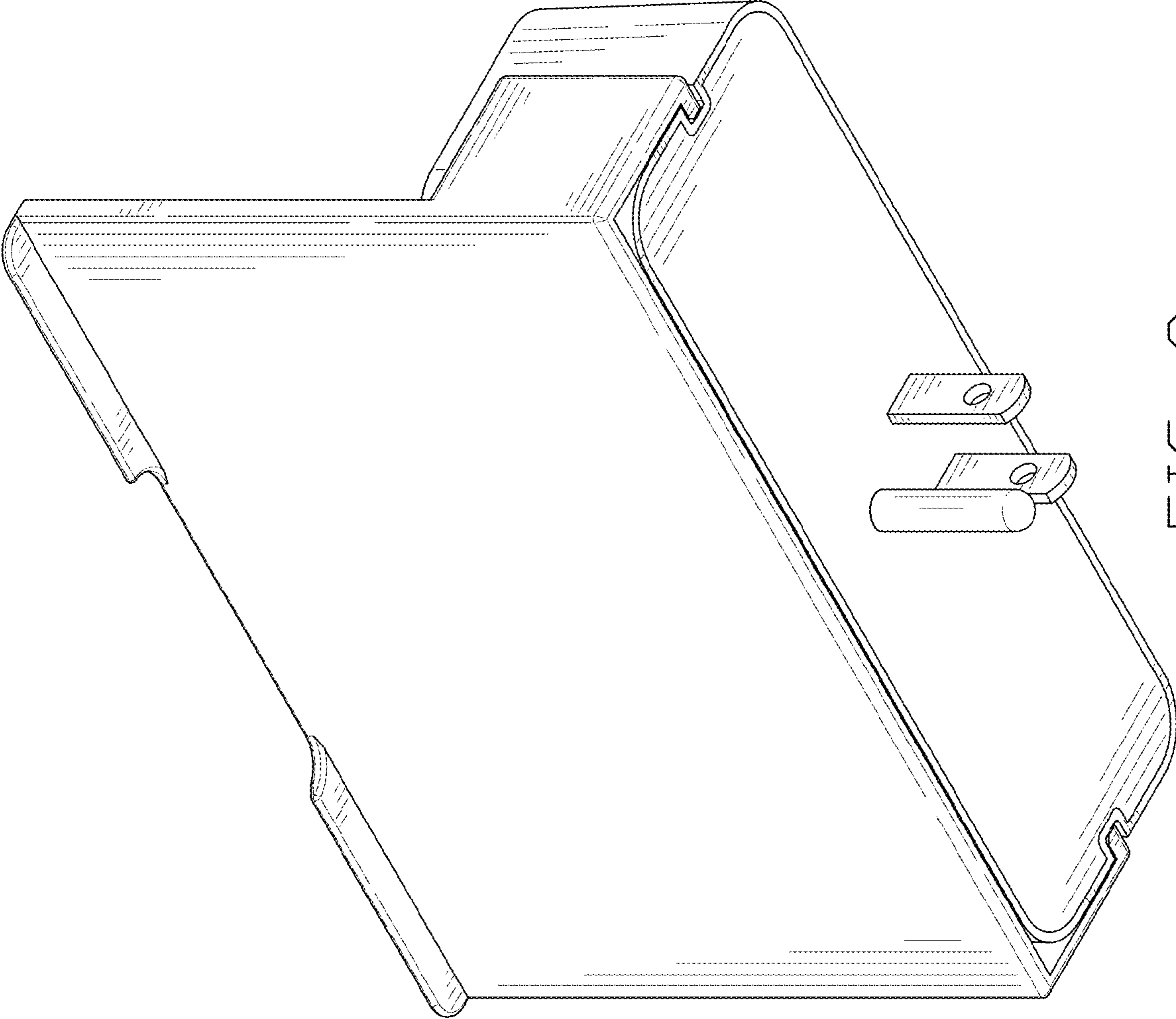


FIG. 2

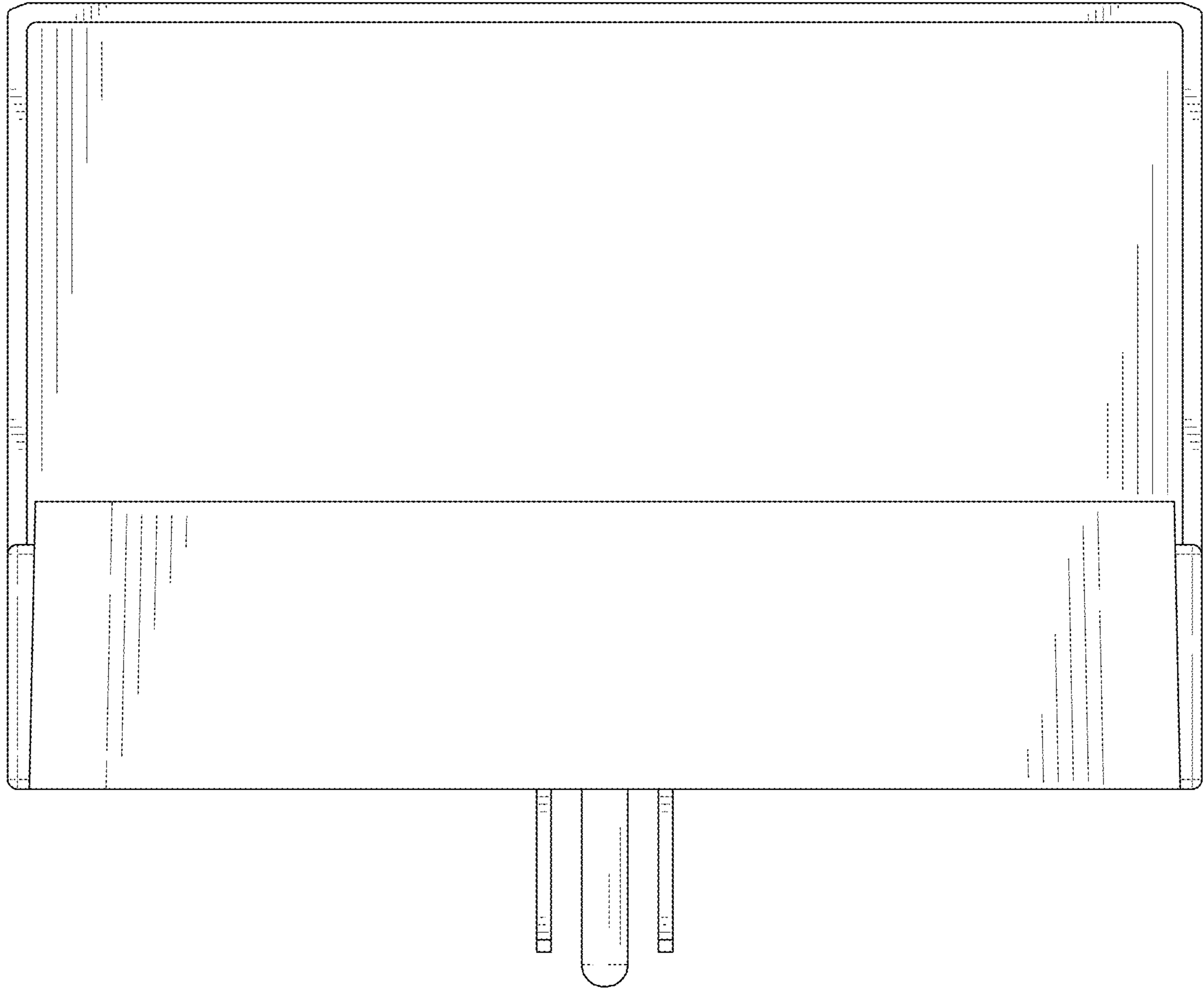


FIG. 3

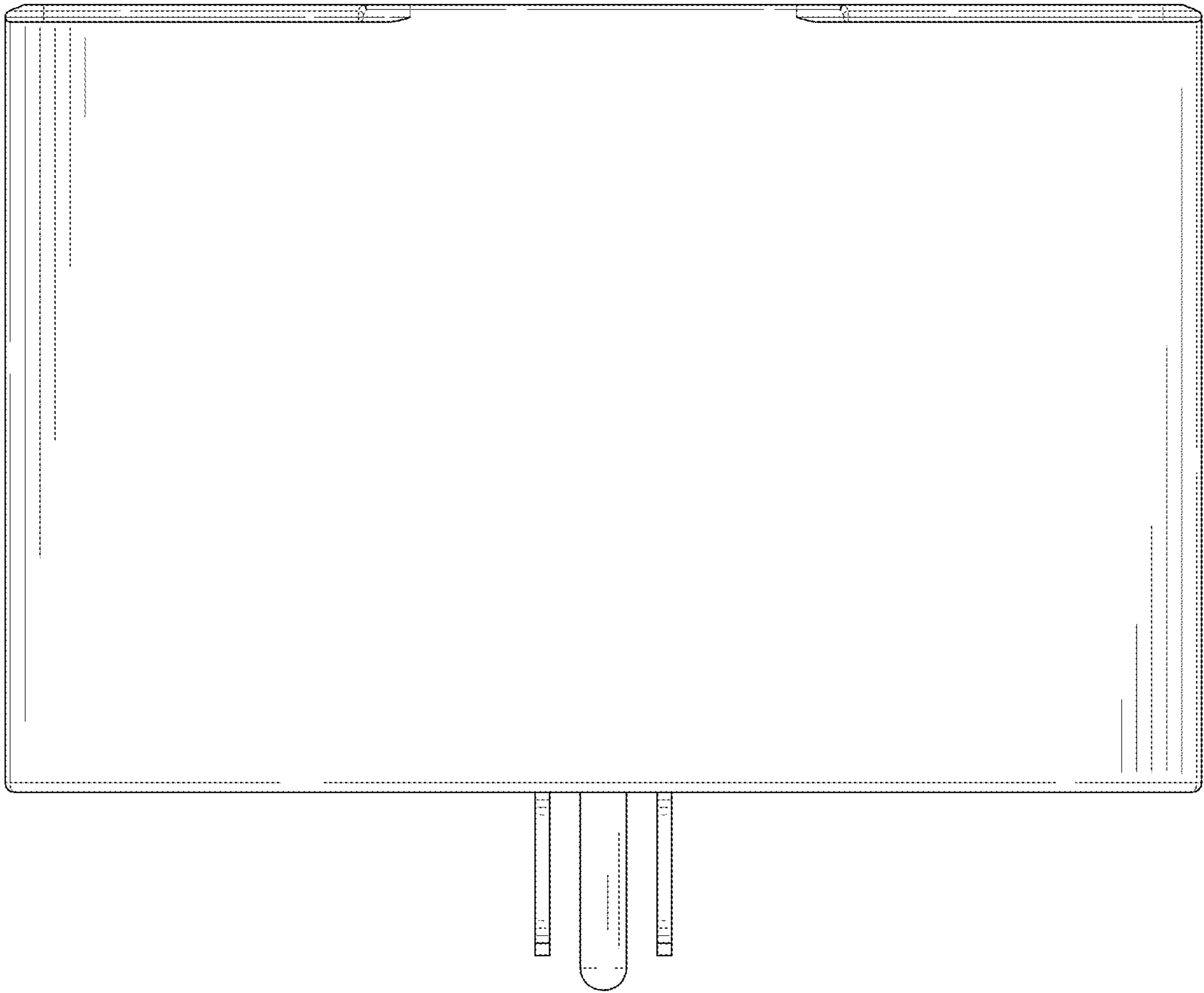


FIG. 4

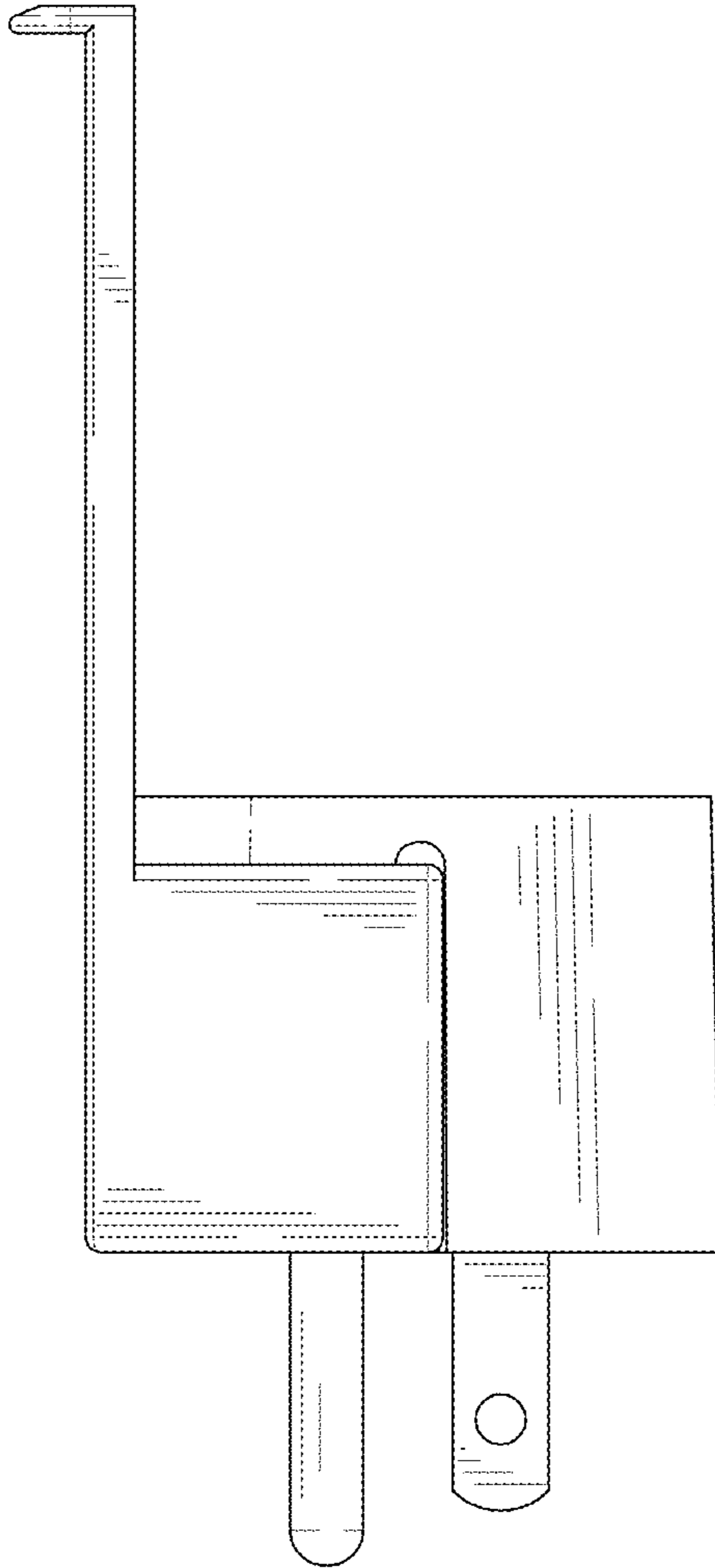


FIG. 5

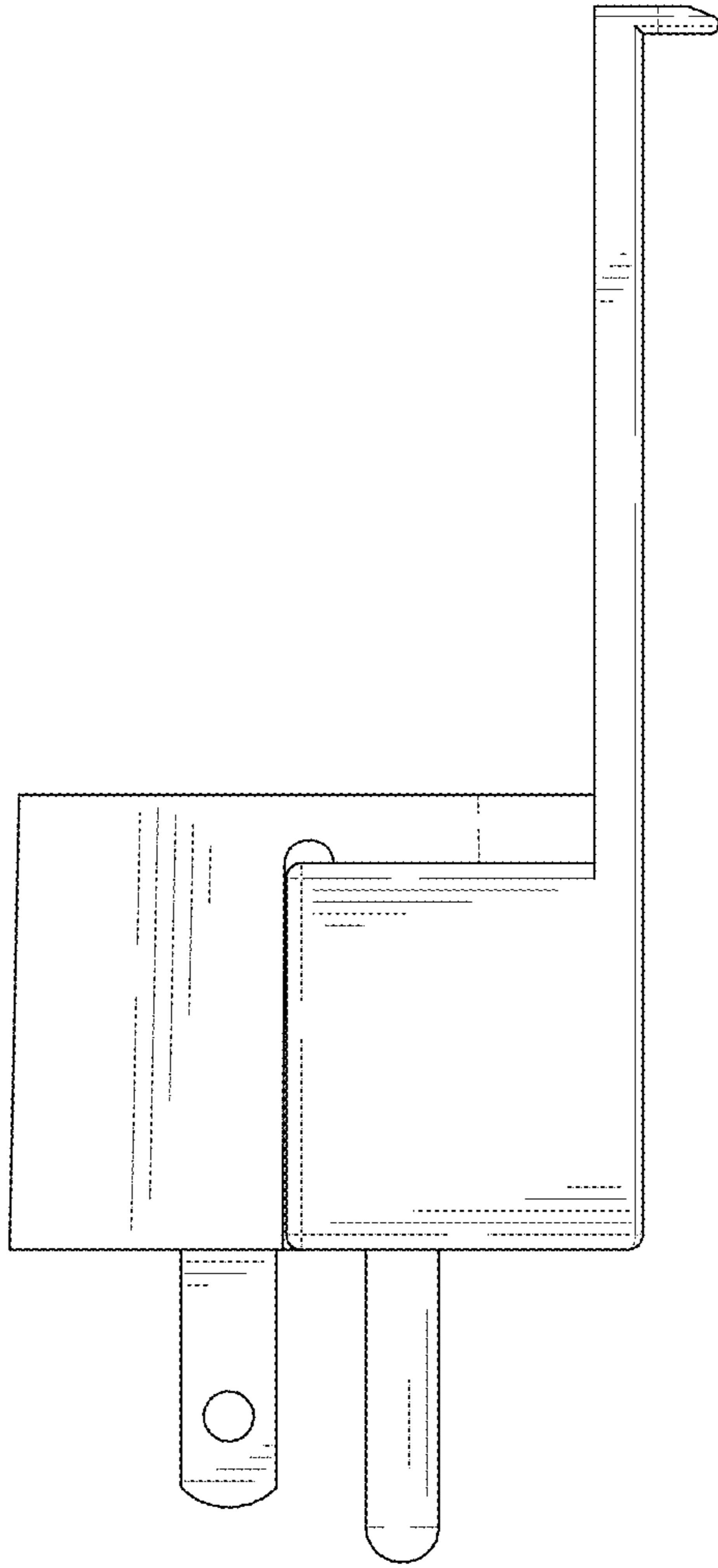


FIG. 6

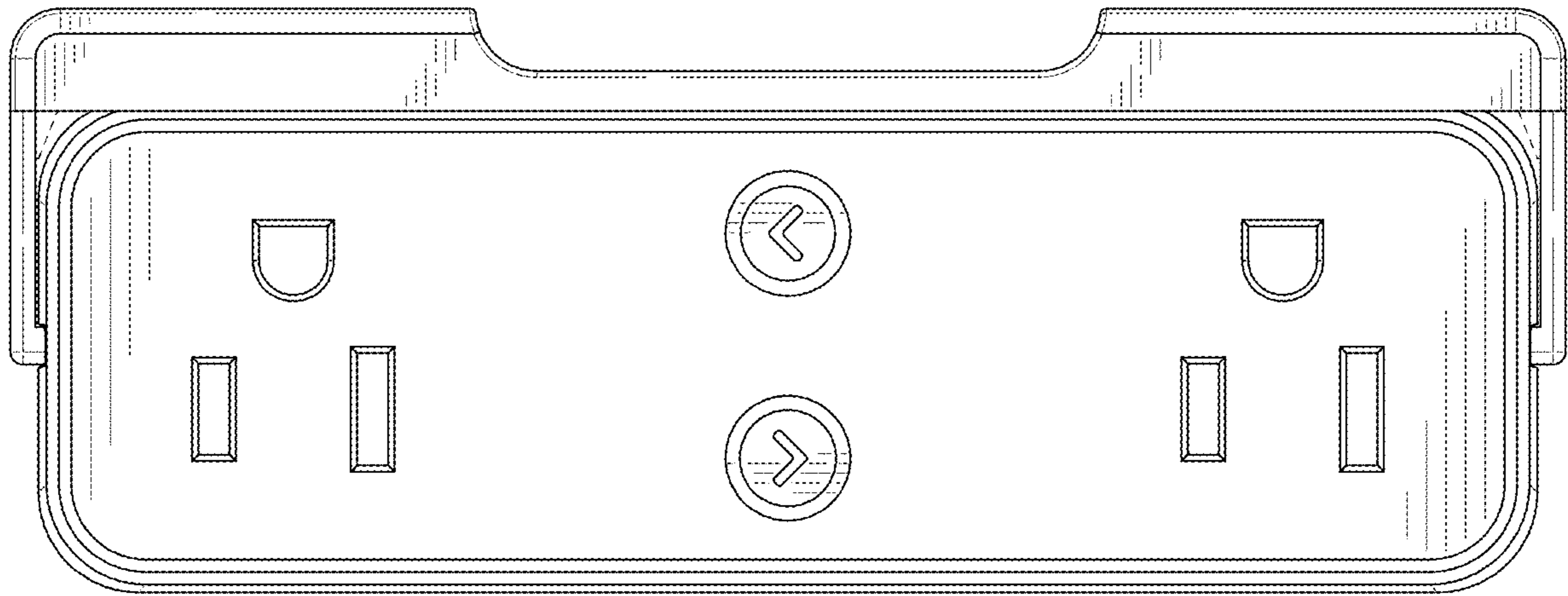


FIG. 7

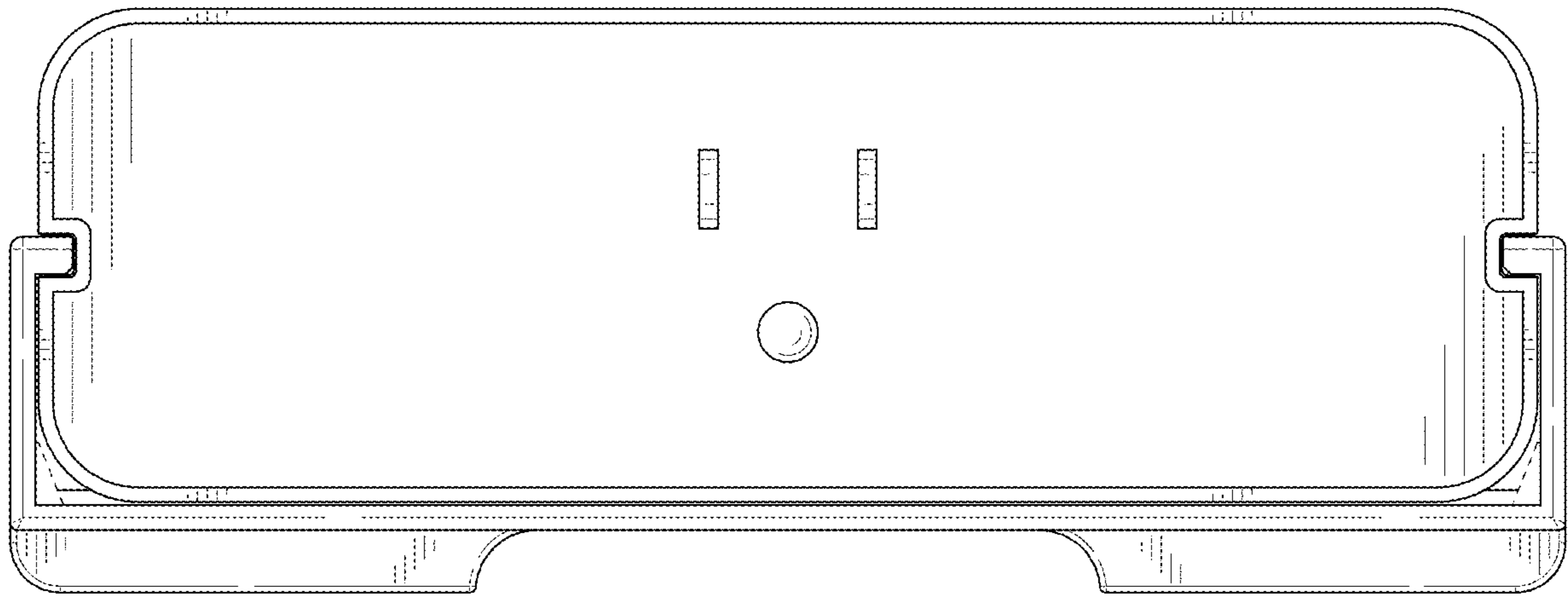


FIG. 8

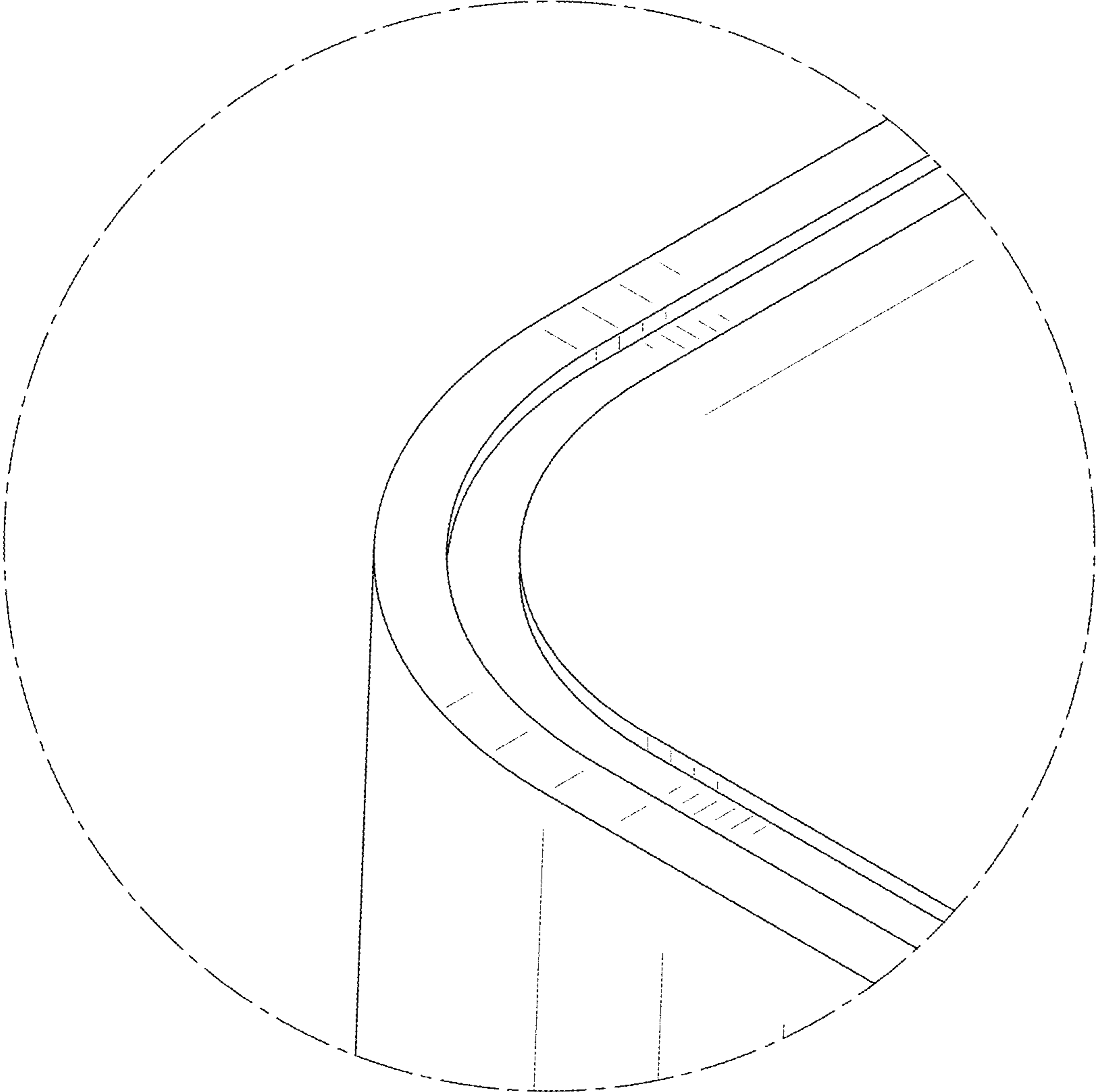


FIG. 9