



US00D984386S

(12) **United States Design Patent**
Gao et al.

(10) **Patent No.:** **US D984,386 S**
(45) **Date of Patent:** **** Apr. 25, 2023**

(54) **EQUIPMENT FOR CONTROL OF ELECTRIC POWER**

(71) Applicant: **EcoFlow Inc.**, Shenzhen (CN)

(72) Inventors: **Weibin Gao**, Shenzhen (CN); **Lei Wang**, Shenzhen (CN)

(73) Assignee: **ECOFLOW INC.**, Shenzhen (CN)

(**) Term: **15 Years**

(21) Appl. No.: **35/512,927**

(22) Filed: **Oct. 19, 2021**

(80) **Hague Agreement Data**

Int. Filing Date: **Oct. 19, 2021**

Int. Reg. No.: **DM/217109**

Int. Reg. Date: **Oct. 19, 2021**

Int. Reg. Pub. Date: **Nov. 12, 2021**

(51) **LOC (14) Cl.** **13-02**

(52) **U.S. Cl.**
USPC **D13/123**

(58) **Field of Classification Search**

USPC D13/102, 103, 110, 112, 122, 123, 152,
D13/158-160, 162, 162.1, 177, 178, 184,
D13/199; D14/240, 242
CPC . G06F 1/189; G06F 1/26; G06F 1/263; G06F
1/18; G06F 1/1632; H02J 2007/0062;
H02J 7/34; H01R 12/7076; H05B
33/0833; H05K 5/0013; H05K 7/20918;
H05K 7/1418; B60T 7/20; H02M 7/003;
G02B 6/3897; G02B 6/4453; H04N
5/268; H01H 33/66; H02K 11/046; H02K
19/365; H02K 5/225

See application file for complete search history.

(56) **References Cited**

U.S. PATENT DOCUMENTS

D314,759 S * 2/1991 Collins D13/184
D409,566 S * 5/1999 Roman D10/49

(Continued)

FOREIGN PATENT DOCUMENTS

CN 306118143 * 10/2020
CN 307150259 * 3/2022

(Continued)

OTHER PUBLICATIONS

Home Depot. Link: <https://www.homedepot.com/p/Connecticut-Electric-30-Amp-8-Space-10-Circuits-G2-Manual-Transfer-Switch-Kit-EGS107501G2KIT/100669964>. Visited Sep. 6, 2022. Connecticut Electric 30-Amp 8-Space 10-Circuits G2 Manual Transfer Switch Kit. (Year: 2022).*

(Continued)

Primary Examiner — Lauren D McVey

(74) *Attorney, Agent, or Firm* — Anova Law Group, PLLC

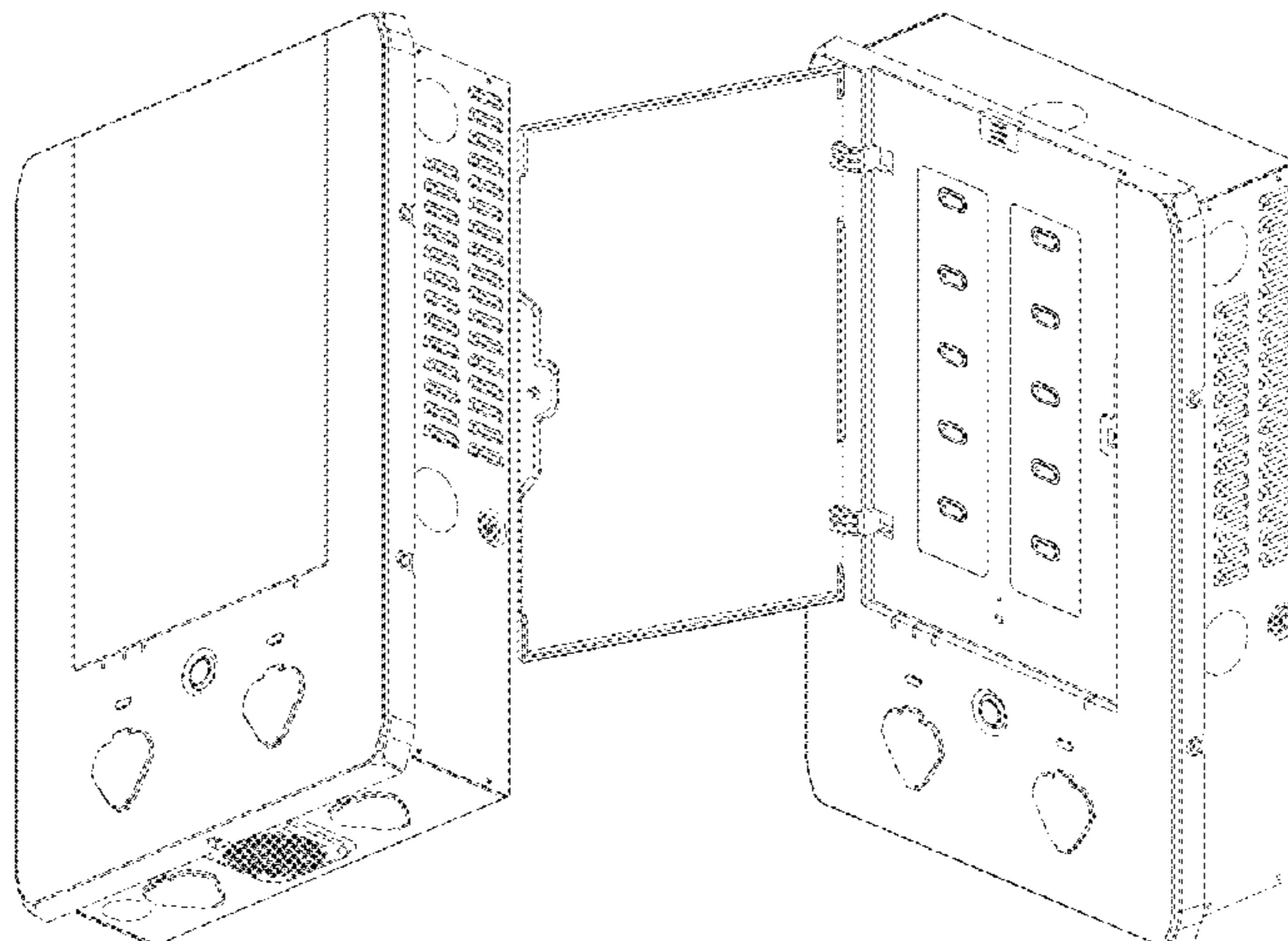
(57) **CLAIM**

The ornamental design for equipment for control of electric power, as shown and described.

DESCRIPTION

FIG. 1.1 is a front elevation view of an equipment for control of electric power;
FIG. 1.2 is a rear elevation view thereof;
FIG. 1.3 is a left-side elevation view thereof;
FIG. 1.4 is a right-side elevation view thereof;
FIG. 1.5 is a top plan view thereof;
FIG. 1.6 is a bottom plan view thereof;
FIG. 1.7 is a first perspective view thereof;
FIG. 1.8 is a second perspective view thereof;
FIG. 1.9 is a third perspective view thereof;
FIG. 1.10 is a fourth perspective view thereof;
FIG. 1.11 is a bottom front perspective view in a state of use;
FIG. 1.12 is a top front perspective view in a state of use;
FIG. 1.13 is a rear top perspective view in a state of use; and
FIG. 1.14 is a rear bottom perspective view in a state of use.

1 Claim, 14 Drawing Sheets



(56)

References Cited

U.S. PATENT DOCUMENTS

D533,793 S * 12/2006 Moore D10/49
D567,187 S * 4/2008 Oba D13/162
D590,348 S * 4/2009 Drago D13/152
D660,261 S * 5/2012 Huang D13/184
D660,799 S * 5/2012 Grunwald D13/123
D777,104 S * 1/2017 Liu D13/119
D885,341 S * 5/2020 Xu D13/110
D923,568 S * 6/2021 Lee D13/110
D937,966 S * 12/2021 Rastelli D23/200
D968,971 S * 11/2022 Foster D10/49
2009/0286144 A1 * 11/2009 Wu H01M 10/488
429/100

FOREIGN PATENT DOCUMENTS

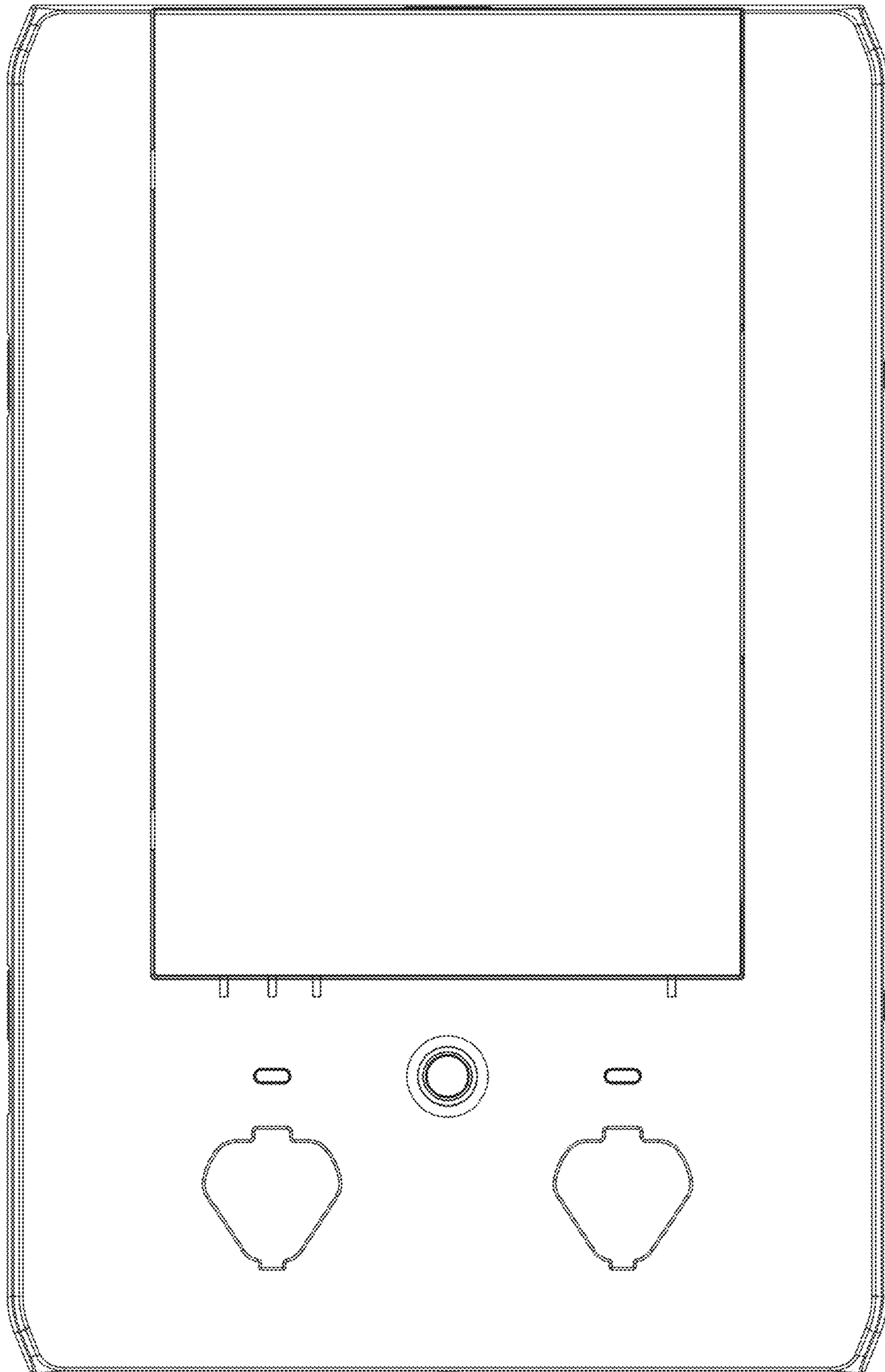
CN 307470188 * 7/2022
CN 307481038 * 8/2022
PT 11181 T * 5/2015 G02B 6/44

OTHER PUBLICATIONS

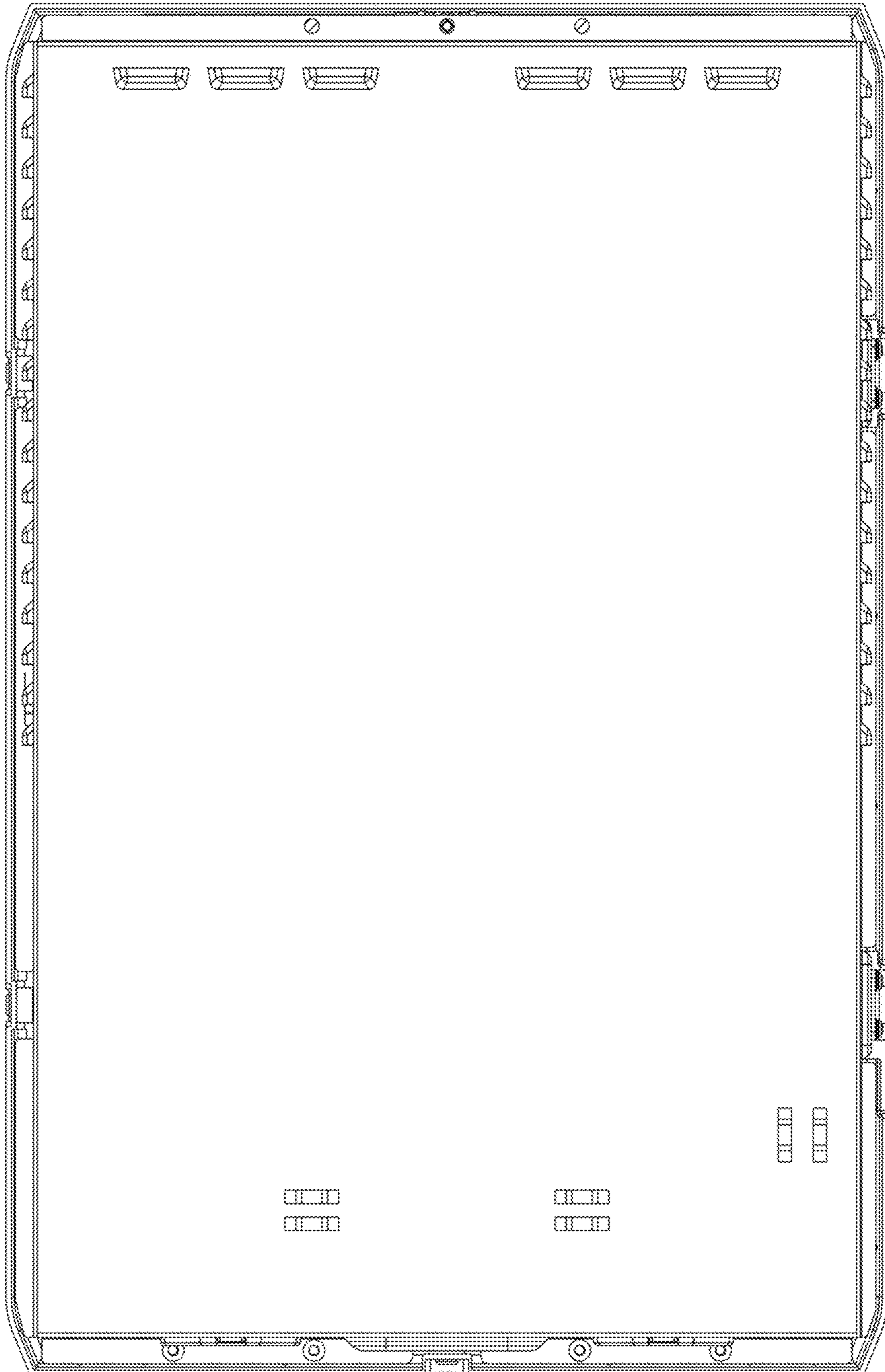
Western Shelter. Link: https://static1.squarespace.com/static/573b7c7c4d088ed0d9bd6a19/t/6192ddcc5007b9013aa9226c/1637014989784/EL-+EDP+Power+Distribution+Panels_10.21.21.pdf. Visited Sep. 2, 2022. Western Shelter EDP100. (Year: 2022).*

* cited by examiner

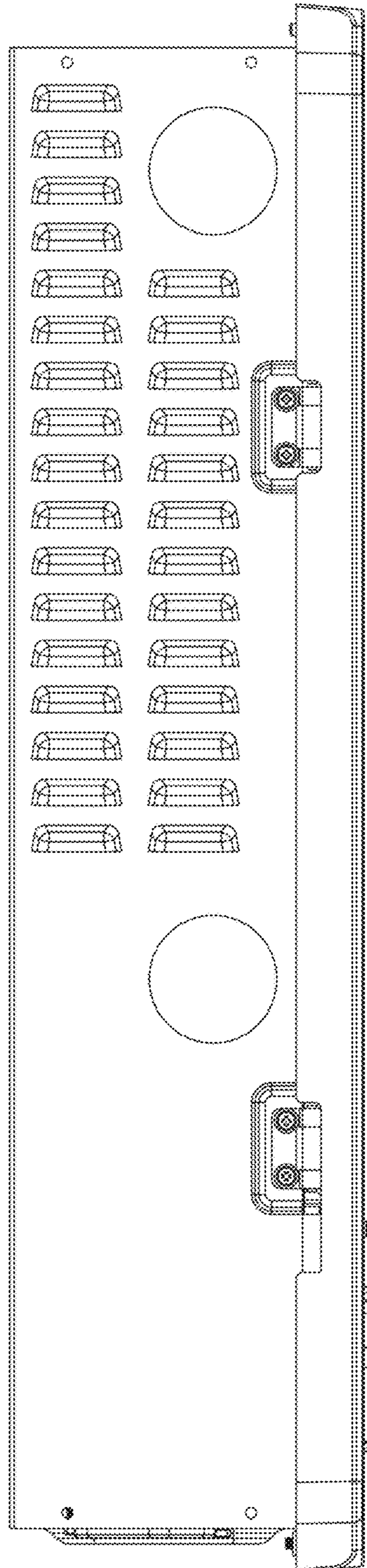
1.1



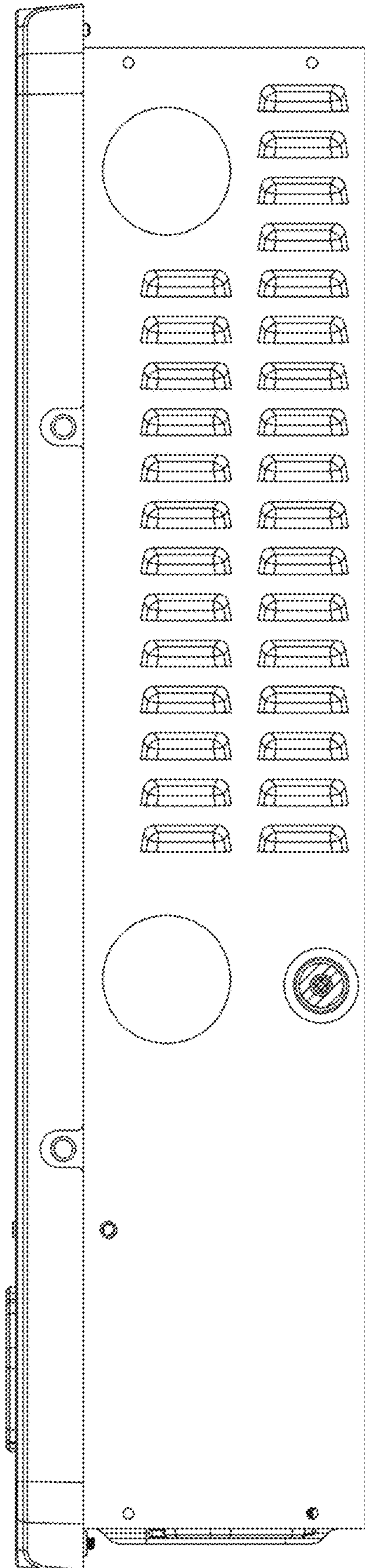
1.2

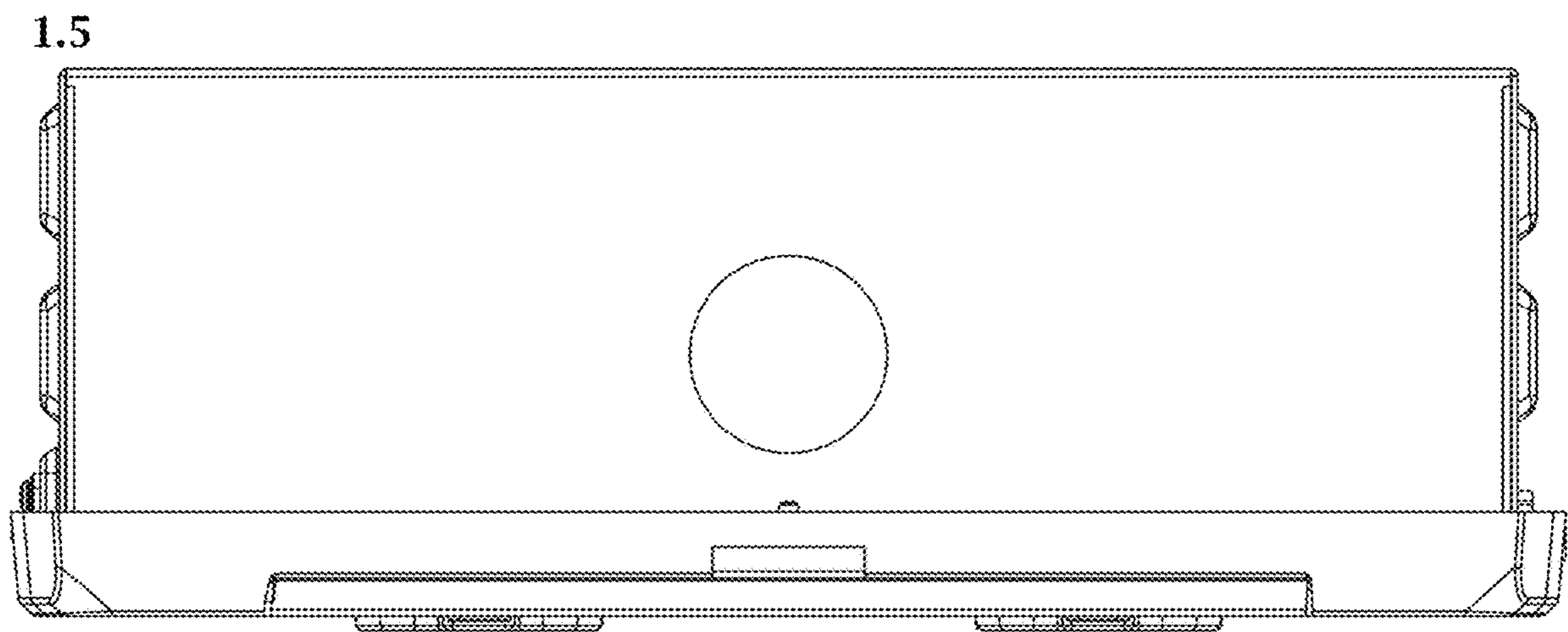


1.3

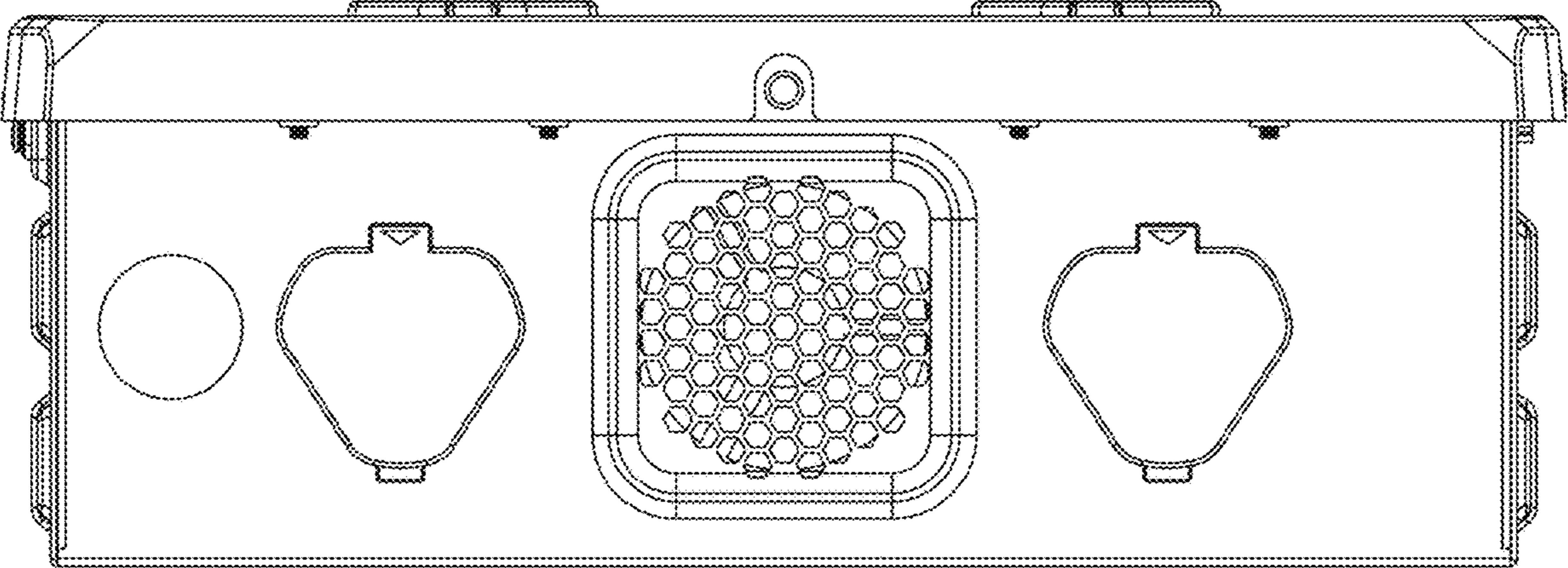


1.4

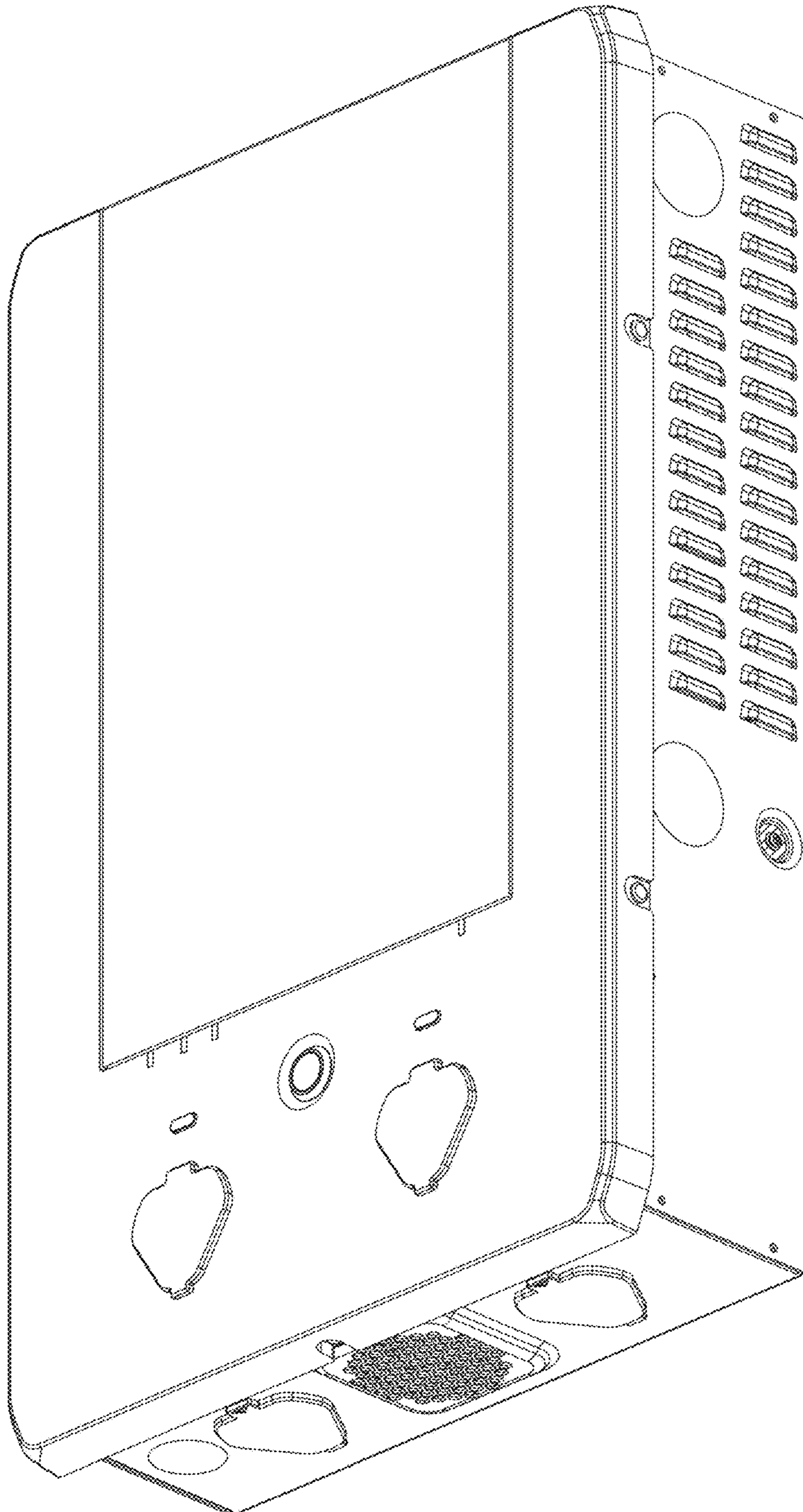




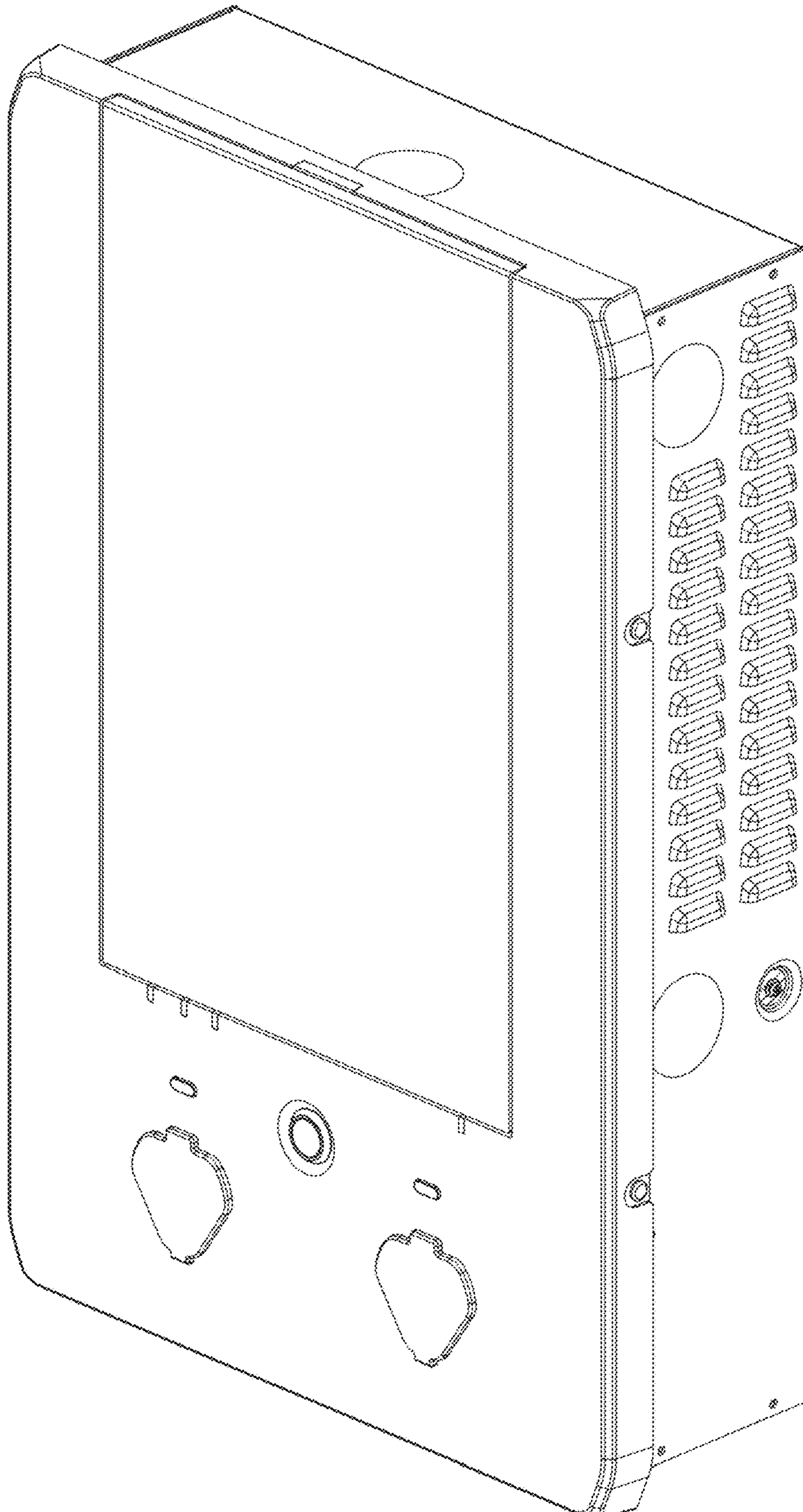
1.6



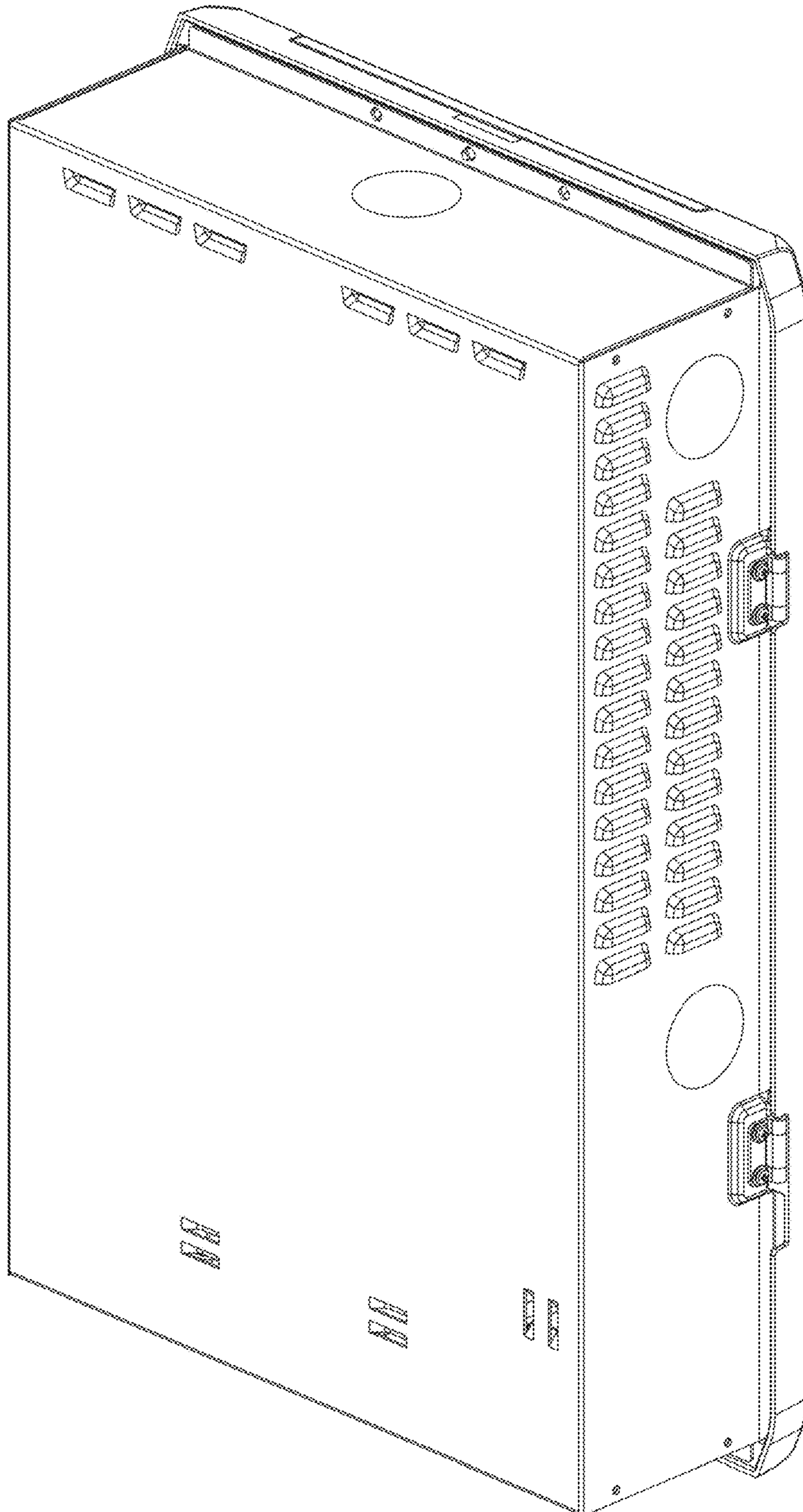
1.7



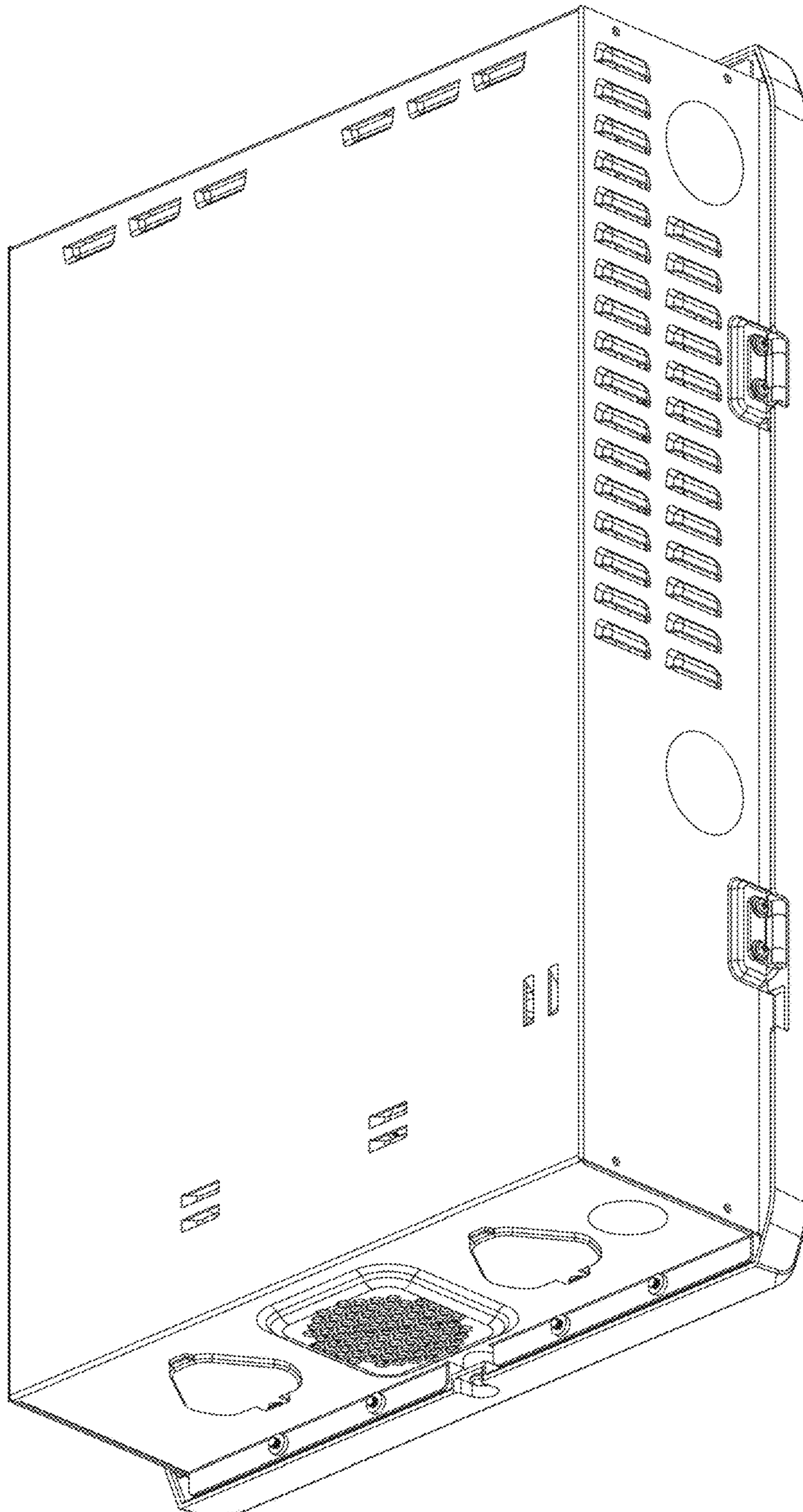
1.8



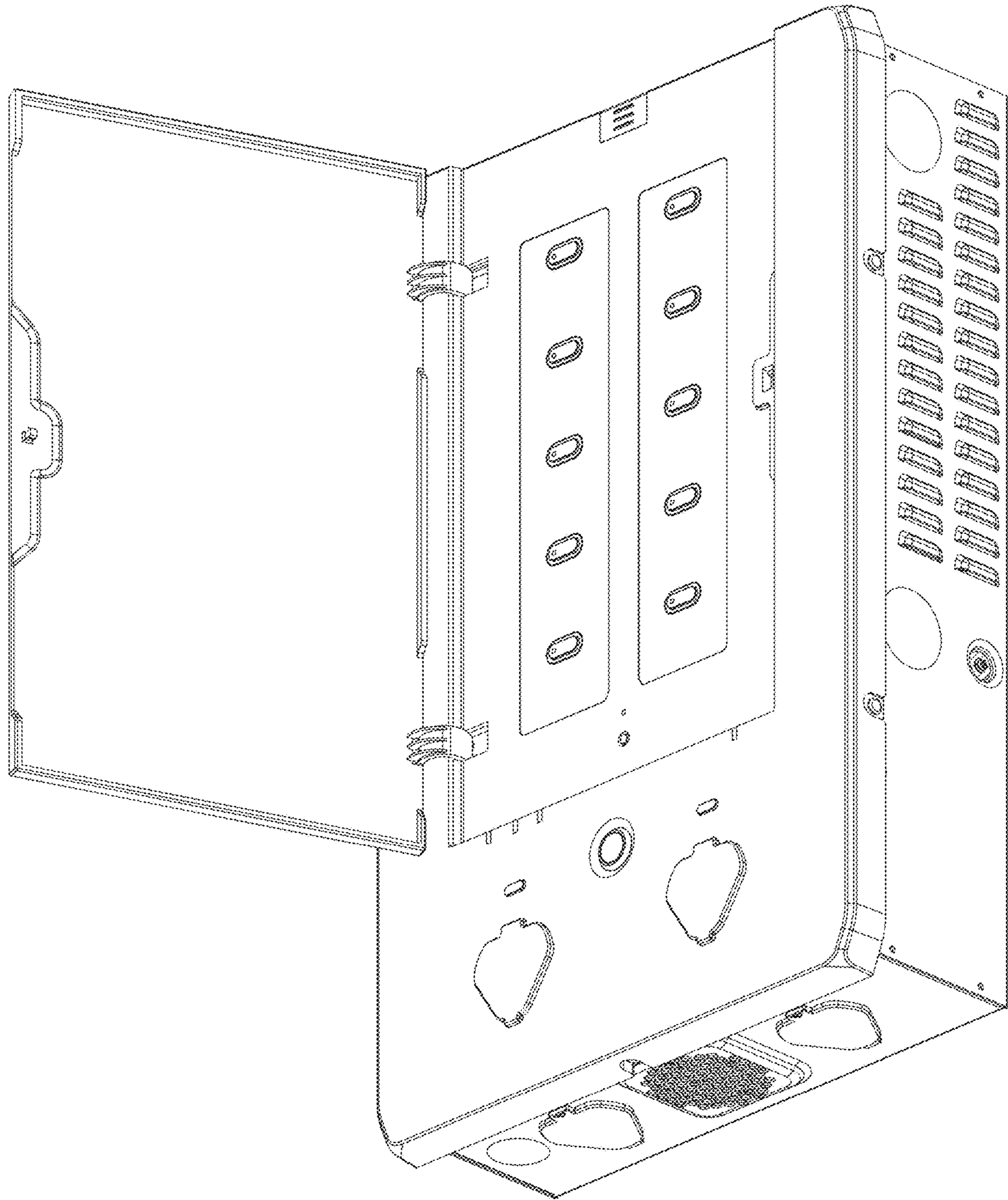
1.9



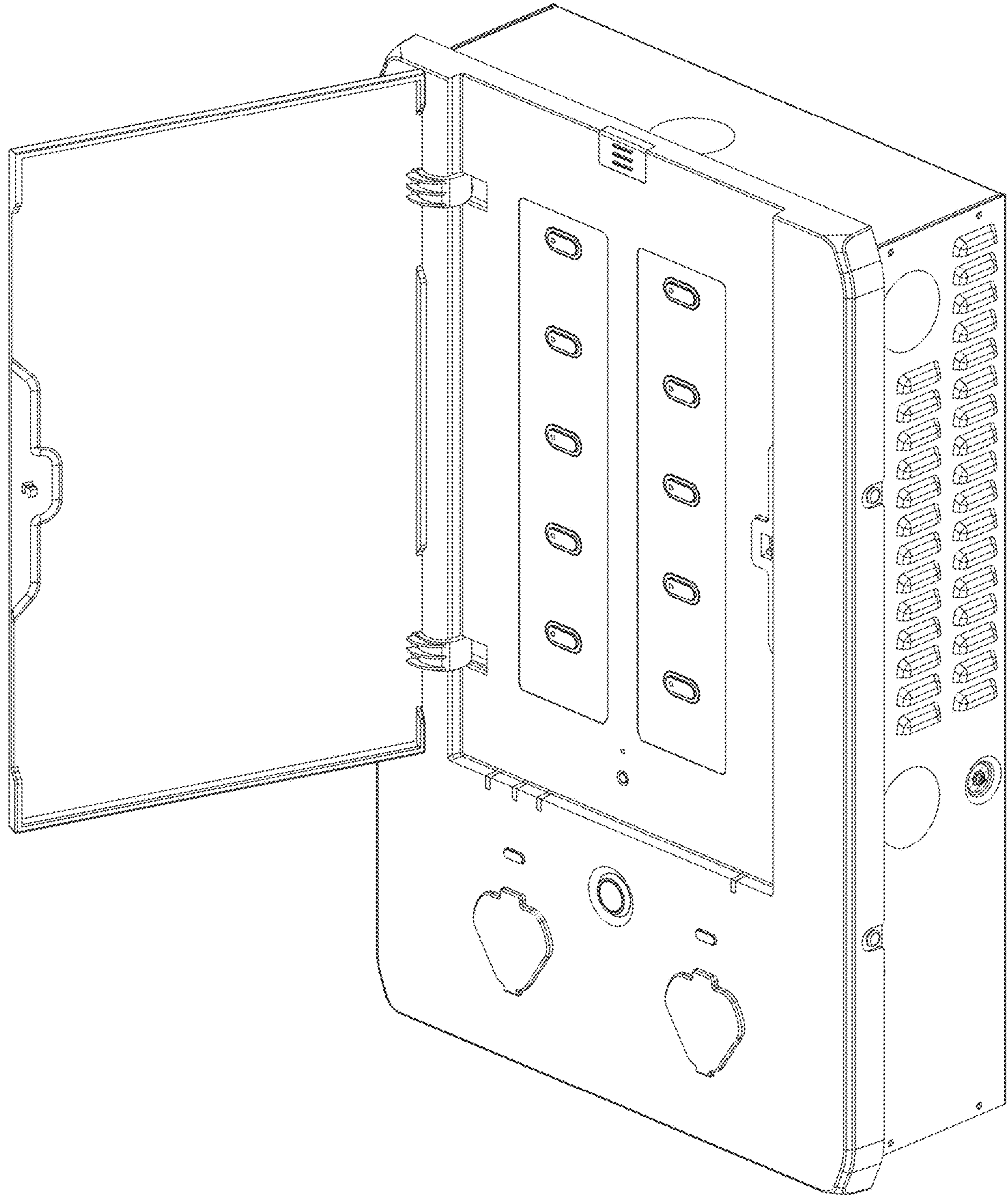
1.10



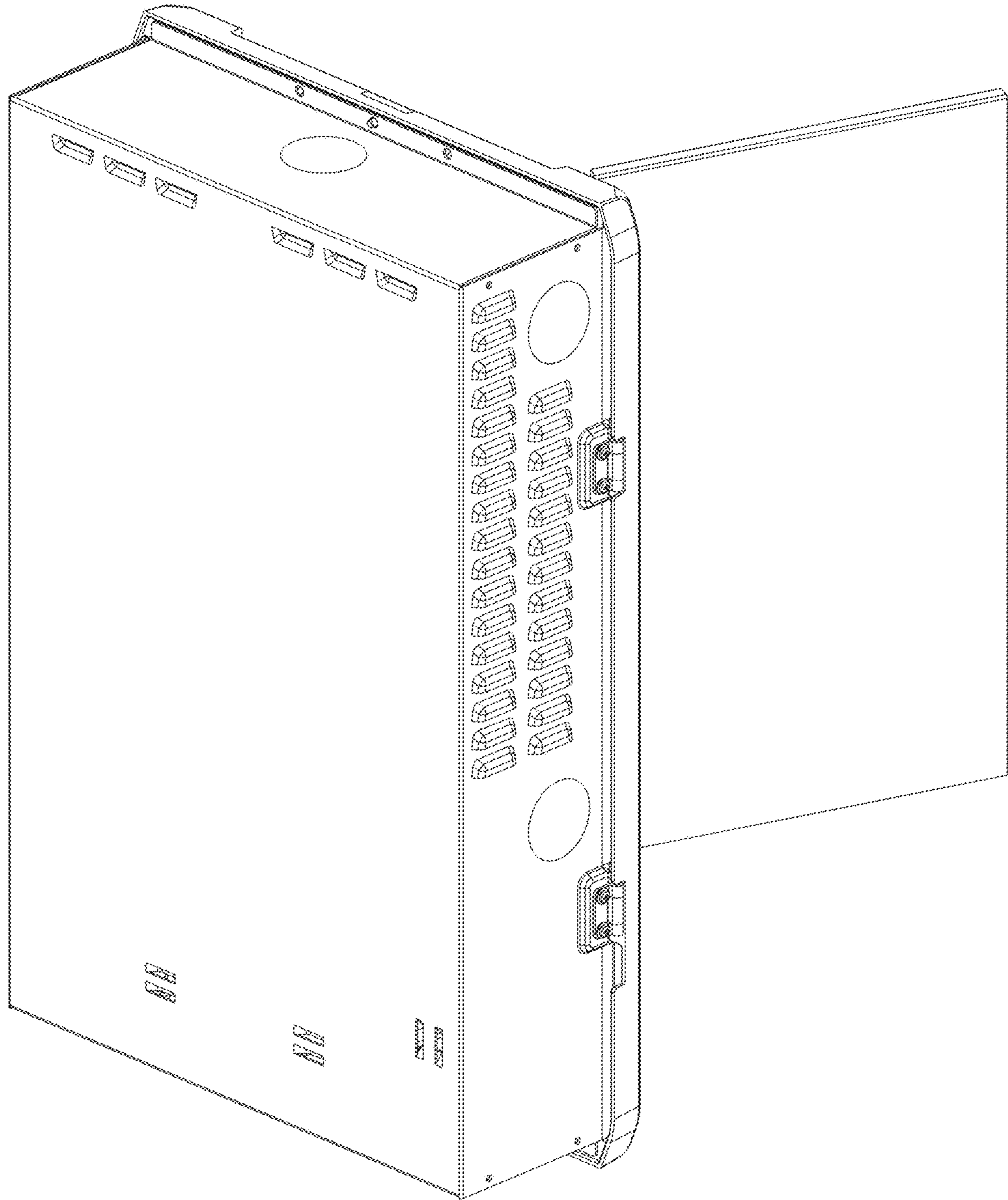
1.11



1.12



1.13



1.14

