



US00D984385S

(12) **United States Design Patent** (10) **Patent No.:** **US D984,385 S**
Kihl et al. (45) **Date of Patent:** **** Apr. 25, 2023**

(54) **EQUIPMENT FOR DISTRIBUTION OF ELECTRIC POWER**

(71) Applicant: **LG ELECTRONICS INC.**, Seoul (KR)

(72) Inventors: **Hewon Kihl**, Seoul (KR); **Yongho Lee**, Seoul (KR); **Hyunhee You**, Seoul (KR)

(73) Assignee: **LG ELECTRONICS INC.**, Seoul (KR)

(**) Term: **15 Years**

(21) Appl. No.: **35/512,850**

(22) Filed: **May 3, 2021**

(80) **Hague Agreement Data**

Int. Filing Date: **May 3, 2021**
Int. Reg. No.: **DM/215009**
Int. Reg. Date: **May 3, 2021**
Int. Reg. Pub. Date: **Nov. 5, 2021**

(30) **Foreign Application Priority Data**

Nov. 30, 2020 (KR) 30-2020-0058426

(51) **LOC (14) Cl.** **13-02**

(52) **U.S. Cl.**
USPC **D13/123**

(58) **Field of Classification Search**

USPC D13/102, 103, 110, 112, 122, 123, 152, D13/158-160, 162, 162.1, 177, 178, 184, D13/199; D14/240, 242
CPC . G06F 1/189; G06F 1/26; G06F 1/263; G06F 1/18; G06F 1/1632; H02J 2007/0062; H02J 7/34; H05B 33/0833; H05K 5/0013; H05K 7/20918; H05K 7/1418; B60T 7/20; H01R 12/7076; H02M 7/003; G02B 6/3897; G02B 6/4453; H04N 5/268; H01H 33/66; H02K 11/046; H02K 19/365; H02K 5/225

See application file for complete search history.

(56) **References Cited**

U.S. PATENT DOCUMENTS

D394,041 S * 5/1998 Spriester D13/123
D486,829 S * 2/2004 Wang D14/480.5

(Continued)

FOREIGN PATENT DOCUMENTS

CN 307179869 * 3/2022
EM 000723887-0001 * 6/2007

(Continued)

OTHER PUBLICATIONS

Eaton. Link: <https://www.eaton.com/us/en-us/catalog/emobility/power-distribution-unit.html>. Visited Sep. 2, 2022. High-voltage power distribution unit. (Year: 2022).*

(Continued)

Primary Examiner — Lauren D McVey

(74) *Attorney, Agent, or Firm* — Birch, Stewart, Kolasch & Birch, LLP

(57) **CLAIM**

The ornamental design for an equipment for distribution of electric power, as shown and described.

DESCRIPTION

1. Equipment for distribution of electric power

1.1 : Perspective

1.2 : Front

1.3 : Back

1.4 : Left

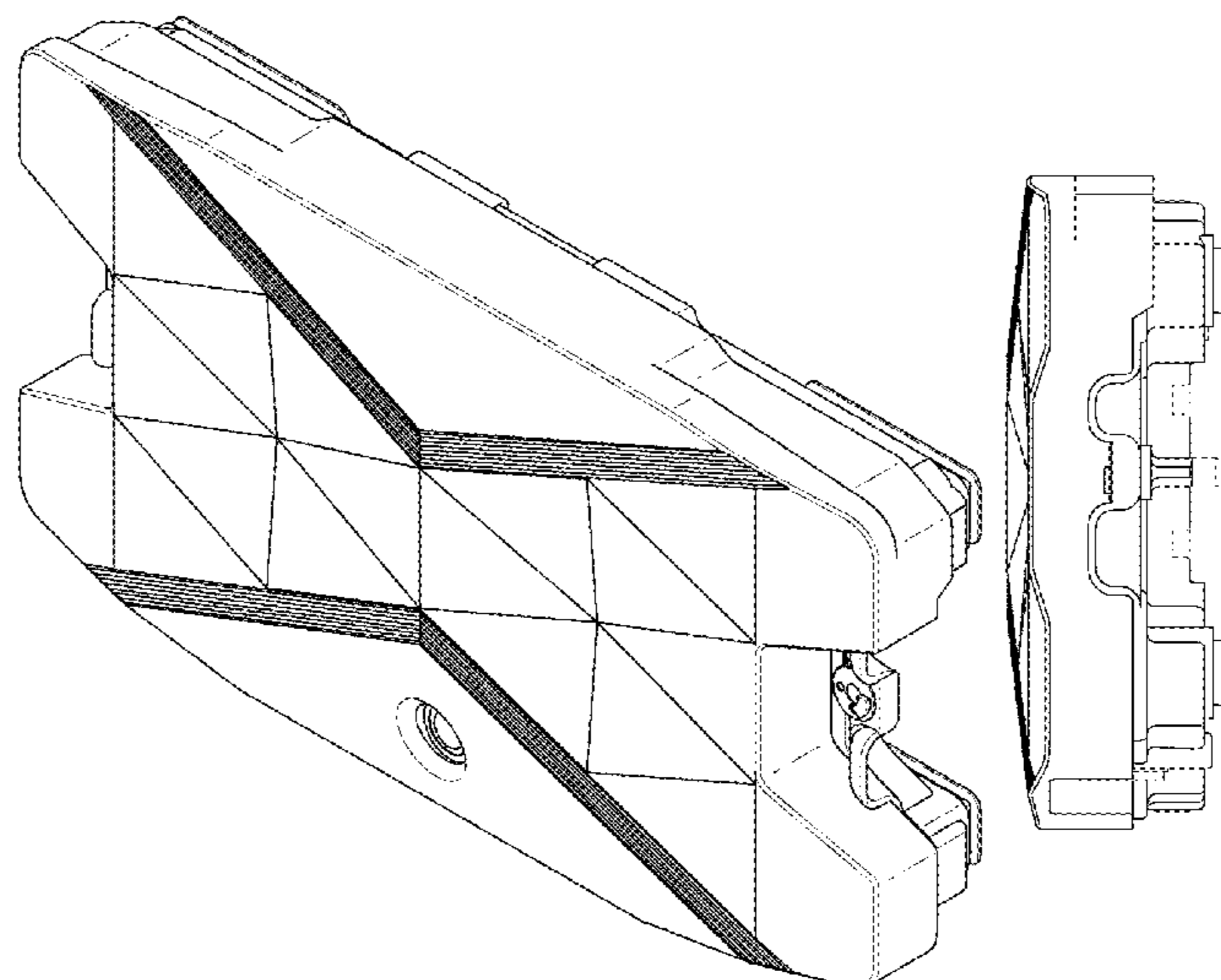
1.5 : Right

1.6 : Top

1.7 : Bottom

The broken lines indicate portions of the article that form no part of the claimed design.

1 Claim, 7 Drawing Sheets



(56)

References Cited

U.S. PATENT DOCUMENTS

D562,263	S	*	2/2008	Tsai	D13/162
D681,550	S	*	5/2013	Corbin	D13/103
D701,832	S	*	4/2014	Drew	D13/133
D753,059	S	*	4/2016	Krantz	D13/110
D766,826	S	*	9/2016	Xu	D13/110
D855,026	S	*	7/2019	Miller	D13/158
D860,827	S	*	9/2019	Kremer	D10/49
D883,242	S	*	5/2020	Wu	D14/125
D885,329	S	*	5/2020	Gan	D13/103
D930,578	S	*	9/2021	Zheng	D13/110
D958,069	S	*	7/2022	Tang	D13/103
D961,500	S	*	8/2022	Sun	D13/116

FOREIGN PATENT DOCUMENTS

JP	D1710566	*	3/2022
WO	D215009-001	*	11/2021

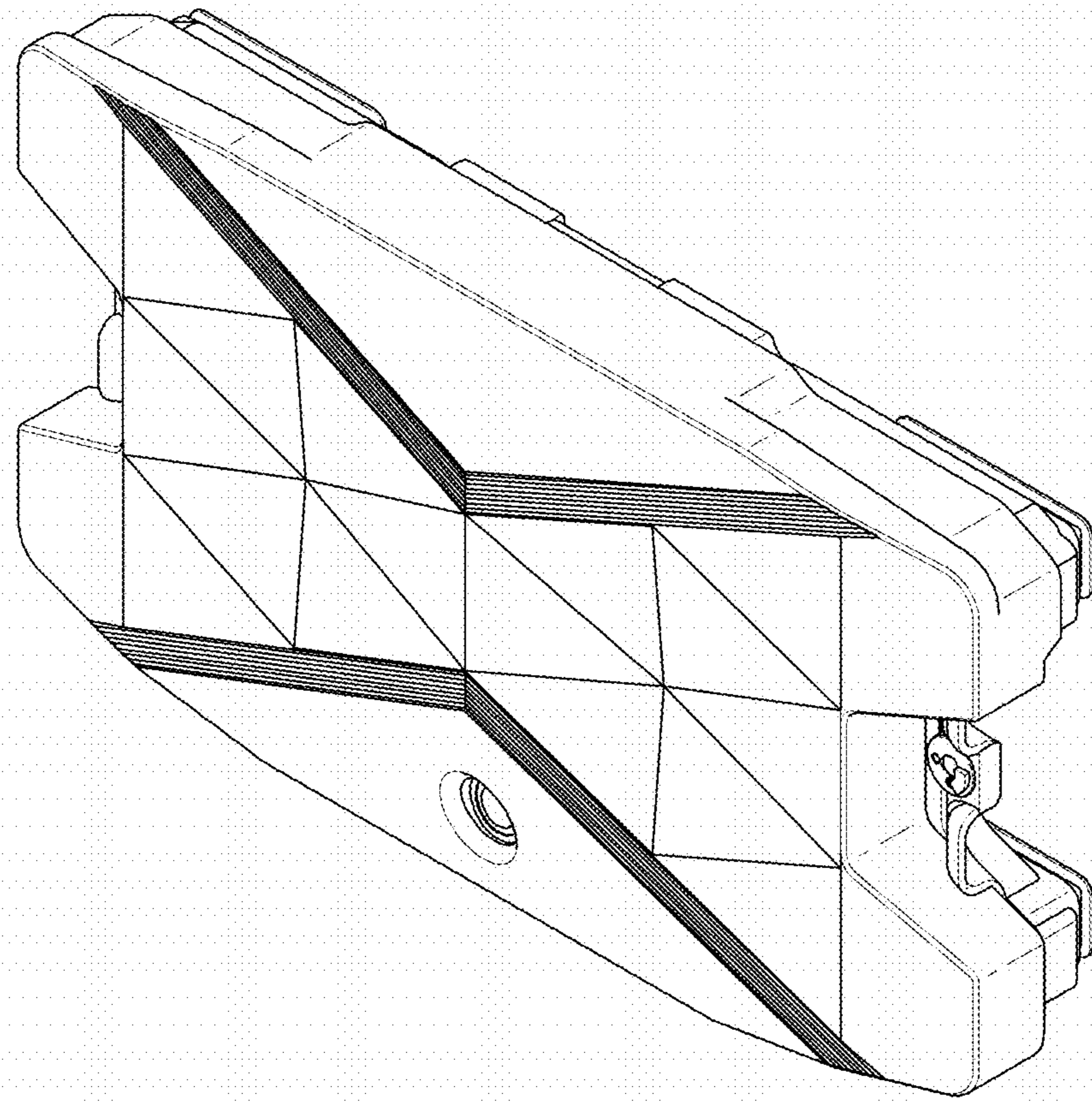
OTHER PUBLICATIONS

GEP Power Products. Link: <https://www.geppowerproducts.com/standard-products/power-distribution-fuse-relay-holders-fuse-blocks/power-distribution-modules/>. Visited Aug. 30, 2022. GEP Power Distribution Module. (Year: 2022).*

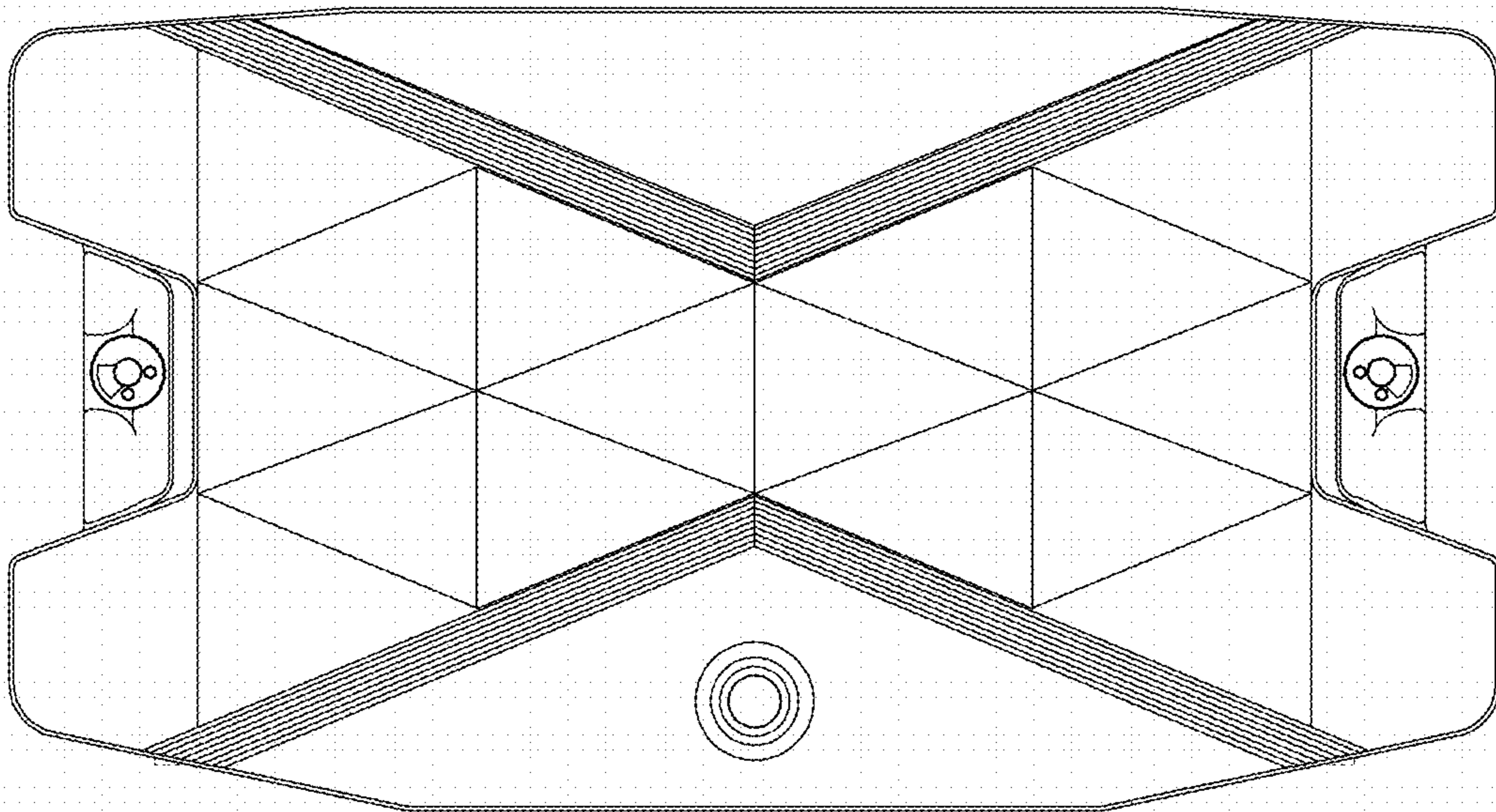
Hypermotive. Link: <https://www.hyper-motive.com/product/power-distribution-unit-pdu500-copy/>. Visited Sep. 2, 2022. Power Distribution Unit—PDU15. (Year: 2022).*

* cited by examiner

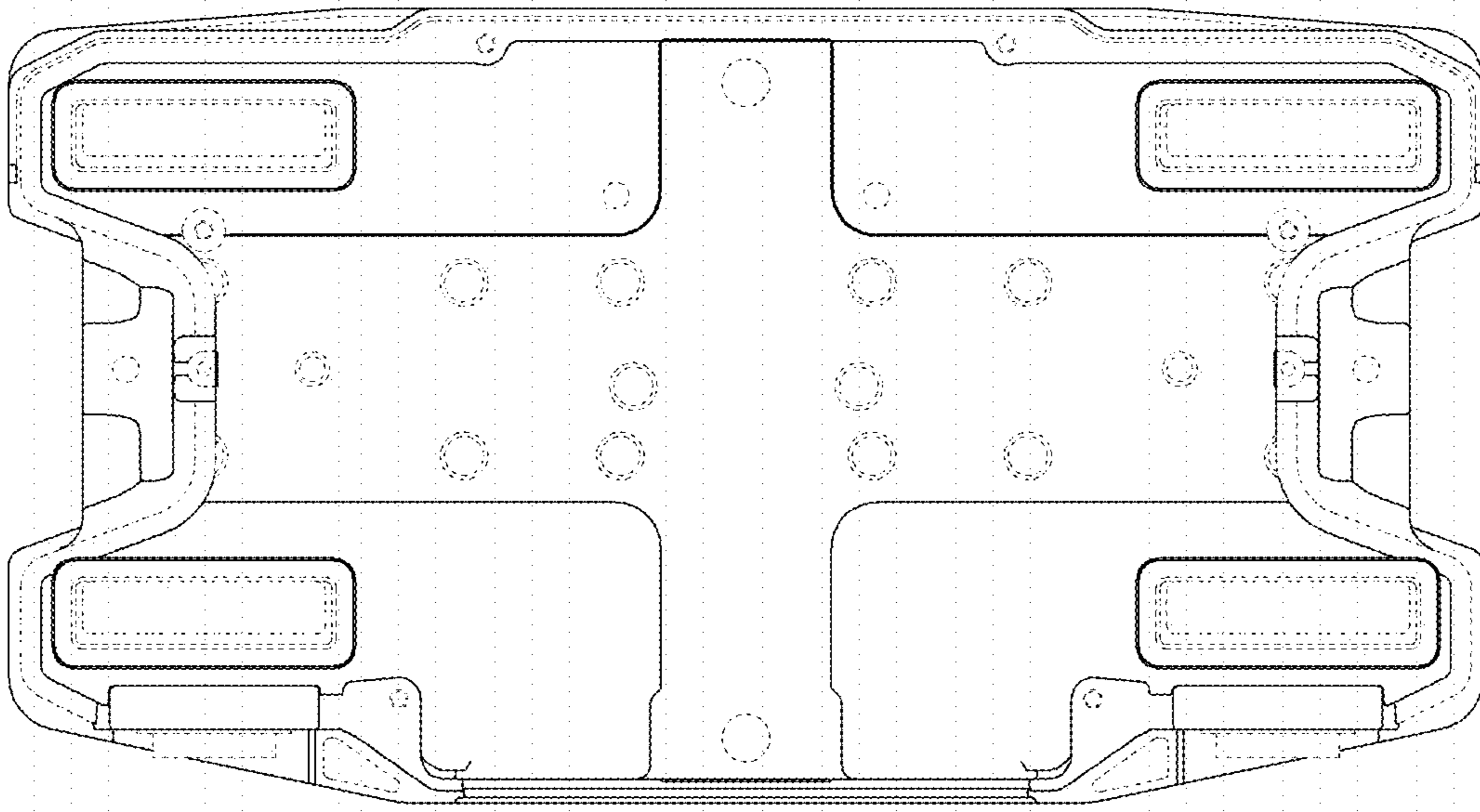
1.1



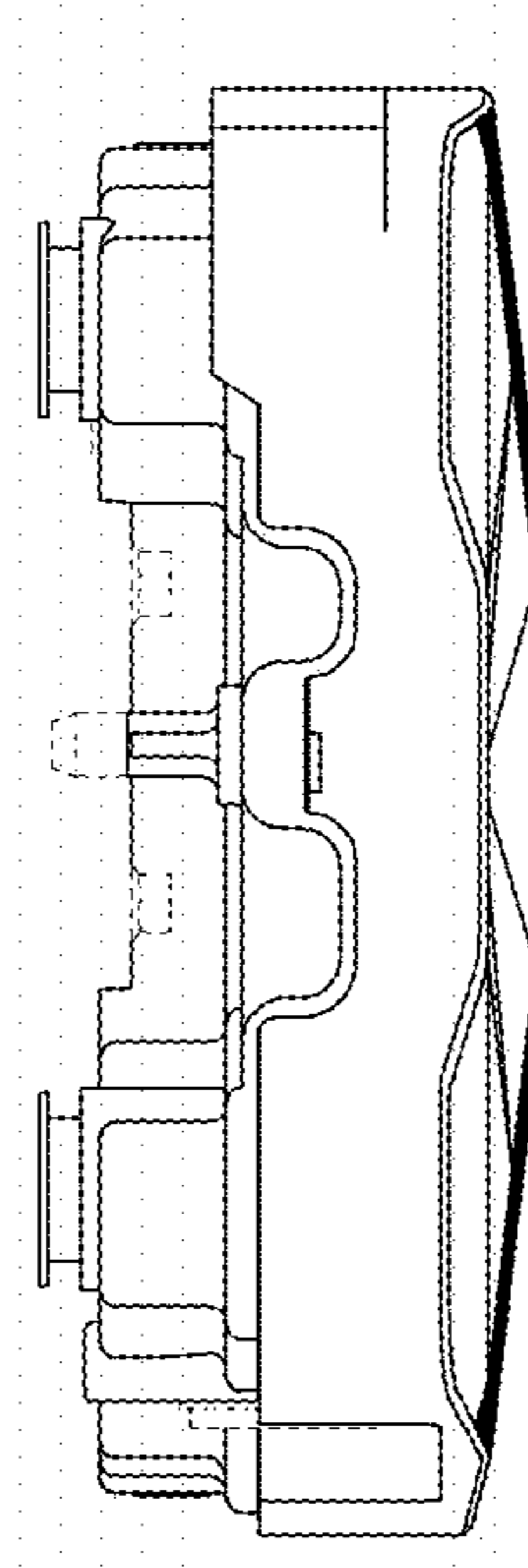
1.2



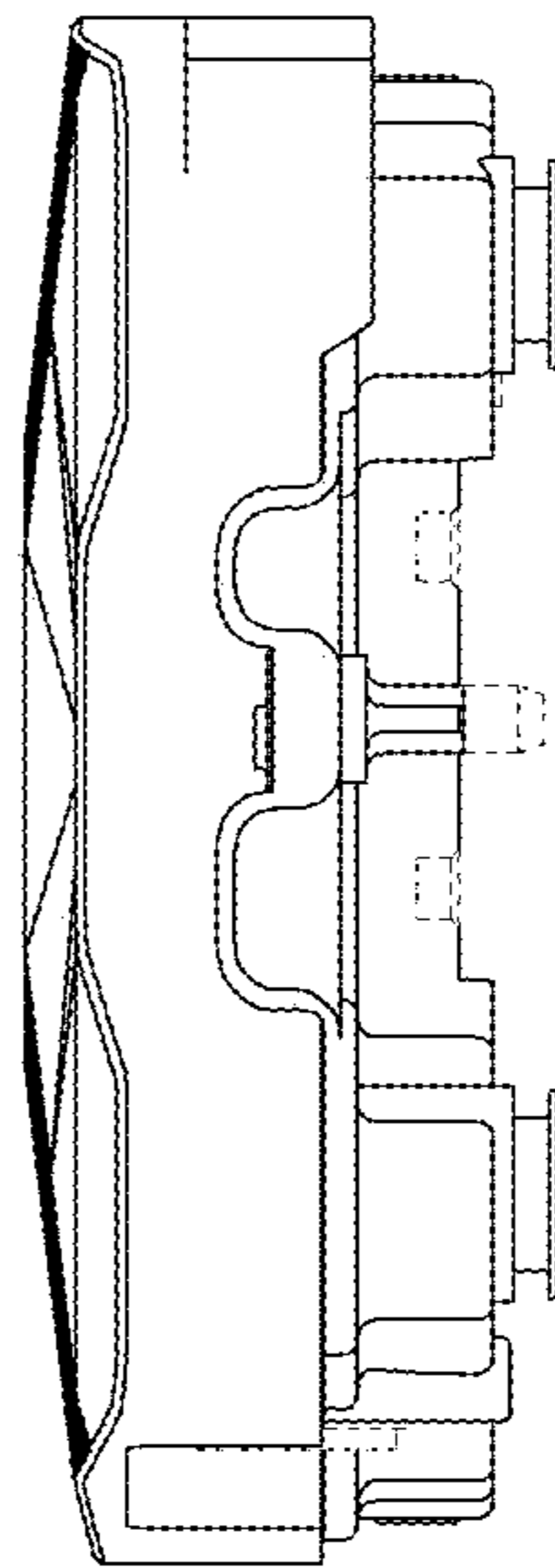
1.3



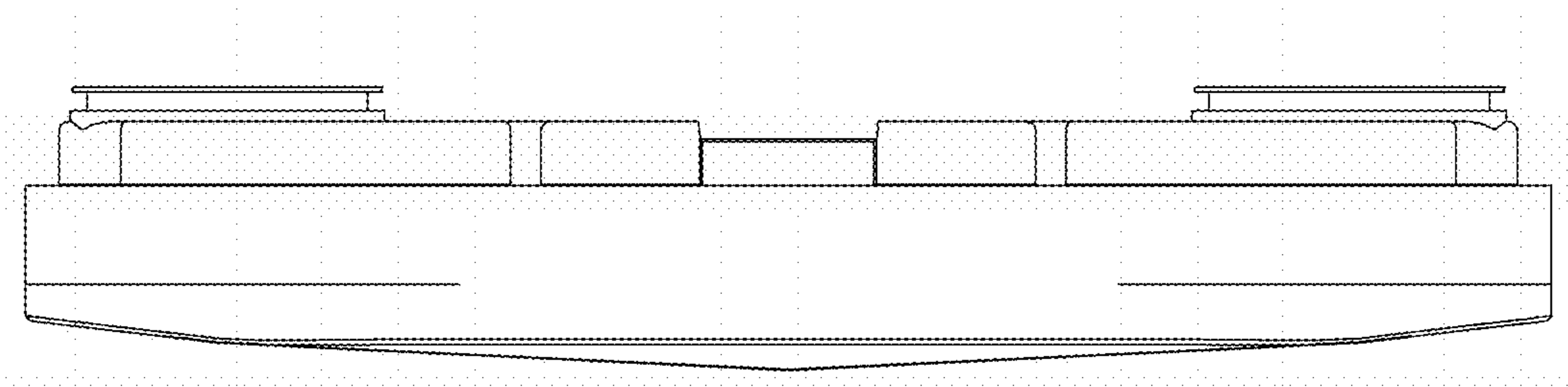
1.4



1.5



1.6



1.7

