



US00D984380S

(12) **United States Design Patent**
Mielonen et al.

(10) **Patent No.:** **US D984,380 S**
(45) **Date of Patent:** **** Apr. 25, 2023**

(54) **EQUIPMENT FOR DISTRIBUTION OR CONTROL OF ELECTRIC POWER**

(71) Applicant: **ABB Schweiz AG**, Baden (CH)

(72) Inventors: **Asko Mielonen**, Helsinki (FI); **Toni Nygren**, Helsinki (FI); **Markus Oinonen**, Helsinki (FI)

(73) Assignee: **ABB Schweiz AG**, Baden (CH)

(**) Term: **15 Years**

(21) Appl. No.: **29/728,234**

(22) Filed: **Mar. 17, 2020**

(30) **Foreign Application Priority Data**

Sep. 18, 2019 (EM) 006885745-0001

(51) **LOC (14) Cl.** **13-02**

(52) **U.S. Cl.**
USPC **D13/120; D13/147; D13/133**

(58) **Field of Classification Search**
USPC D10/106.6; D13/103, 112, 118–120, 123,
D13/133, 146–147, 149, 151, 154, 156,
D13/173, 179; D14/240, 358, 433;
D15/138

CPC H01R 9/16; H01R 12/721; H01R 12/727;
H01R 13/2428; H01R 13/2464

See application file for complete search history.

(56) **References Cited**

U.S. PATENT DOCUMENTS

- 3,348,191 A * 10/1967 Kinkaid H01R 12/721
439/741
- 3,585,574 A * 6/1971 Drapkin H01R 9/16
439/720
- D419,522 S * 1/2000 Kamagai D13/120
- D472,879 S * 4/2003 Ouchi D13/147
- D604,697 S * 11/2009 Sogo D13/133

- D613,688 S * 4/2010 Yang D13/120
- D613,689 S * 4/2010 Yang D13/120
- D614,569 S * 4/2010 Yang D13/120
- D617,733 S * 6/2010 Yang D13/120
- D617,734 S * 6/2010 Yang D13/120
- 8,657,635 B2 * 2/2014 Koyama H01R 13/2464
439/700
- 2012/0171905 A1 * 7/2012 Koyama H01R 13/2428
439/676
- 2014/0038469 A1 * 2/2014 Sakai H01R 12/727
439/733.1

* cited by examiner

Primary Examiner — Shawn T Gingrich

Assistant Examiner — Bryan N. Melvin

(74) *Attorney, Agent, or Firm* — Leydig, Voit & Mayer, Ltd.

(57) **CLAIM**

The ornamental design for equipment for distribution or control of electrical power, as shown and described.

DESCRIPTION

FIG. 1 illustrates a front side perspective view of equipment for distribution or control of electric power.

FIG. 2 illustrates a front side view of the equipment shown in FIG. 1.

FIG. 3 illustrates a left side view of the equipment shown in FIG. 1.

FIG. 4 illustrates a right side view of the equipment shown in FIG. 1.

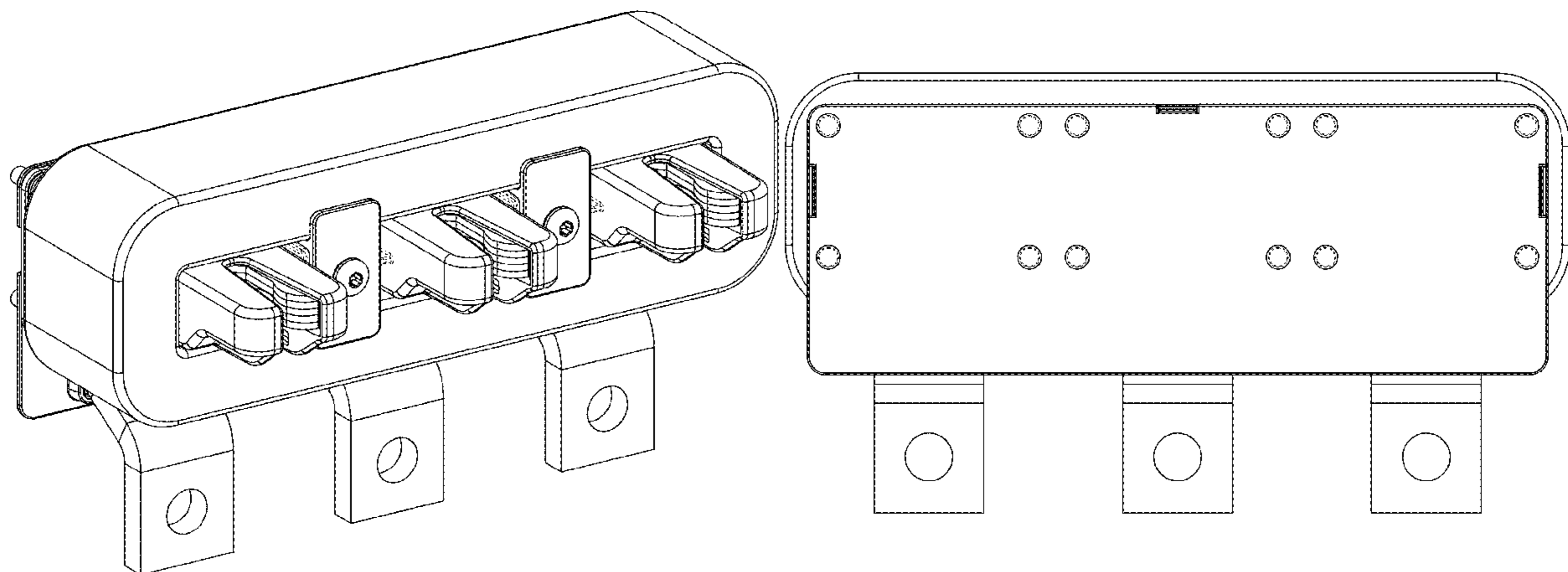
FIG. 5 illustrates a rear side view of the equipment shown in FIG. 1.

FIG. 6 illustrates a top side view of the equipment shown in FIG. 1; and,

FIG. 7 illustrates a bottom side view of the equipment shown in FIG. 1.

The broken lines in the drawings illustrate portions of the equipment for distribution or control of electric power that form no part of the claimed design.

1 Claim, 7 Drawing Sheets



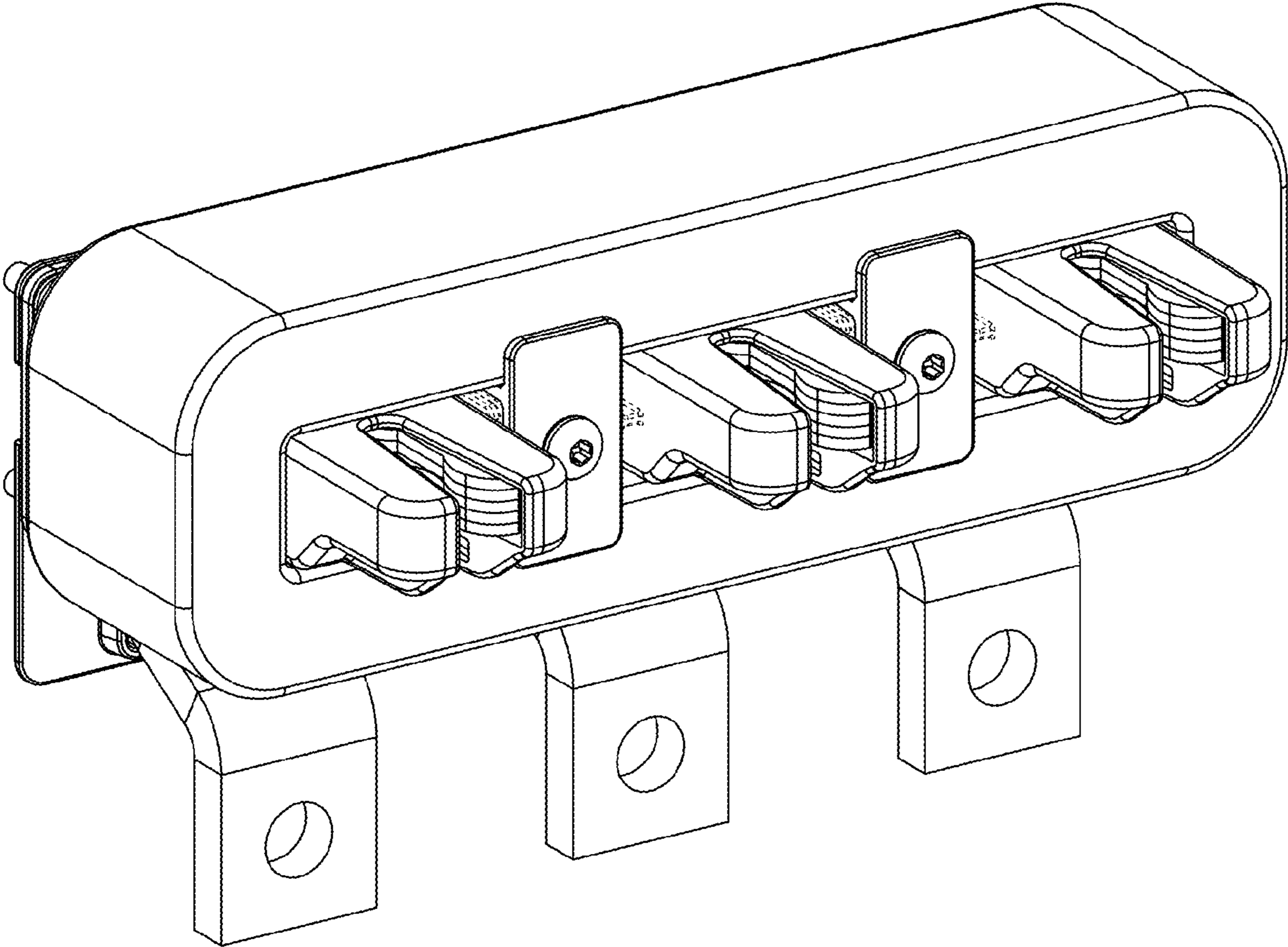


FIG. 1

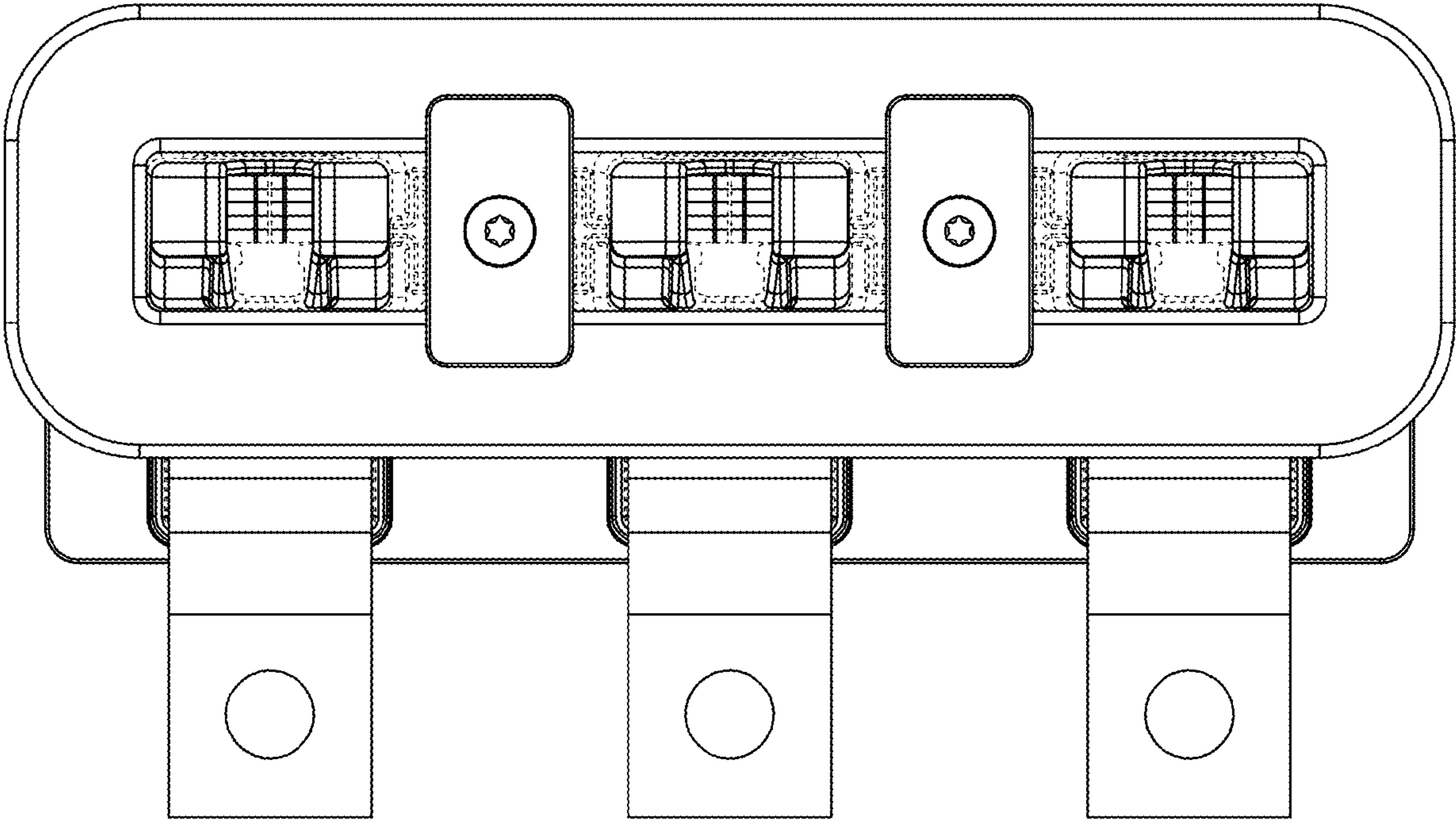


FIG. 2

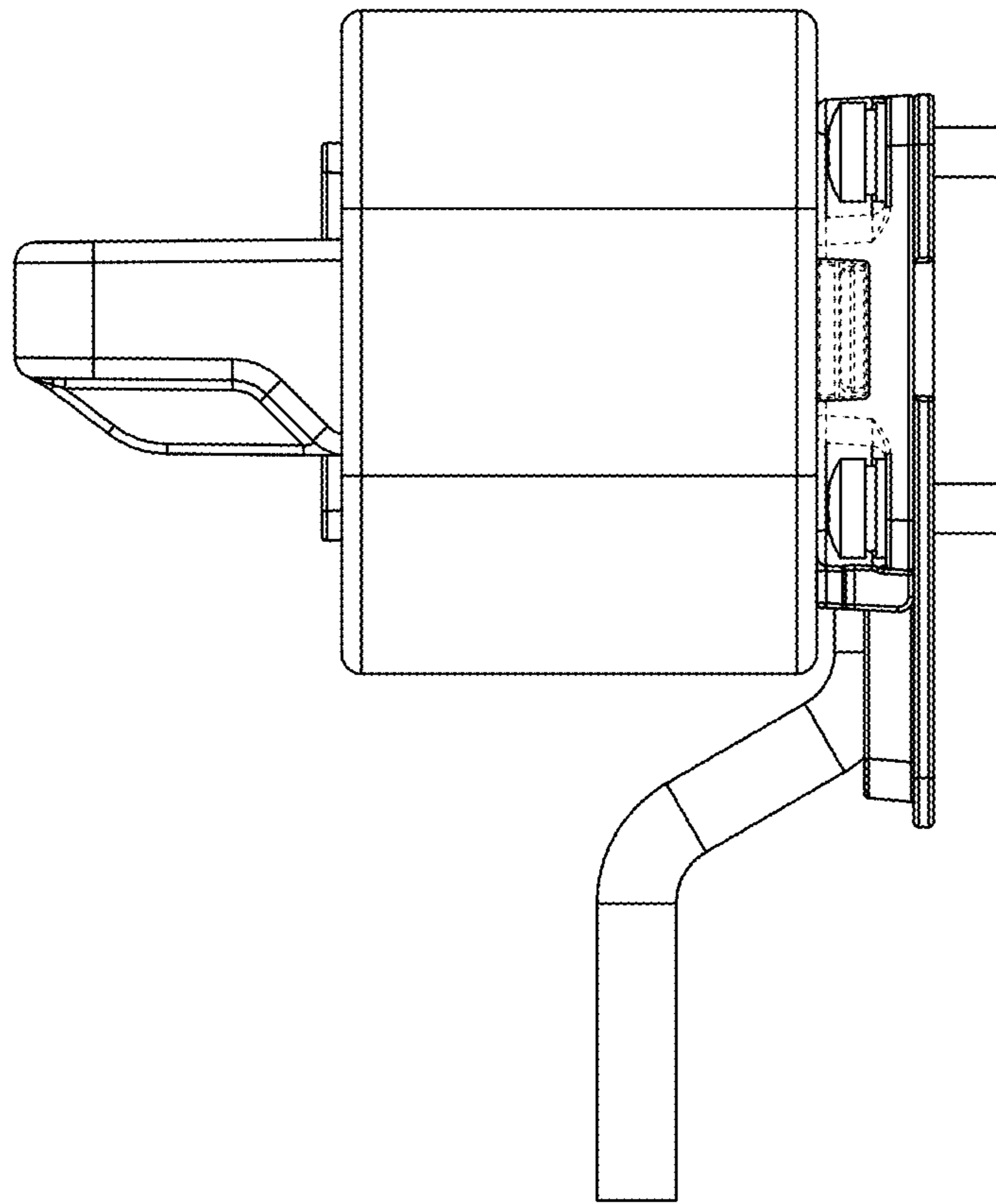


FIG. 3

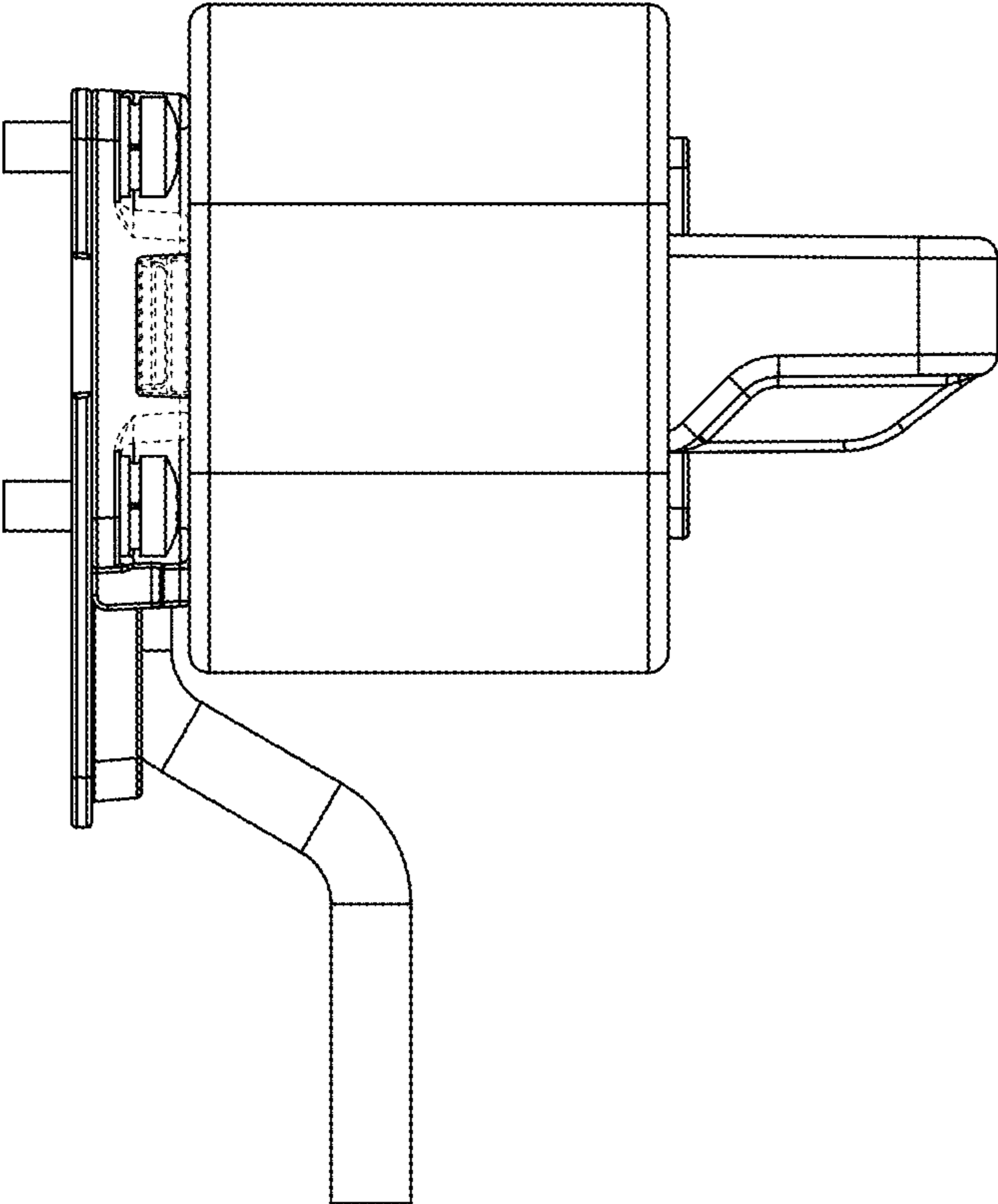


FIG. 4

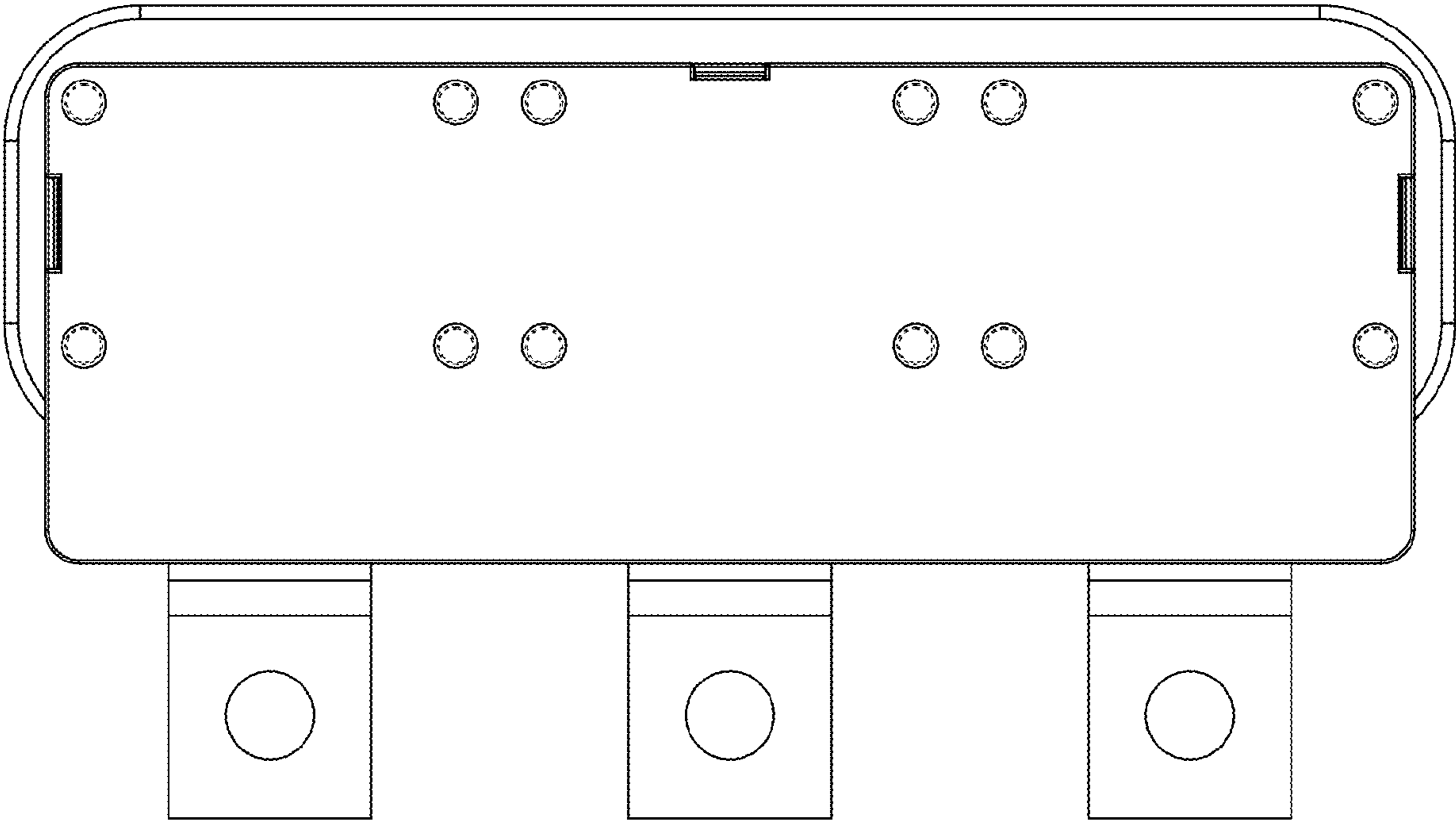


FIG. 5

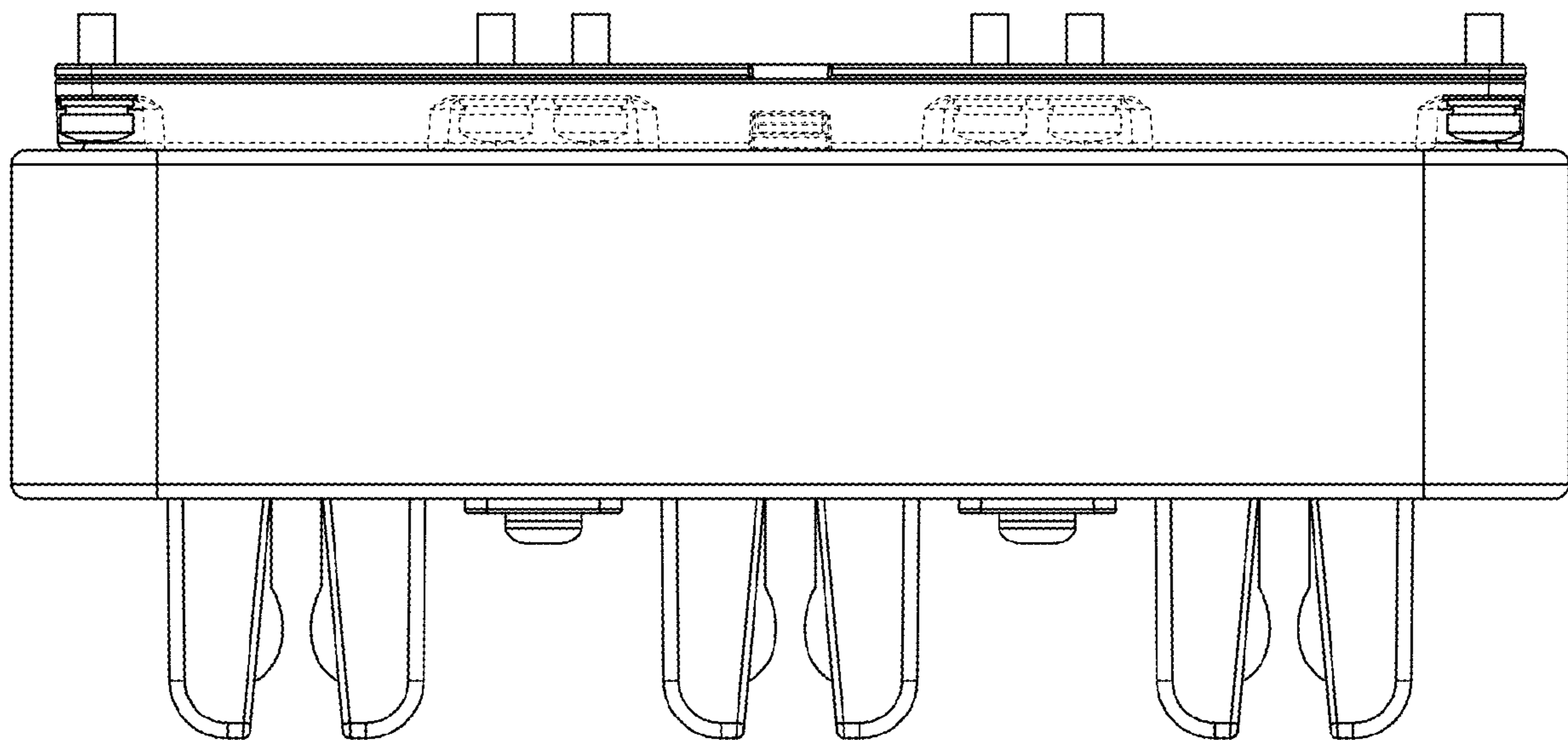


FIG. 6

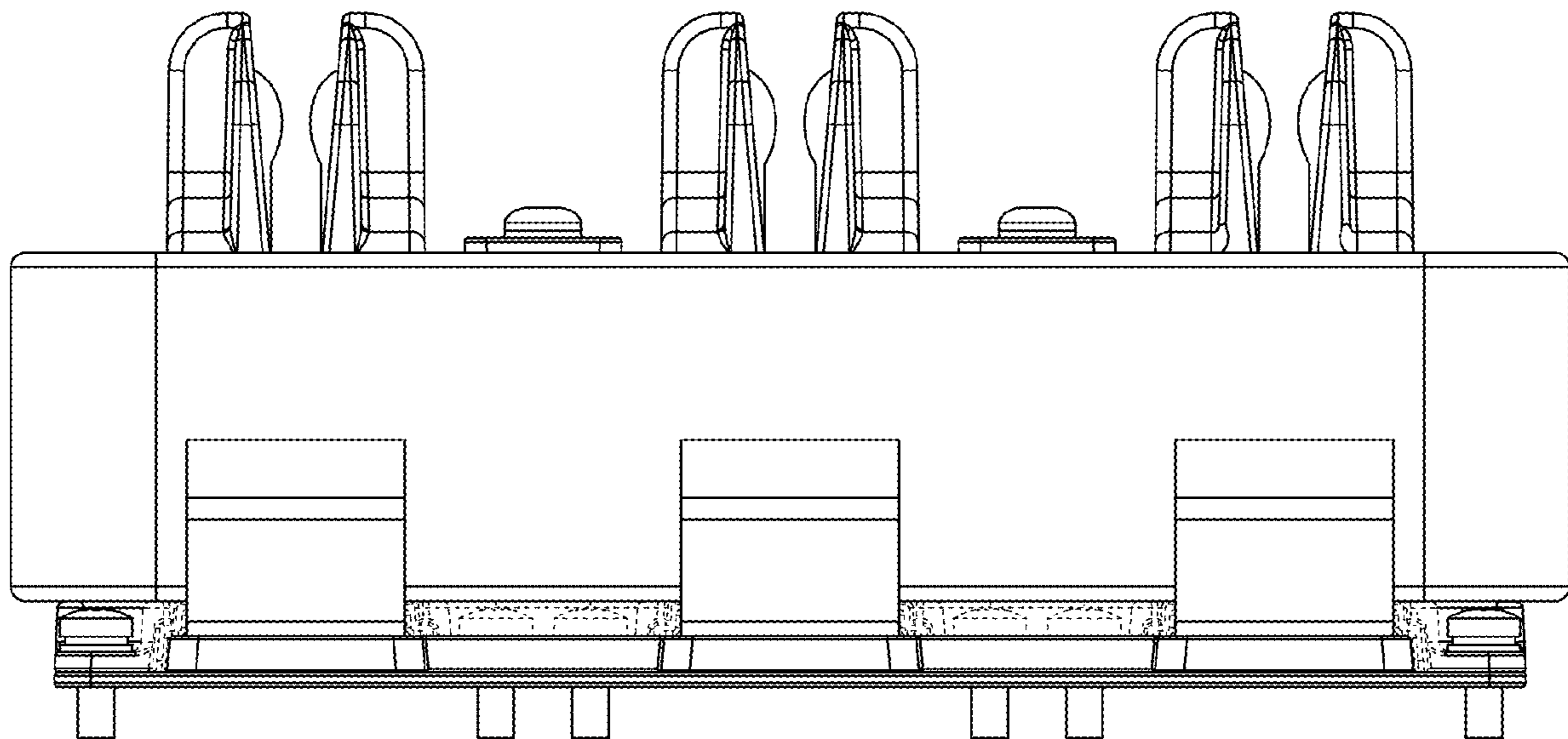


FIG. 7