



US00D984377S

(12) **United States Design Patent** (10) **Patent No.:** **US D984,377 S**
Liu (45) **Date of Patent:** **** Apr. 25, 2023**

(54) **WIRELESS CHARGER**

(71) Applicant: **Shenzhen Yifeng Intelligent Technology Co., Ltd., Shenzhen (CN)**

(72) Inventor: **Ning Liu, Shenzhen (CN)**

(**) Term: **15 Years**

(21) Appl. No.: **29/859,014**

(22) Filed: **Nov. 7, 2022**

(30) **Foreign Application Priority Data**

Jun. 17, 2022 (CN) 202230373439.4

(51) **LOC (14) Cl.** **13-02**

(52) **U.S. Cl.**
USPC **D13/108; D13/107**

(58) **Field of Classification Search**
USPC D3/247; D13/103, 107-108, 110, 118,
D13/183-184, 199; D14/251, 253, 432,
D14/434; D22/108

CPC ... A45F 5/00; H02J 50/005; H02J 7/02; H02J
7/0044; H02J 2310/22; H02J 50/10; H02J
50/402; H05K 1/181; Y02T 10/7072

See application file for complete search history.

(56) **References Cited**

U.S. PATENT DOCUMENTS

D611,407 S * 3/2010 Webb D13/108
D797,041 S * 9/2017 Meyerhoffer D13/107
10,117,505 B1 * 11/2018 Alvarez A45F 5/00
D884,625 S * 5/2020 Li D13/108
D885,334 S * 5/2020 Covington D13/108
D891,367 S * 7/2020 Covington D13/108
D908,621 S * 1/2021 Akana D13/108
D964,932 S * 9/2022 Huang D13/108
D969,738 S 11/2022 Liao
D971,835 S * 12/2022 Akana D13/108

D972,502 S * 12/2022 Akana D13/108
D975,013 S * 1/2023 Huang D13/108
D975,014 S * 1/2023 Chen D13/108
2022/0094202 A1 * 3/2022 Karanikos H02J 50/005

FOREIGN PATENT DOCUMENTS

CN 217115738 U * 8/2022

OTHER PUBLICATIONS

M16, Date Not Available, [online], [site visited Jan. 20, 2023]. Available from internet, URL: https://yifengintelligent.en.alibaba.com/product/1600656139066-919982500/For_Apple_Accessories_for_iWatch_Travel_Wireless_15w_Magnetic_Fast_Charging_Pad_3_in_1_Foldable_Charger.html (Year: 2023).*

* cited by examiner

Primary Examiner — Shawn T Gingrich

Assistant Examiner — Bryan N. Melvin

(57) **CLAIM**

The ornamental design for a wireless charger, as shown and described.

DESCRIPTION

FIG. 1 is a front perspective view of a wireless charger, showing my new design;

FIG. 2 is the use state view thereof;

FIG. 3 is the folded state view thereof;

FIG. 4 is a front view thereof;

FIG. 5 is a rear view thereof;

FIG. 6 is a left side view thereof;

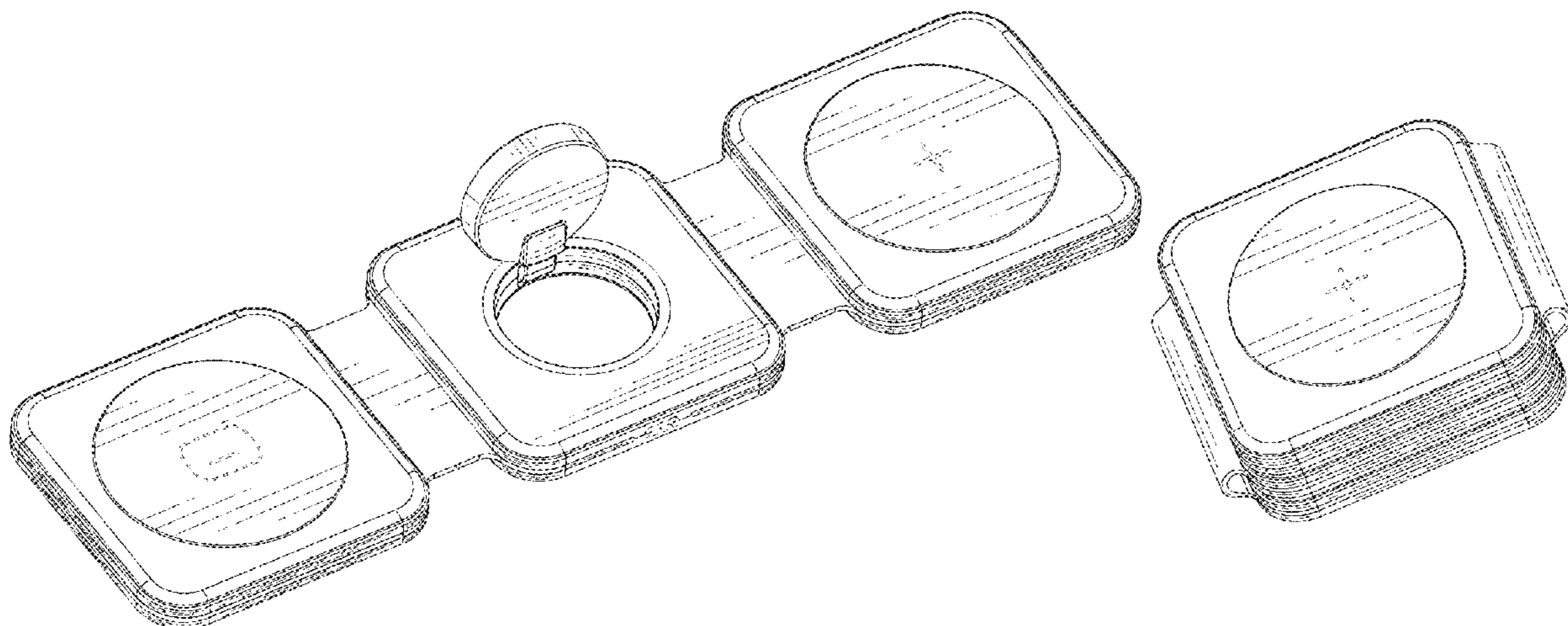
FIG. 7 is a right side view thereof;

FIG. 8 is a bottom view thereof; and,

FIG. 9 is a top view thereof.

The broken lines in the drawings illustrate the portions of the wireless charger, which form no part of the claimed design.

1 Claim, 9 Drawing Sheets



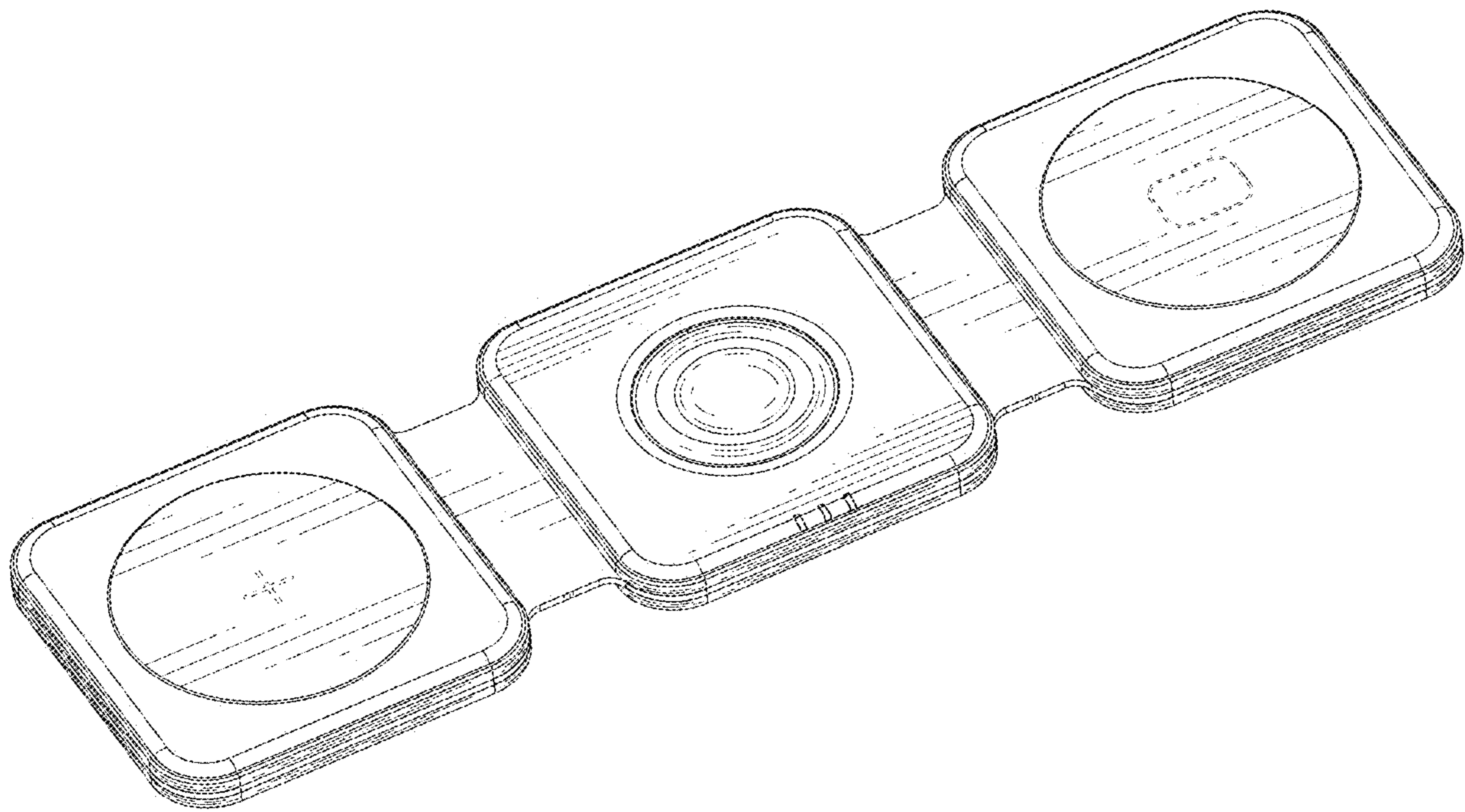


FIG. 1

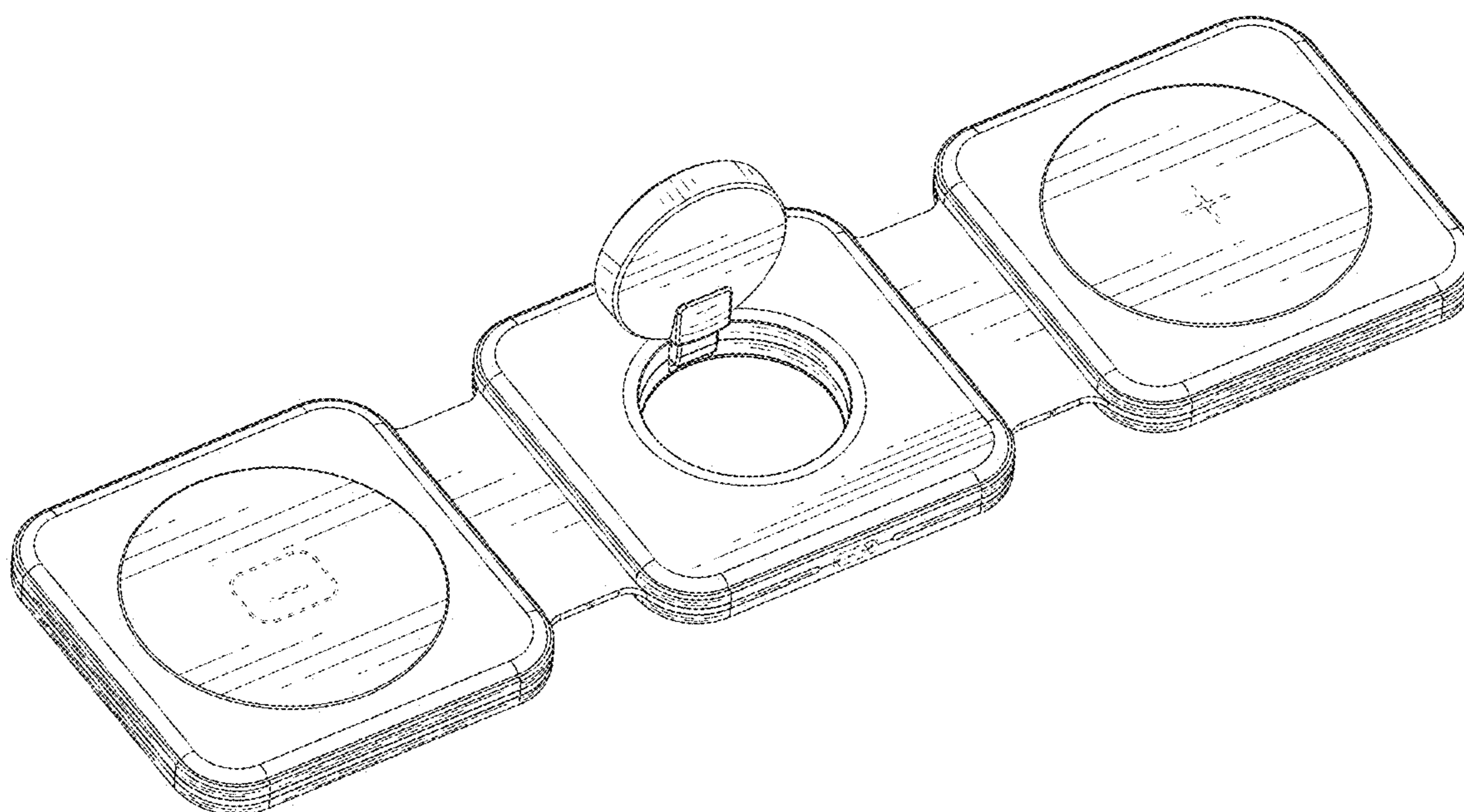


FIG. 2

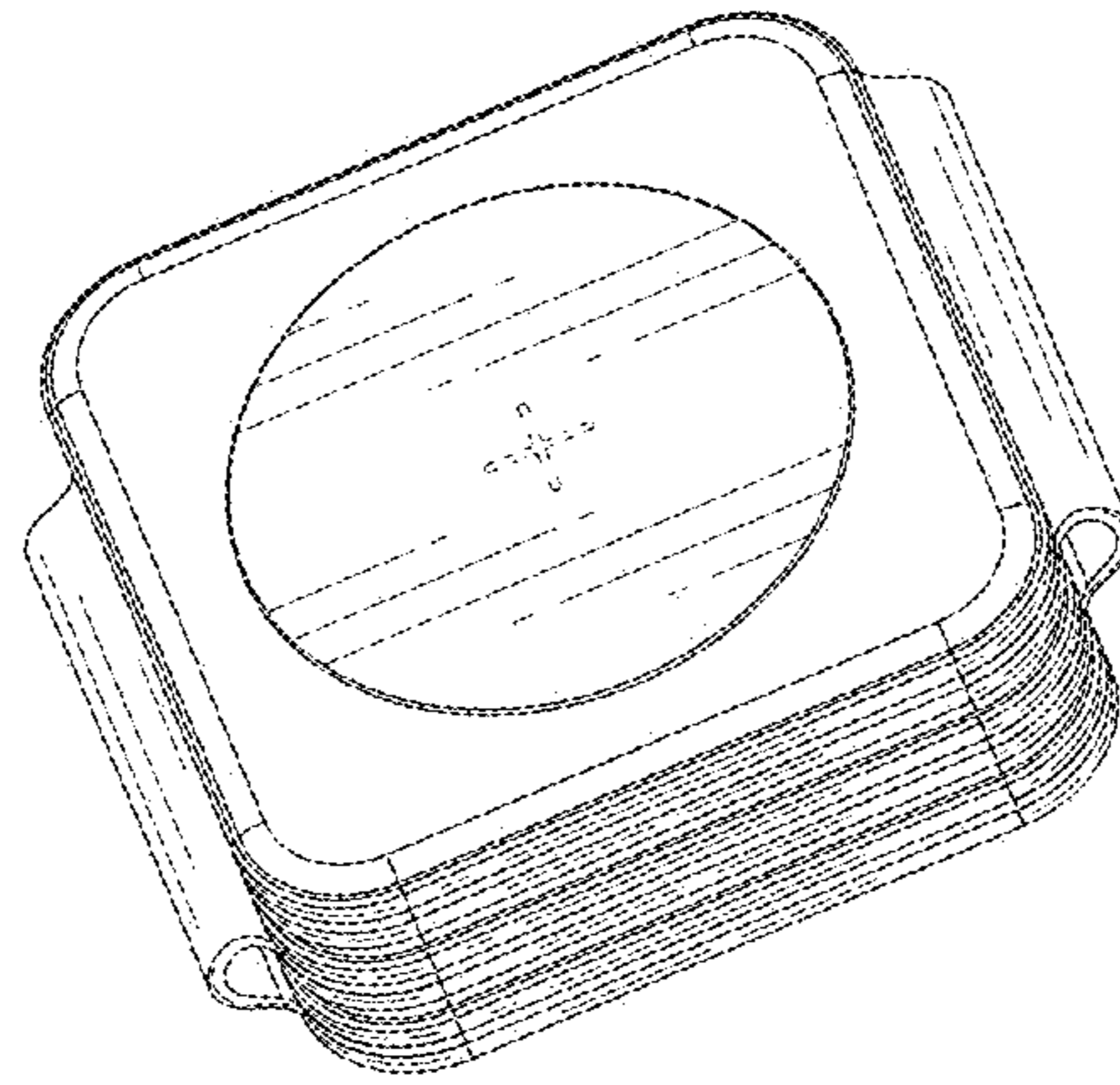


FIG. 3

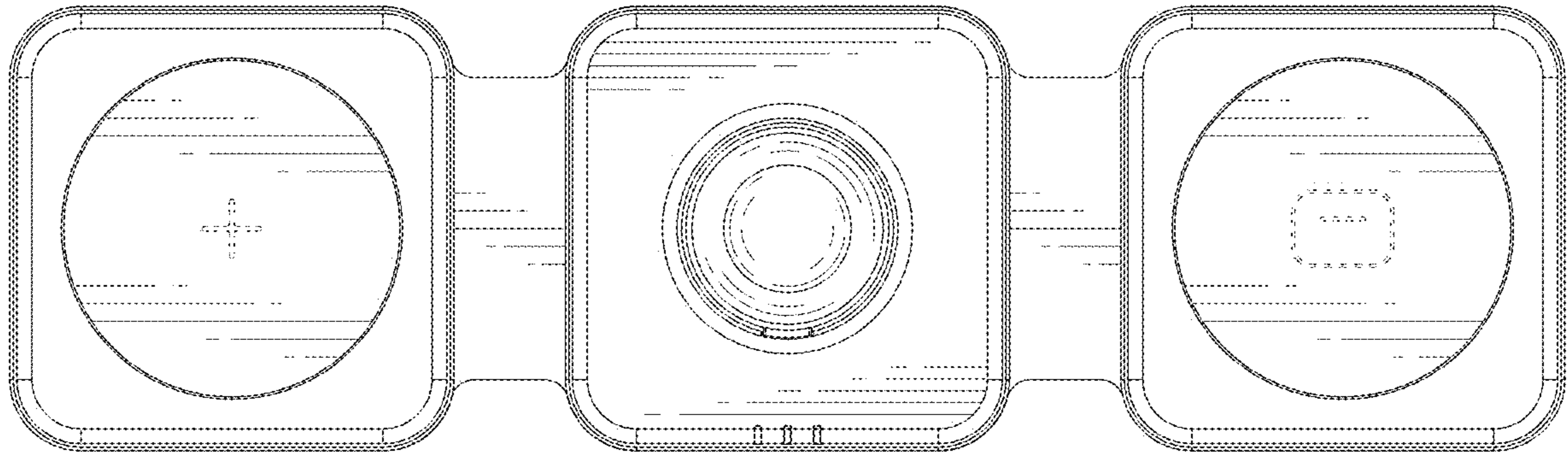


FIG. 4

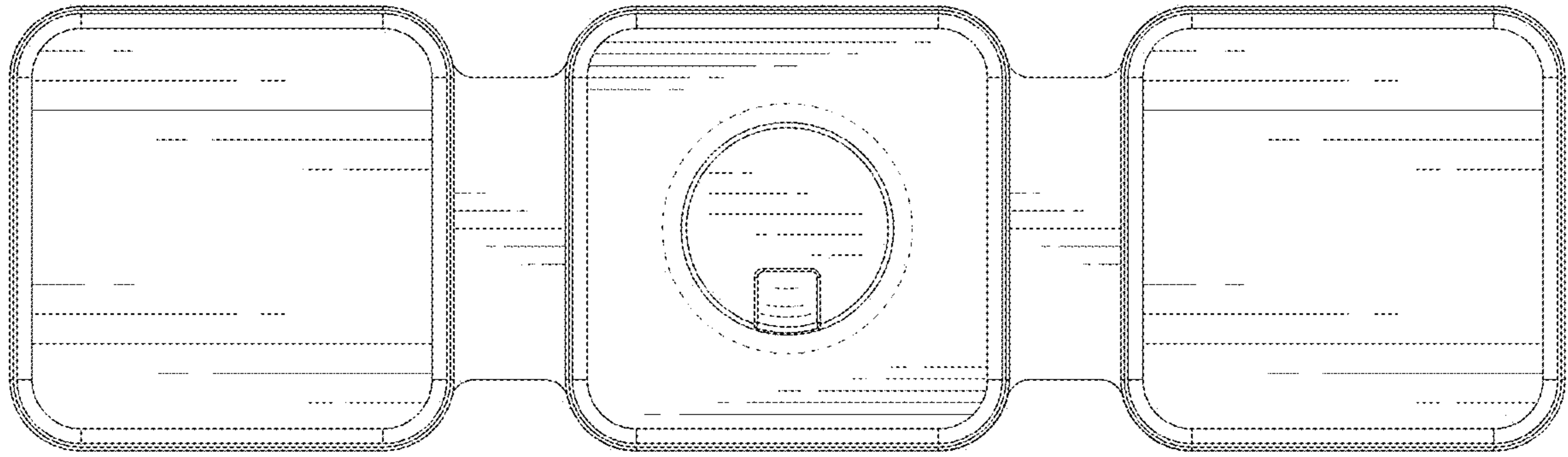


FIG. 5



FIG. 6

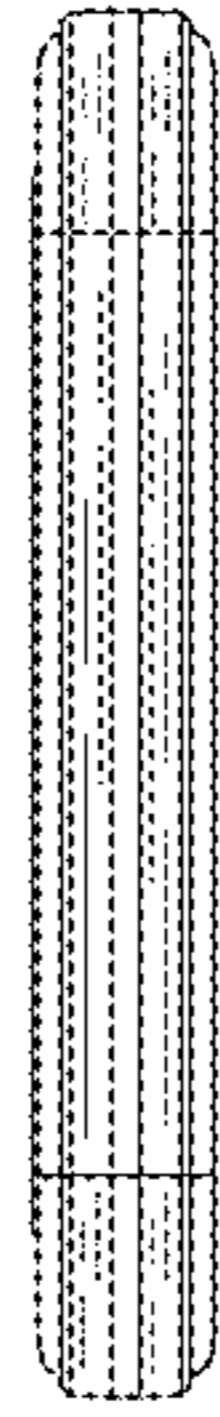


FIG. 7

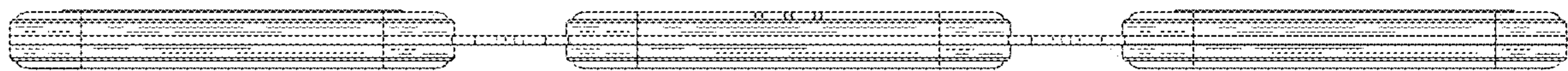


FIG. 8



FIG. 9