



US00D984375S

(12) **United States Design Patent**
Lin

(10) **Patent No.:** **US D984,375 S**
(45) **Date of Patent:** **** Apr. 25, 2023**

(54) **CHARGING STAND**

(71) Applicant: **Qinghai Lin**, Maoming (CN)

(72) Inventor: **Qinghai Lin**, Maoming (CN)

(**) Term: **15 Years**

(21) Appl. No.: **29/832,525**

(22) Filed: **Mar. 28, 2022**

(51) **LOC (14) Cl.** **13-02**

(52) **U.S. Cl.**
USPC **D13/108**

(58) **Field of Classification Search**

USPC D13/103, 107, 108, 118, 119, 183;
D14/217, 240, 251, 253, 432, 433, 434,
D14/439, 447

CPC H02J 7/0049; H02J 50/05; H02J 7/0027;
H04M 1/06

See application file for complete search history.

(56) **References Cited**

U.S. PATENT DOCUMENTS

D621,346 S *	8/2010	Navid	D13/108
D638,789 S *	5/2011	Markowitz	D13/108
D762,650 S *	8/2016	Dang	D14/434
D877,072 S	3/2020	Yin	
D884,622 S *	5/2020	Huang	D13/108
D890,090 S	7/2020	Hernandez et al.	
D900,737 S	11/2020	Hsu	
D942,389 S *	2/2022	Sun	D14/447
D944,788 S *	3/2022	Huang	D14/253
D951,864 S *	5/2022	Chen	D13/108
D955,331 S *	6/2022	Wang	D13/108
D957,329 S *	7/2022	Turksu	D13/108
2011/0234154 A1 *	9/2011	Navid	H02J 7/0049 320/108
2017/0093200 A1 *	3/2017	Green	H02J 7/0044
2019/0190283 A1 *	6/2019	Lee	H04M 1/04
2020/0185952 A1 *	6/2020	Morrow	H02J 50/005

FOREIGN PATENT DOCUMENTS

EM 008547285-0002 * 5/2021

OTHER PUBLICATIONS

“GreenLemon Wireless Charger”. Found online Jul. 26, 2022 at amazon.com. Reference dated Feb. 24, 2022. Retrieved from https://www.amazon.com/dp/B09T9V7Q8M/ref=sspa_dk_detail_6. (Year: 2022).*

“Swift 3 in 1 Wireless Charger”. Found online Mar. 8, 2022 at evolvedchargers.com. Reference dated Apr. 27, 2021. Retrieved from <https://evolvedchargers.com/products/3-in-1-wireless-charger-swift>. (Year: 2021).*

(Continued)

Primary Examiner — Kendra Leslie Hamilton

Assistant Examiner — Amanda Christensen

(74) *Attorney, Agent, or Firm* — Rumit Ranjit Kanakia

(57) **CLAIM**

The ornamental design for a charging stand, as shown and described.

DESCRIPTION

FIG. 1 is a first perspective view of a charging stand showing my new design;

FIG. 2 is a second perspective view thereof;

FIG. 3 is a front view thereof;

FIG. 4 is a back view thereof;

FIG. 5 is a left side view thereof;

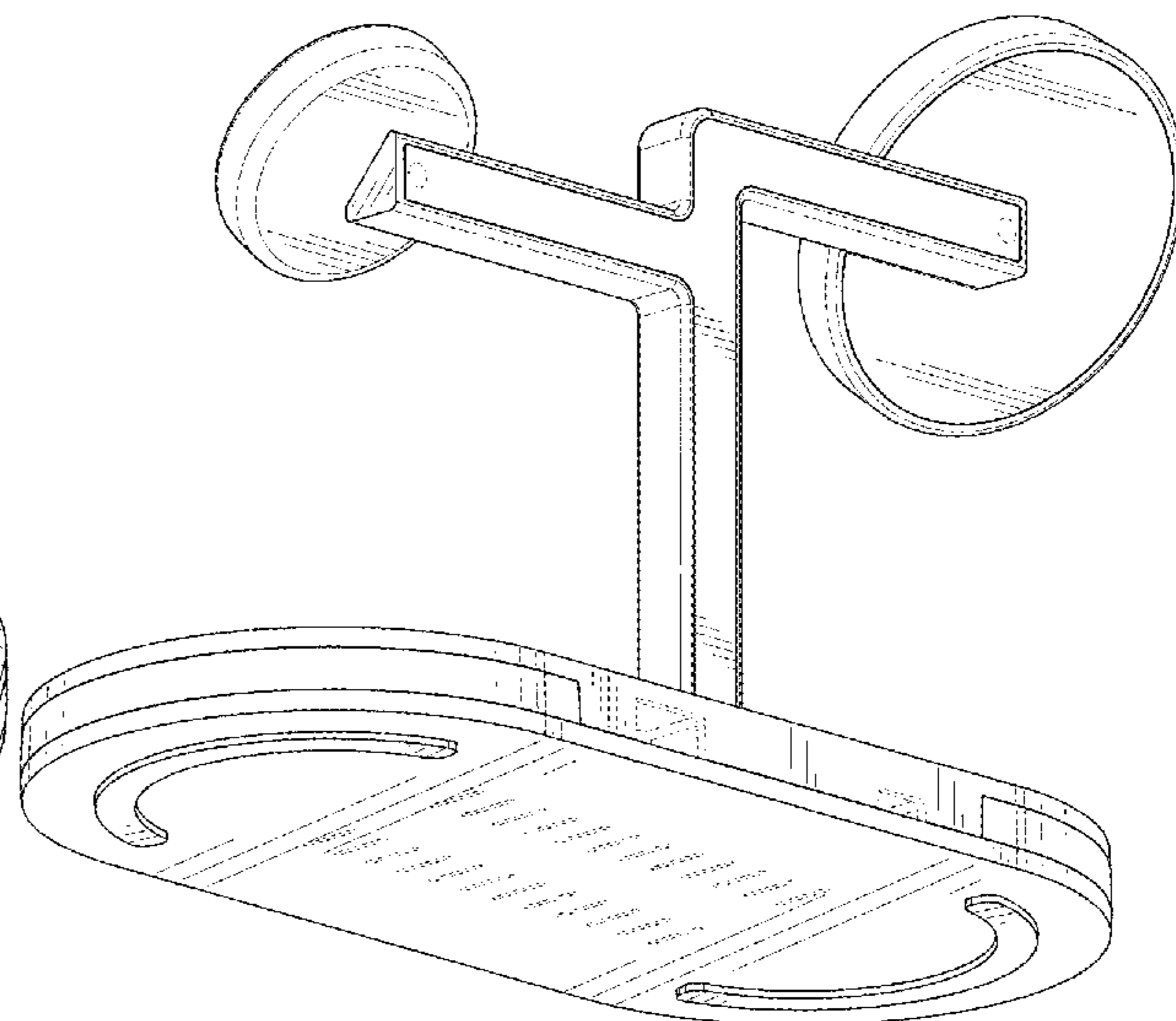
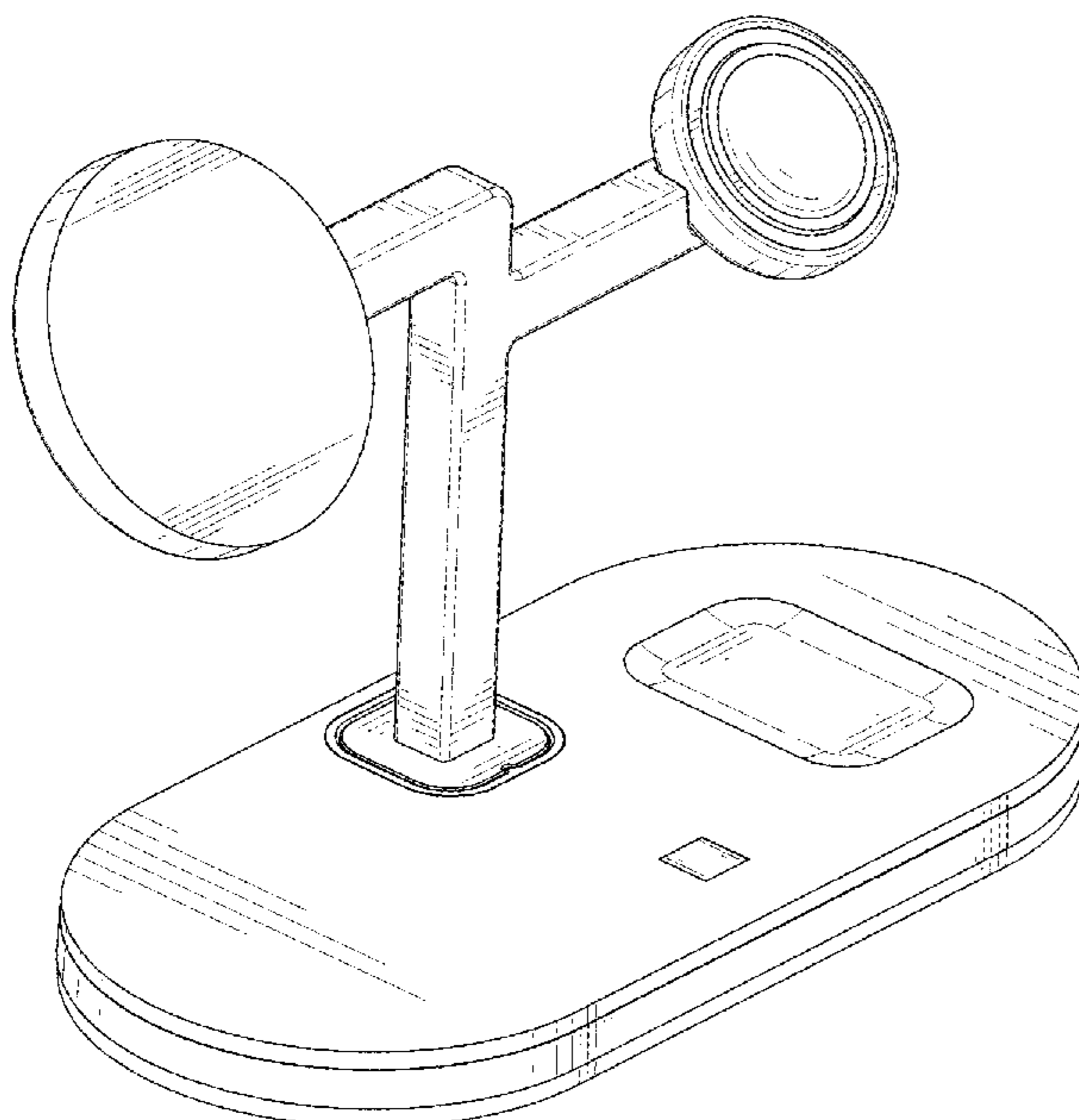
FIG. 6 is a right side view thereof;

FIG. 7 is a top view thereof; and,

FIG. 8 is a bottom view thereof.

The broken lines shown in the drawings depict portions of the charging stand that form no part of the claimed design.

1 Claim, 8 Drawing Sheets



(56)

References Cited

OTHER PUBLICATIONS

“Belkin Boost Charge Pro 3-in-1 15W Wireless Charger”. Found online Mar. 8, 2022 at bhphotovideo.com. Reference dated Oct. 22, 2020. Retrieved from https://www.bhphotovideo.com/c/product/1617699-REG/belkin_wiz009ttbk_boost_charge_pro_3_in_1.html/reviews. (Year: 2020).*

* cited by examiner

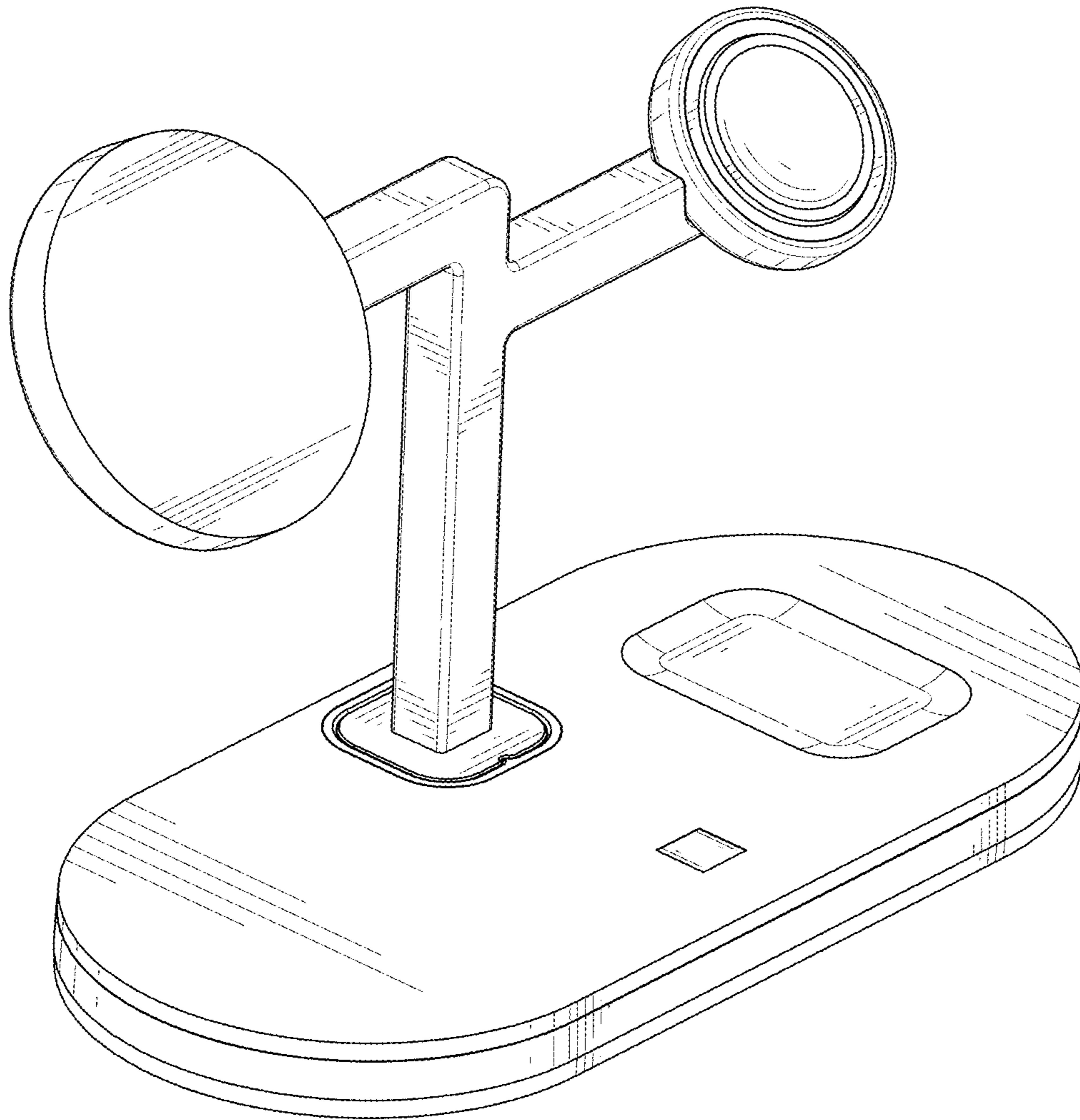


FIG. 1

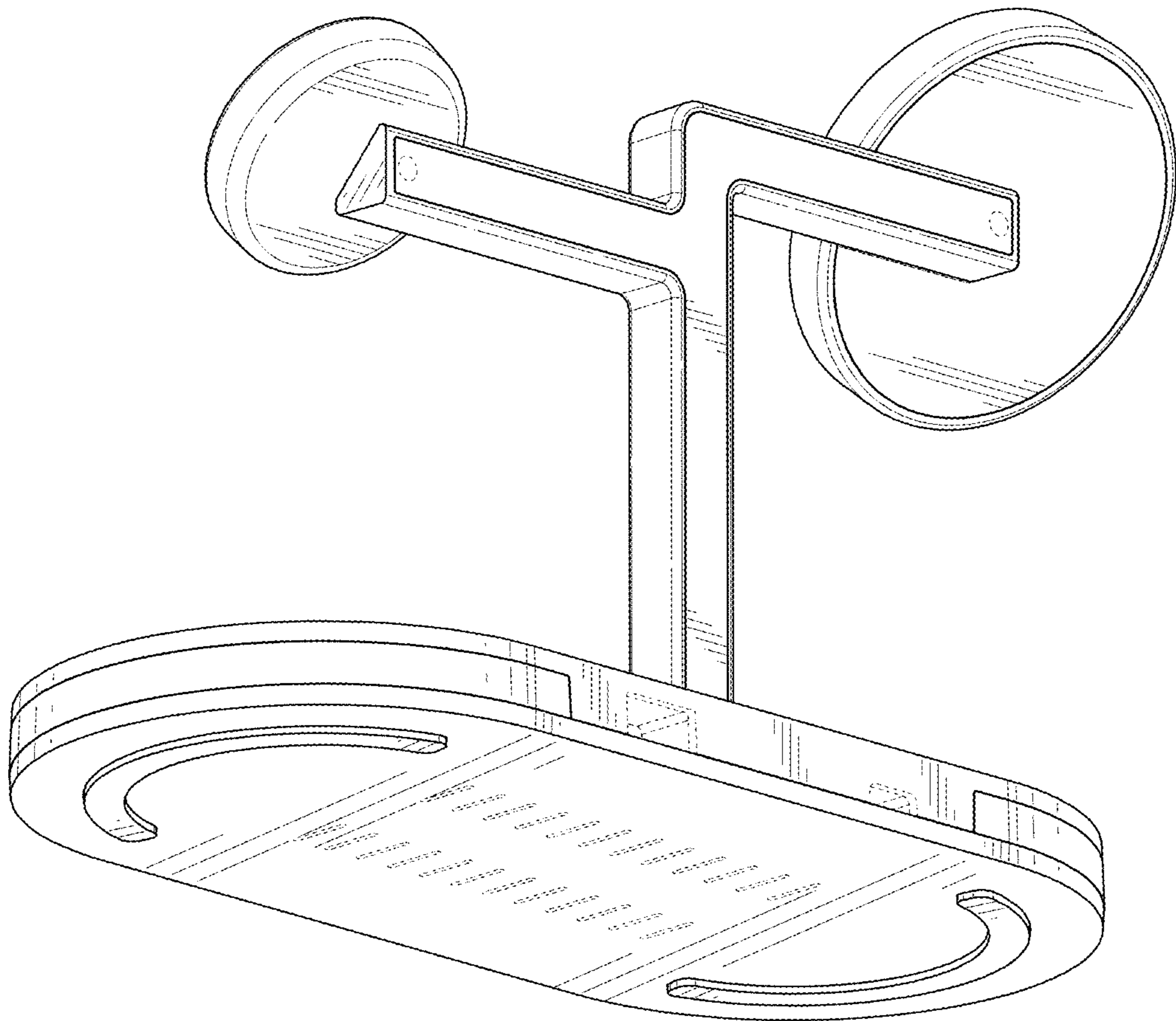


FIG. 2

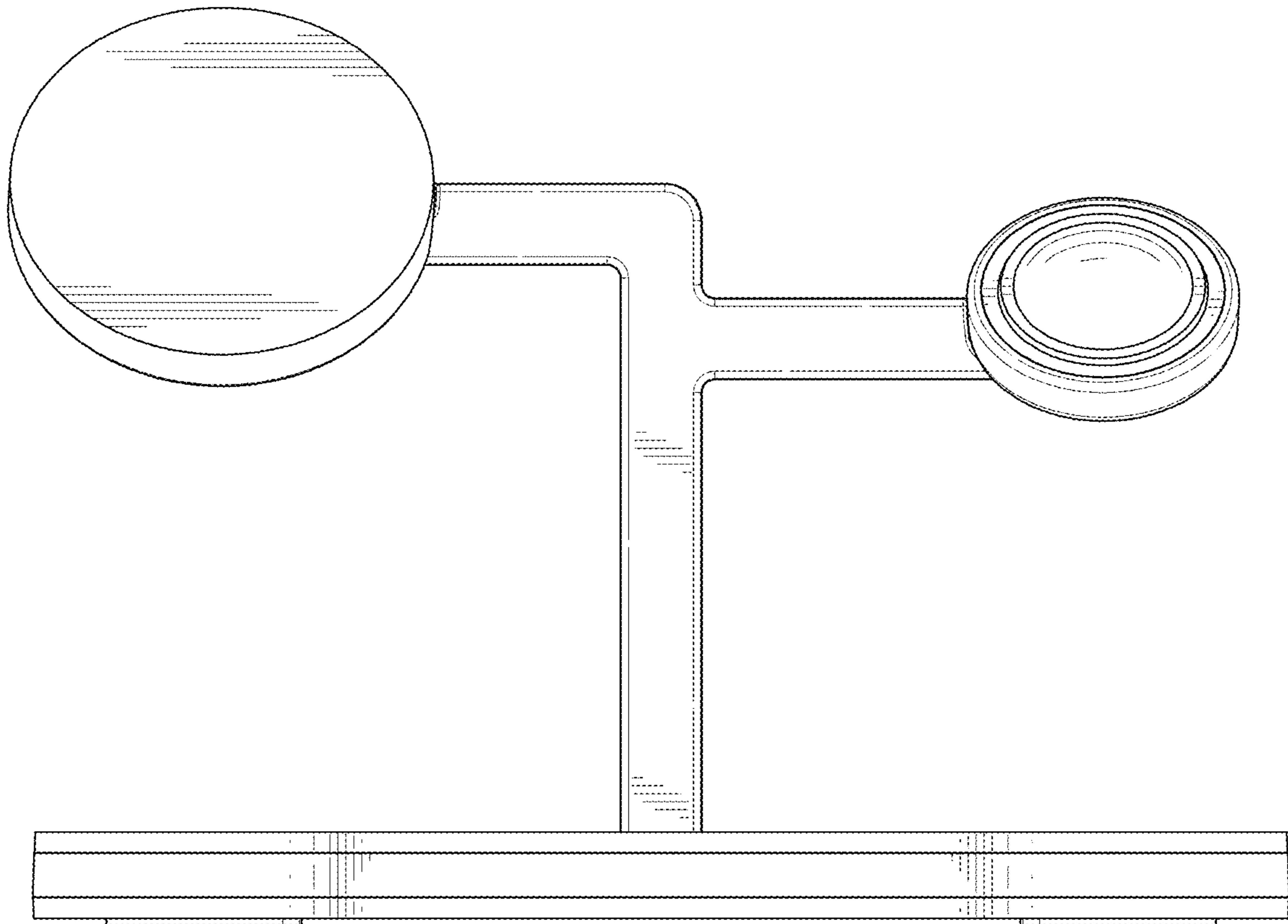


FIG. 3

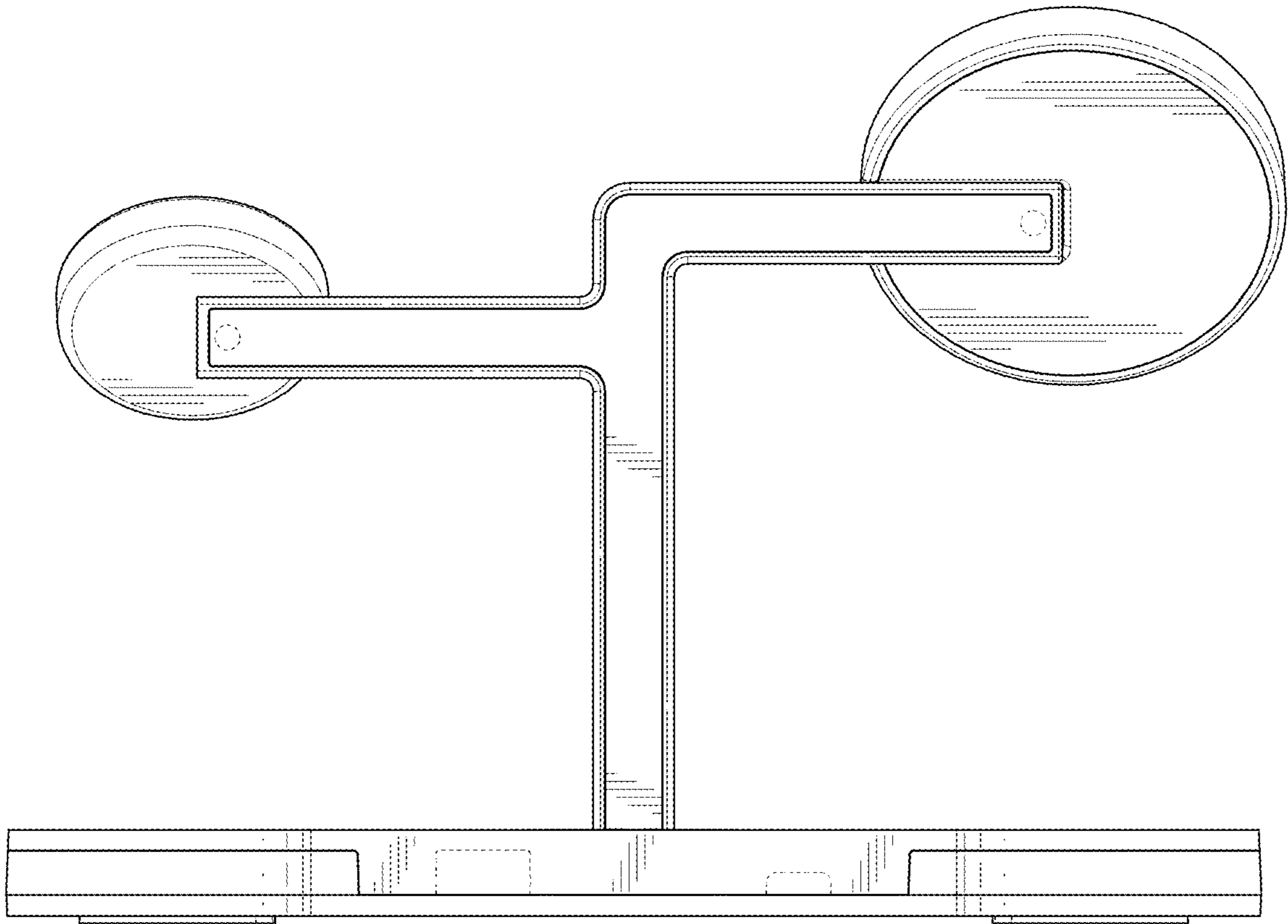


FIG. 4

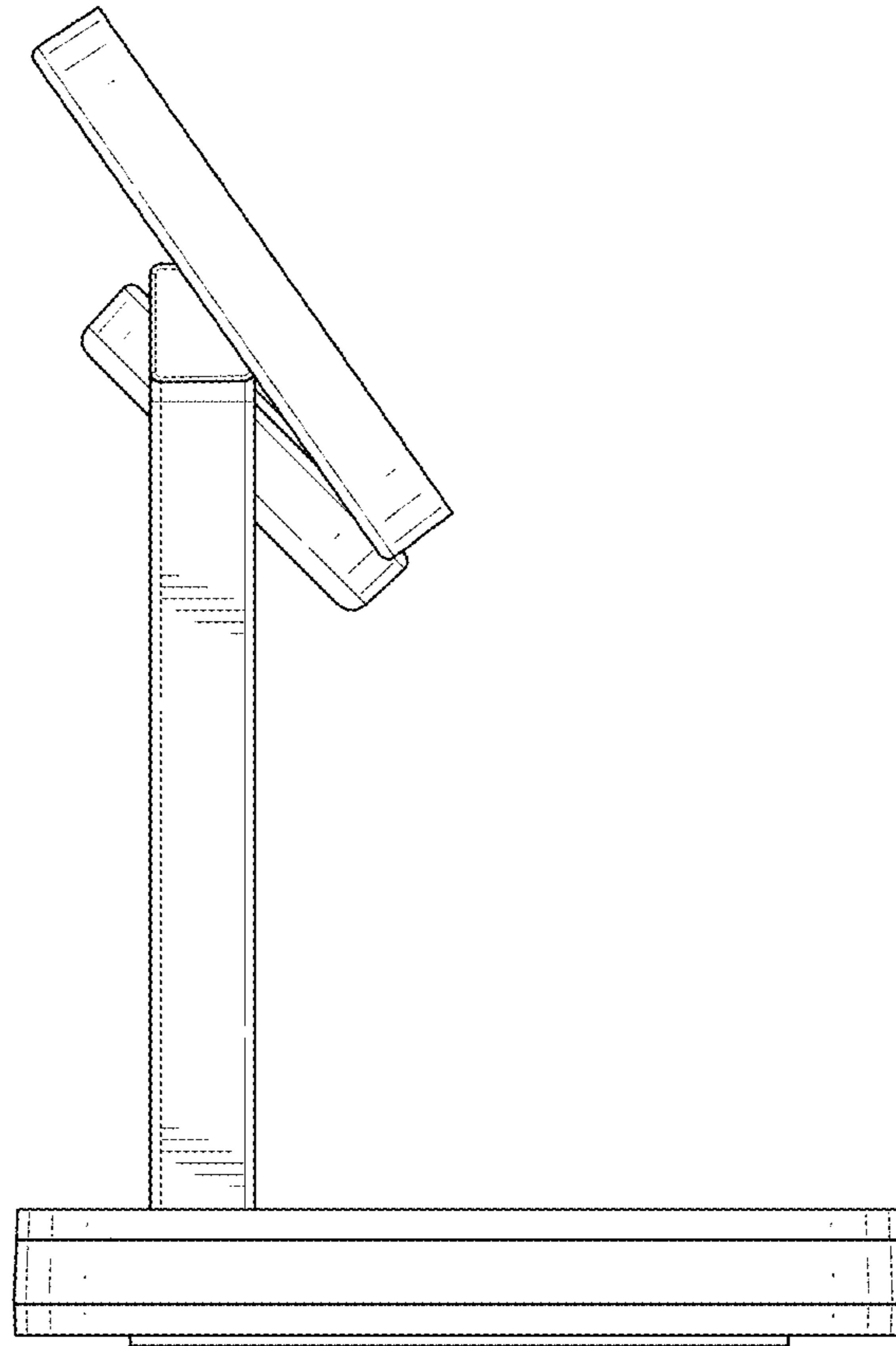


FIG. 5

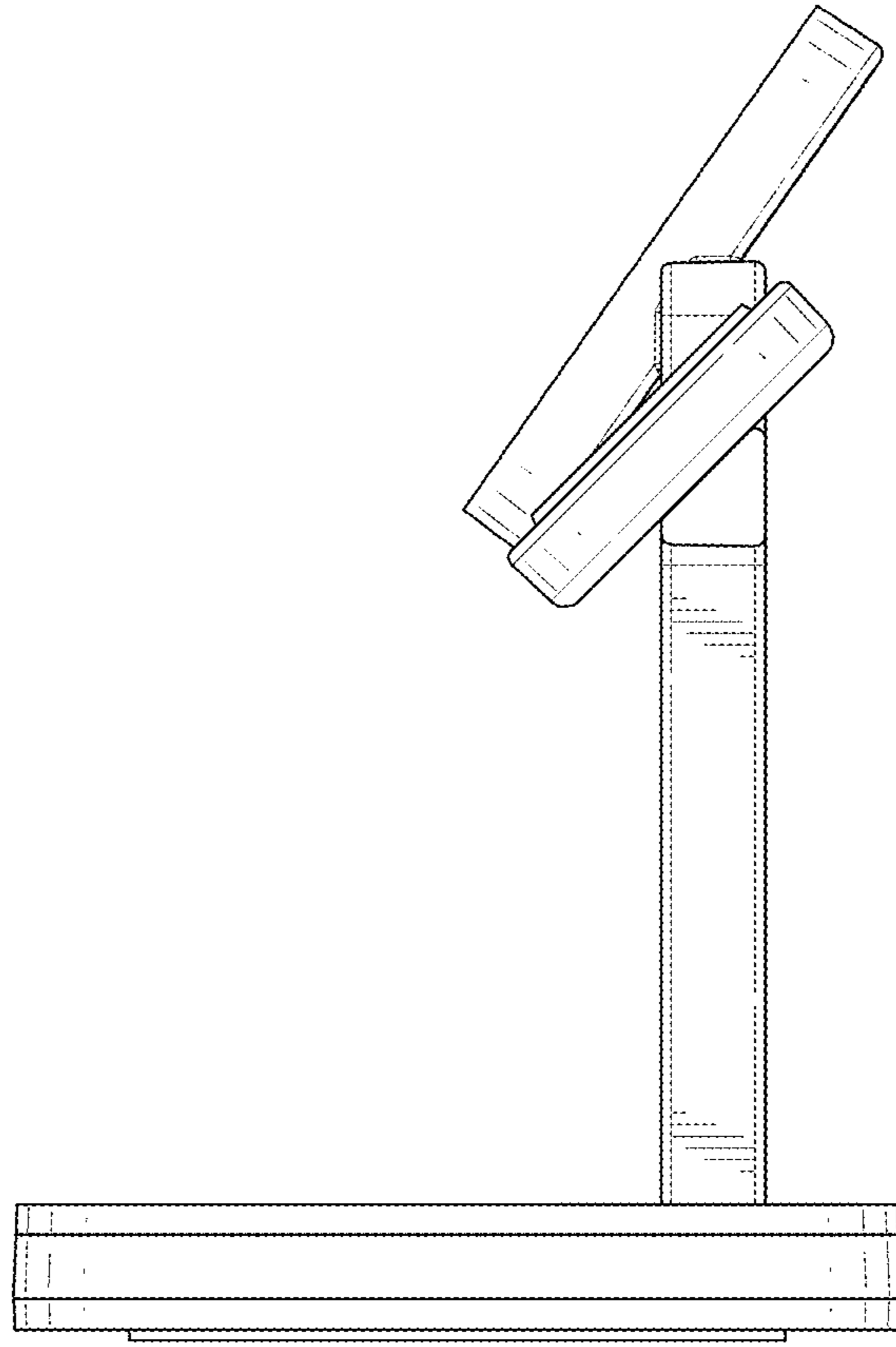


FIG. 6

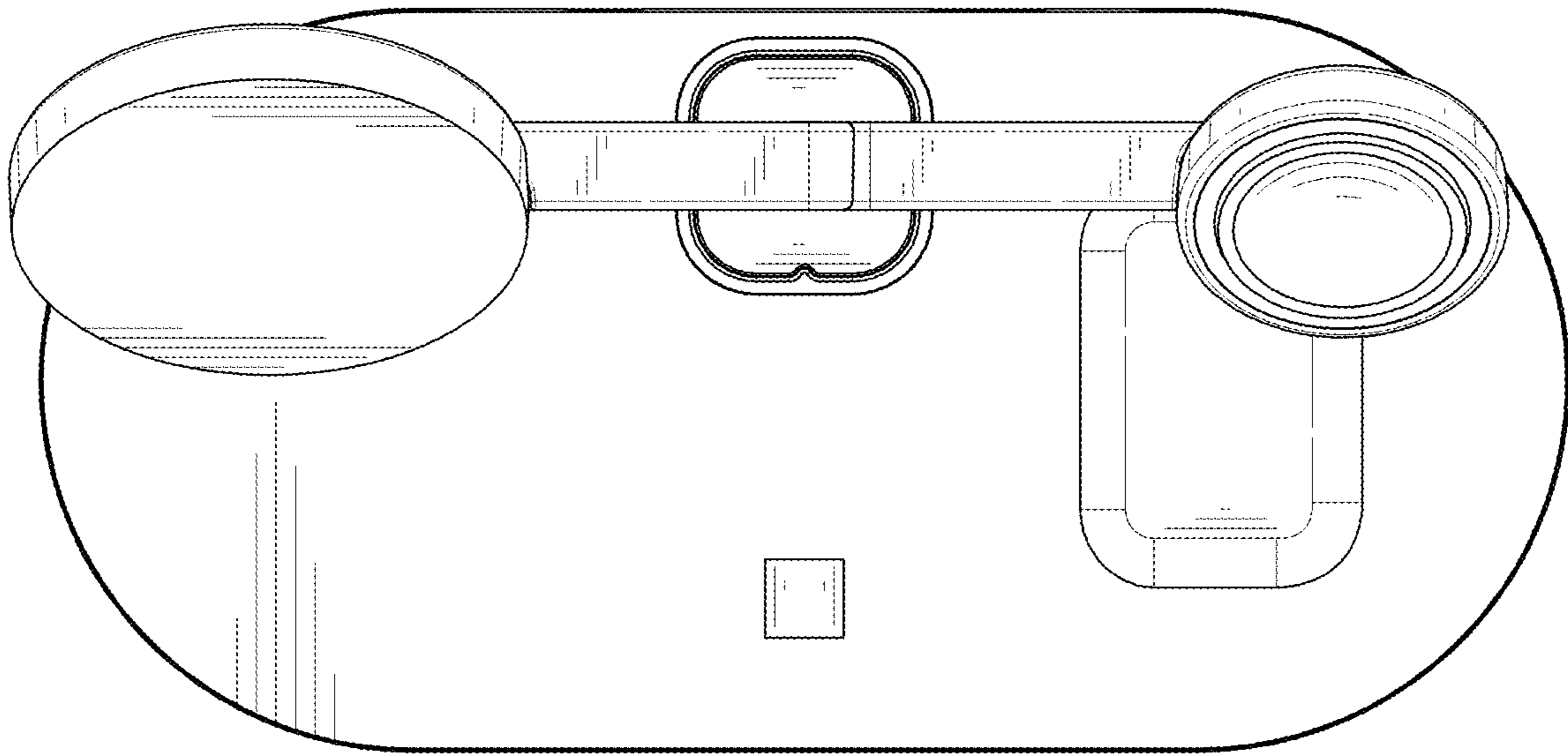


FIG. 7

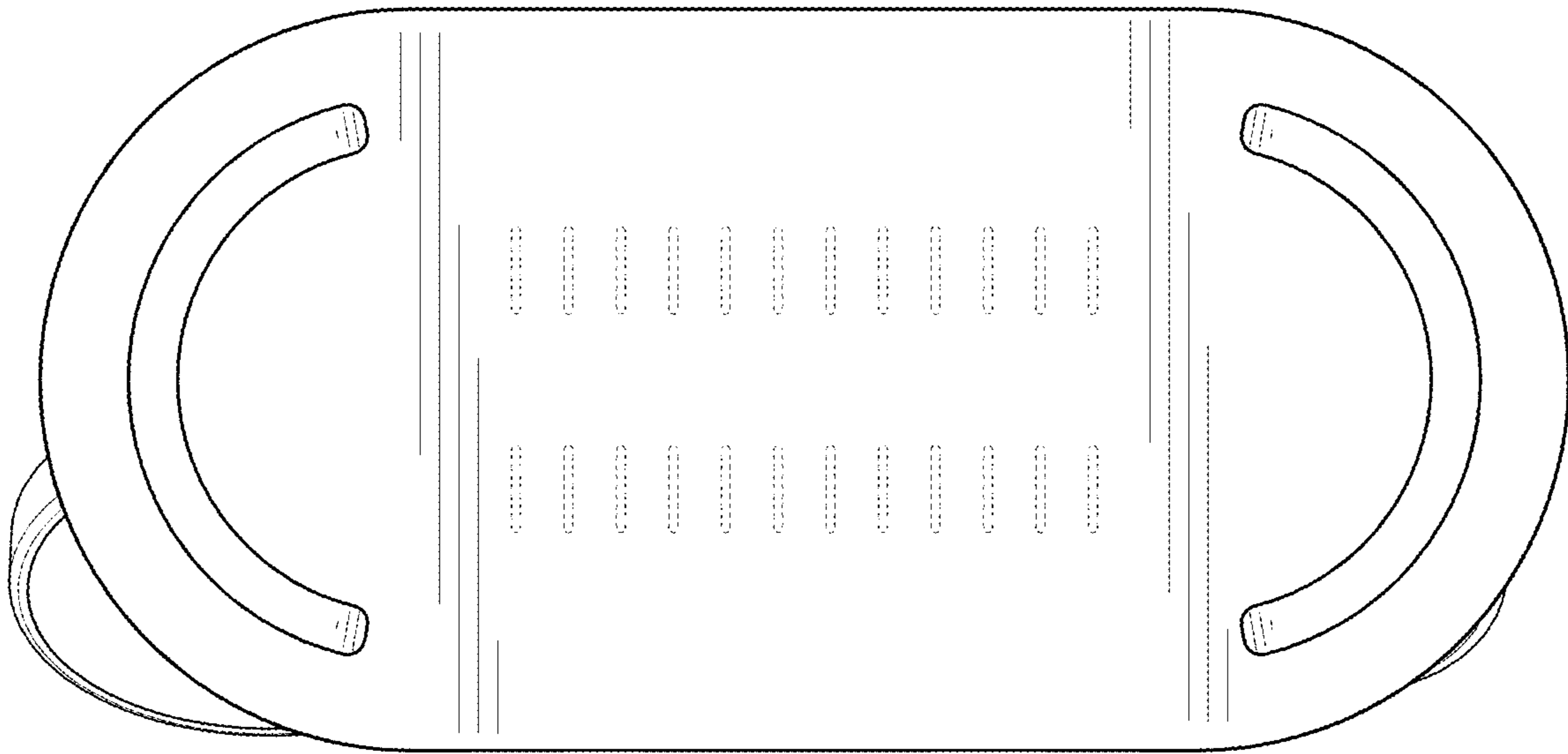


FIG. 8