



US00D984370S

(12) **United States Design Patent**
Yang

(10) **Patent No.:** **US D984,370 S**

(45) **Date of Patent:** **** Apr. 25, 2023**

(54) **WIRELESS CHARGER**

(71) Applicant: **Beijing Xiaomi Mobile Software Co., Ltd.**, Beijing (CN)

(72) Inventor: **Shuai Yang**, Beijing (CN)

(73) Assignee: **BEIJING XIAOMI MOBILE SOFTWARE CO., LTD.**, Beijing (CN)

(**) Term: **15 Years**

(21) Appl. No.: **29/690,744**

(22) Filed: **May 10, 2019**

(30) **Foreign Application Priority Data**

Nov. 12, 2018 (CN) 201830638774.6

(51) **LOC (14) Cl.** **13-02**

(52) **U.S. Cl.**
USPC **D13/108**

(58) **Field of Classification Search**
USPC D13/107–108, 110, 118–119, 184, 199;
D14/251, 253, 432, 434
CPC .. H02J 7/025; H02J 7/005; H02J 50/00; H02J
50/10; H02J 50/12; H02J 50/80
See application file for complete search history.

(56) **References Cited**

U.S. PATENT DOCUMENTS

D654,431 S *	2/2012	Stephanchick	D13/108
D772,813 S *	11/2016	Wahl	D13/108
D810,015 S *	2/2018	Carreon	D13/108
D832,208 S *	10/2018	Grois	D13/108
D845,897 S *	4/2019	Kim	D13/108
D850,371 S *	6/2019	Yun	D13/108
D875,042 S *	2/2020	Ye	D13/108
D884,625 S *	5/2020	Li	D13/108
D887,974 S *	6/2020	Chen	D13/108
D899,359 S *	10/2020	Zhang	D13/108

D906,958 S *	1/2021	Fitzgerald	D13/108
D911,277 S *	2/2021	Shang	D13/108
D937,775 S *	12/2021	Maloney	D13/108
D938,353 S *	12/2021	Gan	D13/108
D948,426 S *	4/2022	Liao	D14/252

(Continued)

Primary Examiner — Rosemary K Tarcza

(74) *Attorney, Agent, or Firm* — Amster, Rothstein & Ebenstein LLP

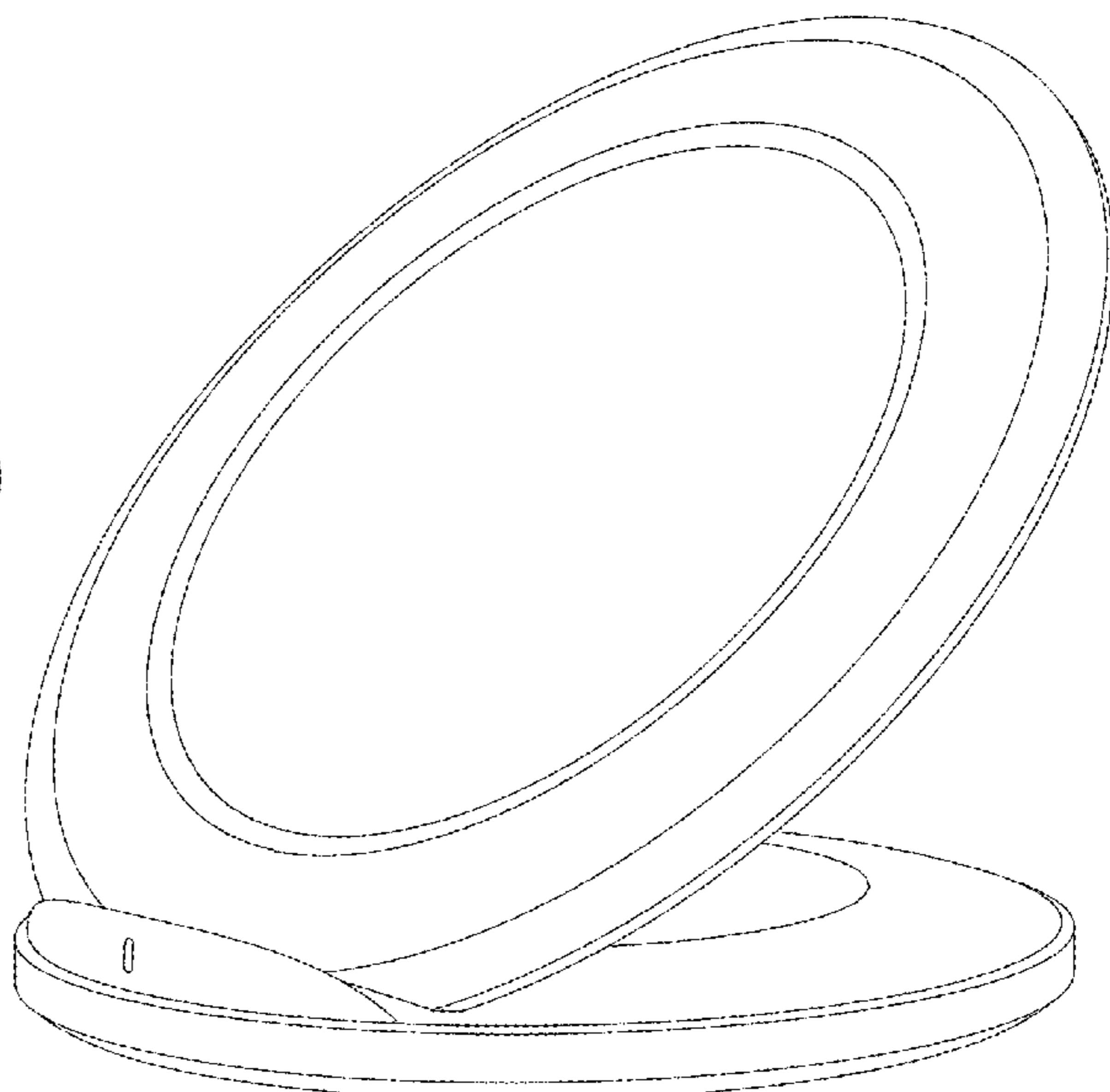
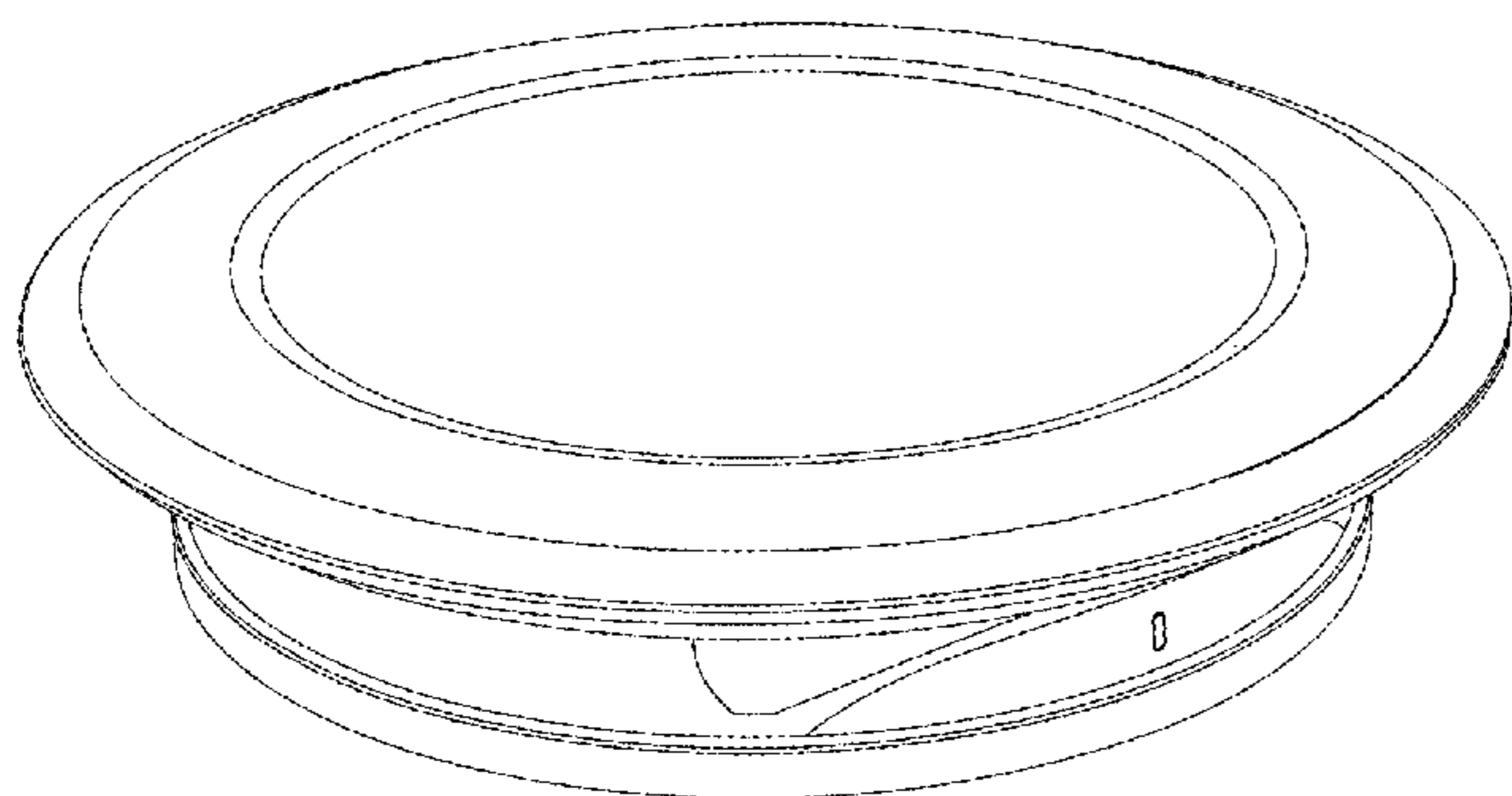
(57) **CLAIM**

The ornamental design for a wireless charger, as shown and described.

DESCRIPTION

FIG. 1 is a front view of embodiment 1 of the new design, showing a wireless charger with a pedestal;
 FIG. 2 is a back view of embodiment 1;
 FIG. 3 is a left view of embodiment 1;
 FIG. 4 is a right view of embodiment 1;
 FIG. 5 is a top view of embodiment 1;
 FIG. 6 is a bottom view of embodiment 1;
 FIG. 7 is a perspective view of embodiment 1;
 FIG. 8 is another perspective view of embodiment 1;
 FIG. 9 is a perspective view of embodiment 1, showing a detachment state of the wireless charger and the pedestal;
 FIG. 10 is a front view of embodiment 2 of the new design, showing a wireless charger with a pedestal, set in a different (inclined) orientation;
 FIG. 11 is a back view of embodiment 2;
 FIG. 12 is a left view of embodiment 2;
 FIG. 13 is a right view of embodiment 2;
 FIG. 14 is a top view of embodiment 2;
 FIG. 15 is a bottom view of embodiment 2;
 FIG. 16 is a perspective view of embodiment 2;
 FIG. 17 is another perspective view of embodiment 2; and,
 FIG. 18 is a perspective view of embodiment 2, showing a detachment state of the wireless charger and the pedestal.

1 Claim, 15 Drawing Sheets



(56)

References Cited

U.S. PATENT DOCUMENTS

D948,427 S * 4/2022 Lin D13/108
D957,329 S * 7/2022 Turksu D13/108

* cited by examiner

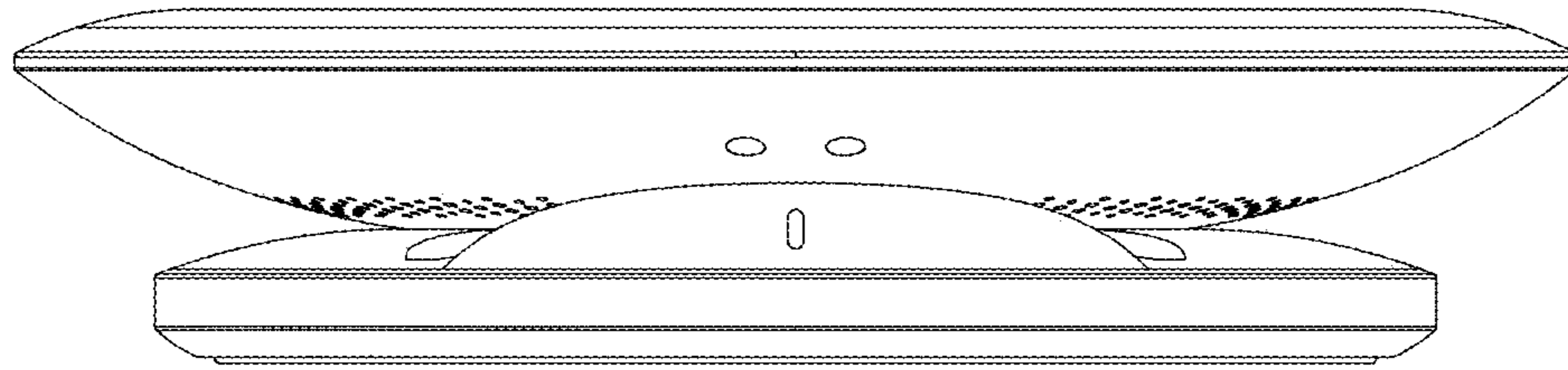


Fig. 1

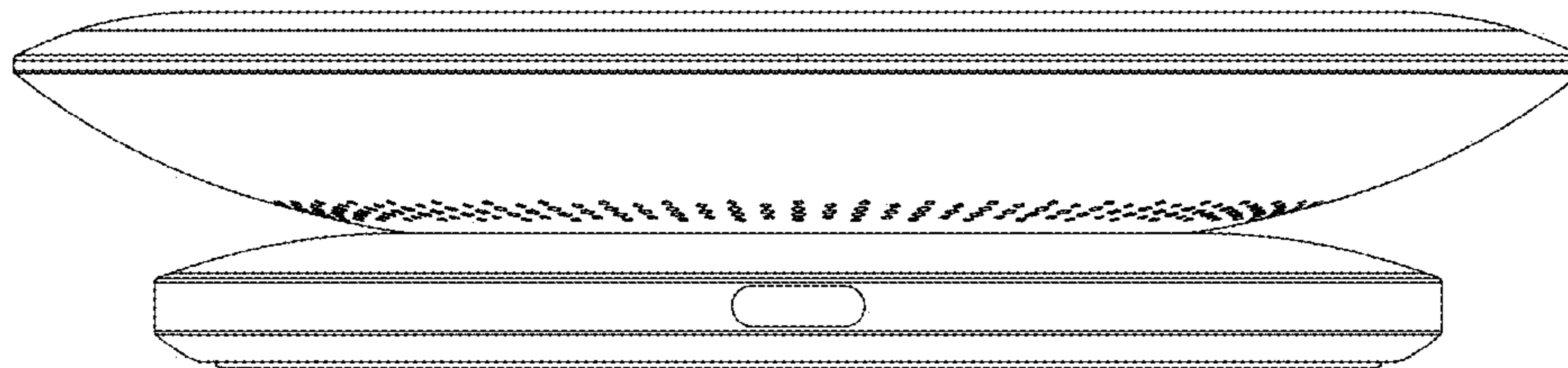


Fig. 2

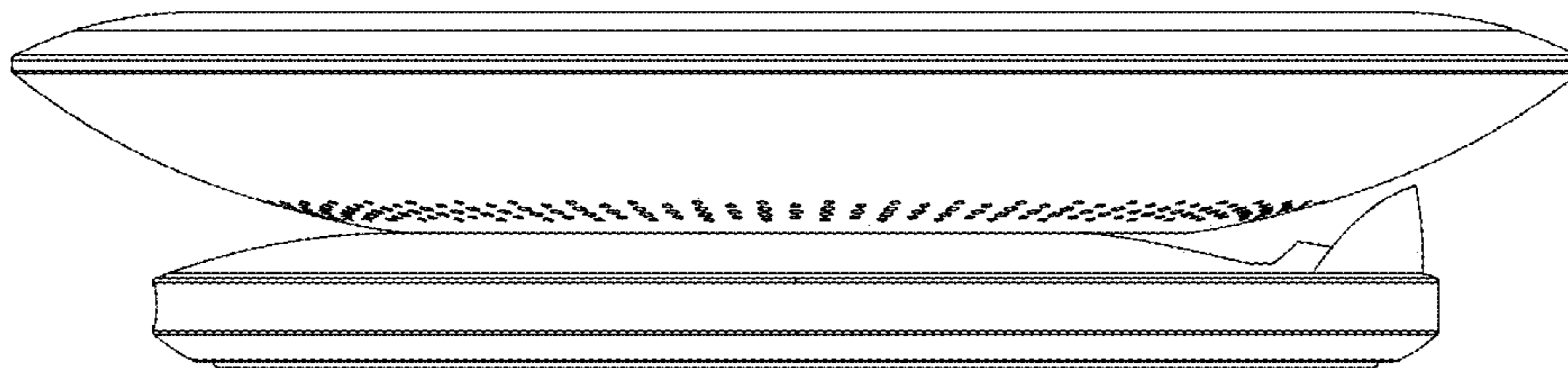


Fig. 3

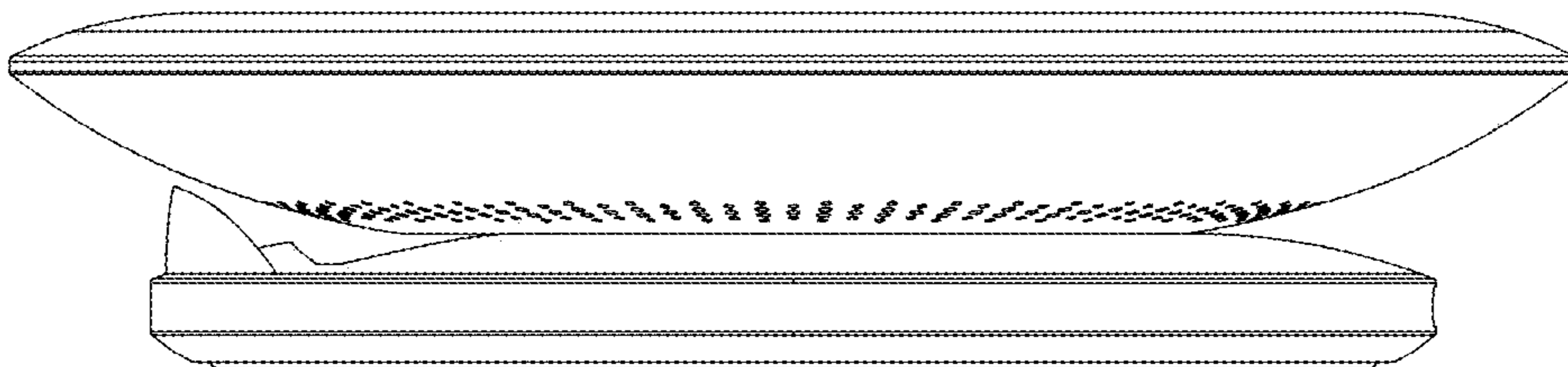


Fig. 4

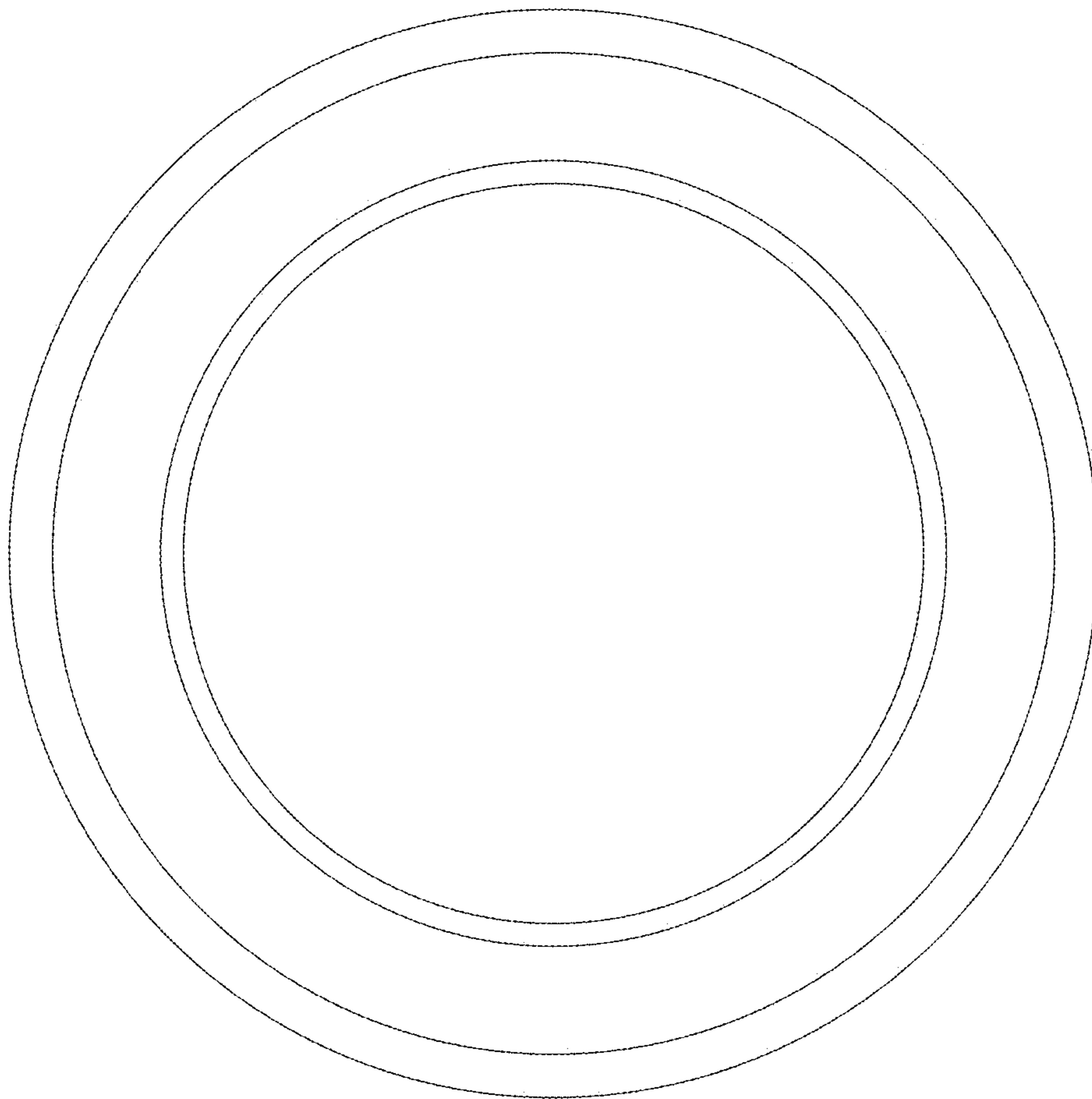


Fig. 5

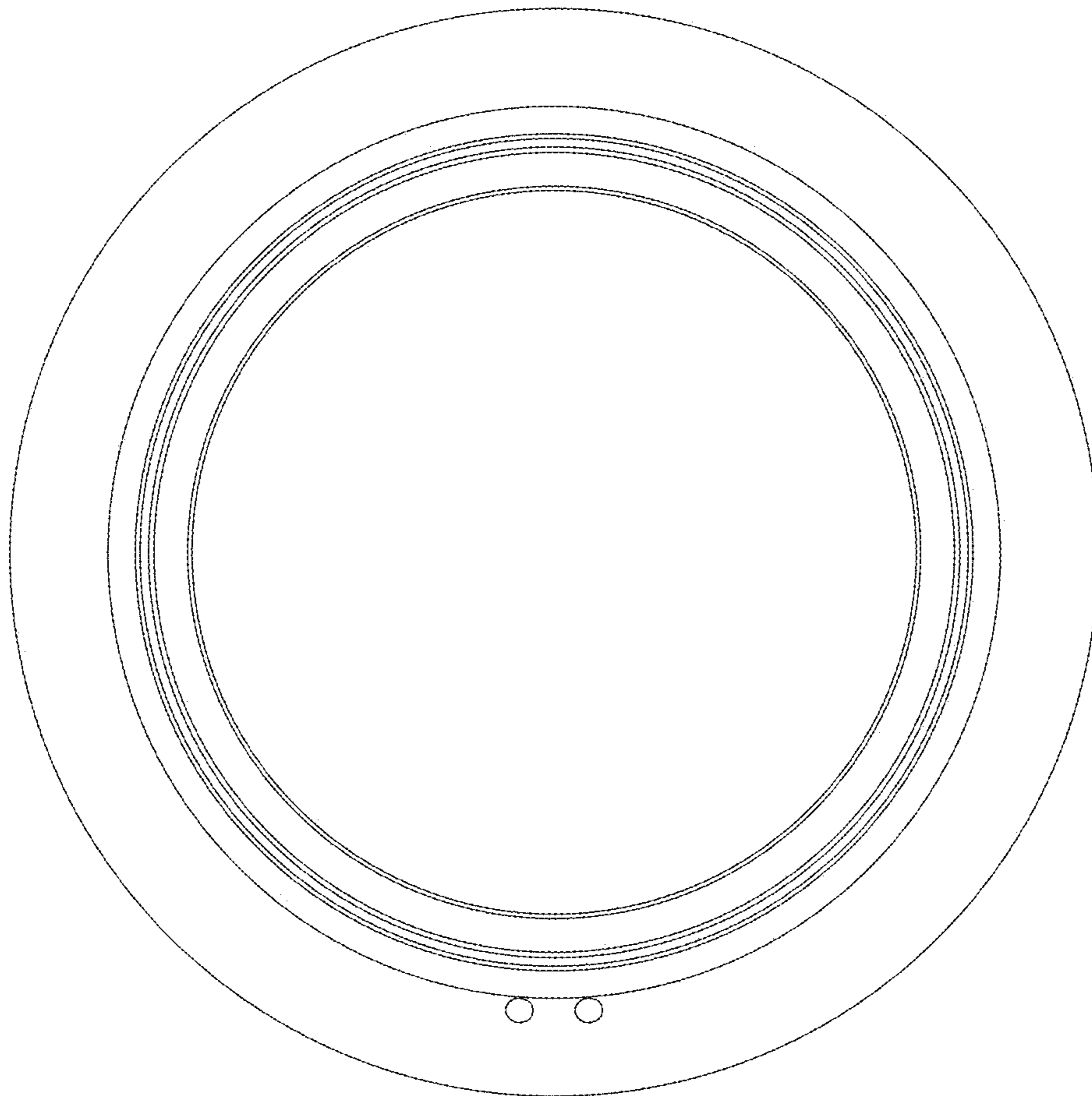


Fig. 6

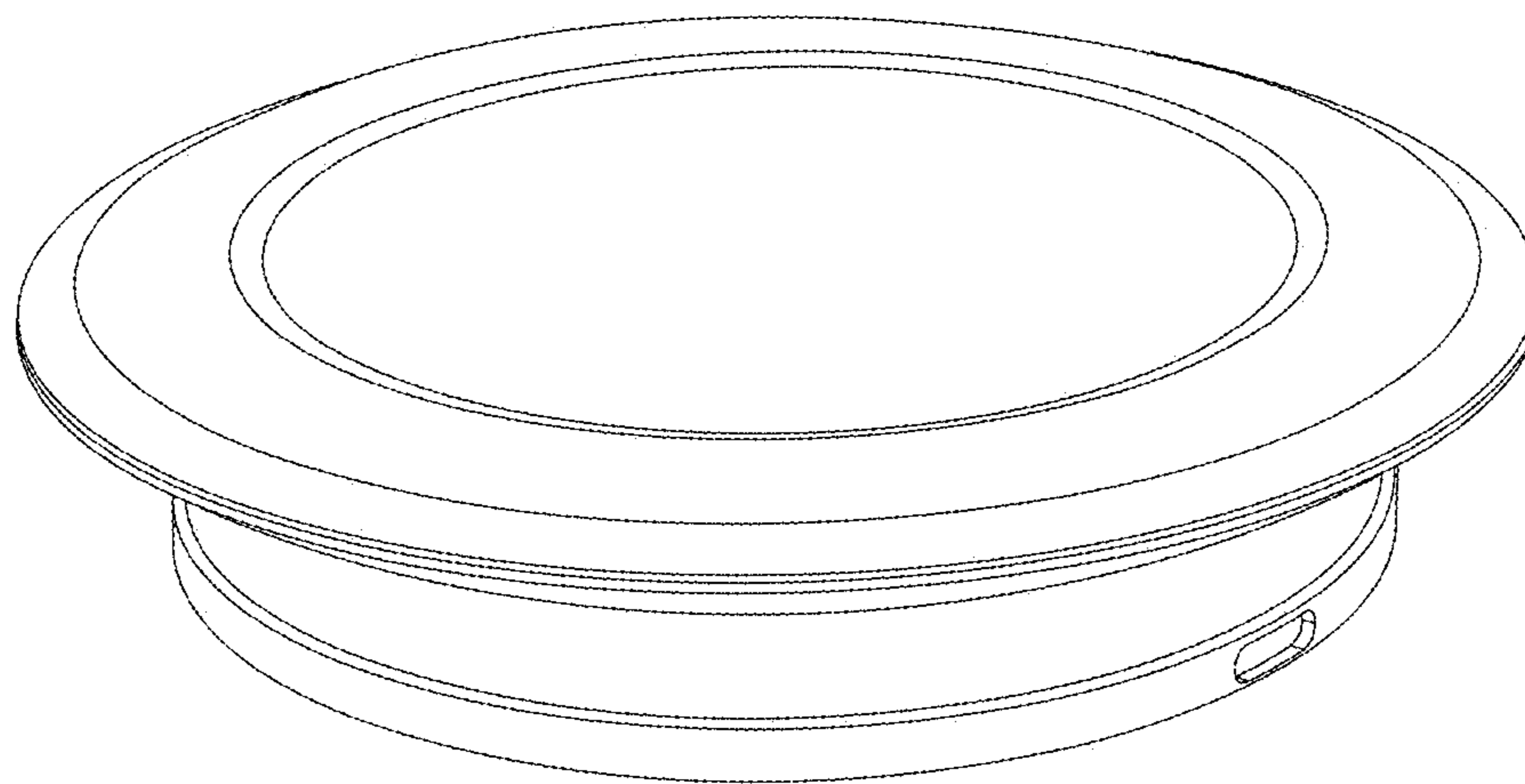


Fig. 7

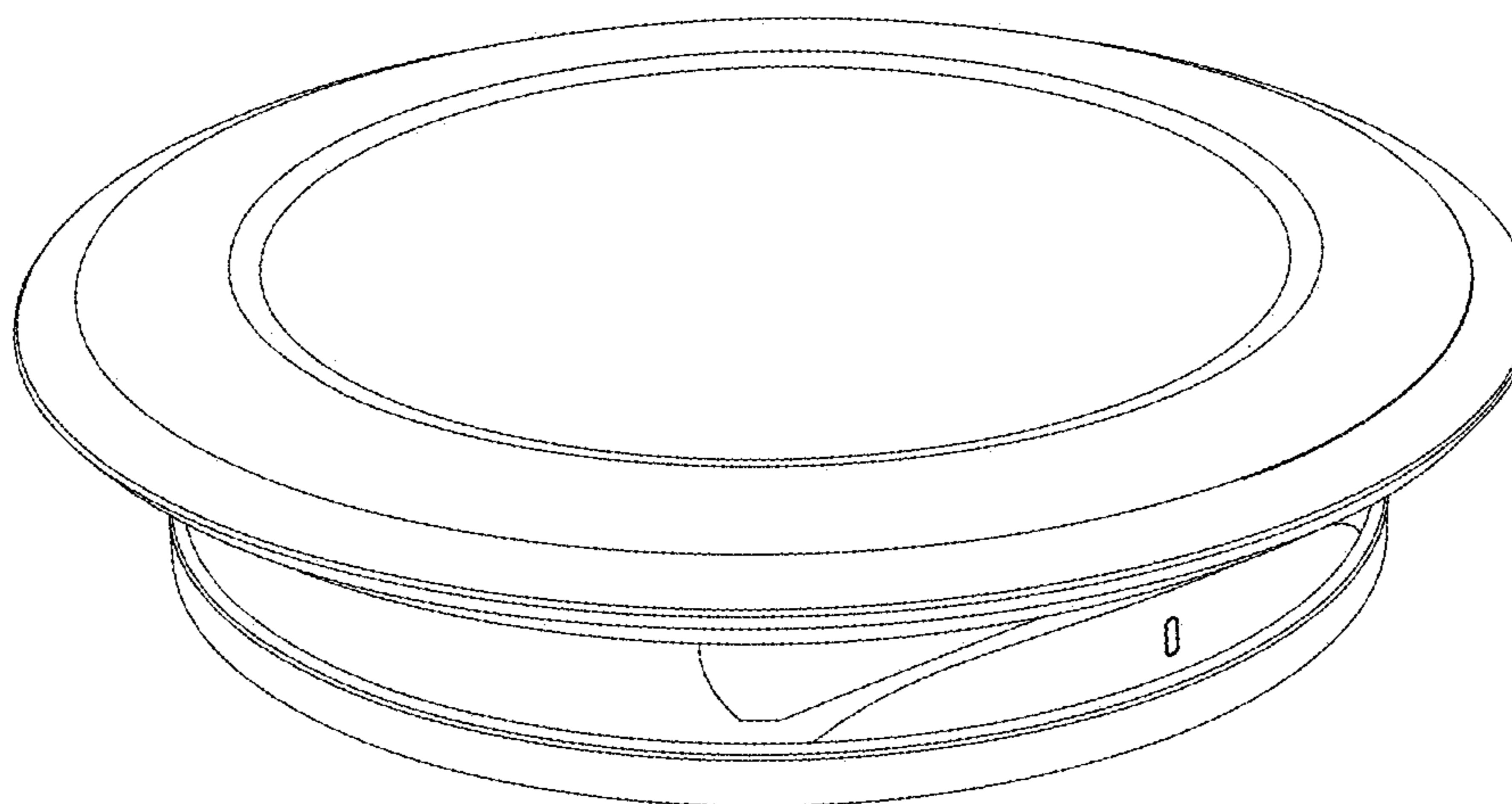


Fig. 8

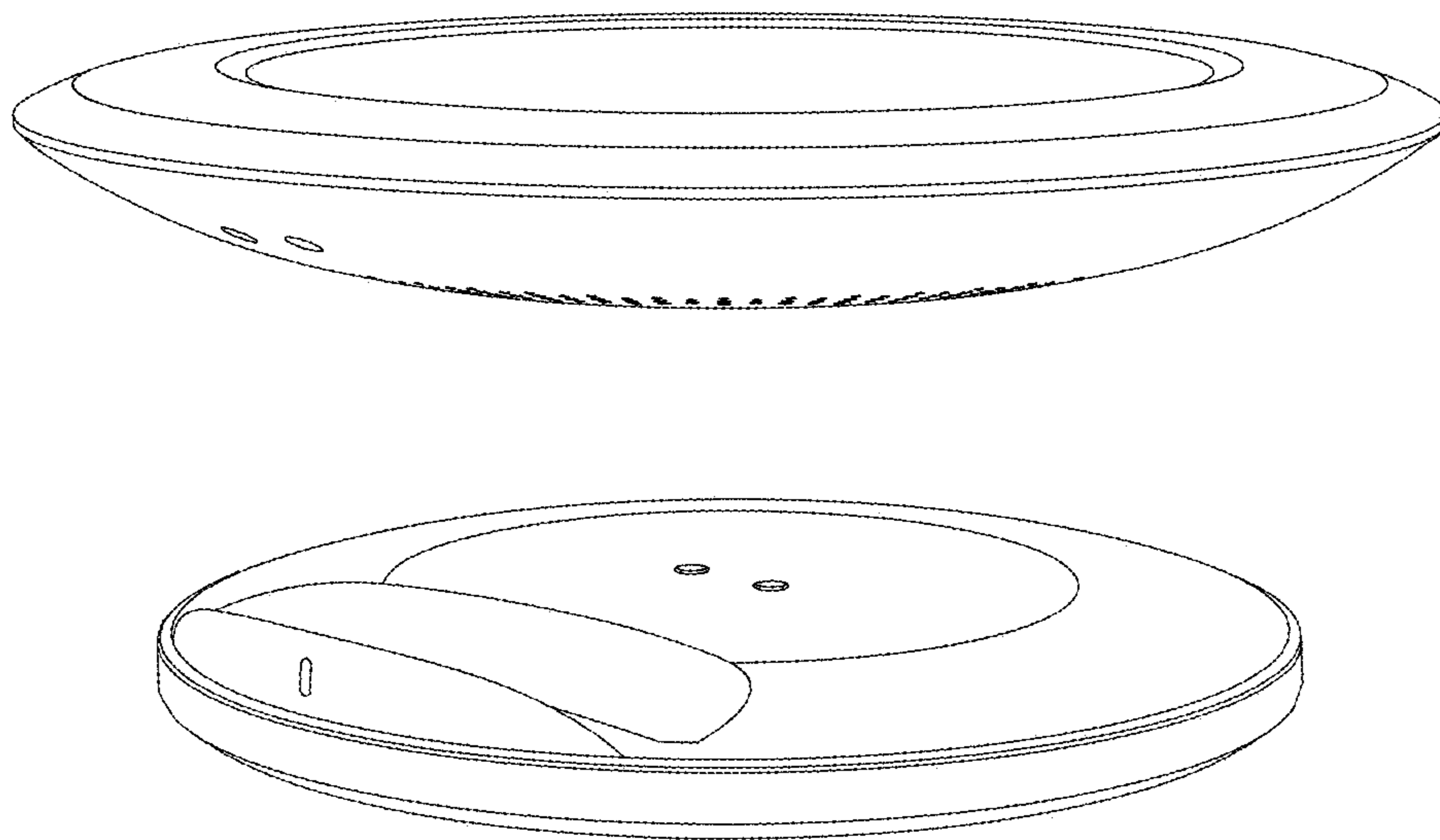


Fig. 9

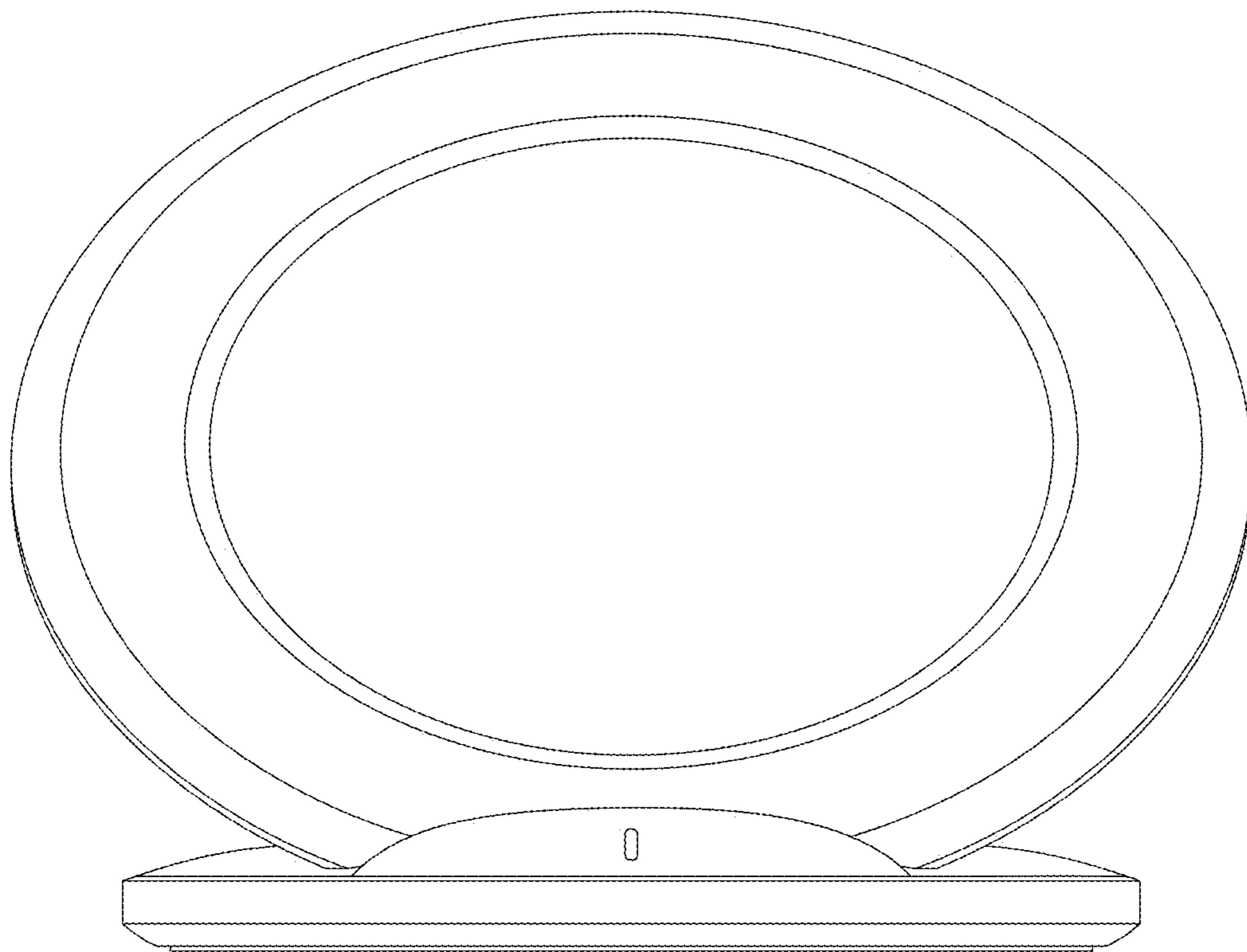


Fig. 10

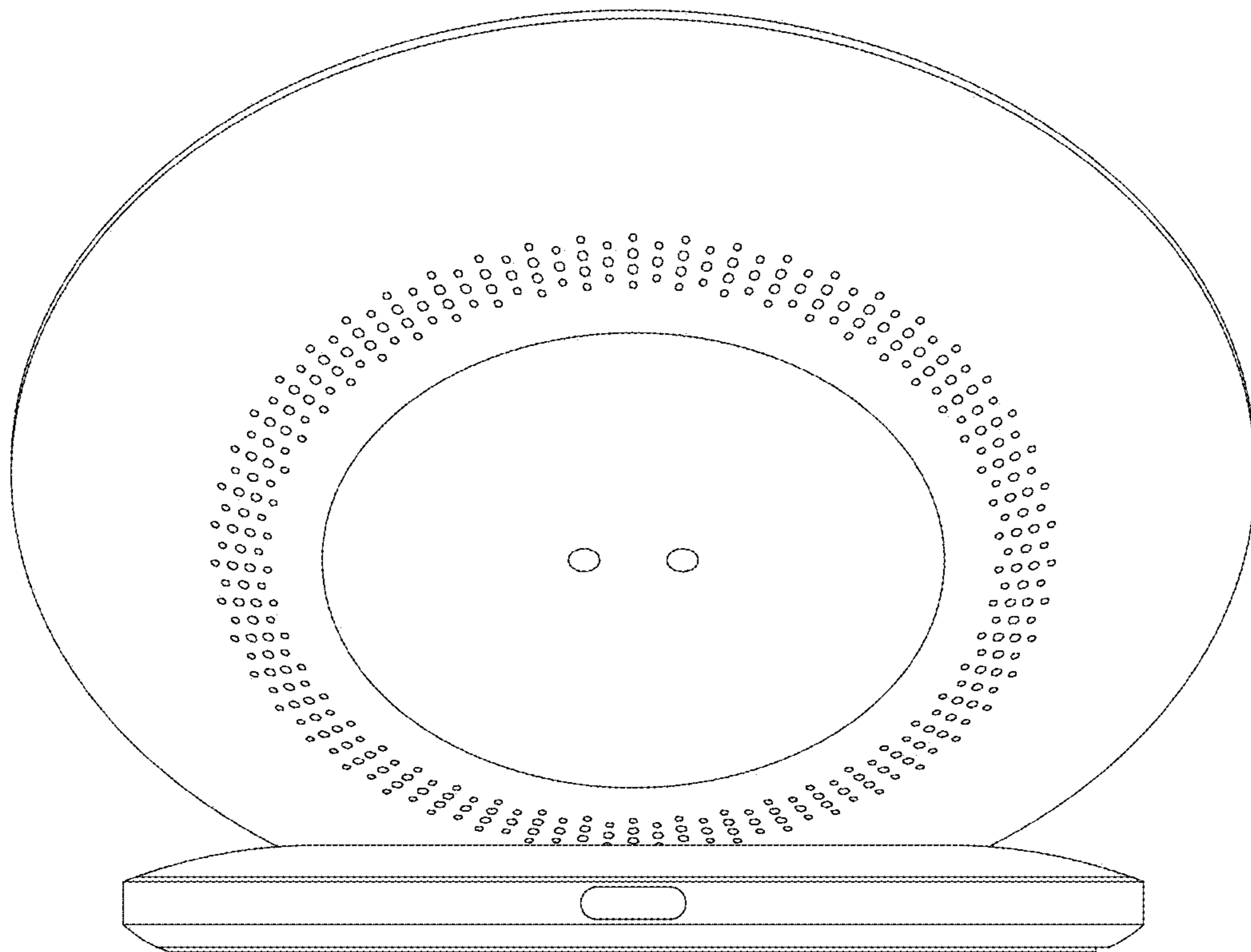


Fig. 11

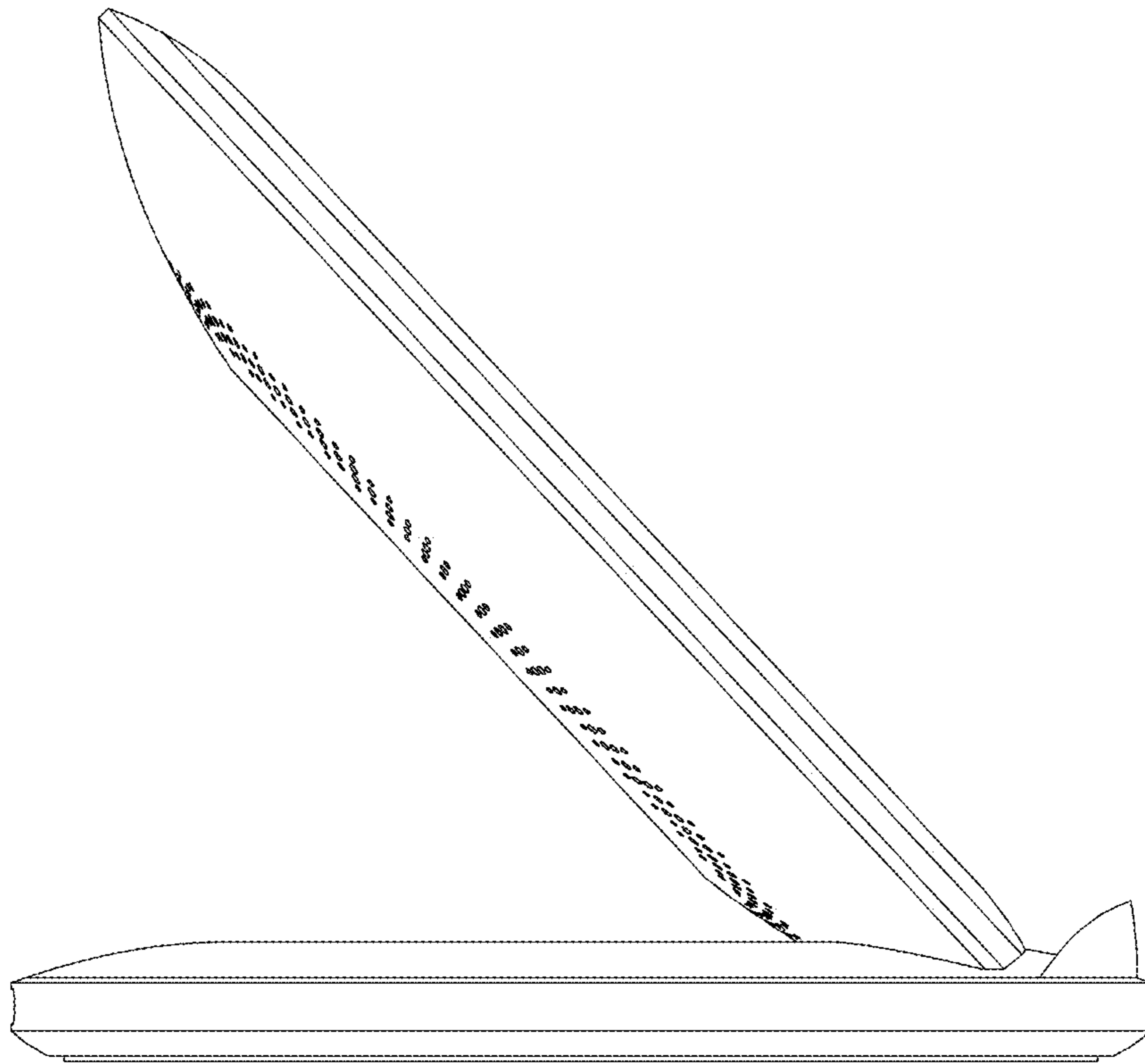


Fig. 12

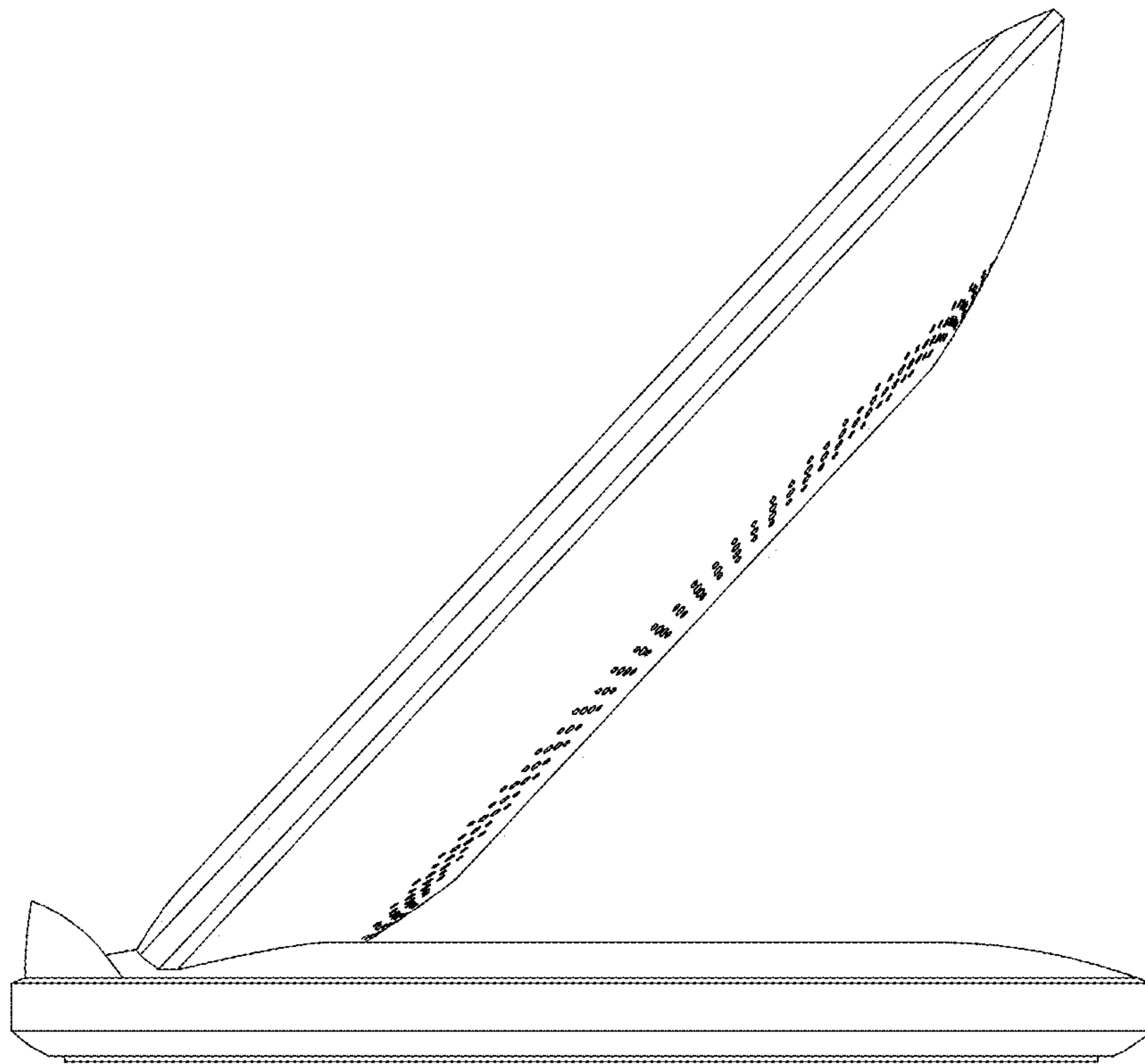


Fig. 13

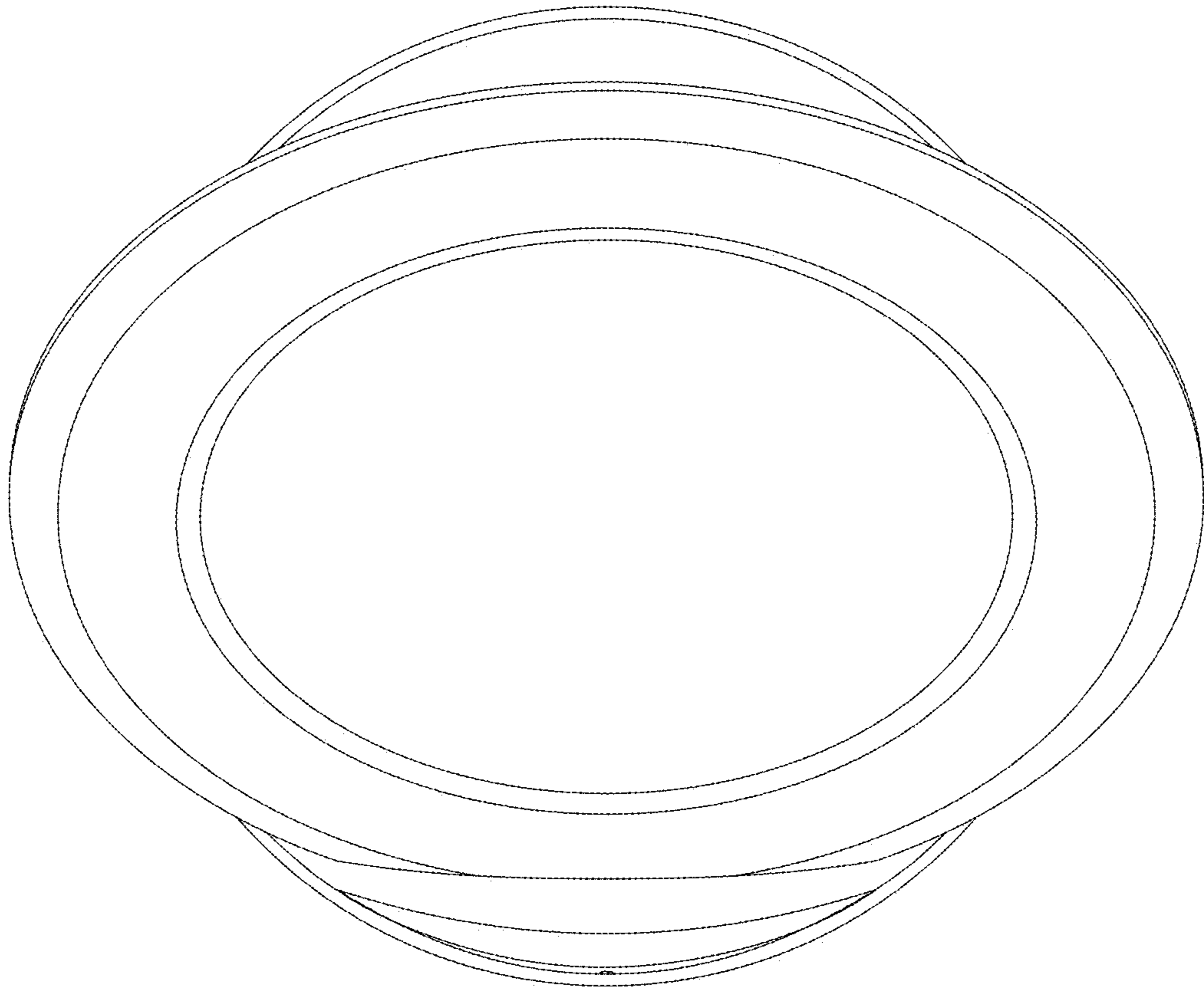


Fig. 14

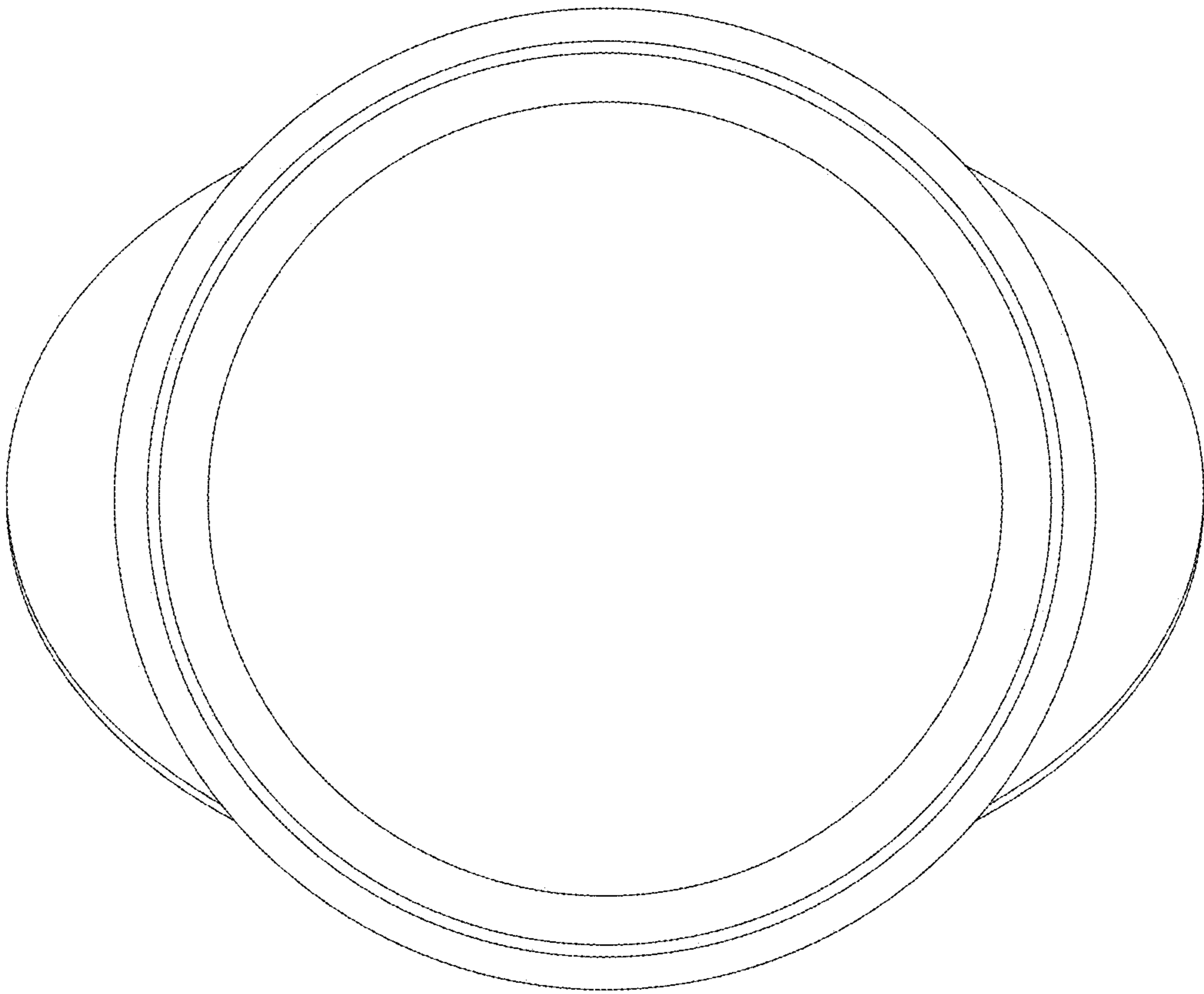


Fig. 15

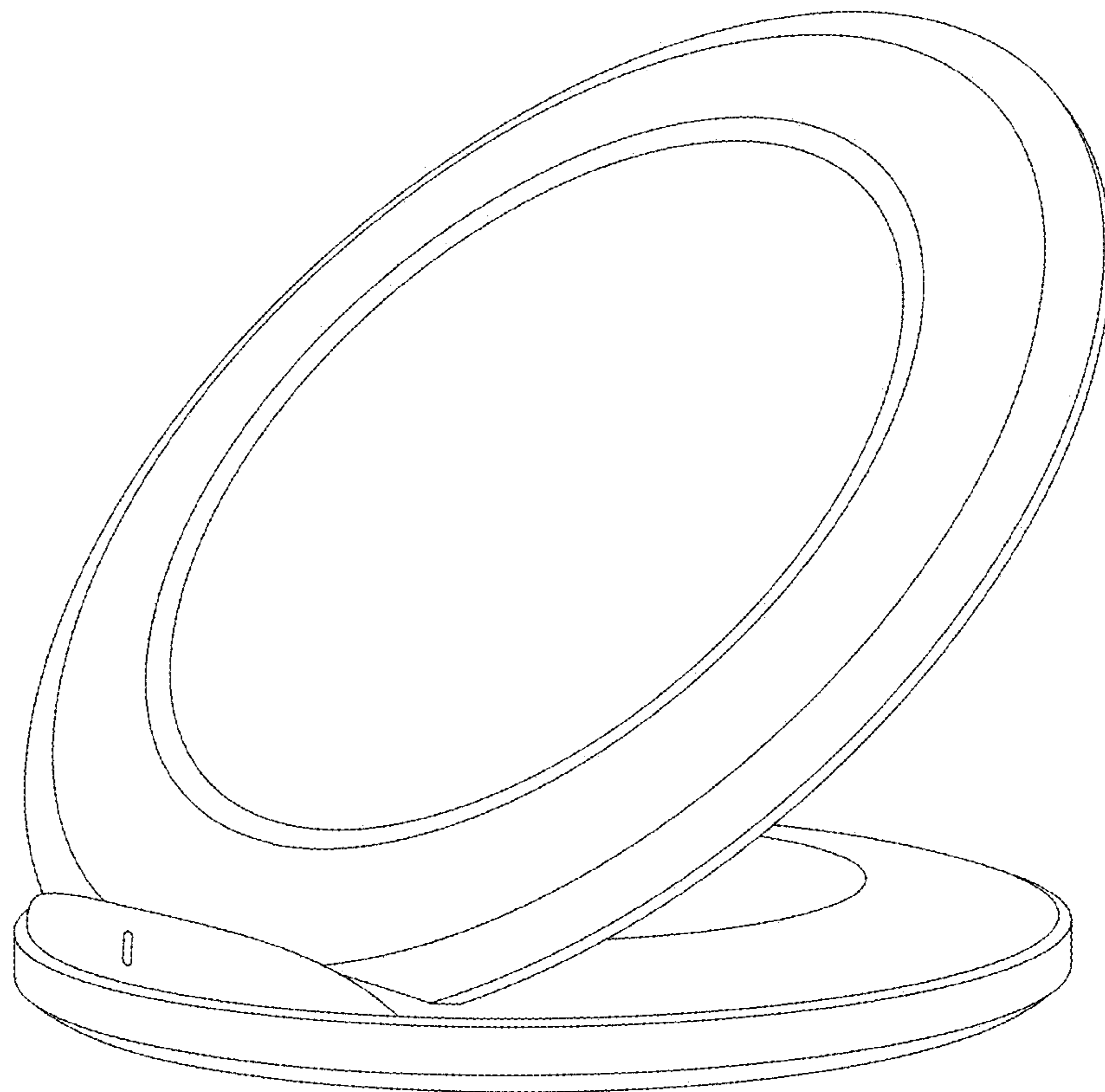


Fig. 16

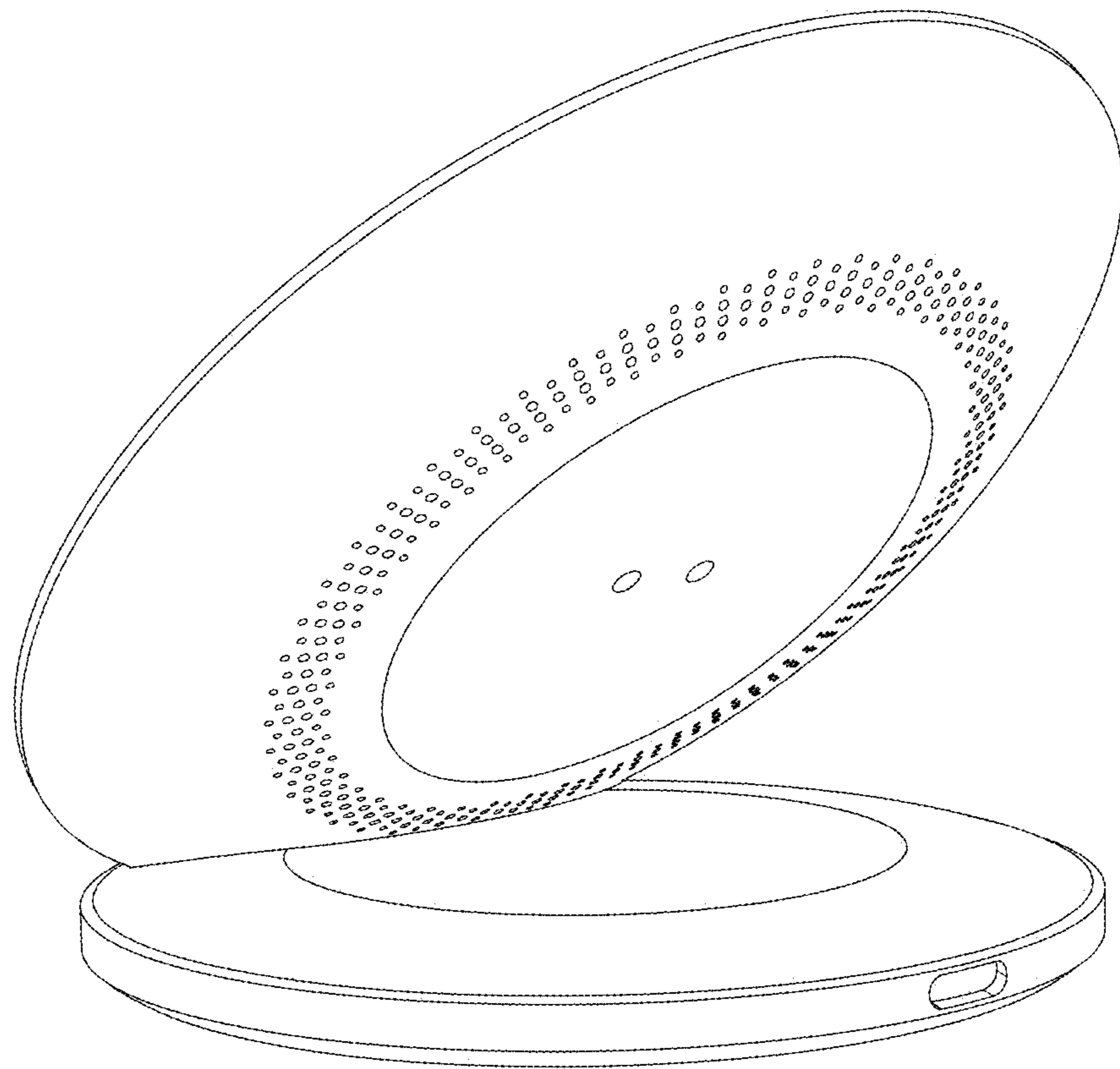


Fig. 17

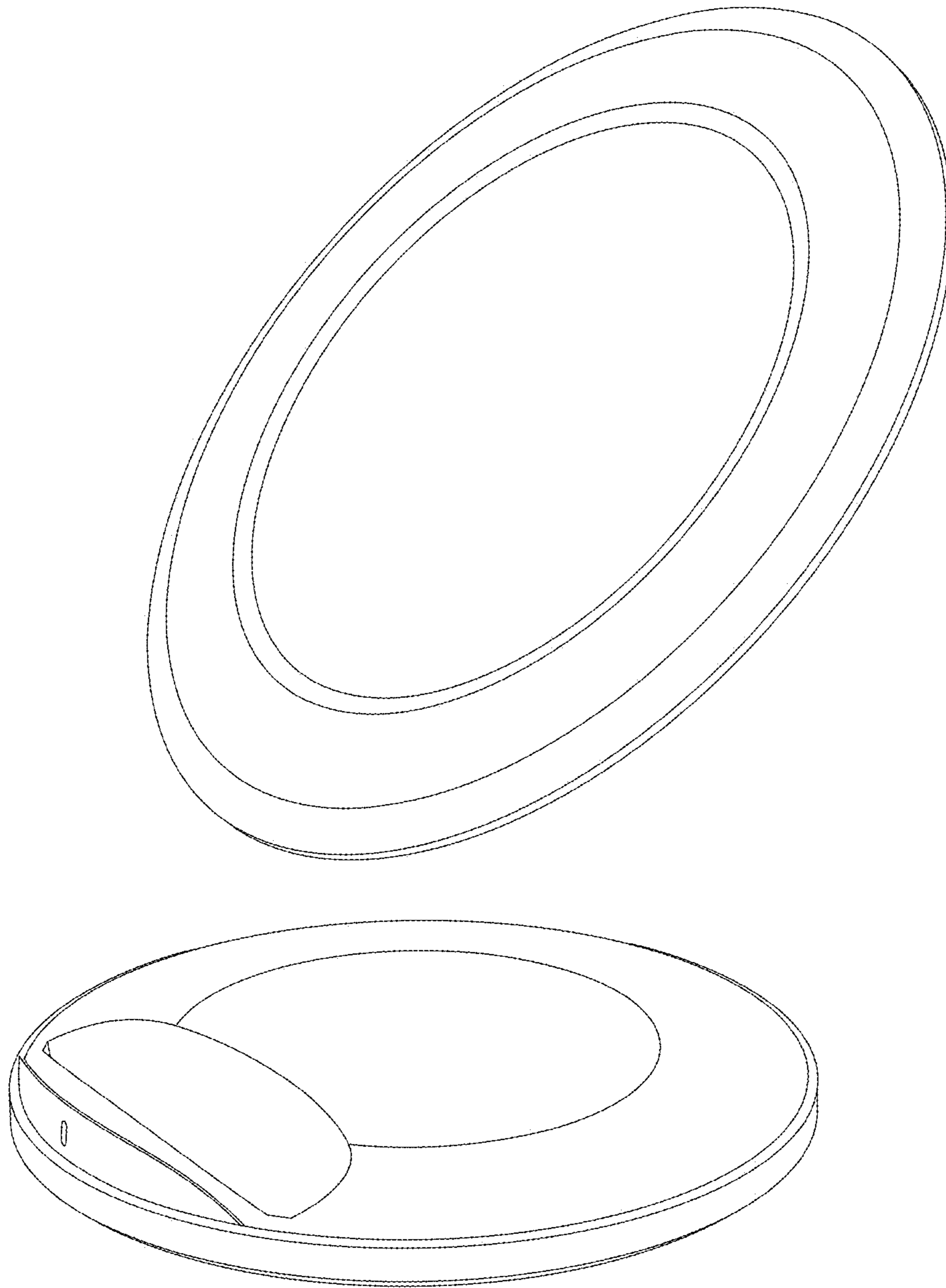


Fig. 18