



US00D984369S

(12) **United States Design Patent**
Herrmann

(10) **Patent No.:** **US D984,369 S**
(45) **Date of Patent:** **** Apr. 25, 2023**

(54) **BATTERY**

(71) Applicant: **Glatz AG**, Frauenfeld (CH)

(72) Inventor: **Denis Herrmann**, Winterthur (CH)

(**) Term: **15 Years**

(21) Appl. No.: **35/513,917**

(22) Filed: **Sep. 28, 2021**

(80) **Hague Agreement Data**

Int. Filing Date: **Sep. 28, 2021**

Int. Reg. No.: **DM/216730**

Int. Reg. Date: **Sep. 28, 2021**

Int. Reg. Pub. Date: **Apr. 1, 2022**

(51) **LOC (14) Cl.** **13-02**

(52) **U.S. Cl.**

USPC **D13/103**

(58) **Field of Classification Search**

USPC D13/103, 107, 108, 110, 118, 119, 184,
D13/199

CPC H02J 7/00; H02J 7/02; H02J 7/025; H02J
7/0042; H02J 7/0044; H02J 7/0045; H02J
7/0003; H02J 7/0013; H01R 13/52; H01R
13/6675; H01M 10/44; H01M 10/46;
H01M 10/465; H01M 10/482

See application file for complete search history.

(56) **References Cited**

U.S. PATENT DOCUMENTS

D568,240 S * 5/2008 Haydvoegel D13/103
D726,106 S * 4/2015 Aber D13/103
D760,643 S * 7/2016 Phillips D13/103
D930,233 S * 9/2021 Liu D27/162
D934,791 S * 11/2021 Sasada D13/103
D960,828 S * 8/2022 Mahdavi D27/162

D967,754 S * 10/2022 Li D13/103
D967,758 S * 10/2022 Rehbock D13/103
D967,759 S * 10/2022 Wang D13/103
2006/0201558 A1 * 9/2006 Marty E03C 1/055
137/613

FOREIGN PATENT DOCUMENTS

CN 307580460 * 10/2022
WO WOD216730-001 * 4/2022

OTHER PUBLICATIONS

“Square parasol Fortello® LED”, first accessed Dec. 6, 2022.
ArchiEXPO.com [https://www.archiexpo.com/prod/glatz-ag/product-
51250-1665261.html] (Year: 2022).*

* cited by examiner

Primary Examiner — Rosemary K Tarcza

Assistant Examiner — Seth David Kumpf

(57) **CLAIM**

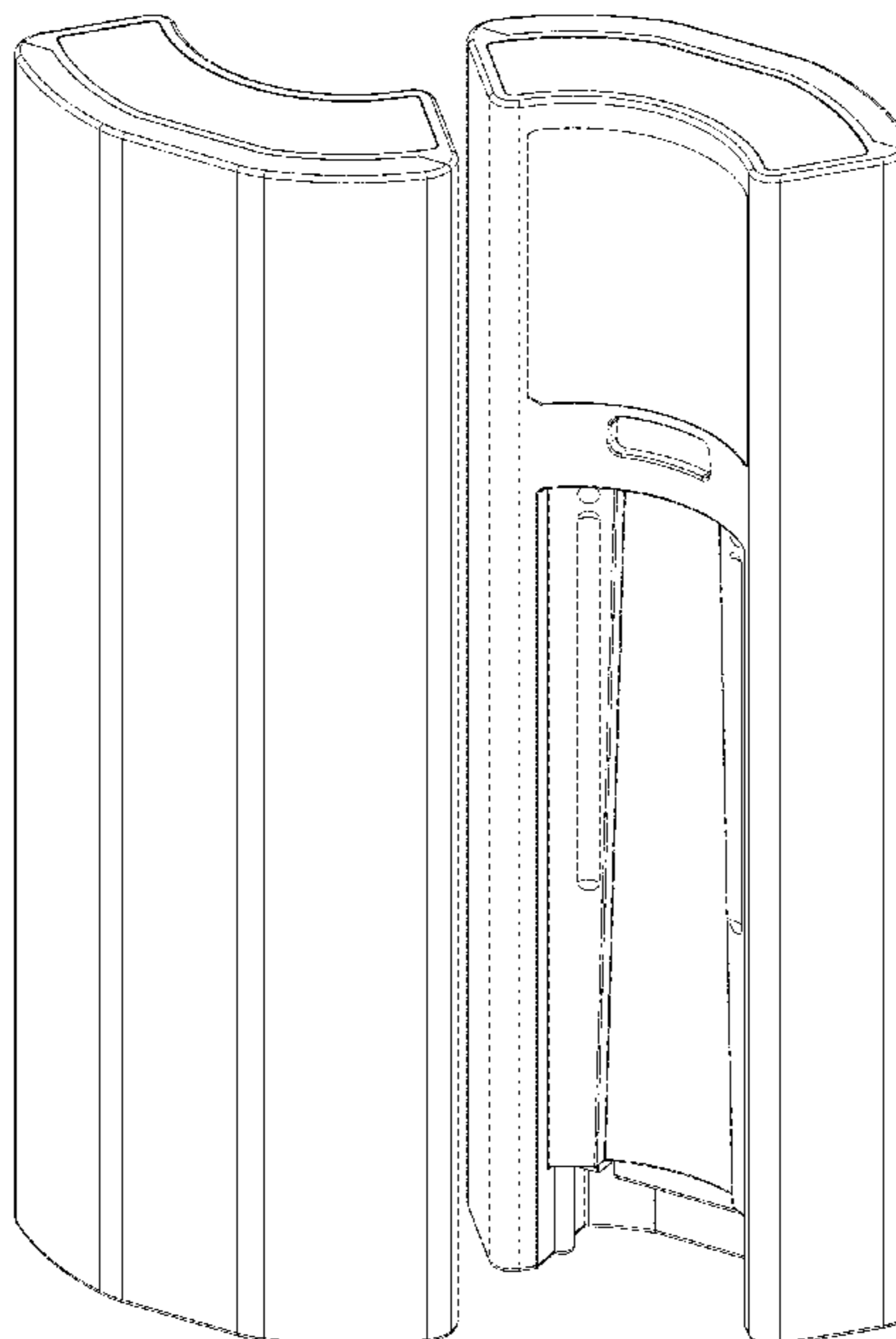
The ornamental design for a battery, as shown and described.

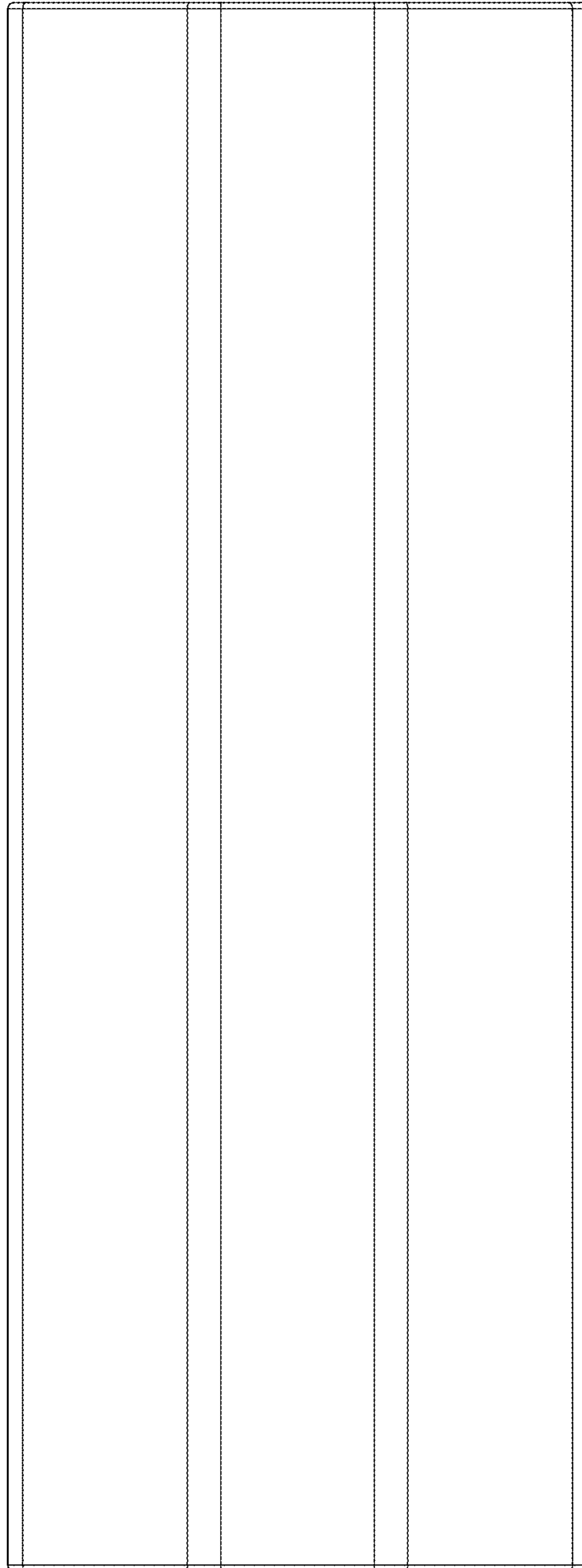
DESCRIPTION

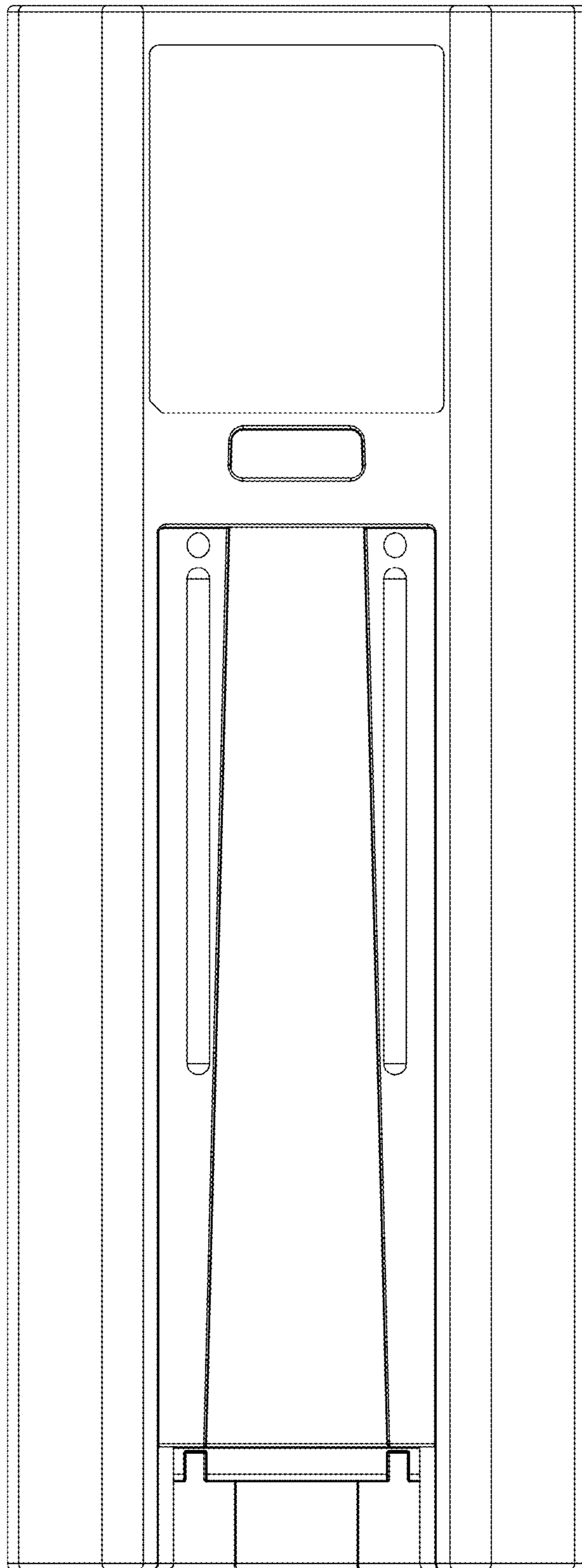
1.1 is a front view of a battery showing the new design;
1.2 is a back view thereof;
1.3 is a left side view thereof;
1.4 is a right side view thereof;
1.5 is a top view thereof;
1.6 is a bottom view thereof;
1.7 is a perspective view thereof; and
1.8 is a further perspective view thereof.

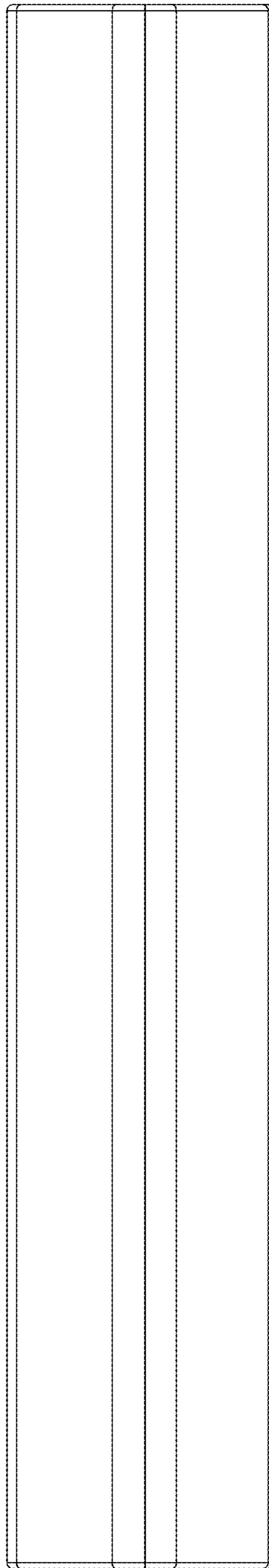
The broken lines in reproduction **1.6** are for the purpose of illustrating portions of the battery that form no part of the claimed design.

1 Claim, 7 Drawing Sheets

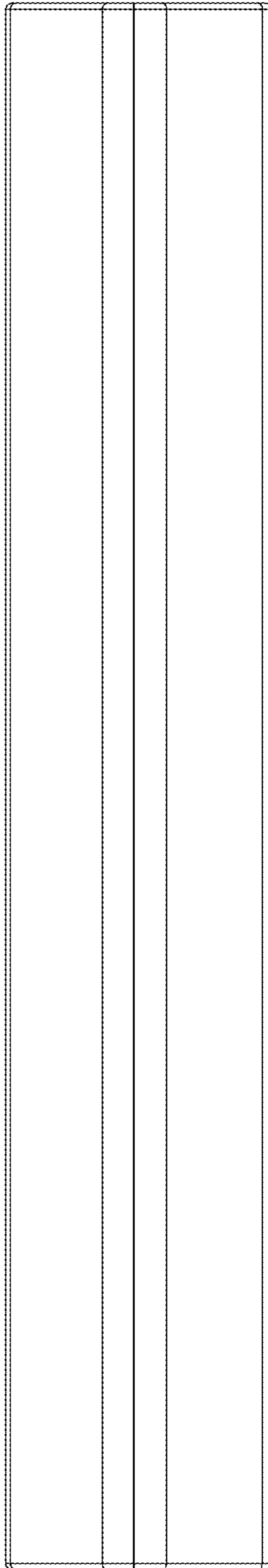




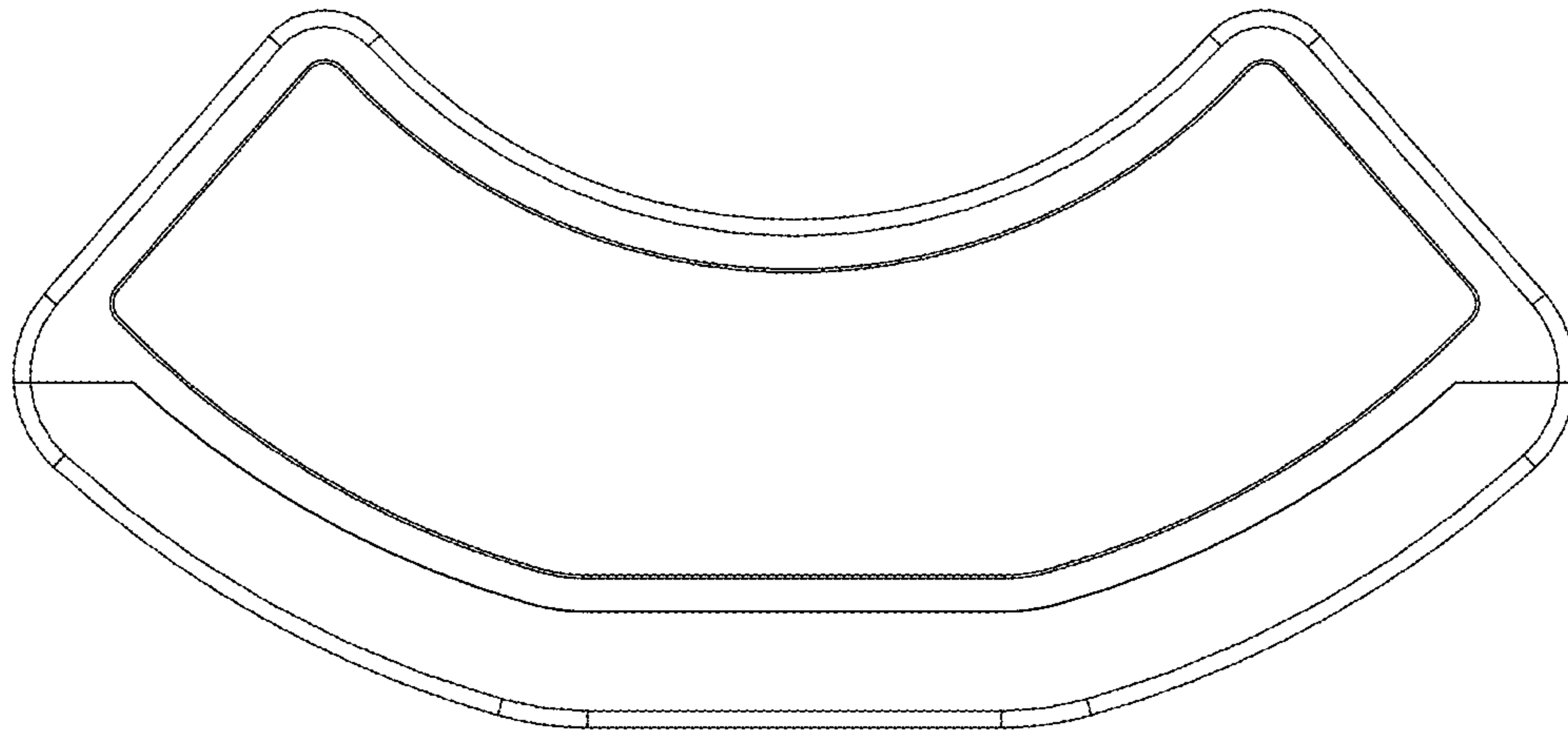




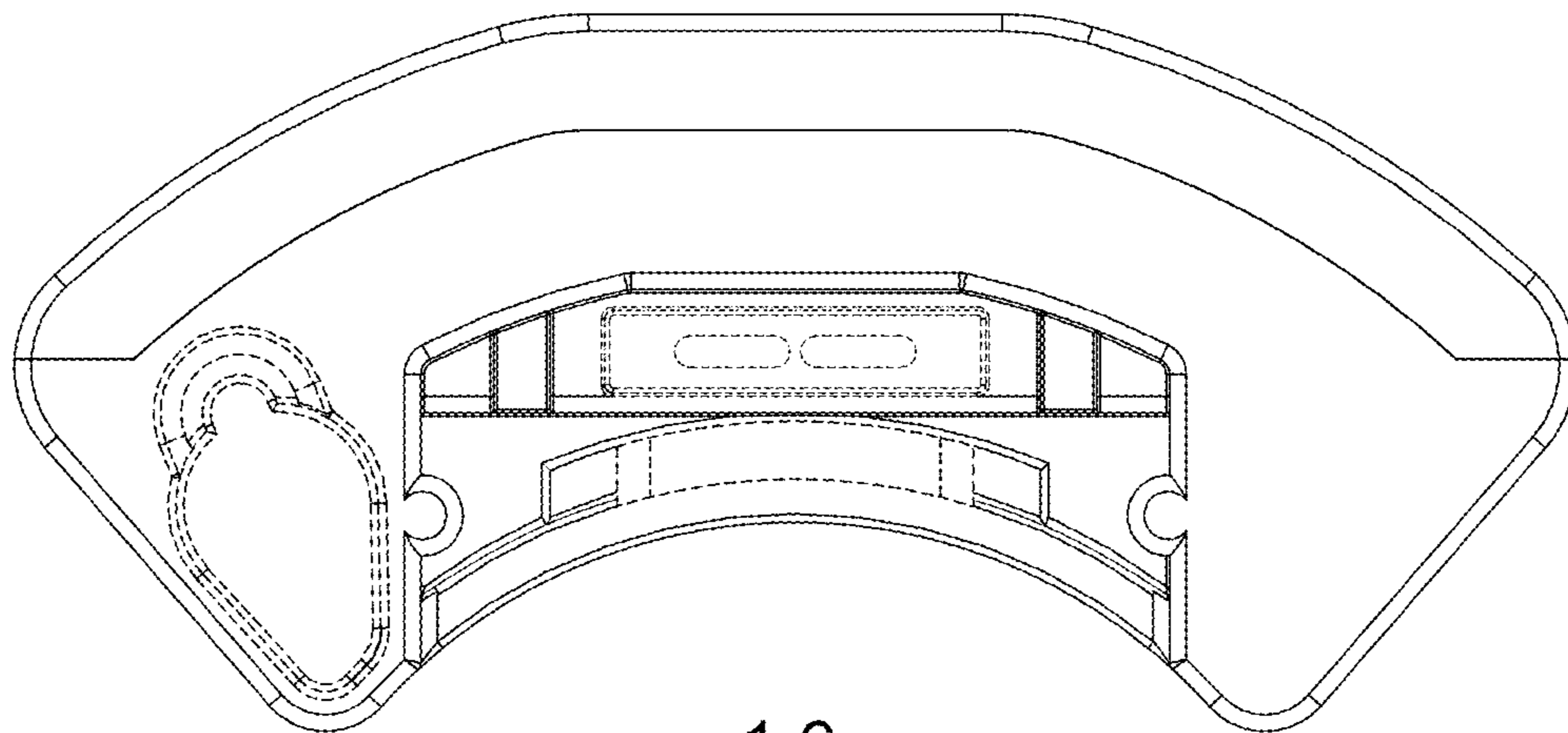
1.3



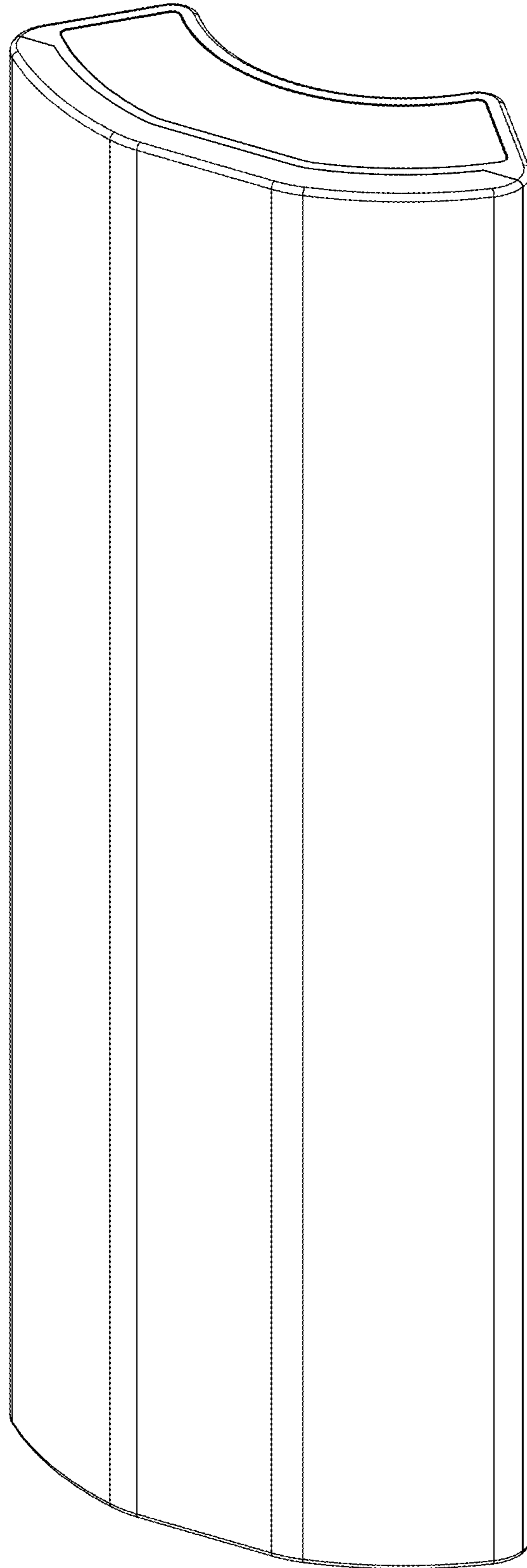
1.4



1.5



1.6



1.7

