



US00D984361S

(12) **United States Design Patent** (10) **Patent No.:** **US D984,361 S**
Jacobs (45) **Date of Patent:** **** Apr. 25, 2023**

(54) **TIRE**
(71) Applicant: **COOPER TIRE & RUBBER COMPANY**, Findlay, OH (US)
(72) Inventor: **Jeremy J. Jacobs**, Findlay, OH (US)
(73) Assignee: **The Goodyear Tire & Rubber Company**, Akron, OH (US)
(**) Term: **15 Years**

D739,339 S 9/2015 Nomura et al.
D753,584 S 4/2016 Mathis
D758,295 S * 6/2016 Oji D12/601
D769,793 S 10/2016 Haanketo et al.
D776,602 S 1/2017 Lucas

(Continued)

Primary Examiner — Garth Rademaker
Assistant Examiner — Joseph Thomas Hays
(74) *Attorney, Agent, or Firm* — June E. Rickey

(21) Appl. No.: **29/784,612**

(57) **CLAIM**

The ornamental design for a tire, as shown and described.

(22) Filed: **May 20, 2021**

DESCRIPTION

(51) **LOC (14) Cl.** **12-15**

(52) **U.S. Cl.**
USPC **D12/518**; D12/521

(58) **Field of Classification Search**
USPC D12/505, 515–533, 546–568, 581–603
CPC Y10T 152/10027; Y10T 152/0504; Y10T 152/10; B60C 11/0016; B60C 11/03–0339; B60C 11/04–047; B60C 11/11; B60C 11/12; B60C 11/1204–1281; B60C 11/13–1392; B60C 2011/0313–04; B60C 2011/1209–1295; B60C 2011/133–1361; B60C 3/06; B60C 9/17
See application file for complete search history.

FIG. 1 is a perspective view of a tire taken generally from the front and a first side of the tire;
FIG. 2 is a front view thereof;
FIG. 3 is a side view of the first side thereof;
FIG. 4 is an enlarged partial, perspective view taken generally from the front and the first side thereof;
FIG. 5 is an enlarged, partial front view thereof;
FIG. 6 is an enlarged, partial side view of the first side thereof;
FIG. 7 is a perspective view of a tire taken generally from the front and a second side of the tire;
FIG. 8 is a side view of the second side thereof;
FIG. 9 is an enlarged partial, perspective view taken generally from the front and the second side thereof; and,
FIG. 10 is an enlarged, partial side view of the second side thereof.

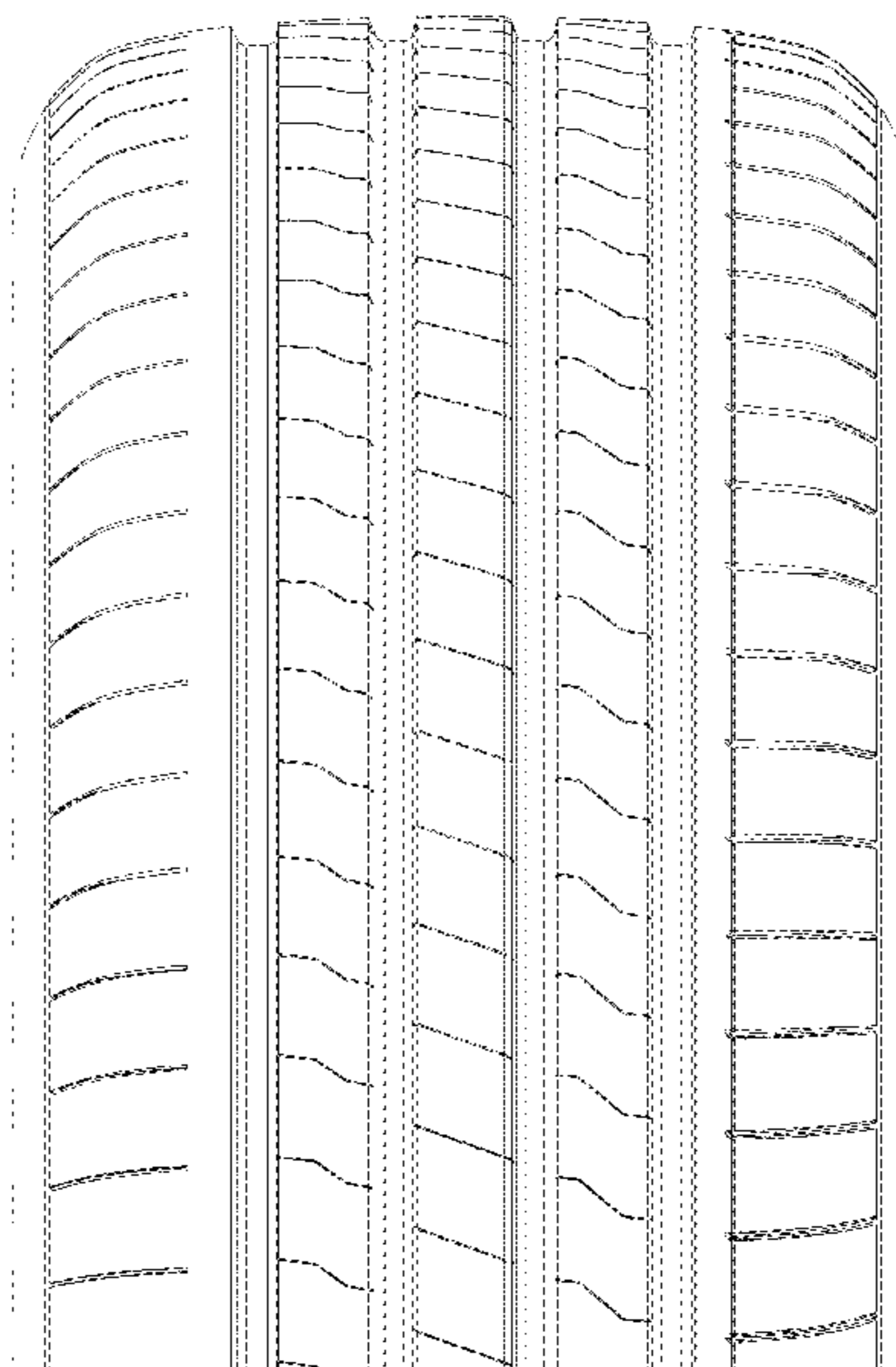
(56) **References Cited**

U.S. PATENT DOCUMENTS

D555,081 S 11/2007 Feider et al.
D585,361 S 1/2009 Ho
D586,723 S * 2/2009 Heinen D12/517
D631,001 S * 1/2011 Hughes D12/601
D651,553 S 1/2012 Knowles
D659,084 S * 5/2012 Graas D12/590
D665,728 S * 8/2012 Kiwaki D12/524
D707,619 S 6/2014 Fu
D708,564 S 7/2014 Wang
D709,434 S 7/2014 Kato

The broken lines and the regions between the broken lines defining the inner beads and the first sidewall and the second sidewall depict subject matter that forms no part of the claimed tire design, and are included for the purpose of illustrating the full tire. Likewise, the tire interior forms no part of the claim. The tread pattern is understood to repeat throughout the circumference of the tire.

1 Claim, 10 Drawing Sheets



(56)

References Cited

U.S. PATENT DOCUMENTS

D777,093 S * 1/2017 Tsukamoto D12/585
 D779,420 S 2/2017 Krier et al.
 D780,090 S 2/2017 Liu
 D781,213 S * 3/2017 Harris D12/523
 D784,910 S 4/2017 Hayashi
 D786,775 S 5/2017 Hayashi
 D789,284 S * 6/2017 Krier D12/588
 D802,521 S 11/2017 Bonnamour
 D805,022 S 12/2017 Bonnamour
 D806,007 S * 12/2017 Robbins D12/588
 D810,658 S 2/2018 Hayashi
 D815,584 S 4/2018 Hayashi et al.
 D815,585 S 4/2018 Schuessler et al.
 D822,584 S * 7/2018 Kikuchi D12/521
 D831,564 S * 10/2018 Shavers D12/523
 D845,876 S 4/2019 Youn
 D851,025 S * 6/2019 Wang D12/601
 D851,576 S 6/2019 Besset et al.
 D852,125 S * 6/2019 Davis D12/601
 D856,269 S * 8/2019 Hong D12/588

D856,910 S * 8/2019 Mishima D12/588
 D861,577 S 10/2019 Colombo et al.
 D867,264 S 11/2019 Poling et al.
 D867,978 S 11/2019 Davenport
 D874,388 S 2/2020 Wang et al.
 D880,410 S * 4/2020 Yamaoka D12/588
 D883,903 S 5/2020 Horiguchi et al.
 D883,904 S * 5/2020 Matsumoto D12/523
 D886,709 S 6/2020 Wang et al.
 D892,030 S 8/2020 Sabetti et al.
 D894,093 S * 8/2020 Kameda D12/516
 D896,160 S 9/2020 Sullivan
 D935,382 S * 11/2021 Matsumoto D12/523
 D940,642 S * 1/2022 Pribula D12/588
 D956,676 S * 7/2022 Wang D12/588
 D963,557 S * 9/2022 Nakamichi D12/588
 D966,180 S * 10/2022 Min D12/588
 2010/0212792 A1 * 8/2010 Mita B60C 11/033
 152/209.9
 2014/0116589 A1 * 5/2014 Grote B60C 11/1307
 152/209.21
 2018/0361797 A1 * 12/2018 Sato B60C 3/04

* cited by examiner

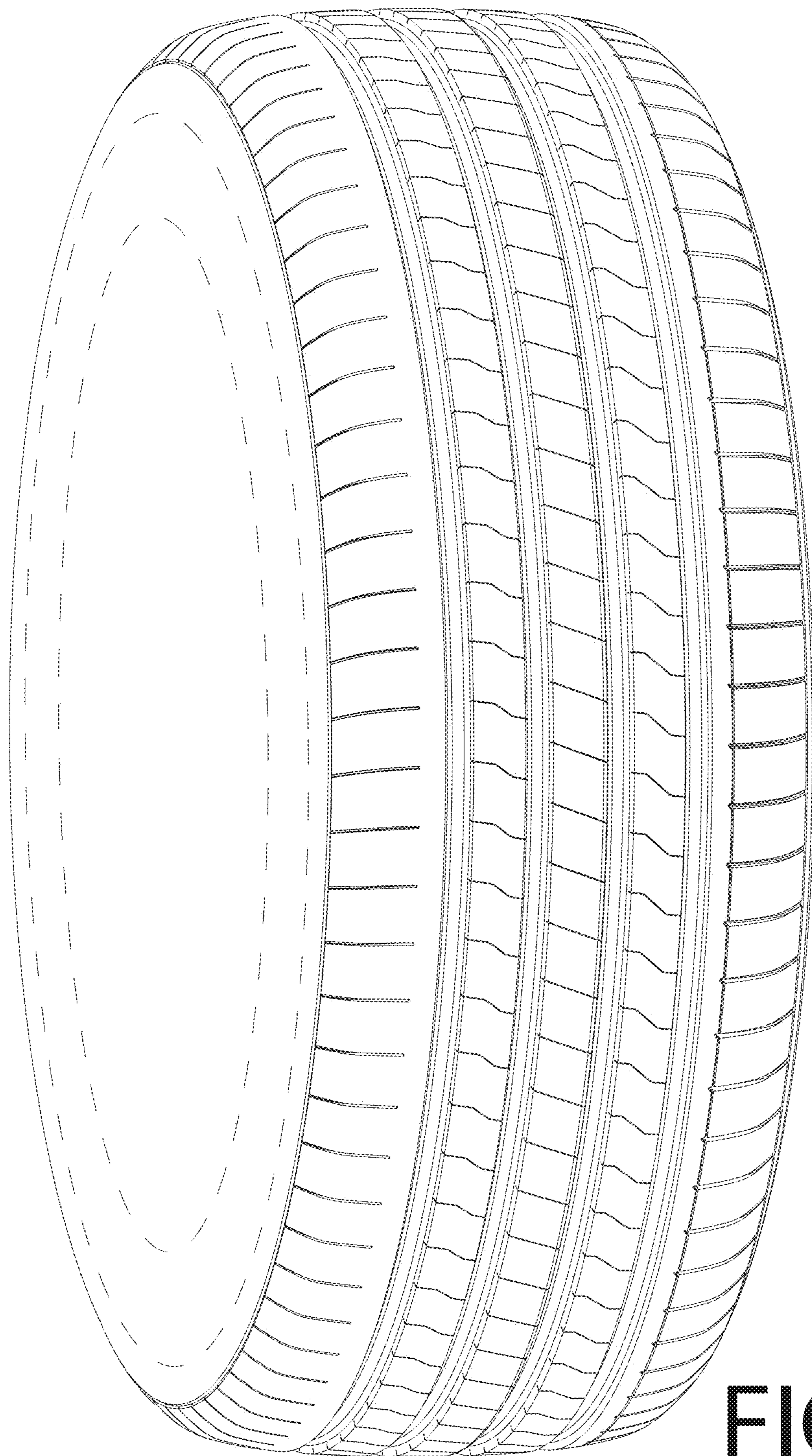


FIG. 1

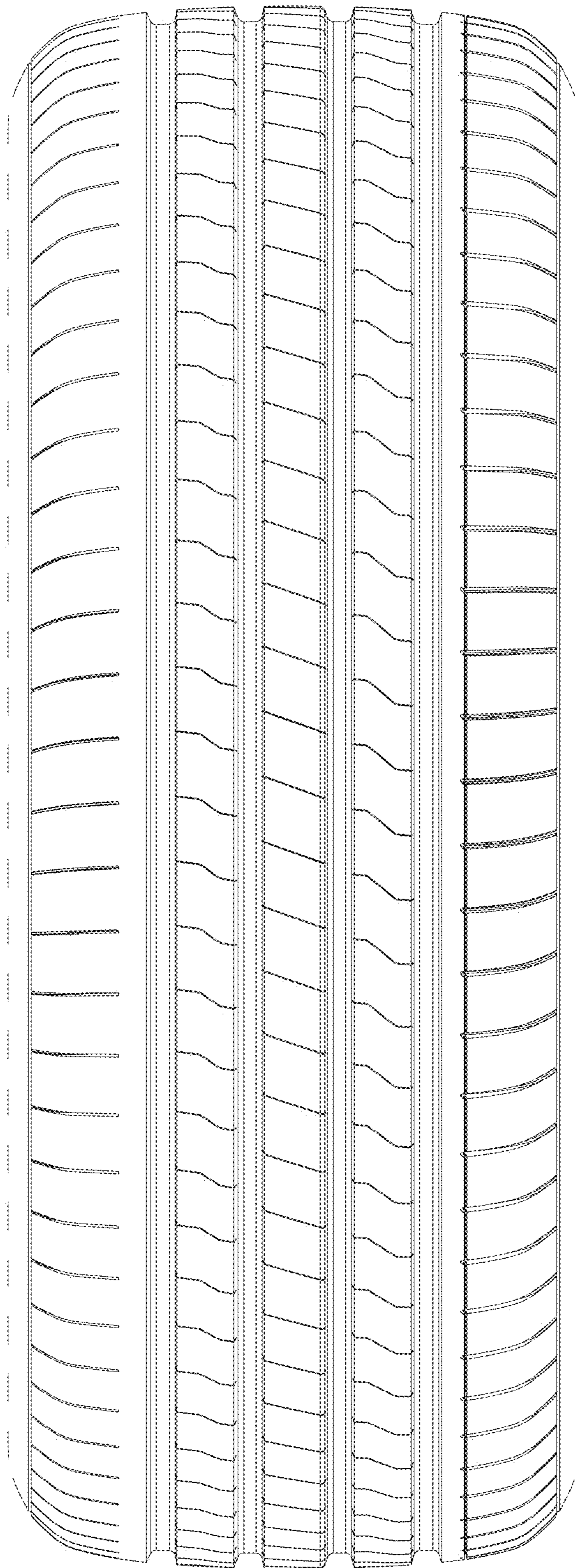


FIG. 2

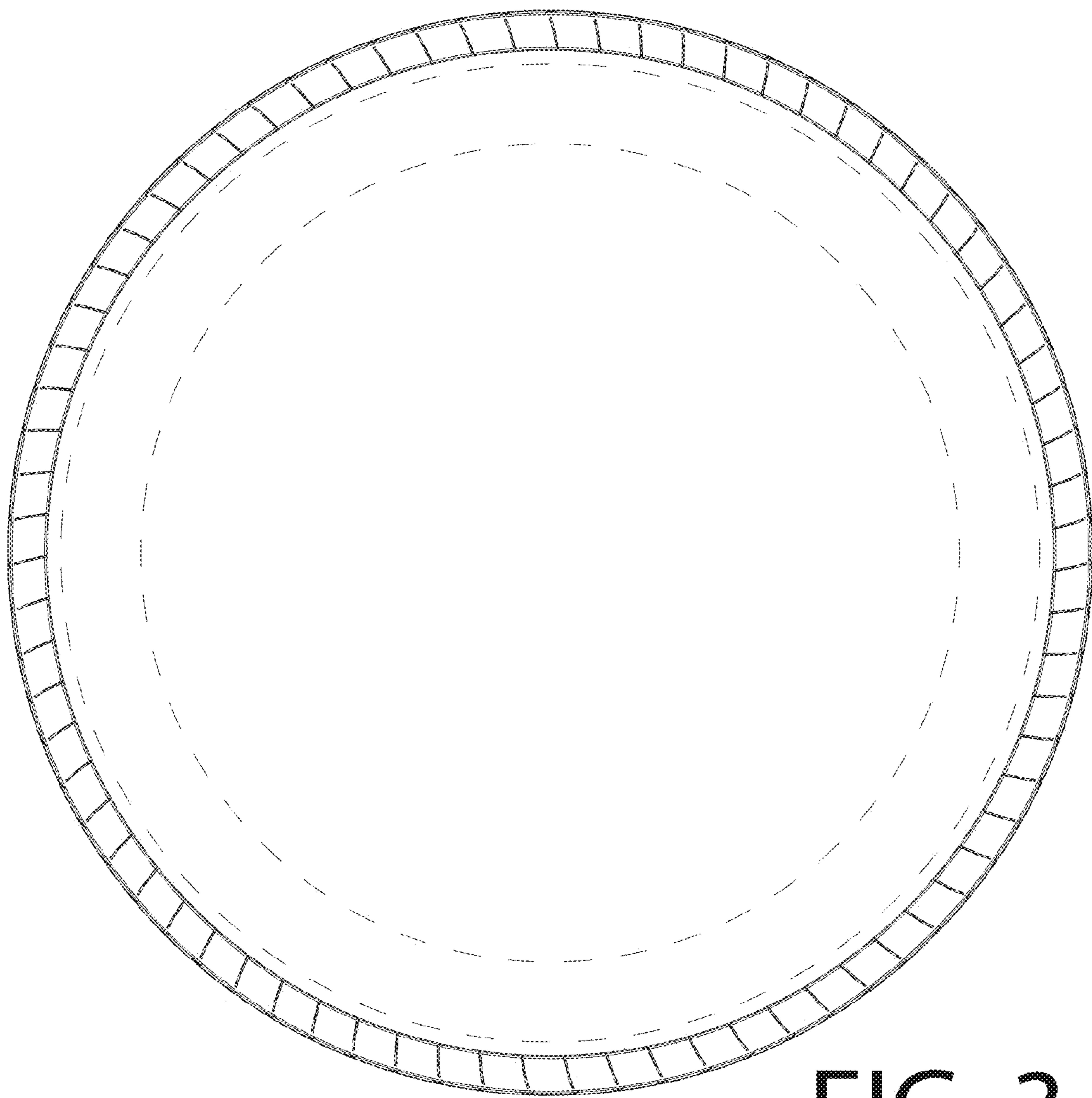


FIG. 3

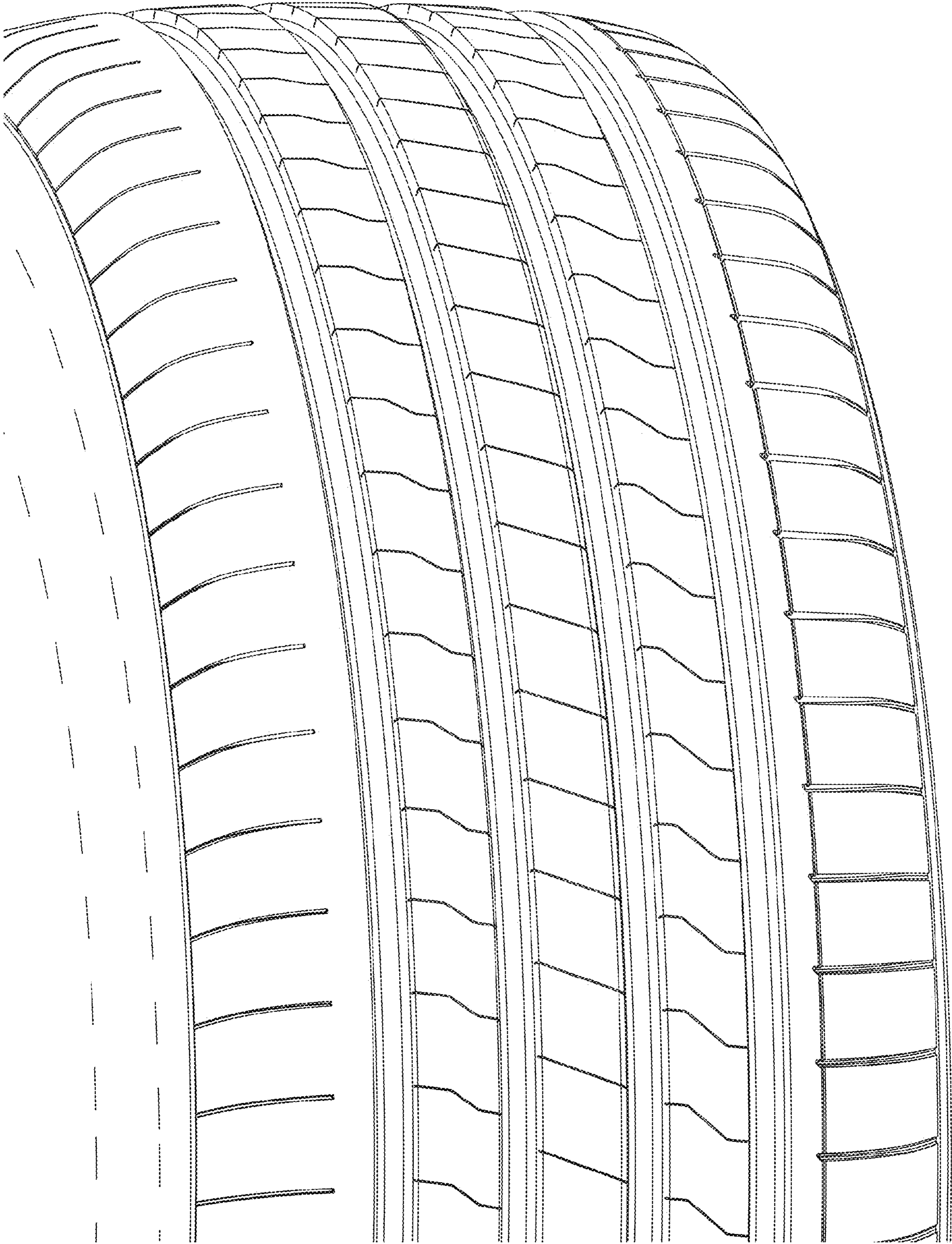


FIG. 4

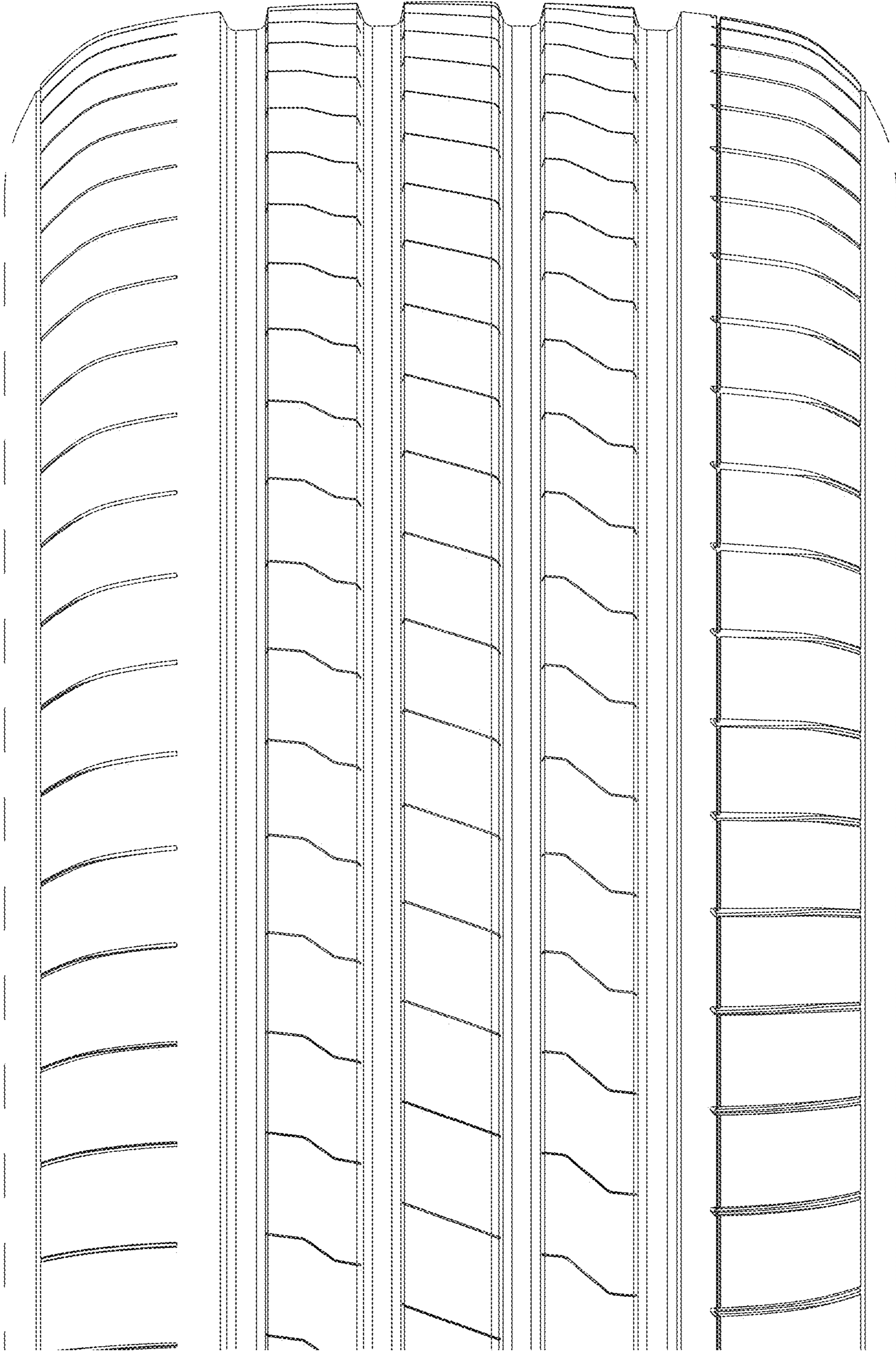


FIG. 5

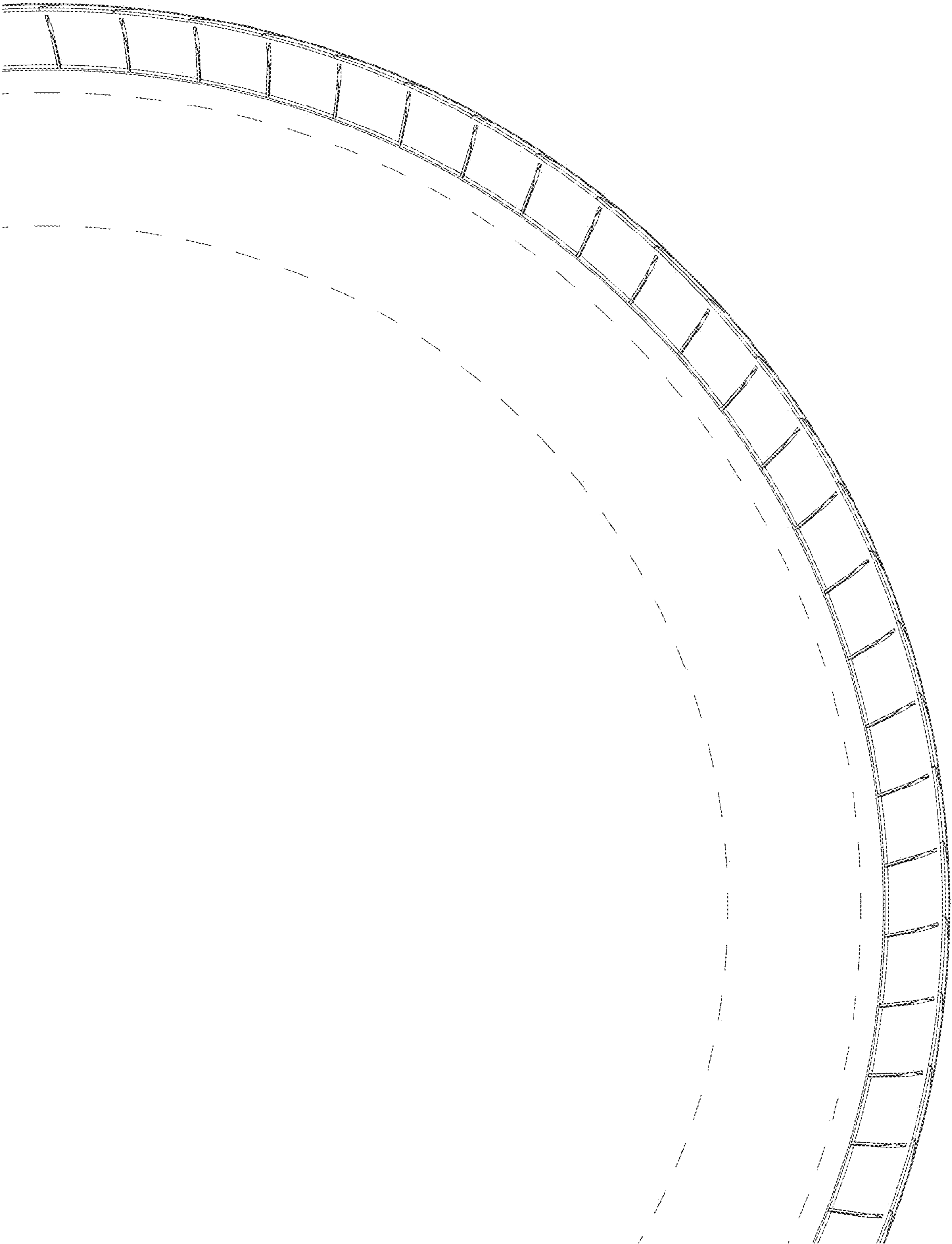


FIG. 6

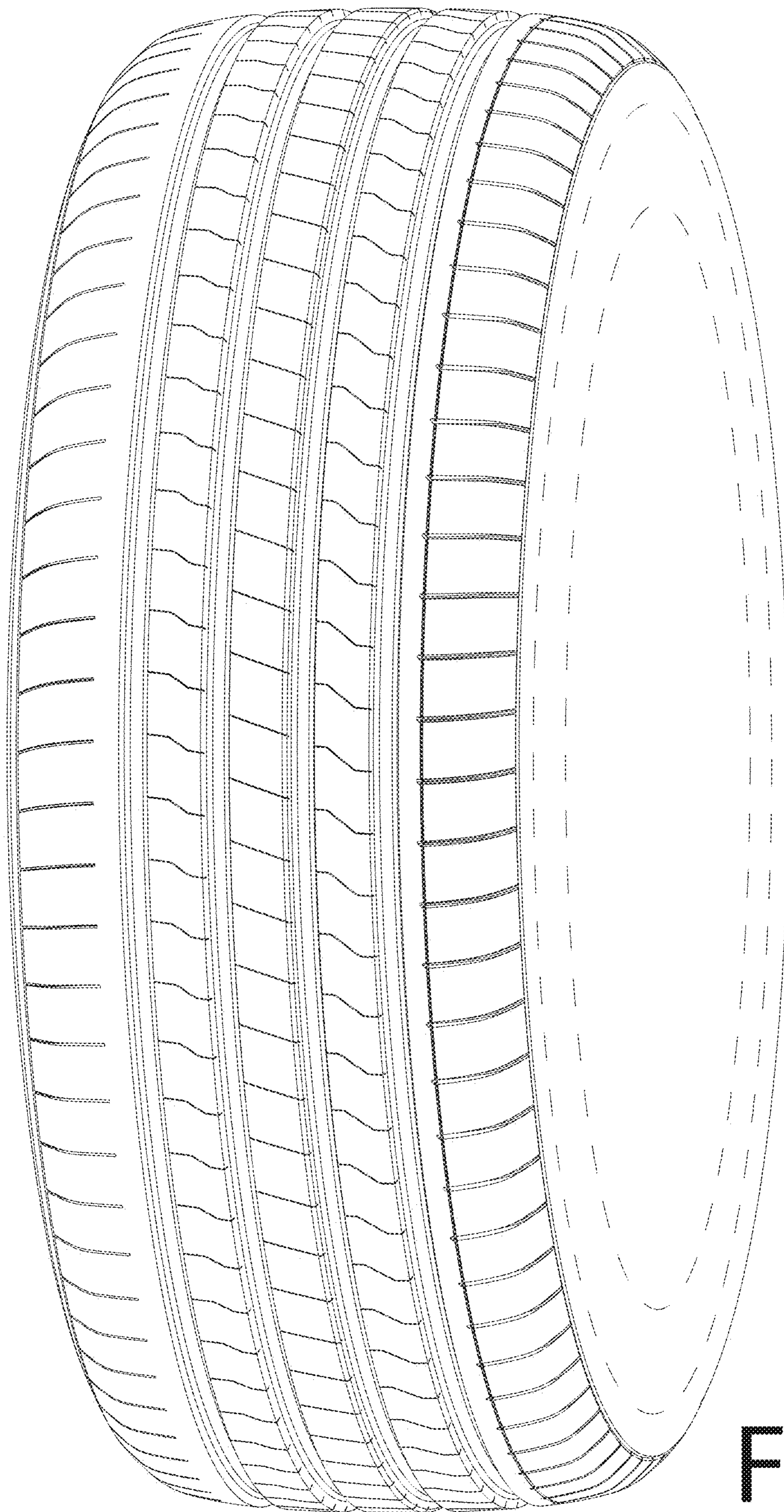


FIG. 7

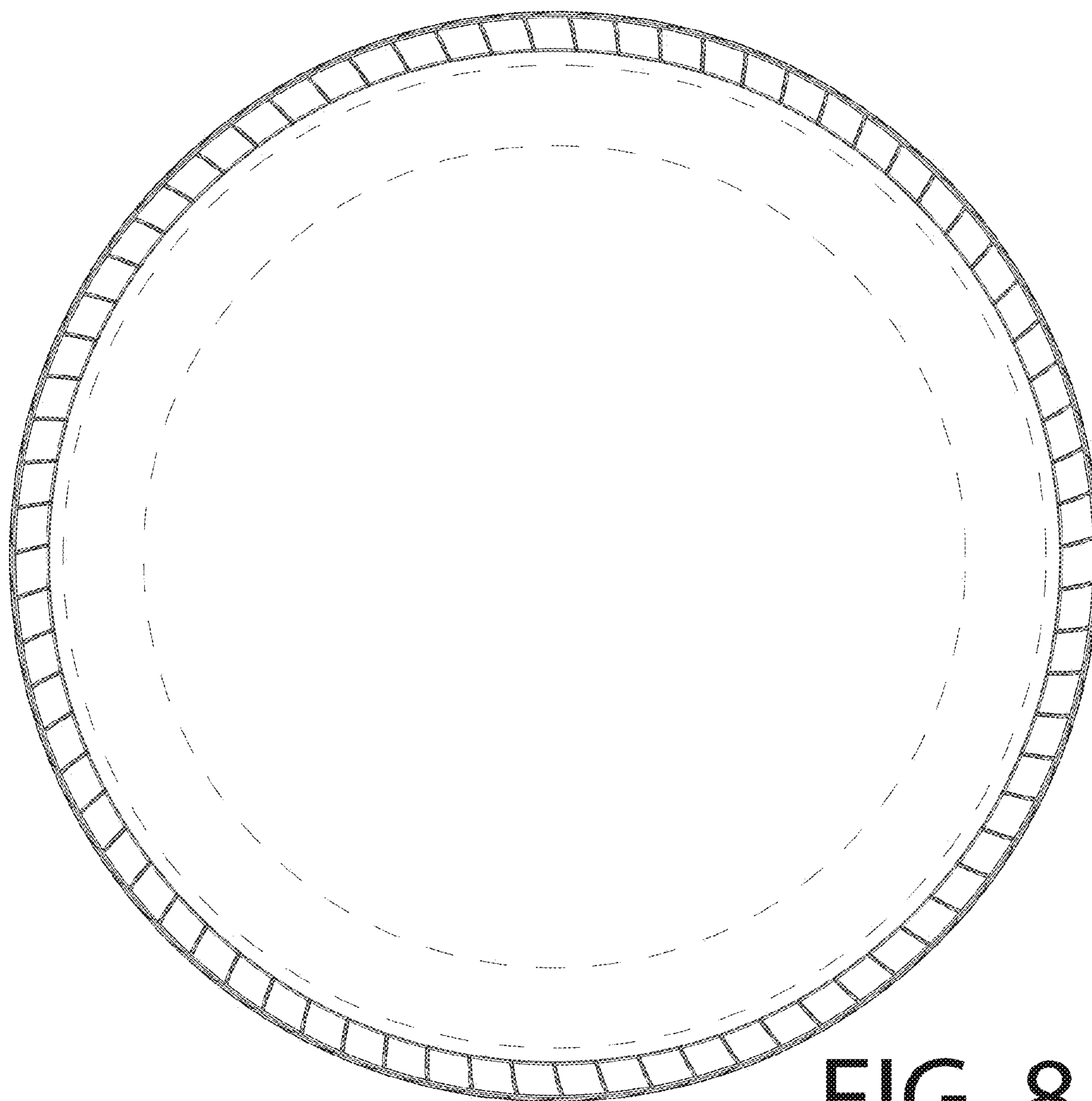


FIG. 8

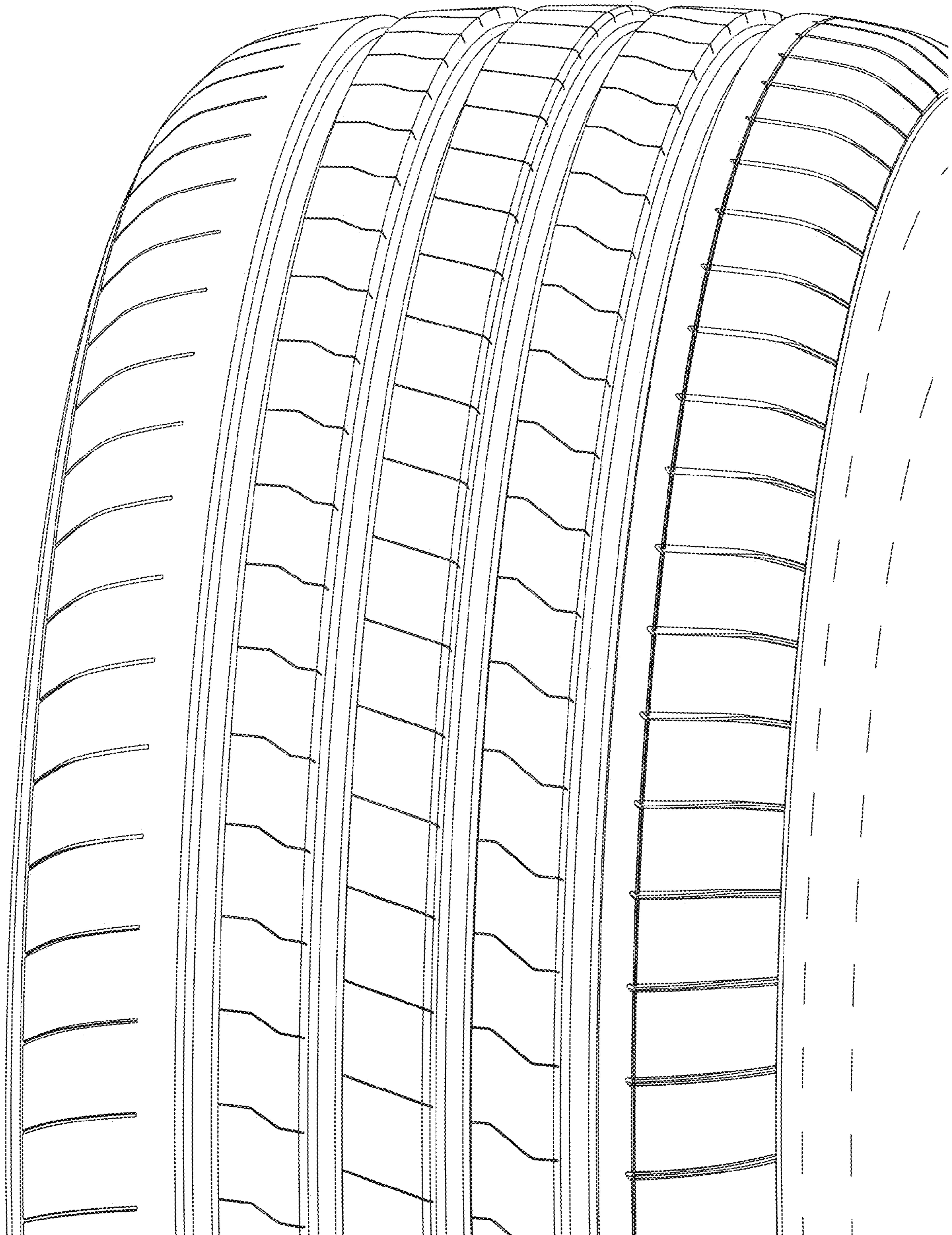


FIG. 9

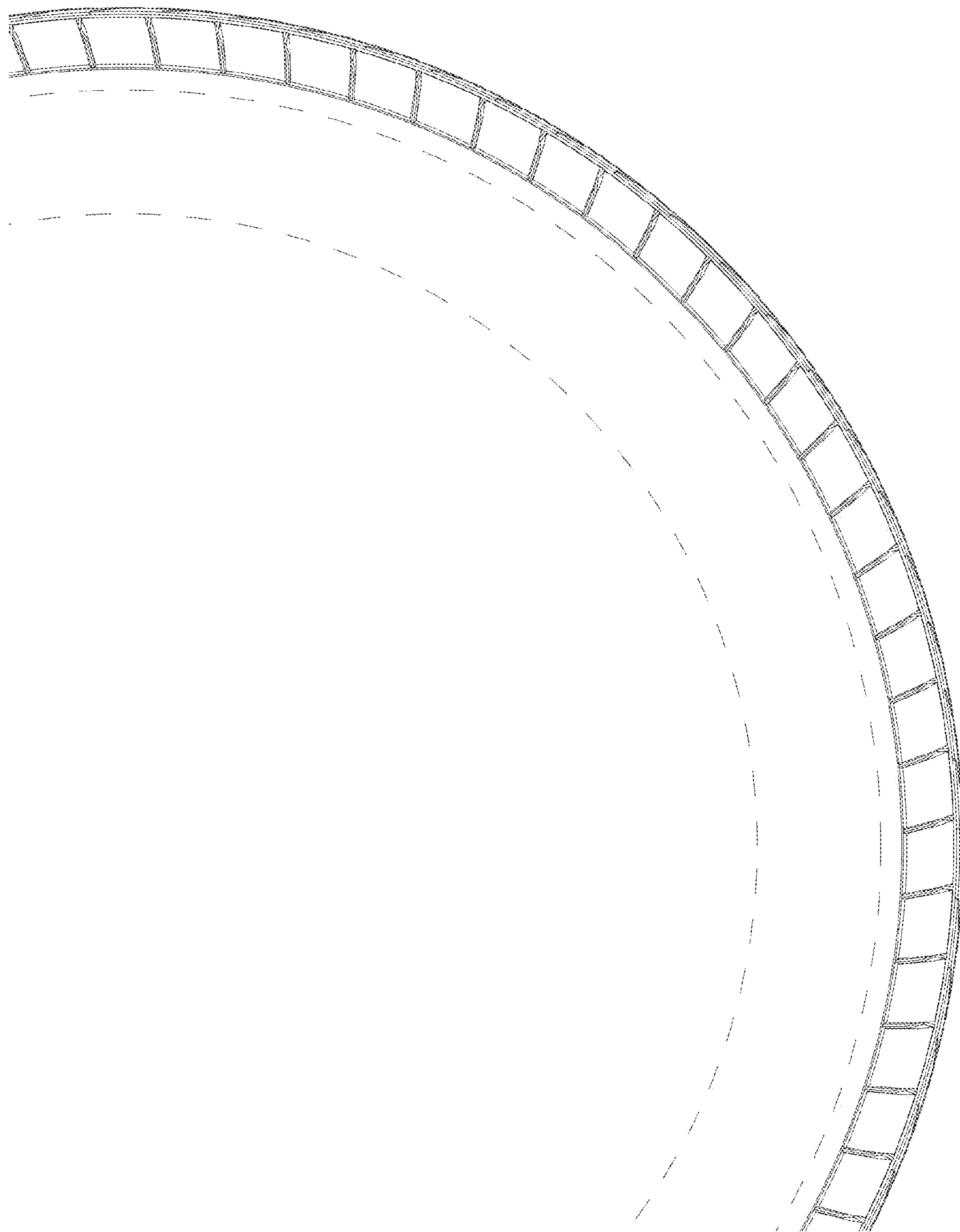


FIG. 10