



US00D984359S

(12) **United States Design Patent** (10) **Patent No.:** **US D984,359 S**
Ecuyer et al. (45) **Date of Patent:** **** Apr. 25, 2023**

(54) **MOTOR VEHICLE INTERIOR**

(71) Applicant: **INEOS Automotive Limited,**
Lyndhurst (GB)

(72) Inventors: **Toby Ecuyer,** Lyndhurst (GB);
Sebastian Ide, Böblingen (DE)

(73) Assignee: **INEOS AUTOMOTIVE LIMITED,**
Lyndhurst (GB)

(**) Term: **15 Years**

(21) Appl. No.: **29/798,174**

(22) Filed: **Jul. 6, 2021**

(51) **LOC (14) Cl.** **12-16**

(52) **U.S. Cl.**
USPC **D12/415**

(58) **Field of Classification Search**
USPC D12/415, 419; D7/620
CPC B60R 13/02; C03C 3/085; B60Q 3/64;
B60Q 3/225; B60N 3/10

See application file for complete search history.

(56) **References Cited**

U.S. PATENT DOCUMENTS

D830,951 S * 10/2018 Karasawa D12/419
D832,187 S * 10/2018 Buffery D12/419

D840,325 S * 2/2019 Sandys D12/415
D876,318 S * 2/2020 Ray D12/415
D877,042 S * 3/2020 Ray D12/415
D880,402 S * 4/2020 Ray D12/415
D890,078 S * 7/2020 Nakao D12/415
D908,073 S * 1/2021 Warner D12/415
D929,932 S * 9/2021 Scott D12/415
D935,980 S * 11/2021 Karakaş D12/415
D940,634 S * 1/2022 Aizawa D12/419
D941,229 S * 1/2022 Ernstsson D12/419
D955,314 S * 6/2022 Hirose D12/192

* cited by examiner

Primary Examiner — Katrina A Betton

(74) *Attorney, Agent, or Firm* — Fross, Zelnick, Lehrman
& Zissu PC; Charles T. J. Weigell, Esq.

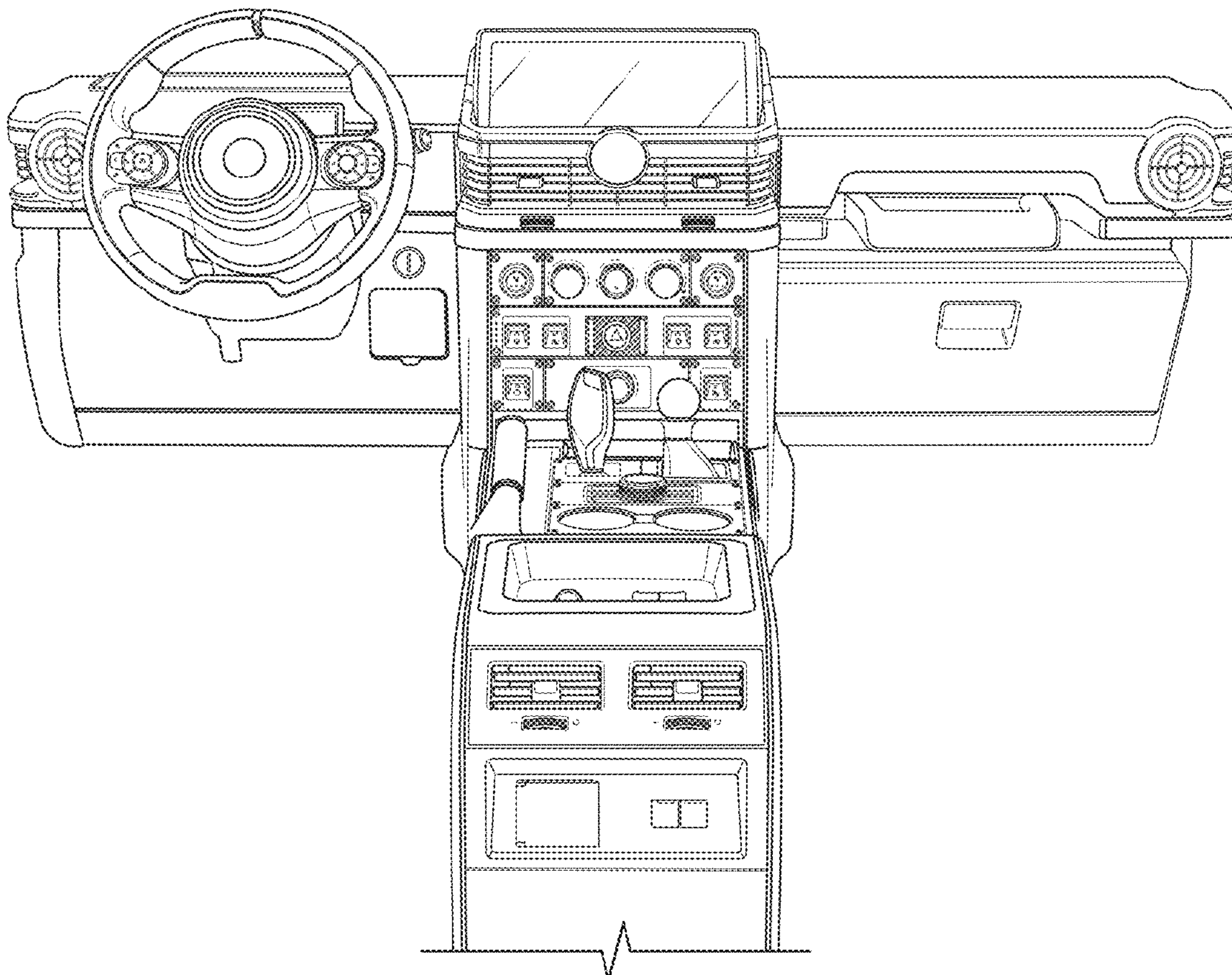
(57) **CLAIM**

The ornamental design for a motor vehicle interior, as shown
and described.

DESCRIPTION

FIG. 1 is a perspective view of the motor vehicle interior
showing our new design; and,
FIG. 2 is a front view thereof.

1 Claim, 2 Drawing Sheets



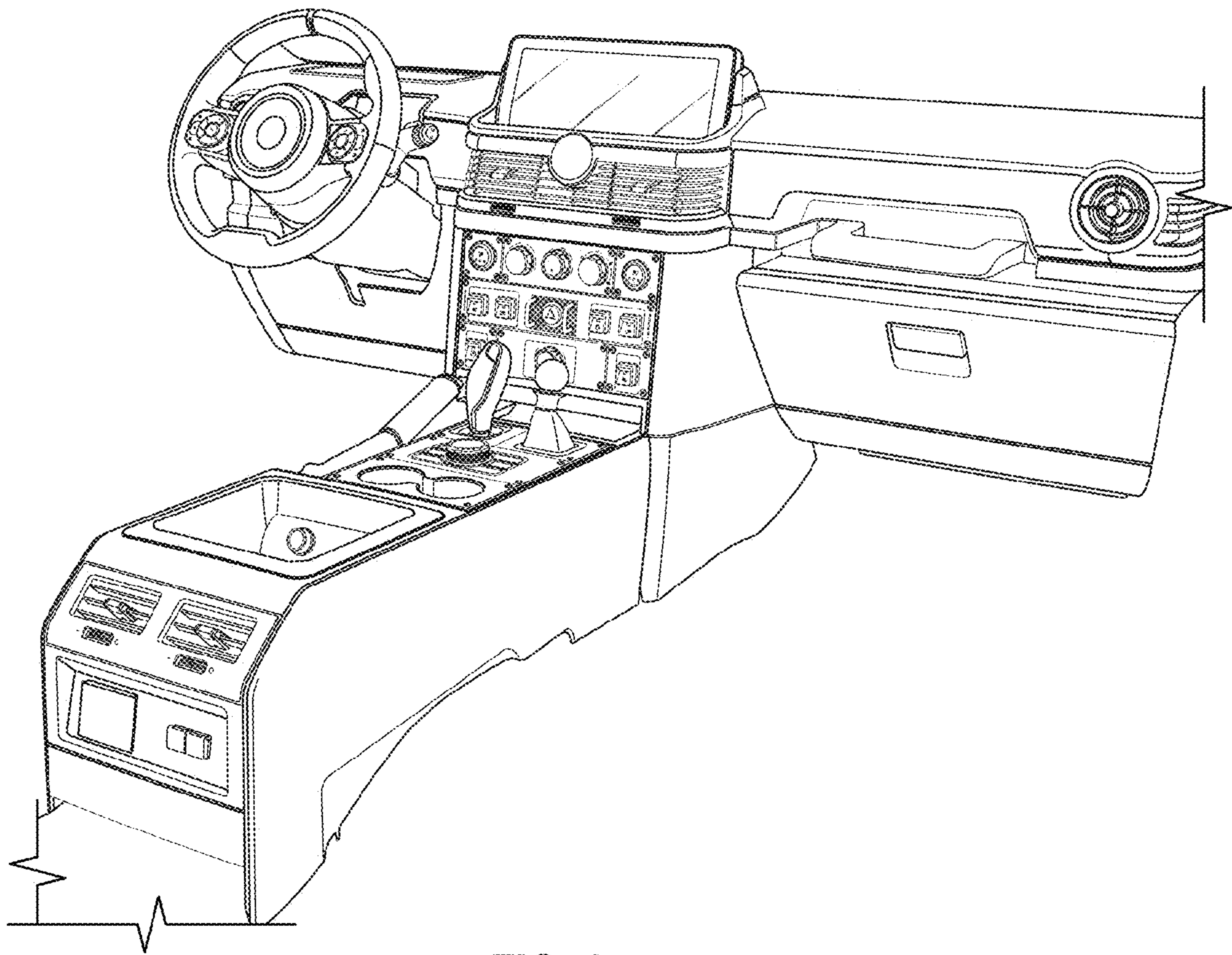


FIG. 1

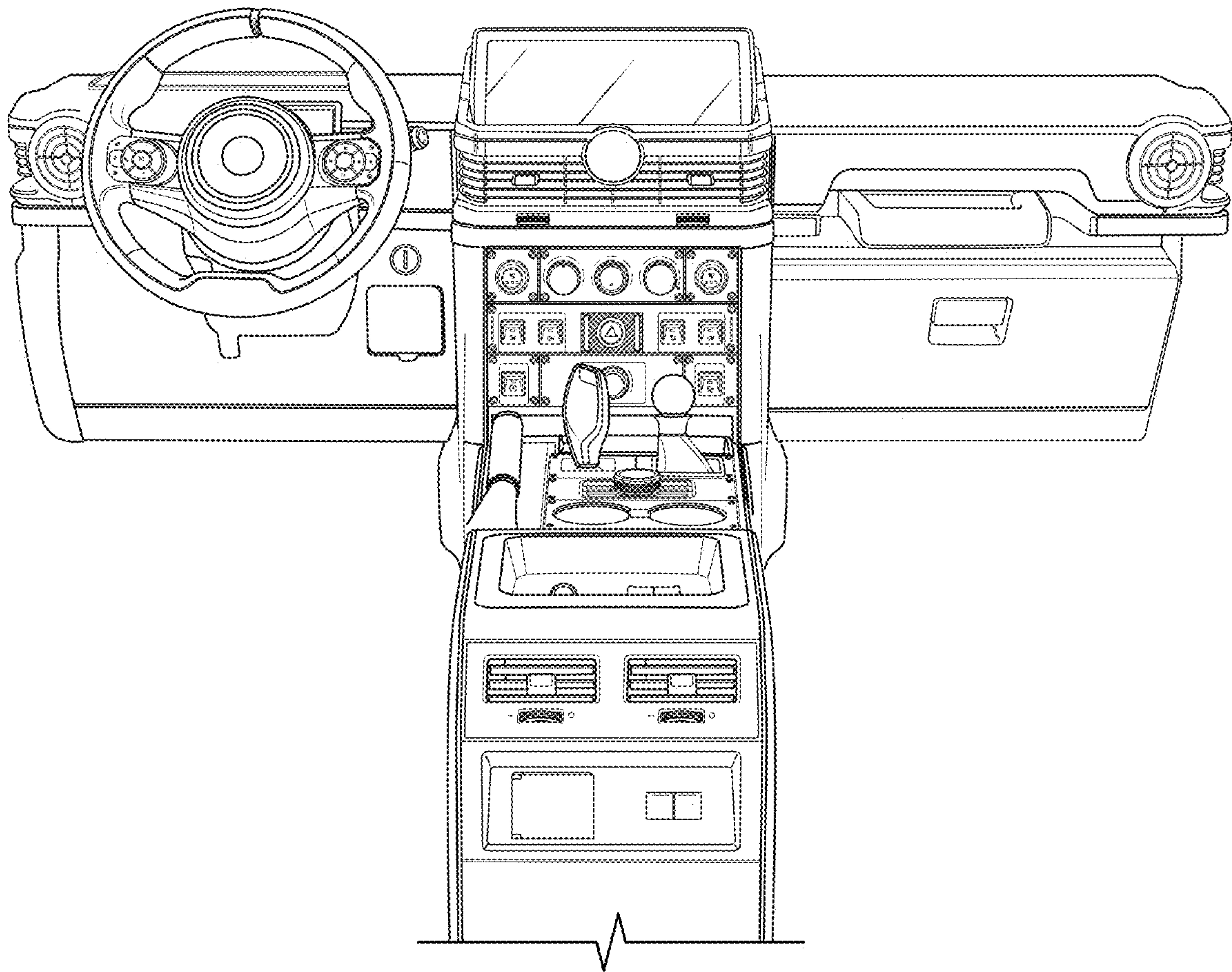


FIG. 2