



US00D984358S

(12) **United States Design Patent**  
**Hanstock**

(10) **Patent No.:** **US D984,358 S**

(45) **Date of Patent:** **\*\* Apr. 25, 2023**

- (54) **VEHICLE CENTER CONSOLE**
- (71) Applicant: **Jaguar Land Rover Limited**, Whitley Coventry (GB)
- (72) Inventor: **Paul Hanstock**, Whitley Coventry (GB)
- (73) Assignee: **Jaguar Land Rover Limited**, Whitley Coventry (GB)
- (\*\*) Term: **15 Years**
- (21) Appl. No.: **29/786,579**
- (22) Filed: **Jun. 1, 2021**

(30) **Foreign Application Priority Data**

Dec. 3, 2020 (EM) ..... 008308522-0006

(51) **LOC (14) Cl.** ..... **12-16**

(52) **U.S. Cl.**  
USPC ..... **D12/415**

(58) **Field of Classification Search**  
USPC ..... D12/415, 419; D7/620  
CPC ..... B60R 13/02; C03C 3/085; B60Q 3/64;  
B60Q 3/225; B60N 3/10  
See application file for complete search history.

(56) **References Cited**

**U.S. PATENT DOCUMENTS**

D830,951 S \* 10/2018 Karasawa ..... D12/419  
D832,187 S \* 10/2018 Buffery ..... D12/419

D876,318 S \* 2/2020 Ray ..... D12/415  
D880,402 S \* 4/2020 Ray ..... D12/415  
D890,078 S \* 7/2020 Nakao ..... D12/415  
D908,073 S \* 1/2021 Warner ..... D12/415  
D940,634 S \* 1/2022 Aizawa ..... D12/419  
D941,228 S \* 1/2022 Sandys ..... D12/415  
D941,229 S \* 1/2022 Ernstsson ..... D12/419  
D967,747 S \* 10/2022 Buffery ..... D12/415

\* cited by examiner

*Primary Examiner* — Katrina A Betton

(74) *Attorney, Agent, or Firm* — Wood Herron & Evans LLP

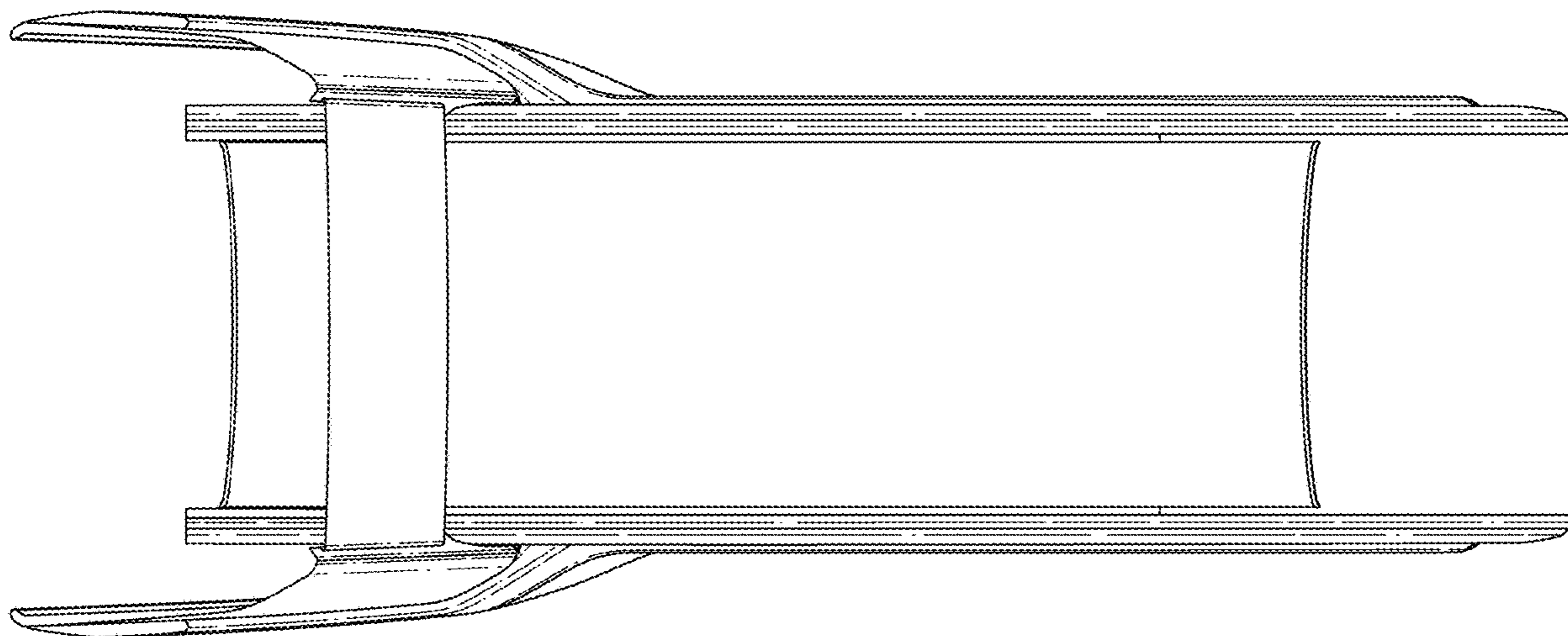
(57) **CLAIM**

The ornamental design for a vehicle center console, as shown and described.

**DESCRIPTION**

FIG. 1 is a front left perspective view of a vehicle center console according to the present invention.  
FIG. 2 is a rear right perspective view of the center console shown in FIG. 1.  
FIG. 3 is a front view thereof.  
FIG. 4 is a rear view thereof.  
FIG. 5 is a left side view thereof.  
FIG. 6 is a right side view thereof.  
FIG. 7 is a top view thereof; and,  
FIG. 8 is a bottom view thereof.

**1 Claim, 7 Drawing Sheets**



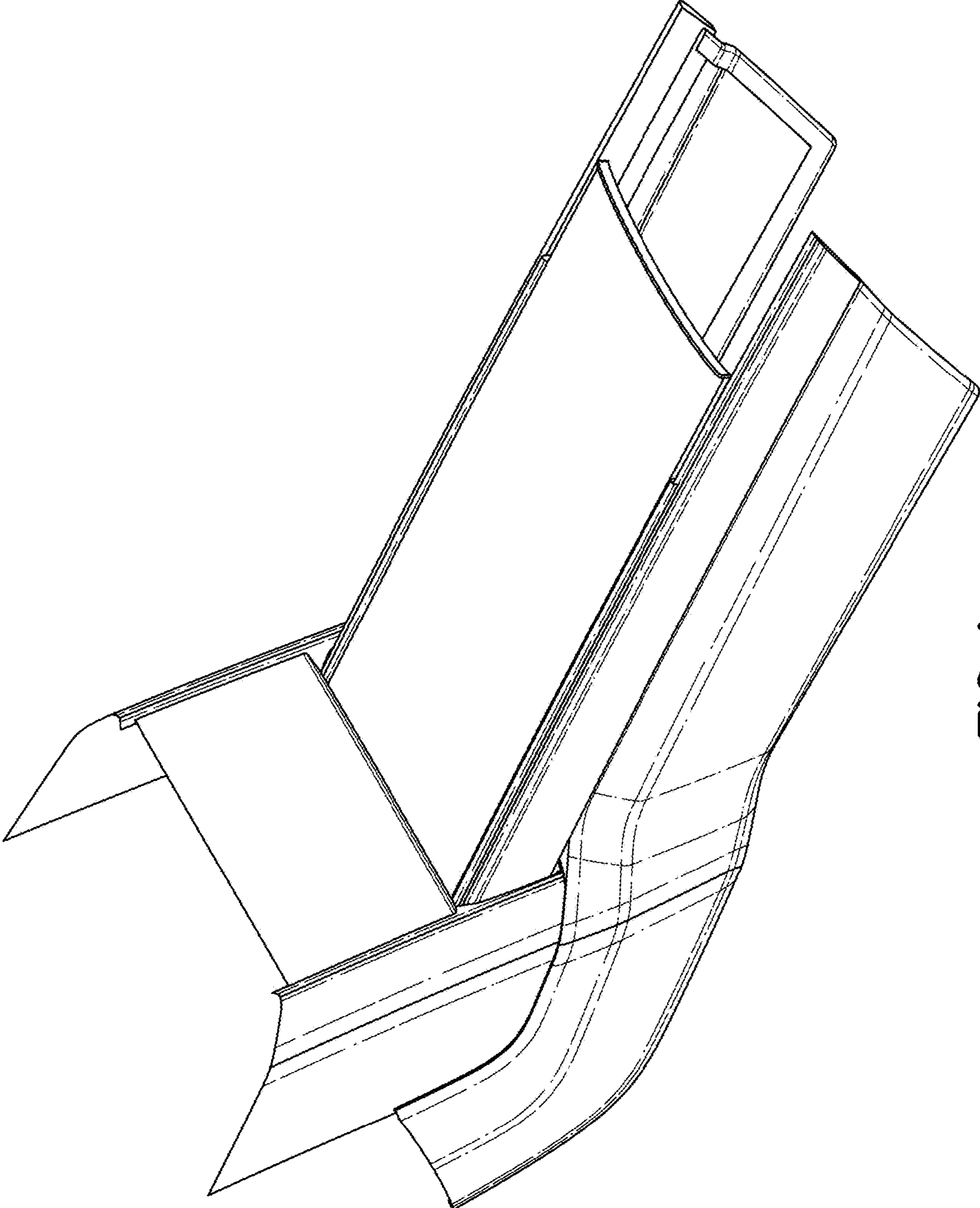


FIG. 1

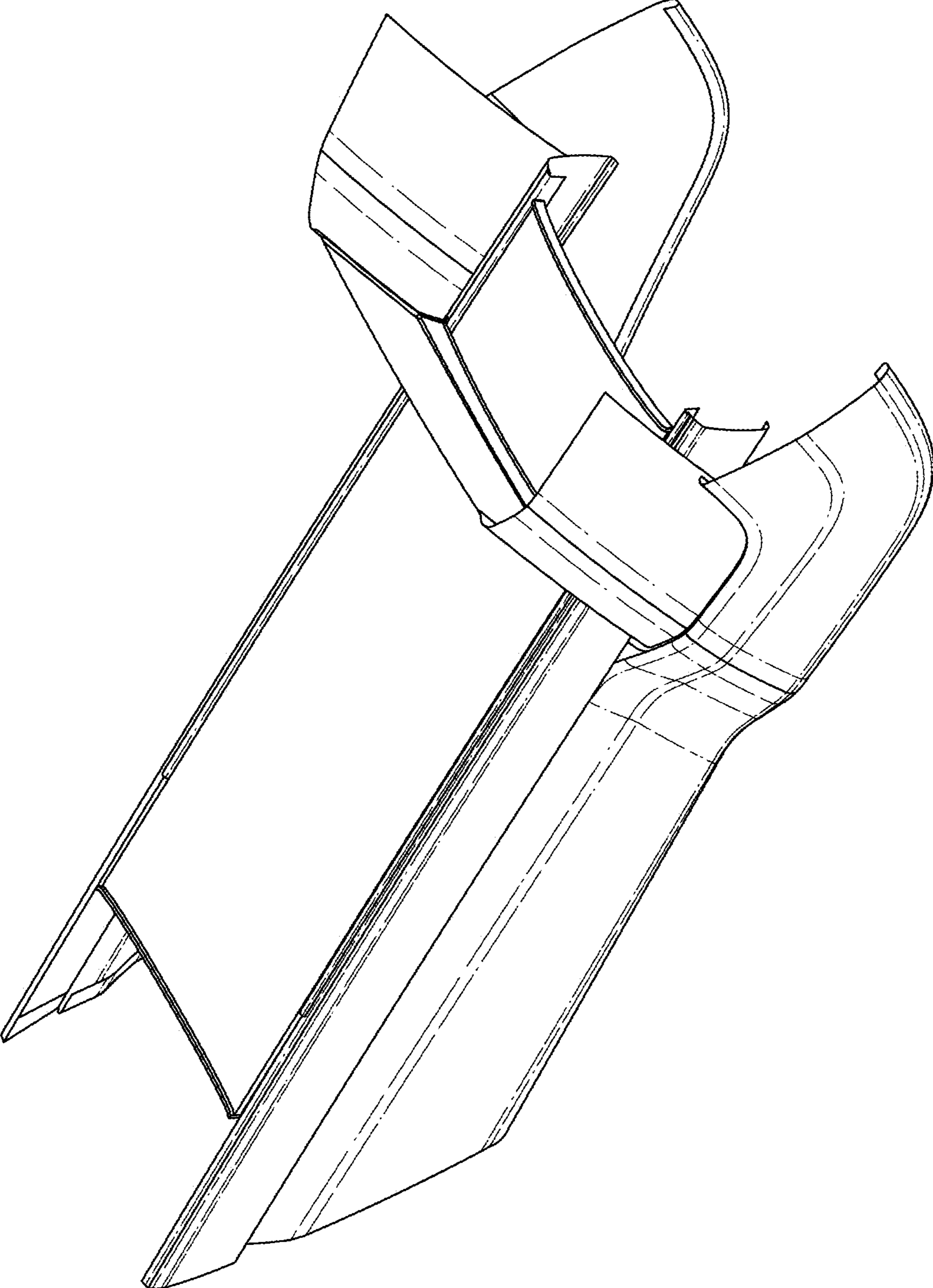


FIG. 2

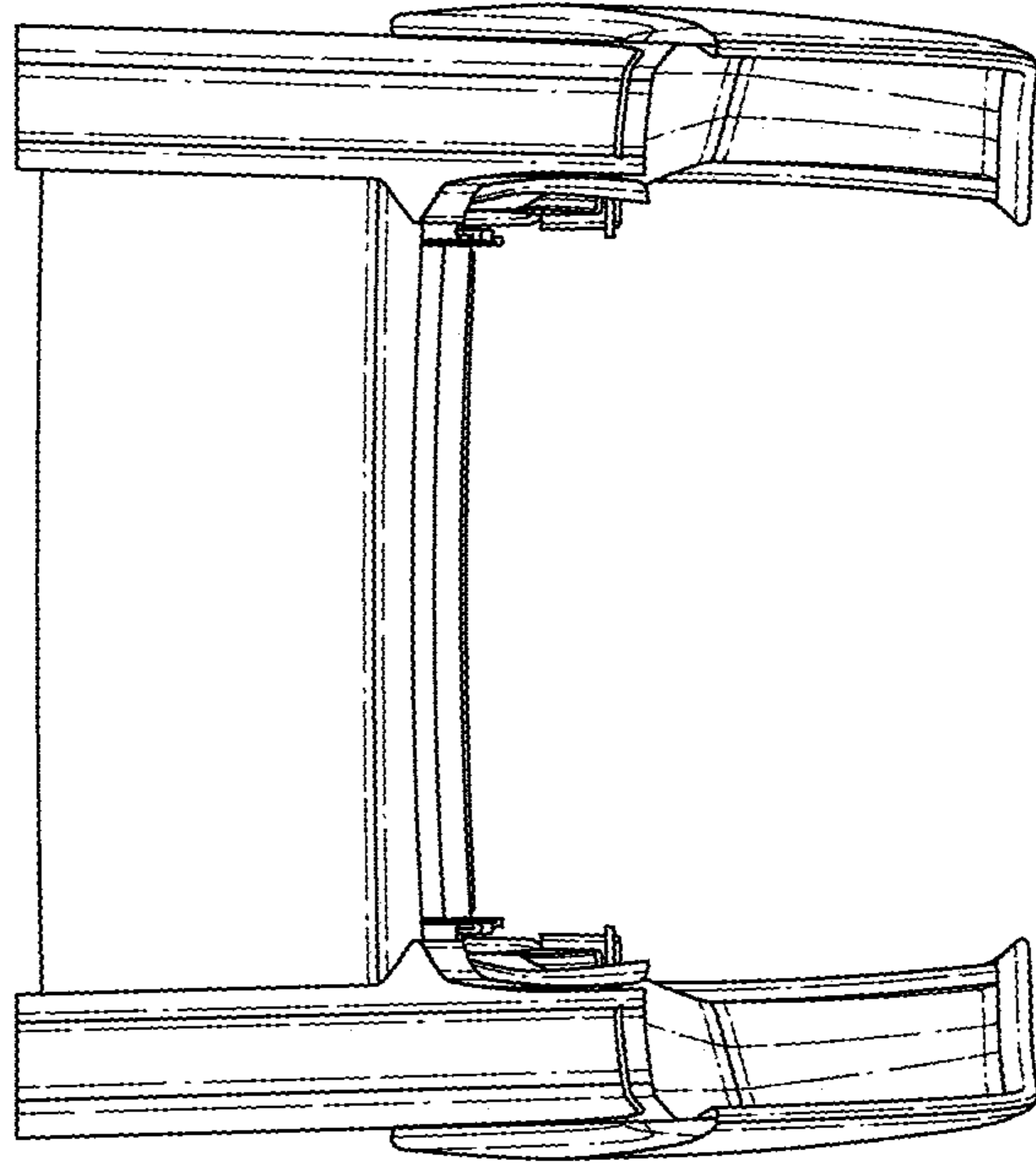


FIG. 4

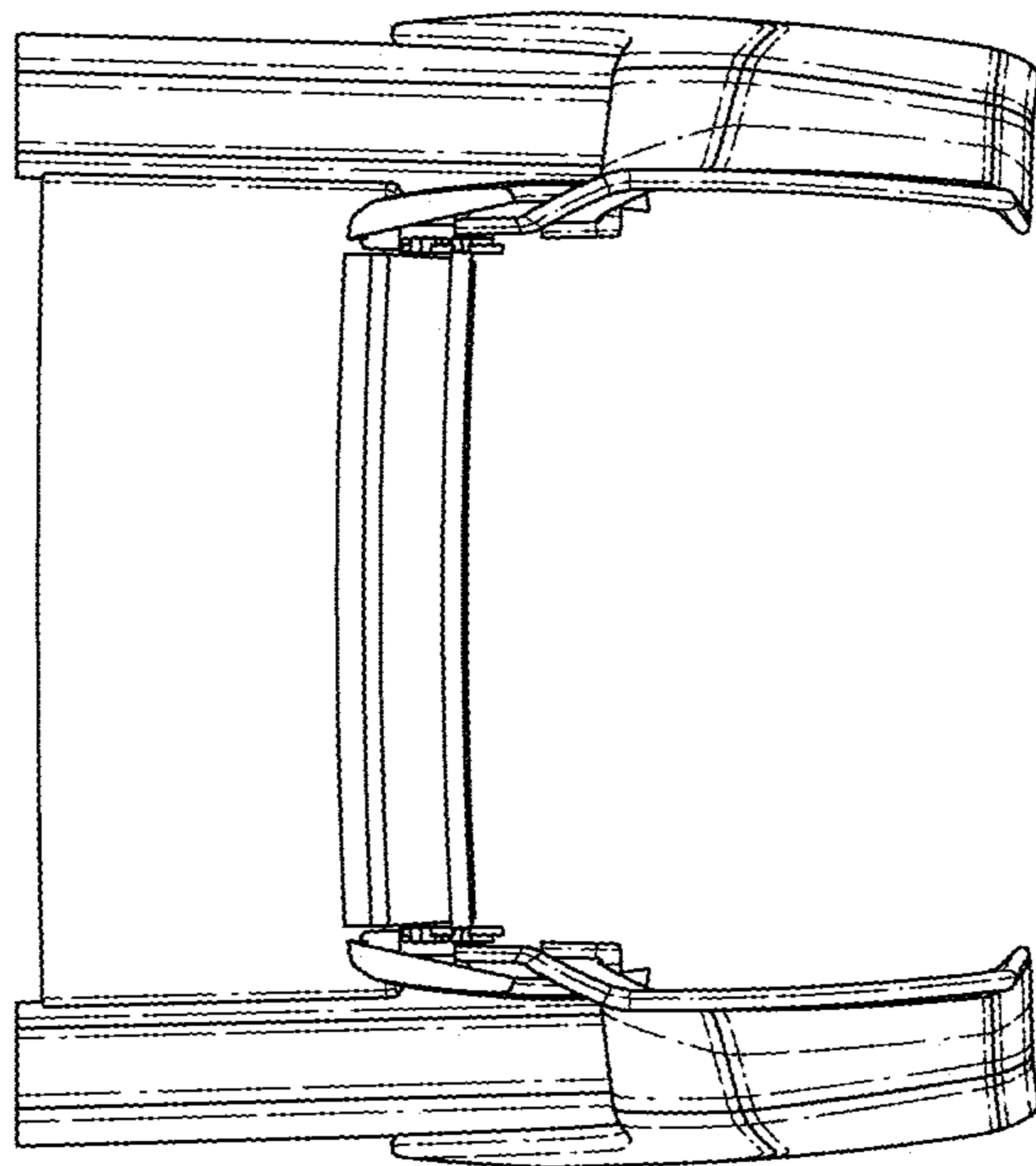


FIG. 3

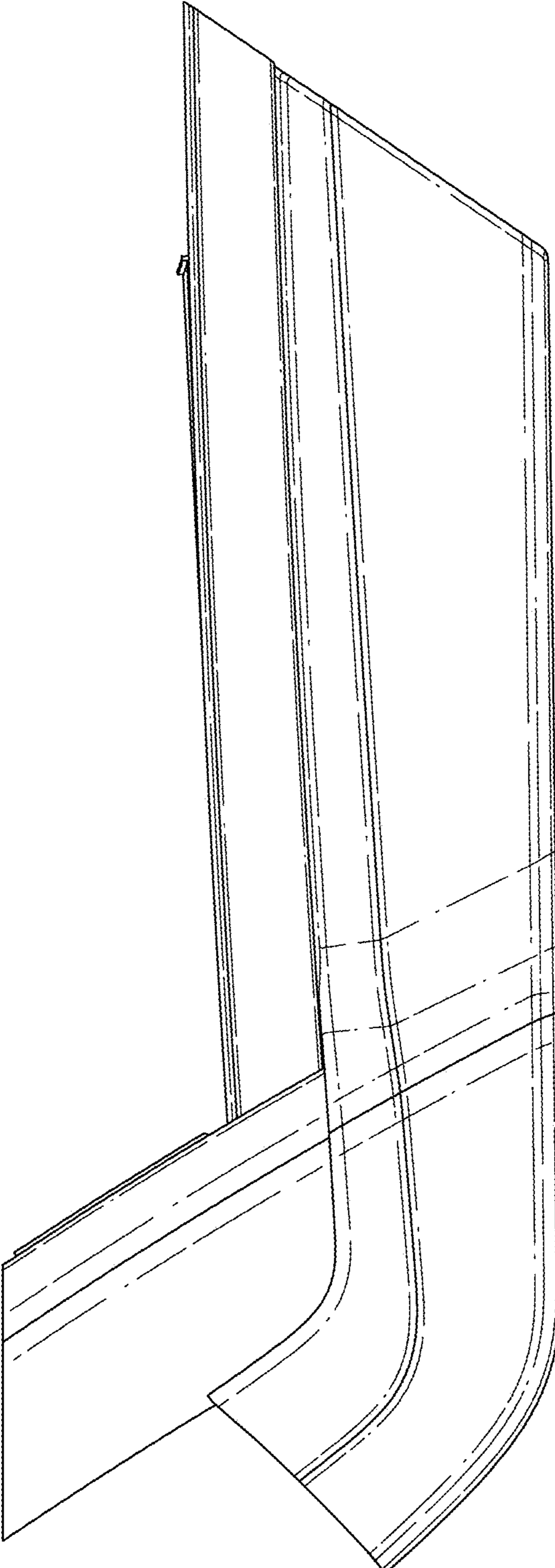


FIG. 5

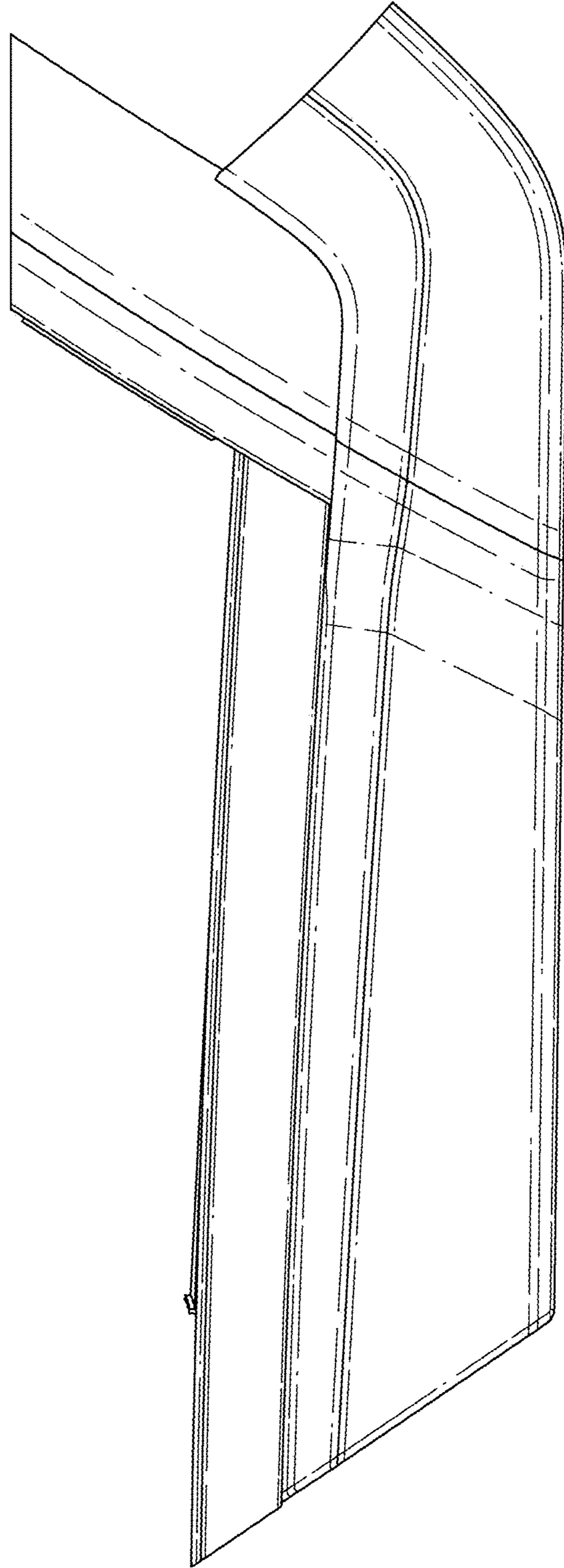


FIG. 6

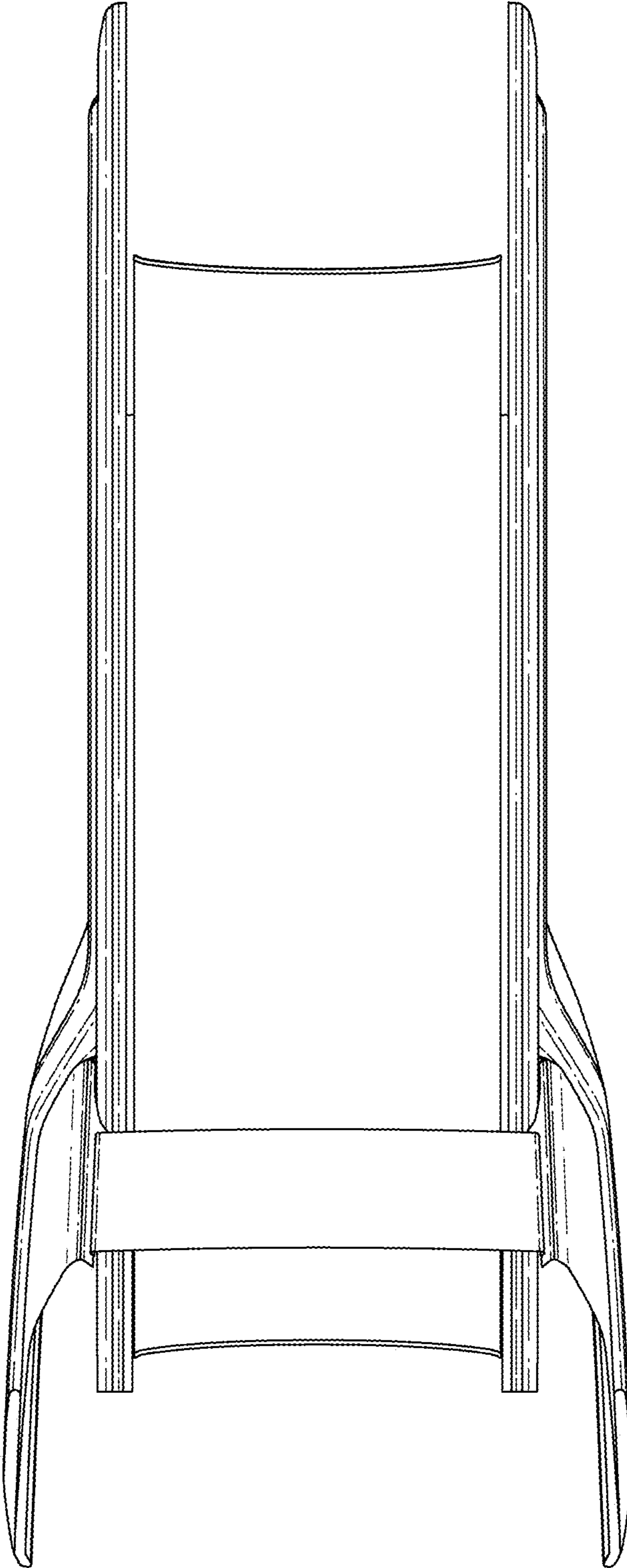


FIG. 7

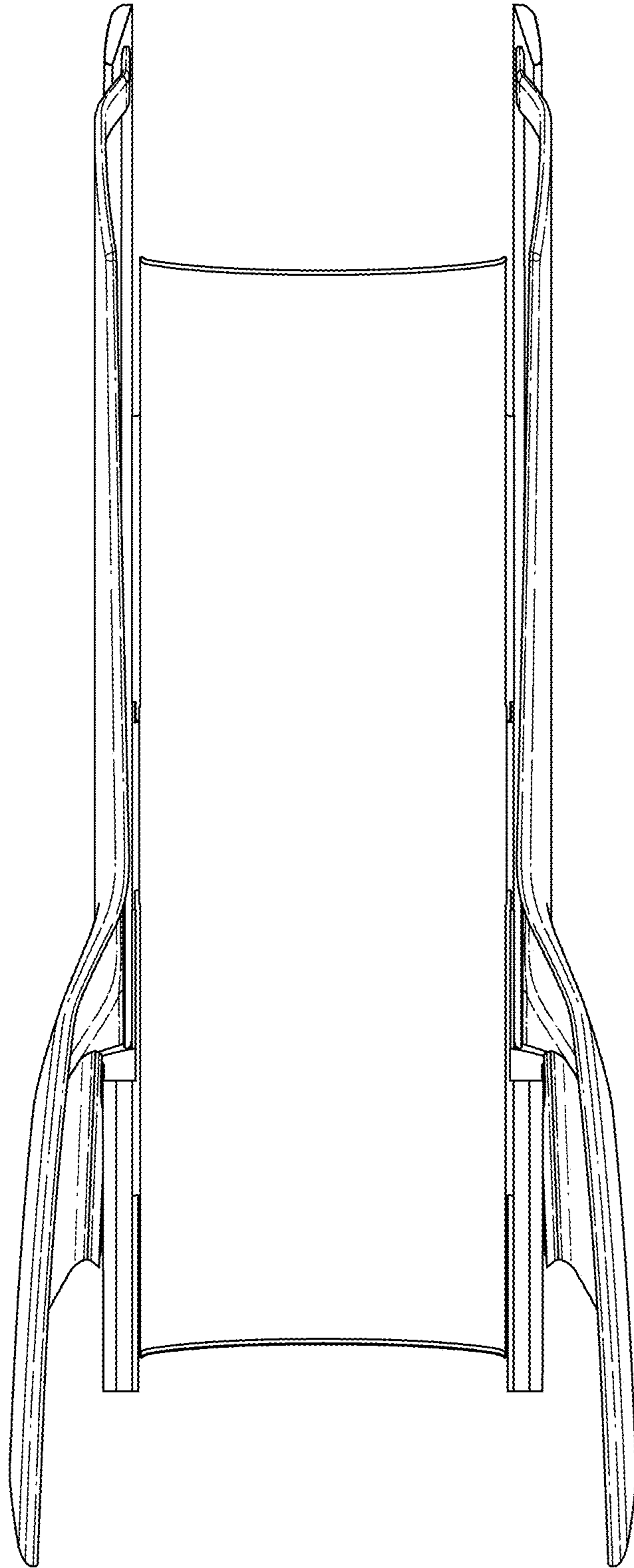


FIG. 8