



US00D984356S

(12) **United States Design Patent**
McMath

(10) **Patent No.:** **US D984,356 S**

(45) **Date of Patent:** **** Apr. 25, 2023**

- (54) **VEHICLE REAR BUMPER TIRE CARRIER**
- (71) Applicant: **Landon Cole McMath**, Riverside, CA (US)
- (72) Inventor: **Landon Cole McMath**, Riverside, CA (US)
- (**) Term: **15 Years**
- (21) Appl. No.: **29/794,163**
- (22) Filed: **Jun. 10, 2021**
- (51) **LOC (14) Cl.** **12-16**
- (52) **U.S. Cl.**
USPC **D12/406**
- (58) **Field of Classification Search**
USPC D12/86, 90, 169, 171, 196, 216, 406,
D12/408; D21/424, 433
CPC B60R 19/02; B60R 19/18; B60R 19/24;
B60R 19/56; B60R 2019/007
See application file for complete search history.

(56) **References Cited**

U.S. PATENT DOCUMENTS

D562,198 S *	2/2008	Mardis	D12/171
D691,074 S *	10/2013	Dugardin	B62D 25/24
				D12/171
D792,818 S *	7/2017	McMath	D12/171
D821,275 S *	6/2018	Eck	D12/171
D874,999 S *	2/2020	Ewing	D12/171
D960,254 S *	8/2022	Ewing	D21/561
D974,251 S *	1/2023	McMath	D12/171
D974,252 S *	1/2023	McMath	D12/171
2015/0259011 A1 *	9/2015	Deckard	B62D 25/24
				280/781

OTHER PUBLICATIONS

Amazon.com, Tusk Modular Spare Tire Carrier Can-Am Maverick X3 X MR Turbo R 72, published Dec. 22, 2021 [retrieved Jan. 6,

2023]. Retrieved from the internet<<https://www.amazon.com/TUSK-Modular-Carrier-Maverick-2018-2019/dp/B09P46BCR2>> (Year: 2021).*
YouTube.com, DRT Motorsports Can-Am X3 CAX3RB1 rear bumper tire carrier install, published Jul. 12, 2021 [retrieved Jan. 6, 2023]. Retrieved from the internet<<https://www.youtube.com/watch?v=H1TIPV5TUX8>> (Year: 2021).*

* cited by examiner

Primary Examiner — Joseph Kukella
Assistant Examiner — Lavon M. Amerson
(74) *Attorney, Agent, or Firm* — Curtis L. Harrington;
Harrington & Harrington

(57) **CLAIM**

The ornamental design for a vehicle rear bumper tire carrier, as shown and described.

DESCRIPTION

FIG. 1 is a left upper perspective view of a vehicle rear bumper tire carrier, in use condition showing my new design;

FIG. 2 is a right side elevational view thereof, the left side elevational view being a mirror image;

FIG. 3 is a front elevational view thereof;

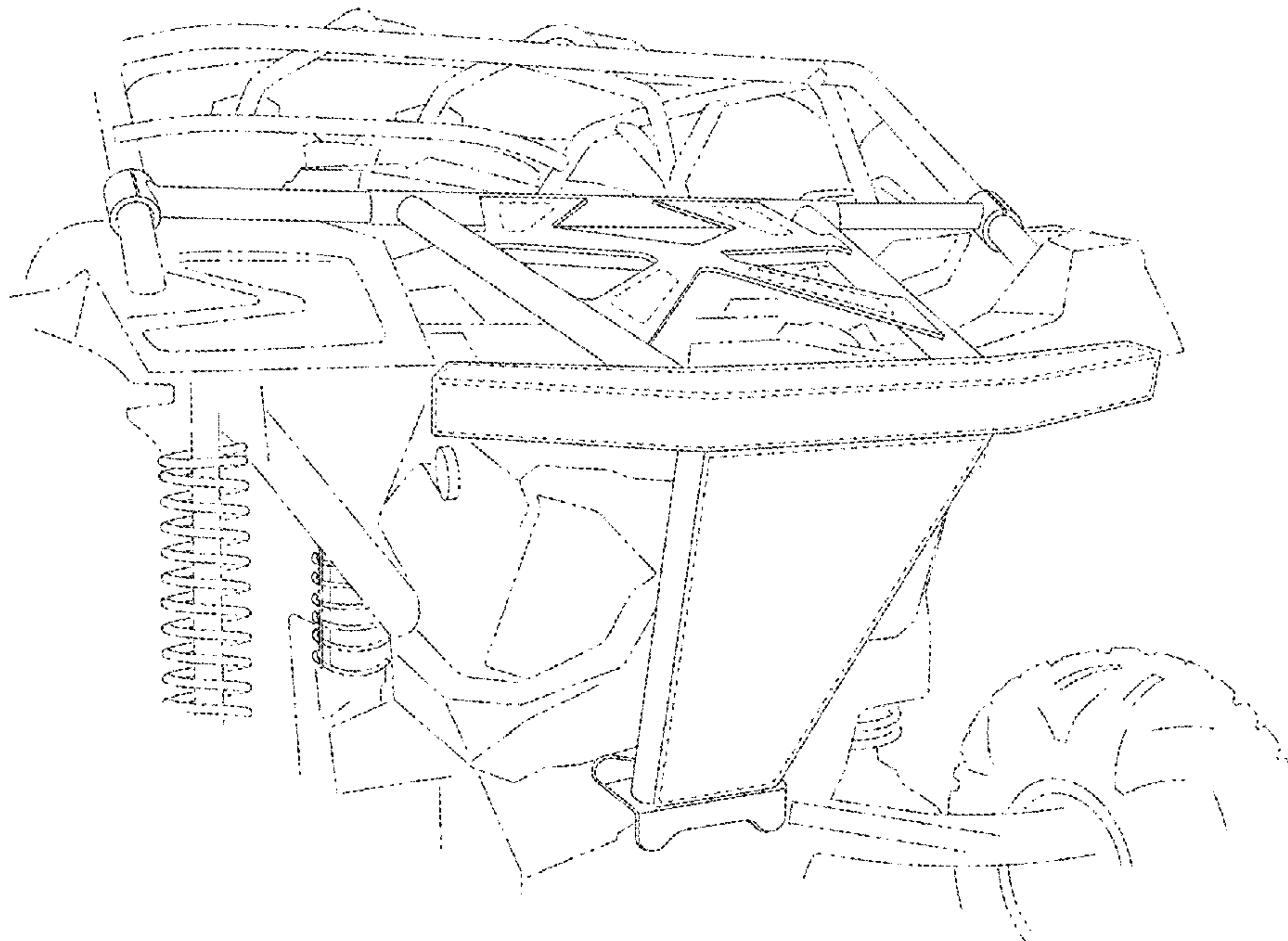
FIG. 4 is a rear elevational view thereof;

FIG. 5 top plan view thereof; and,

FIG. 6 is a bottom plan view thereof.

The dash-dash even broken lines illustrate and surround portions of the vehicle rear bumper tire carrier that form no part of the claimed design. The “long dash-short dash-short dash” broken lines shown in the drawings illustrate vehicle environmental subject matter which forms no part of the claimed design.

1 Claim, 3 Drawing Sheets



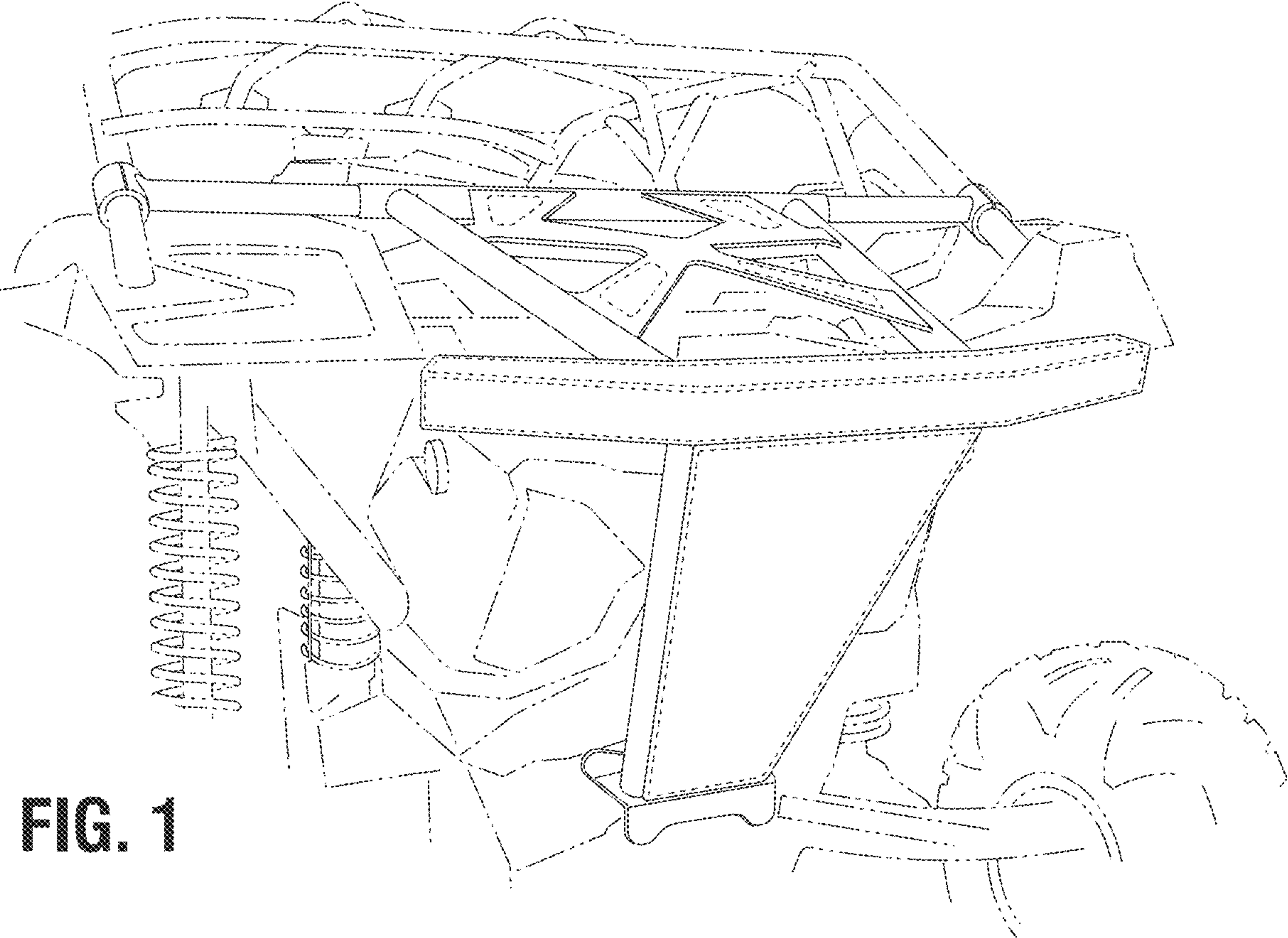


FIG. 1

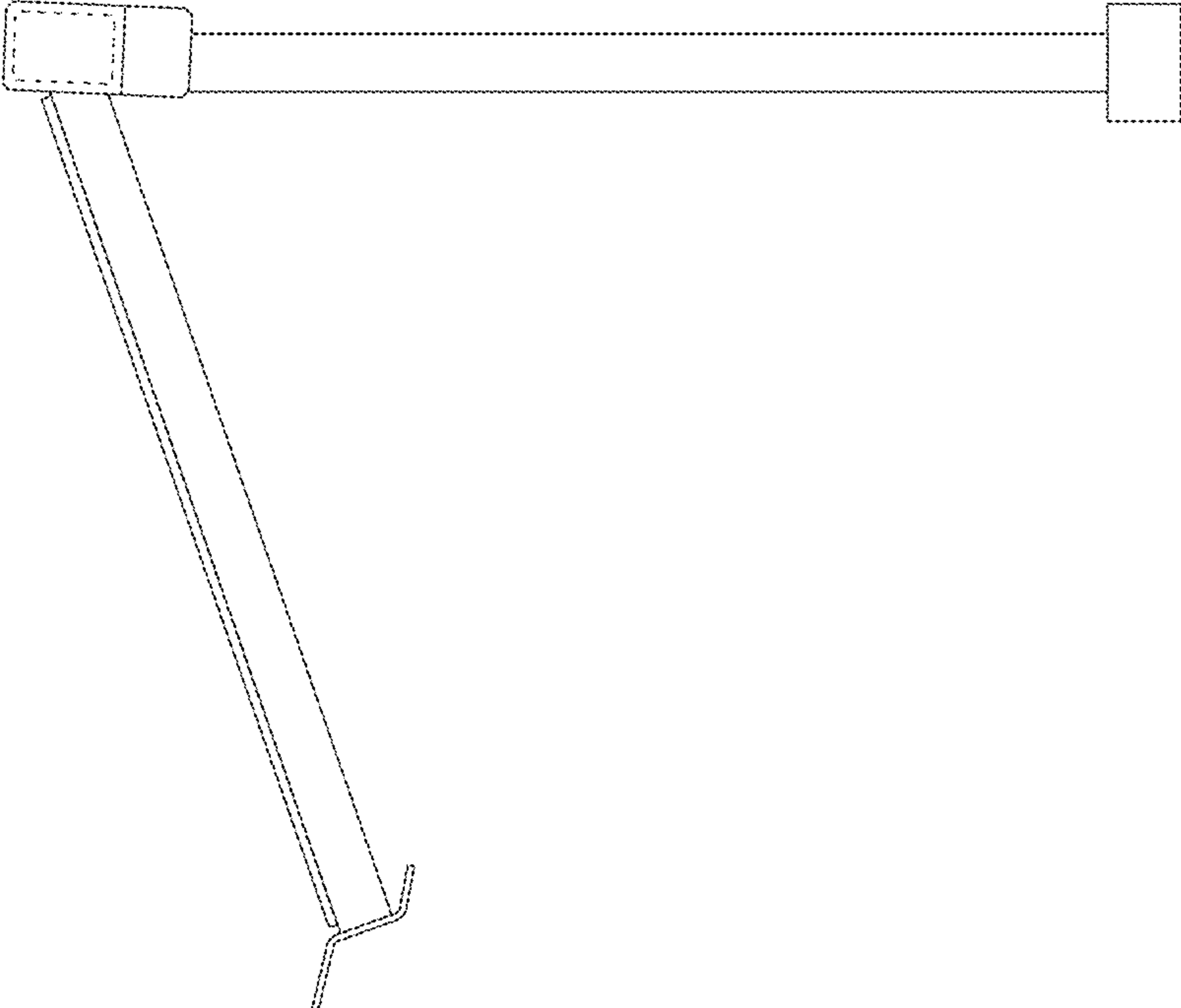
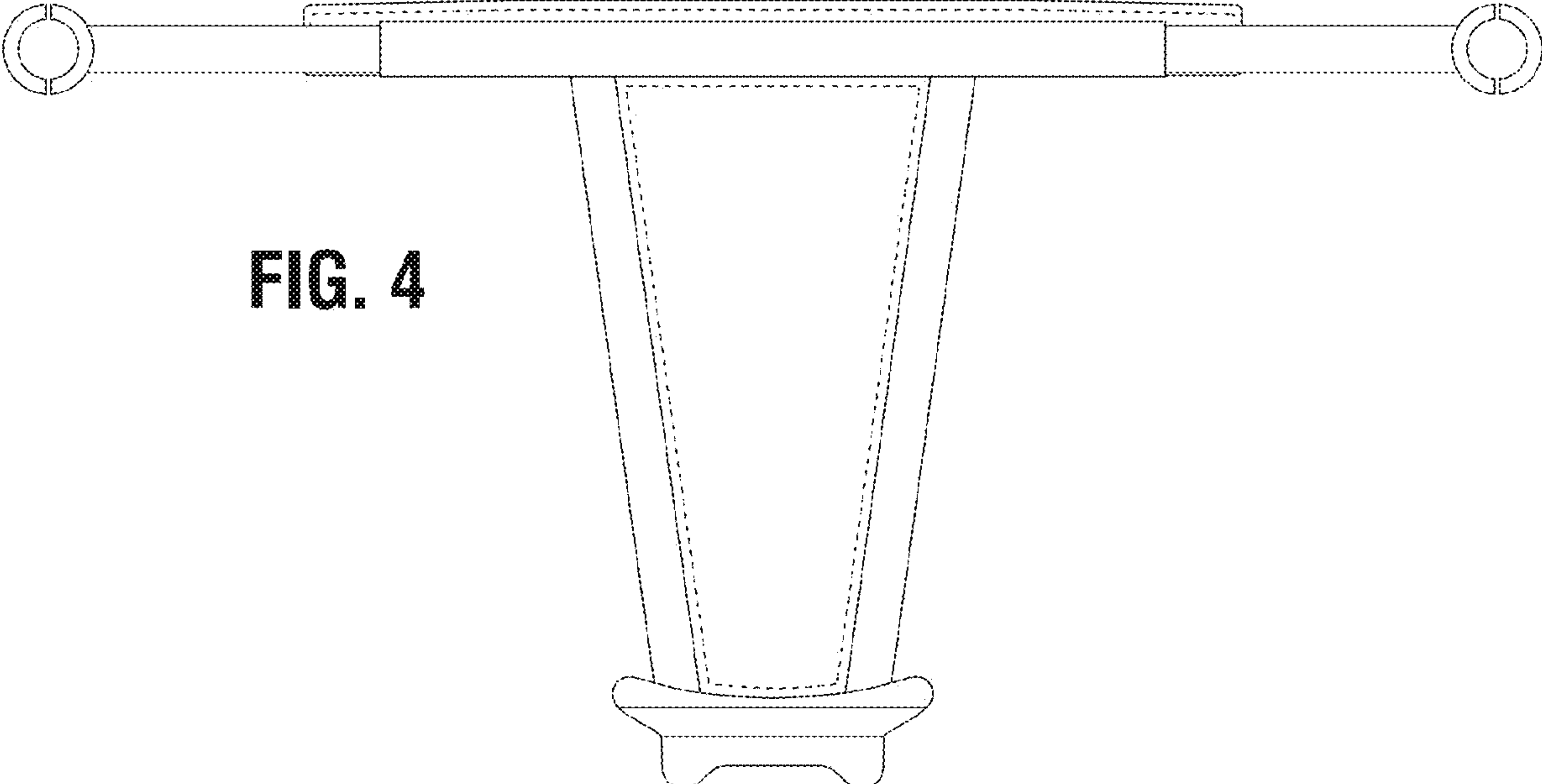
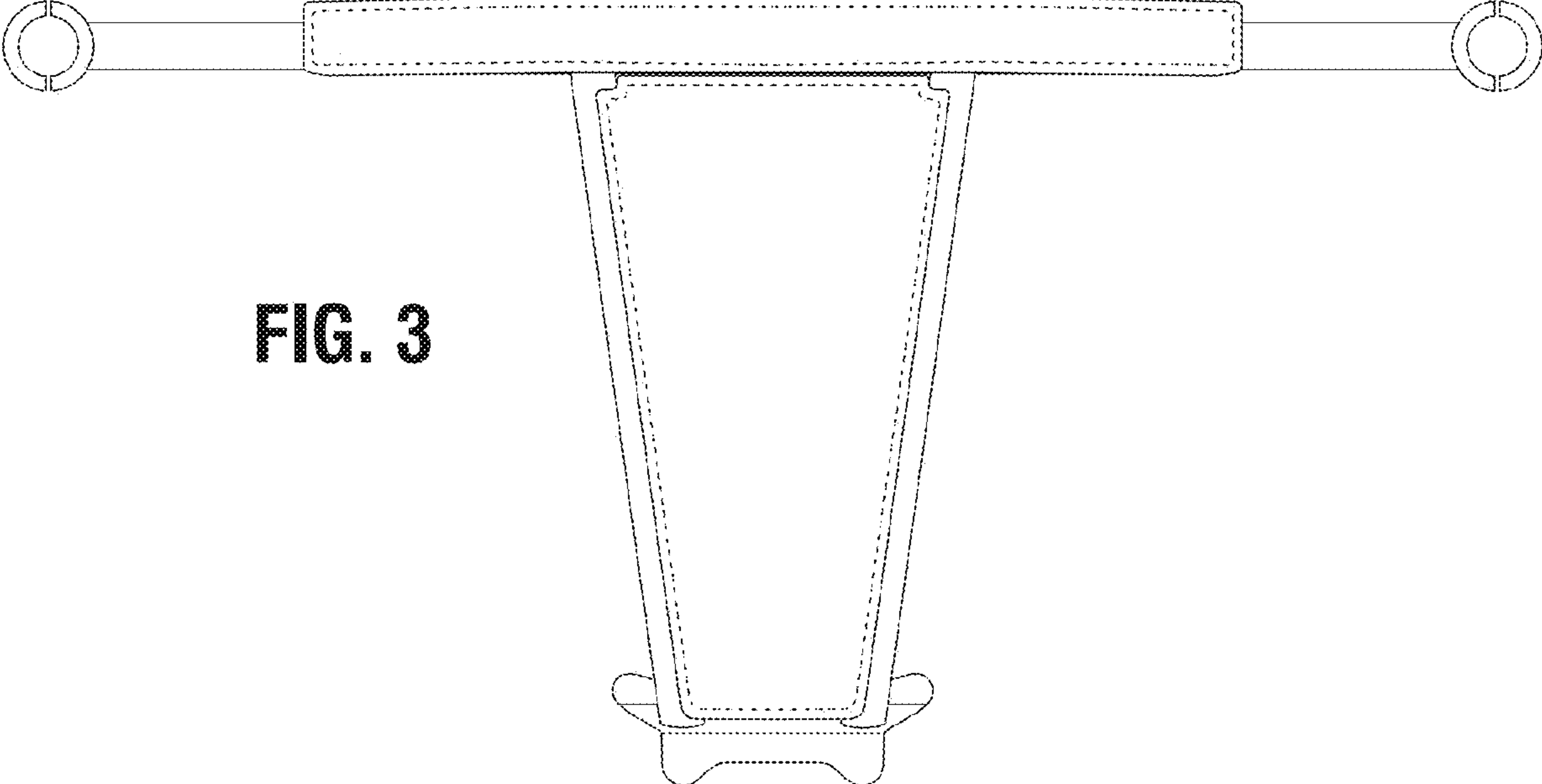


FIG. 2



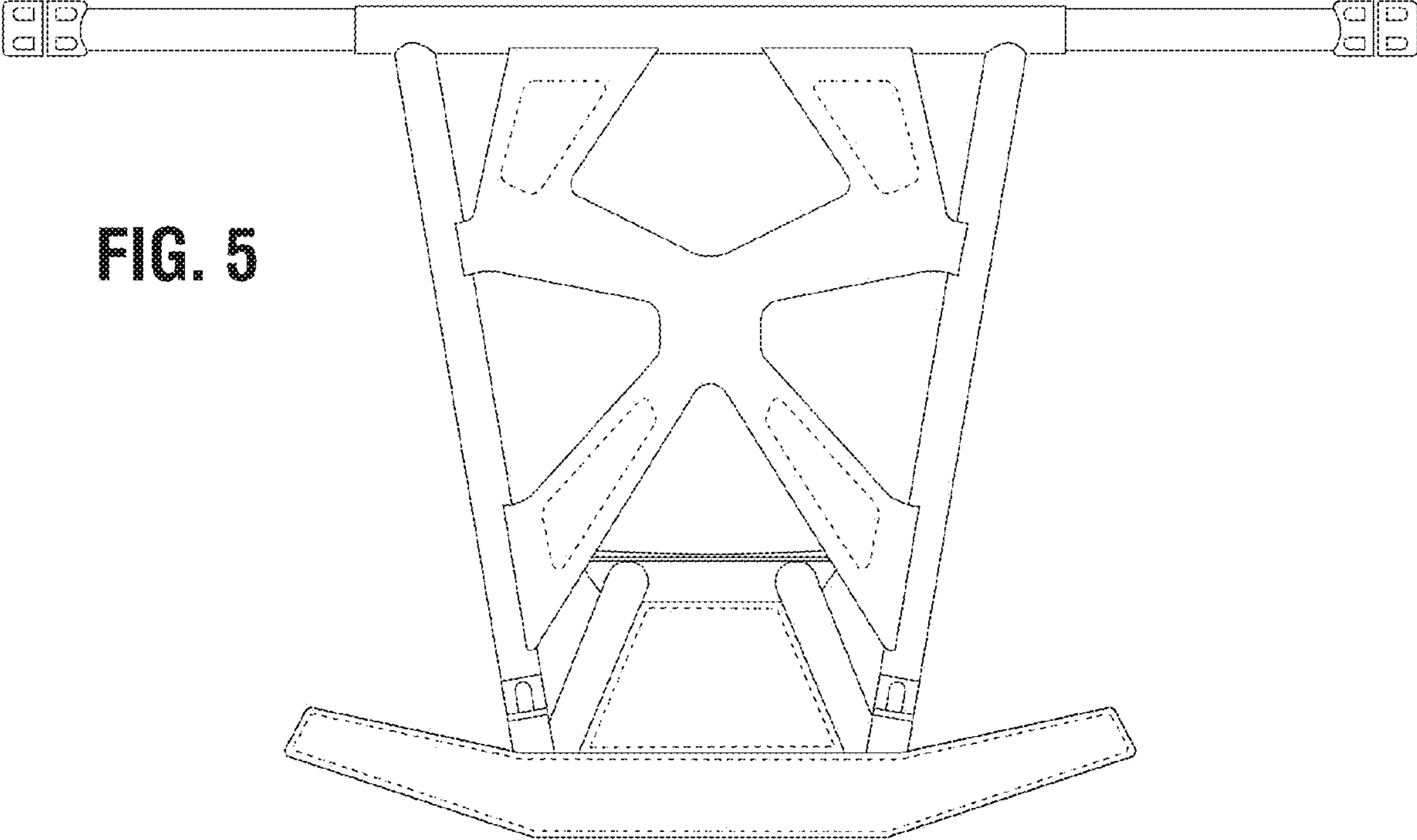


FIG. 5

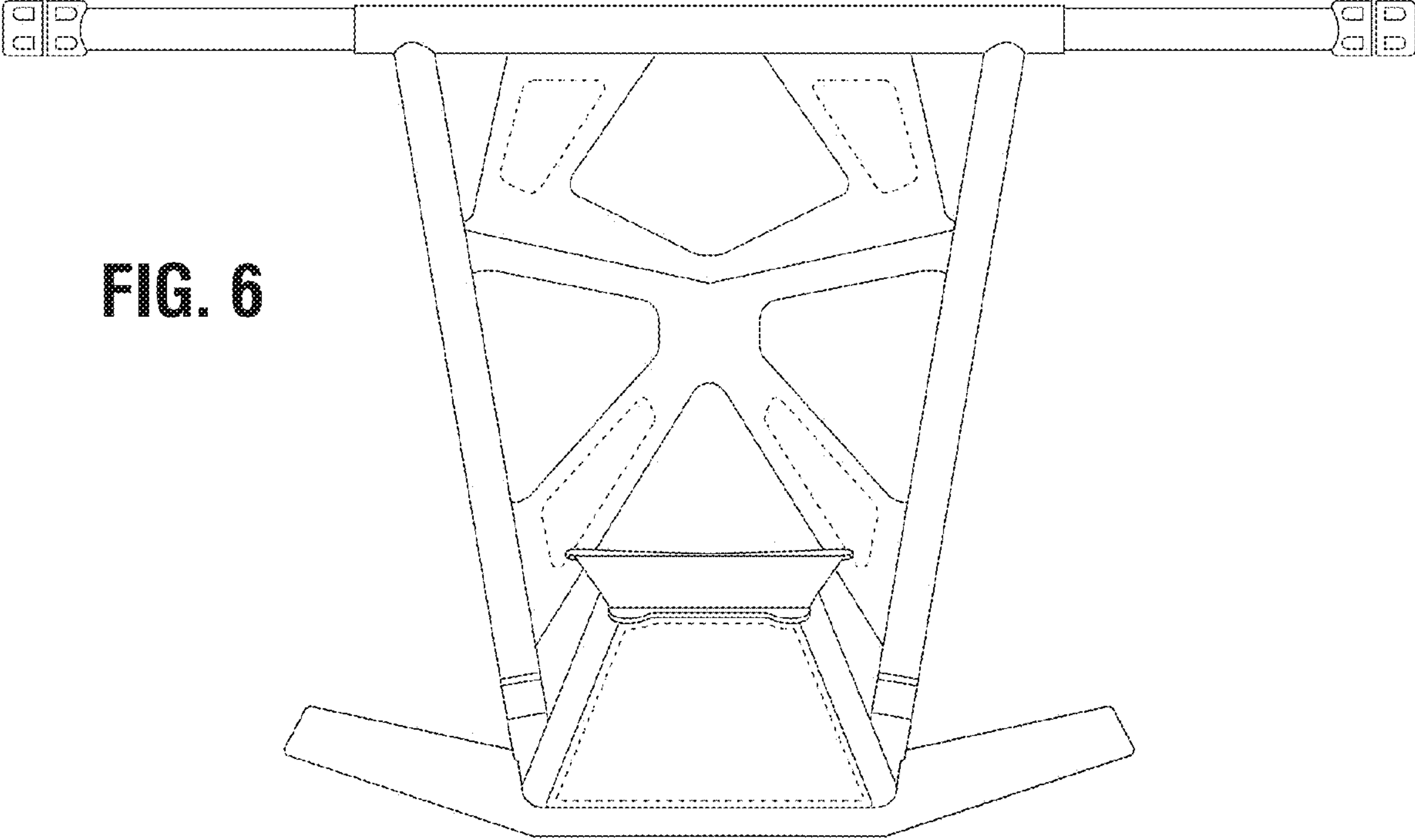


FIG. 6