



US00D984355S

(12) **United States Design Patent**
Zhang

(10) **Patent No.:** **US D984,355 S**

(45) **Date of Patent:** **** Apr. 25, 2023**

(54) **ROOF TENT FRAME**

(71) Applicant: **EAGLE OUTDOOR CAMPING PRODUCTS CO., LTD.**, Quzhou (CN)

(72) Inventor: **Zhengfeng Zhang**, Quzhou (CN)

(73) Assignee: **EAGLE OUTDOOR CAMPING PRODUCTS CO., LTD.**, Quzhou (CN)

(**) Term: **15 Years**

(21) Appl. No.: **29/794,418**

(22) Filed: **Jun. 11, 2021**

(30) **Foreign Application Priority Data**

May 10, 2021 (CN) 202130276096.5

(51) **LOC (14) Cl.** **12-16**

(52) **U.S. Cl.**
USPC **D12/403**

(58) **Field of Classification Search**
USPC D12/401-405; D6/610, 621, 611, 596,
D6/601, 602, 603, 615, 617; D7/332,
D7/334-337

CPC B65D 85/68; B65D 31/16; B65D 33/02;
B60R 5/04; B60R 5/045; B60P 7/04
See application file for complete search history.

(56) **References Cited**

U.S. PATENT DOCUMENTS

D247,711 S * 4/1978 Pittman D12/403
D297,424 S * 8/1988 Norris, III D12/403

D333,646 S * 3/1993 Levy D12/403
D348,300 S * 6/1994 Cantwell D21/837
D396,086 S * 7/1998 Cantwell D21/838
D902,125 S * 11/2020 Matras D12/403
D926,666 S * 8/2021 Martin D12/401
D936,521 S * 11/2021 Zhang D12/103
D939,656 S * 12/2021 Cheng D21/834
D962,150 S * 8/2022 Davis, Jr. D12/403
D964,498 S * 9/2022 Zhang D21/834
D972,061 S * 12/2022 Zhang A47D 15/00
D21/834

* cited by examiner

Primary Examiner — Katrina A Betton

(74) *Attorney, Agent, or Firm* — Muncy, Geissler, Olds & Lowe, P.C.

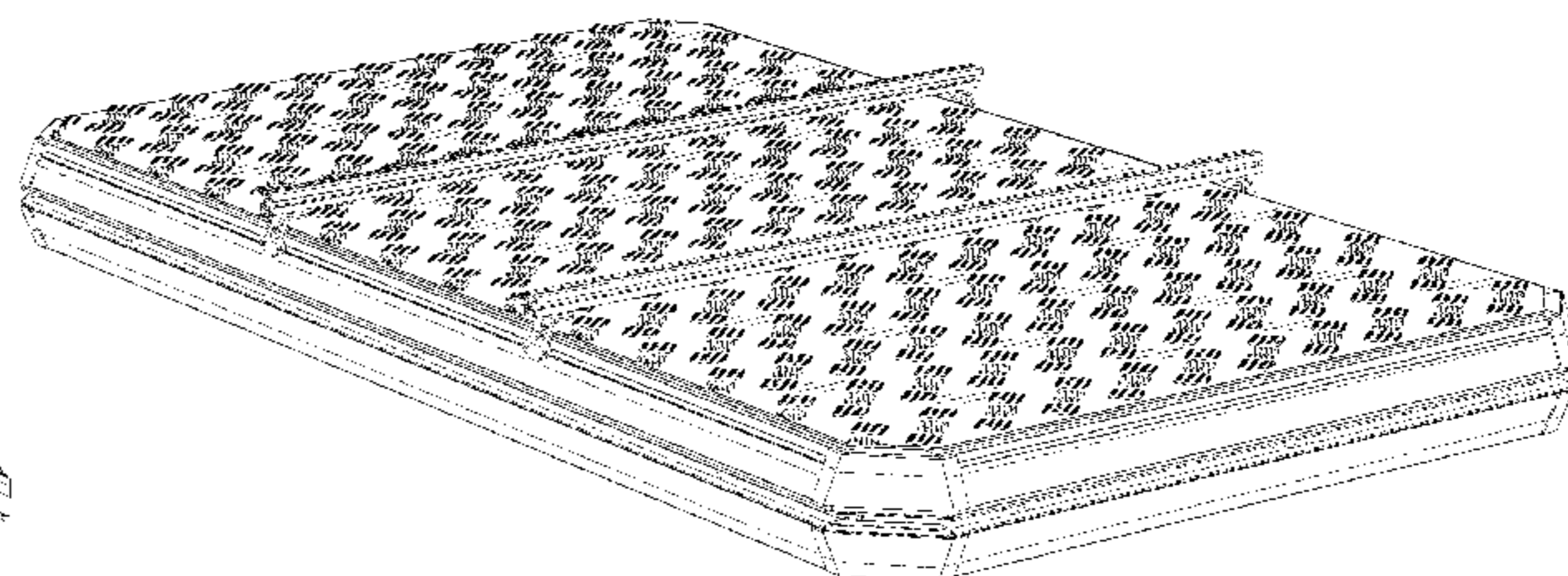
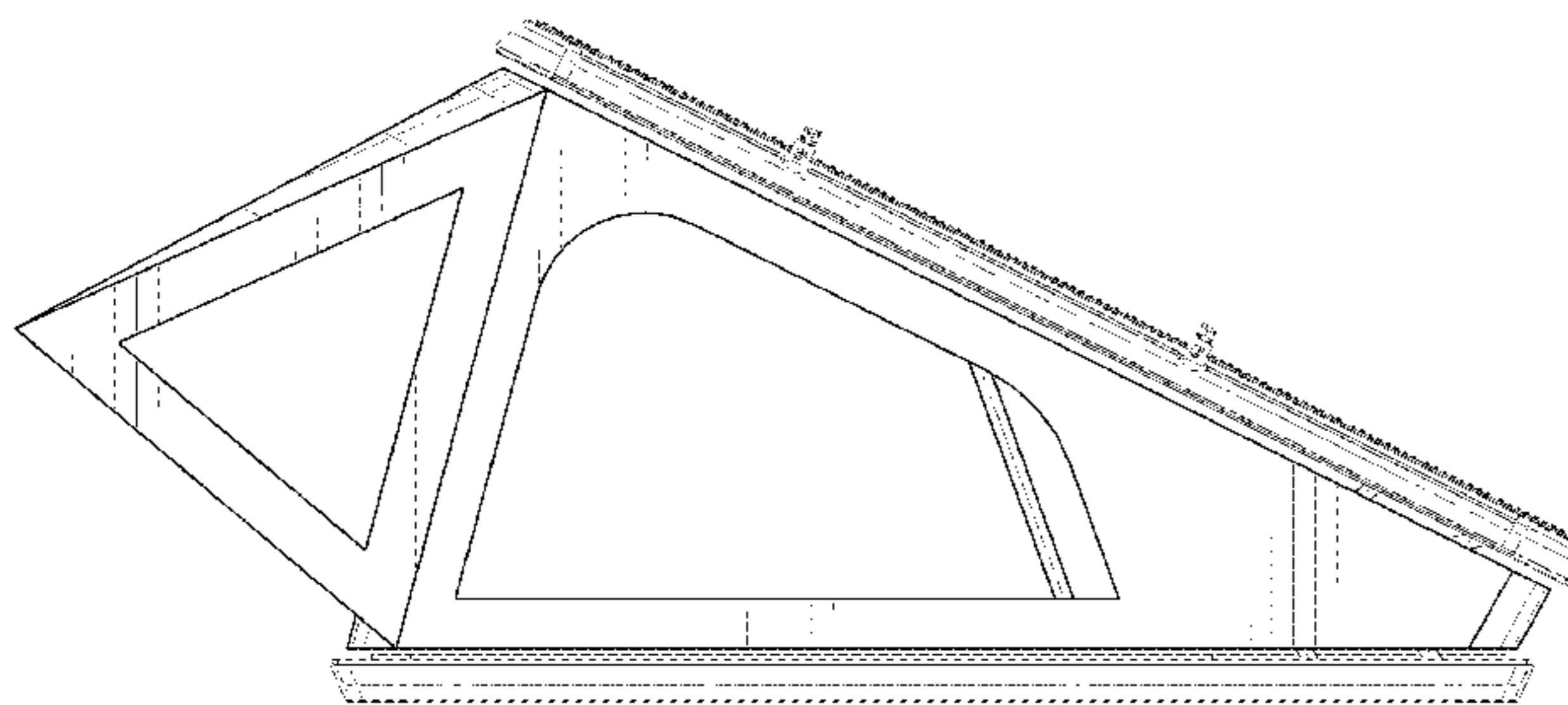
(57) **CLAIM**

The ornamental design for a roof tent frame, as shown and described.

DESCRIPTION

FIG. 1 is a left side perspective view of a roof tent frame showing my new design;
FIG. 2 is a rear perspective view thereof;
FIG. 3 is a front plan view thereof;
FIG. 4 is a rear plan view thereof;
FIG. 5 is a right side plan view thereof;
FIG. 6 is a left side plan view thereof;
FIG. 7 is a top plan view thereof;
FIG. 8 is a bottom plan view thereof; and,
FIG. 9 is a perspective view of the roof tent frame in a collapsed state.

1 Claim, 9 Drawing Sheets



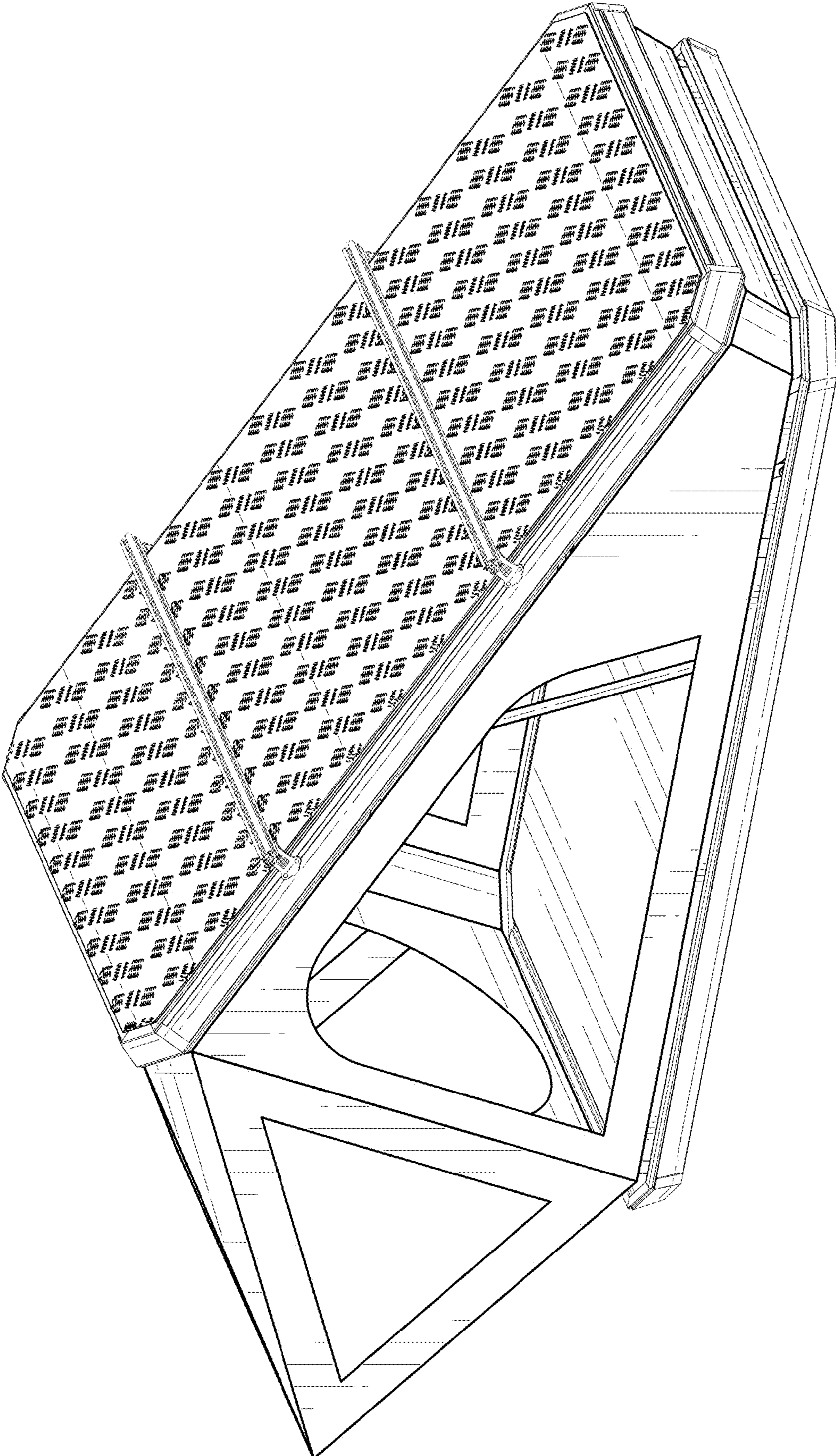


FIG. 1

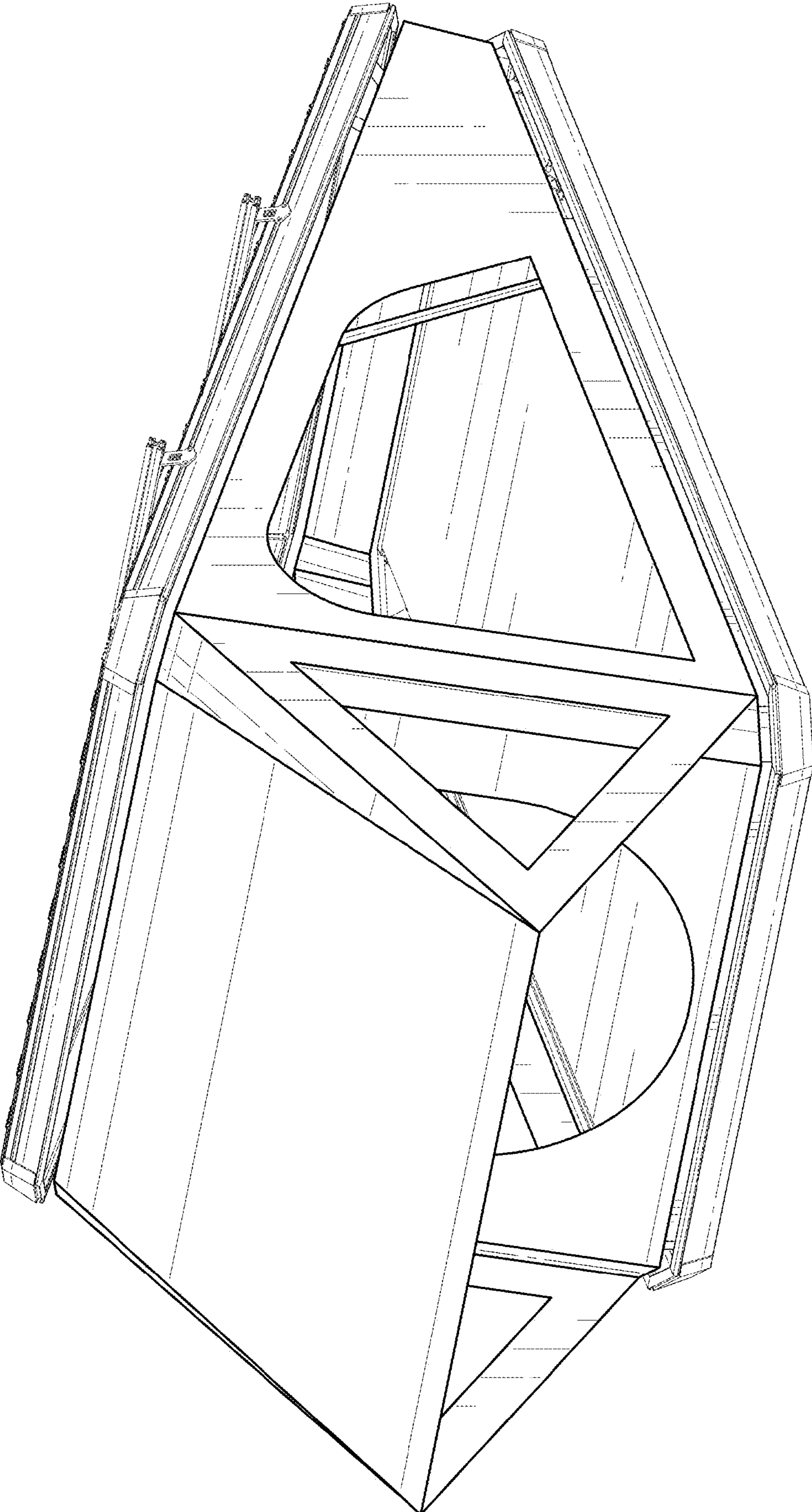


FIG. 2

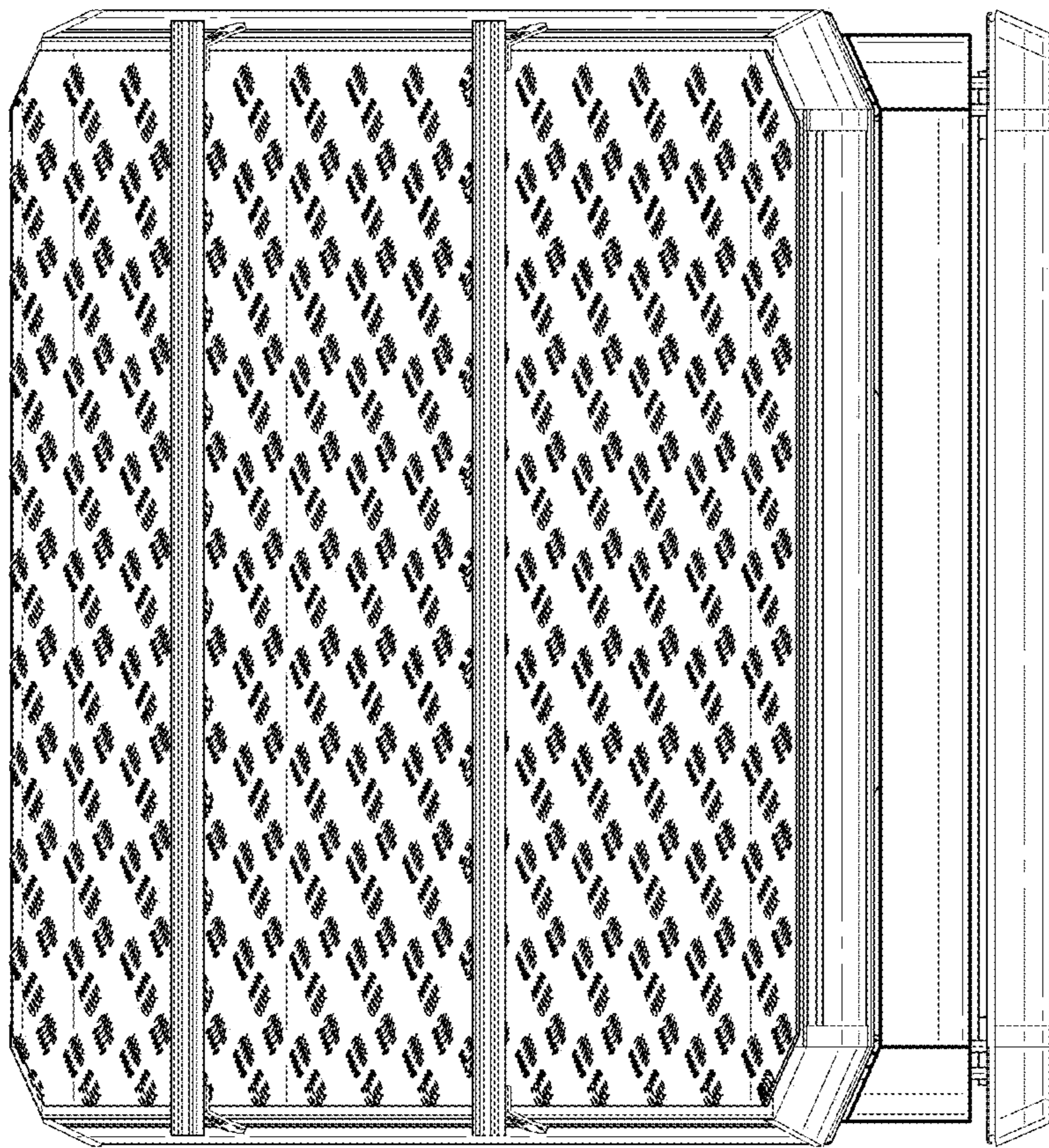


FIG. 3

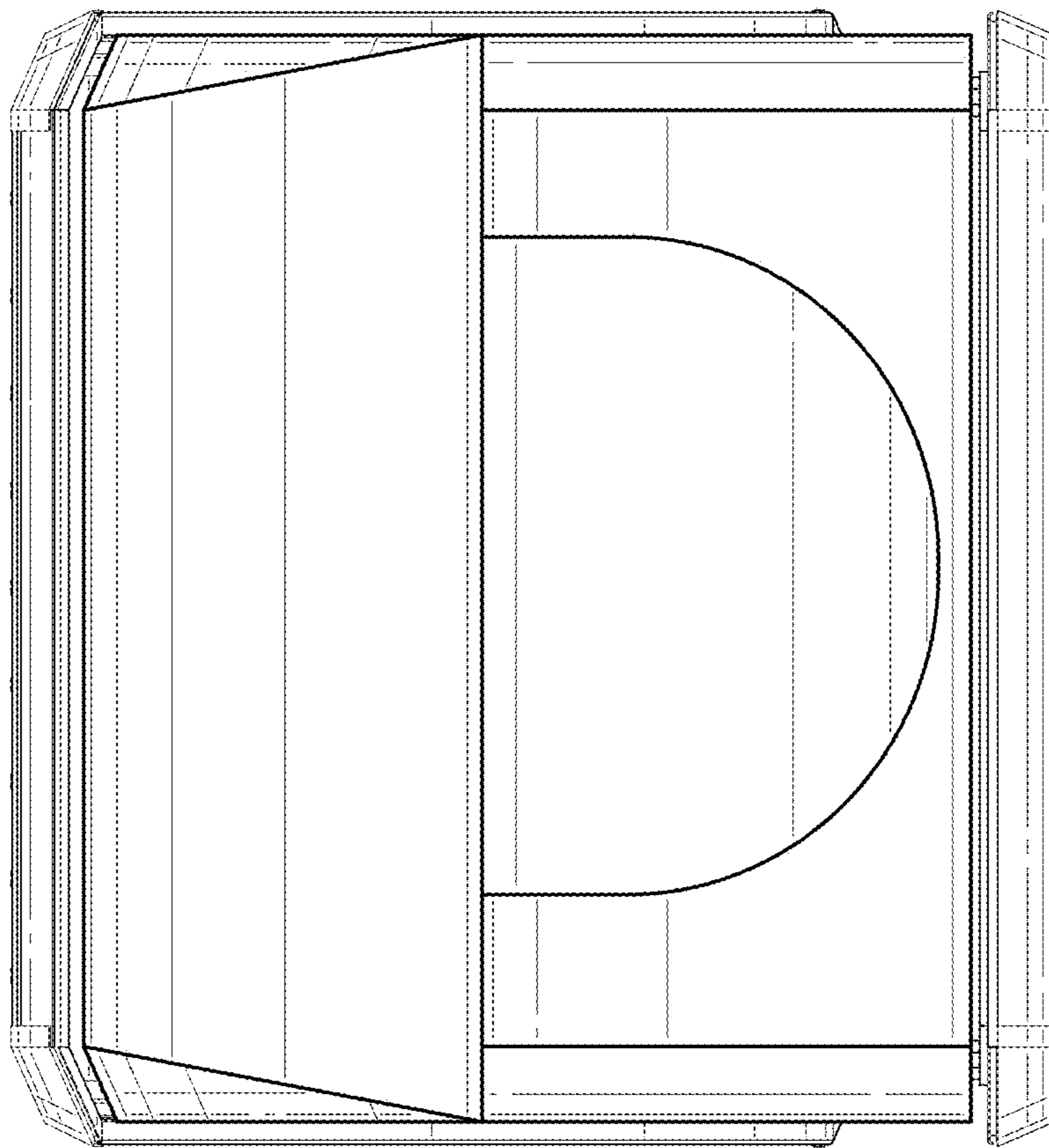


FIG. 4

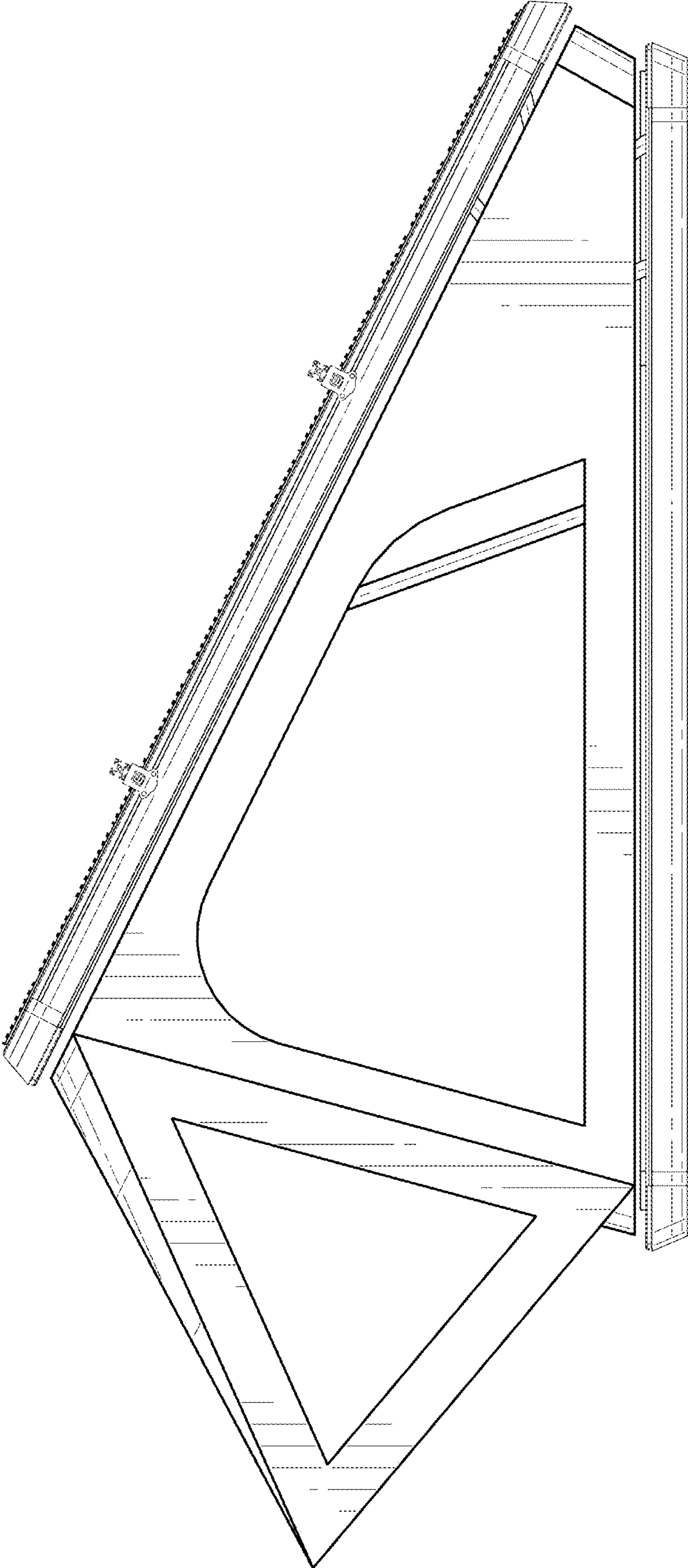


FIG. 5

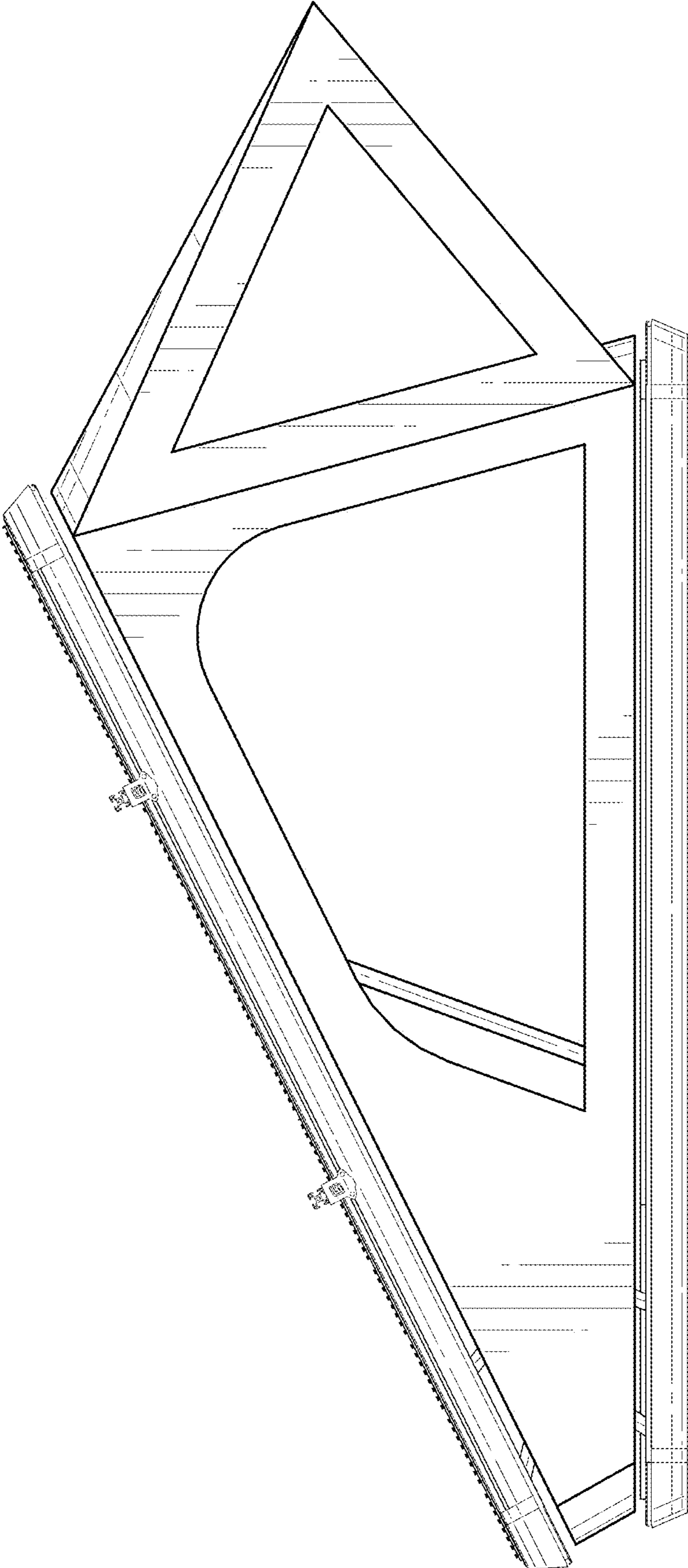


FIG. 6

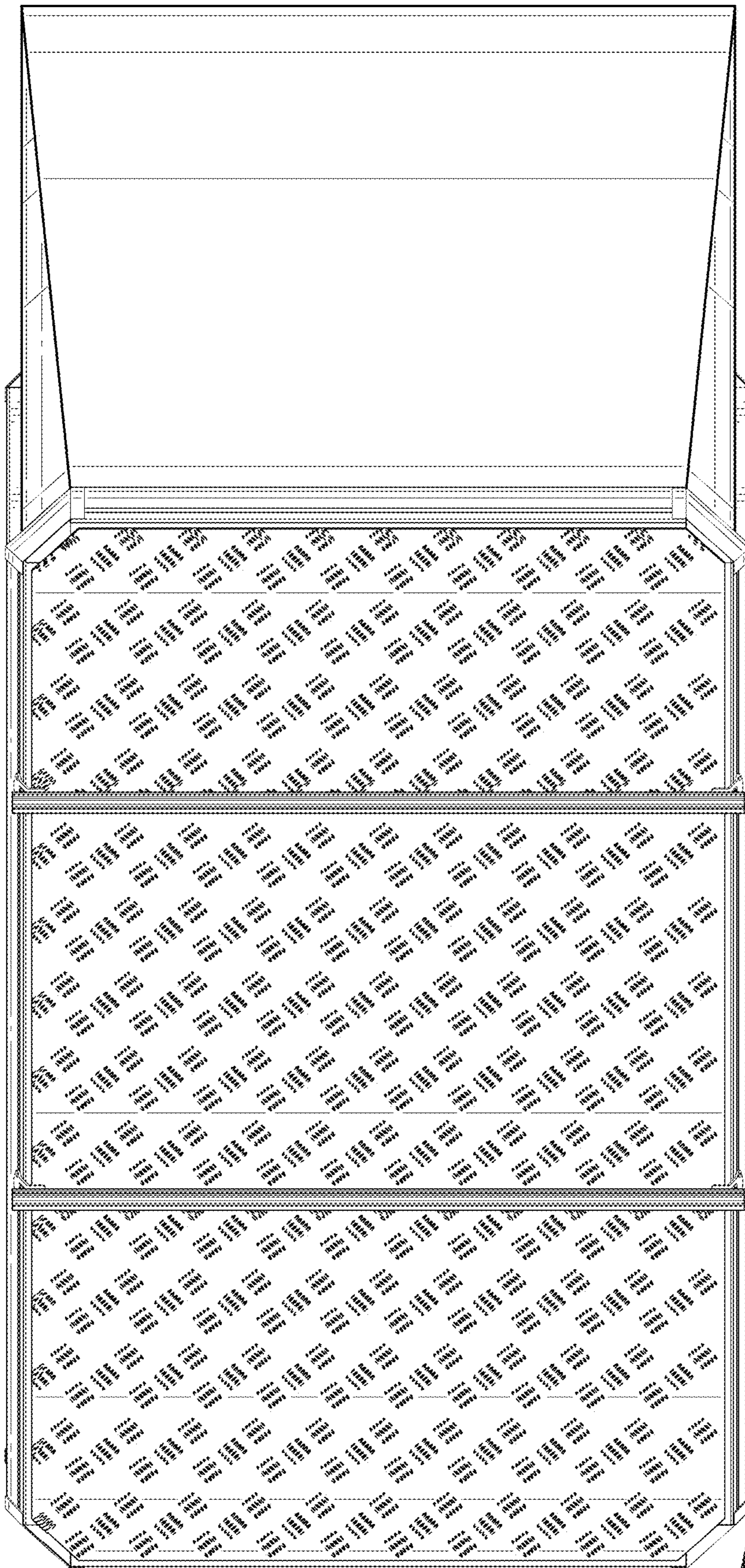


FIG. 7

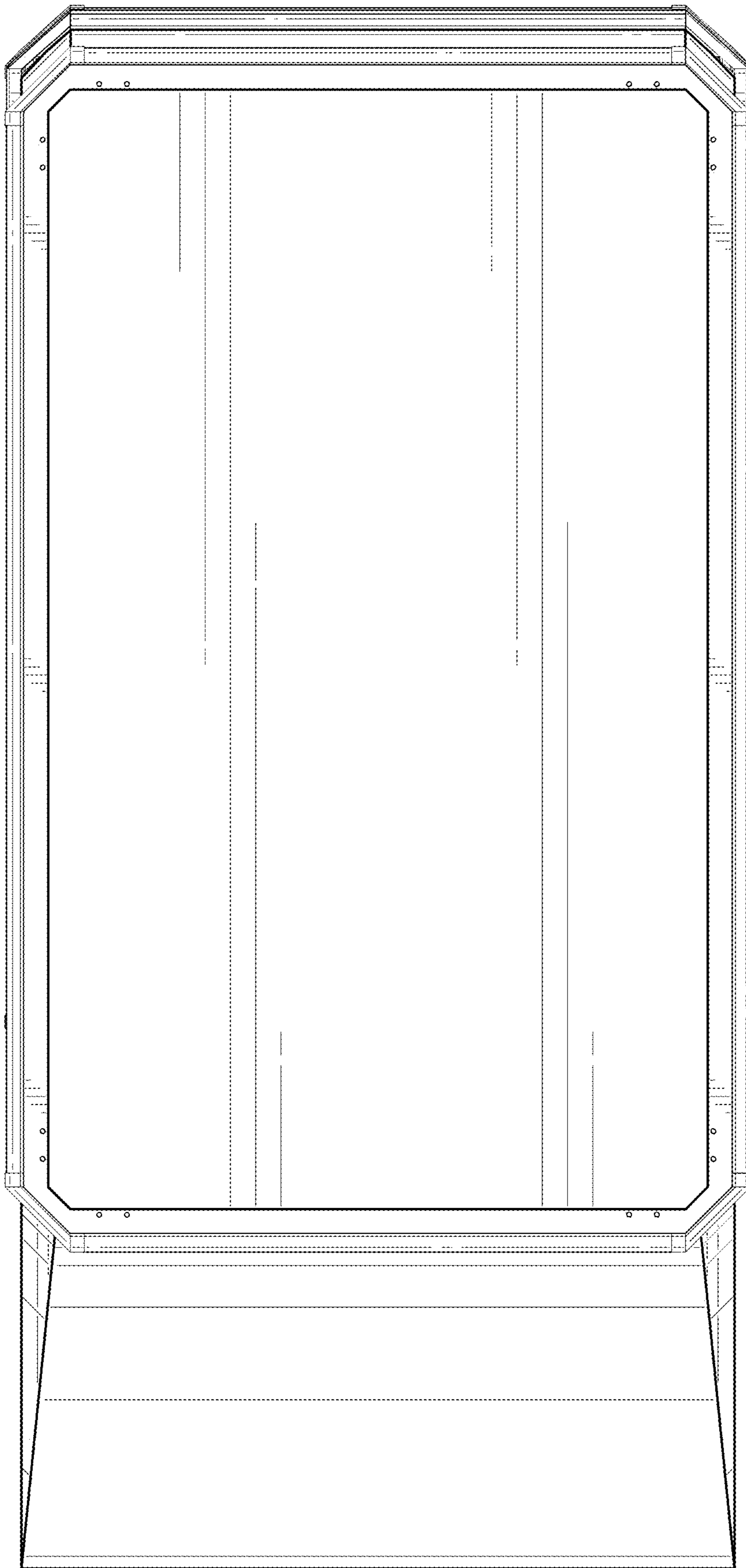


FIG. 8

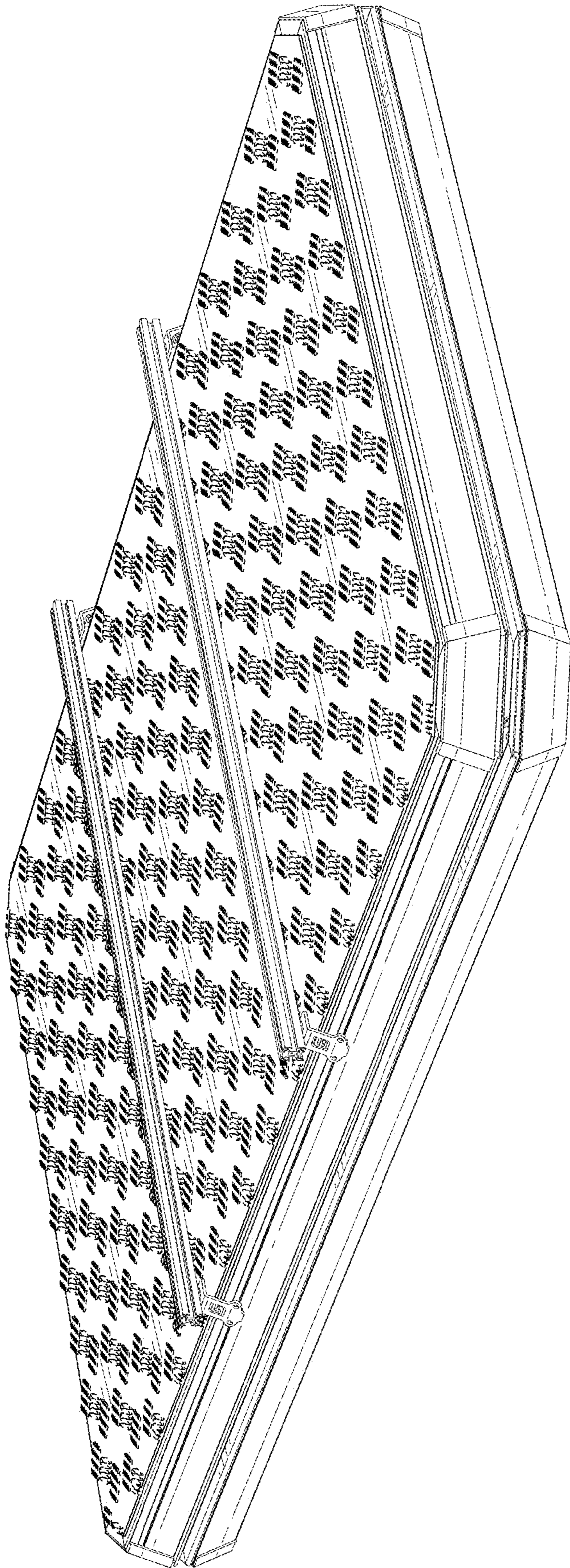


FIG. 9