



US00D984352S

(12) **United States Design Patent**
Mcarthur

(10) **Patent No.:** **US D984,352 S**

(45) **Date of Patent:** **** Apr. 25, 2023**

(54) **HYDROFOIL WATERCRAFT**

(71) Applicant: **Jerry Colin McArthur**, Pemberton
(CA)

(72) Inventor: **Jerry Colin McArthur**, Pemberton
(CA)

(73) Assignee: **UNI ELECTRIC WATERCRAFT
GROUP INC**, Pemberton (CA)

(**) Term: **15 Years**

(21) Appl. No.: **29/788,290**

(22) Filed: **Apr. 26, 2021**

(51) **LOC (14) Cl.** **12-06**

(52) **U.S. Cl.**
USPC **D12/309**

(58) **Field of Classification Search**
USPC D12/309, 316, 111, 107, 114, 117, 159,
D12/317, 306, 307, 52; D21/419, 424,
D21/427, 432, 521, 534-539, 674, 676,
D21/688, 690, 828, 663, 664, 666, 697;
D6/334, 335, 344, 348, 361, 369-371,
D6/373, 377, 381, 601, 708, 364;
D3/201

CPC . B62K 3/00; B62K 3/005; B62K 3/02; B62K
3/04; B62K 11/00; B62K 11/02; B62K
11/10; B62K 11/14; B62K 9/02; B62K
21/12; B62K 21/16; B62K 21/26; B62K
21/02; B62K 21/04; B62K 21/06; B62K
15/006; B62K 2201/04; B62K 25/04;
B62K 25/08; B62K 25/16; B62K 25/30;
B62K 19/02; B62K 19/08; B62K 19/16;
B63B 1/24; B63B 1/16; B63B 1/242;
B63H 16/20; B63H 2016/202; A47C
4/54; A47C 7/18; A47C 15/006; A47C
20/026; A47C 20/027; A47C 27/086;
A47C 27/12; A47C 27/14; A47C 1/02;
A47C 3/16; A41D

(Continued)

(56) **References Cited**

U.S. PATENT DOCUMENTS

2,890,671 A * 6/1959 Hobday B63B 1/28
114/275
3,456,609 A * 7/1969 Nott B63B 1/30
114/282

(Continued)

FOREIGN PATENT DOCUMENTS

CN 304553350 * 3/2018

OTHER PUBLICATIONS

The HydroFlyer: World's most advanced e-foil with detachable handlebars, available in StartupSelfie.com, announced Year 2021 [online], [site visited Jan. 23, 2023], Internet URL: <https://www.startupselfie.net/2021/05/21/hydroflyer-worlds-most-advanced-e-foil-detachable-handlebars/>.*

(Continued)

Primary Examiner — Darlington Ly
Assistant Examiner — D. Ryan Tisdale
(74) *Attorney, Agent, or Firm* — Dunlap Bennett & Ludwig, PLLC

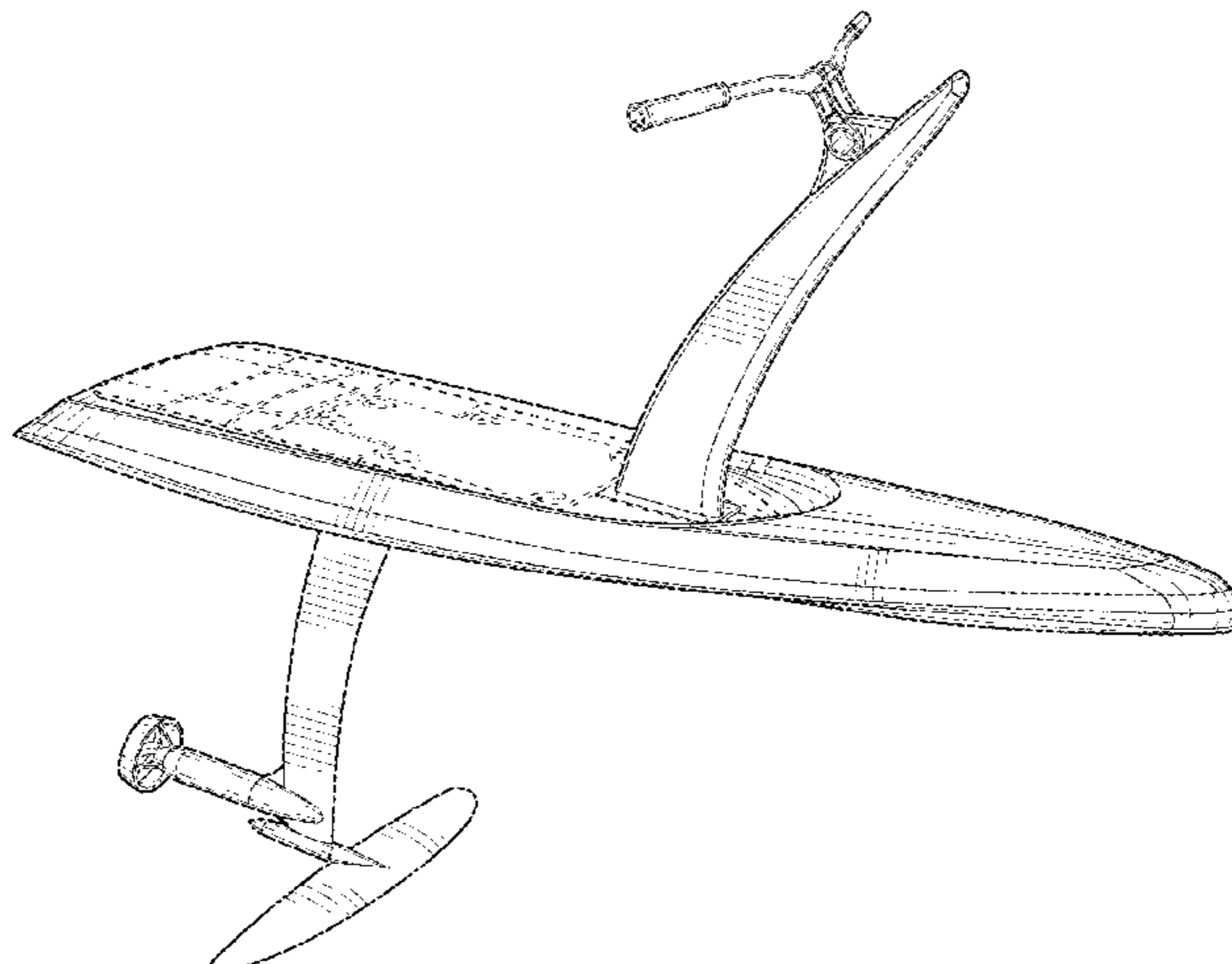
(57) **CLAIM**

The ornamental design for a hydrofoil watercraft, as shown and described.

DESCRIPTION

FIG. 1 is a perspective view of the hydrofoil watercraft showing my new design;
FIG. 2 is a left side elevation view thereof;
FIG. 3 is a right-side elevation view thereof;
FIG. 4 is a front elevation view thereof;
FIG. 5 is a rear elevation view thereof;
FIG. 6 is a top plan view thereof; and,
FIG. 7 is a bottom plan view thereof.

(Continued)



The broken lines shown in the drawings illustrate portions of the hydrofoil watercraft that form no part of the claimed design.

1 Claim, 5 Drawing Sheets

(58) Field of Classification Search

CPC 2400/10; A41D 1/02; A45F 3/22; Y10S 297/01; Y10S 297/02; Y10S 482/907; Y10S 5/911; Y10S 5/915

See application file for complete search history.

(56) References Cited

U.S. PATENT DOCUMENTS

4,715,304	A *	12/1987	Steinberg	B63B 32/64
				114/274
D297,825	S *	9/1988	Duff	D12/306
D341,352	S *	11/1993	Dawson	D12/305
D843,303	S *	3/2019	Leason	B63B 32/60
				D12/309

D857,606	S *	8/2019	Dane	D12/309
D883,177	S *	5/2020	Leason	
10,836,457	B2 *	11/2020	Geislinger	B60L 53/14
D910,528	S *	2/2021	Thomas	D12/307
D941,225	S *	1/2022	Kojima	D12/308
D969,052	S *	11/2022	Cruz Alonzo	B63B 34/40
				D12/306
2005/0130515	A1 *	6/2005	Erb	B63B 34/40
				441/72
2017/0349246	A1 *	12/2017	Tian	B63B 32/10

OTHER PUBLICATIONS

Bike on Water: Manta5 Hydrofoiler XE-1 E-Bike Review, available in GearJunkie.com, announced Year 2021 [online], [site visited Jan. 23, 2023], Internet URL: <https://gearjunkie.com/biking/manta5-hydrofoiler-xe-1-e-bike-review>.*

Riding waves with a human-powered hydrofoil, available in SurferToday.com, announced Year 2014 [online], [site visited Jan. 23, 2023], Internet URL: <https://www.surfertoday.com/surfing/riding-waves-with-a-human-powered-hydrofoil>.*

* cited by examiner

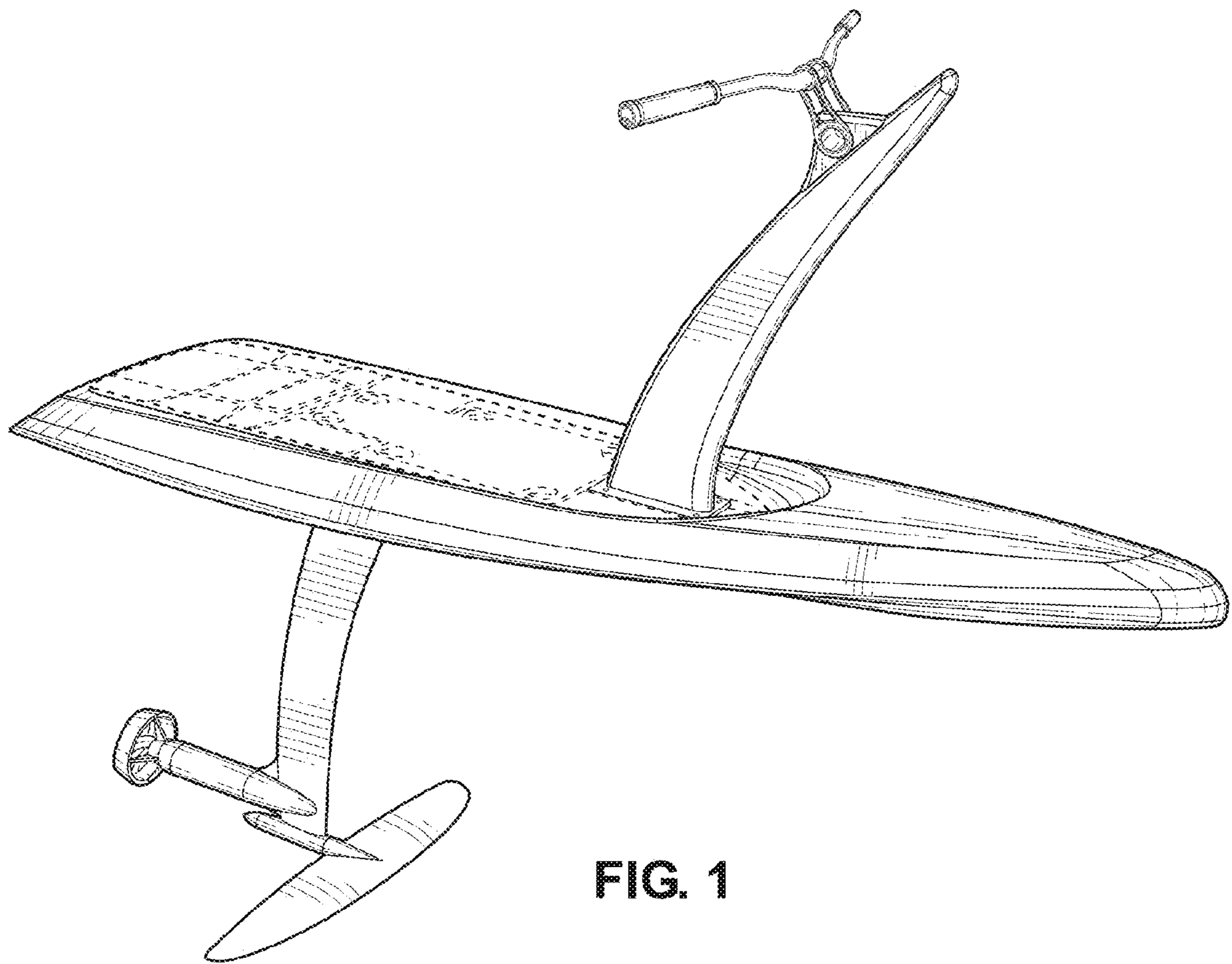


FIG. 1

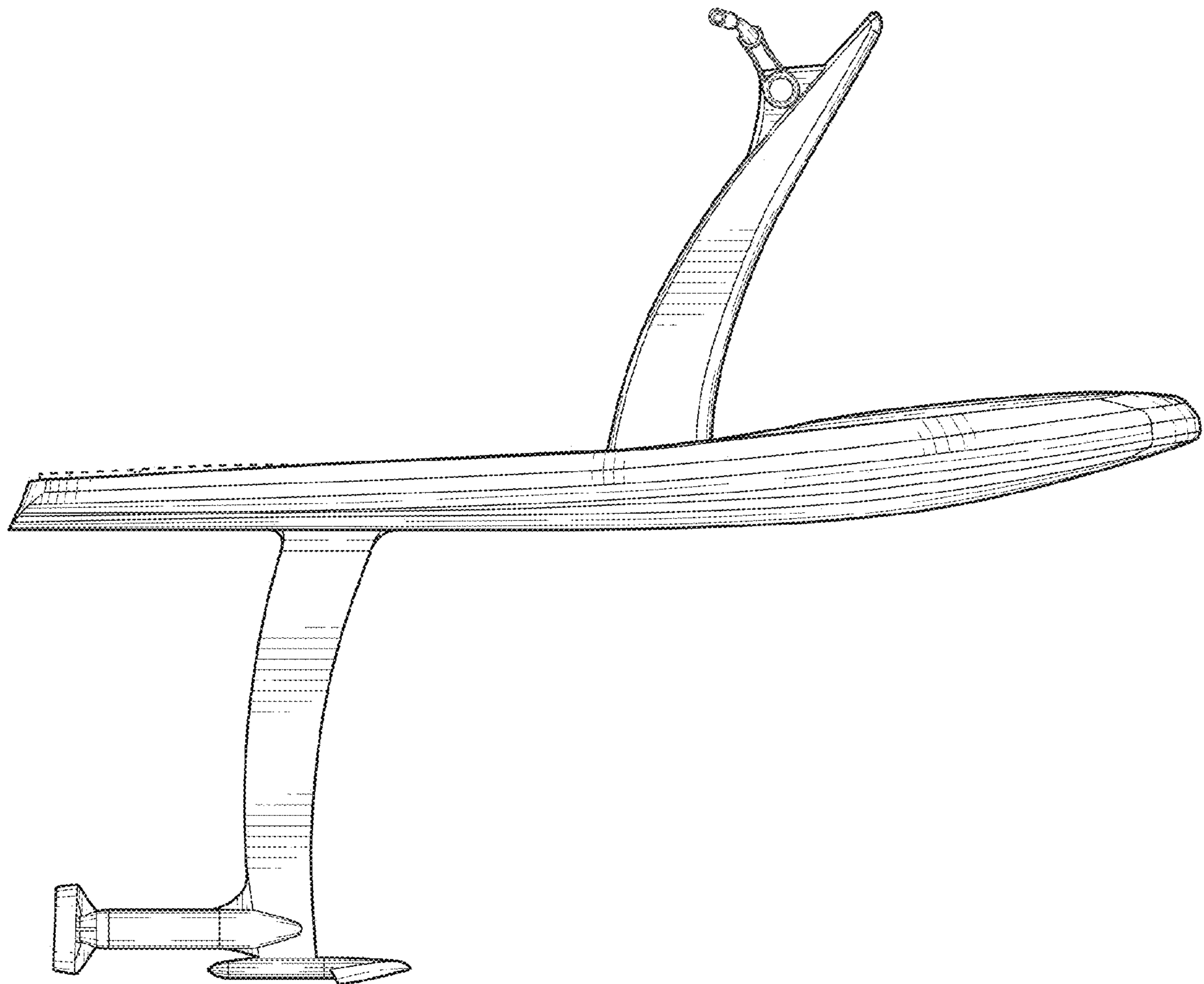


FIG. 2

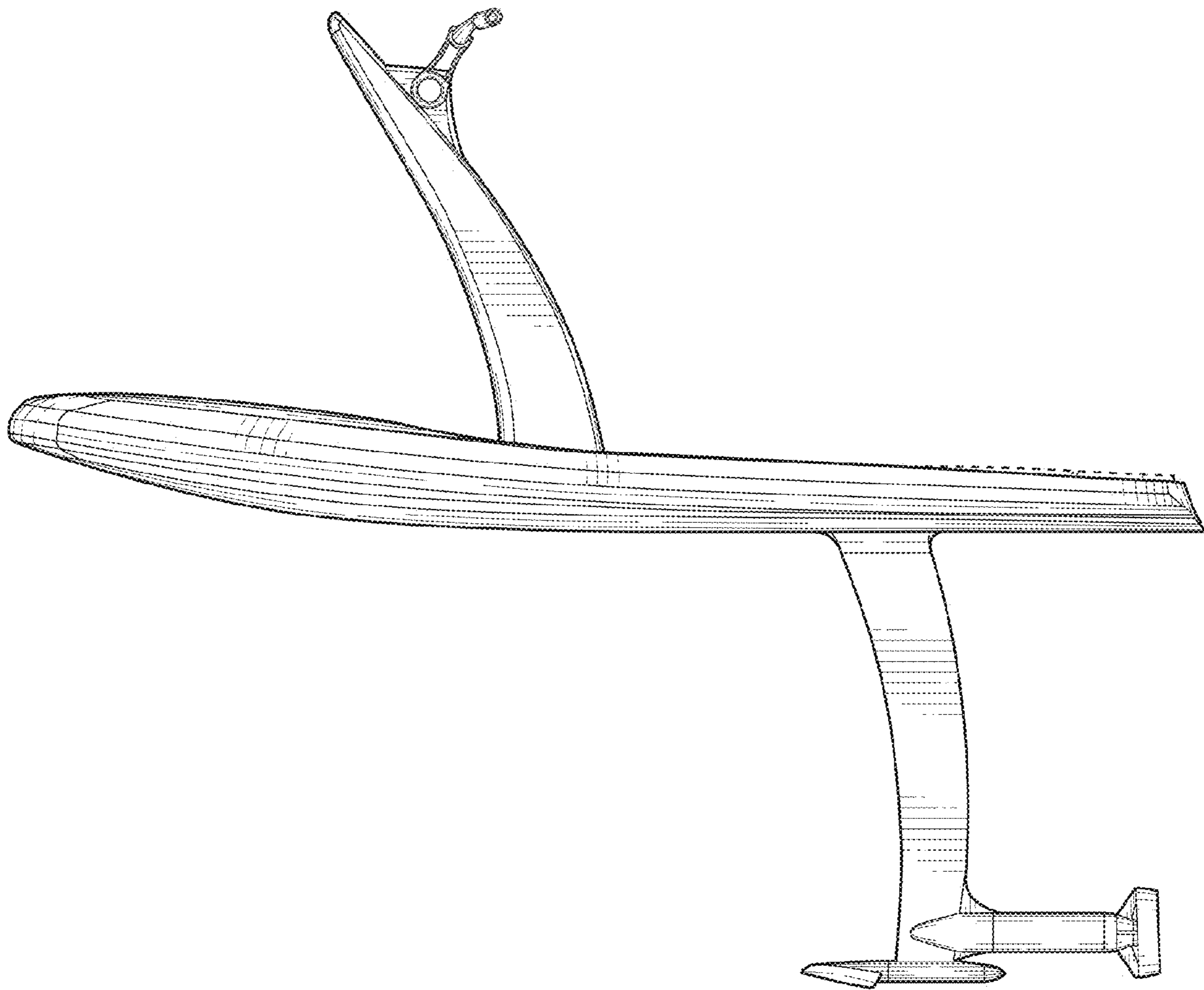


FIG. 3

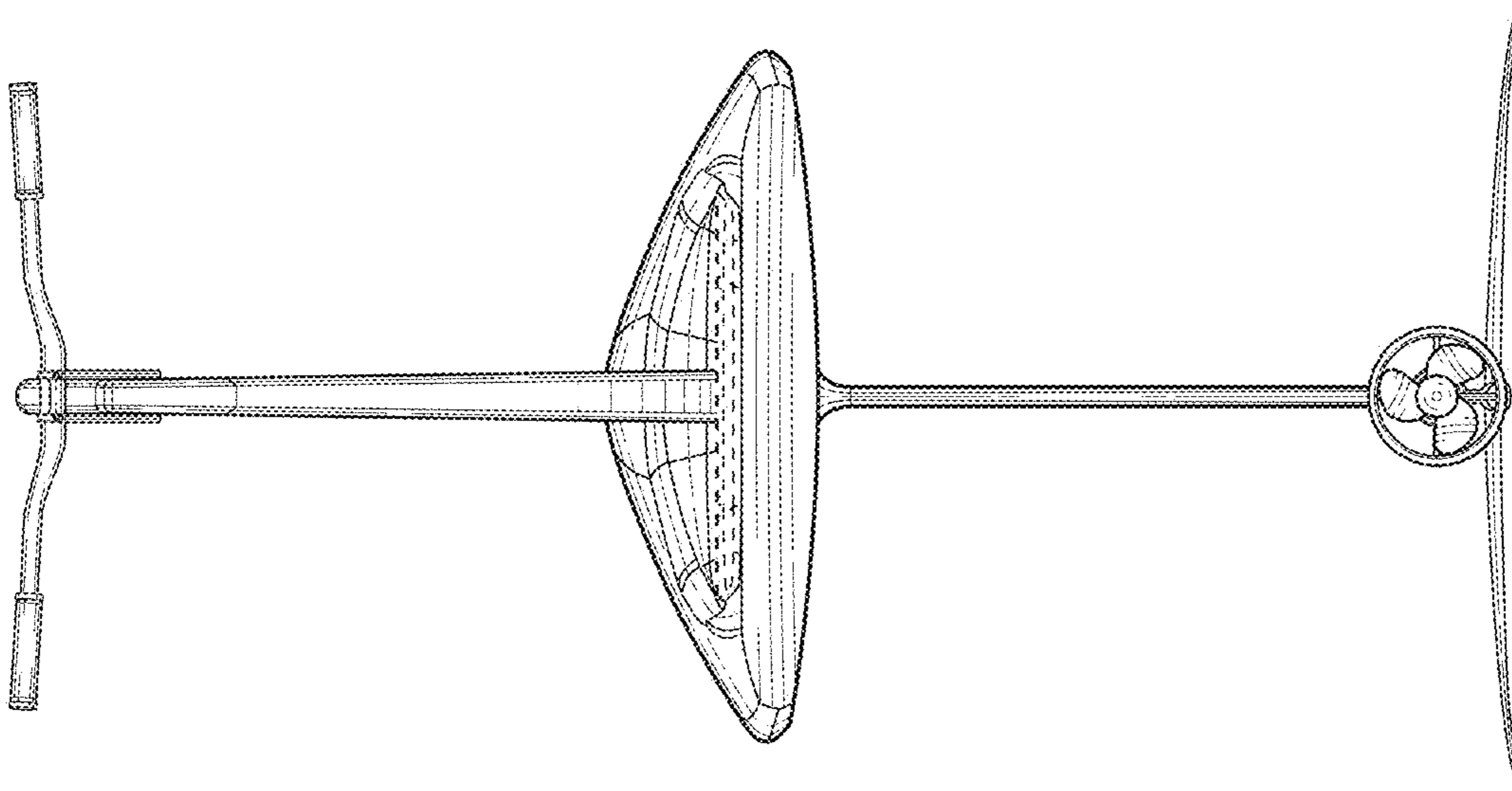


FIG. 5

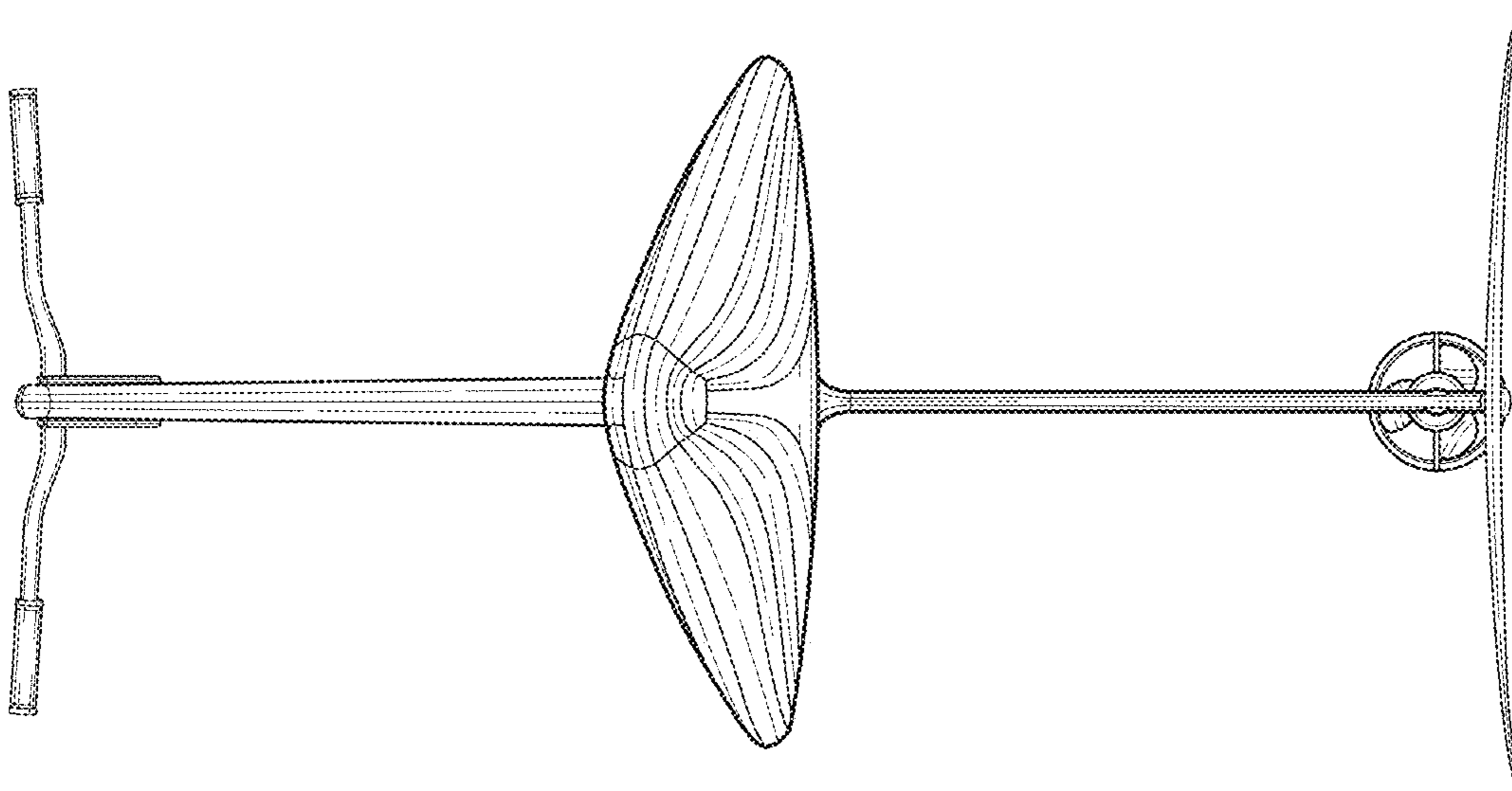


FIG. 4

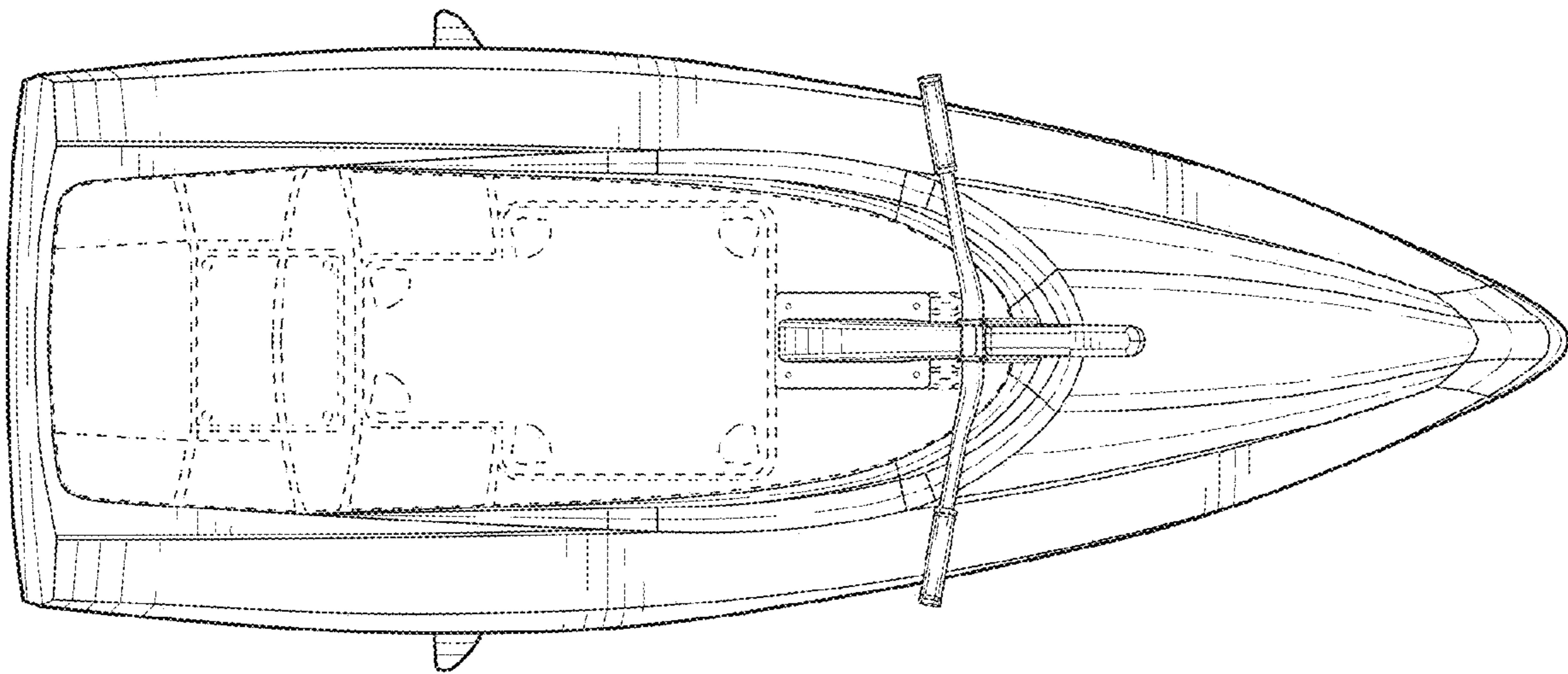


FIG. 6

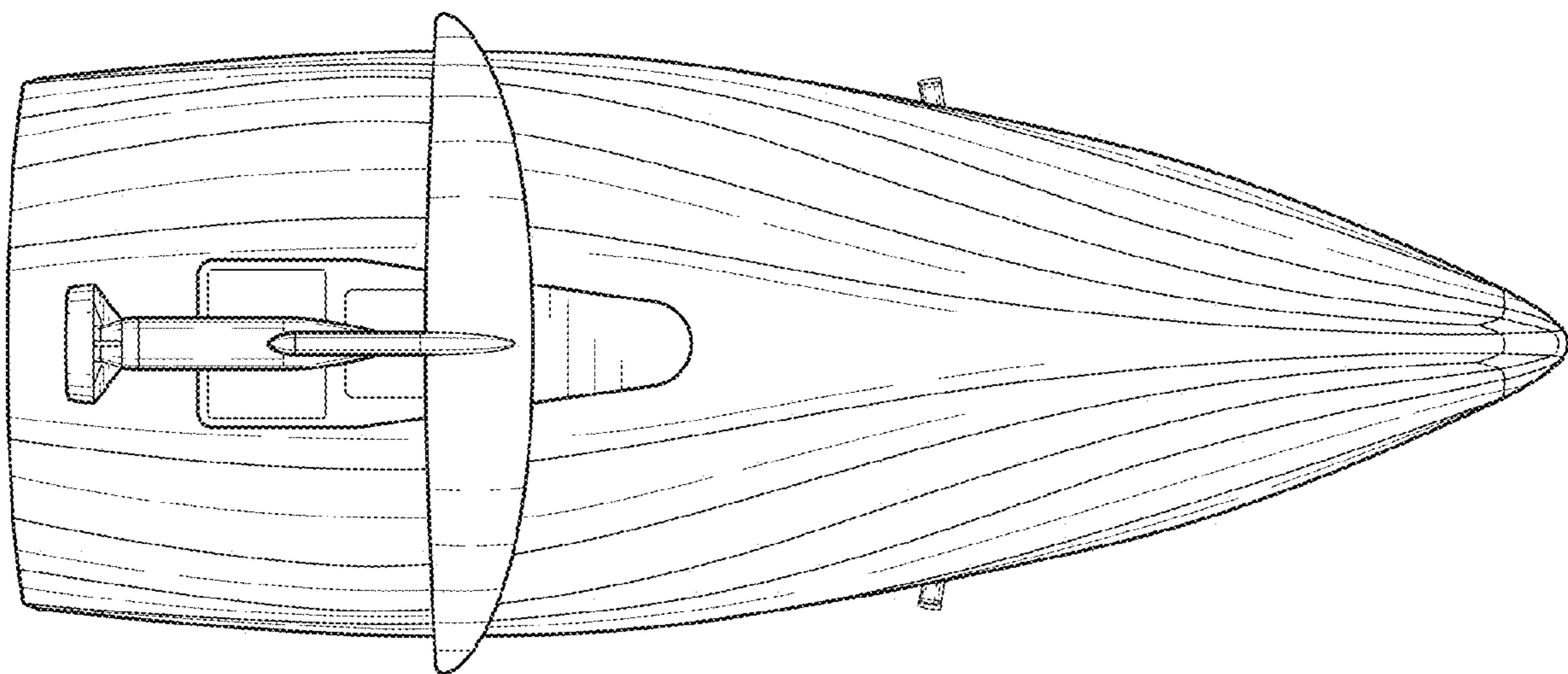


FIG. 7