



US00D984351S

(12) **United States Design Patent**  
**Mahajan et al.**

(10) **Patent No.:** **US D984,351 S**  
(45) **Date of Patent:** **\*\* Apr. 25, 2023**

(54) **FLUID RESERVOIR**

(71) Applicant: **PACCAR Inc**, Bellevue, WA (US)

(72) Inventors: **Vaibhav Pradip Mahajan**, Kirkland, WA (US); **Mike B. Adams**, Seattle, WA (US); **Andrew Brady**, Lynnwood, WA (US)

(73) Assignee: **PACCAR Inc**, Bellevue, WA (US)

(\*\*) Term: **15 Years**

(21) Appl. No.: **29/809,750**

(22) Filed: **Sep. 29, 2021**

(51) **LOC (14) Cl.** ..... **12-16**

(52) **U.S. Cl.**  
USPC ..... **D12/218**

(58) **Field of Classification Search**  
USPC ..... D12/218, 219, 220; D23/202, 203, 204, D23/205, 206; D15/1, 5, 17, 28  
CPC ..... B60P 1/00; B60P 3/00; B60P 7/00; B60T 5/00; B60T 8/344; B60T 11/26; B60T 13/10; B60T 13/24; B60T 13/58; B60K 11/02; B60K 15/03; B60K 15/04; B63H 25/30; B63H 20/00; B63H 20/08; B63H 5/00; B63H 21/00; B60H 20/12; B60H 20/32; B60H 25/00; B60H 25/06  
See application file for complete search history.

(56) **References Cited**

**U.S. PATENT DOCUMENTS**

D375,288	S	*	11/1996	Tanaka	.....	D12/400
5,913,295	A	*	6/1999	Sadr	.....	F02M 35/14
						55/385.3
D435,503	S	*	12/2000	Gukeisen	.....	D12/218
D551,153	S	*	9/2007	Oury	.....	D12/218
7,552,839	B2	*	6/2009	Padget	.....	F01P 11/029
						73/290 V
D604,686	S	*	11/2009	Yan	.....	D12/218
8,069,884	B1	*	12/2011	Gray-Woods	.....	F16N 19/00
						239/69

D698,823	S	*	2/2014	Hill	.....	D15/5
D698,824	S	*	2/2014	Hill	.....	D15/5
D698,825	S	*	2/2014	Hill	.....	D15/5
D698,826	S	*	2/2014	Hill	.....	D15/5
D698,827	S	*	2/2014	Hill	.....	D15/5
D698,828	S	*	2/2014	Hill	.....	D15/5

(Continued)

**OTHER PUBLICATIONS**

Washer Fluid Reservoir, Mar. 16, 2016, Amazon [online], [Site Visit Nov. 22, 2022], URL: <https://www.amazon.com/Replacement-Washer-Fluid-Reservoir-Dodge/dp/B07PR55MCP> (Year: 2016) (Year: 2016).\*

(Continued)

*Primary Examiner* — Calvin E Vansant

*Assistant Examiner* — Giang Hoang Tran

(74) *Attorney, Agent, or Firm* — Seed IP Law Group LLP

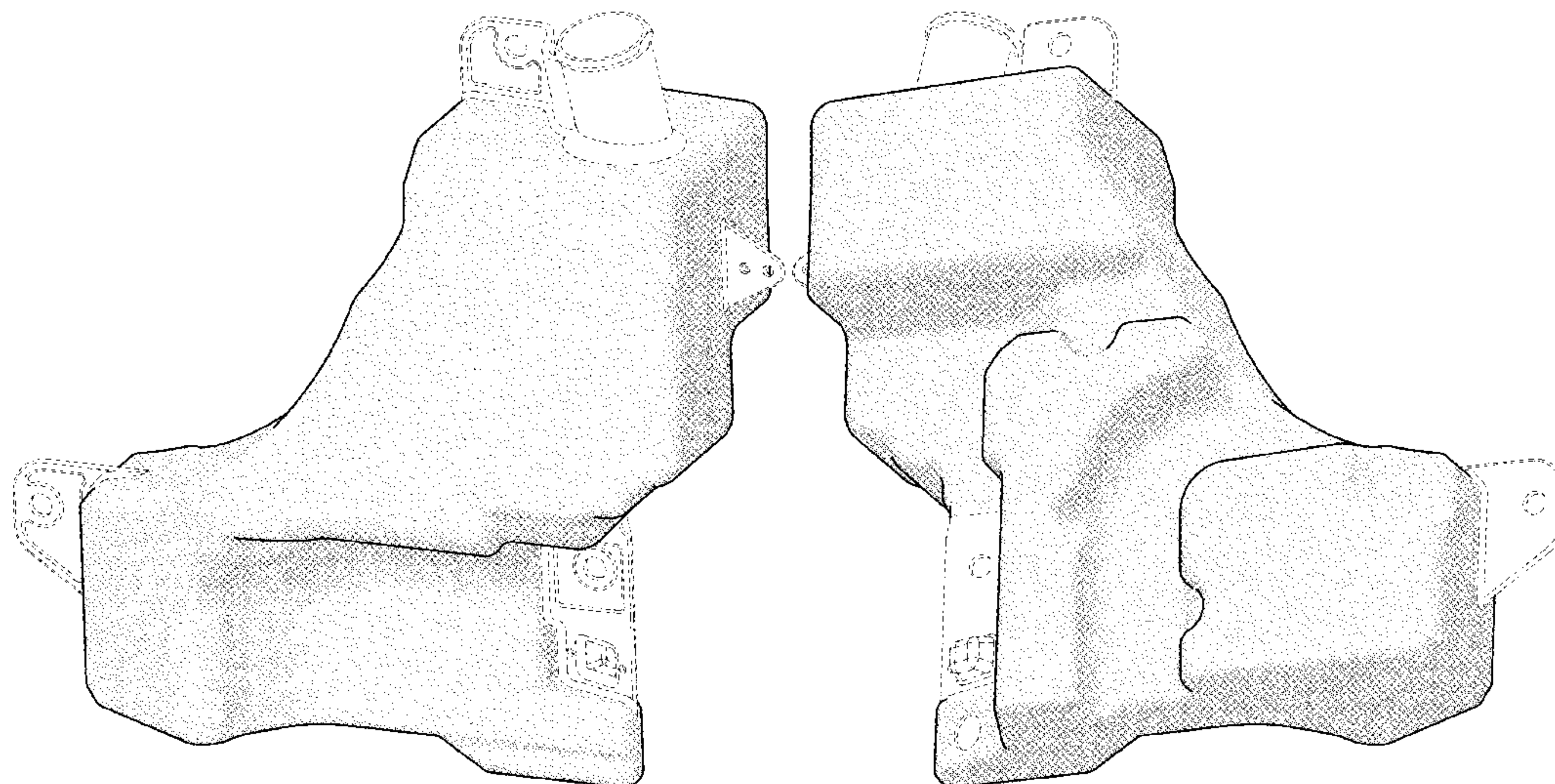
(57) **CLAIM**

The ornamental design for a fluid reservoir, as shown and described.

**DESCRIPTION**

FIG. 1 is a top perspective view of a fluid reservoir, showing an embodiment of our new design.  
FIG. 2 is a bottom perspective view thereof.  
FIG. 3 is a front elevational view thereof.  
FIG. 4 is a rear elevational view thereof.  
FIG. 5 is a left side elevational view thereof.  
FIG. 6 is a right side elevational view thereof.  
FIG. 7 is a top plan view thereof; and,  
FIG. 8 is a bottom plan view thereof.  
Stippling in the drawings represent the three-dimensional contours of the design, and is not intended to indicate surface decoration. The broken lines shown in the drawings depict portions of the fluid reservoir that form no part of the claimed design.

**1 Claim, 8 Drawing Sheets**



(56)

**References Cited**

U.S. PATENT DOCUMENTS

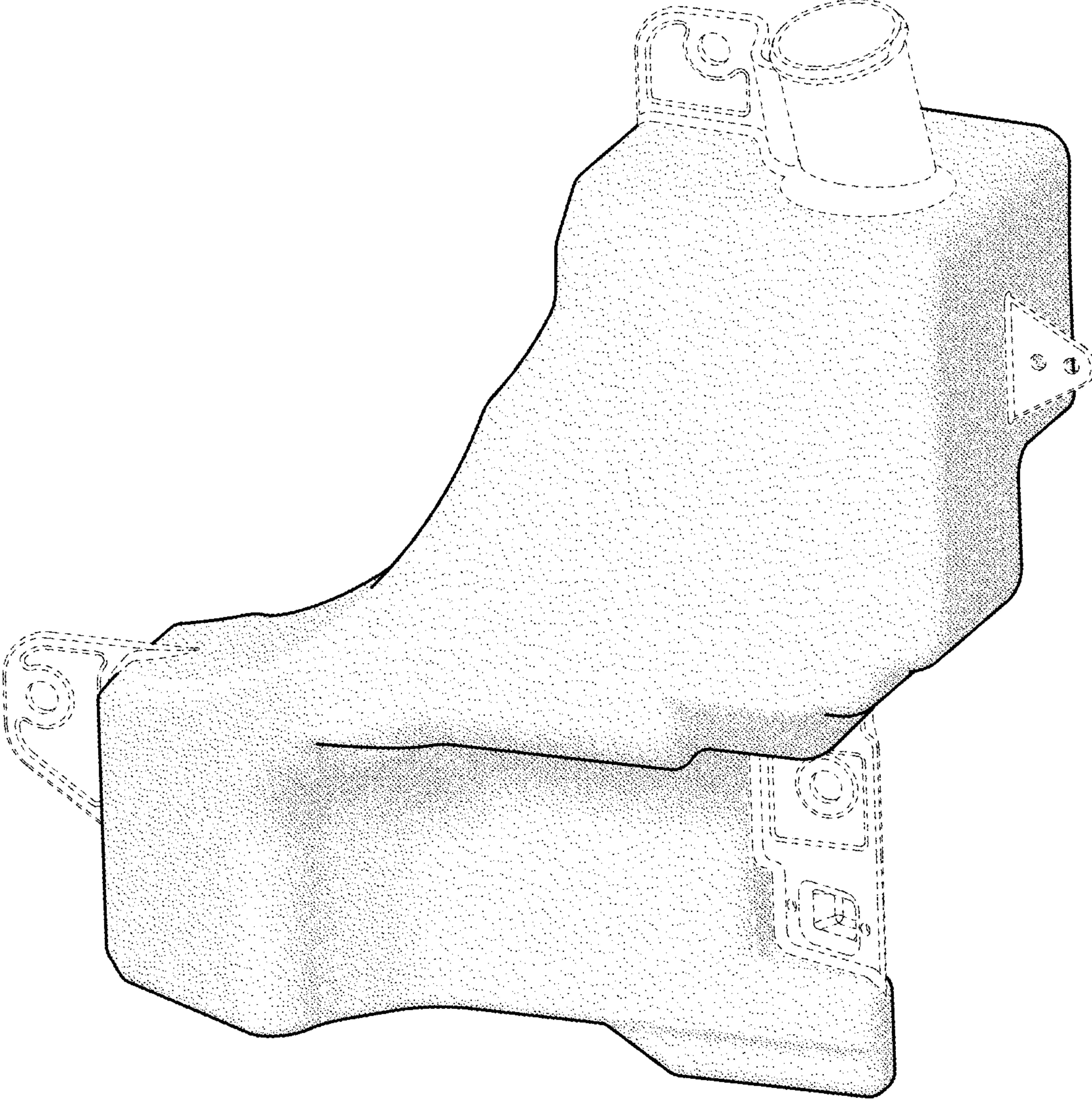
D728,632 S \* 5/2015 Klassen ..... D15/28  
 D728,633 S \* 5/2015 Klassen ..... D15/28  
 D775,238 S \* 12/2016 Roemer ..... D15/28  
 9,840,145 B2 \* 12/2017 Kostrominov ..... B01D 35/30  
 D933,573 S \* 10/2021 Mahajan ..... D12/218  
 D935,375 S \* 11/2021 Fellman ..... D12/218  
 2004/0238247 A1 \* 12/2004 Ohashi ..... B60S 1/50  
 180/69.2  
 2009/0134167 A1 \* 5/2009 Chen ..... G01F 23/74  
 220/500  
 2011/0308246 A1 \* 12/2011 Neumann ..... B60T 17/06  
 60/585  
 2013/0333960 A1 \* 12/2013 Kasperek ..... B60K 15/0409  
 220/288  
 2019/0184956 A1 \* 6/2019 Motegi ..... G01F 23/76

OTHER PUBLICATIONS

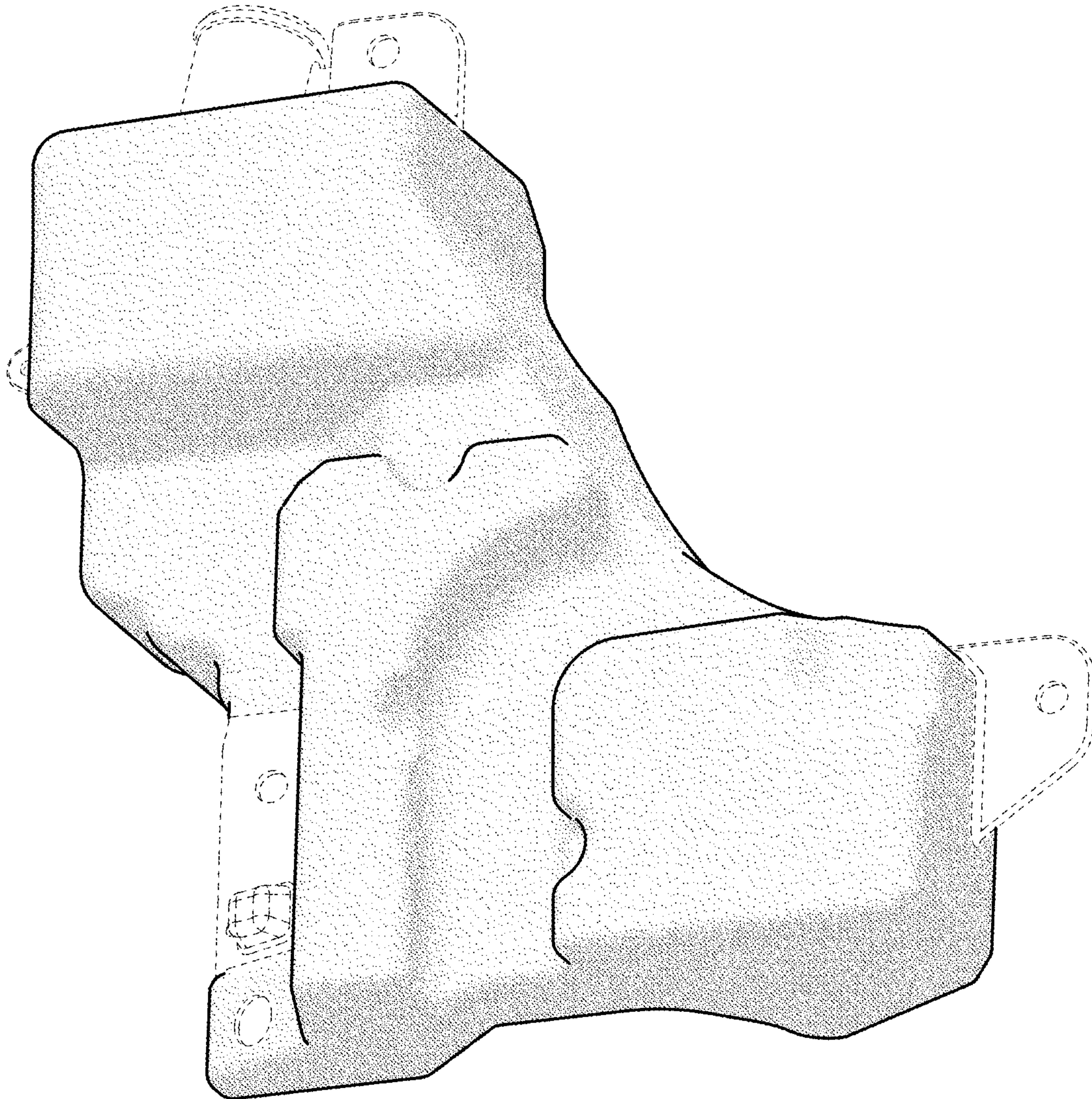
Washer Fluid Reservoir, Jul. 25, 2022, Amazon [online], [Site Visit Nov. 22, 2022], URL: [https://www.amazon.com/Passport-Reservoir-Replacement-HO1288228-76841TG7A02-PFM/dp/B0B7KGWF1R/ref=sr\\_1\\_99?keywords=washer+fluid+reservoir+replacement&qid=1669132135&sr=8-99](https://www.amazon.com/Passport-Reservoir-Replacement-HO1288228-76841TG7A02-PFM/dp/B0B7KGWF1R/ref=sr_1_99?keywords=washer+fluid+reservoir+replacement&qid=1669132135&sr=8-99) (Year: 2022) (Year: 2022).\*

\* cited by examiner



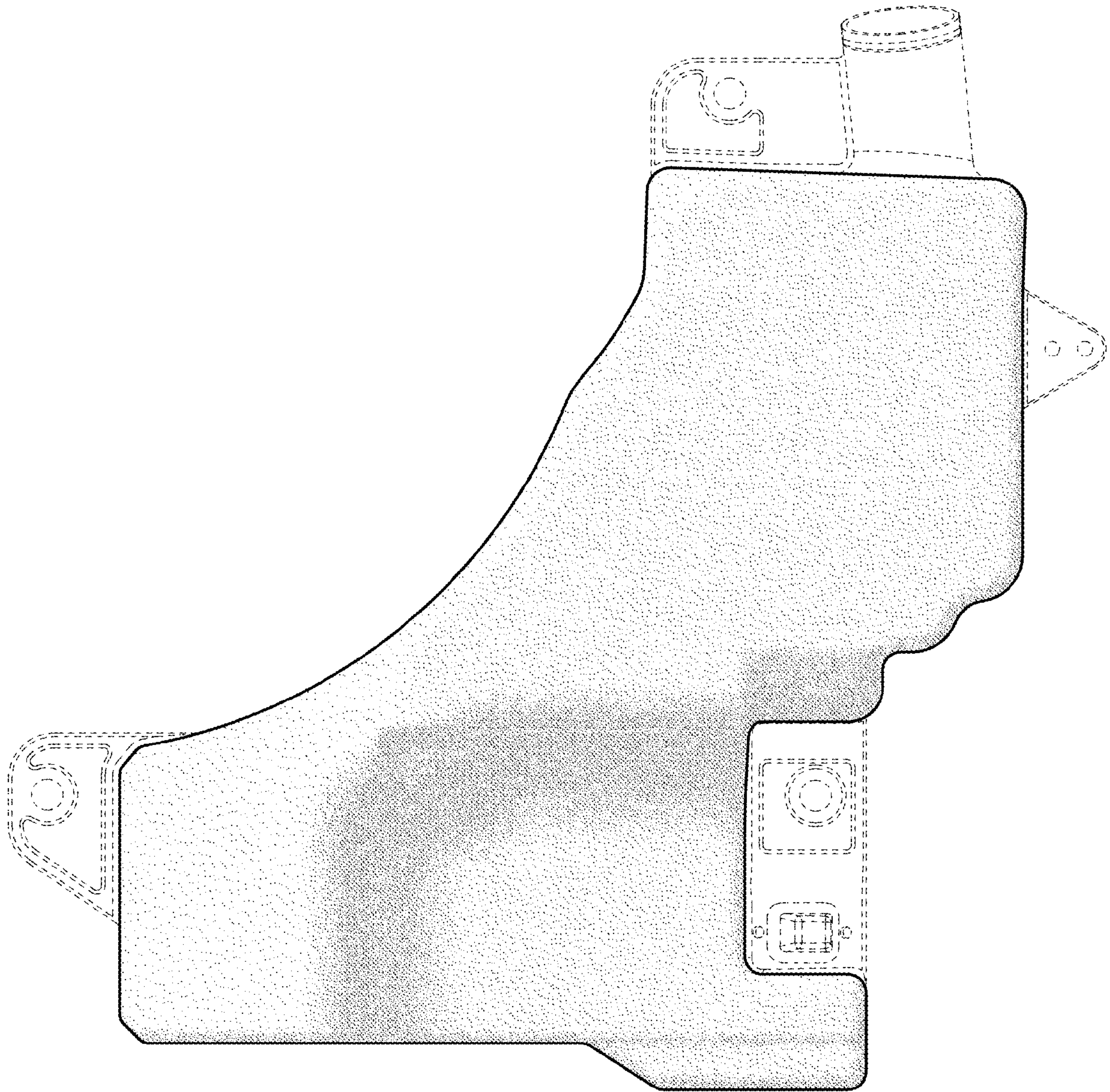


**FIG. 1**

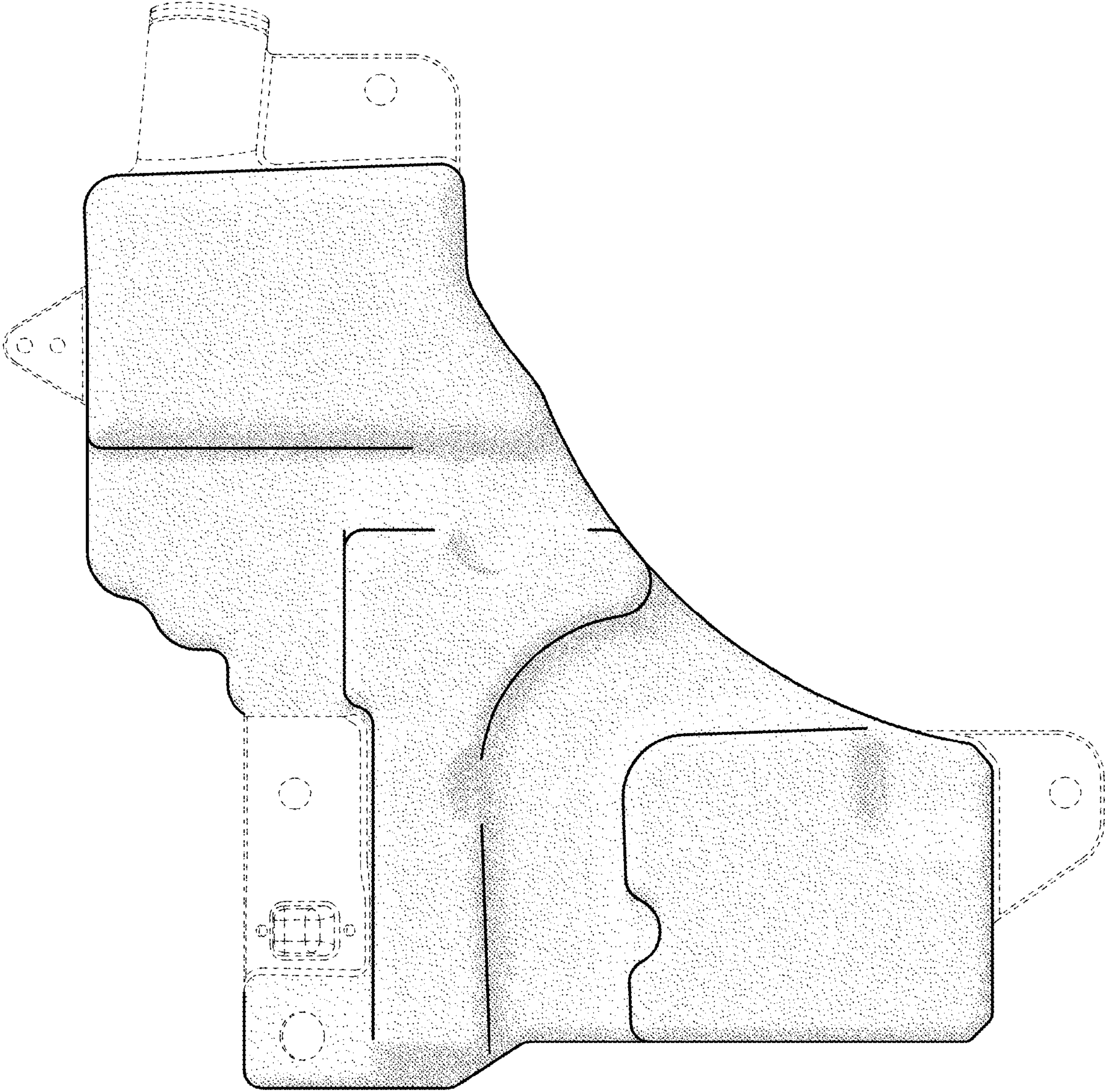


***FIG. 2***



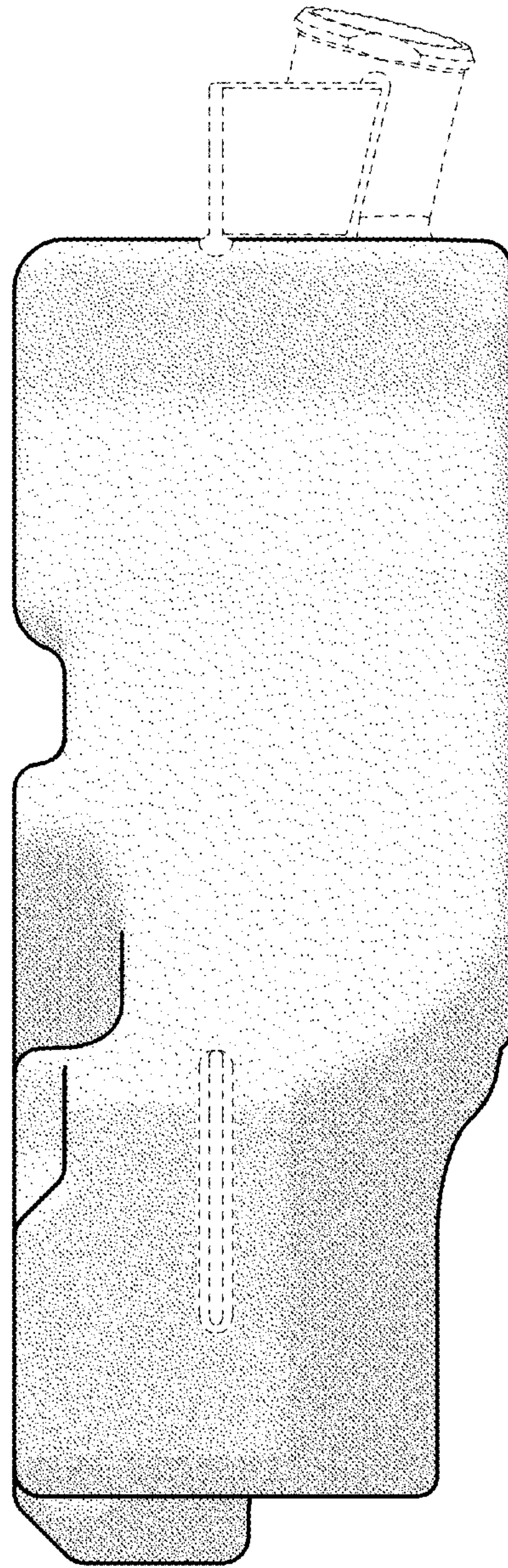


***FIG. 3***

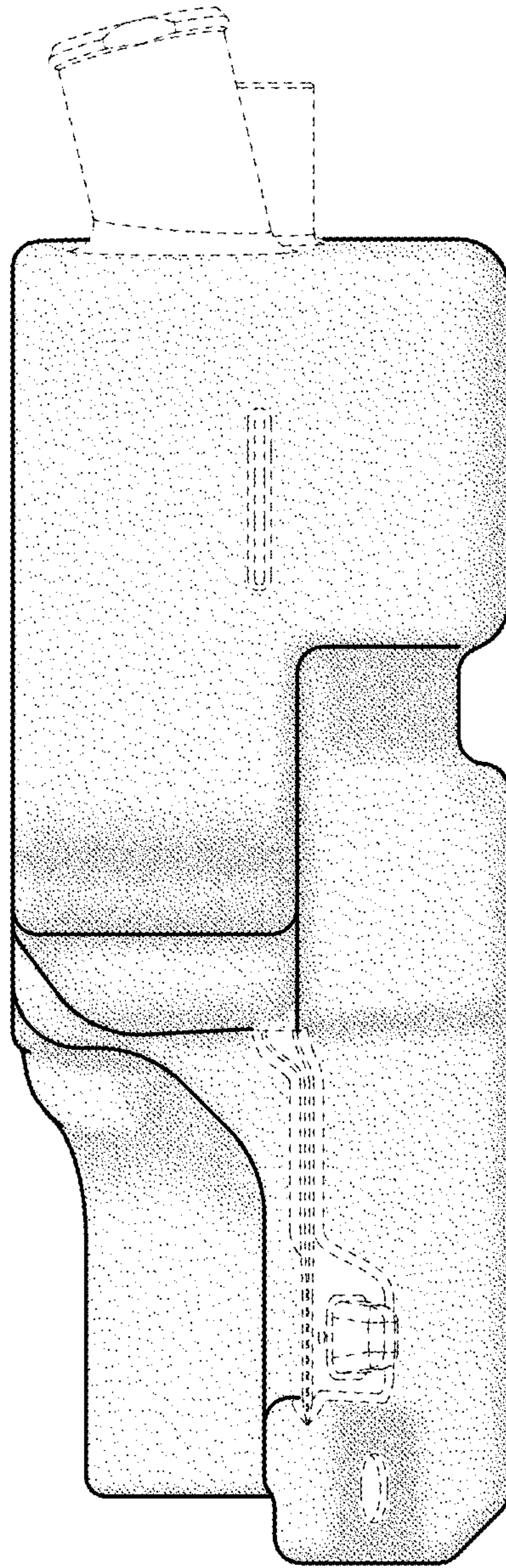


**FIG. 4**



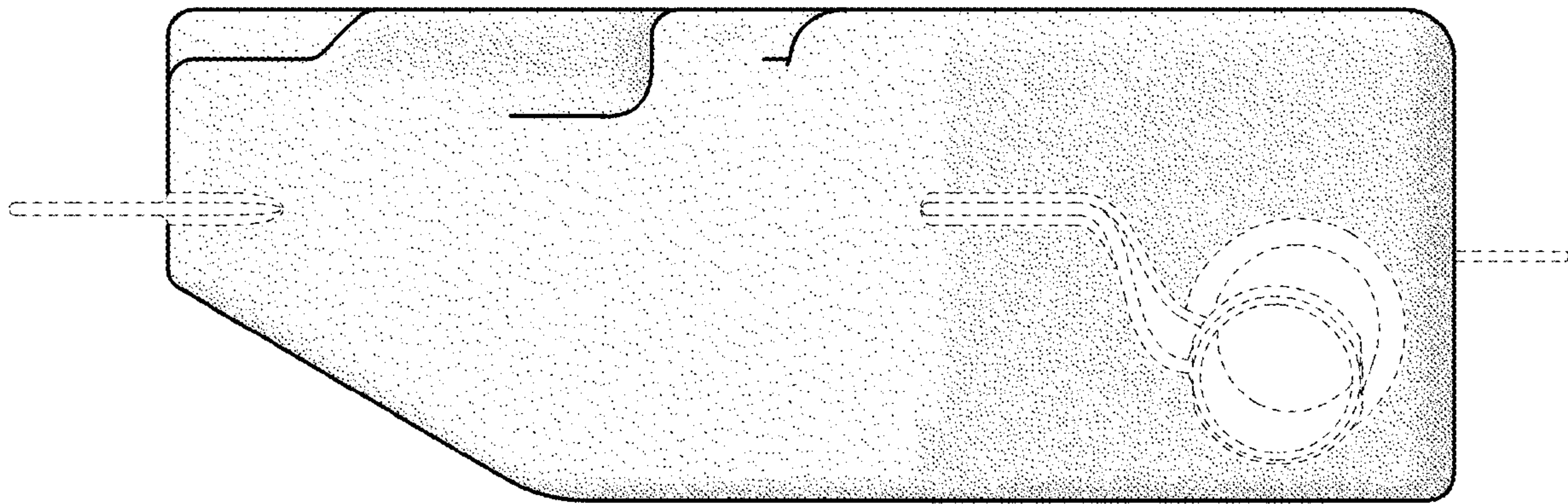


***FIG. 5***

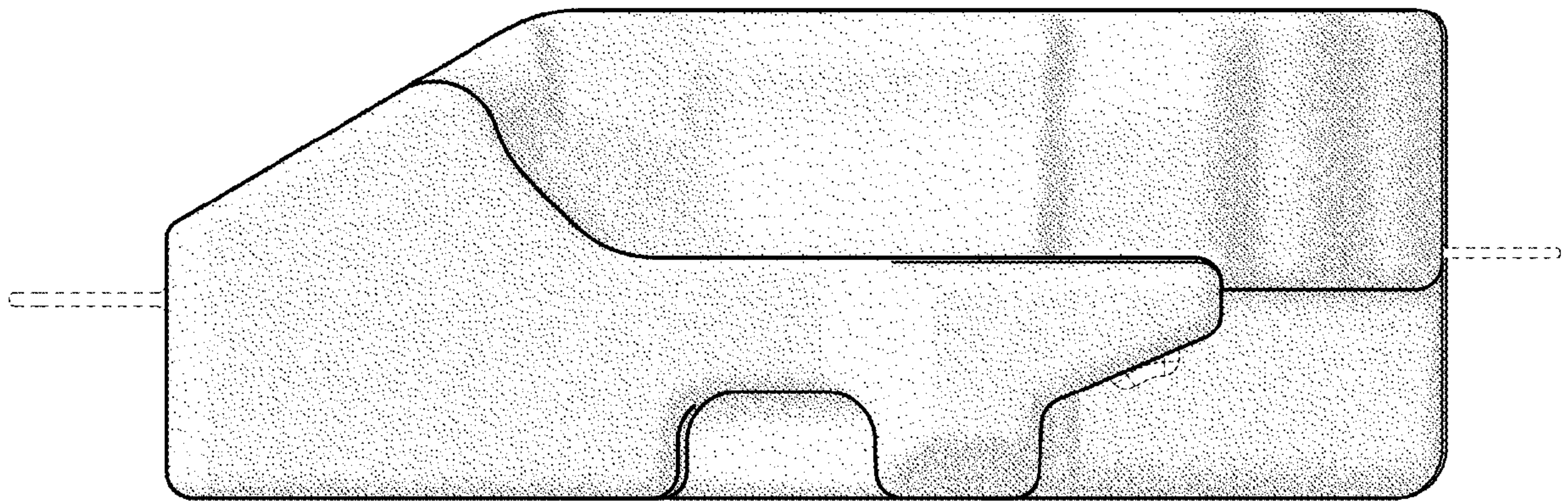


**FIG. 6**





***FIG. 7***



***FIG. 8***