



US00D984350S

(12) **United States Design Patent** (10) **Patent No.:** **US D984,350 S**  
**Anscheidt et al.** (45) **Date of Patent:** **\*\* Apr. 25, 2023**

(54) **WHEEL RIM ACCESSORY**  
(71) Applicant: **Bugatti International S.A.**,  
Luxembourg (LU)  
(72) Inventors: **Achim Anscheidt**, Berlin (DE); **Ahmet Dagguen**, Wolfsburg (DE); **Frank Heyl**, Calberlah (DE); **Nils Sajonz**, Wolfsburg (DE)  
(73) Assignee: **Bugatti International S.A.**,  
Luxembourg (LU)  
(\*\*) Term: **15 Years**

D269,783 S \* 7/1983 Heater ..... D15/5  
D322,075 S \* 12/1991 Jennings ..... D15/5  
D370,682 S \* 6/1996 Jennings ..... D15/5  
5,573,095 A \* 11/1996 Houters ..... F16D 35/023  
29/889.5  
D483,467 S \* 12/2003 Horng ..... D23/379  
6,834,501 B1 \* 12/2004 Vrbas ..... F04D 17/12  
123/562  
D574,077 S \* 7/2008 Horng ..... D23/379  
D577,807 S \* 9/2008 Kenyon ..... D23/379  
D630,721 S \* 1/2011 Kenyon ..... D23/379  
D744,923 S \* 12/2015 Polka ..... D12/204  
D821,564 S \* 6/2018 Conrad ..... D23/413  
D848,485 S \* 5/2019 Kurokawa ..... D15/5  
D860,427 S \* 9/2019 Cayton ..... D23/370

(Continued)

(21) Appl. No.: **29/776,666**  
(22) Filed: **Mar. 31, 2021**

(30) **Foreign Application Priority Data**

Oct. 2, 2020 (EM) ..... 008193601  
Oct. 2, 2020 (EM) ..... 008193809

(51) **LOC (14) Cl.** ..... **12-16**  
(52) **U.S. Cl.**  
USPC ..... **D12/213**

(58) **Field of Classification Search**  
USPC ..... D15/5, 1, 2, 3, 4; D23/379, 413;  
D12/204, 206, 207, 208, 210, 213  
CPC ..... F01P 5/02; F01P 7/048; F01P 2050/22;  
F01P 2050/24; F01P 2070/30; F01P  
2070/50; B60B 7/063; B60B 7/04; B60B  
7/061  
See application file for complete search history.

(56) **References Cited**

**U.S. PATENT DOCUMENTS**

1,604,877 A \* 10/1926 Burckhalter ..... F01P 5/02  
416/91  
4,257,501 A \* 3/1981 Woods ..... F01P 7/042  
192/82 T

**OTHER PUBLICATIONS**

Rotiform AeroDisc—Gloss Black <https://www.offset.com/products/rotiform-aerodisc-black> retrieved on Dec. 7, 2022 (Year: 2022).\*

(Continued)

*Primary Examiner* — Ania Aman

(74) *Attorney, Agent, or Firm* — Blank Rome LLP

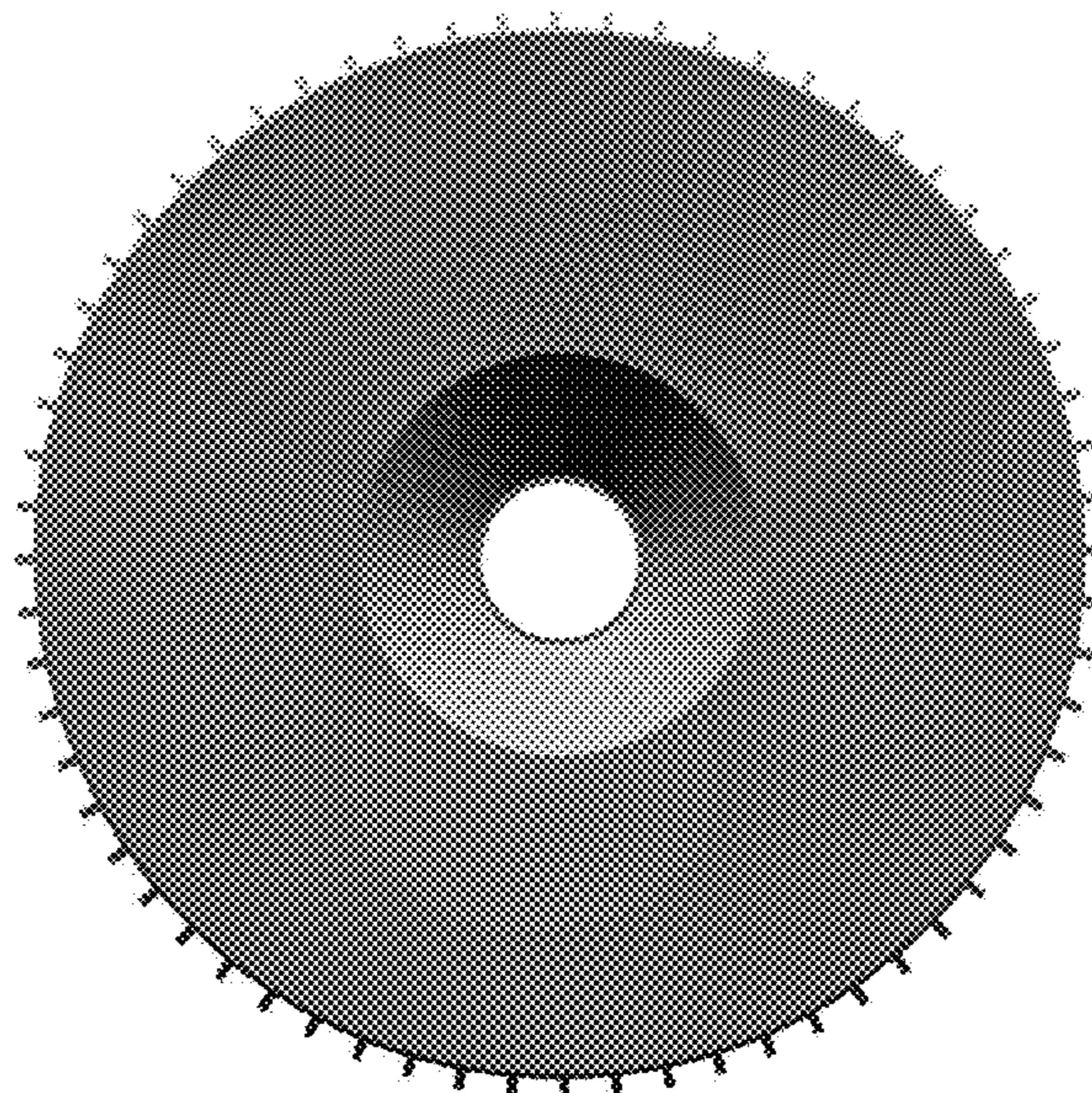
(57) **CLAIM**

The ornamental design for a wheel rim accessory, as shown and described.

**DESCRIPTION**

FIG. 1 is a front view of a wheel rim accessory of our present design;  
FIG. 2 is a rear view thereof;  
FIG. 3 is a left side view thereof;  
FIG. 4 is a right side view thereof;  
FIG. 5 is a top perspective view thereof;  
FIG. 6 is a bottom perspective view thereof; and,  
FIG. 7 is a front, right perspective view thereof.

**1 Claim, 7 Drawing Sheets**



(56)

**References Cited**

U.S. PATENT DOCUMENTS

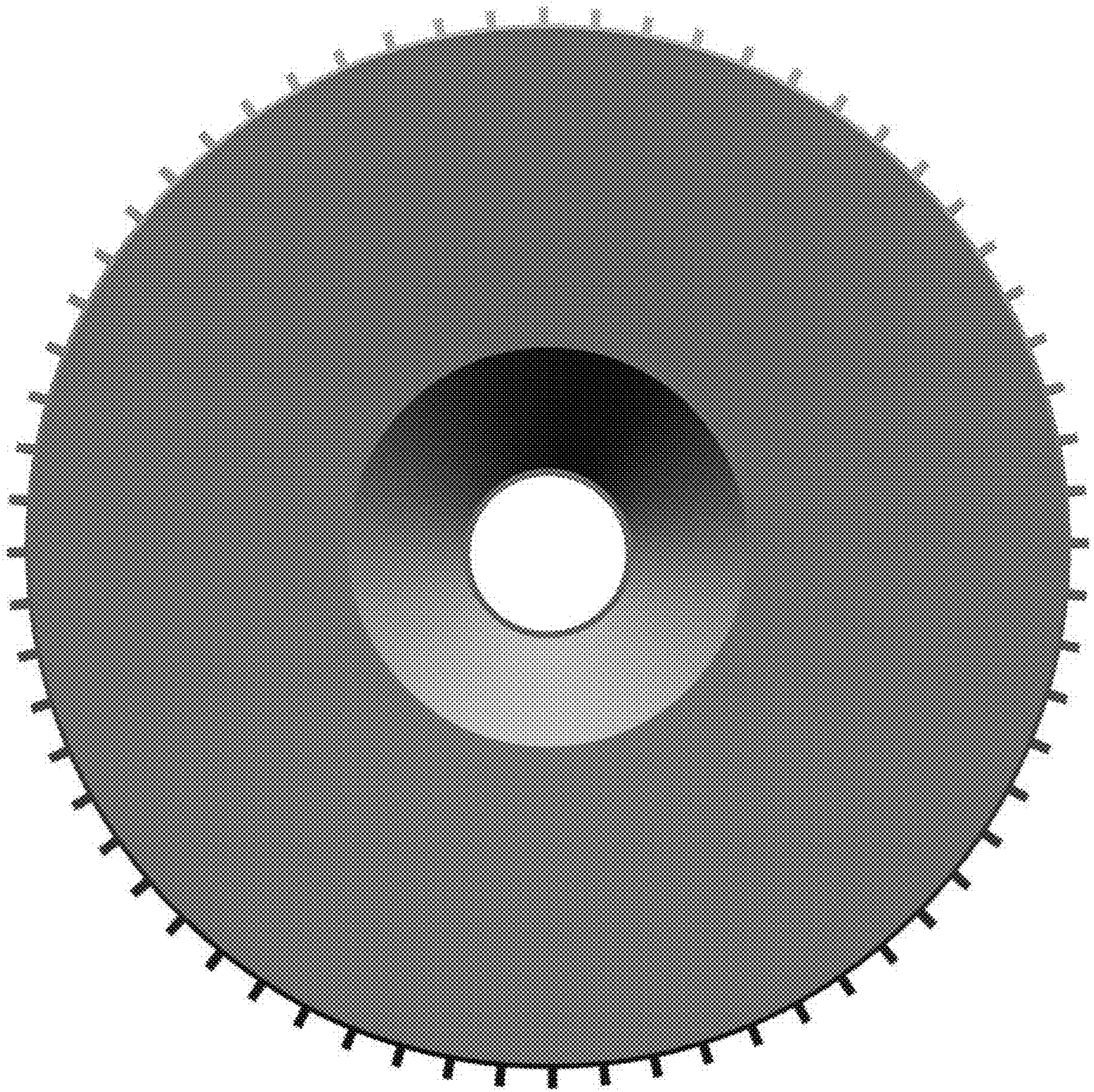
D916,269 S \* 4/2021 Bushnell ..... F04D 29/384  
 D23/379  
 2001/0025480 A1\* 10/2001 Pauly ..... F04D 25/166  
 60/726  
 2005/0022798 A1\* 2/2005 Roth ..... F02D 17/04  
 123/179.18  
 2006/0198727 A1\* 9/2006 Arnold ..... F02B 37/013  
 415/169.1  
 2008/0272643 A1\* 11/2008 Young ..... B60B 7/14  
 301/37.105  
 2011/0236211 A1\* 9/2011 Schneider ..... F01P 5/02  
 416/144  
 2013/0334869 A1\* 12/2013 Kronemeyer ..... B60B 7/066  
 301/37.102  
 2014/0056703 A1\* 2/2014 Vaughn ..... F04D 29/282  
 415/213.1

2014/0360833 A1\* 12/2014 Lee ..... F16D 35/023  
 192/58.681  
 2015/0060226 A1\* 3/2015 Wang ..... F16D 27/14  
 335/297  
 2015/0292452 A1\* 10/2015 Sarder ..... F02M 37/14  
 123/41.65  
 2016/0243889 A1\* 8/2016 Habermacher ..... B32B 37/14  
 2020/0232475 A1\* 7/2020 Azzouz ..... F04D 25/066  
 2021/0178807 A1\* 6/2021 Ming ..... B60B 7/066  
 2021/0260917 A1\* 8/2021 Fleck ..... B60B 7/068  
 2022/0169070 A1\* 6/2022 Guzman-Magana ... B60B 7/061  
 2022/0363091 A1\* 11/2022 Fanizza ..... B60B 7/065

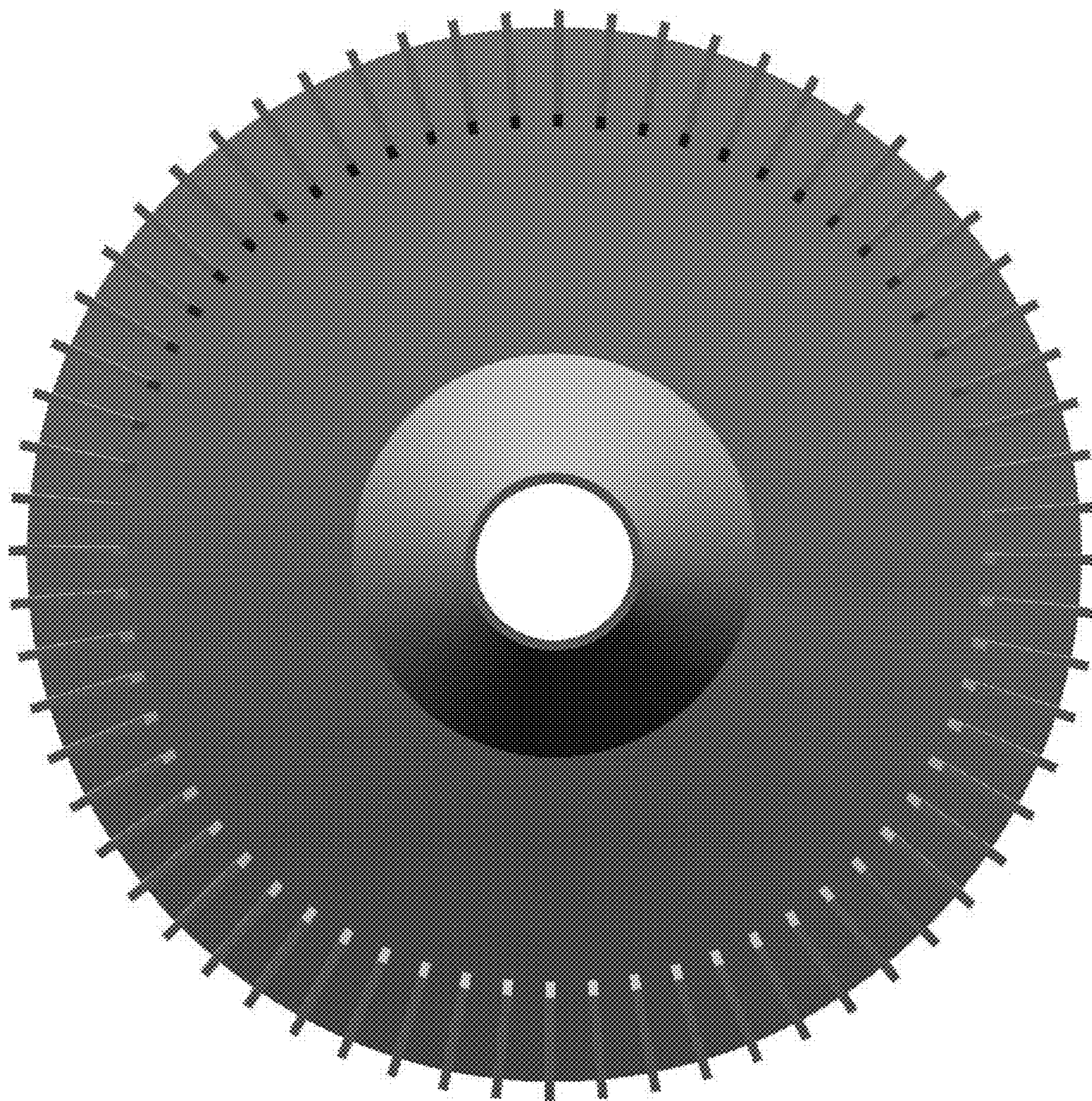
OTHER PUBLICATIONS

Ecomodder Performance car aero-wheel cover thread <https://ecomodder.com/forum/showthread.php/performance-car-aero-wheel-covers-17106.html> Posted on Apr. 29, 2011 (Year: 2011).\*

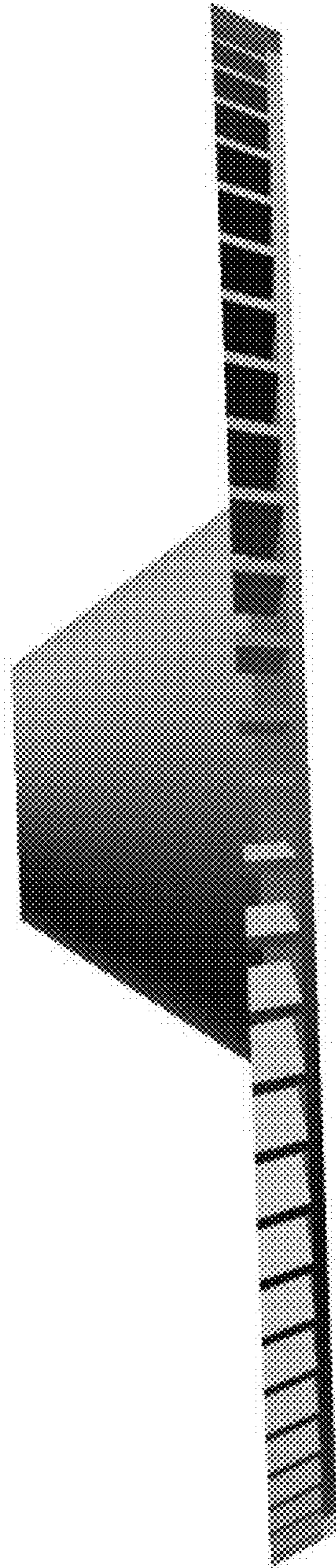
\* cited by examiner



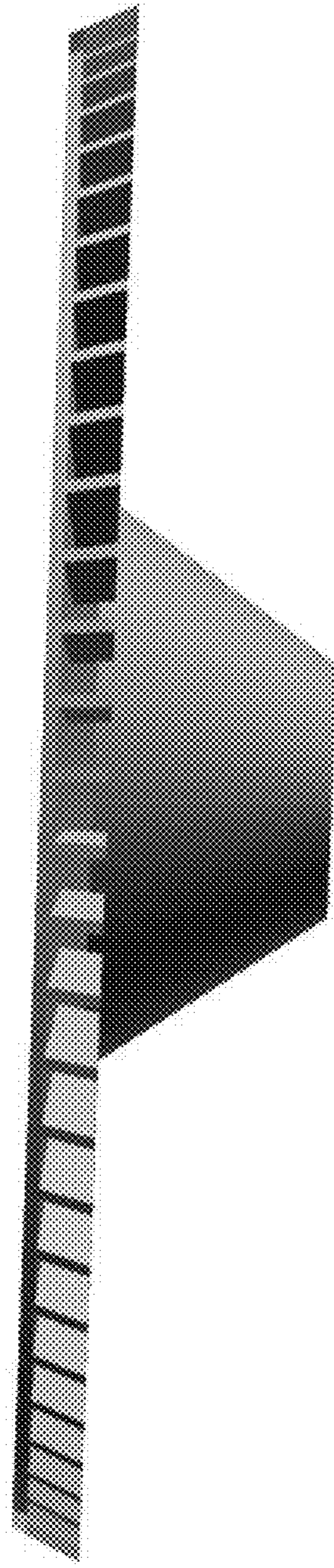
**FIG. 1**



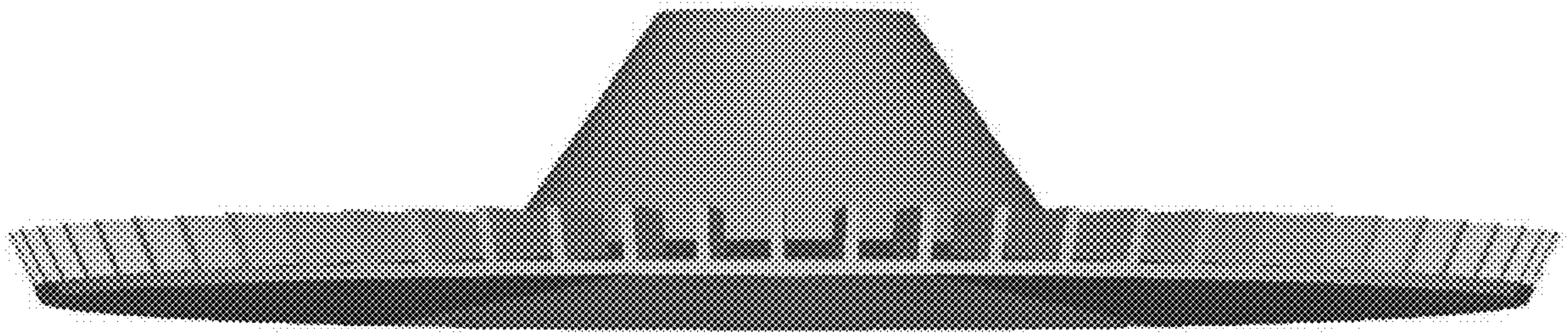
**FIG. 2**



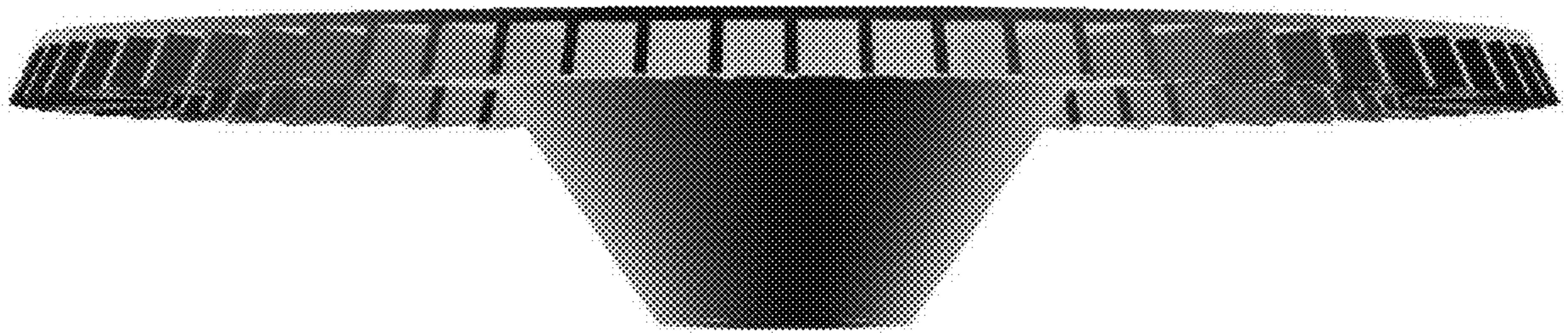
**FIG. 3**



**FIG. 4**

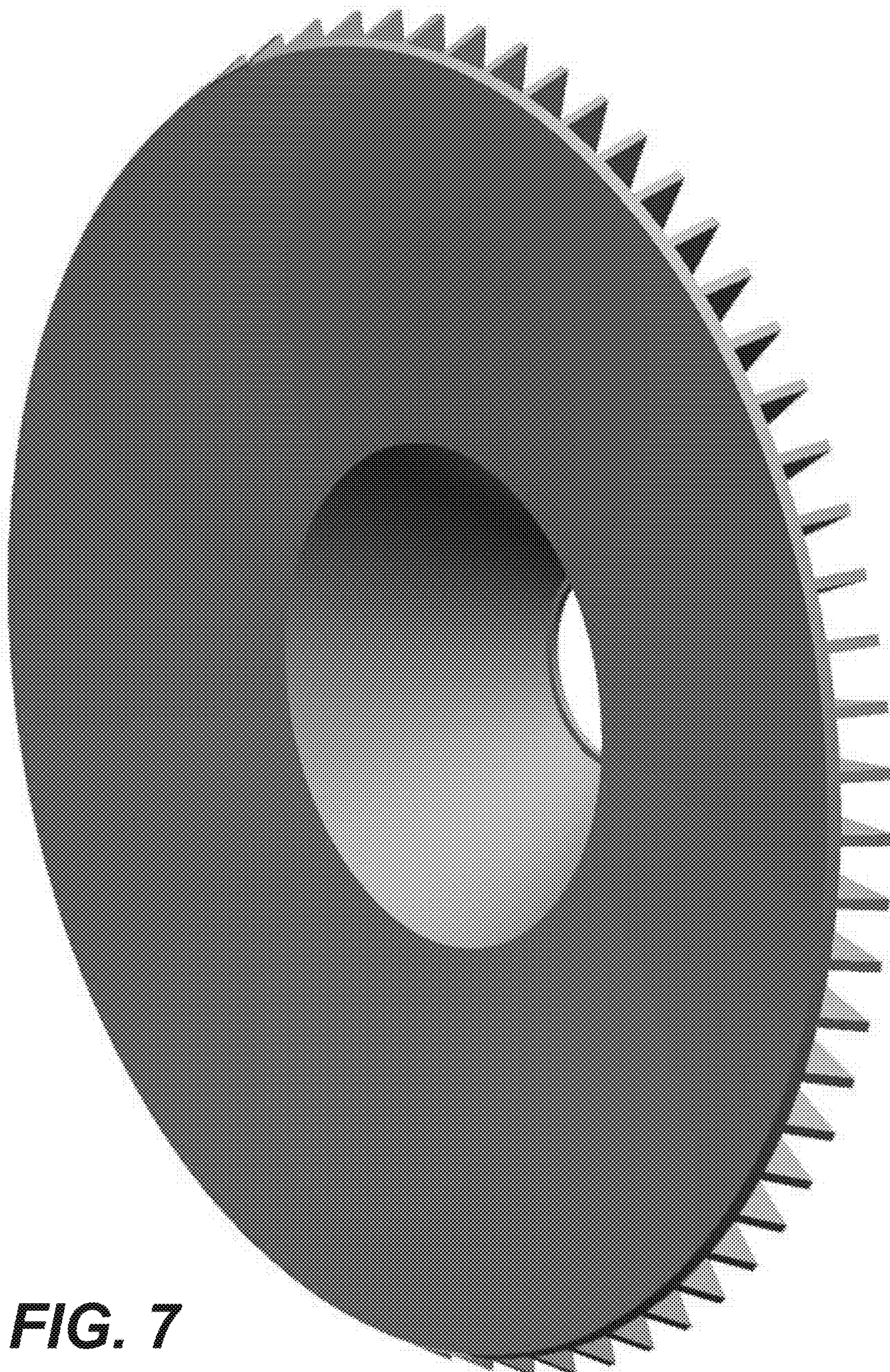


**FIG. 5**



**FIG. 6**





**FIG. 7**