



US00D984343S

(12) **United States Design Patent** (10) **Patent No.:** **US D984,343 S**
Scenna (45) **Date of Patent:** **** Apr. 25, 2023**

(54) **VEHICLE WHEEL**

FOREIGN PATENT DOCUMENTS

(71) Applicant: **GM GLOBAL TECHNOLOGY OPERATIONS LLC**, Detroit, MI (US)

CN 303749342 * 7/2016
CN 303930344 * 11/2016
CN 304129681 * 5/2017
JP D1706125 * 7/2022

(72) Inventor: **Adam K. Scenna**, Royal Oak, MI (US)

OTHER PUBLICATIONS

(73) Assignee: **GM Global Technology Operations LLC**, Detroit, MI (US)

OE Wheels LLC 20 inch Rim Fits GMC Sierra Honeycomb Wheel CV92, available in Amazon.com, date first available Aug. 28, 2018 [online], [site visited Oct. 3, 2022], Available from the internet URL: https://www.amazon.com/OE-Wheels-Silverado-Cadillac-Hollander/dp/B06ZZNG2X9/ref=sr_1_4?crd=1EOQVY37KYTTD&keywords=rims&qid=16.*

(**) Term: **15 Years**

New 17 inch x8 Alloy Replacement Wheel ALY71763U30N, available in Amazon.com, date first available Sep. 28, 2018 [online], [site visited Oct. 3, 2022], Available from the internet URL: https://www.amazon.com/Alloy-Replacement-Wheel-Acura-71763/dp/B07HYDYCJ1/ref=sr_1_129_sspa?crd=1EOQVY37KYTTD&keywords=rims&qid=16.*

(21) Appl. No.: **29/774,835**

(22) Filed: **Mar. 19, 2021**

Enkei Performance YX-5 Gunmetal Painted, available in TireRack.com, announced Year 2022 [online], [site visited Oct. 3, 2022], Internet URL: <https://www.tirerack.com/wheels/enkei-performance-yx-5-gunmetal-painted>.*

(51) **LOC (14) Cl.** **12-16**

(52) **U.S. Cl.**
USPC **D12/209**

(58) **Field of Classification Search**
USPC D12/204–213; D21/563
CPC B60B 7/00; B60B 7/02; B60B 7/04; B60B 7/06; B60B 3/02; B60B 3/04; B60B 3/06; B60B 3/08; B60B 3/10; B60B 1/00; B60B 1/08; B60B 1/10; B60B 1/12
See application file for complete search history.

* cited by examiner

Primary Examiner — Darlington Ly
Assistant Examiner — D. Ryan Tisdale

(56) **References Cited**

U.S. PATENT DOCUMENTS

10,654,311 B2 * 5/2020 Chung B60B 7/0013
D915,978 S * 4/2021 Ma D12/209
D922,290 S * 6/2021 Kaoud D12/209
D928,054 S * 8/2021 Xia D12/209
D929,923 S * 9/2021 Ma D12/209
D935,973 S * 11/2021 Kangas D12/209
D937,740 S * 12/2021 Tran D12/209
D944,711 S * 3/2022 Carbis D12/209
D944,712 S * 3/2022 Carbis D12/209
D961,484 S * 8/2022 Walendowsky D12/209

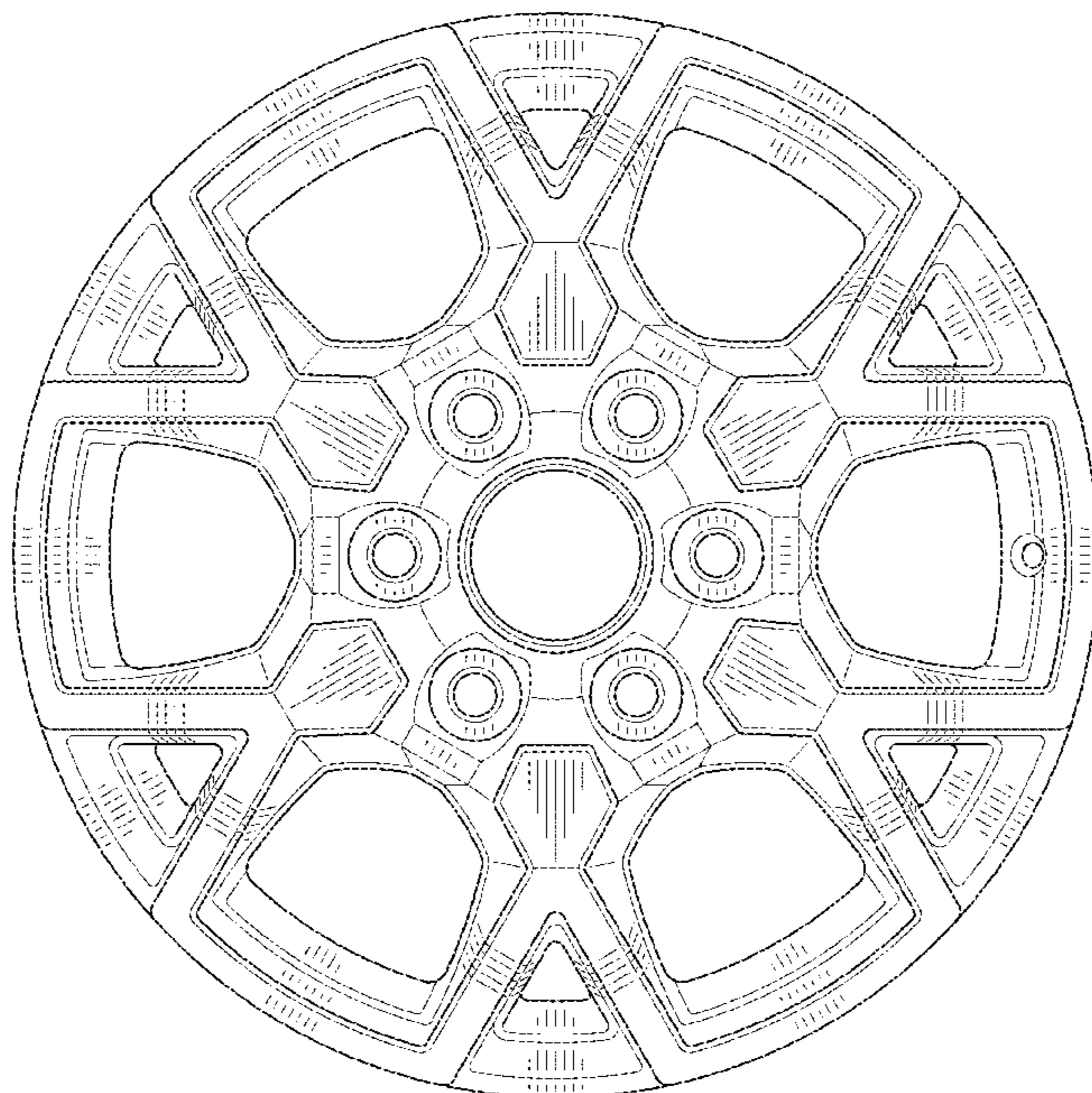
(57) **CLAIM**

The ornamental design for a vehicle wheel, as shown and described.

DESCRIPTION

FIG. 1 is a front elevational view of the vehicle wheel showing my new design; and, FIG. 2 is a front and left side perspective view thereof.

1 Claim, 2 Drawing Sheets



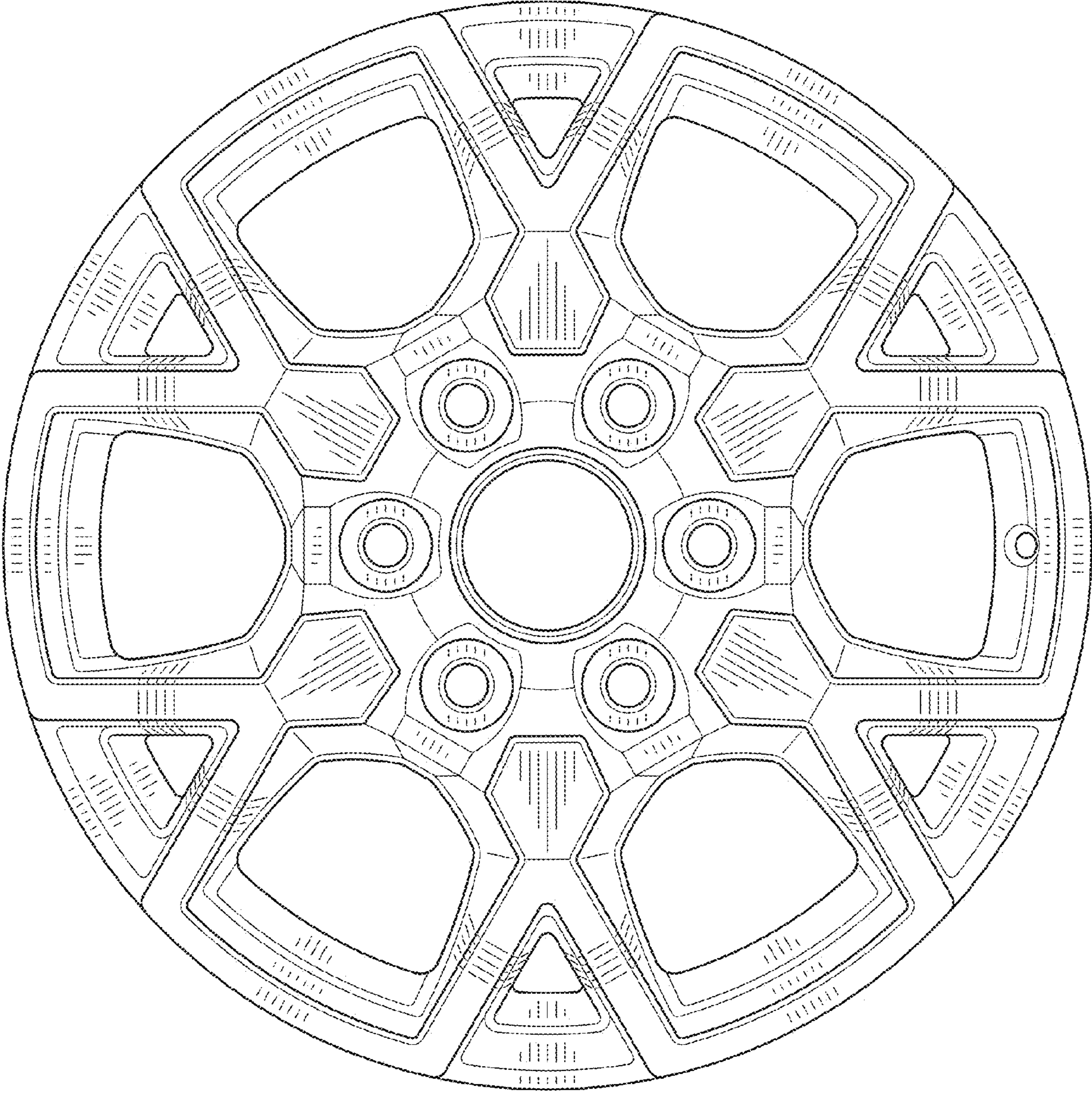


FIG. 1

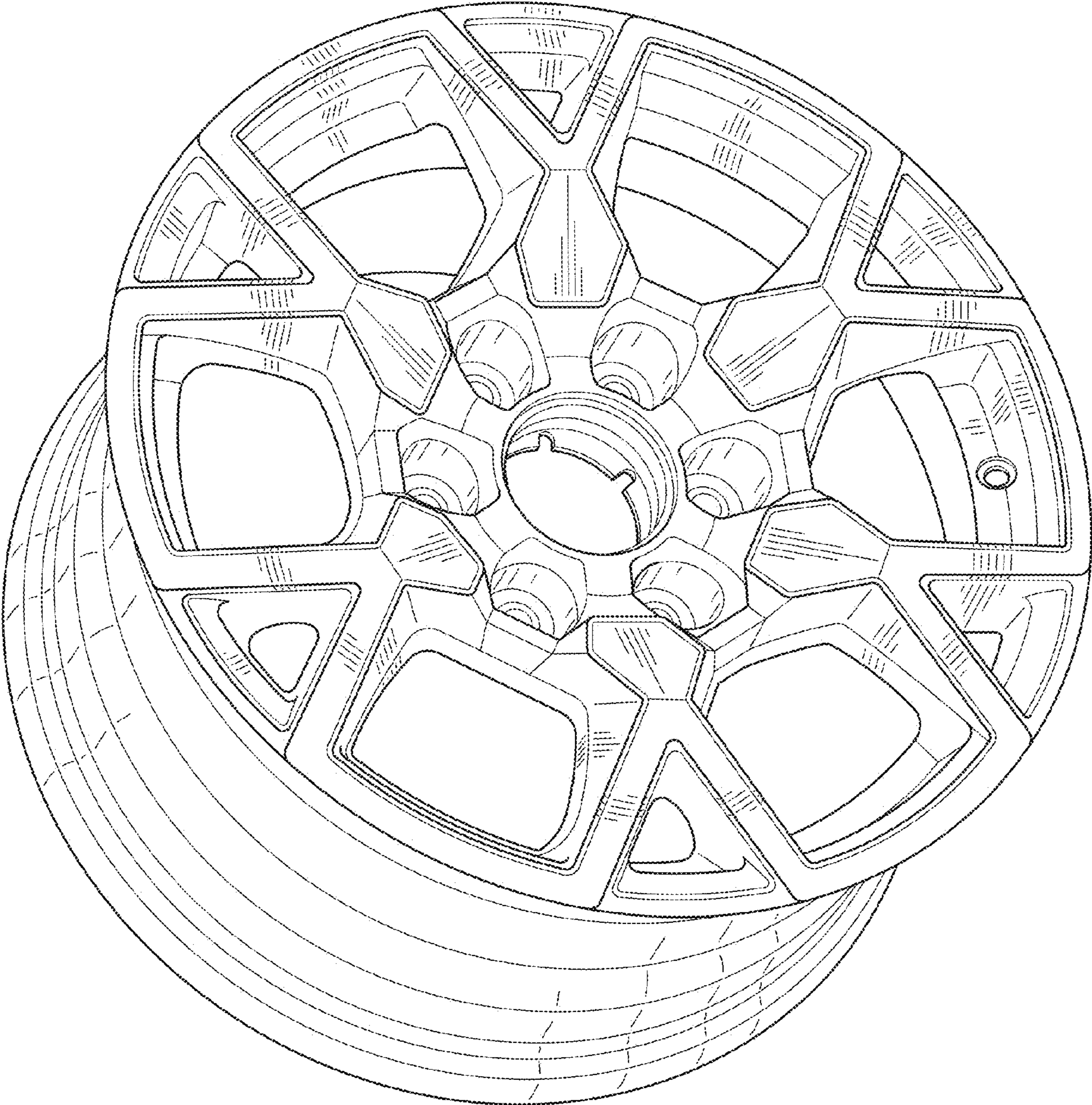


FIG. 2