



US00D984342S

(12) **United States Design Patent** (10) **Patent No.:** **US D984,342 S**
Huang (45) **Date of Patent:** **** Apr. 25, 2023**

(54) **VEHICLE RUNNING BOARD**
(71) Applicant: **Daping Huang**, Dongguan (CN)
(72) Inventor: **Daping Huang**, Dongguan (CN)
(**) Term: **15 Years**

(21) Appl. No.: **29/796,755**
(22) Filed: **Jun. 26, 2021**
(51) **LOC (14) Cl.** **12-16**
(52) **U.S. Cl.**
USPC **D12/203**
(58) **Field of Classification Search**
USPC D12/203, 114, 125, 162, 174; D17/22;
D21/685, 687, 694; D25/62, 65
CPC B60R 3/002; B60R 3/005; B60R 3/007;
B60R 3/00; B60R 3/02
See application file for complete search history.

(56) **References Cited**

U.S. PATENT DOCUMENTS

D276,716	S *	12/1984	Dignan	D12/203
D293,667	S *	1/1988	Weiler	D12/203
D445,076	S *	7/2001	Weinerman	D12/203
6,471,002	B1 *	10/2002	Weinerman	B60R 3/02
					280/166
D626,901	S *	11/2010	Fallot	D12/174
D629,342	S *	12/2010	Fallot	D12/174
9,481,308	B2 *	11/2016	Dringenberg	B60R 3/02
9,981,608	B1 *	5/2018	DoVale	B60D 1/58
10,384,614	B1 *	8/2019	Du	B60R 3/02
D862,340	S *	10/2019	Le	D12/203
D871,992	S *	1/2020	Joshi	D12/203
10,562,455	B2 *	2/2020	Mao	B60R 3/007
D912,170	S *	3/2021	Dunahay	D21/694
D937,167	S *	11/2021	Li	D12/203
D950,452	S *	5/2022	Yang	D12/203
D953,959	S *	6/2022	Huang	D12/203
D960,792	S *	8/2022	Zhang	D12/174

D968,109	S *	11/2022	Xu	D6/353
2018/0001825	A1 *	1/2018	Long	B60R 3/002
2018/0037166	A1 *	2/2018	Hunter	B60R 3/007
2019/0389386	A1 *	12/2019	Meszaros	B60R 3/005
2020/0023780	A1 *	1/2020	Du	B60R 3/02
2020/0180512	A1 *	6/2020	Godfrey	B60R 3/02
2020/0339039	A1 *	10/2020	Watson	B60R 3/002
2020/0369209	A1 *	11/2020	Pantea	B60R 3/02
2021/0221449	A1 *	7/2021	Milani	B60R 3/02

OTHER PUBLICATIONS

Car Door Step Universal, Jul. 28, 2021, Amazon [online], [Site Visit Nov. 21, 2022], URL: <https://www.amazon.com/Universal-Accessories-Foldable-Supports-Rooftop/dp/B09BCFZM7P> (Year: 2021) (Year: 2021).*

(Continued)

Primary Examiner — Calvin E Vansant
Assistant Examiner — Giang Hoang Tran
(74) *Attorney, Agent, or Firm* — Che-Yang Chen; Law Office of Michael Chen

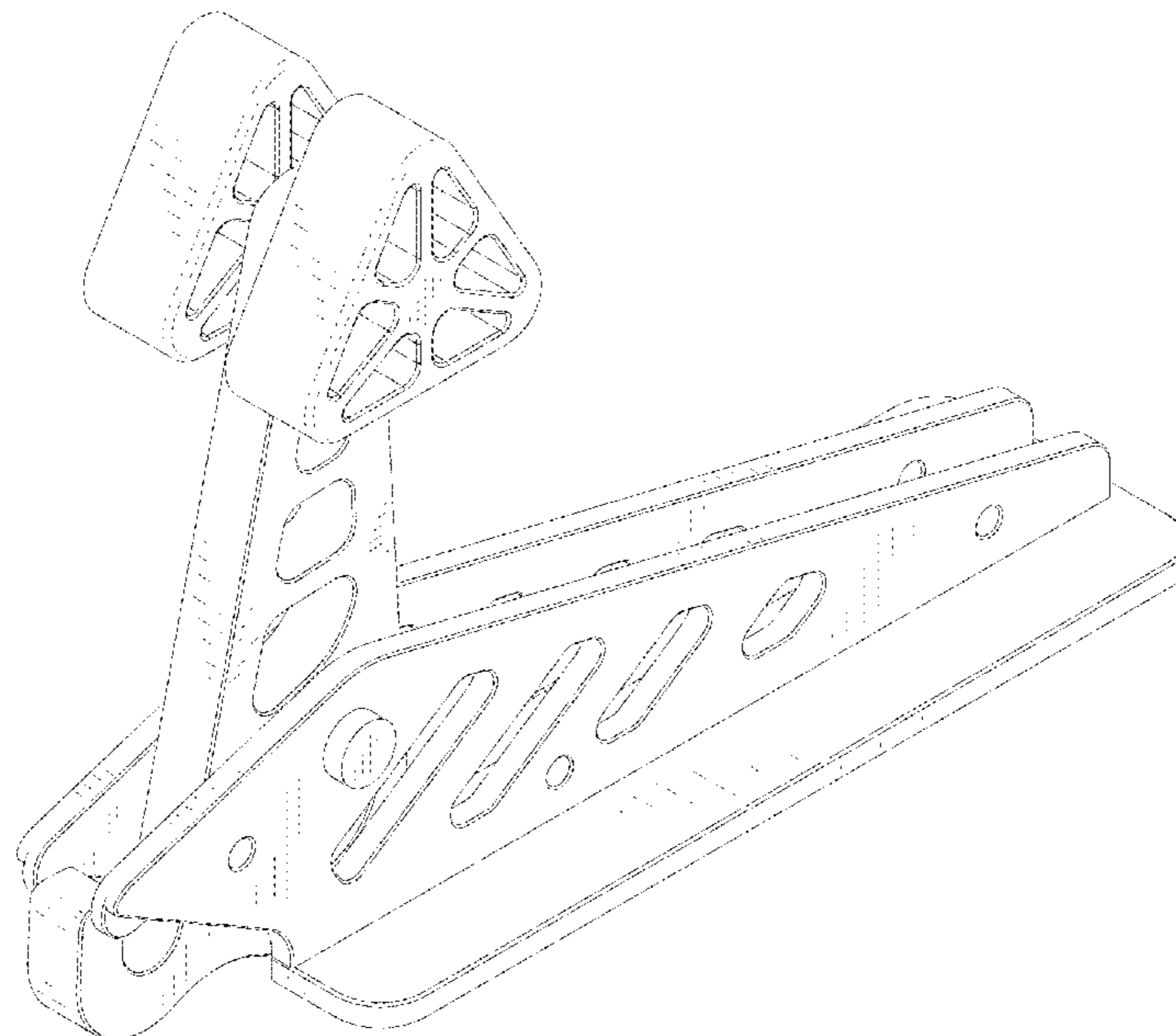
(57) **CLAIM**

The ornamental design for a vehicle running board, as shown and described.

DESCRIPTION

FIG. 1 is a perspective view of the vehicle running board showing my new design;
FIG. 2 is a perspective view thereof from another angle;
FIG. 3 is a front elevational view thereof;
FIG. 4 is a rear elevational view thereof;
FIG. 5 is a left side elevational view thereof;
FIG. 6 is a right side elevational view thereof;
FIG. 7 is a top plan view thereof; and,
FIG. 8 is a bottom plan view thereof.

1 Claim, 8 Drawing Sheets



(56)

References Cited

OTHER PUBLICATIONS

Car Door Step Foldable Universal Fit, Sep. 19, 2021, Amazon [online], [Site Visit Nov. 21, 2022], URL: <https://www.amazon.com/Universal-Accessories-Foldable-Supports-Rooftop/dp/B09BCFZM7P> (Year: 2021) (Year: 2021).*

Yomilink Foldable Car Doorstep, Jul. 19, 2021, Amazon [online], [Site Visit Nov. 21, 2022], URL: https://www.amazon.com/YOMILINK-Foldable-Universal-Accessories-Supports/dp/B0B6ZHM8HC/ref=sr_1_21?keywords=car+rooftop+step&qid=1669062917&sr=8-21 (Year: 2021) (Year: 2021).*

* cited by examiner

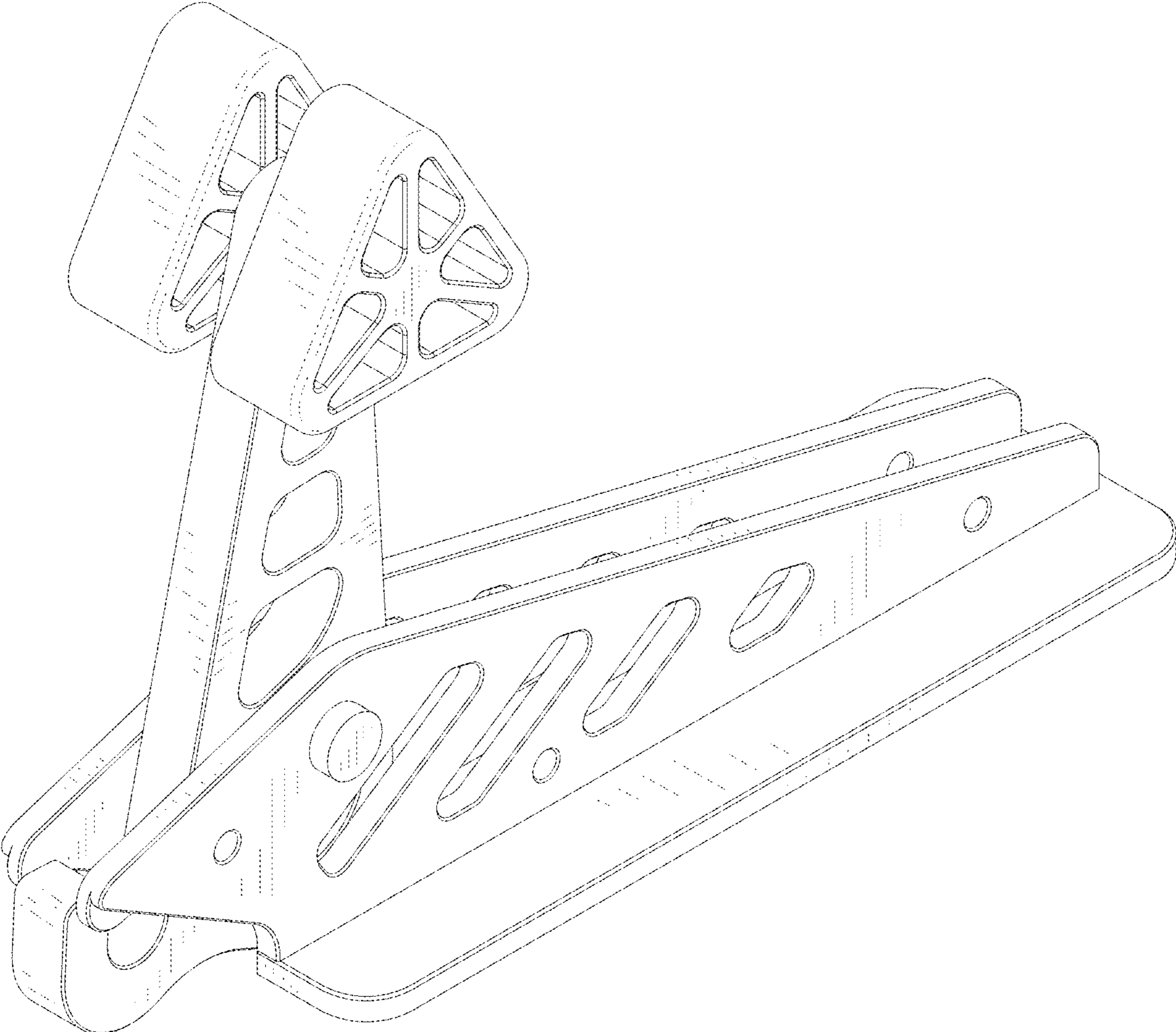


FIG.1

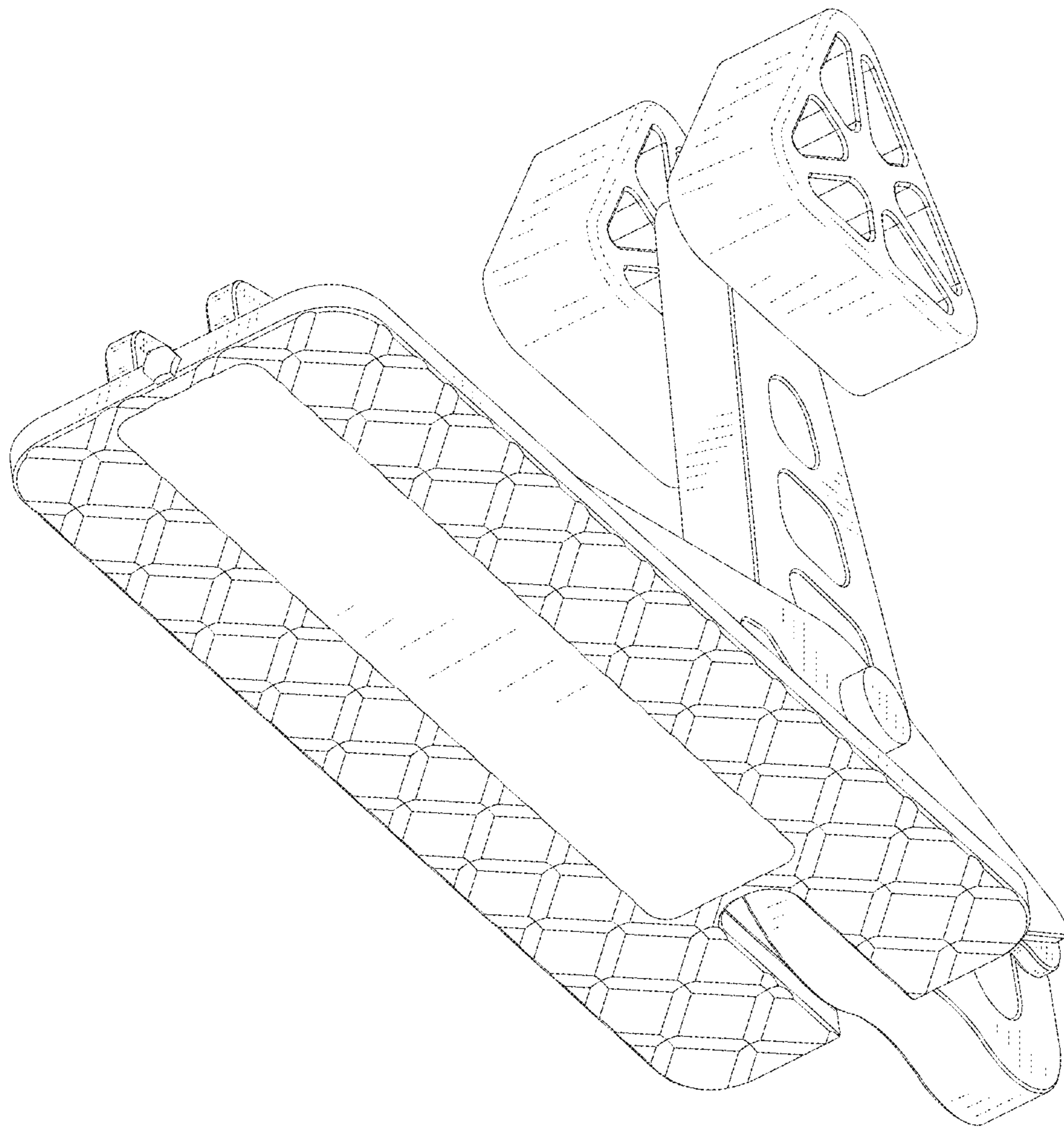


FIG. 2

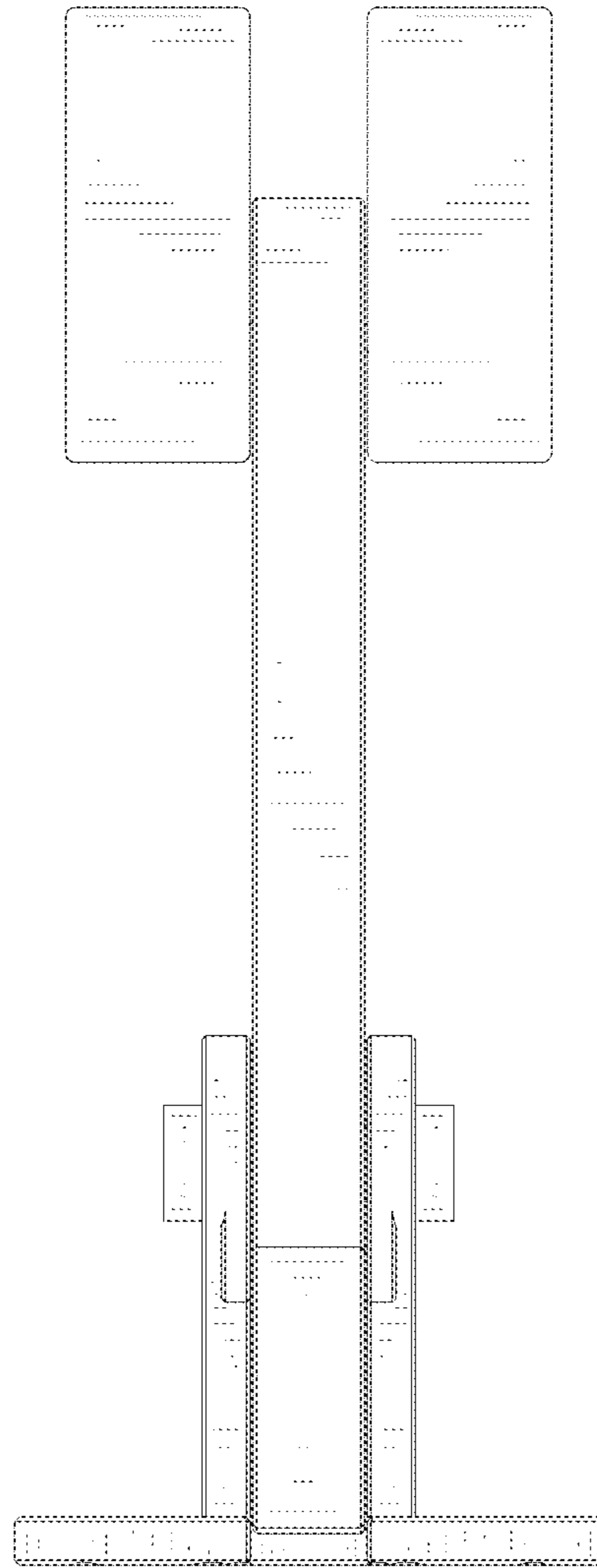


FIG. 3

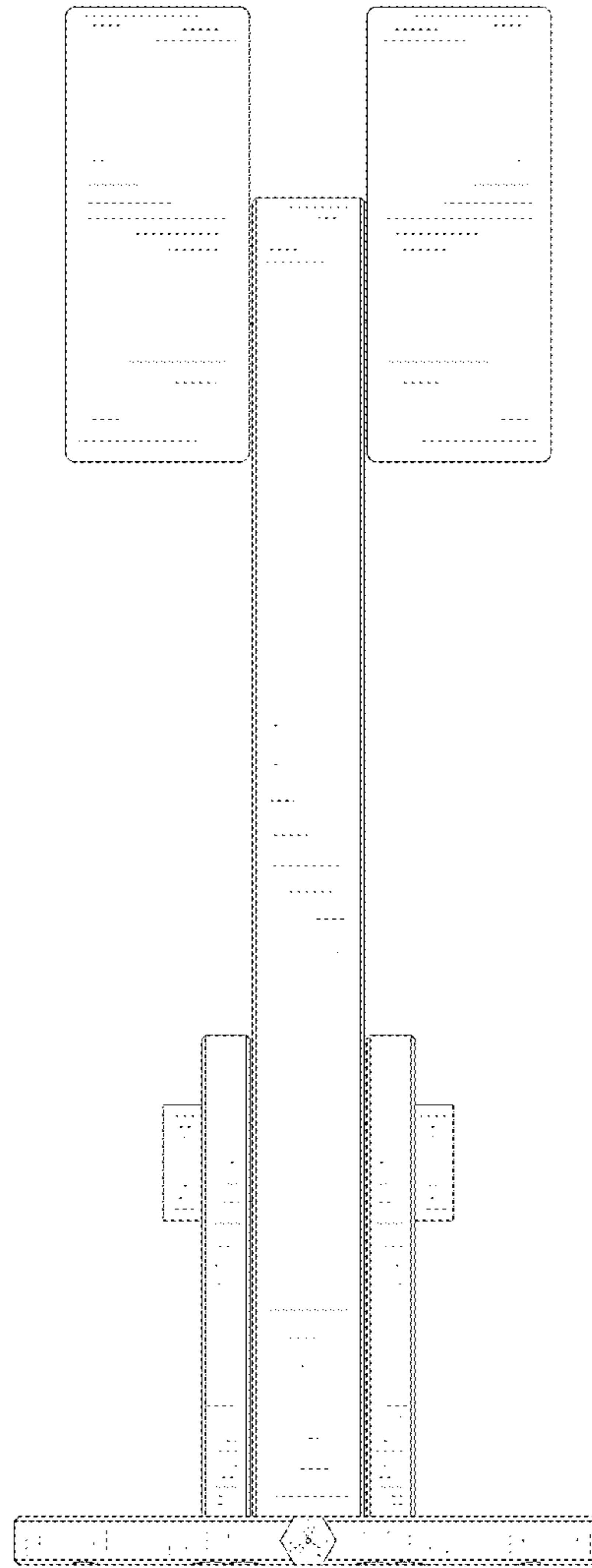


FIG. 4

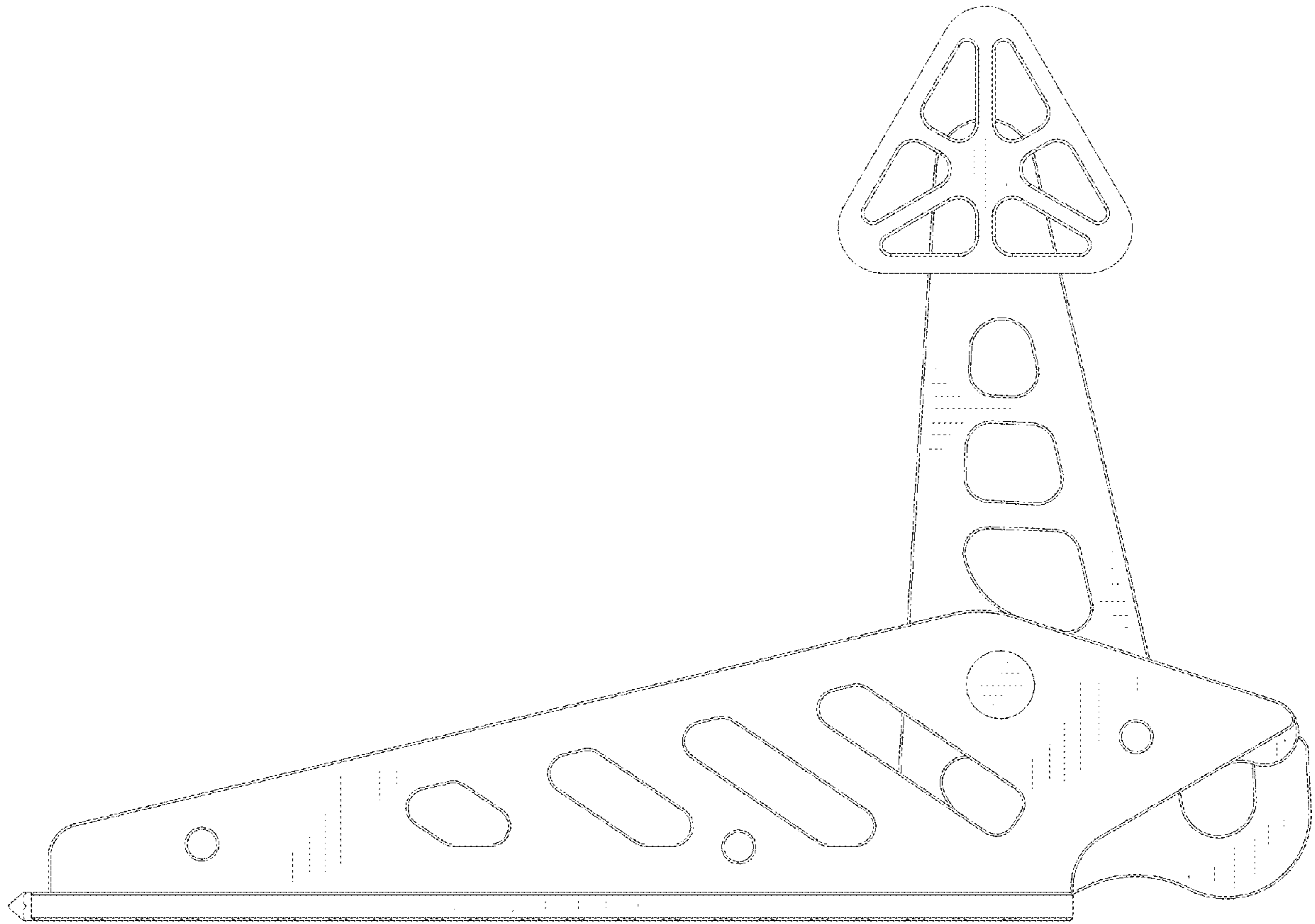


FIG. 5

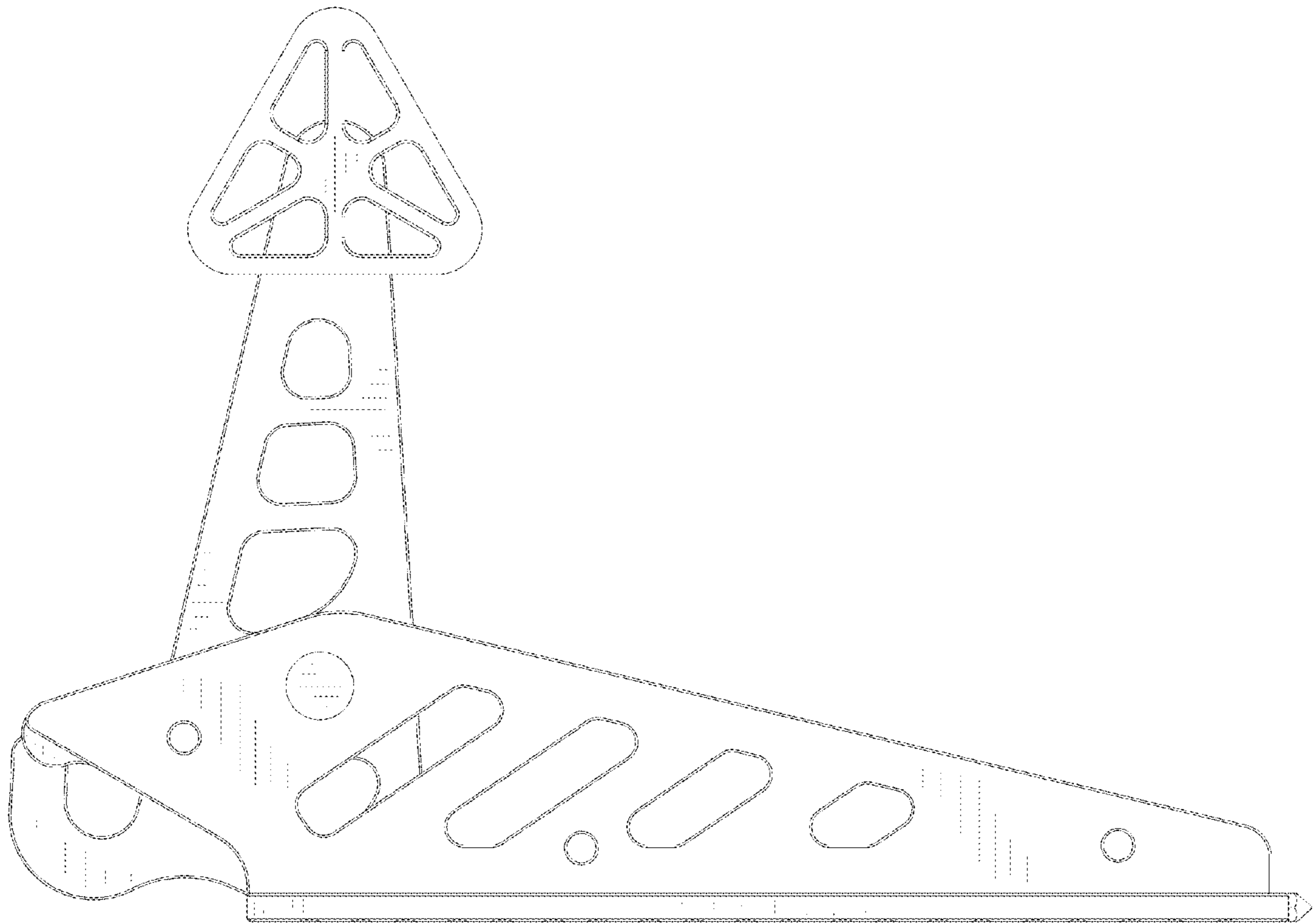


FIG.6

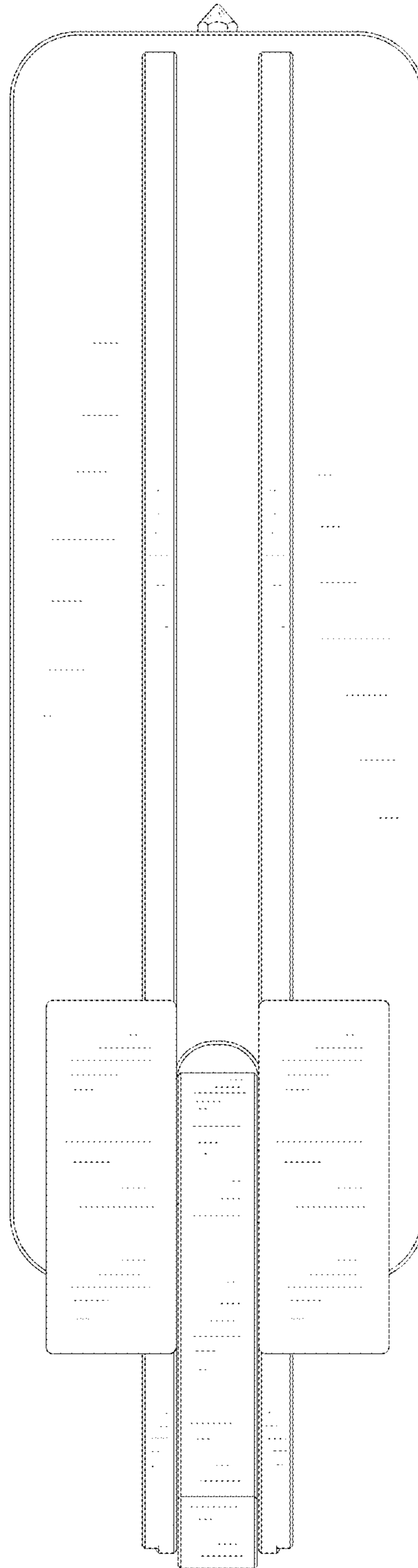


FIG. 7

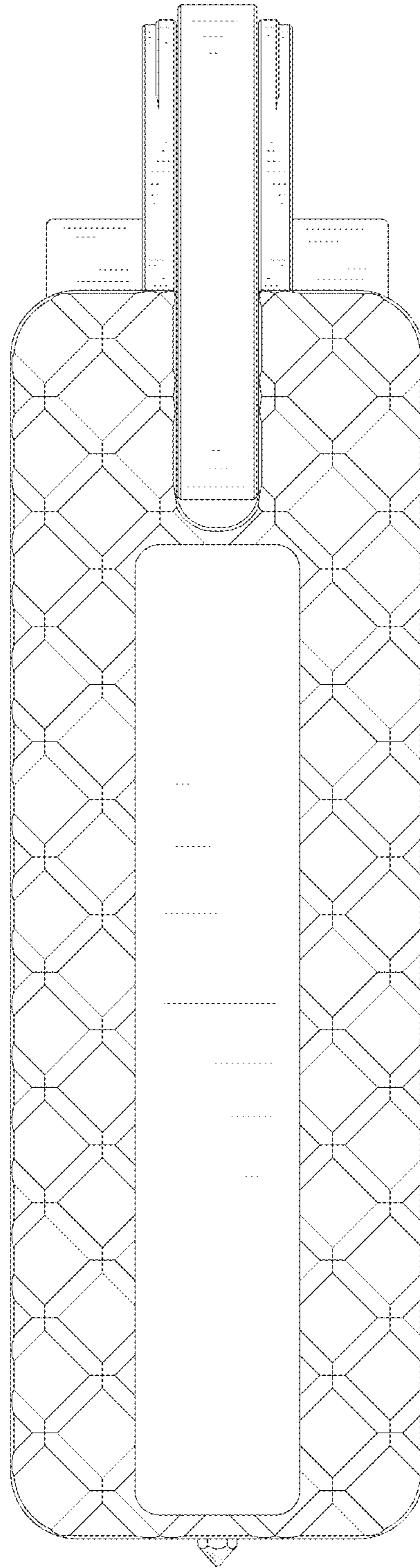


FIG. 8