



US00D984341S

(12) **United States Design Patent** (10) **Patent No.:** **US D984,341 S**  
**Lee et al.** (45) **Date of Patent:** **\*\* Apr. 25, 2023**

(54) **FRONT DOOR PANEL FOR AN AUTOMOBILE**

5/0469; B60J 5/0476; B60J 5/0483; B60J 5/0486; B62D 25/02; B62D 25/04; B62D 35/00

(71) Applicants: **Hyundai Motor Company**, Seoul (KR); **Kia Corporation**, Seoul (KR)

See application file for complete search history.

(72) Inventors: **Geon Hee Lee**, Seoul (KR); **Dong Min Jeon**, Gwacheon-si (KR); **Myung Jin Jung**, Hwaseong-si (KR)

(56) **References Cited**

U.S. PATENT DOCUMENTS

(73) Assignees: **Hyundai Motor Company**, Seoul (KR); **Kia Corporation**, Seoul (KR)

D479,700	S	*	9/2003	Boyer	.....	D12/196
D785,531	S	*	5/2017	Lim	.....	D12/196
D827,534	S	*	9/2018	Simm	.....	D12/196
D833,355	S	*	11/2018	Lee	.....	D12/196
D860,895	S	*	9/2019	Lee	.....	D12/196
D890,670	S	*	7/2020	Oh	.....	D12/196
D901,351	S	*	11/2020	Kim	.....	D12/196
D915,973	S	*	4/2021	Kim	.....	D12/196
D940,623	S	*	1/2022	Kim	.....	B60J 5/00 D12/196
D945,339	S	*	3/2022	Lim	.....	D12/196
D951,839	S	*	5/2022	Cho	.....	B62D 25/02 D12/196
D956,650	S	*	7/2022	Bae	.....	D12/196
D971,809	S	*	12/2022	Park	.....	D12/196

(\*\*) Term: **15 Years**

(21) Appl. No.: **35/513,590**

(22) Filed: **Aug. 11, 2021**

(80) **Hague Agreement Data**

Int. Filing Date: **Aug. 11, 2021**

Int. Reg. No.: **DM/215883**

Int. Reg. Date: **Aug. 11, 2021**

Int. Reg. Pub. Date: **Feb. 11, 2022**

\* cited by examiner

*Primary Examiner* — Cary M Robinson

*Assistant Examiner* — Adam C Mager

(74) *Attorney, Agent, or Firm* — Fox Rothschild LLP

(30) **Foreign Application Priority Data**

Feb. 22, 2021 (KR) ..... 30-2021-0008806

(51) **LOC (14) Cl.** ..... **12-16**

(52) **U.S. Cl.**  
USPC ..... **D12/196**

(58) **Field of Classification Search**  
USPC ... D12/1, 12, 13, 14, 15, 82, 84, 85, 86, 87, D12/88, 89, 90, 91, 92, 93, 94, 96, 97, D12/98, 99, 100, 181, 184, 190, 192, 195, D12/196; D21/533, 548, 552, 561  
CPC ..... B60J 5/00; B60J 5/04; B60J 5/0412; B60J 5/0425; B60J 5/0437; B60J 5/0441; B60J 5/0444; B60J 5/0447; B60J 5/0463; B60J

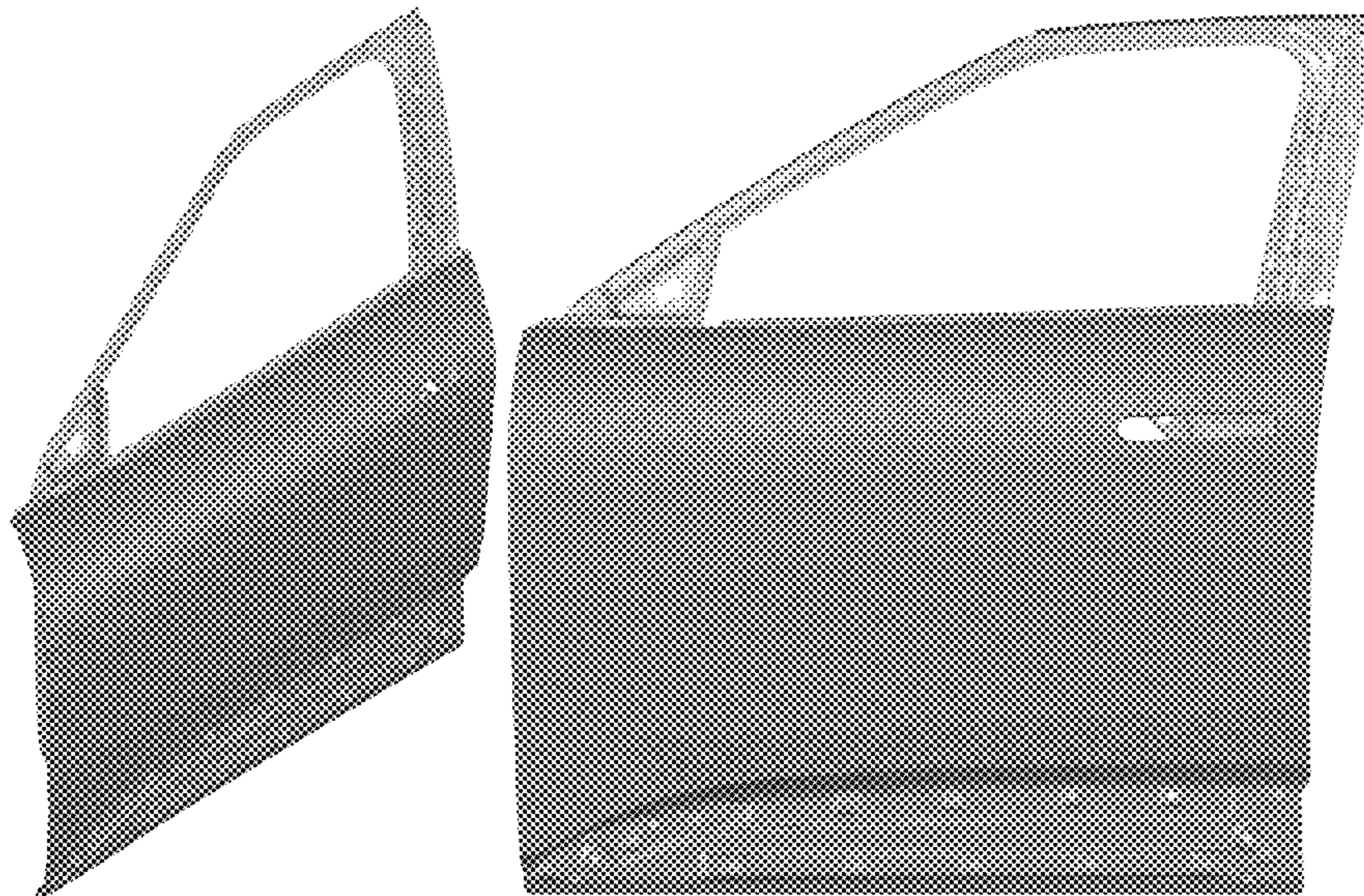
(57) **CLAIM**

The ornamental design for a front door panel for an automobile, as shown and described.

**DESCRIPTION**

- 1. Front door panel for an automobile
- 1.1 : Perspective
- 1.2 : Front
- 1.3 : Back
- 1.4 : Left
- 1.5 : Right
- 1.6 : Top
- 1.7 : Bottom

**1 Claim, 7 Drawing Sheets**



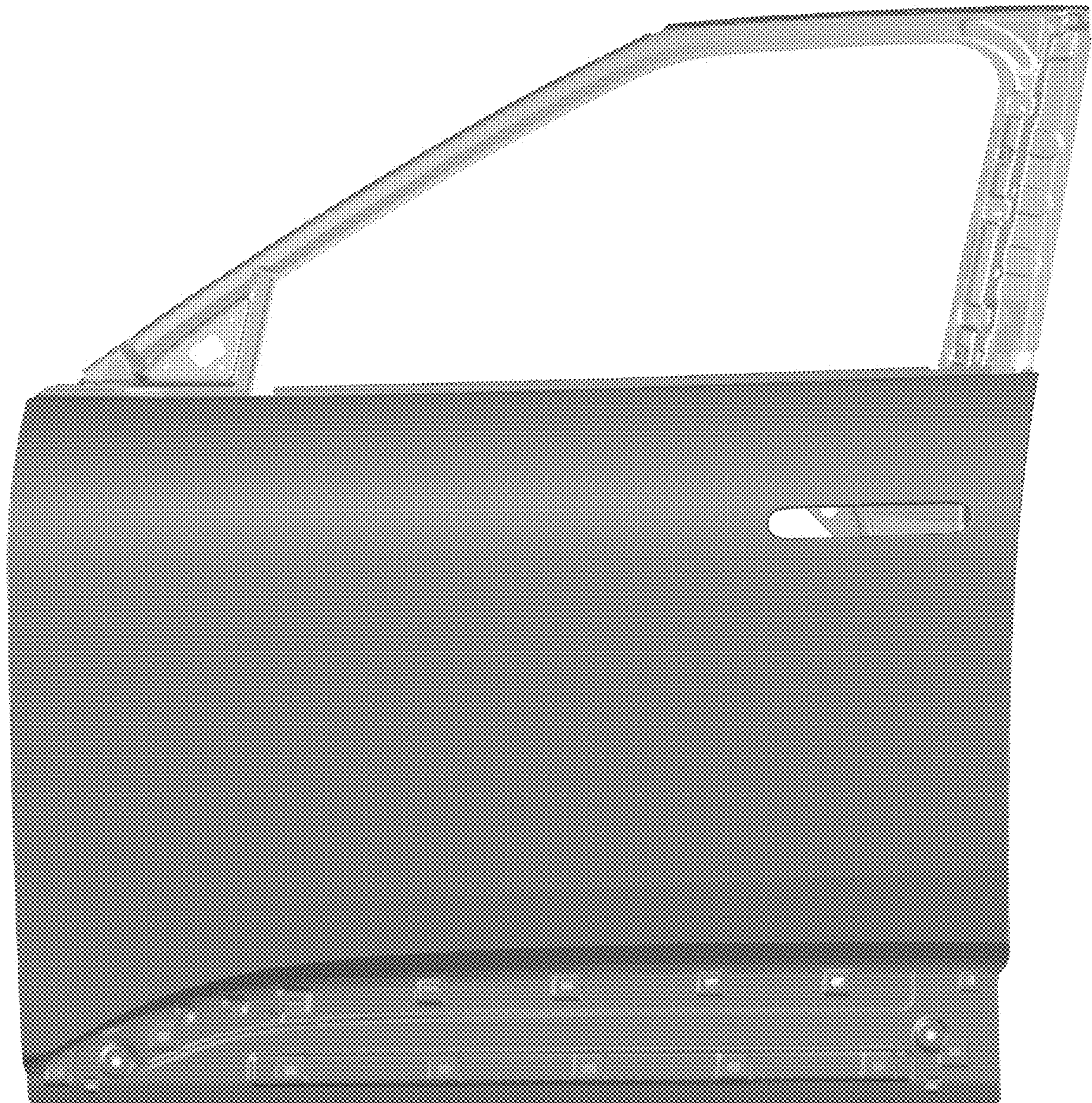


1.1



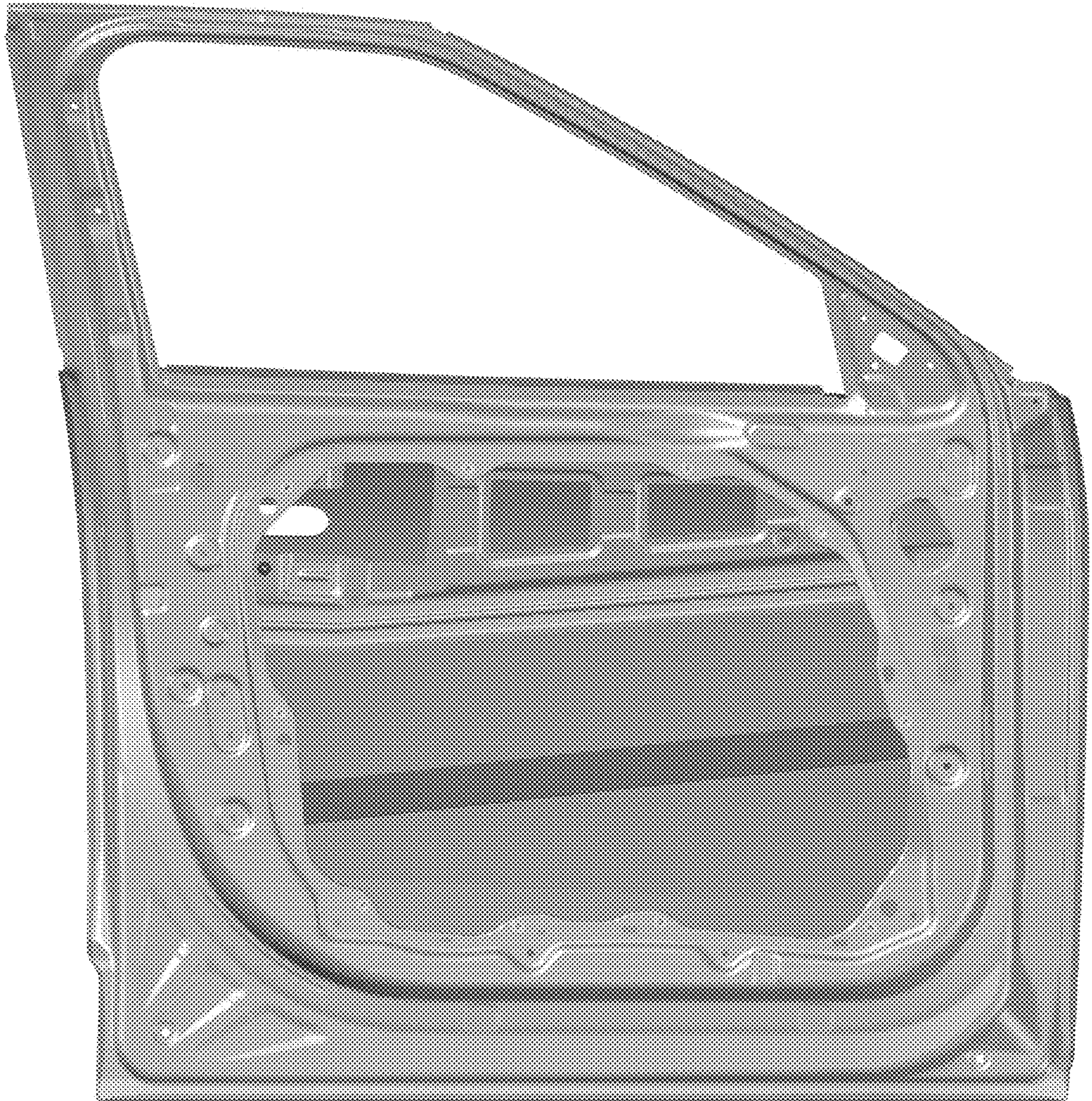


1.2



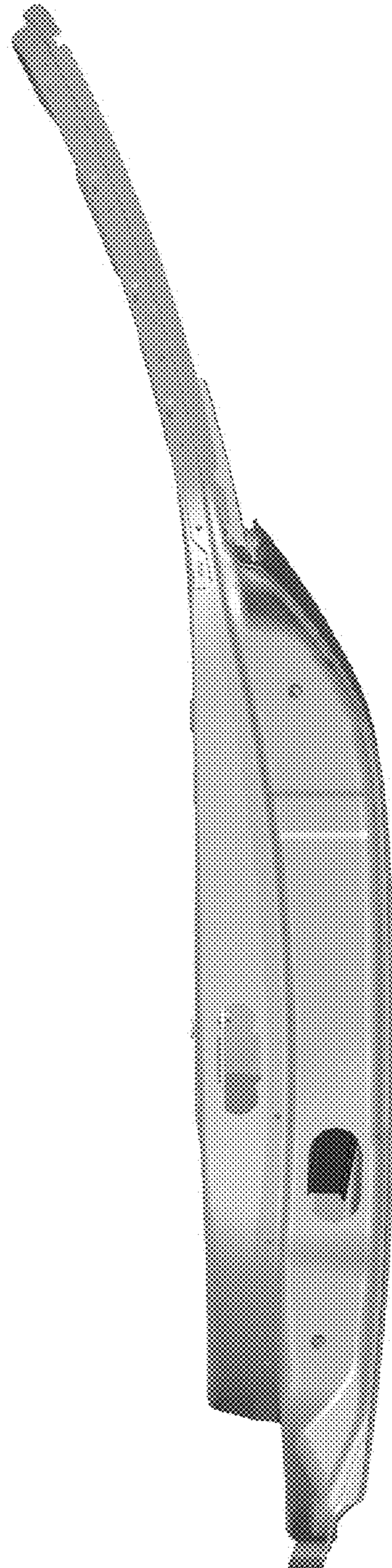


1.3

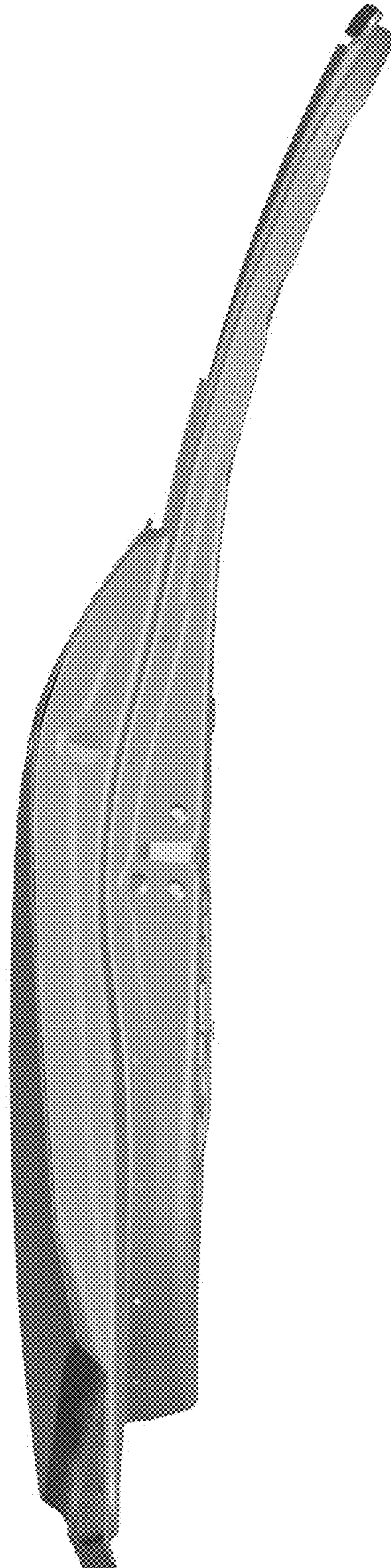




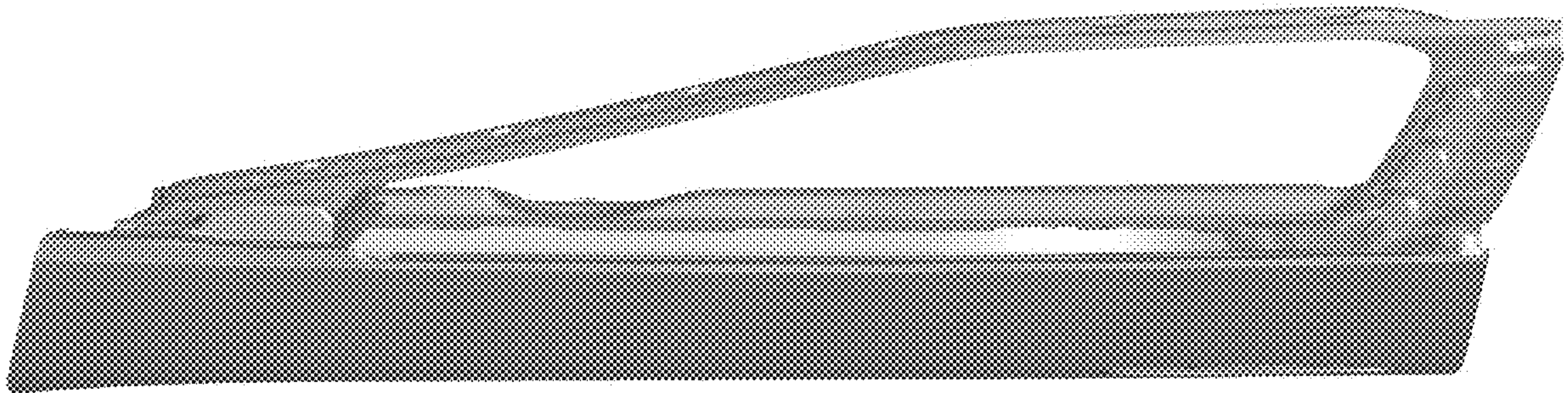
1.4



1.5



1.6



1.7

