



US00D984340S

(12) **United States Design Patent**
Manzoni

(10) **Patent No.:** **US D984,340 S**
(45) **Date of Patent:** **** Apr. 25, 2023**

(54) **REAR SCREEN FOR CAR**

- (71) Applicant: **Ferrari S.p.A.**, Modena (IT)
- (72) Inventor: **Flavio Manzoni**, Maranello (IT)
- (73) Assignee: **FERRARI S.p.A.**, Modena (IT)
- (**) Term: **15 Years**
- (21) Appl. No.: **29/718,571**
- (22) Filed: **Dec. 26, 2019**

Related U.S. Application Data

- (62) Division of application No. 35/506,306, filed on Jul. 18, 2018 (U.S. filing date under 35 U.S.C. 384), and having an international filing date of Jul. 18, 2018, now Pat. No. Des. 889,326.

(30) **Foreign Application Priority Data**

- Jan. 19, 2018 (EM) 004672921
- (51) **LOC (14) Cl.** **12-16**
- (52) **U.S. Cl.**
USPC **D12/196**
- (58) **Field of Classification Search**
USPC D12/92, 196, 88
See application file for complete search history.

(56) **References Cited**

U.S. PATENT DOCUMENTS

D597,448 S *	8/2009	Jacob	D12/92
D672,284 S *	12/2012	Perini	D12/92
D781,749 S *	3/2017	Perini	D12/92
D860,861 S *	9/2019	Manzoni	D12/88
D891,300 S *	7/2020	Borkert	D12/88
D908,538 S *	1/2021	Pena	D12/92
D958,004 S *	7/2022	Manzoni	D12/92
D959,346 S *	8/2022	Manzoni	D12/196

* cited by examiner

Primary Examiner — George D. Kirschbaum

(74) *Attorney, Agent, or Firm* — Cowan, Liebowitz & Latman, P.C.; Anastasia Zhadina

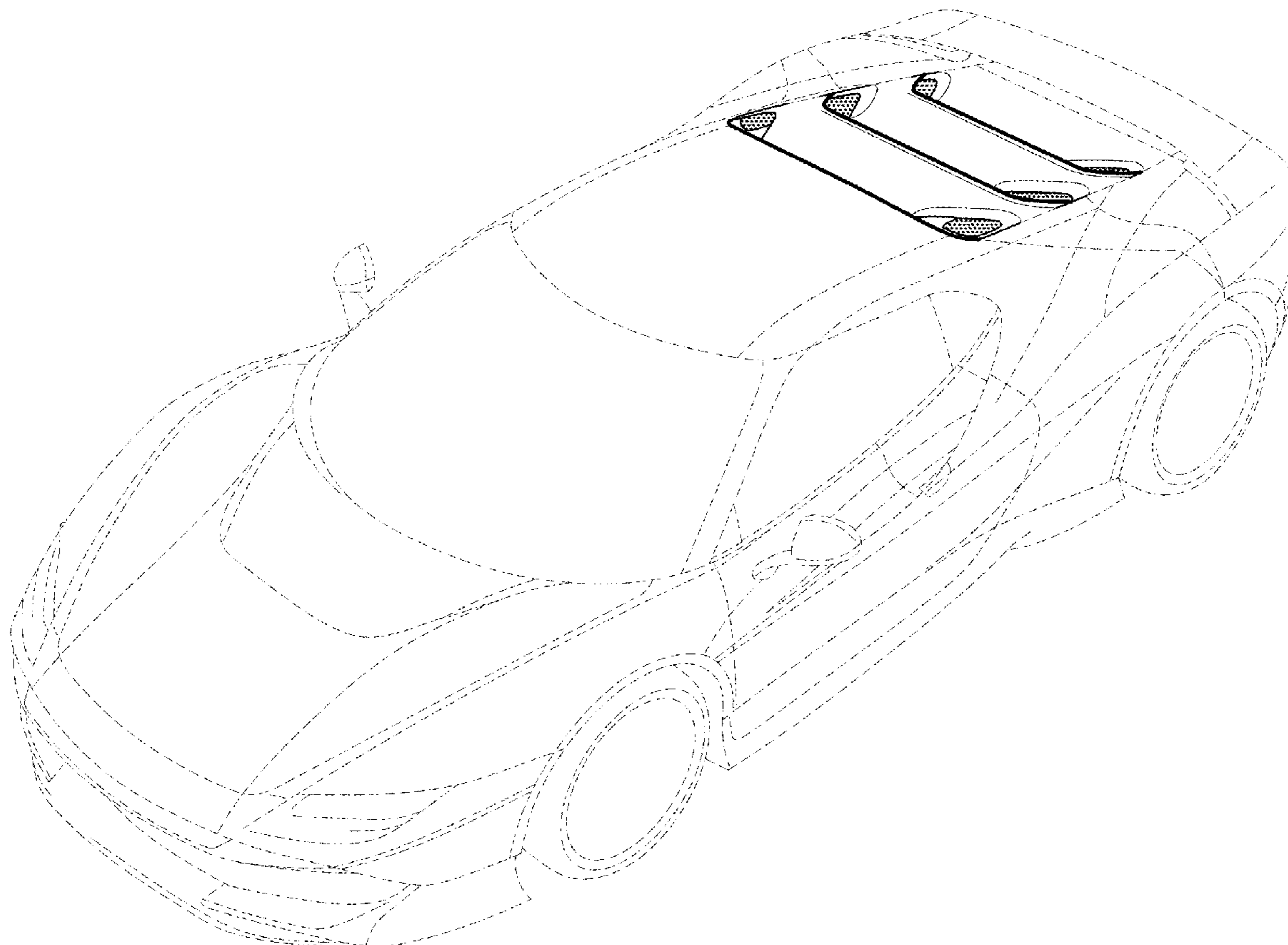
(57) **CLAIM**

The ornamental design for a rear screen for car, as shown and described.

DESCRIPTION

FIG. 1 is a front perspective view of a rear screen for car showing my new design;
 FIG. 2 is a rear perspective view thereof;
 FIG. 3 is a back view thereof;
 FIG. 4 is a left-side view thereof; and,
 FIG. 5 is a top plan view thereof.

1 Claim, 5 Drawing Sheets



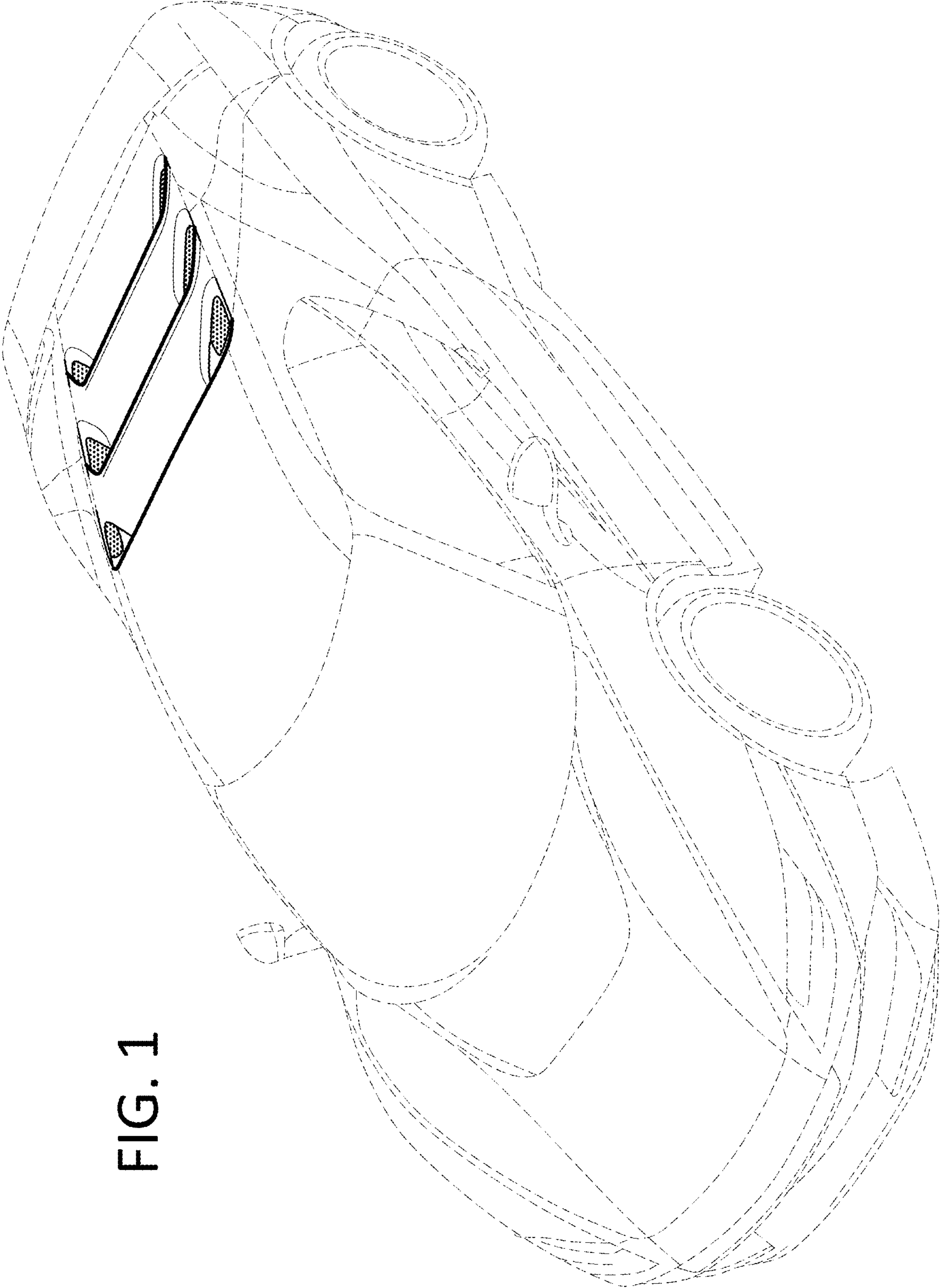


FIG. 1

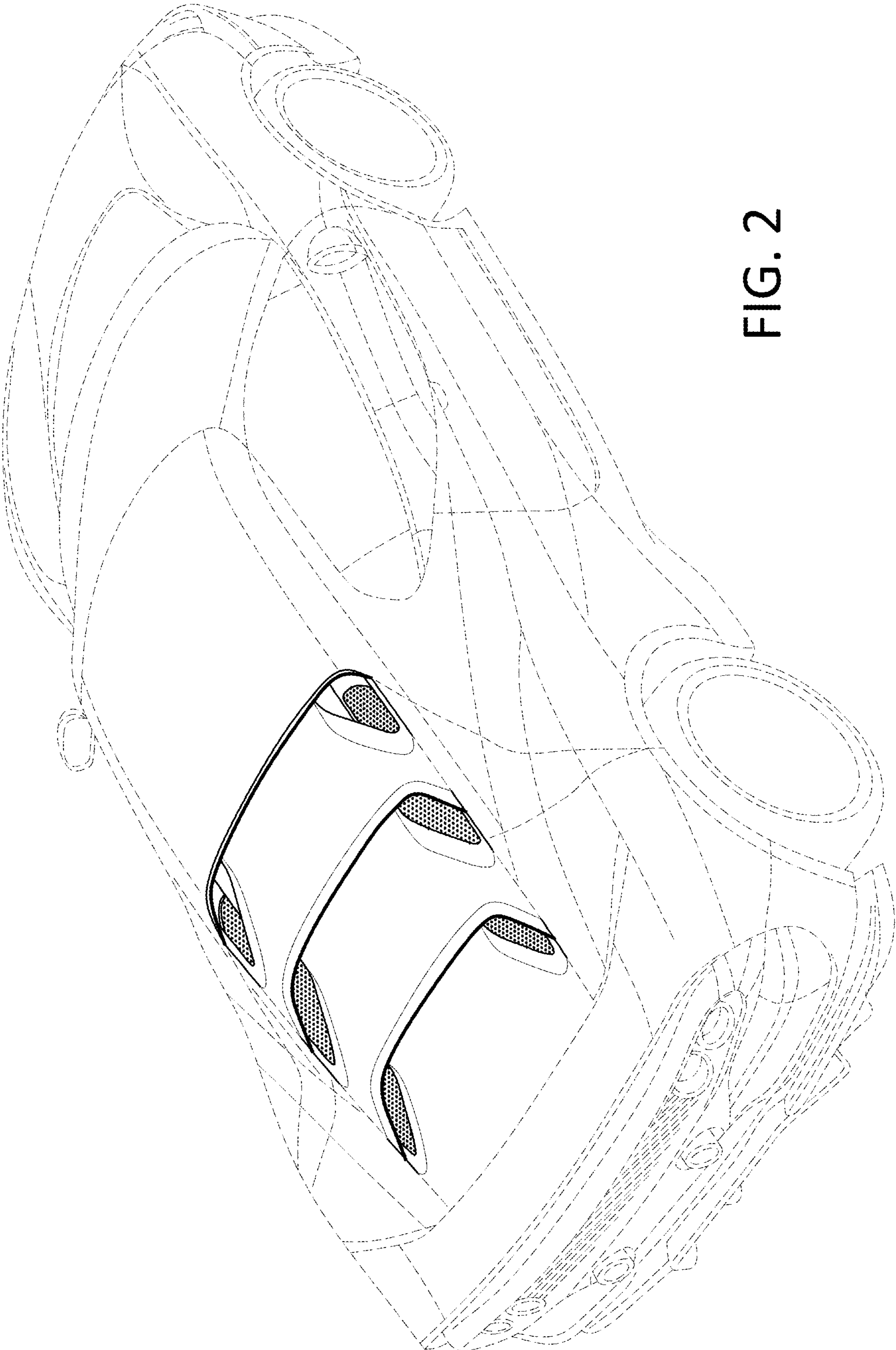


FIG. 2

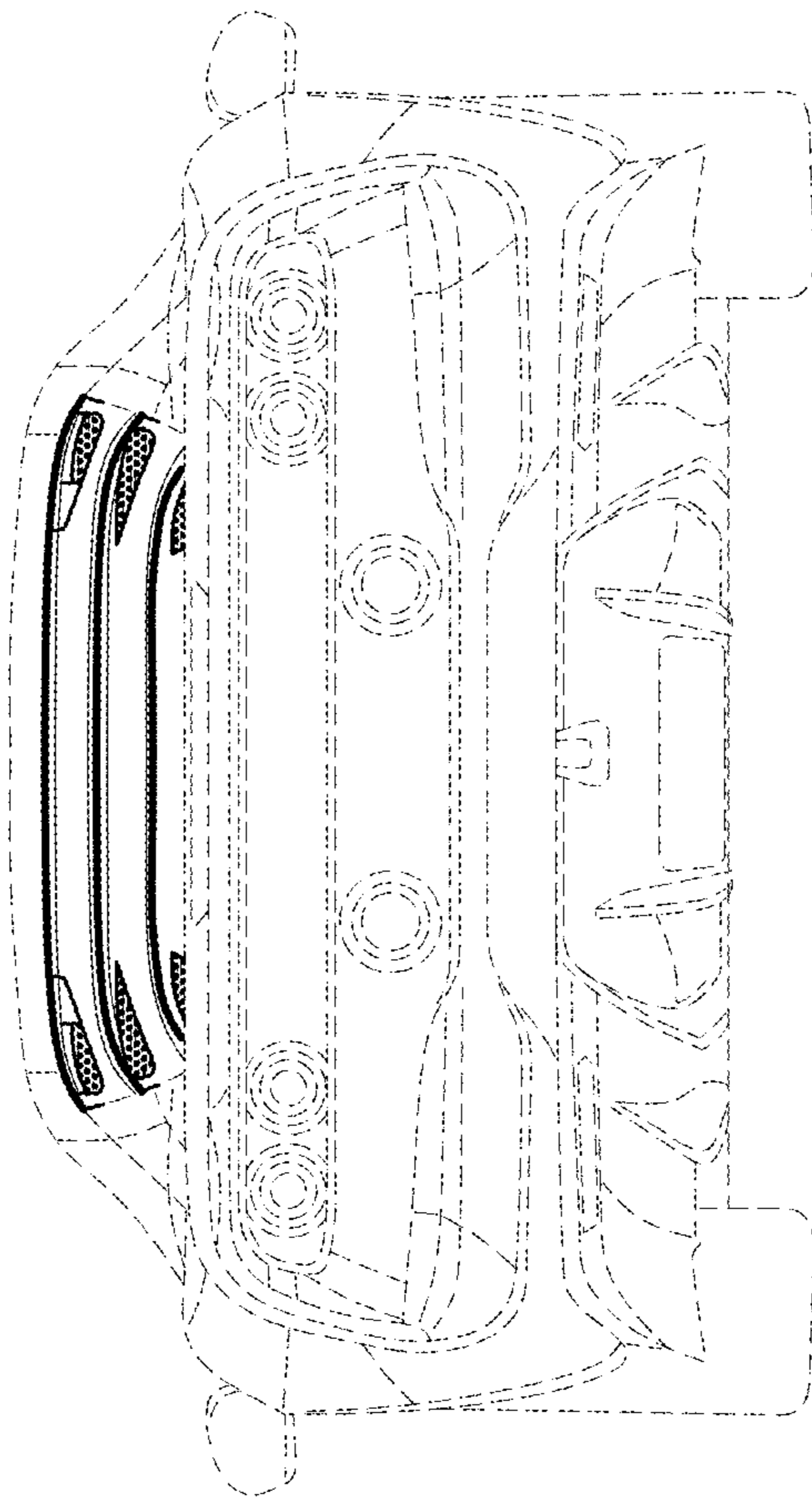


FIG. 3

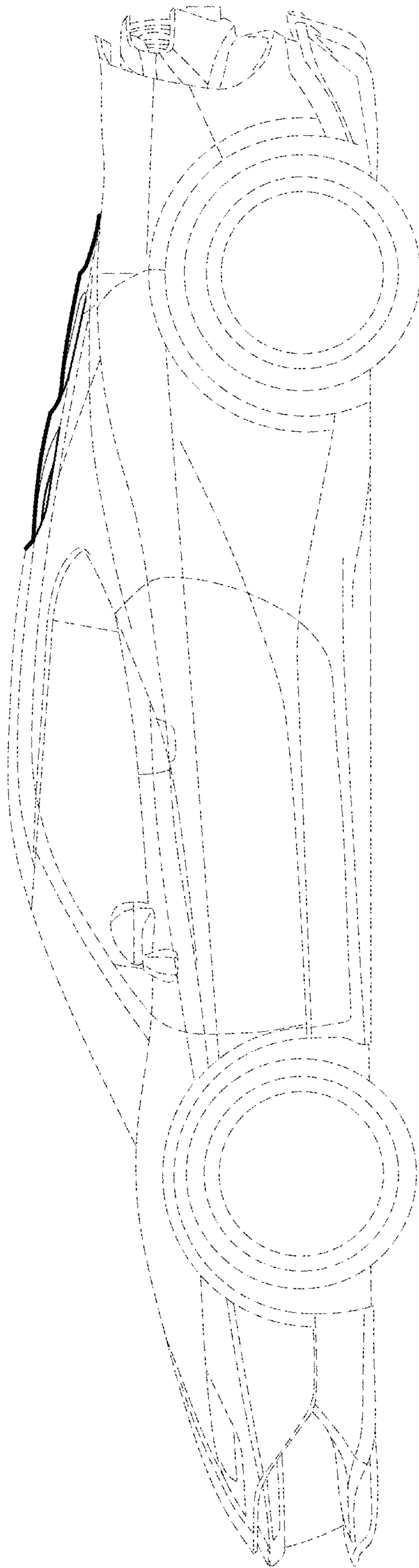


FIG. 4

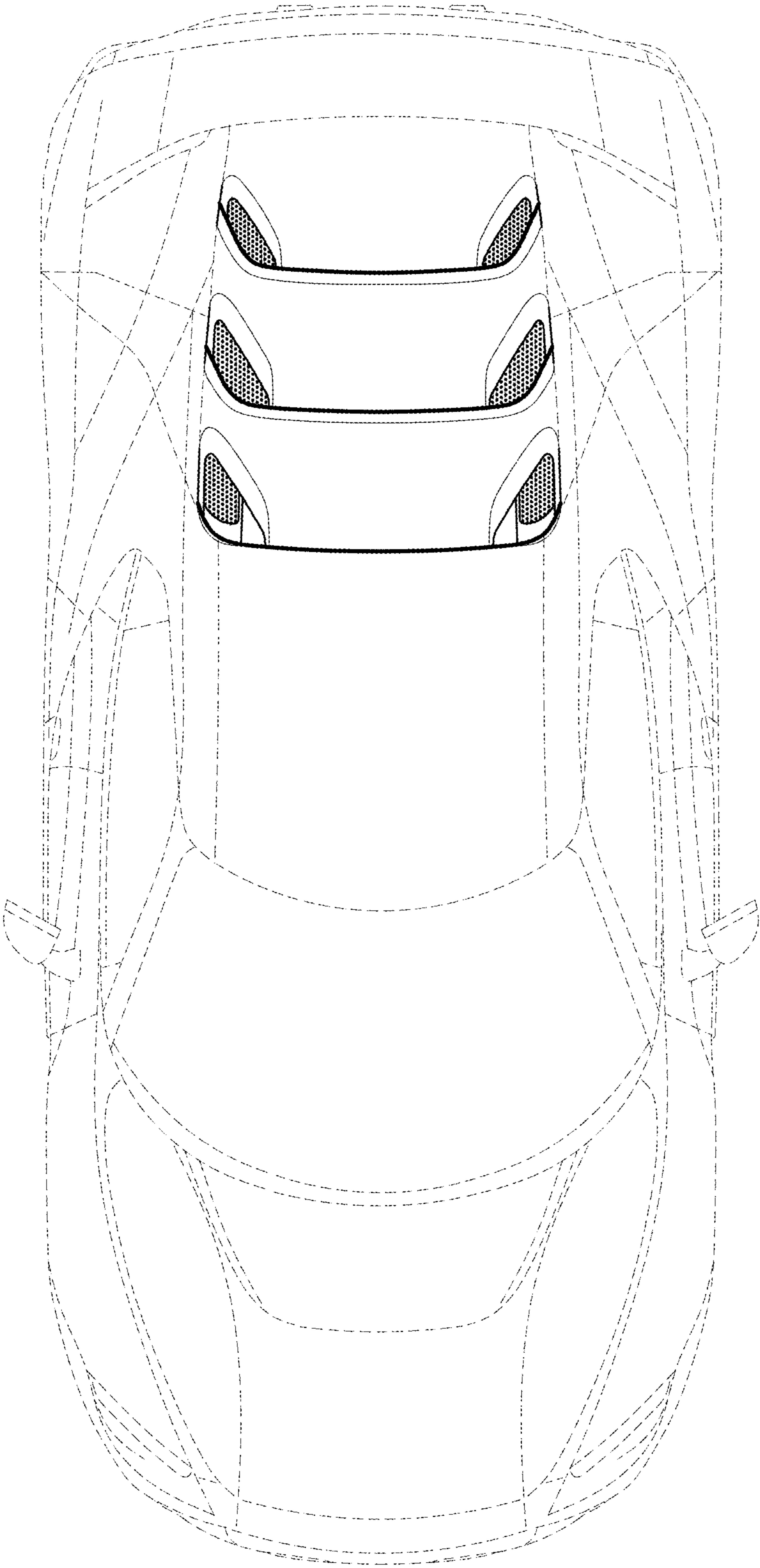


FIG. 5