



US00D984337S

(12) **United States Design Patent** (10) **Patent No.:** **US D984,337 S**
Tak (45) **Date of Patent:** **** Apr. 25, 2023**

(54) **FENDER PANEL FOR AUTOMOBILE**
(71) Applicants: **HYUNDAI MOTOR COMPANY,**
Seoul (KR); **Kia Corporation,** Seoul
(KR)

(72) Inventor: **Ho Sung Tak,** Seoul (KR)

(**) Term: **15 Years**

(21) Appl. No.: **35/514,003**

(22) Filed: **Jan. 3, 2022**

(80) **Hague Agreement Data**

Int. Filing Date: **Jan. 3, 2022**
Int. Reg. No.: **DM/219851**
Int. Reg. Date: **Jan. 3, 2022**
Int. Reg. Pub. Date: **Apr. 8, 2022**

(30) **Foreign Application Priority Data**

Nov. 1, 2021 (KR) 30-2021-0051815

(51) **LOC (14) Cl.** **12-16**

(52) **U.S. Cl.**
USPC **D12/184**

(58) **Field of Classification Search**
USPC D12/86, 88, 89, 90, 91, 92, 93, 96, 163,
D12/164, 167, 169, 181, 184, 185, 190,
D12/192, 196; D21/533, 548, 552, 561
CPC B62D 25/02; B62D 25/08; B62D 25/16;
B62D 25/161; B62D 25/168; B62D
25/18; B62D 25/182; B62D 25/184;
B60R 13/04; B60R 13/0861; B60R 19/00
See application file for complete search history.

(56) **References Cited**

U.S. PATENT DOCUMENTS

D598,347 S * 8/2009 Martin D12/184
D609,150 S * 2/2010 Krugger D12/184

D614,554 S * 4/2010 Noguchi D12/181
D669,405 S * 10/2012 Gifford D12/184
D686,552 S * 7/2013 Weil D12/184
D707,600 S * 6/2014 Johnson D12/184
D746,743 S * 1/2016 Behmer D12/184
D797,624 S * 9/2017 Nakamura D12/184
D797,625 S * 9/2017 Perkins D12/184
D841,542 S * 2/2019 Koo D12/184
D859,246 S * 9/2019 Thurber D12/181
D885,273 S * 5/2020 Woodhouse D12/181
D929,279 S * 8/2021 Woodhouse D12/184

* cited by examiner

Primary Examiner — Cary M Robinson
Assistant Examiner — Adam C Mager

(57) **CLAIM**

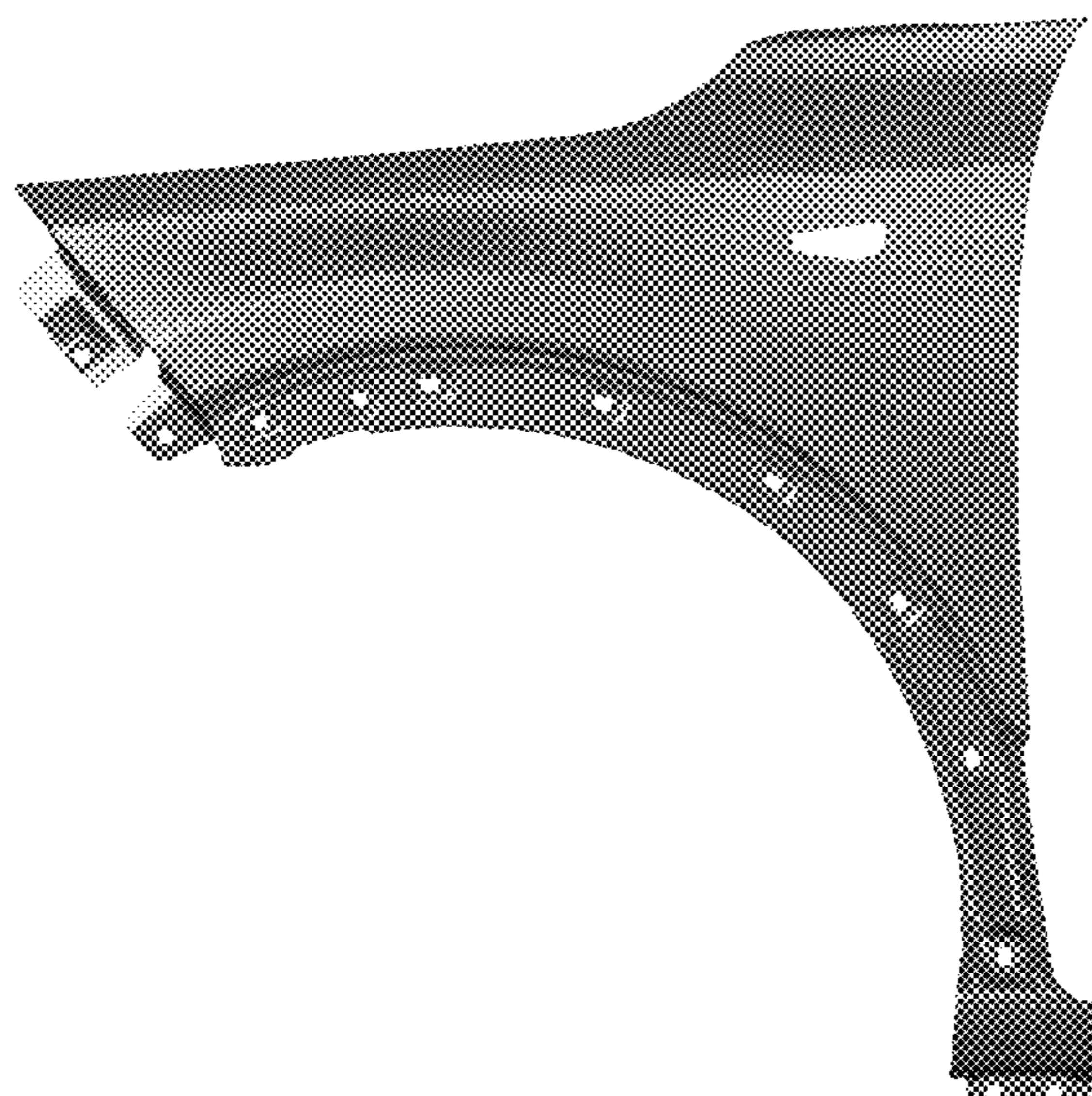
The ornamental design for a fender panel for automobile, as shown and described.

DESCRIPTION

- 1. Fender panel for automobile
- 1.1 : Perspective
- 1.2 : Front
- 1.3 : Back
- 1.4 : Left
- 1.5 : Right
- 1.6 : Top
- 1.7 : Bottom

Reproduction 1.1 is a perspective view of a fender panel for automobile showing our new design; reproduction 1.2 is a front elevation view thereof; reproduction 1.3 is a rear elevation view thereof; reproduction 1.4 is a left side elevation view thereof; reproduction 1.5 is a right side elevation view thereof; reproduction 1.6 is a top plan view thereof; reproduction 1.7 is a bottom plan view thereof.

1 Claim, 7 Drawing Sheets



1.1



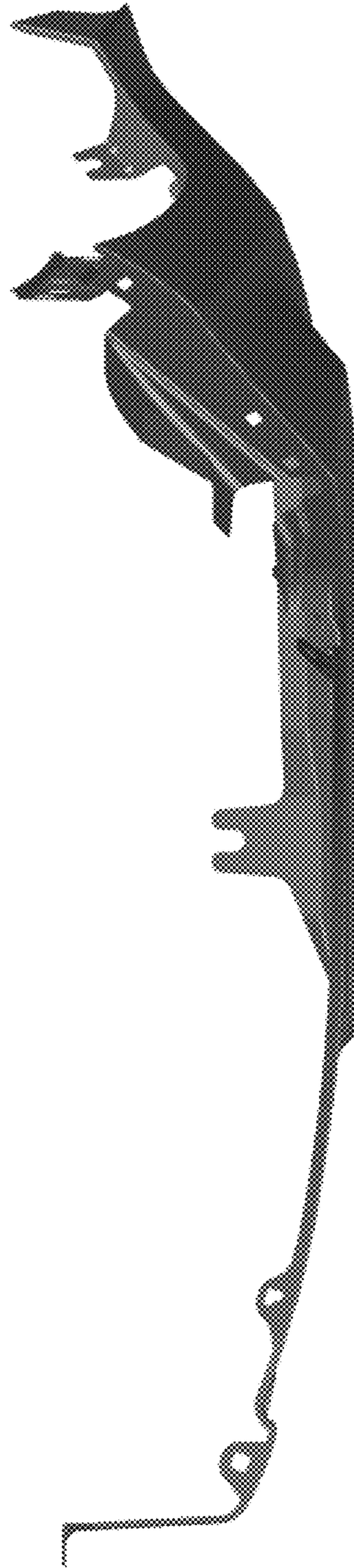
1.2



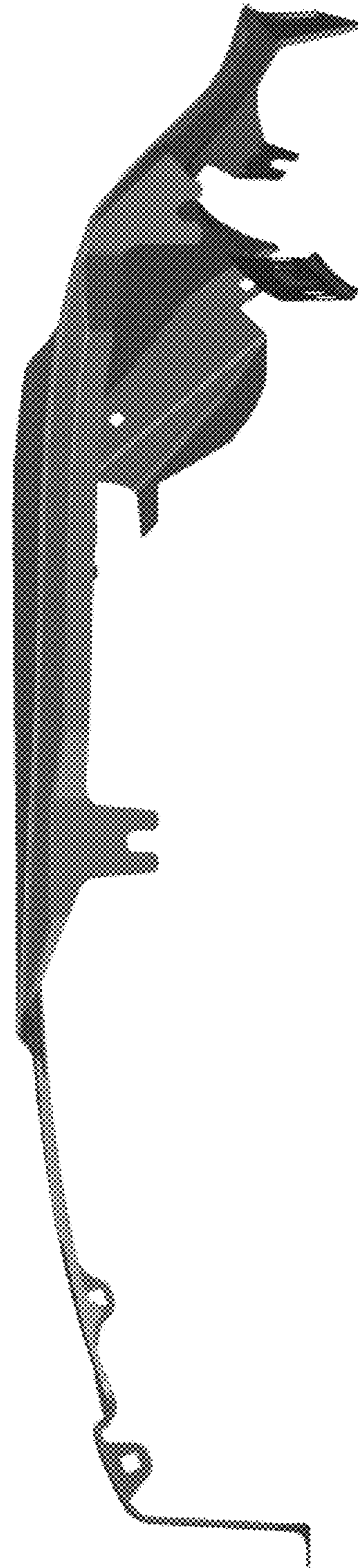
1.3



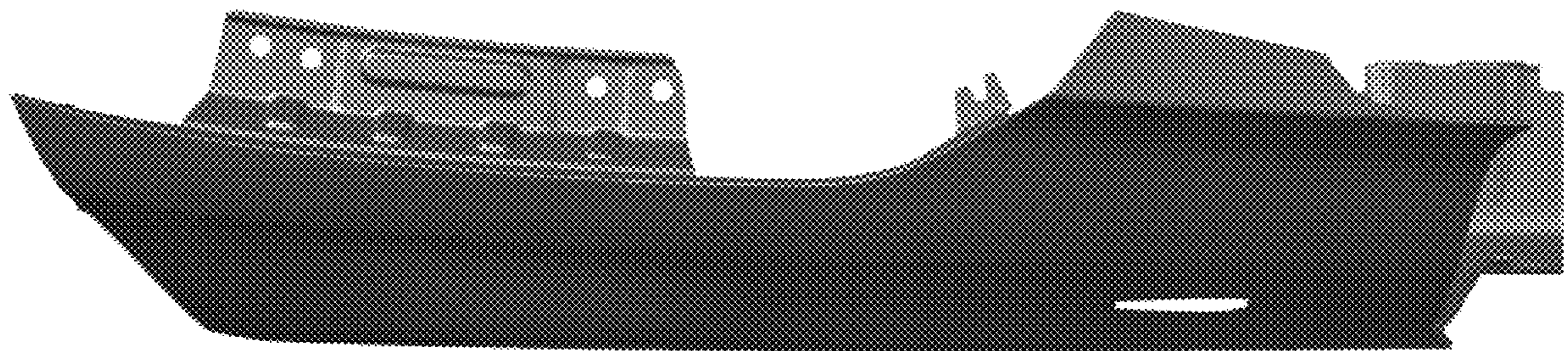
1.4



1.5



1.6



1.7

