



US00D984334S

(12) **United States Design Patent**
Neuber et al.

(10) **Patent No.:** **US D984,334 S**
(45) **Date of Patent:** **** Apr. 25, 2023**

(54) **BRAKE CALIPER FOR MACHINERY**

(71) Applicant: **Ringspann GmbH**, Bad Homburg (DE)

(72) Inventors: **Tobias Neuber**, Göppingen (DE);
Markus Cermak, Kirchheim unter
Teck (DE)

(73) Assignee: **RINGSPANN GmbH**, Bad Homburg
(DE)

(**) Term: **15 Years**

(21) Appl. No.: **35/513,120**

(22) Filed: **Nov. 10, 2021**

(80) **Hague Agreement Data**

Int. Filing Date: **Nov. 10, 2021**
Int. Reg. No.: **DM/217588**
Int. Reg. Date: **Nov. 10, 2021**
Int. Reg. Pub. Date: **Dec. 10, 2021**

(51) **LOC (14) Cl.** **12-16**

(52) **U.S. Cl.**
USPC **D12/180**

(58) **Field of Classification Search**
USPC D12/180; D15/143, 148, 199
CPC .. F01L 1/181; F16D 55/00; F16D 2055/0004;
F16D 2055/0016
See application file for complete search history.

(56) **References Cited**

U.S. PATENT DOCUMENTS

26,512 A * 12/1859 Morey F01L 1/181
74/519
D148,797 S * 2/1948 Klassett D15/130
D189,560 S * 1/1961 Munschauer, Jr. D15/123
4,895,087 A * 1/1990 Amos D05C 15/08
112/80.4
4,945,707 A * 8/1990 Cosmo B65B 11/04
53/64

5,249,648 A * 10/1993 Bejot F16D 65/18
192/70.23
D343,627 S * 1/1994 Raio D15/135
D373,340 S * 9/1996 Sands D12/180
5,579,873 A * 12/1996 Kohar B61H 5/00
188/73.31
D392,234 S * 3/1998 Wallace D12/180
D410,882 S * 6/1999 Robertson, III D12/180
D413,292 S * 8/1999 Jones D12/180
D417,178 S * 11/1999 Gallagher D12/180
D442,900 S * 5/2001 Separautzki D12/180
D527,321 S * 8/2006 Gherardi D12/180
7,121,191 B1 * 10/2006 Fisher B60T 17/083
92/63
D546,252 S * 7/2007 Belisle D12/180
(Continued)

Primary Examiner — Patricia A Palasik
(74) *Attorney, Agent, or Firm* — Volpe Koenig

(57) **CLAIM**

The ornamental design for a brake caliper for machinery, as shown and described.

DESCRIPTION

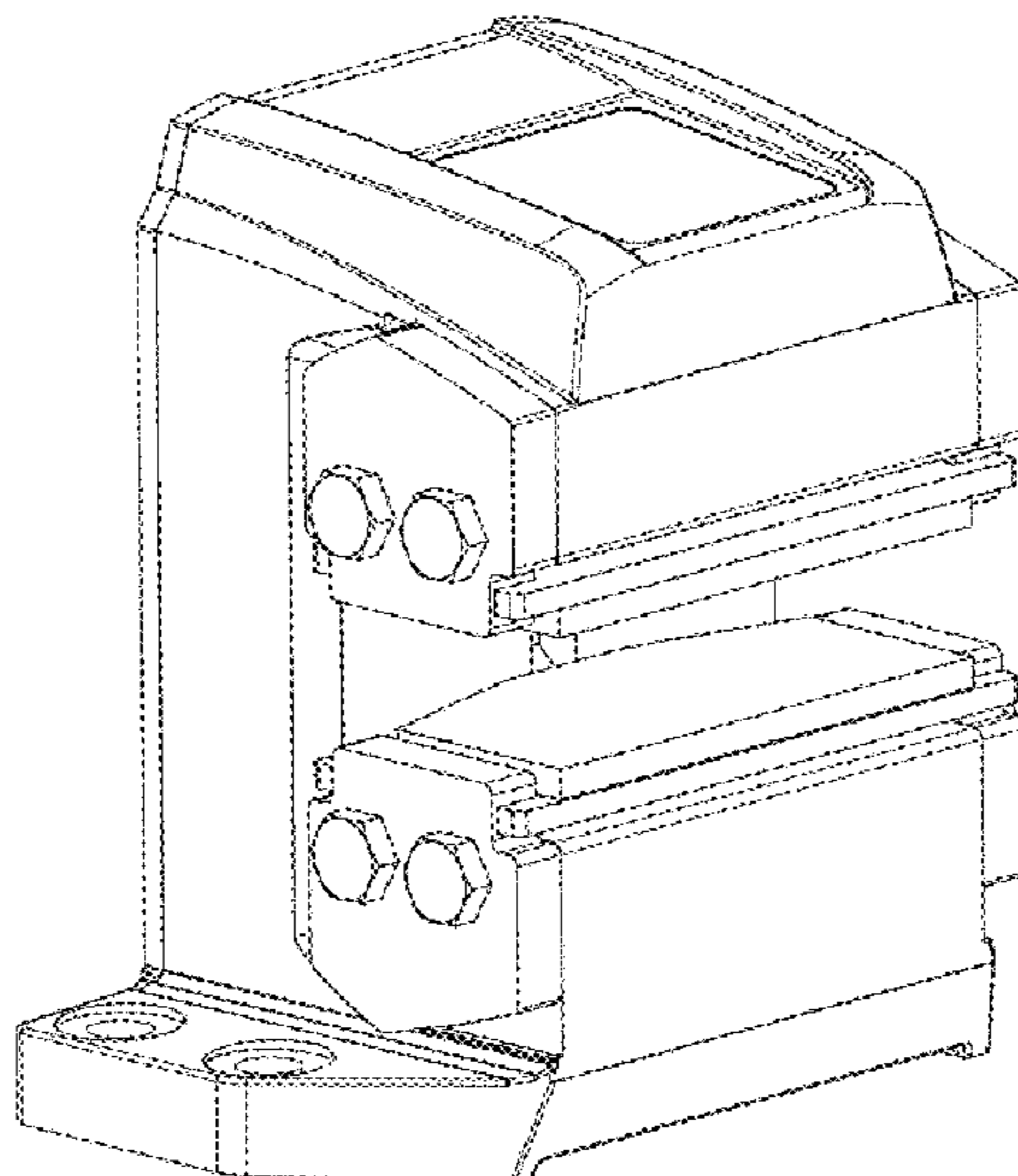
1. Brake caliper for machinery

- 1.1 : Perspective
- 1.2 : Right
- 1.3 : Left
- 1.4 : Front
- 1.5 : Back
- 1.6 : Top
- 1.7 : Bottom

Fig. 1.1 is a top, front and right side perspective view of a brake caliper showing our new design; Fig. 1.2 is a right side elevational view thereof; Fig. 1.3 is a left side elevational view thereof; Fig. 1.4 is a front elevational view thereof; Fig. 1.5 is a rear elevational view thereof; Fig. 1.6 is a top plan view thereof; and Fig. 1.7 is a bottom plan view thereof.

The broken lines in the drawings depict portions of the brake caliper for machinery which form no part of the claimed design.

1 Claim, 7 Drawing Sheets



(56)

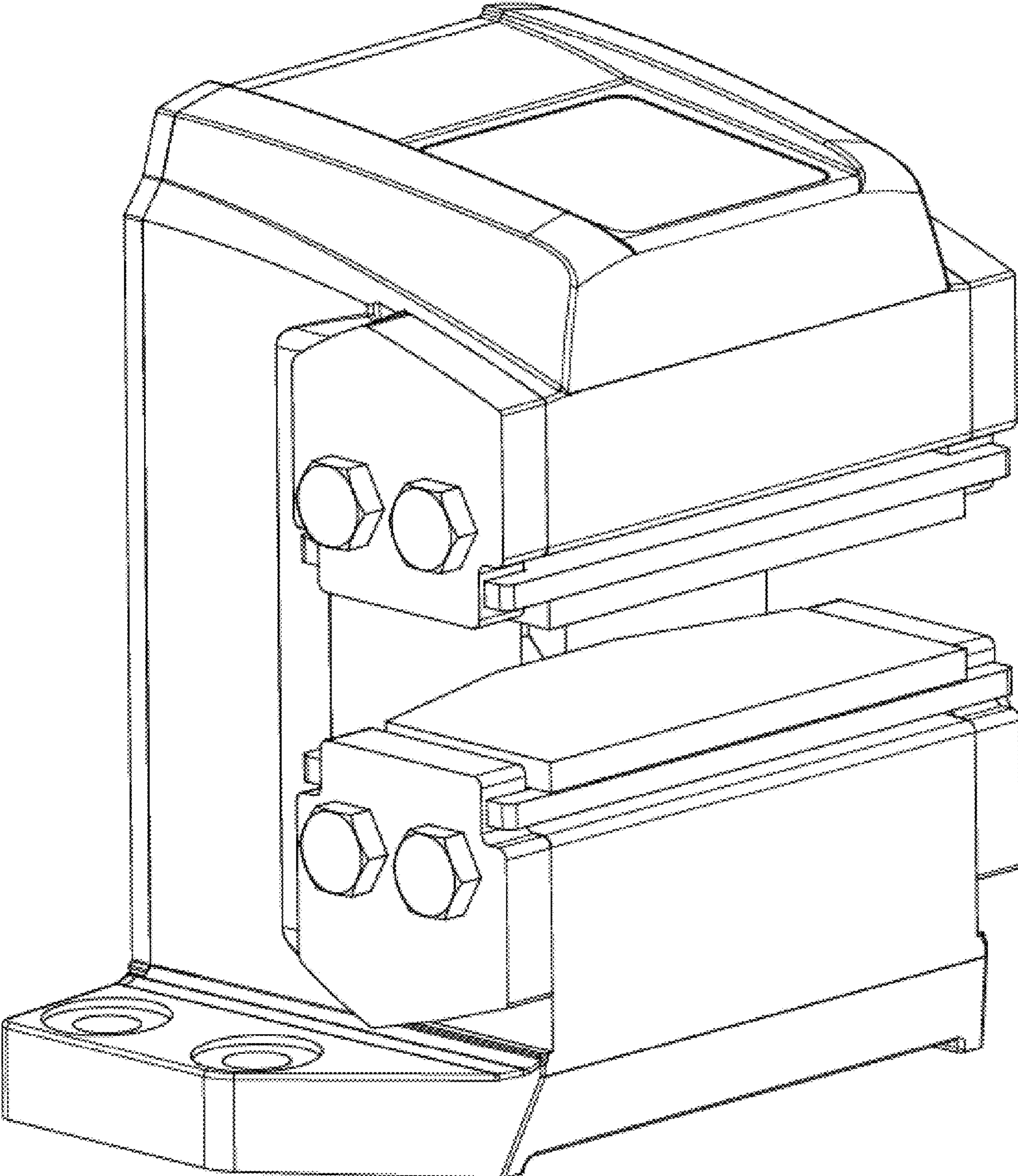
References Cited

U.S. PATENT DOCUMENTS

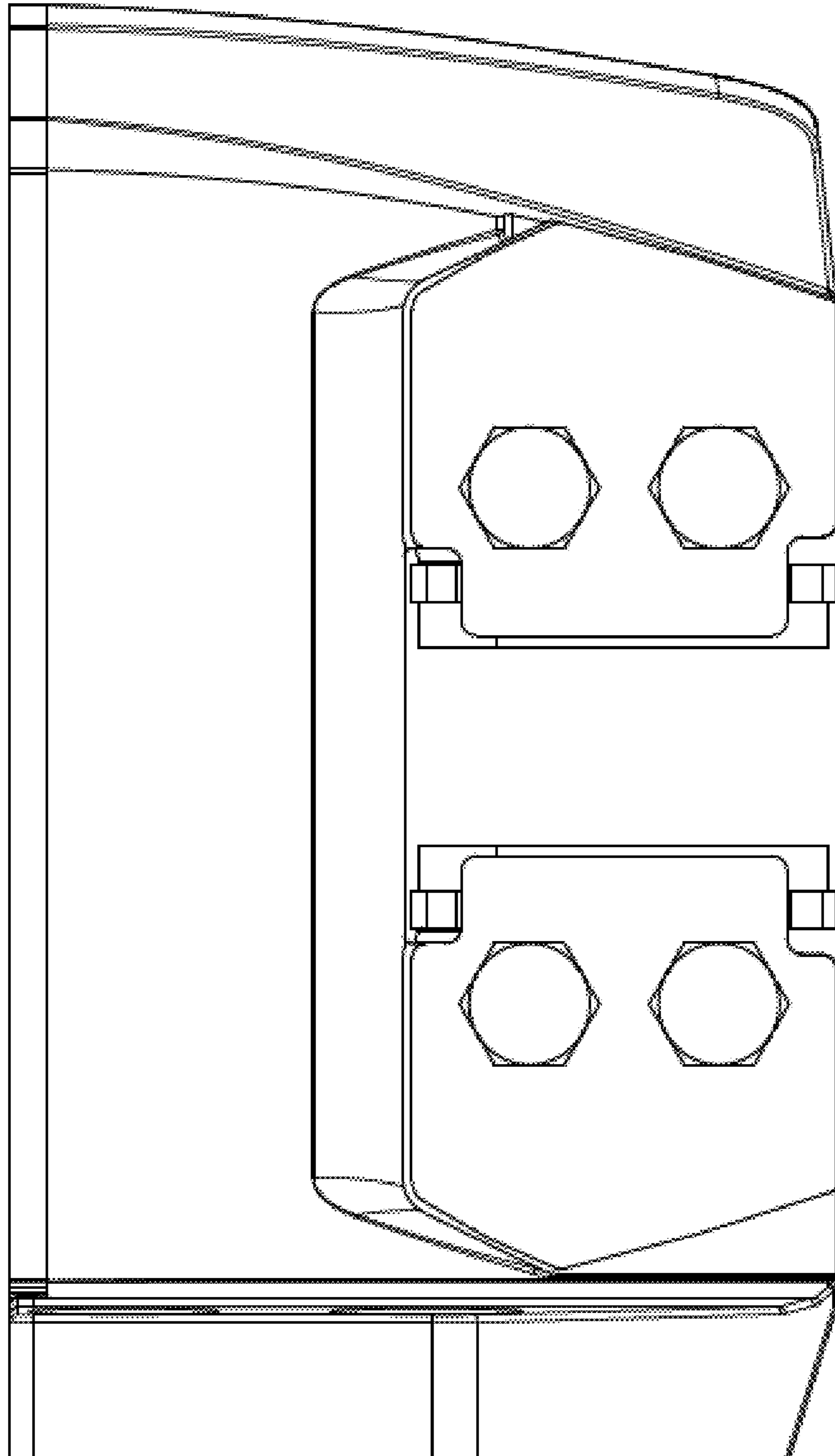
D700,551	S *	3/2014	Davenport, III	D12/180
8,955,652	B2 *	2/2015	Hishinuma	F16D 69/04
				D12/180
D804,375	S *	12/2017	Crippa	D12/180
D805,012	S *	12/2017	Crippa	D12/180
D862,328	S *	10/2019	Scotti	D12/180
D867,239	S *	11/2019	Kodama	D12/180
D878,259	S *	3/2020	Topp	D12/180
D897,914	S *	10/2020	Kodama	D12/180
2005/0129474	A1 *	6/2005	Winfough	B23Q 5/261
				409/36

* cited by examiner

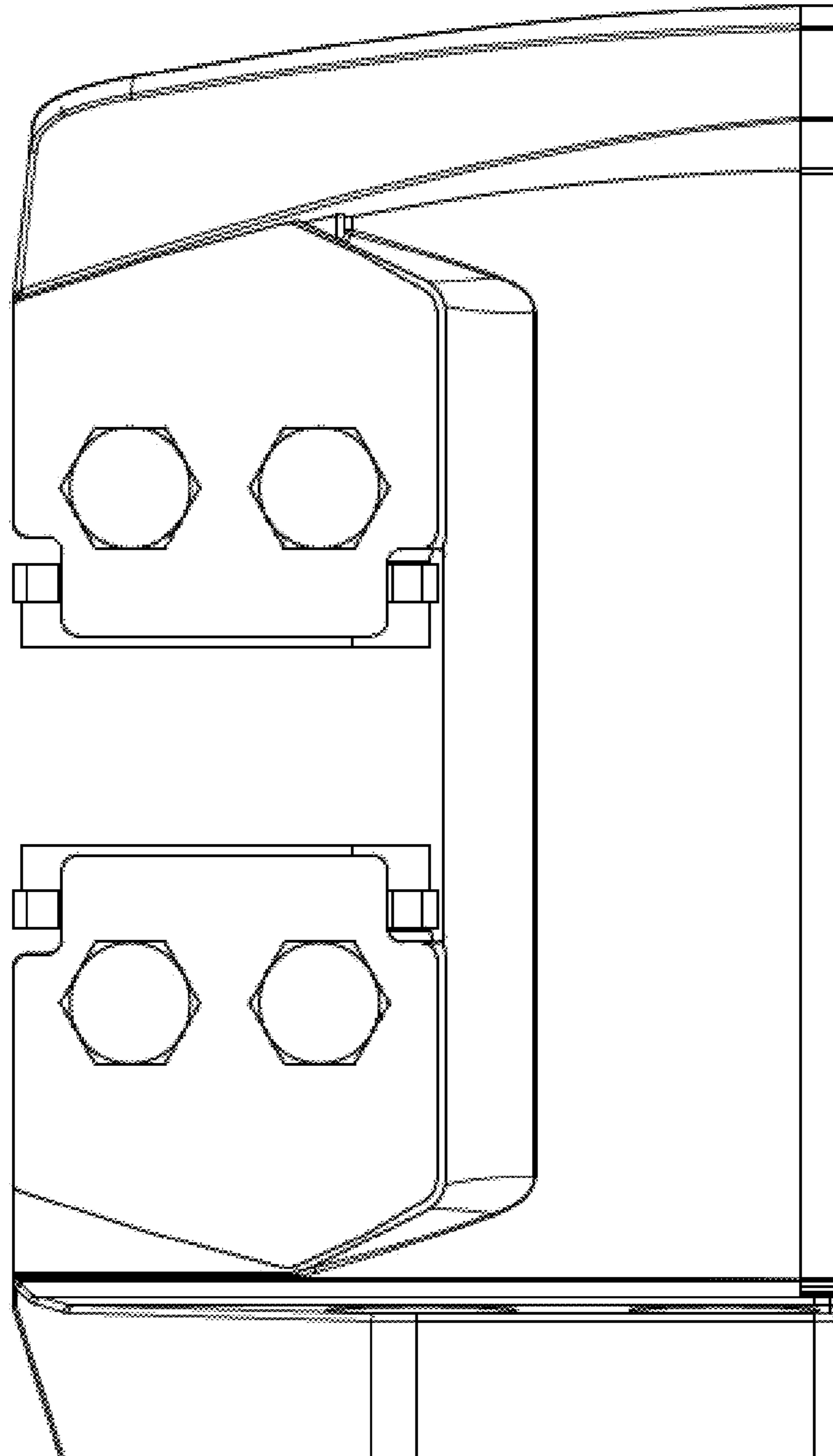
1.1



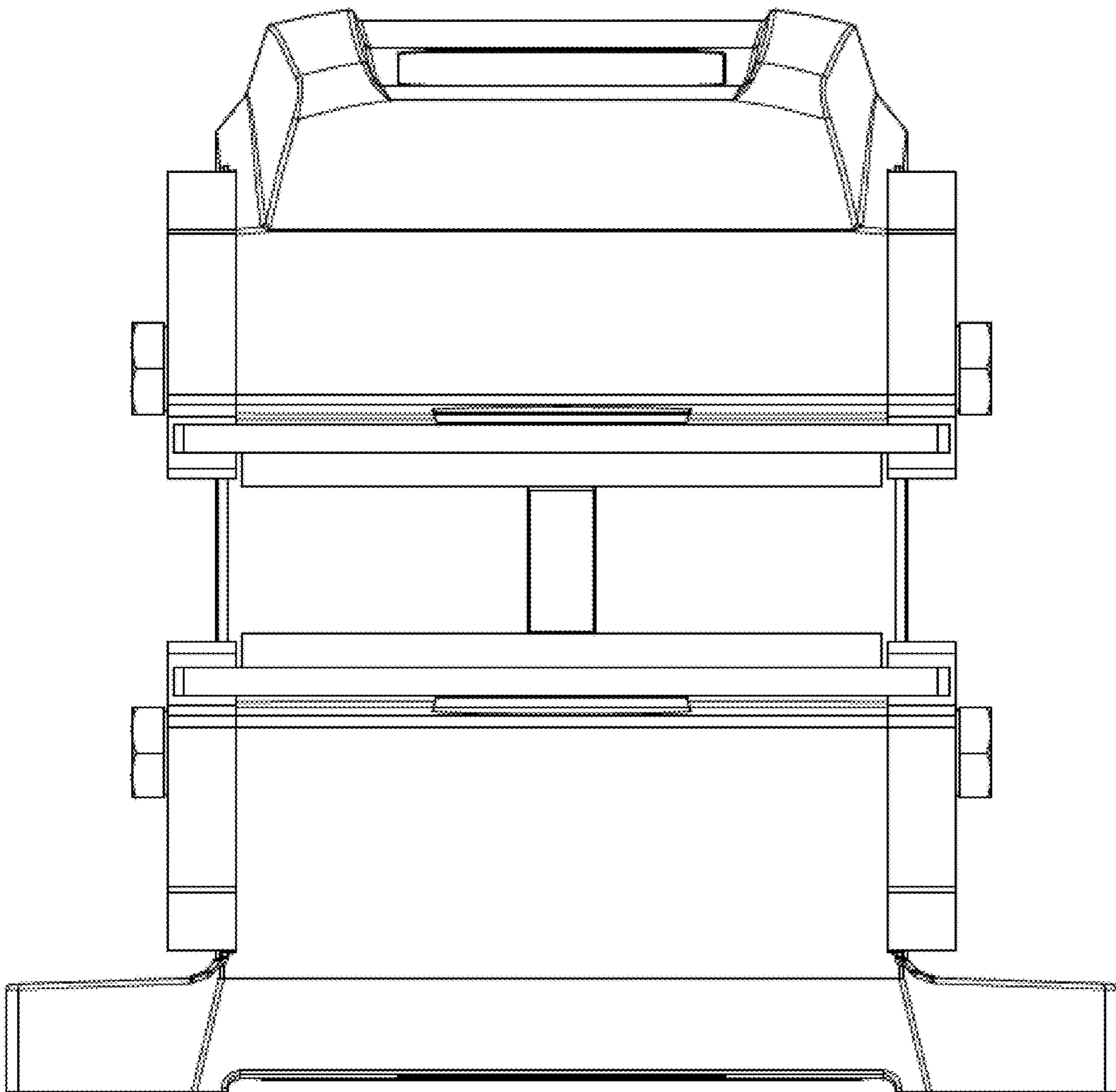
1.2



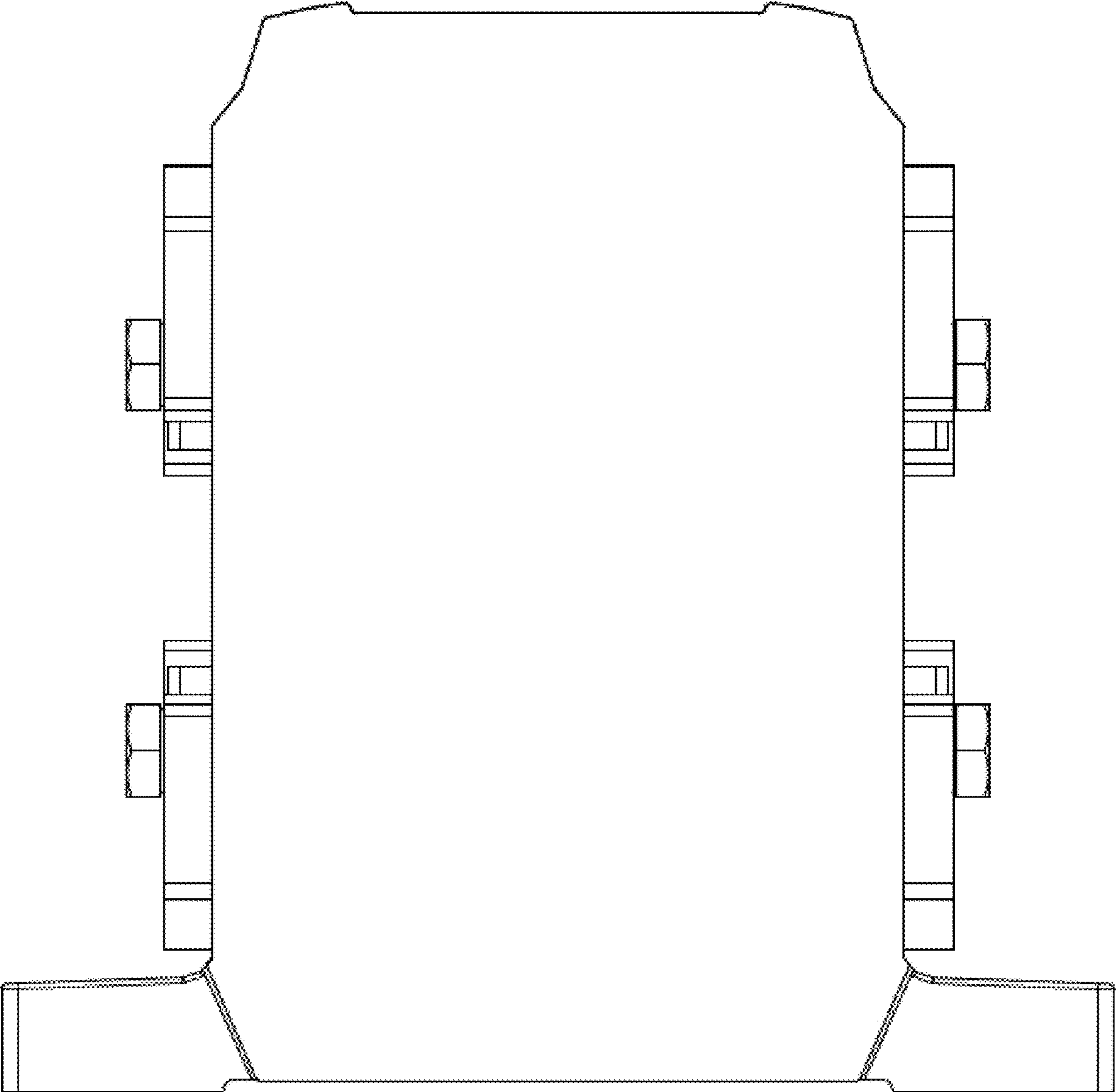
1.3



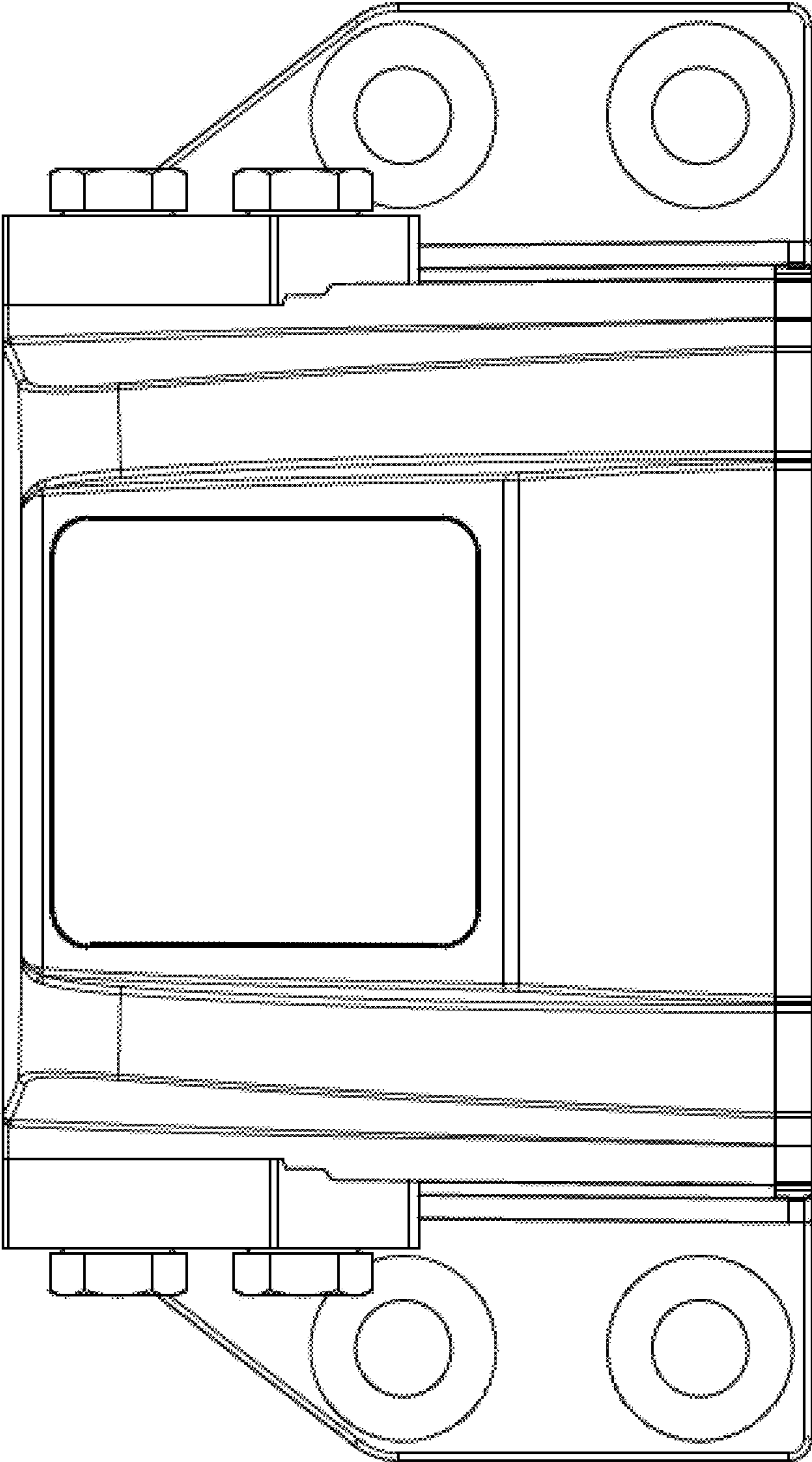
1.4



1.5



1.6



1.7

