



US00D984331S

(12) **United States Design Patent** (10) **Patent No.:** **US D984,331 S**
Kang et al. (45) **Date of Patent:** **** Apr. 25, 2023**

(54) **RADIATOR GRILLE FOR AUTOMOBILE**

(56) **References Cited**

(71) Applicants: **HYUNDAI MOTOR COMPANY**,
Seoul (KR); **Kia Corporation**, Seoul
(KR)

U.S. PATENT DOCUMENTS

D903,541 S	*	12/2020	Russo	D12/163
D925,411 S	*	7/2021	Myrberg	D12/163
D933,547 S	*	10/2021	Hamilton	D12/163
D944,131 S	*	2/2022	Ponomarenko	D12/163
D950,432 S	*	5/2022	Beire	D12/163
D956,634 S	*	7/2022	Harada	D12/163
D964,891 S	*	9/2022	Kabaň	D12/91
D972,461 S	*	12/2022	Prevoteaux	D12/163

(72) Inventors: **Byung Hak Kang**, Hwaseong-si (KR);
Hwan Wook Baek,
Chungcheongbuk-do (KR)

(**) Term: **15 Years**

* cited by examiner

(21) Appl. No.: **35/514,000**

Primary Examiner — Melody N Brown

(22) Filed: **Jan. 3, 2022**

(57) **CLAIM**

The ornamental design for a radiator grille for automobile,
as shown and described.

(80) **Hague Agreement Data**

DESCRIPTION

Int. Filing Date: **Jan. 3, 2022**
Int. Reg. No.: **DM/219833**
Int. Reg. Date: **Jan. 3, 2022**
Int. Reg. Pub. Date: **Apr. 8, 2022**

- 1. Radiator grille for automobile
- 1.1 : front perspective view
- 1.2 : front elevation view
- 1.3 : rear elevation view
- 1.4 : left side elevation view
- 1.5 : right side elevation view
- 1.6 : top plan view
- 1.7 : bottom plan view

(30) **Foreign Application Priority Data**

Nov. 16, 2021 (KR) 30-2021-0054551

(51) **LOC (14) Cl.** **12-16**

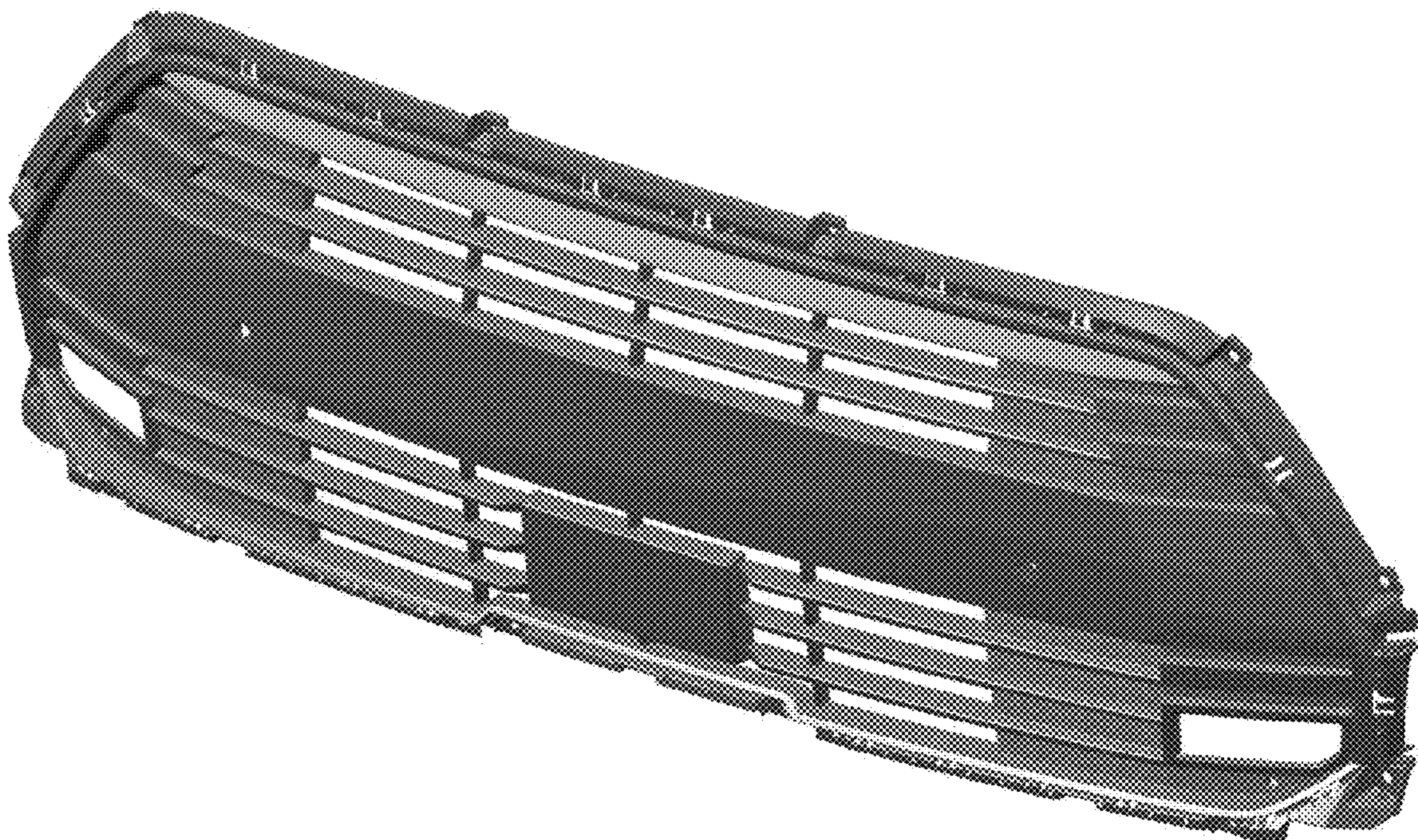
(52) **U.S. Cl.**
USPC **D12/163**

(58) **Field of Classification Search**
USPC D12/163, 196, 86, 90-92, 169, 164, 171;
293/193.11; 180/68.1, 68.6
CPC B62B 9/16; B60K 11/08; B62D 25/08;
B60R 19/52

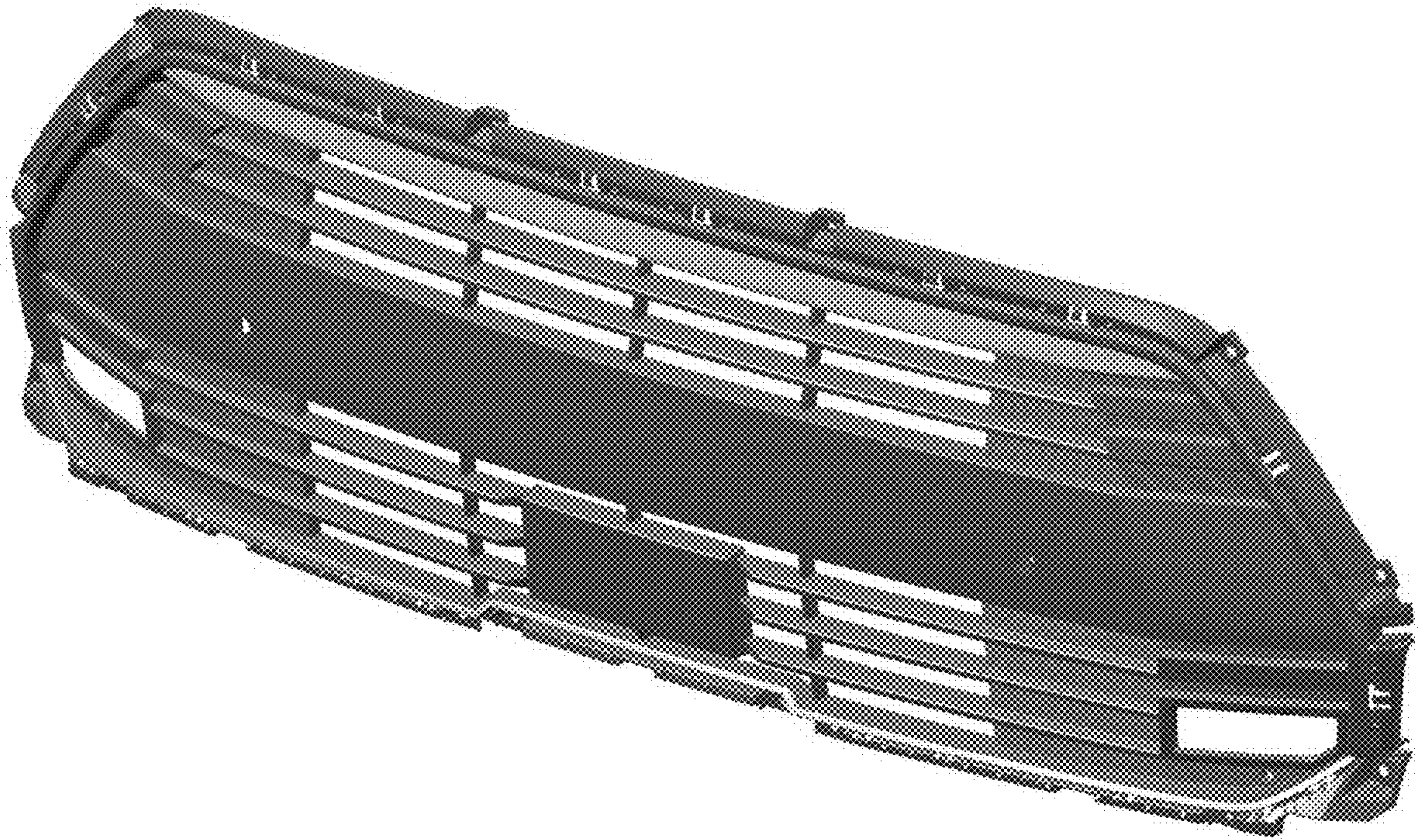
Reproduction **1.1** is a perspective view of a radiator grille for automobile showing our new design; reproduction **1.2** is a front elevation view thereof; reproduction **1.3** is a rear elevation view thereof; reproduction **1.4** is a left side elevation view thereof; reproduction **1.5** is a right side elevation view thereof; reproduction **1.6** is a top plan view thereof; reproduction **1.7** is a bottom plan view thereof.

See application file for complete search history.

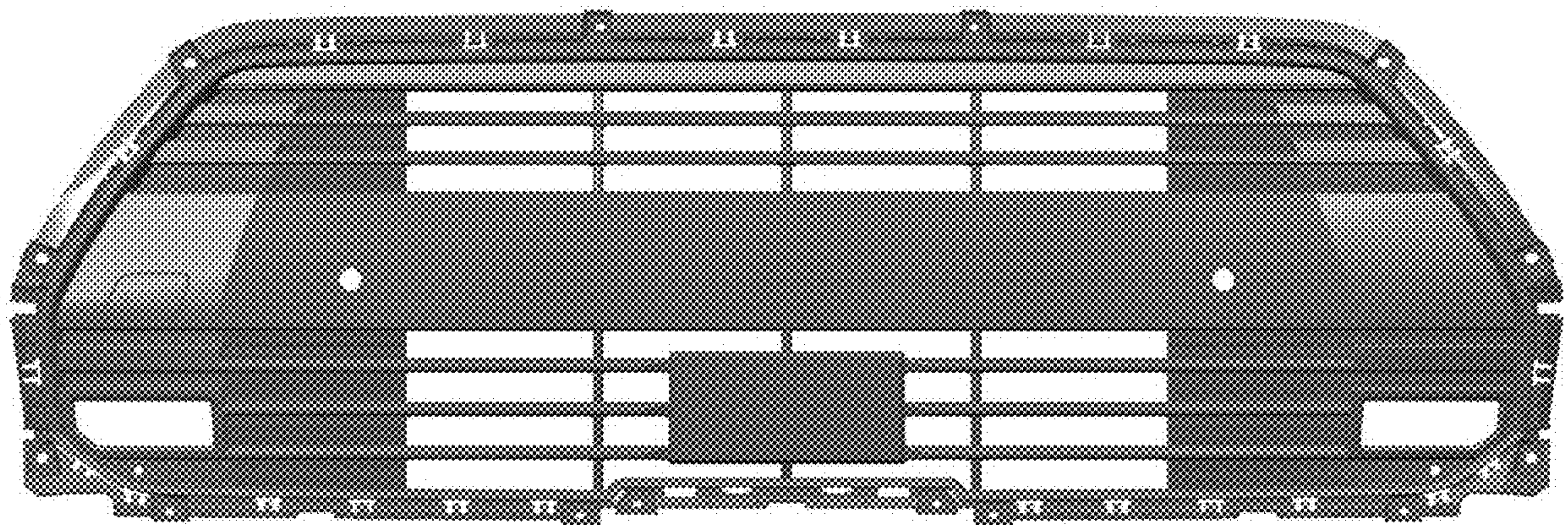
1 Claim, 7 Drawing Sheets



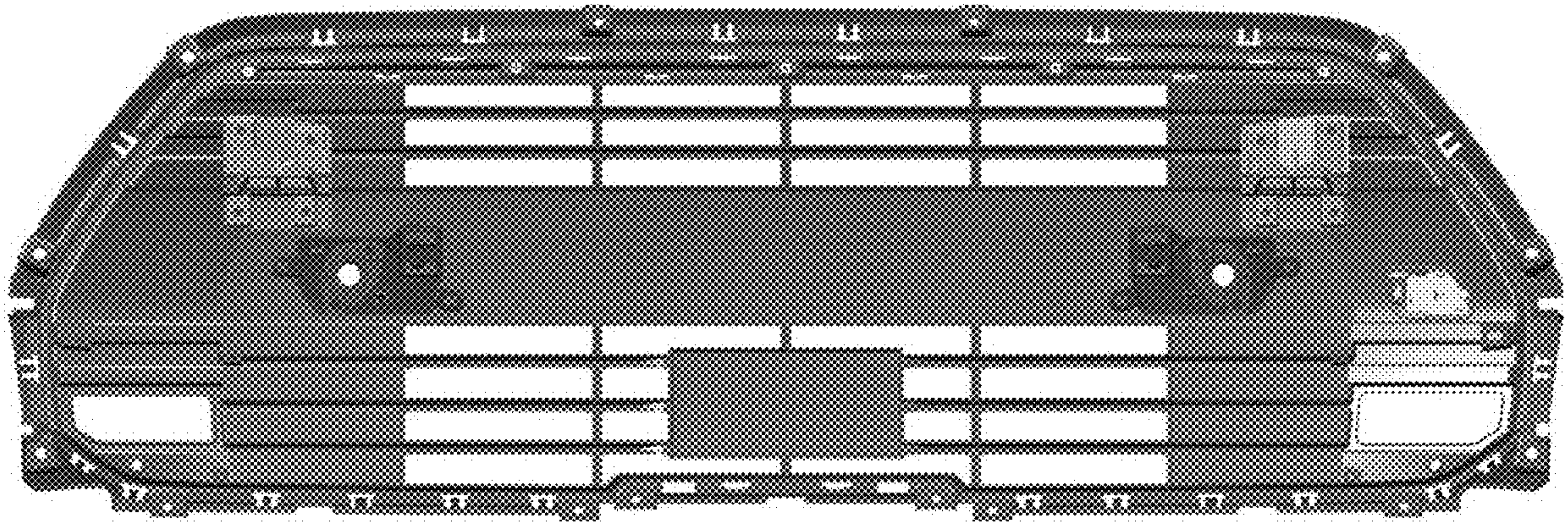
1.1



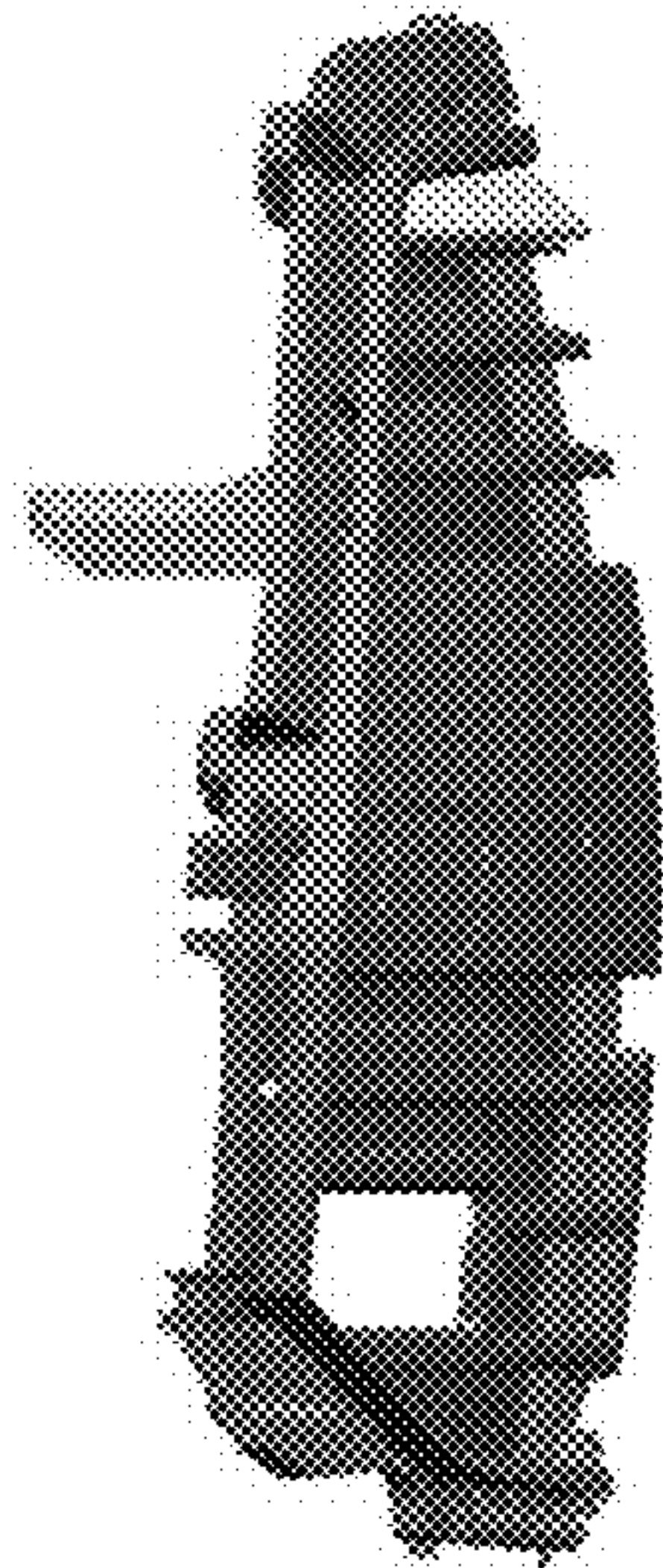
1.2



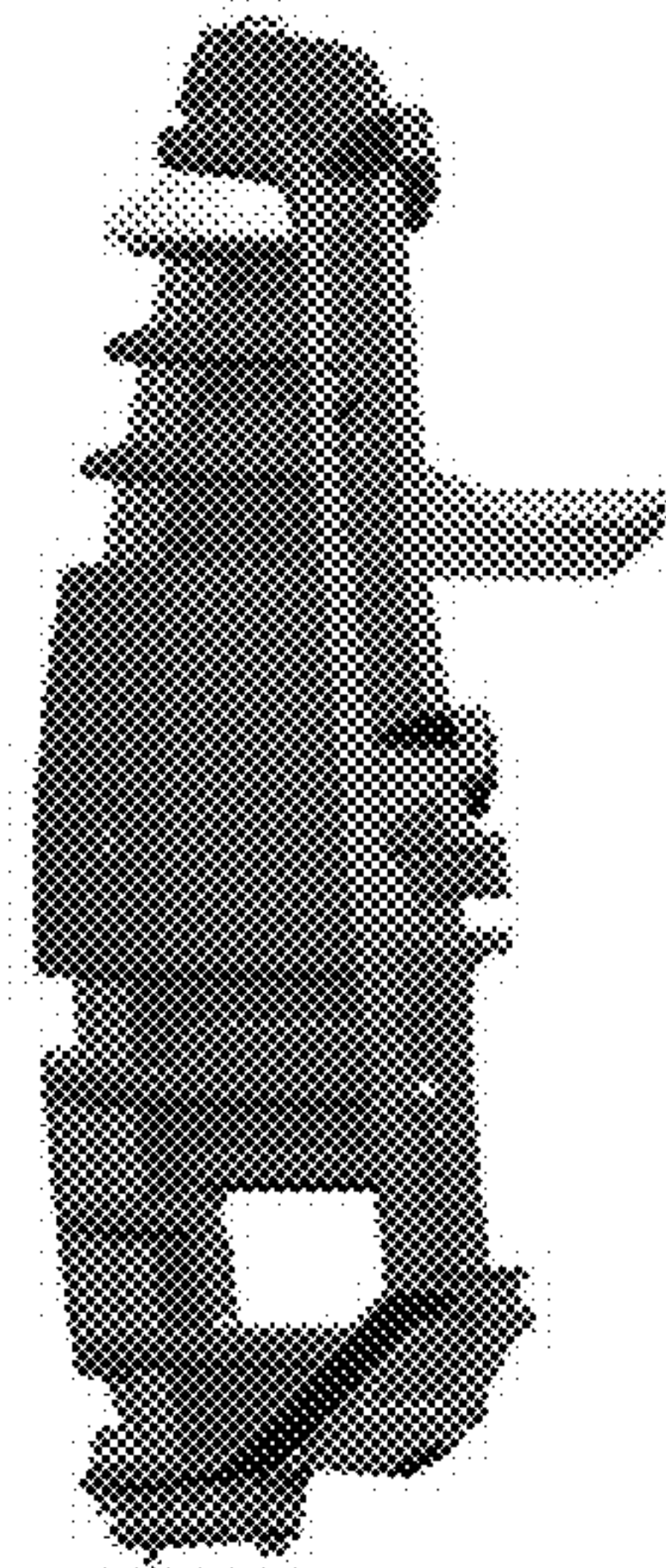
1.3



1.4



1.5



1.6



1.7

