



US00D984328S

(12) **United States Design Patent**  
**Savioli**

(10) **Patent No.:** **US D984,328 S**

(45) **Date of Patent:** **\*\* Apr. 25, 2023**

(54) **STAND RAIL**

(71) Applicant: **VIVE HEALTH LLC**, Naples, FL  
(US)

(72) Inventor: **Gaetano Savioli**, Naples, FL (US)

(73) Assignee: **VIVE HEALTH LLC**, Naples, FL  
(US)

(\*\*) Term: **15 Years**

(21) Appl. No.: **29/740,791**

(22) Filed: **Jul. 7, 2020**

(51) **LOC (14) Cl.** ..... **12-12**

(52) **U.S. Cl.**  
USPC ..... **D12/133**

(58) **Field of Classification Search**  
USPC ..... D12/130, 133; D24/155, 188-192, 199,  
D24/200, 20  
CPC .... A61G 5/14; A61G 7/1038; A61G 2200/36;  
A61G 7/053; A61G 7/1042; A61H 3/00  
See application file for complete search history.

(56) **References Cited**

**U.S. PATENT DOCUMENTS**

- D364,024 S \* 11/1995 O'Keefe ..... D34/28
- D395,851 S \* 7/1998 Ostwalt ..... D12/128
- D483,304 S \* 12/2003 Ford ..... D12/133
- D835,010 S \* 12/2018 Kaufman ..... A47C 7/546  
D12/130
- D885,584 S \* 5/2020 Lopez ..... D24/188

- D915,118 S \* 4/2021 Savioli ..... D6/718.3
- 11,191,400 B2 \* 12/2021 Lopez ..... A47K 17/026
- D951,460 S \* 5/2022 Park ..... D24/188

\* cited by examiner

*Primary Examiner* — Gino Colan

(74) *Attorney, Agent, or Firm* — Workman Nydegger

(57) **CLAIM**

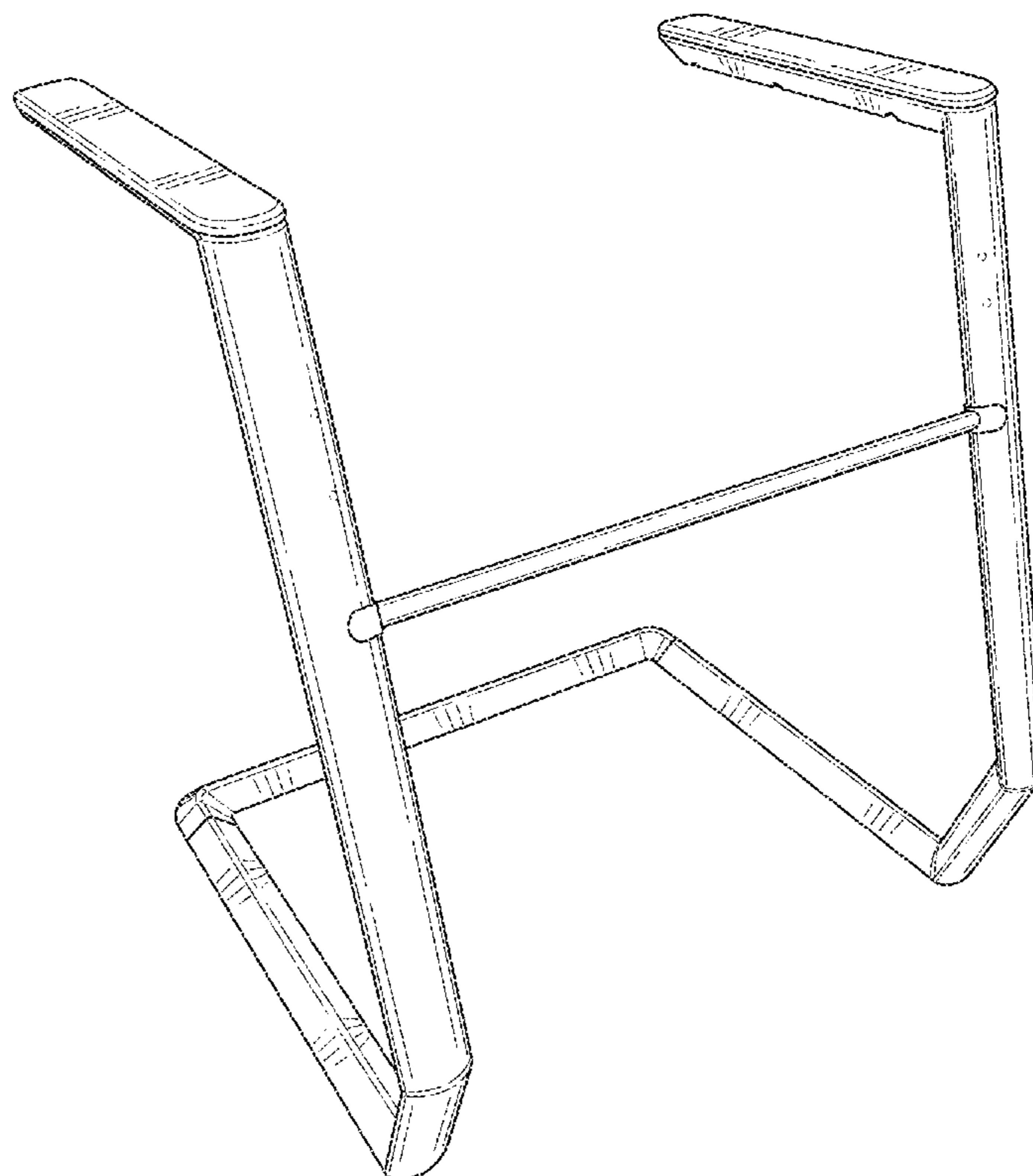
The ornamental design for a stand rail, as shown and described.

**DESCRIPTION**

FIG. 1 is a front perspective view of a stand rail showing the new design;  
 FIG. 2 is a front elevation view thereof;  
 FIG. 3 is a back elevation view thereof;  
 FIG. 4 is a right elevation view thereof;  
 FIG. 5 is a left elevation view thereof;  
 FIG. 6 is a top plan view thereof;  
 FIG. 7 is a bottom plan view thereof;  
 FIG. 8 is another front perspective view of a stand rail showing the new design;  
 FIG. 9 is another front elevation view thereof;  
 FIG. 10 is another back elevation view thereof;  
 FIG. 11 is another right elevation view thereof;  
 FIG. 12 is another left elevation view thereof;  
 FIG. 13 is another top plan view thereof; and,  
 FIG. 14 is another bottom plan view thereof.

The broken lines in the drawings are for the purpose of illustrating portions of the article that form no part of the claimed design.

**1 Claim, 14 Drawing Sheets**



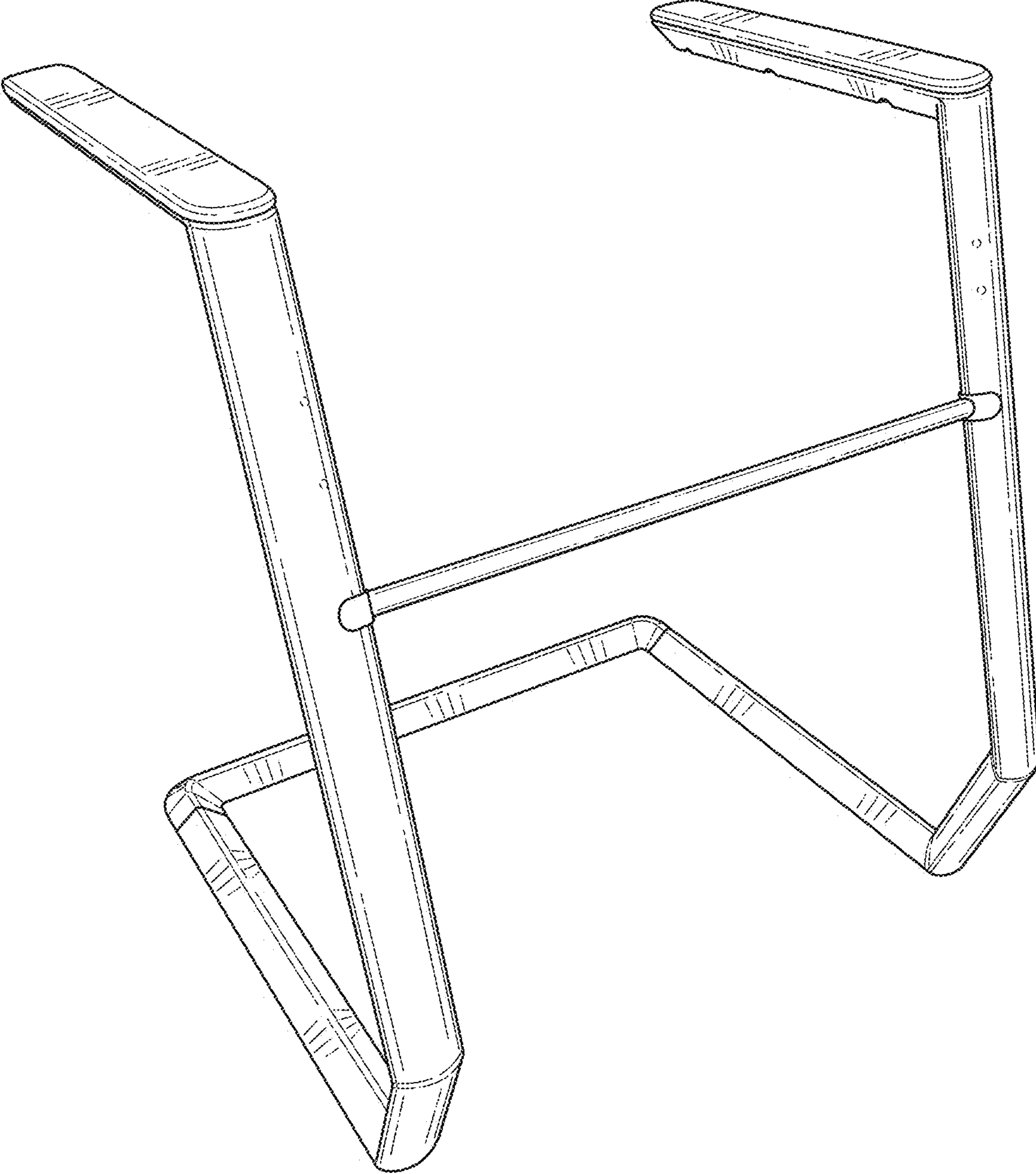


FIG. 1

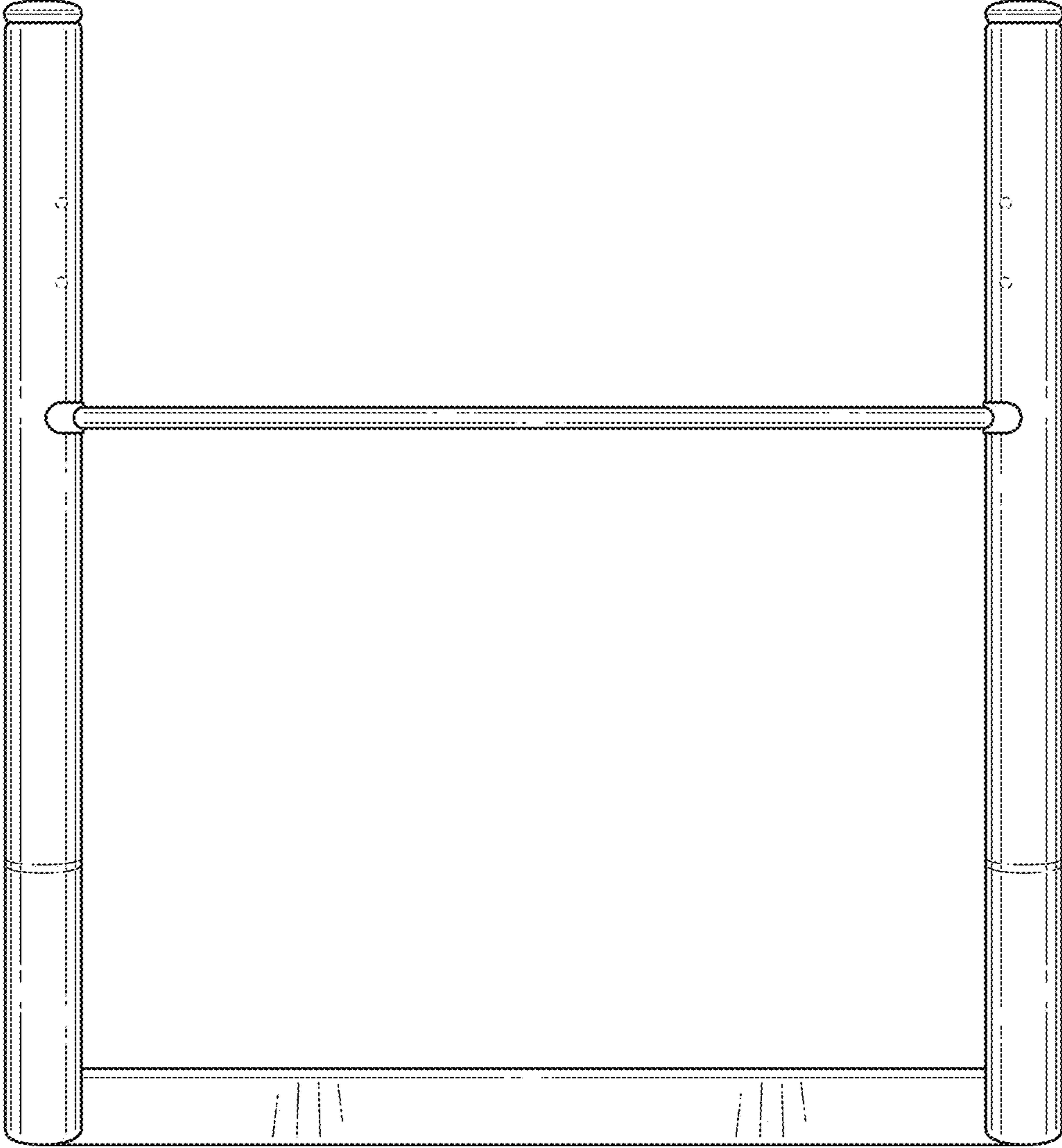


FIG. 2

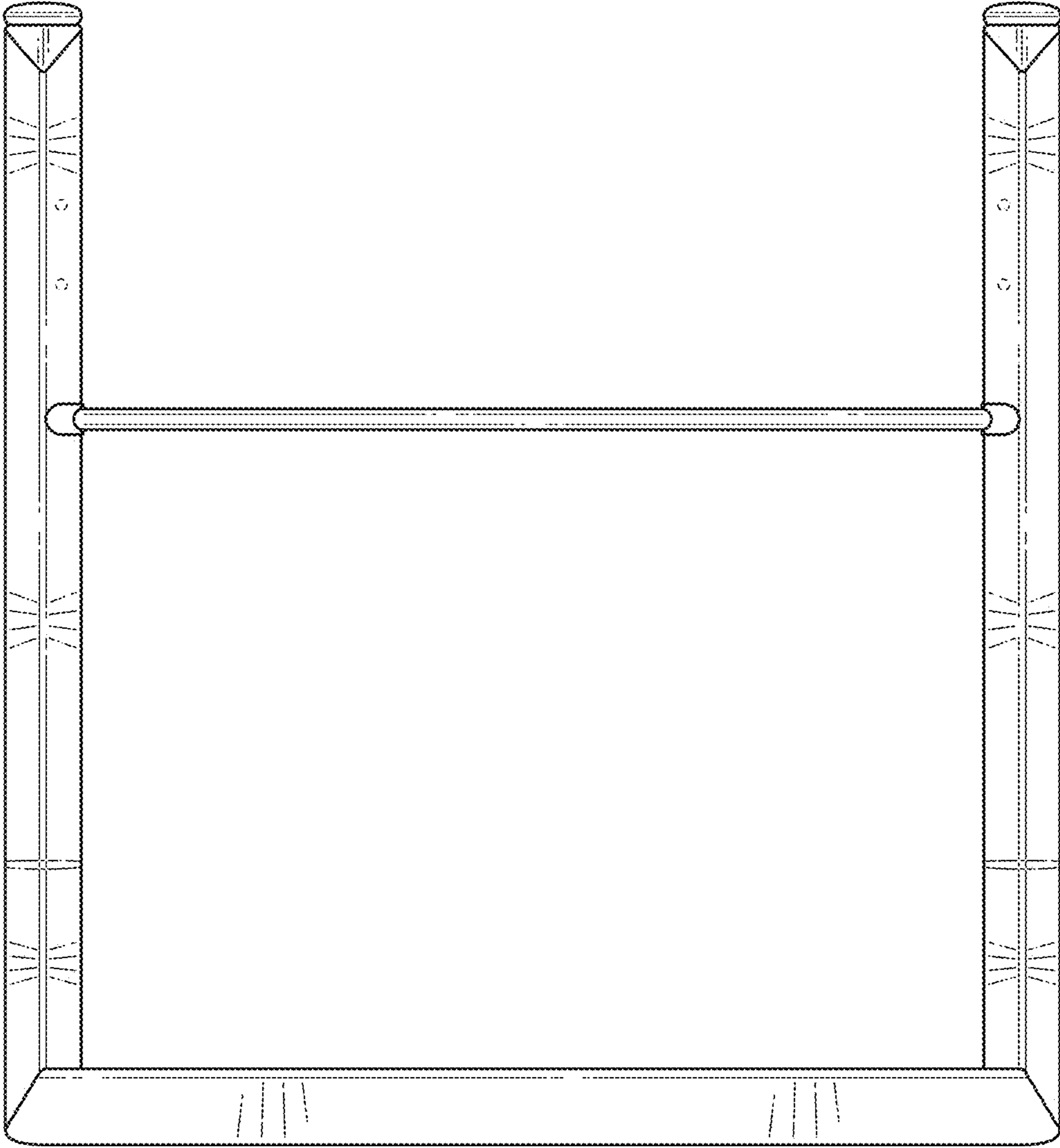


FIG. 3

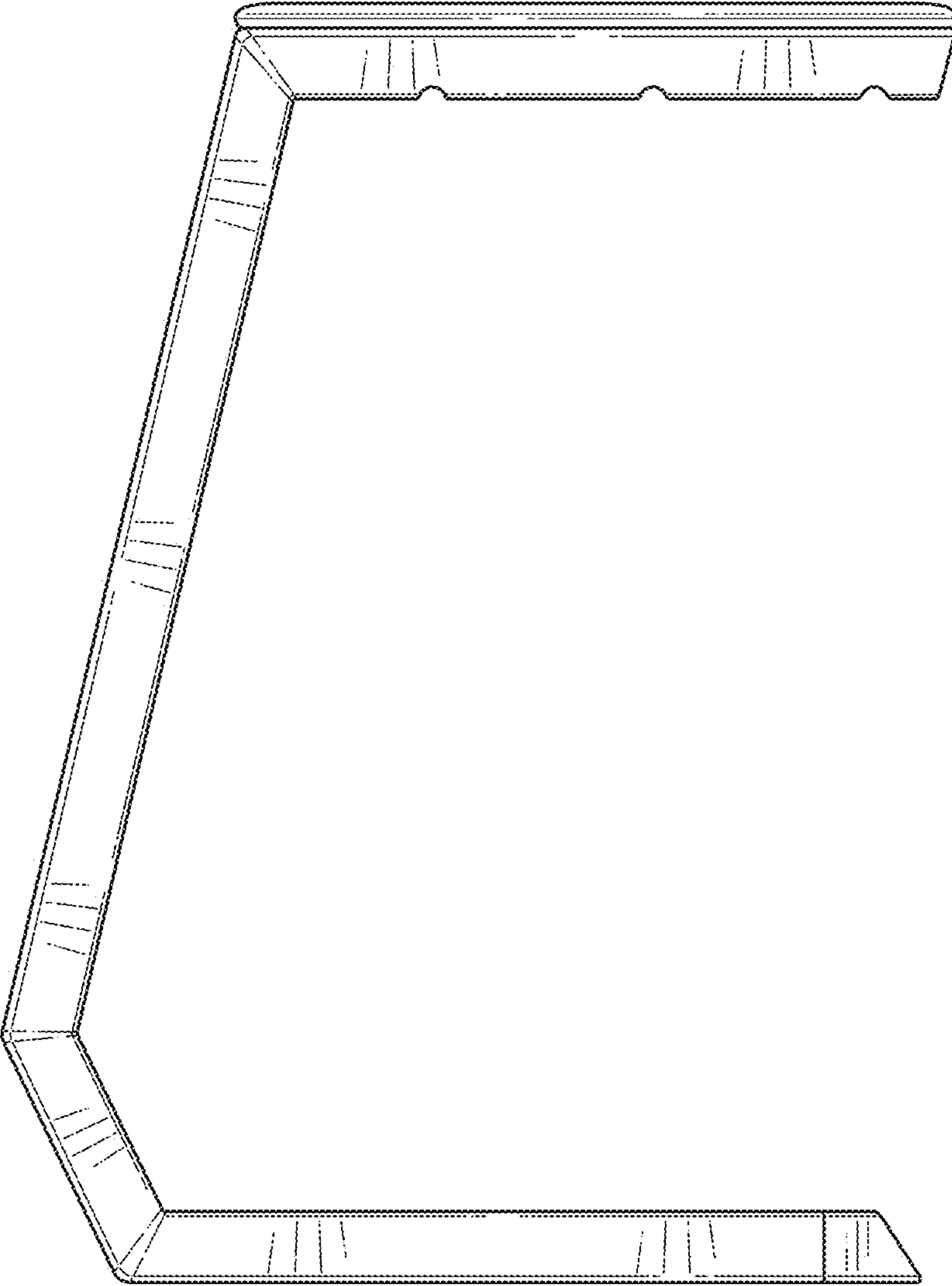


FIG. 4

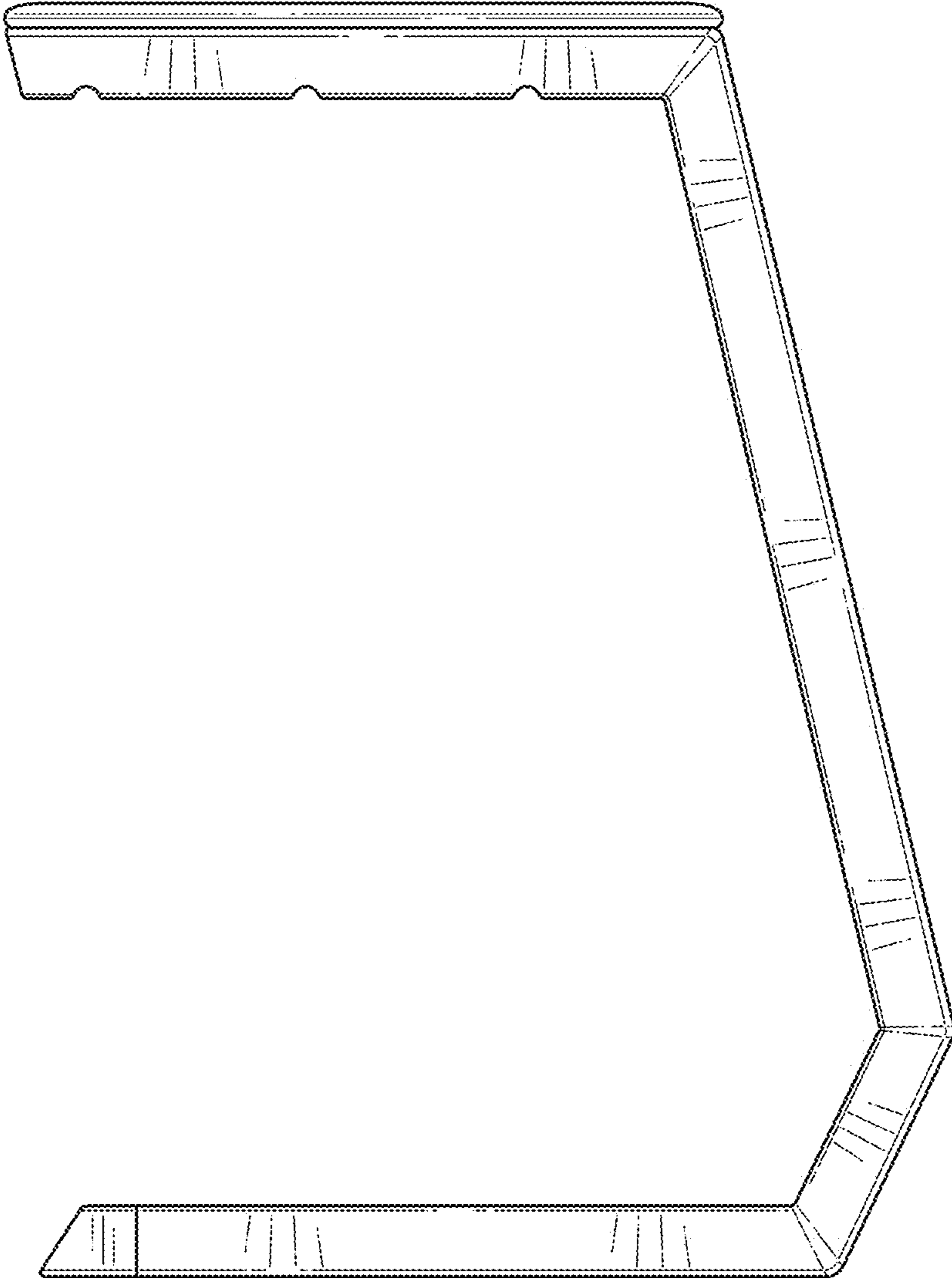


FIG. 5

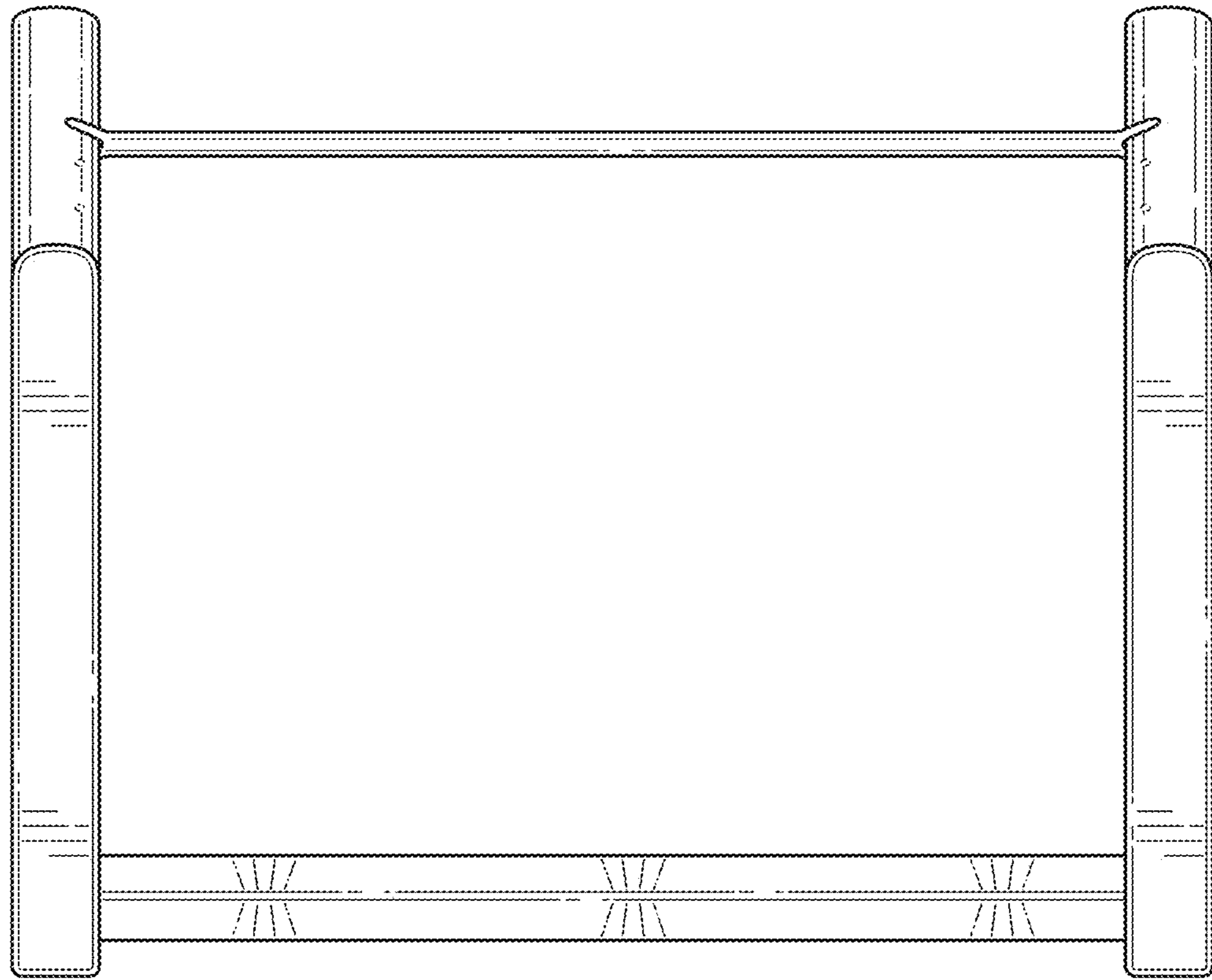


FIG. 6

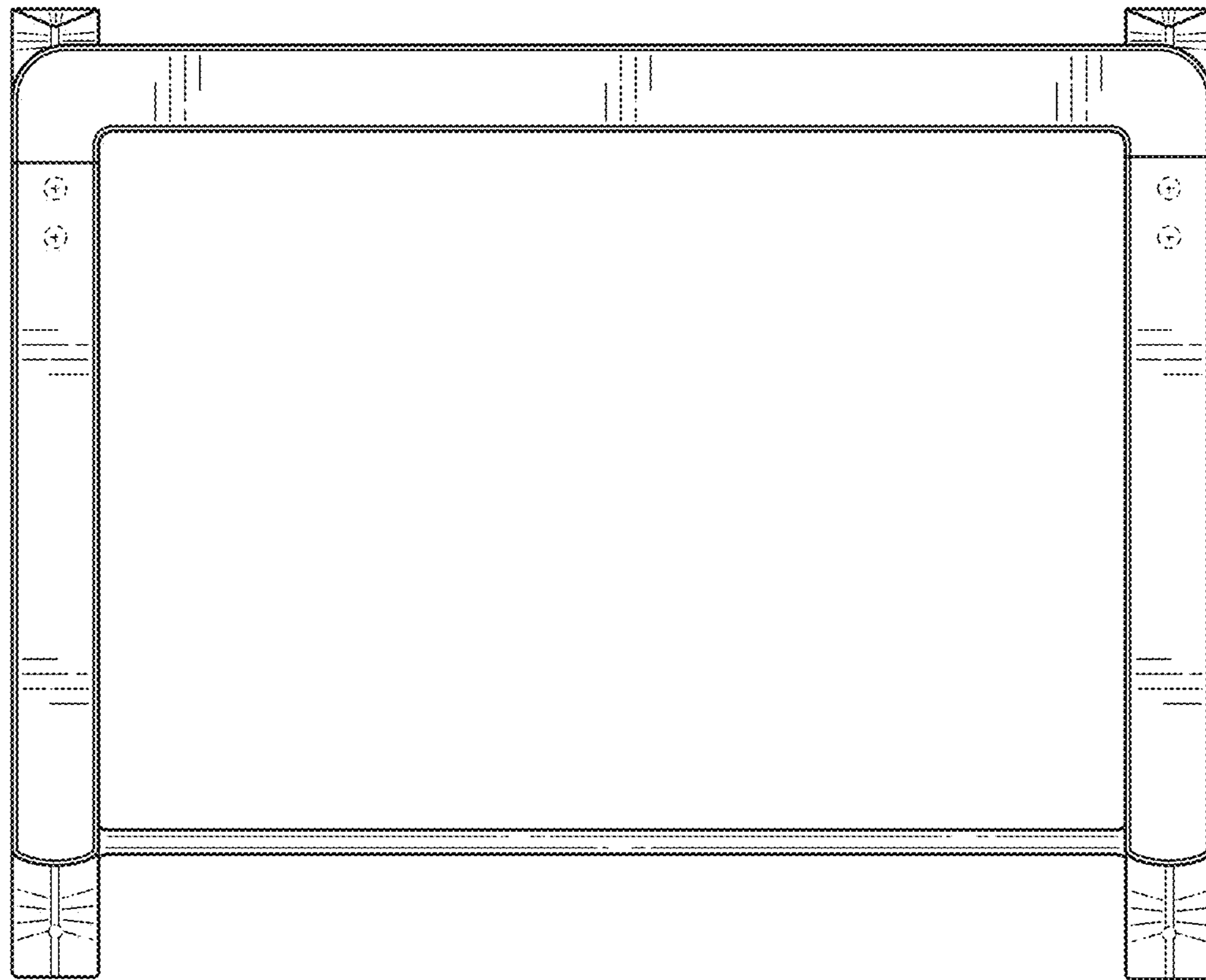


FIG. 7



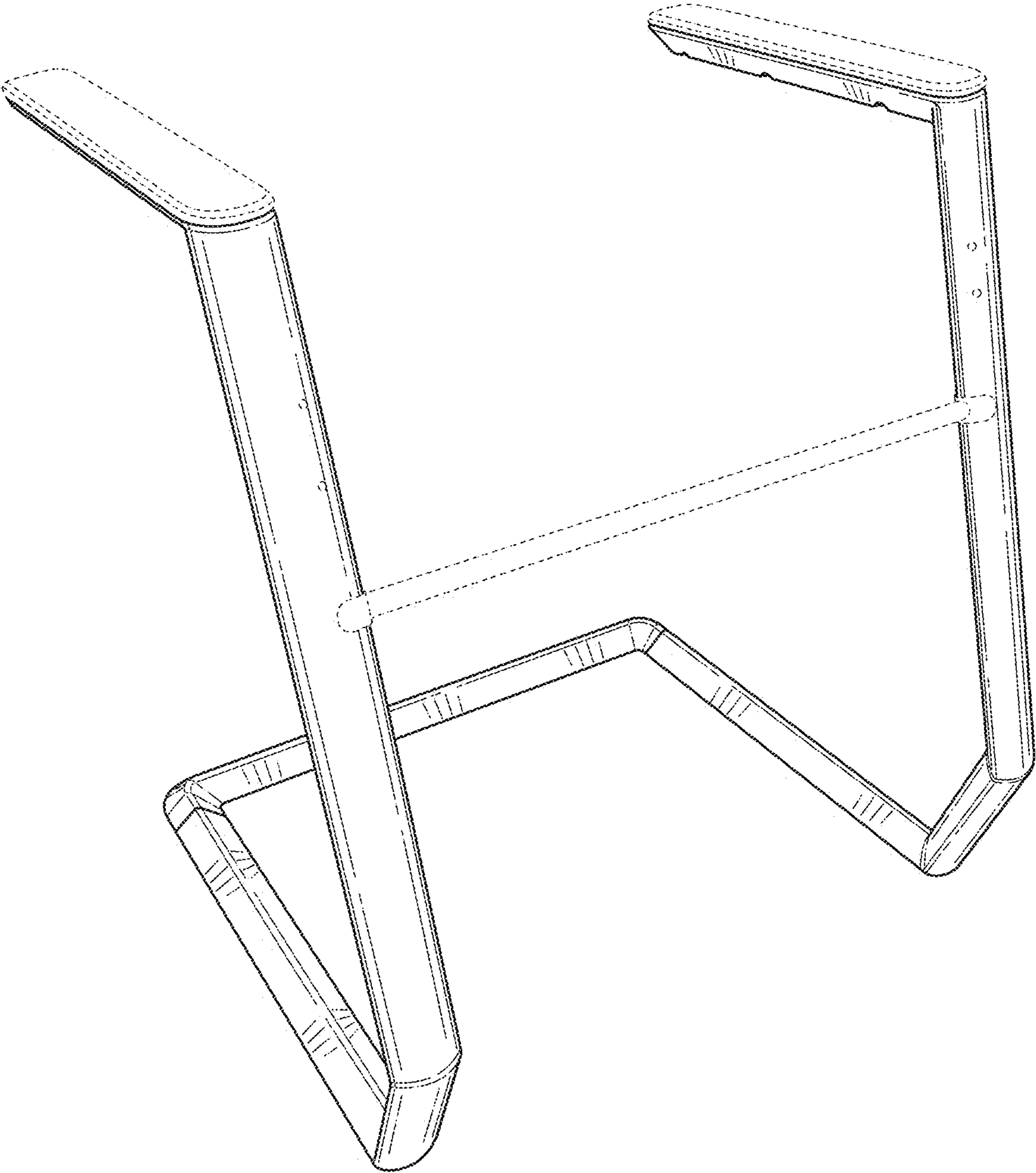


FIG. 8

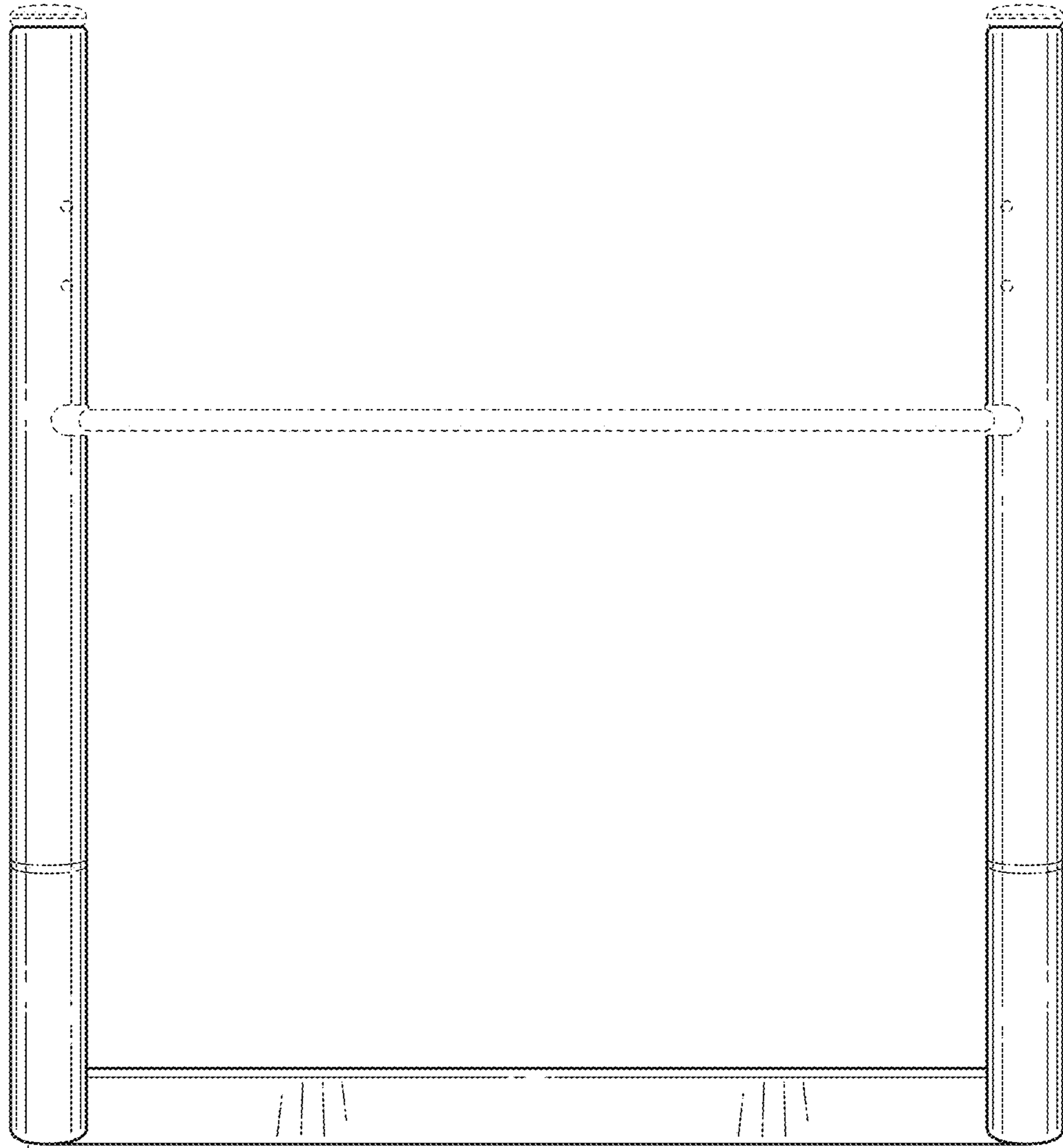


FIG. 9

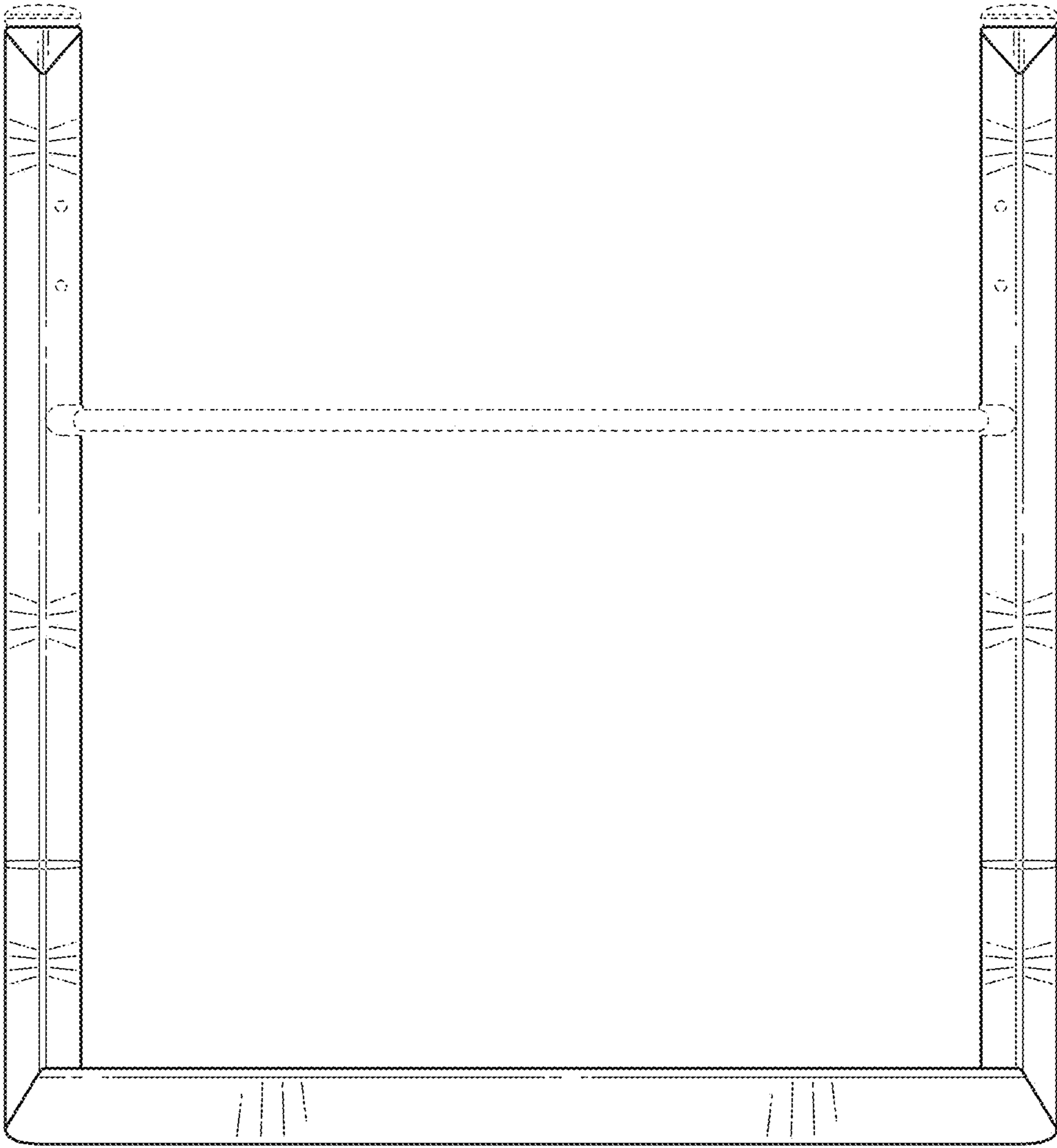


FIG. 10

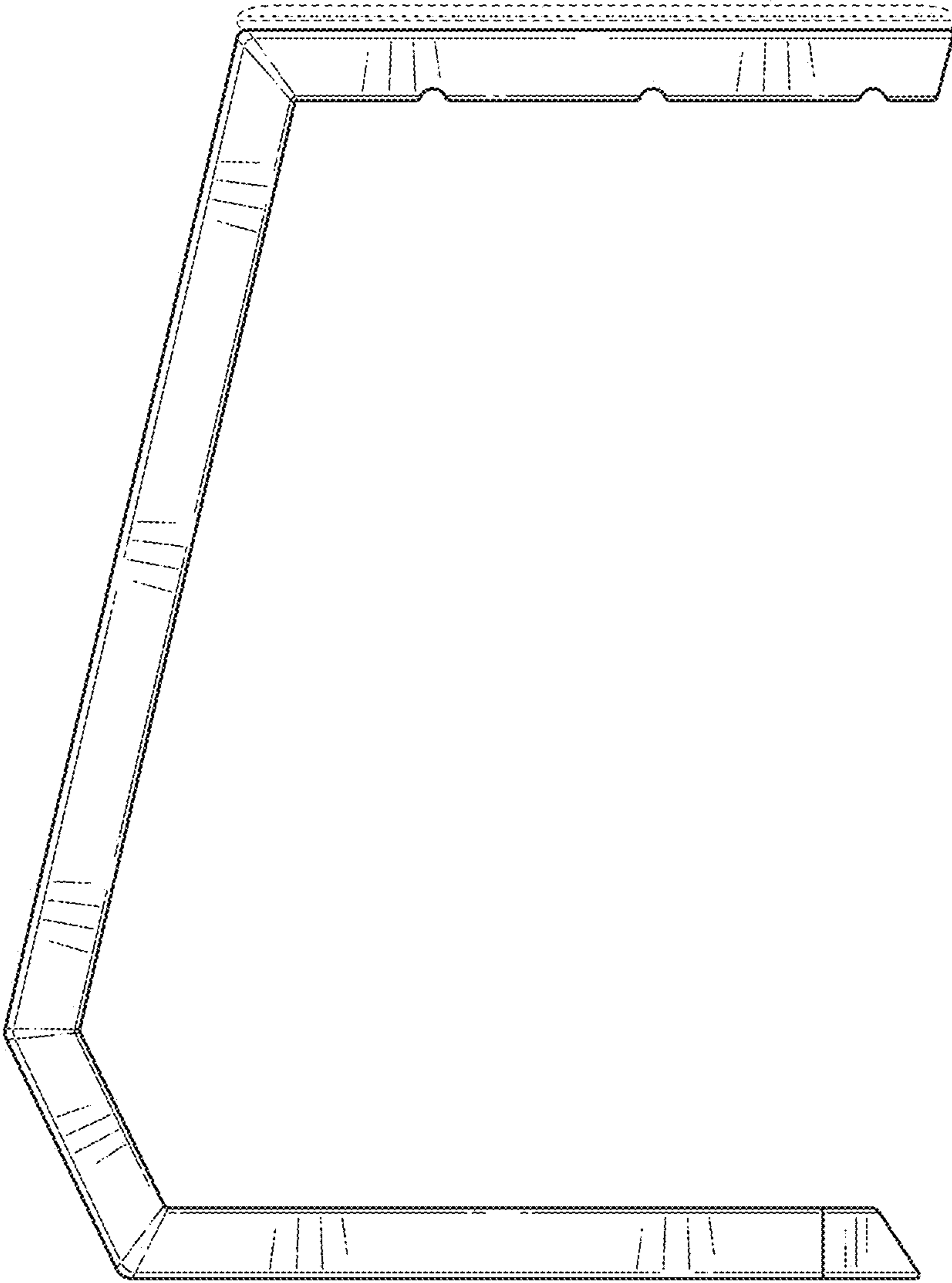


FIG. 11

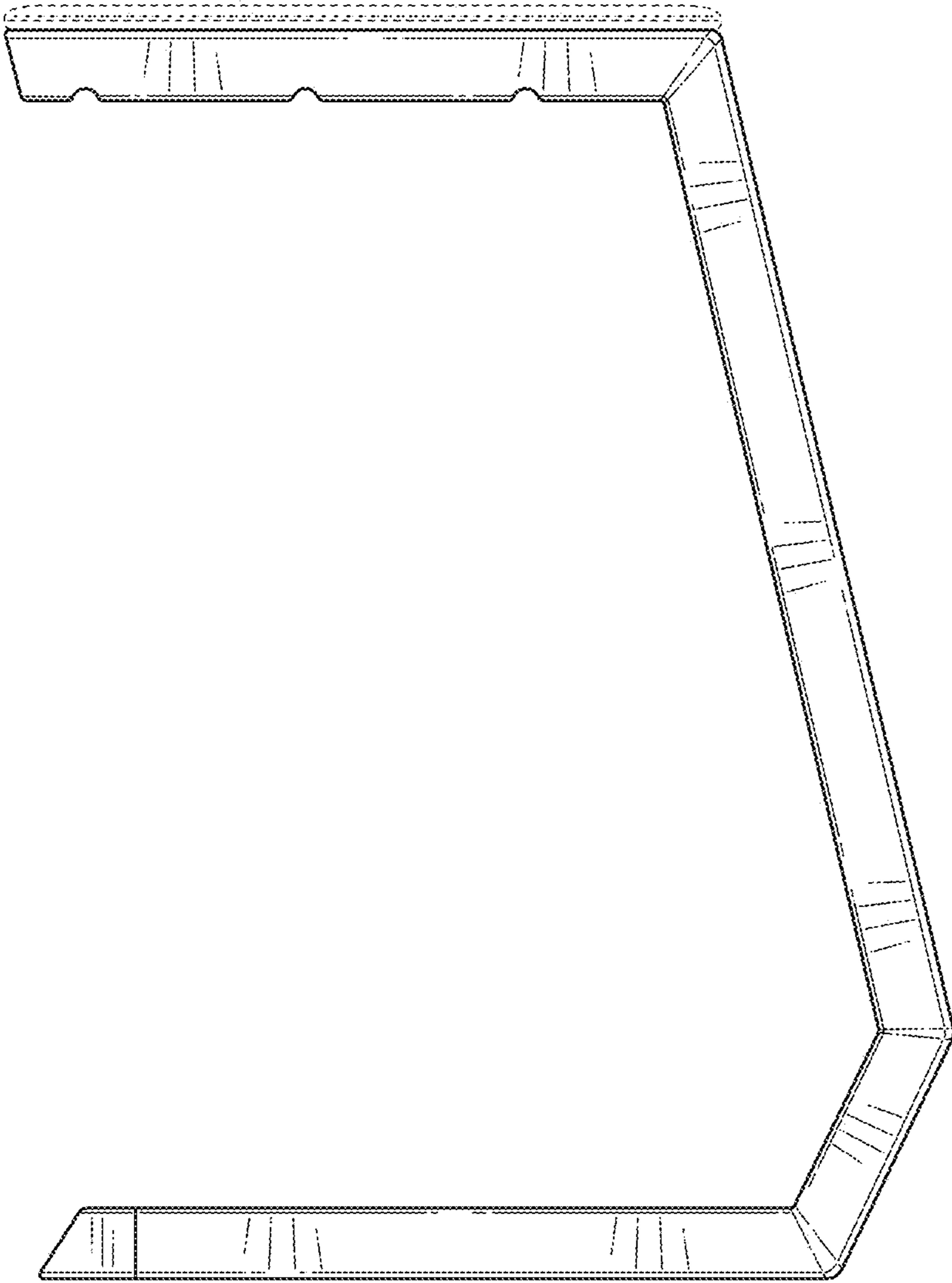


FIG. 12

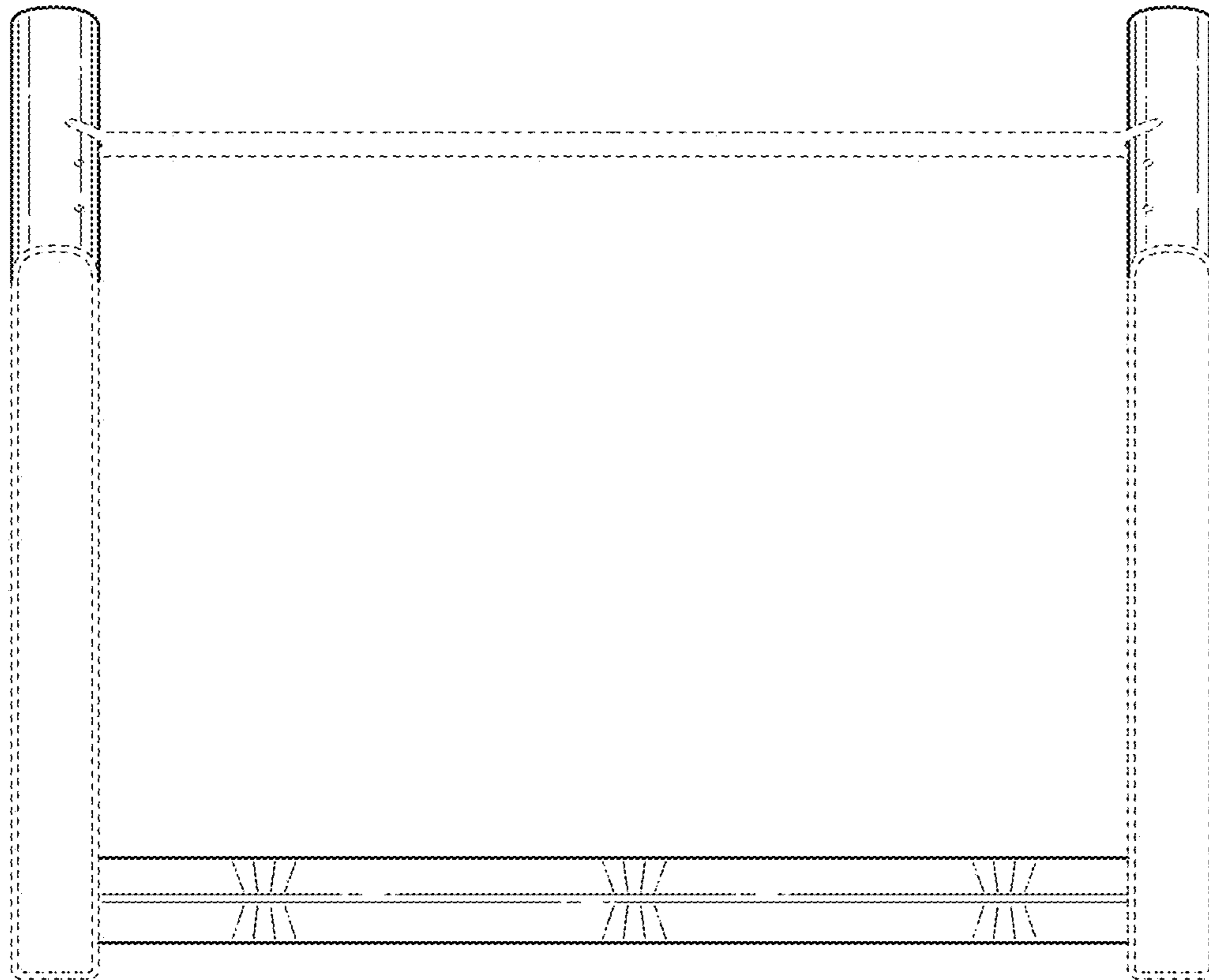


FIG. 13

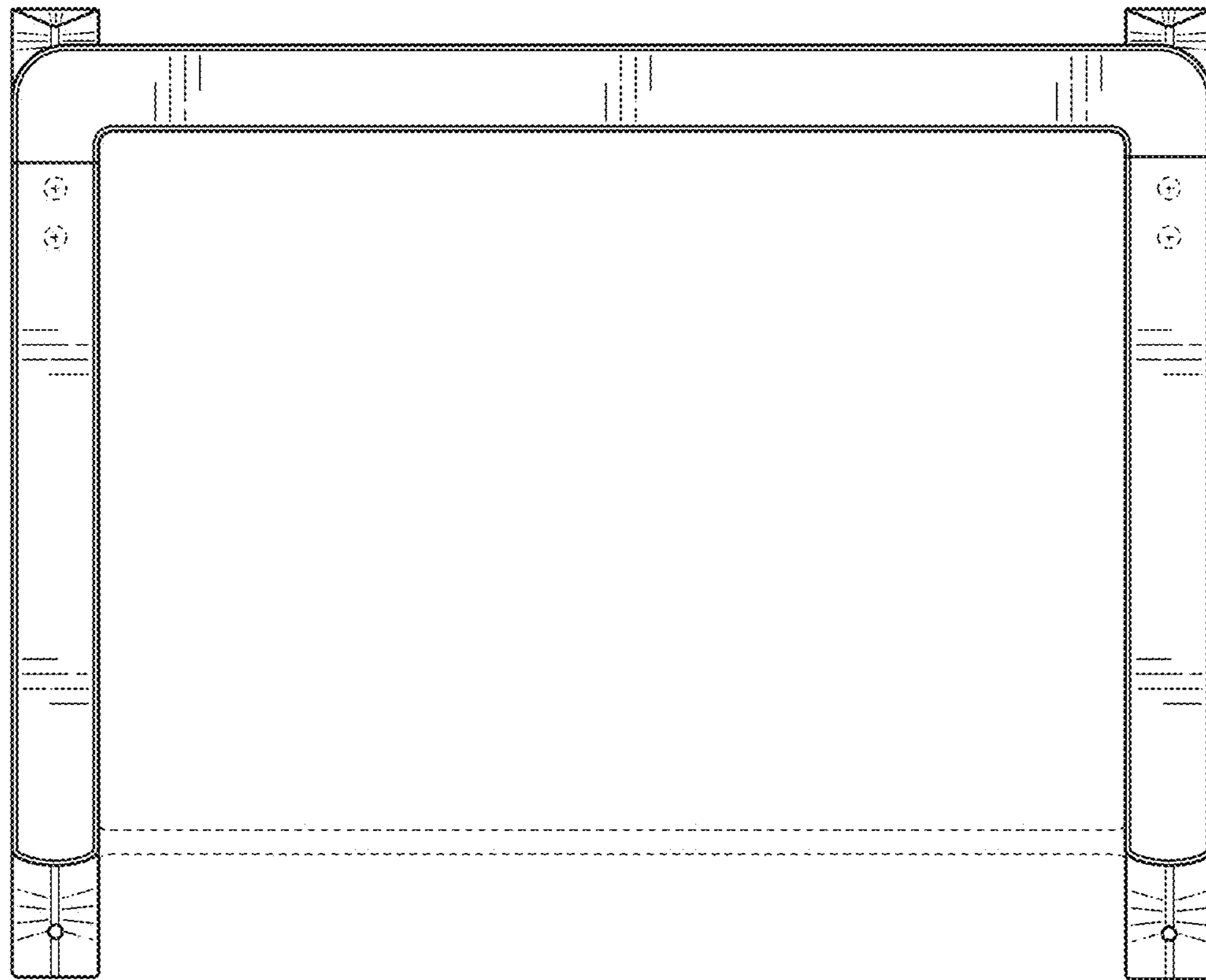


FIG. 14