



US00D984327S

(12) **United States Design Patent**
Brenner et al.

(10) **Patent No.:** **US D984,327 S**
(45) **Date of Patent:** **** Apr. 25, 2023**

(54) **WHEELCHAIR**

(71) Applicant: **Invacare International GmbH**,
Witterswil (CH)

(72) Inventors: **Simon Brenner**, Basel (CH); **Martin Hunig**, Reinach (CH); **Michael Zeltner**, Arlesheim (CH)

(**) Term: **15 Years**

(21) Appl. No.: **29/787,468**

(22) Filed: **Jun. 7, 2021**

Related U.S. Application Data

(63) Continuation of application No. 35/506,979, filed on Mar. 7, 2019 (U.S. filing date under 35 U.S.C. 384), and having an international filing date of Mar. 7, 2019, now Pat. No. Des. 921,542.

(30) **Foreign Application Priority Data**

Sep. 14, 2018 (WO) WIPO75462

(51) **LOC (14) Cl.** **12-12**

(52) **U.S. Cl.**
USPC **D12/131**

(58) **Field of Classification Search**
USPC D12/128–133
CPC A61G 5/00–14; A61G 5/041–047; A61G 2005/048
See application file for complete search history.

(56) **References Cited**

U.S. PATENT DOCUMENTS

D413,554 S * 9/1999 Schlangen D12/131
D443,563 S * 6/2001 Johnson D12/131
D462,639 S * 9/2002 Lin D12/131
D475,952 S * 6/2003 Nelson D12/131
D494,110 S * 8/2004 Cheng D12/131

D503,364 S * 3/2005 Miura D12/131
D530,650 S * 10/2006 Azuma D12/131
D556,647 S * 12/2007 Yamagishi D12/131
D561,651 S * 2/2008 Yamagishi D12/131
D585,794 S * 2/2009 Lin D12/131
D604,208 S * 11/2009 Perk D12/131
D621,307 S * 8/2010 Kagi D12/131
D627,270 S * 11/2010 Kretschmer D12/131
D647,426 S * 10/2011 Ward D12/131
D673,083 S * 12/2012 Daff D12/133
D745,441 S * 12/2015 Ohruh D12/131
D770,331 S * 11/2016 Gabriely D12/131
D786,740 S * 5/2017 Abe D12/128
D788,652 S * 6/2017 Mutsuro D12/131

(Continued)

Primary Examiner — Darlington Ly

(74) *Attorney, Agent, or Firm* — Calfee, Halter & Griswold LLP

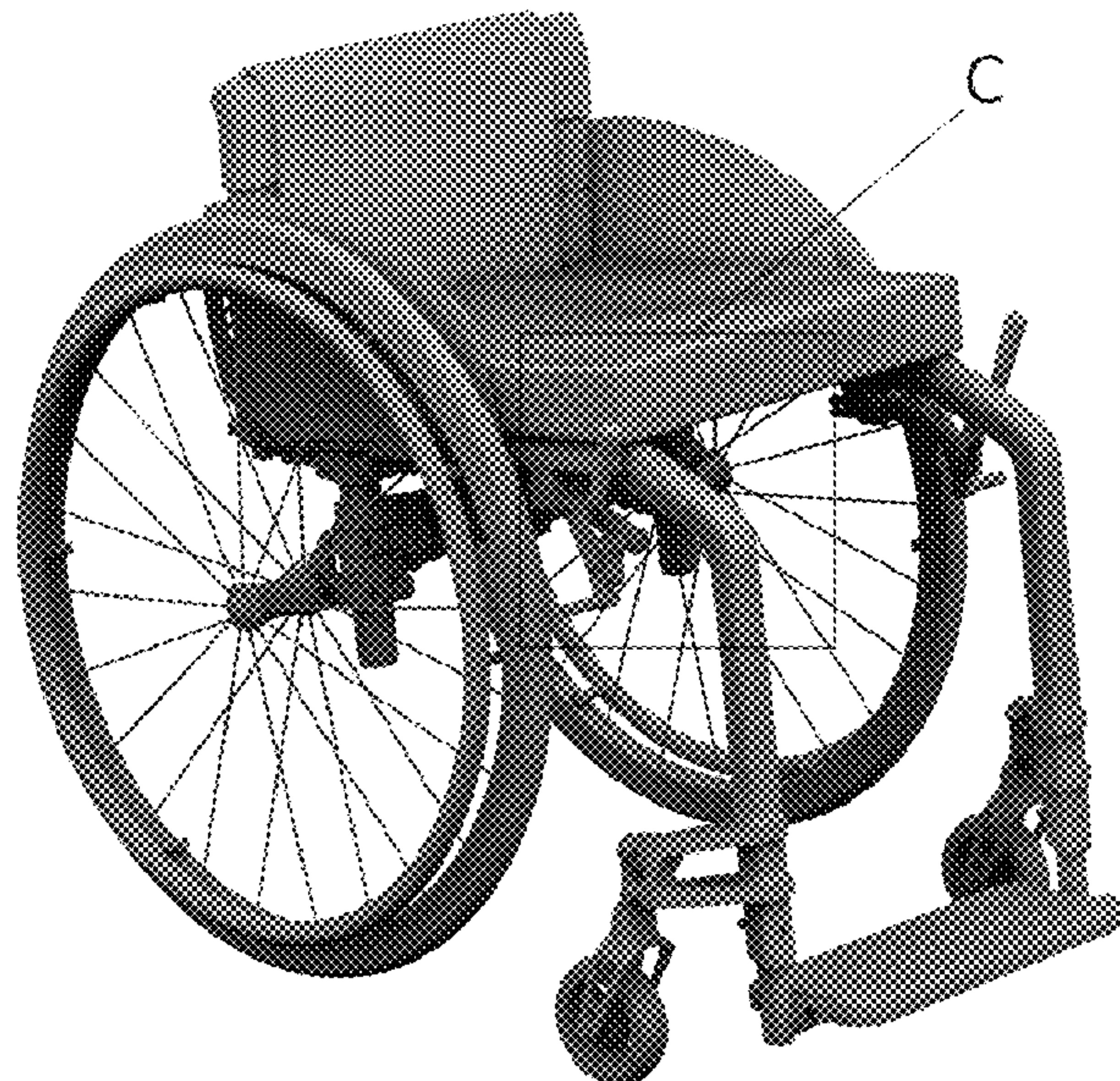
(57) **CLAIM**

The ornamental design for a wheelchair, as shown and described.

DESCRIPTION

FIG. 1 is a front elevation view of a wheelchair embodying our new design;
FIG. 2 is a rear elevation view thereof;
FIG. 3 is a right side elevation view thereof;
FIG. 4 is an enlarged and partial right side elevation view thereof for portion in BOX A as shown in FIG. 3;
FIG. 5 is a left side elevation view thereof;
FIG. 6 is an enlarged and partial left side elevation view thereof for portion in BOX B as shown in FIG. 5;
FIG. 7 is a top plan view thereof;
FIG. 8 is a bottom plan view thereof;
FIG. 9 is a front and right side perspective view thereof;
FIG. 10 is a front and right side perspective view thereof for portion in BOX C as shown in FIG. 9; and,
FIG. 11 is a rear and right side perspective view thereof.

1 Claim, 11 Drawing Sheets



(56)

References Cited

U.S. PATENT DOCUMENTS

D793,289 S * 8/2017 Jahkel D12/128
9,770,376 B2 * 9/2017 Robins A61G 5/041

* cited by examiner



FIG. 1



FIG. 2

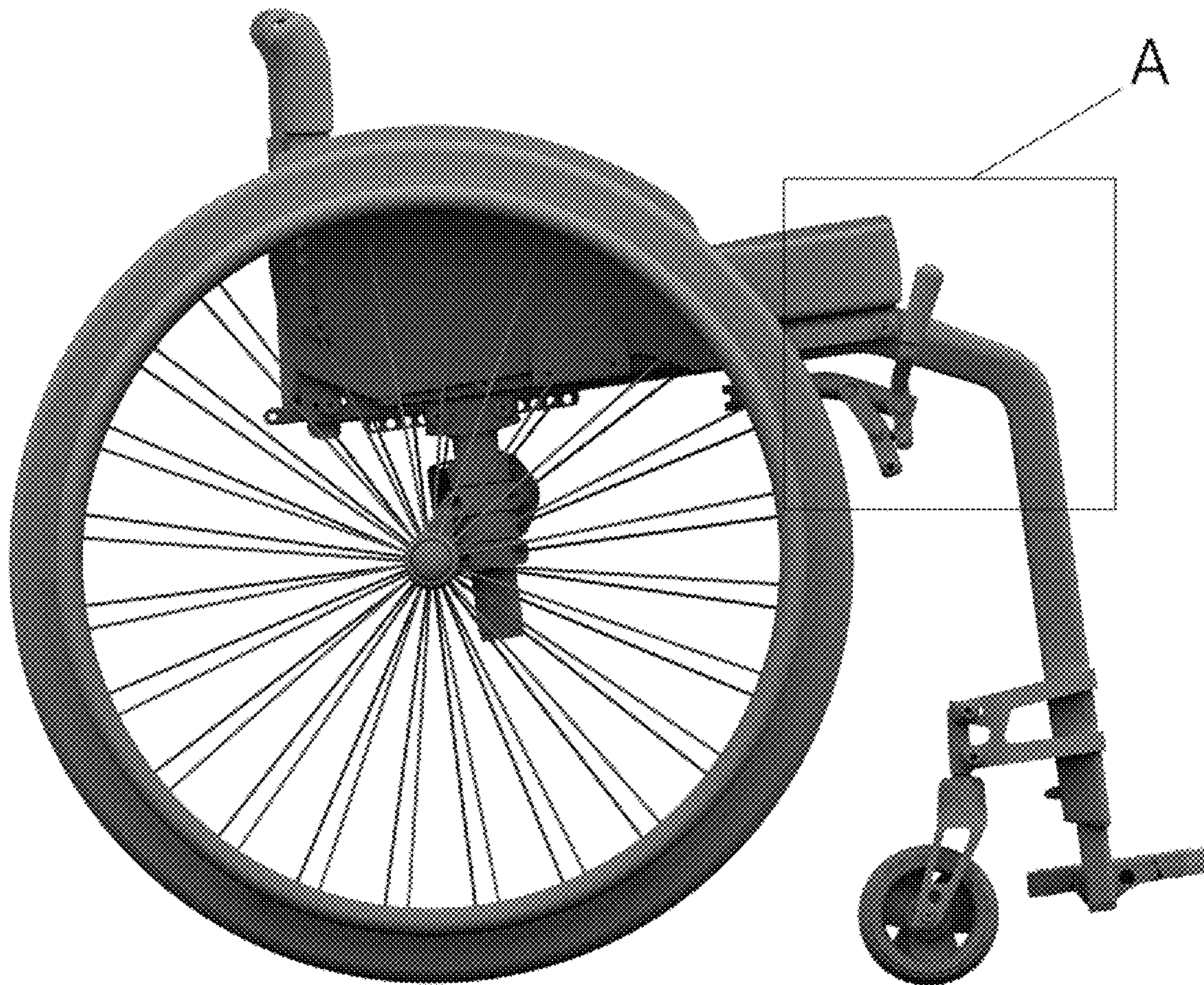


FIG. 3



FIG. 4

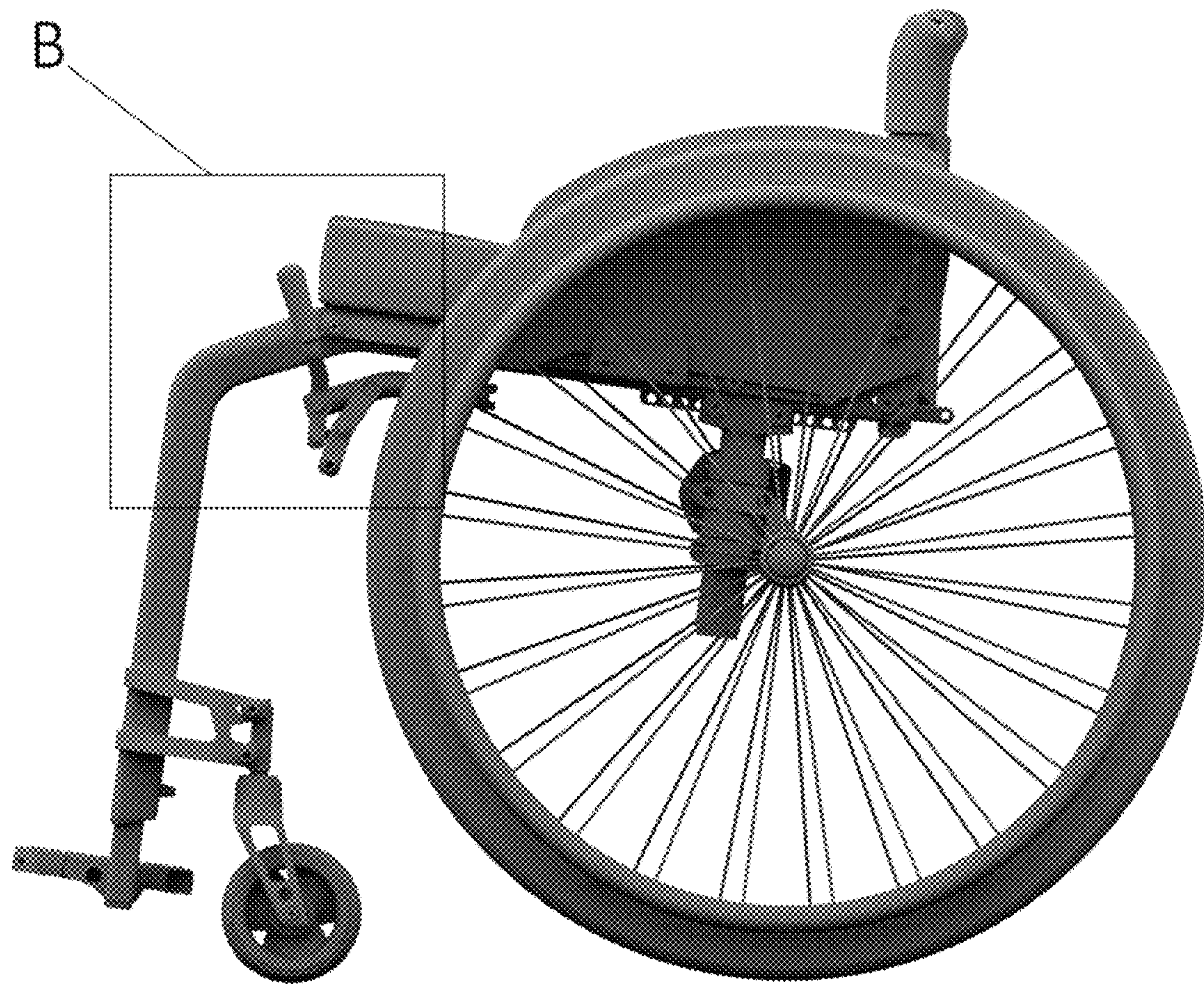


FIG. 5



FIG. 6

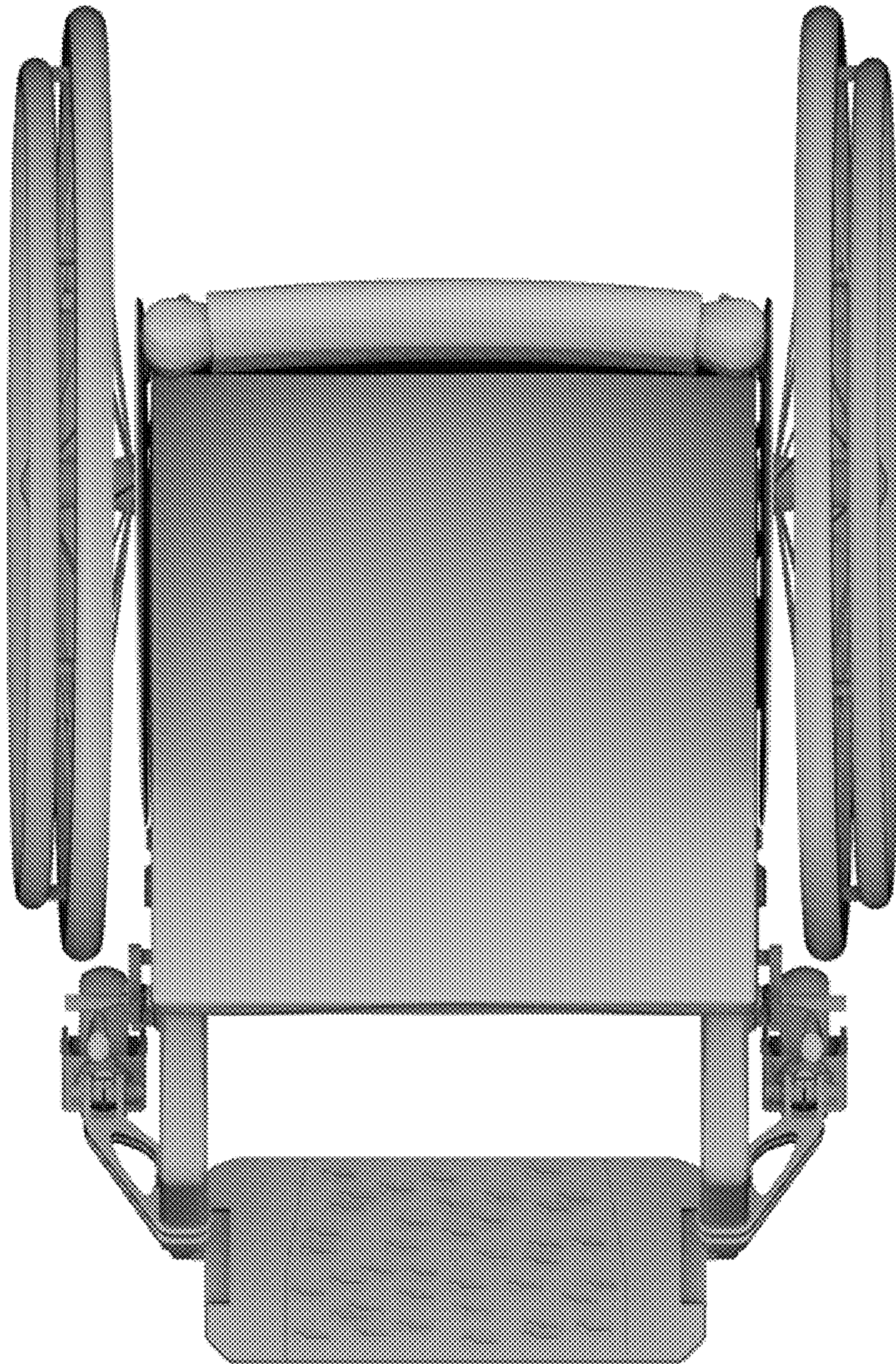


FIG. 7

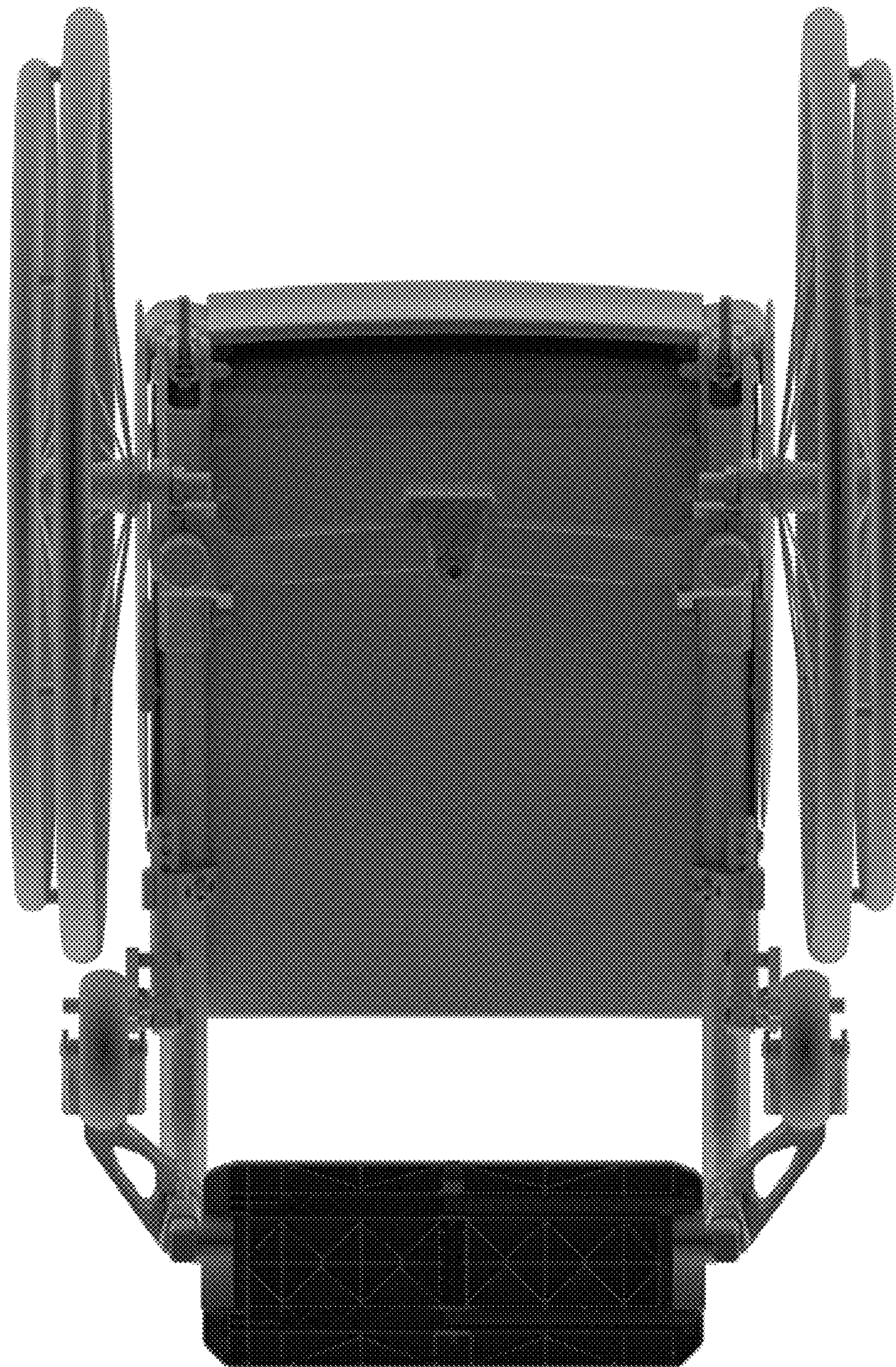


FIG. 8

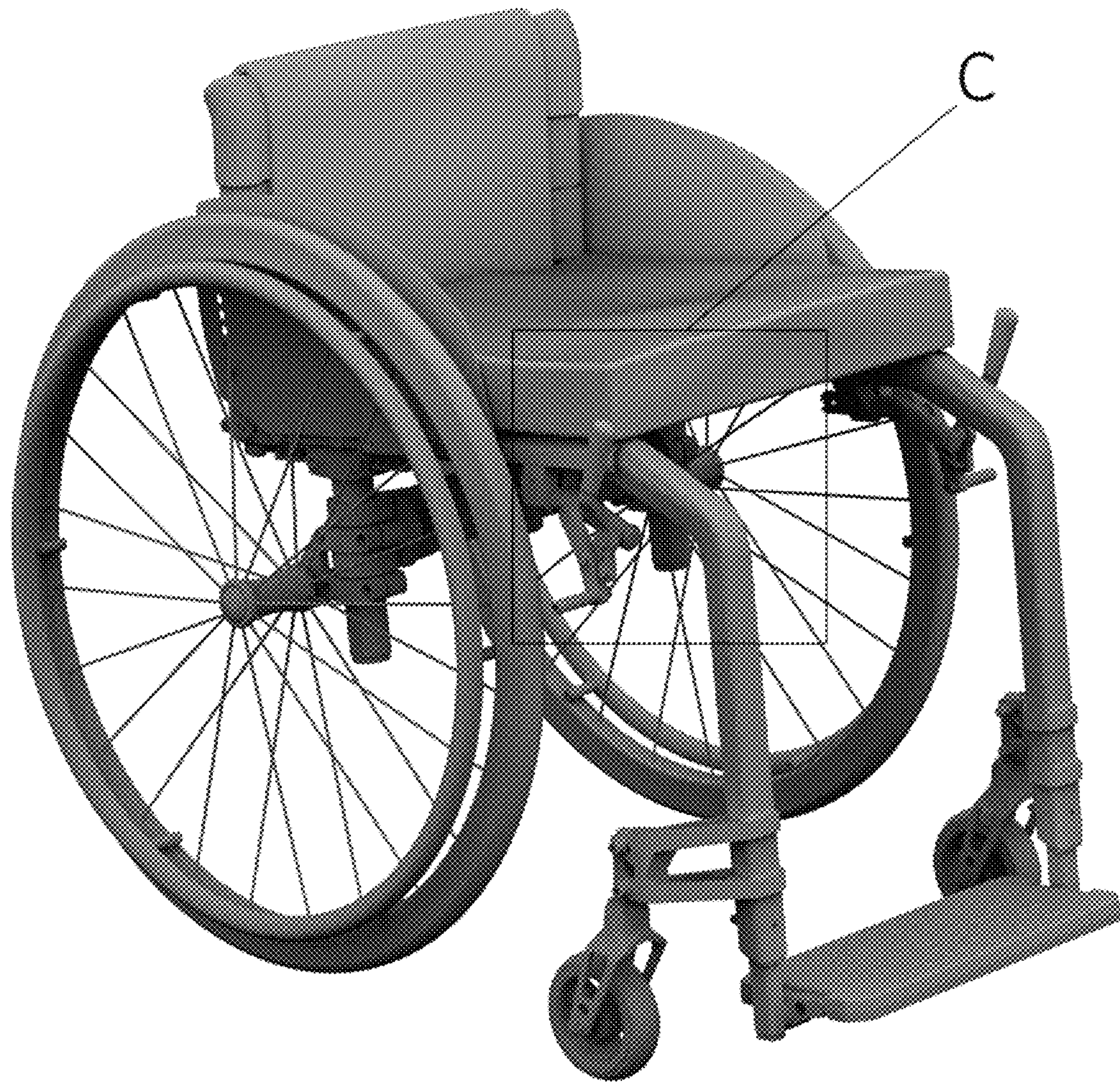


FIG. 9



FIG. 10



FIG. 11