



US00D984325S

(12) **United States Design Patent**  
**Zhao et al.**

(10) **Patent No.:** **US D984,325 S**  
(45) **Date of Patent:** **\*\* Apr. 25, 2023**

(54) **FOLDING TRICYCLE**

(71) Applicant: **Fujian Besrey Technology Co., Ltd.**,  
Fuzhou (CN)

(72) Inventors: **Long Zhao**, Fuzhou (CN); **Jinwen Chen**, Fuzhou (CN)

(\*\*) Term: **15 Years**

(21) Appl. No.: **29/881,224**

(22) Filed: **Dec. 29, 2022**

(51) **LOC (14) Cl.** ..... **12-08**

(52) **U.S. Cl.**  
USPC ..... **D12/112; D21/435**

(58) **Field of Classification Search**  
USPC ..... **D12/112, 113; D21/432, 435, 538**  
(Continued)

(56) **References Cited**

**U.S. PATENT DOCUMENTS**

D355,870 S \* 2/1995 Dieudonne ..... D12/112  
6,840,527 B1 \* 1/2005 Michelau ..... B62K 21/00  
280/270

(Continued)

**OTHER PUBLICATIONS**

“Newyoo 5 in 1 Toddler Tricycle with Parent Steering Push Handle for 1,2,3 Years Old Boys and Girls, . . .” Amazon., Jun. 23, 2021 [online], [retrieved on Feb. 6, 2023]. Retrieved from the Internet <URL: <https://www.amazon.com/newyoo-Tricycle-Steering-Removable-Adjustable/dp/B09CY4CDFT?th=1>>.\*

(Continued)

*Primary Examiner* — Darlington Ly

(74) *Attorney, Agent, or Firm* — Rumit Ranjit Kanakia

(57) **CLAIM**

The ornamental design for a folding tricycle, as shown and described.

**DESCRIPTION**

FIG. 1 is a top, front, and left side perspective view of a folding tricycle embodying our new design;

FIG. 2 is a top, rear, and right side perspective view thereof; FIG. 3 is a bottom, front, and right side perspective view thereof;

FIG. 4 is a left side elevation view thereof;

FIG. 5 is a right side elevation view thereof;

FIG. 6 is a front elevation view thereof;

FIG. 7 is a rear elevation view thereof;

FIG. 8 is a top plan view thereof;

FIG. 9 is a bottom plan view thereof;

FIG. 10 is a partial and enlarged perspective view thereof, in which the area of enlargement is portion 10 in FIG. 1;

FIG. 11 is a partial and enlarged perspective view thereof, in which the area of enlargement is portion 11 in FIG. 1;

FIG. 12 is a partial and enlarged perspective view thereof, in which the area of enlargement is portion 12 in FIG. 1;

FIG. 13 is a partial and enlarged perspective view thereof, in which the area of enlargement is portion 13 in FIG. 1;

FIG. 14 is a partial and enlarged perspective view thereof, in which the area of enlargement is portion 14 in FIG. 1;

FIG. 15 is a partial and enlarged perspective view thereof, in which the area of enlargement is portion 15 in FIG. 1;

FIG. 16 is a partial and enlarged perspective view thereof, in which the area of enlargement is portion 16 in FIG. 1;

FIG. 17 is a partial and enlarged perspective view thereof, in which the area of enlargement is portion 17 in FIG. 1;

FIG. 18 is a partial and enlarged perspective view thereof, in which the area of enlargement is portion 18 in FIG. 1;

FIG. 19 is a partial and enlarged perspective view thereof, in which the area of enlargement is portion 19 in FIG. 1;

FIG. 20 is a partial and enlarged perspective view thereof, in which the area of enlargement is portion 20 in FIG. 1;

FIG. 21 is a partial and enlarged perspective view thereof, in which the area of enlargement is portion 21 in FIG. 1;

FIG. 22 is a partial and enlarged perspective view thereof, in which the area of enlargement is portion 22 in FIG. 2;

FIG. 23 is a partial and enlarged perspective view thereof, in which the area of enlargement is portion 23 in FIG. 2;

FIG. 24 is a partial and enlarged perspective view thereof, in which the area of enlargement is portion 24 in FIG. 2;

FIG. 25 is a partial and enlarged perspective view thereof, in which the area of enlargement is portion 25 in FIG. 2;

FIG. 26 is a partial and enlarged perspective view thereof, in which the area of enlargement is portion 26 in FIG. 2;

(Continued)

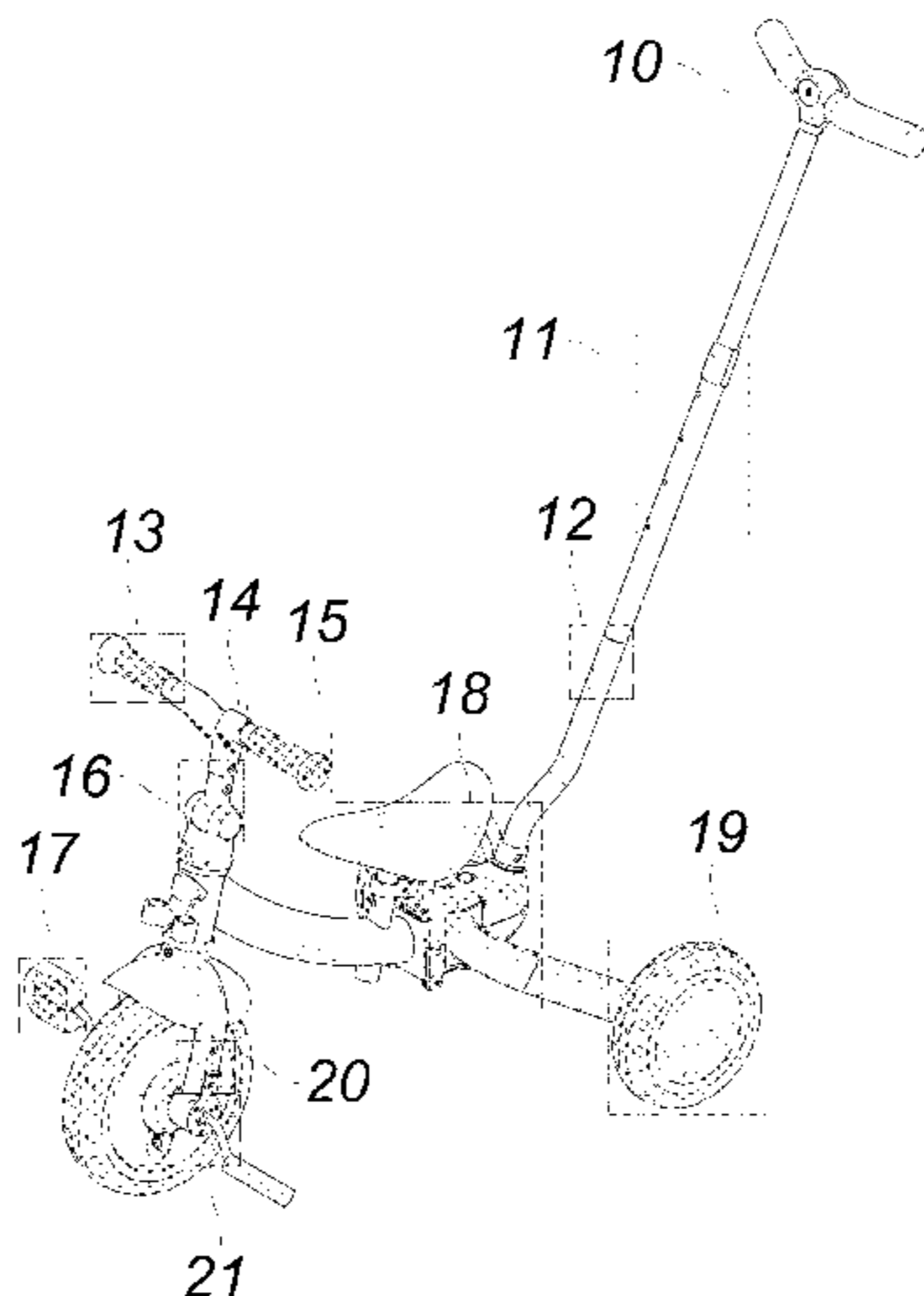


FIG. 27 is a partial and enlarged perspective view thereof, in which the area of enlargement is portion 27 in FIG. 2;  
 FIG. 28 is a partial and enlarged perspective view thereof, in which the area of enlargement is portion 28 in FIG. 2;  
 FIG. 29 is a partial and enlarged perspective view thereof, in which the area of enlargement is portion 29 in FIG. 2;  
 FIG. 30 is a partial and enlarged perspective view thereof, in which the area of enlargement is portion 30 in FIG. 2;  
 FIG. 31 is a partial and enlarged perspective view thereof, in which the area of enlargement is portion 31 in FIG. 2;  
 FIG. 32 is a partial and enlarged perspective view thereof, in which the area of enlargement is portion 32 in FIG. 2;  
 FIG. 33 is a partial and enlarged perspective view thereof, in which the area of enlargement is portion 33 in FIG. 2;  
 FIG. 34 is a partial and enlarged perspective view thereof, in which the area of enlargement is portion 34 in FIG. 2;  
 FIG. 35 is a partial and enlarged perspective view thereof, in which the area of enlargement is portion 35 in FIG. 3;  
 FIG. 36 is a partial and enlarged perspective view thereof, in which the area of enlargement is portion 36 in FIG. 3;  
 FIG. 37 is a partial and enlarged perspective view thereof, in which the area of enlargement is portion 37 in FIG. 3;  
 FIG. 38 is a partial and enlarged perspective view thereof, in which the area of enlargement is portion 38 in FIG. 3;  
 FIG. 39 is a partial and enlarged perspective view thereof, in which the area of enlargement is portion 39 in FIG. 3;  
 FIG. 40 is a partial and enlarged perspective view thereof, in which the area of enlargement is portion 40 in FIG. 3;  
 FIG. 41 is a partial and enlarged perspective view thereof, in which the area of enlargement is portion 41 in FIG. 3;  
 FIG. 42 is a partial and enlarged perspective view thereof, in which the area of enlargement is portion 42 in FIGS. 3; and,  
 FIG. 43 is a partial and enlarged perspective view thereof, in which the area of enlargement is portion 43 in FIG. 3.

**1 Claim, 33 Drawing Sheets**

(58) **Field of Classification Search**  
 CPC ..... B62K 9/02; B62K 15/00; B62K 15/008;  
 B62K 21/00; B62J 17/08  
 See application file for complete search history.

(56) **References Cited**

U.S. PATENT DOCUMENTS

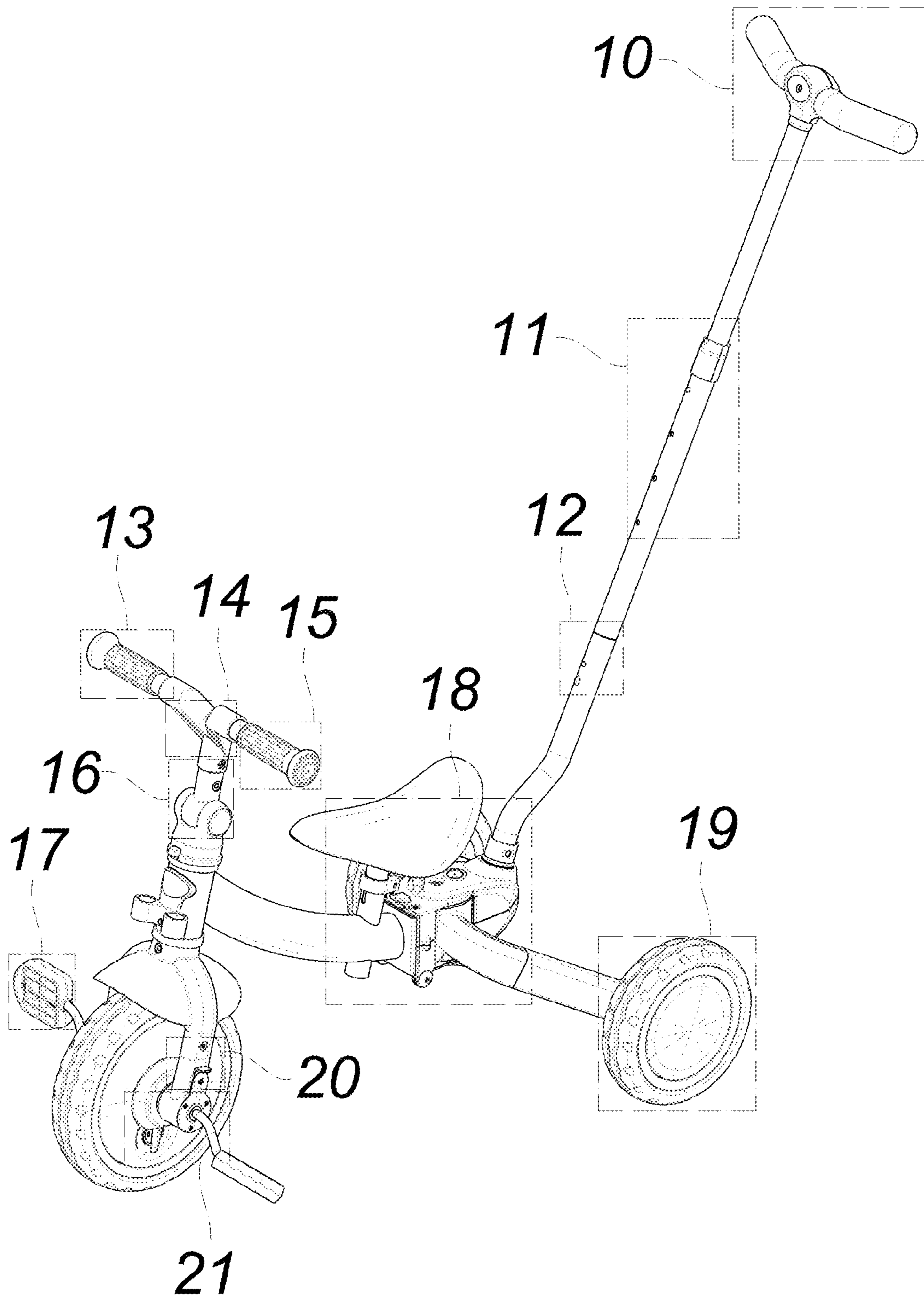
6,874,802	B2 *	4/2005	Gunter .....	B62K 9/02 280/288.4
6,935,649	B2 *	8/2005	Lim .....	B62H 7/00 280/282
D525,568	S *	7/2006	Baron .....	D12/112
D535,918	S	1/2007	On	
D540,717	S	4/2007	On	
D571,866	S *	6/2008	On .....	D21/435
D594,788	S *	6/2009	Hartlaub .....	D12/113
D604,777	S *	11/2009	On .....	D12/112

D627,265	S *	11/2010	On .....	D12/112
D659,056	S *	5/2012	Bricker .....	D12/112
D735,090	S *	7/2015	Baron .....	D12/113
D774,969	S	12/2016	Angelov	
D777,607	S *	1/2017	Fitzwater .....	D12/112
D787,378	S *	5/2017	Ostergaard .....	D12/112
10,300,977	B1 *	5/2019	Wang .....	B62J 50/40
D896,131	S *	9/2020	DeBry .....	D12/112
D920,170	S *	5/2021	Mazar .....	D12/112
2011/0074125	A1 *	3/2011	Aiken .....	B62H 7/00 280/47.38
2013/0056949	A1 *	3/2013	Bricker .....	B62M 1/38 301/6.5
2014/0103616	A1 *	4/2014	Young .....	B62K 15/008 280/278
2014/0217696	A1 *	8/2014	Bartels .....	B62K 9/02 280/274

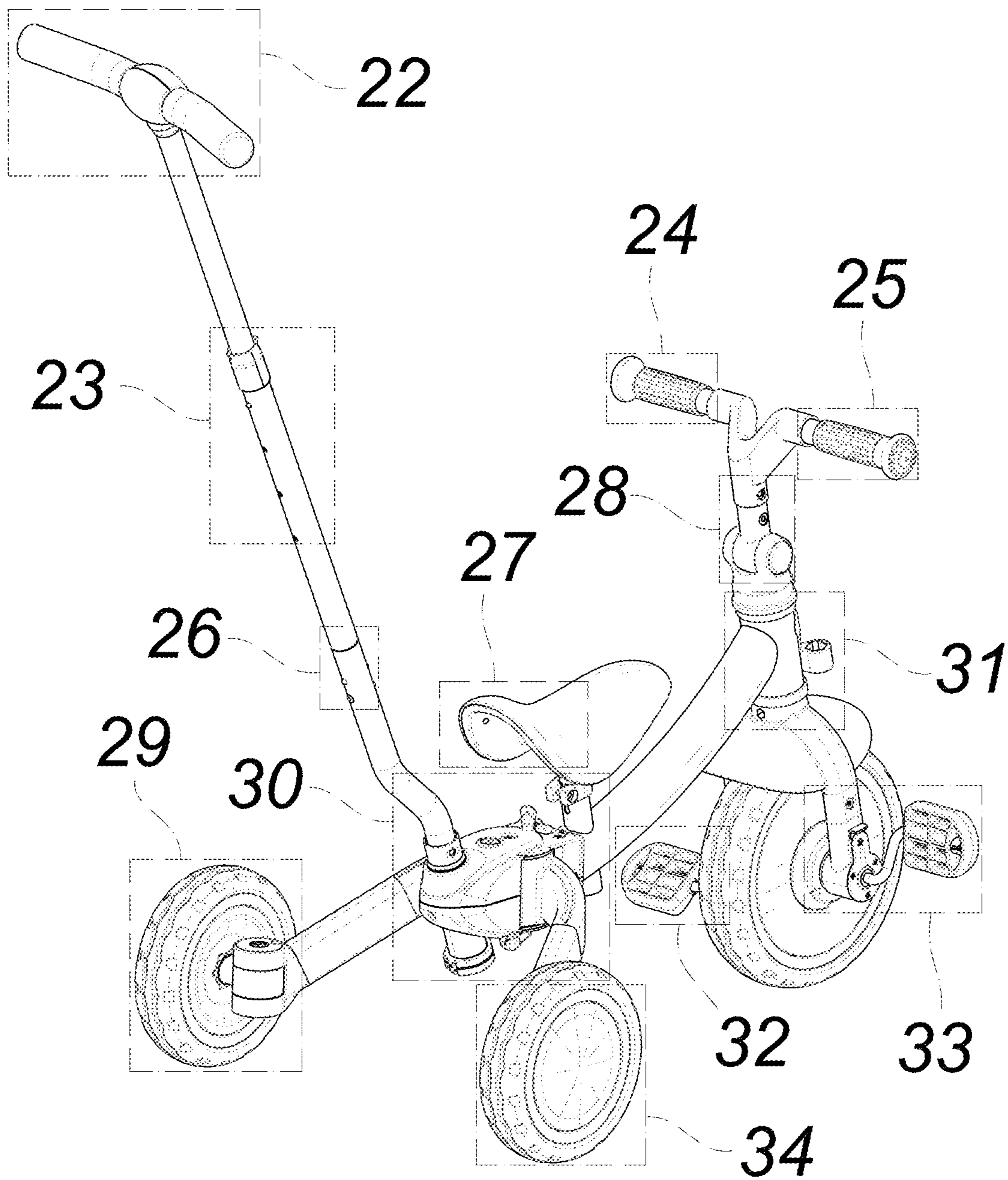
OTHER PUBLICATIONS

“Besrey 5 in 1 Toddler Bike . . .” Amazon., Apr. 21, 2022[online], [retrieved on Feb. 6, 2023]. Retrieved from the Internet <URL:  [“Besrey 7-in-1 Toddler Trike Tricycle for Infant and Kids.” Besrey., Jul. 31, 2022 \[online\], \[retrieved on Feb. 6, 2023\]. Retrieved from the Internet <URL:](https://www.amazon.com/dp/B09PTXV747/ref=sspa_dk_detail_1?pd_rd_i=B09PTXV747&pd_rd_w=hKz5p&content-id=amzn1.sym.bff6e147-54ad-4be3-b4ea-ec19ea6167f7&pf_rd_p=bff6e147-54ad-4be3-b4ea-ec19ea6167f7&pf_rd_r=0SB24Y73ANEEHZ9XTA8W&pd_rd_wg=RBESs&pd_rd_r=f7487d17-1934-41dd-821e-b27b7fd579d3&s=toys-and-games&sp_csd=d2lkZ2V0TmFtZT1zcF9kZXRhaWwy&spLa=ZW5jcnlwdGVkUXVhbGlmaWVyPUEzSTYxTkNHT0c3OFhEJmVuY3J5cHRIZEikPUEwMjUxMjI4MVVPMFFTUFGQjRHTiZlbnNyeXB0ZWRBZUIkPUEwODk1NTU3M0pCMDgxMVJMRTI3TCZ3aWRnZXROYW1IPXNwX2RldGFpbDlmYWNoaW9uPWNsaWNrUmVkaXJlY3QmZG9Ob3Rmb2dDbGljaz10cnVI&th=1>.*</a><br/>
    “Pleker 7-in-1 Toddler Tricycle with 5-Height Parent Steering Push Handle for 1-5 Years Old, Foldable Kids Trike, Toddler Bike with Wheel Clutch, Larger Wheels, Removable Pedals, Height Adjustable Seat.” Amazon., May 21, 2022[online], [retrieved on Feb. 6, 2023]. Retrieved from the Internet <URL: <a href=)

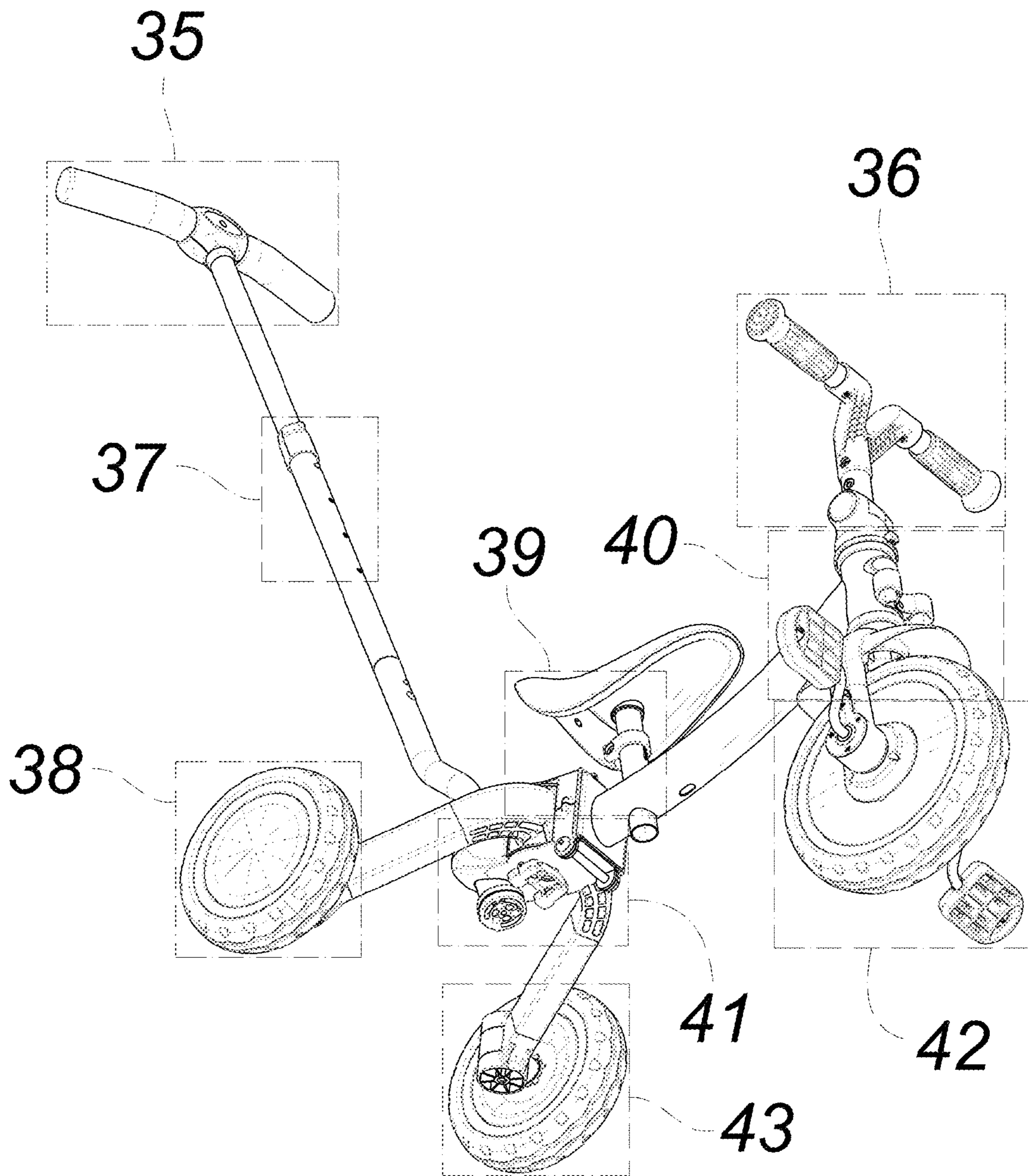
\* cited by examiner



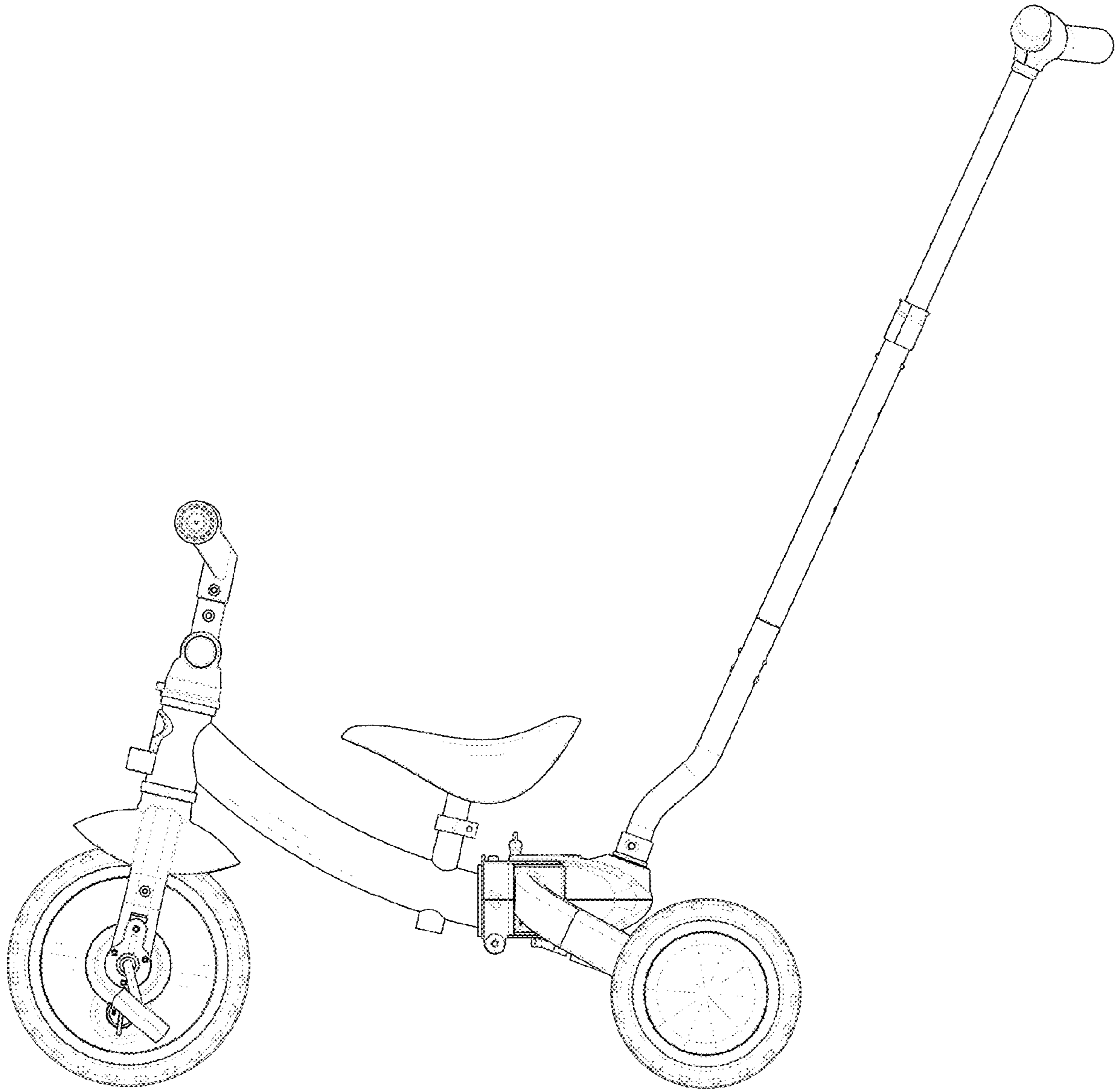
**FIG. 1**



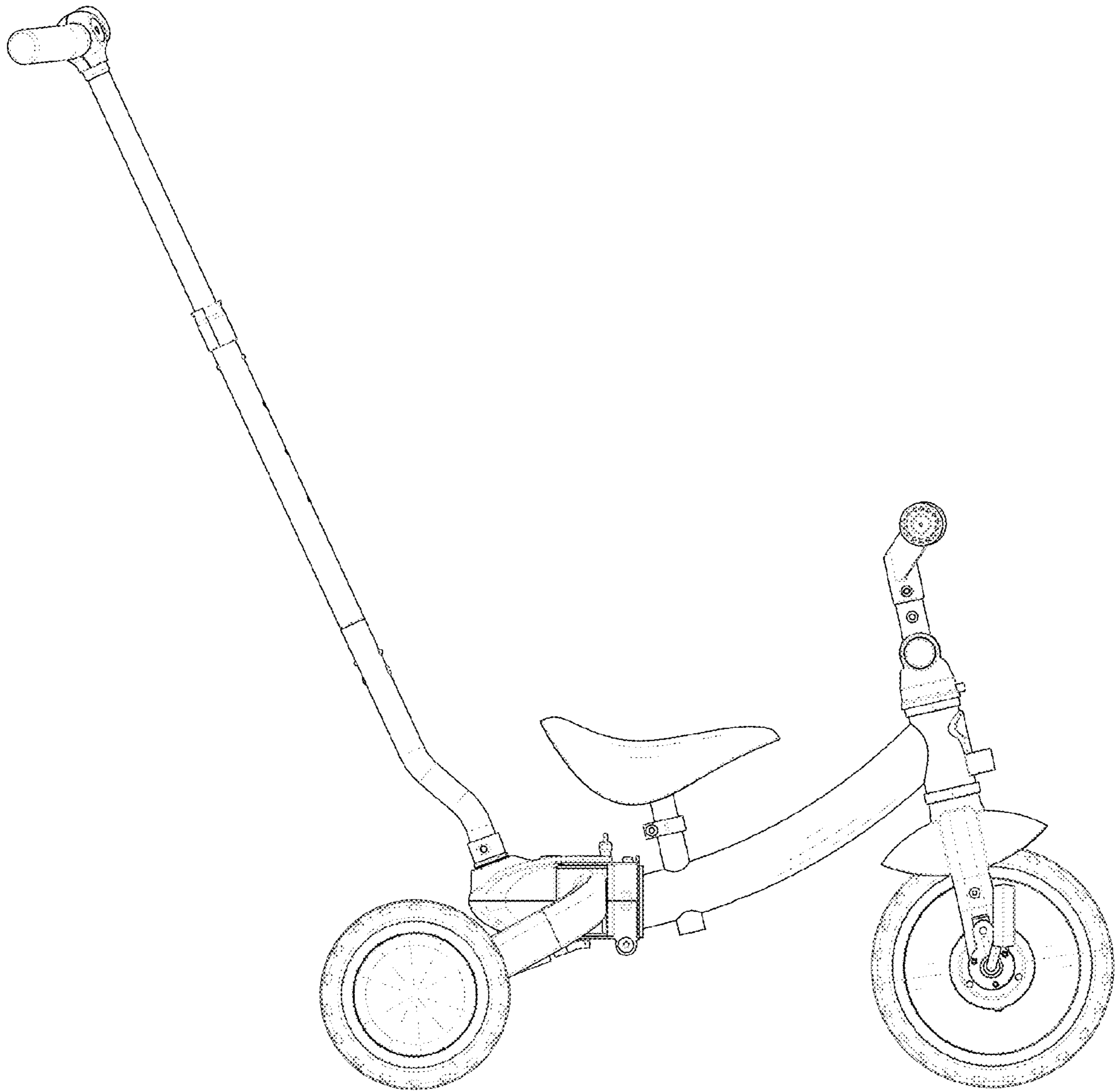
**FIG. 2**



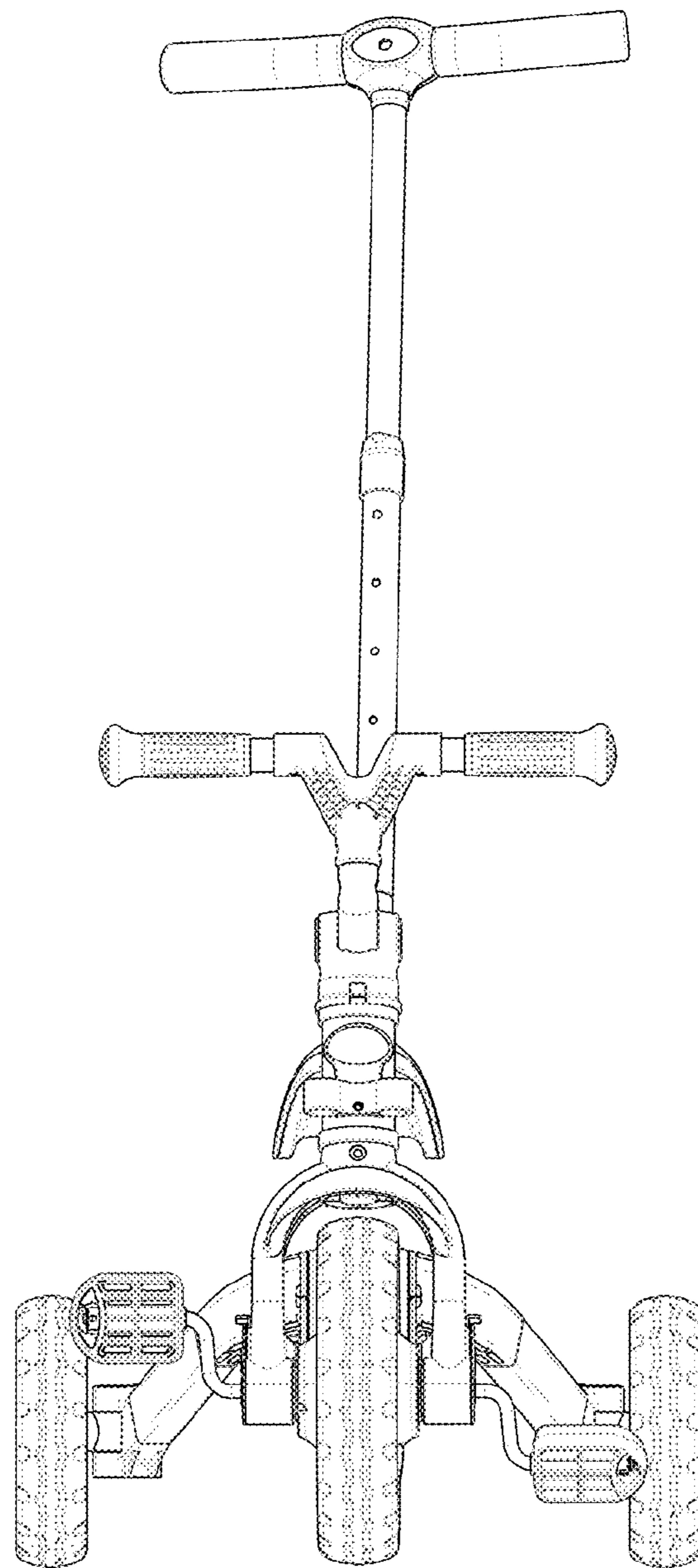
**FIG. 3**



**FIG. 4**

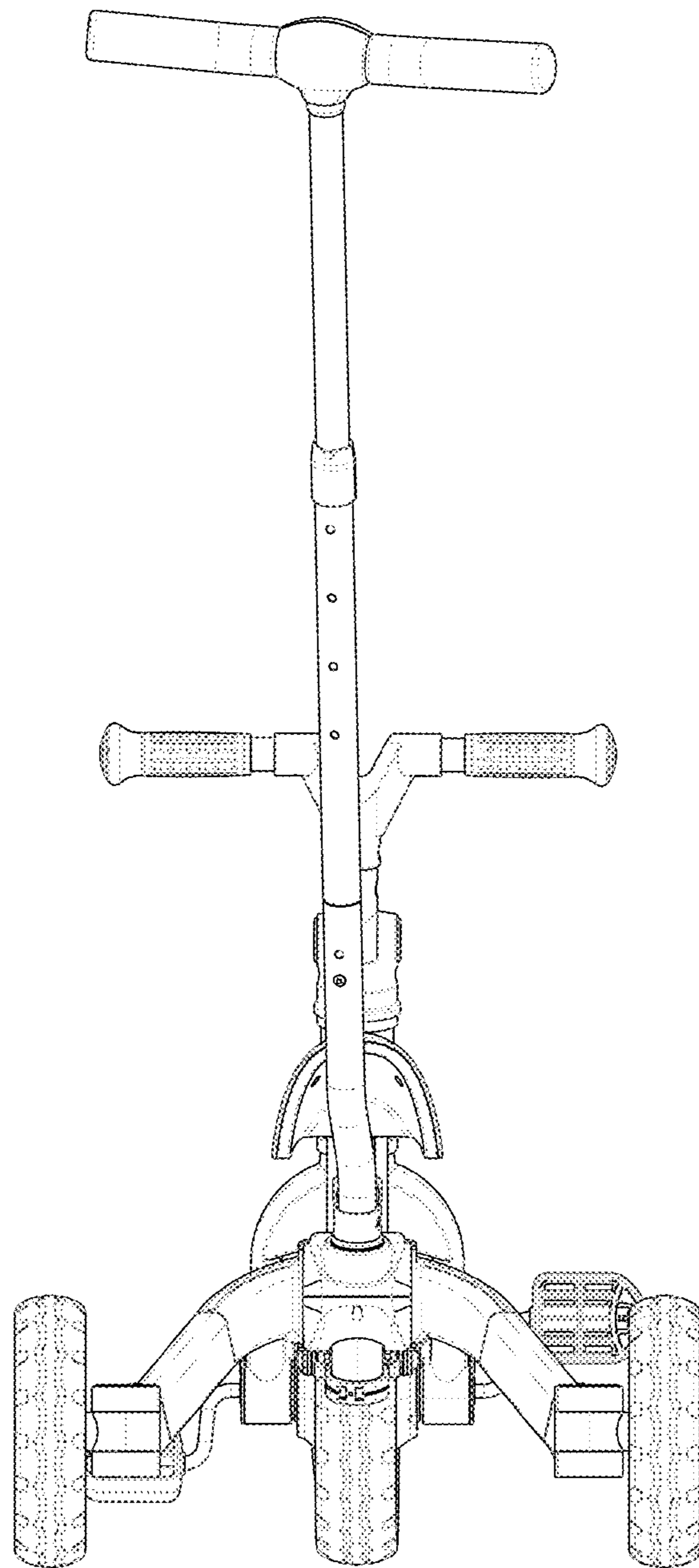


**FIG. 5**

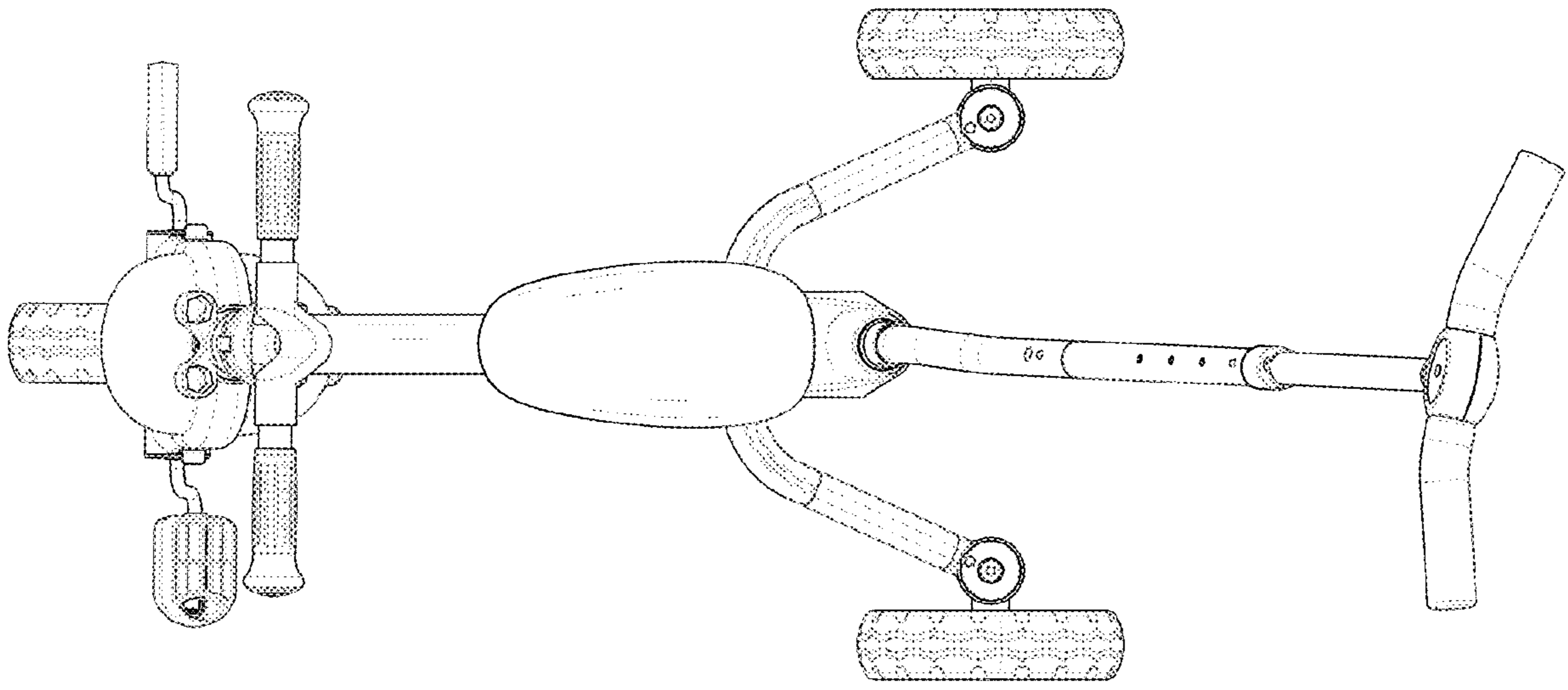


**FIG. 6**

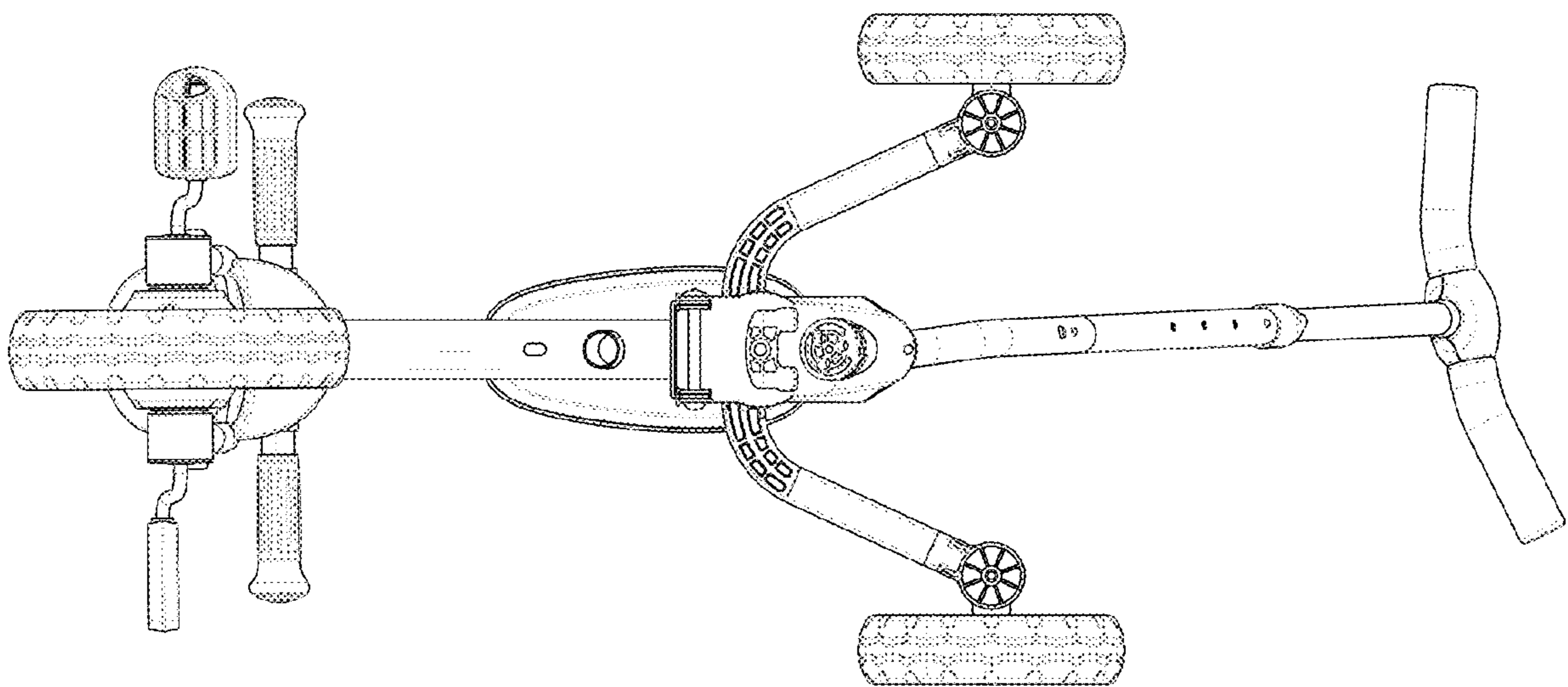




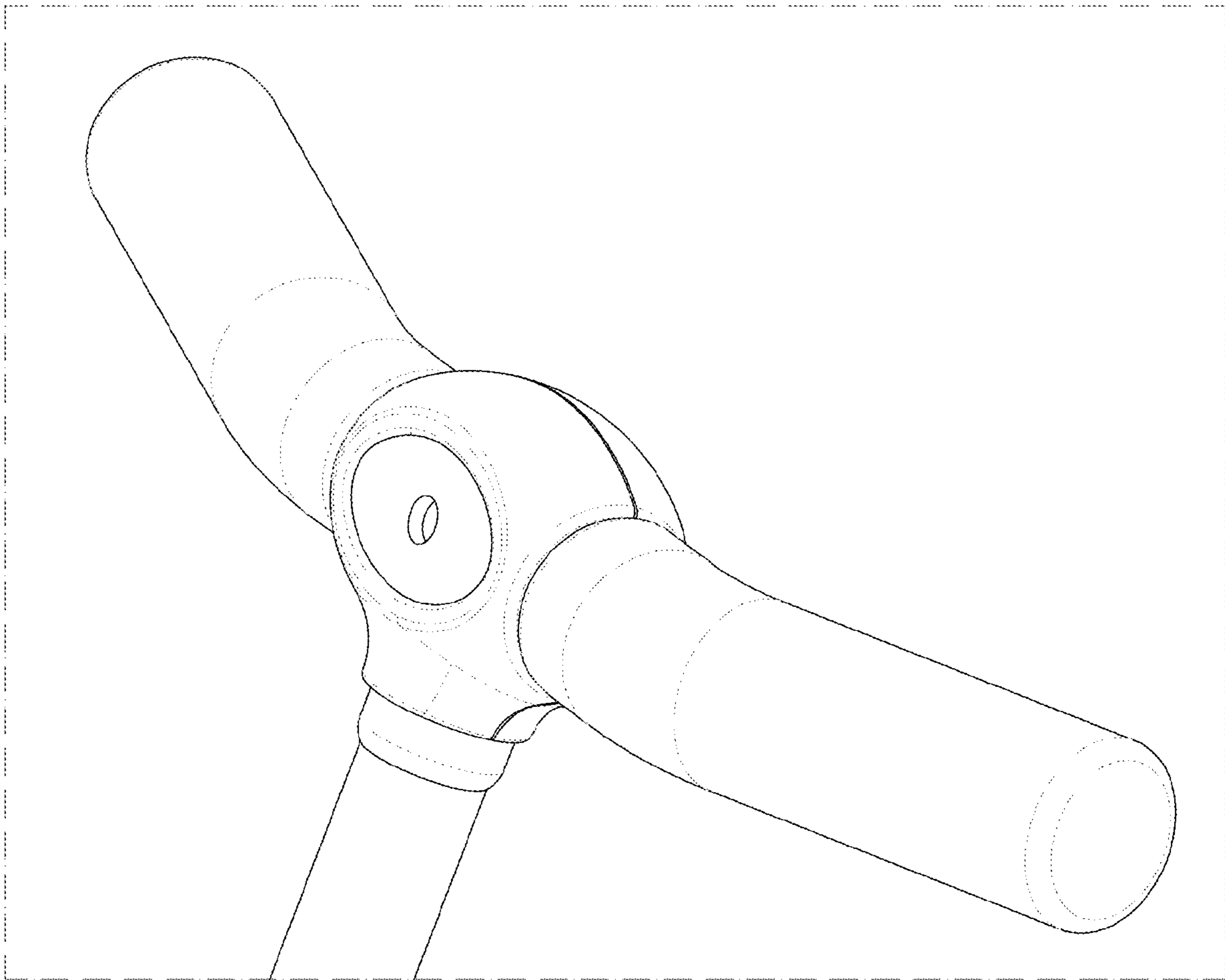
**FIG. 7**



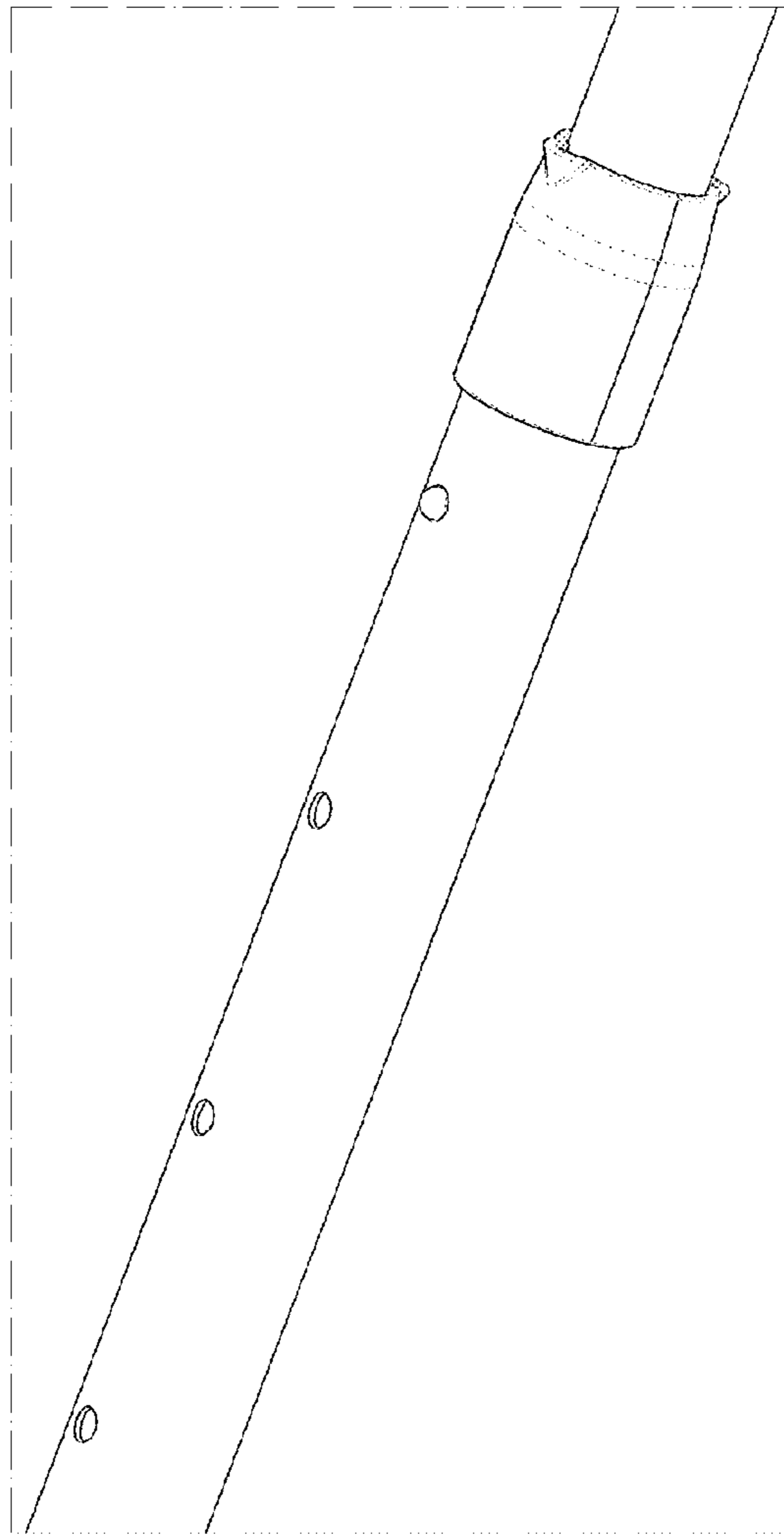
**FIG. 8**



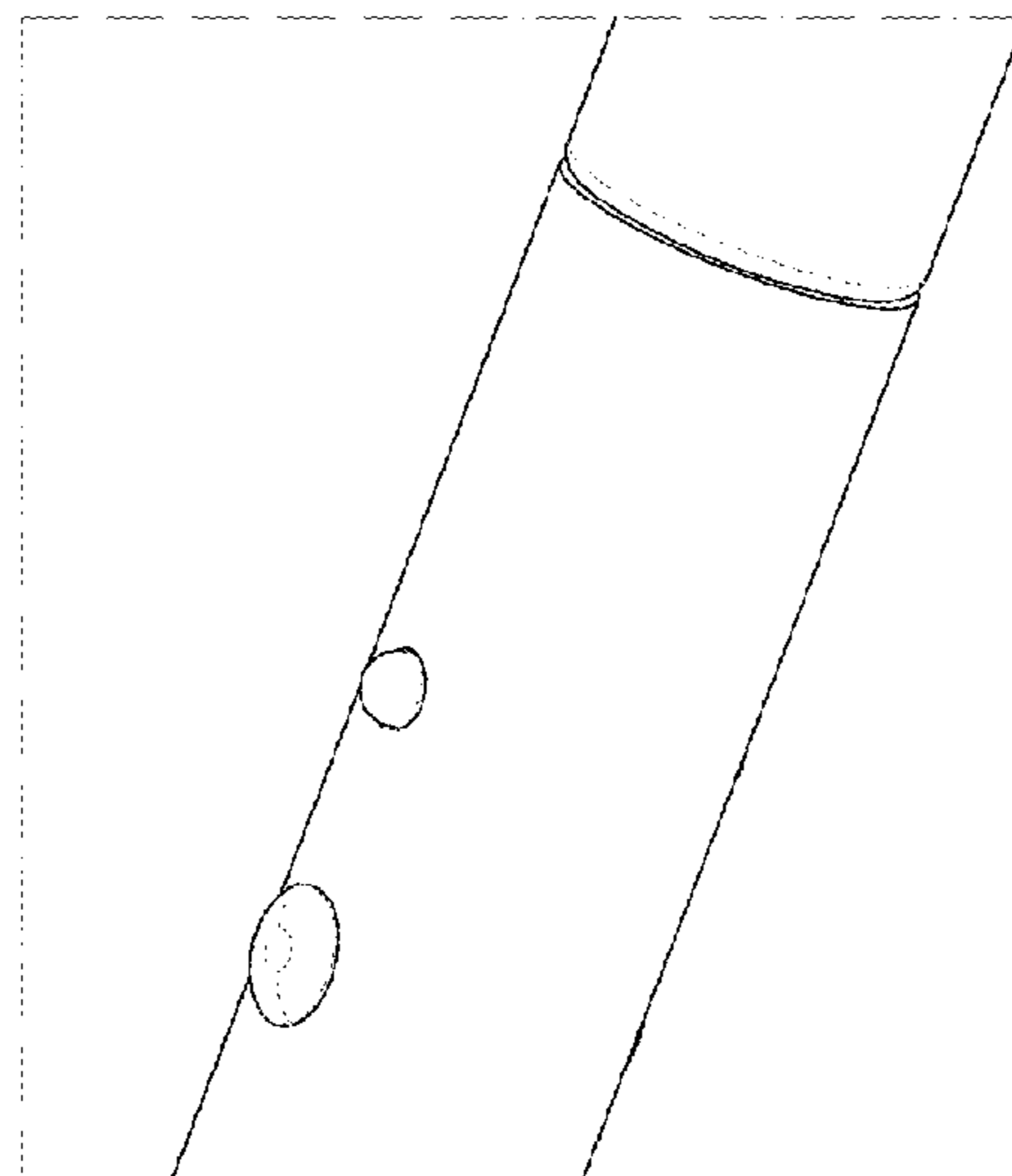
**FIG. 9**



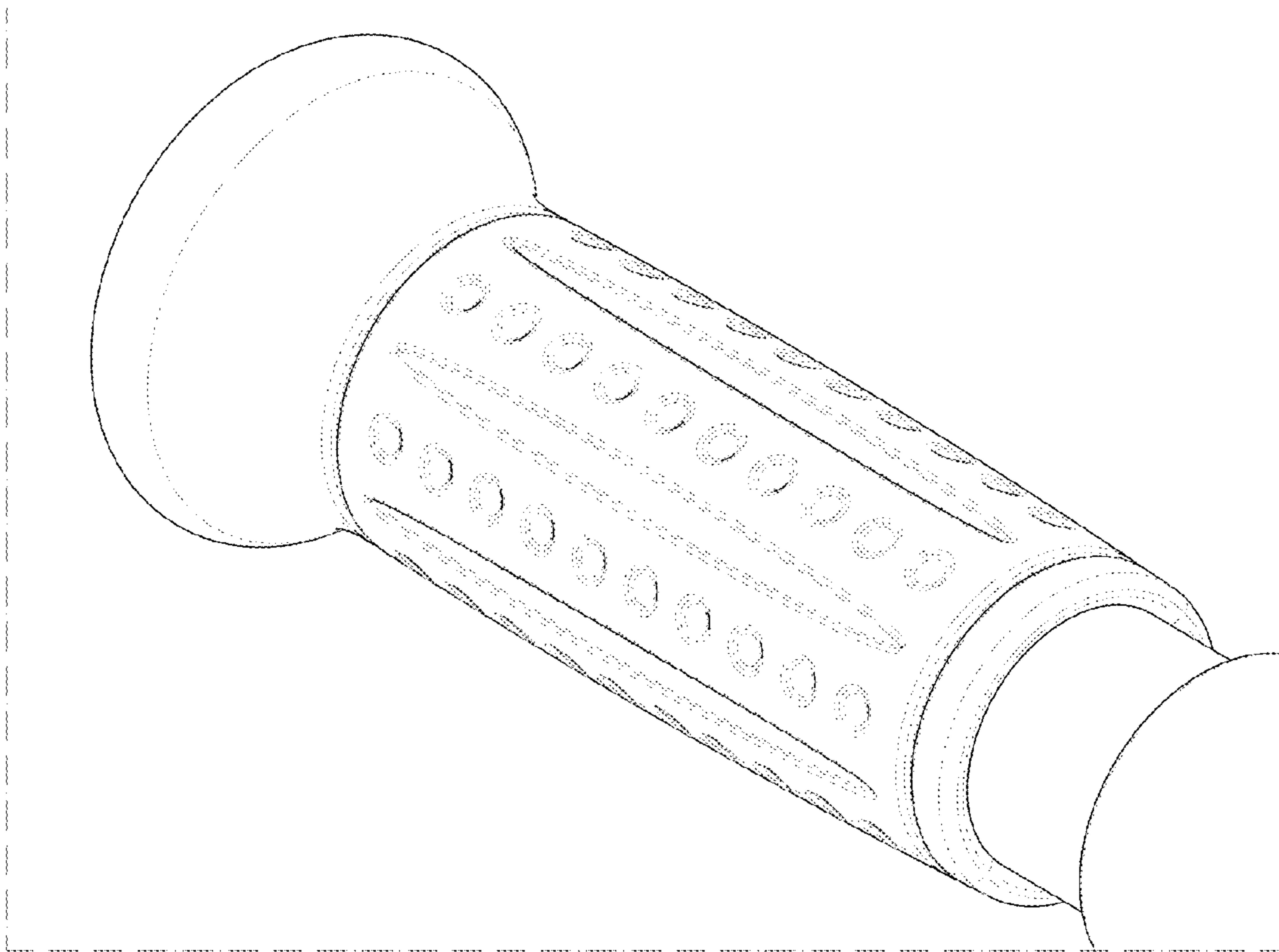
**FIG. 10**



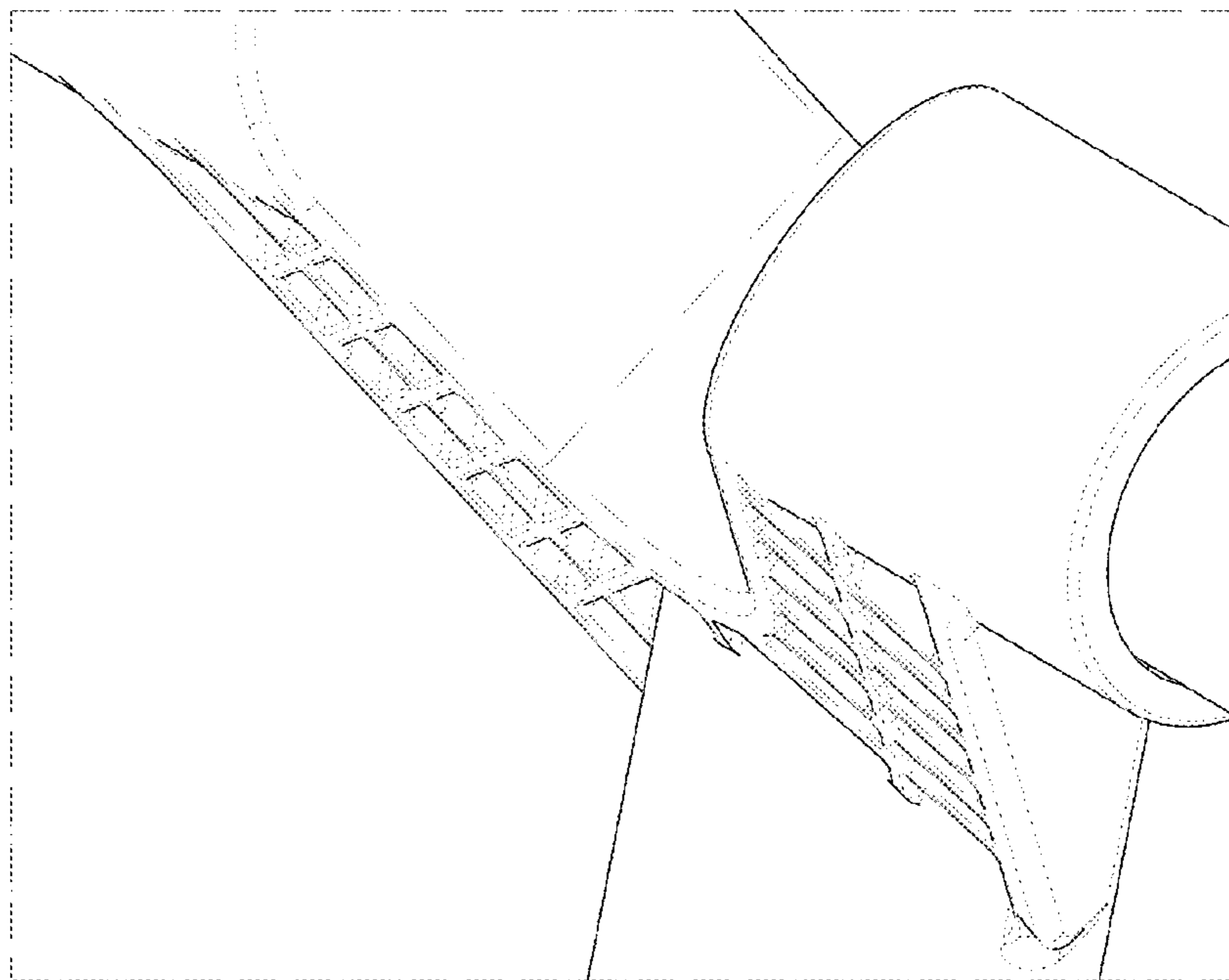
**FIG. 11**



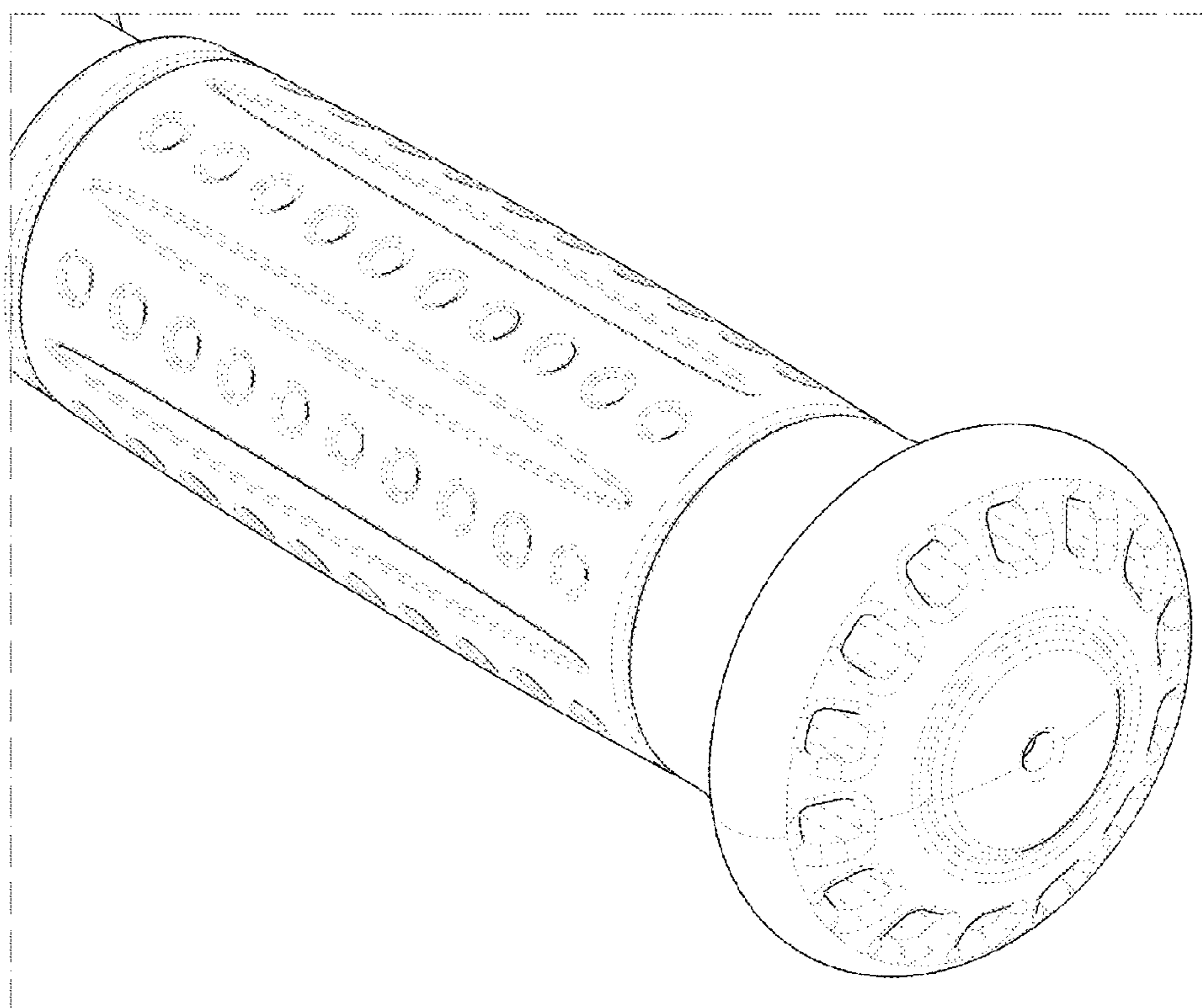
**FIG. 12**



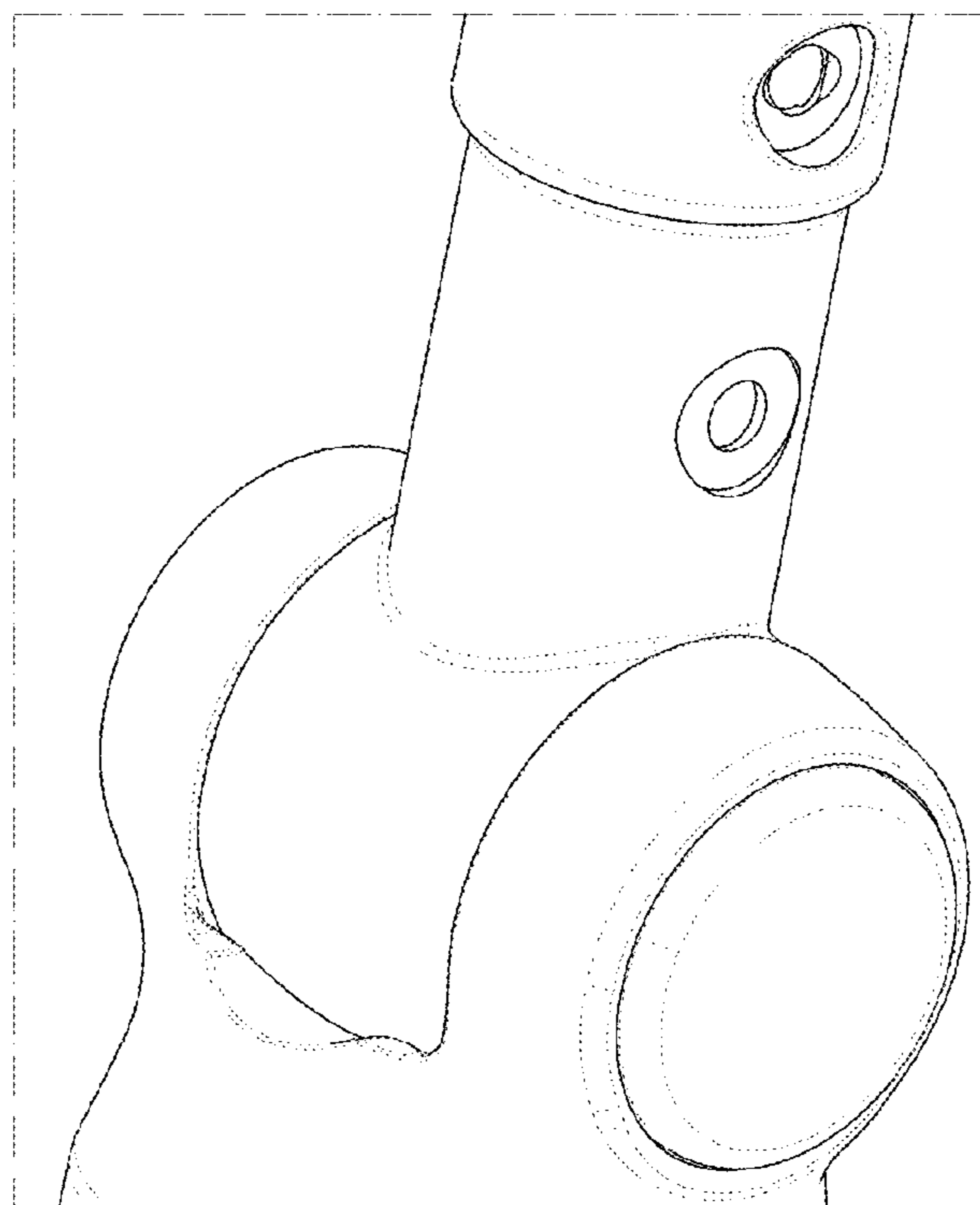
**FIG. 13**



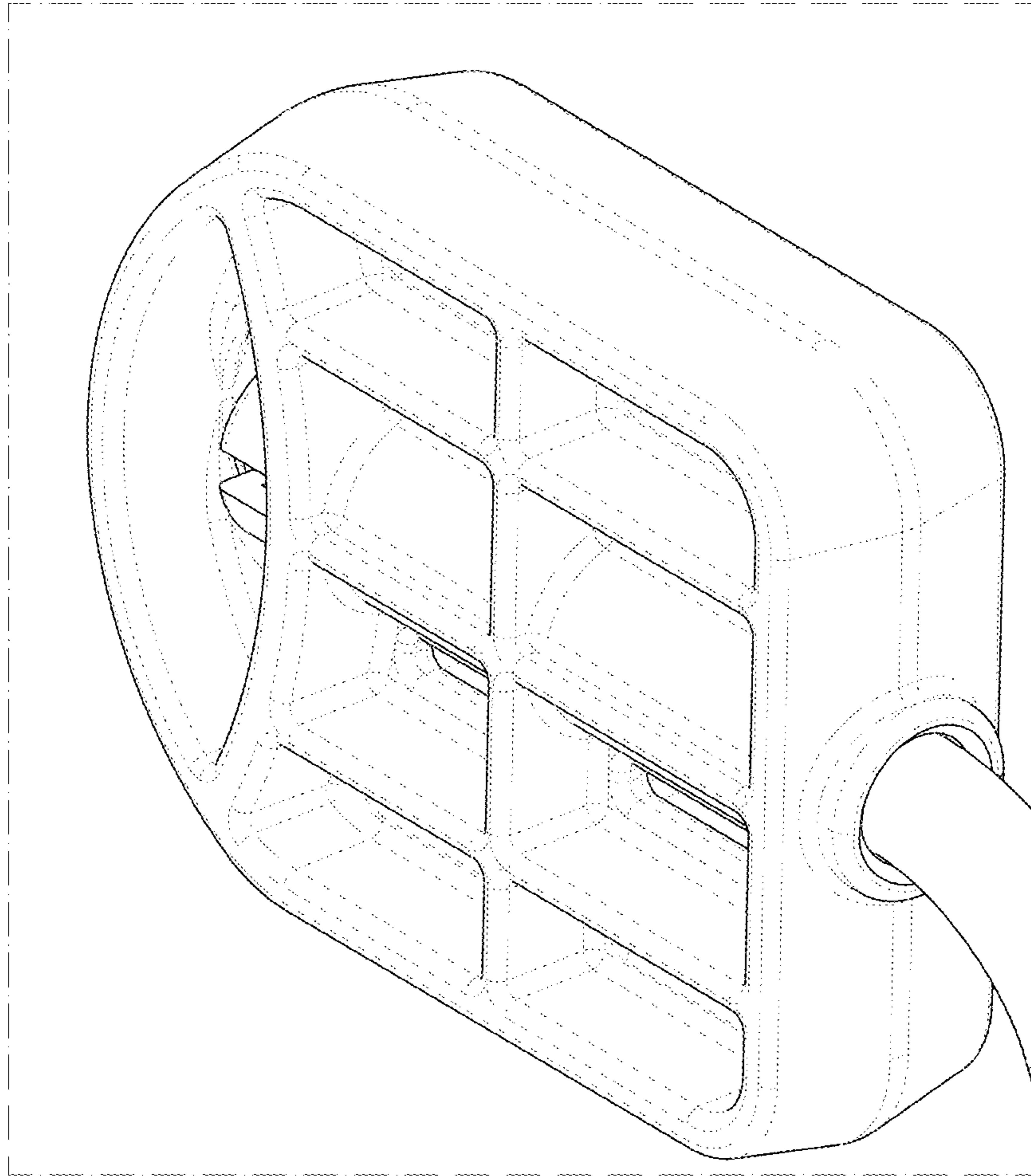
**FIG. 14**



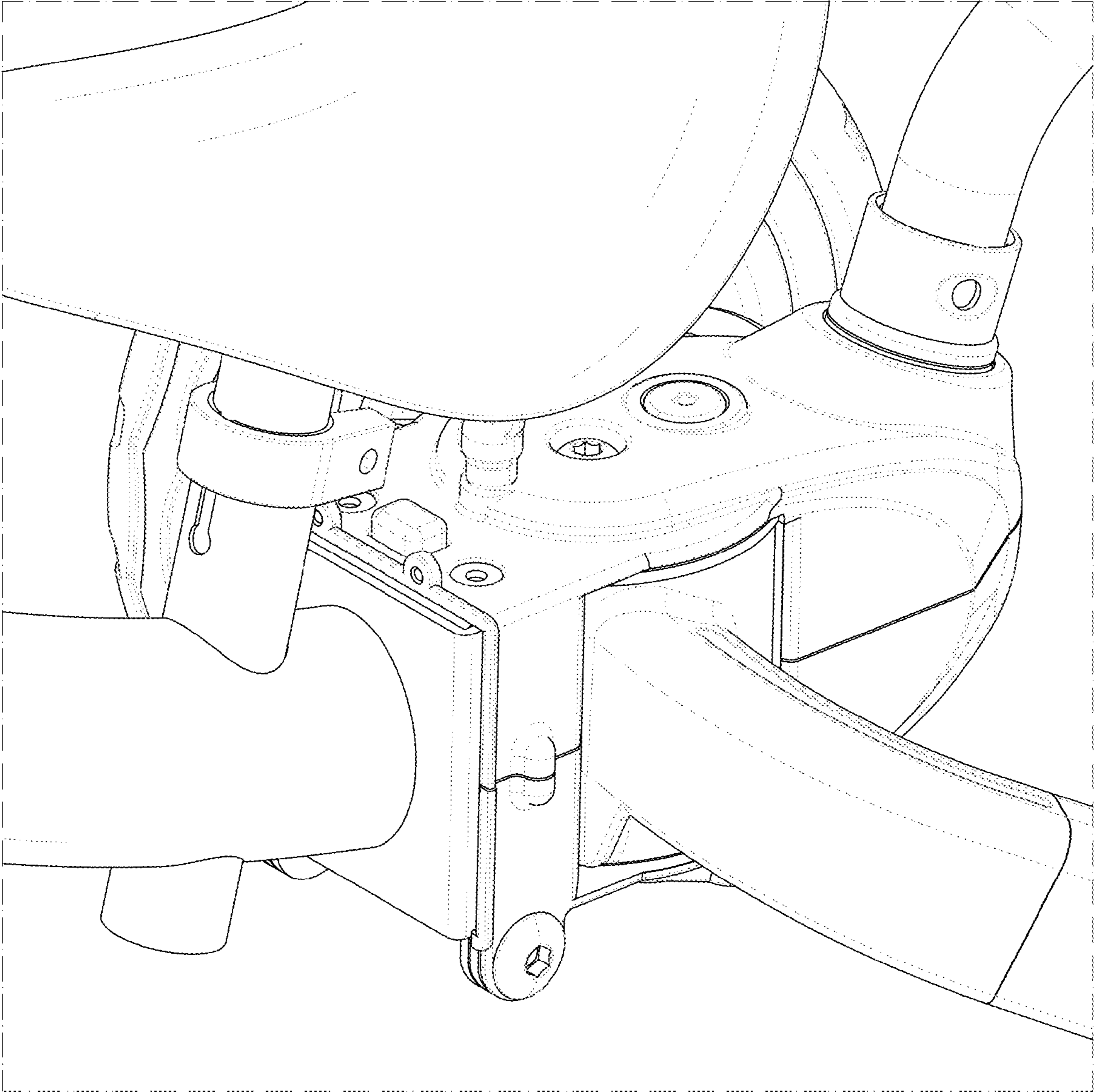
**FIG. 15**



**FIG. 16**

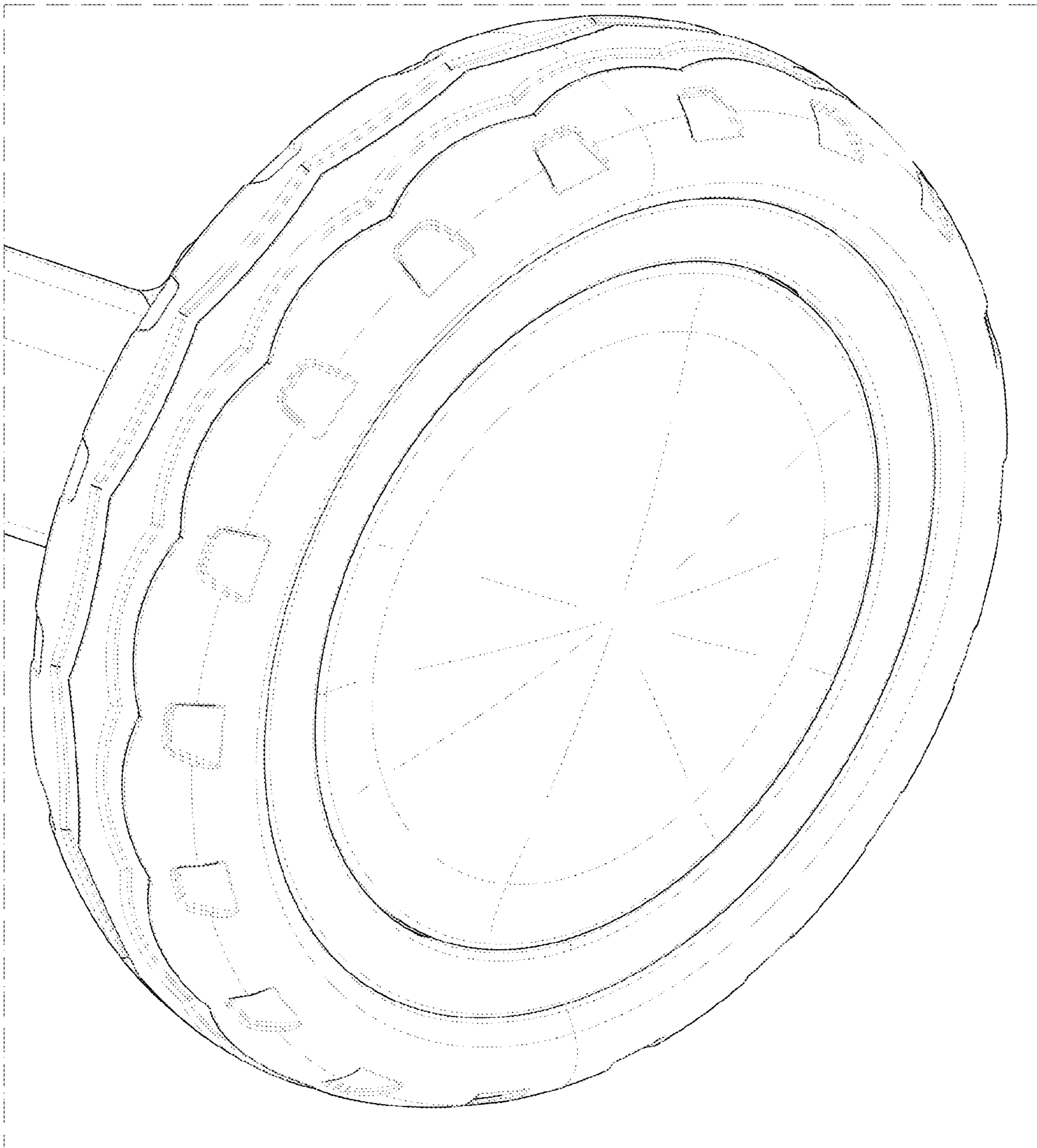


**FIG. 17**

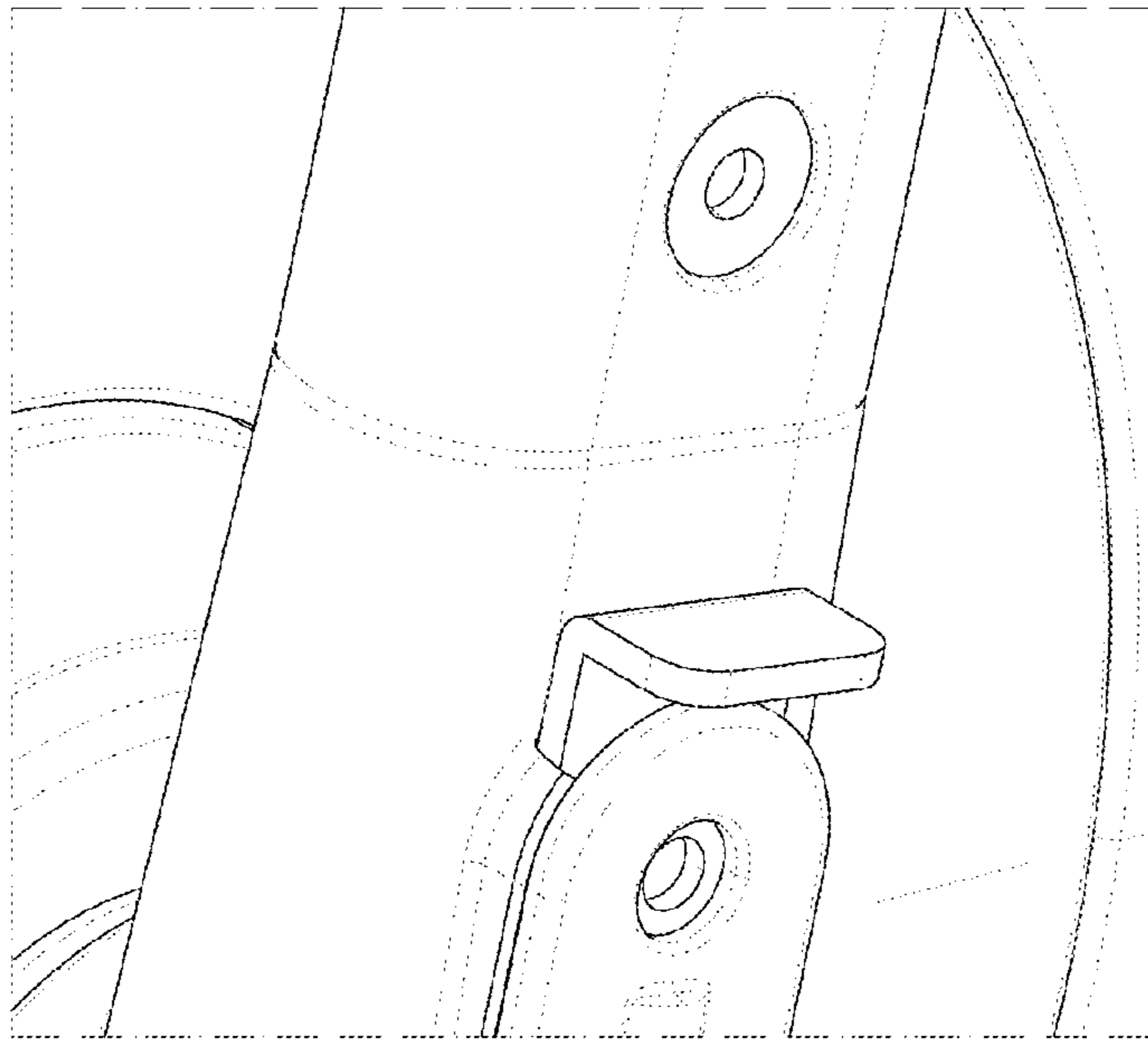


**FIG. 18**

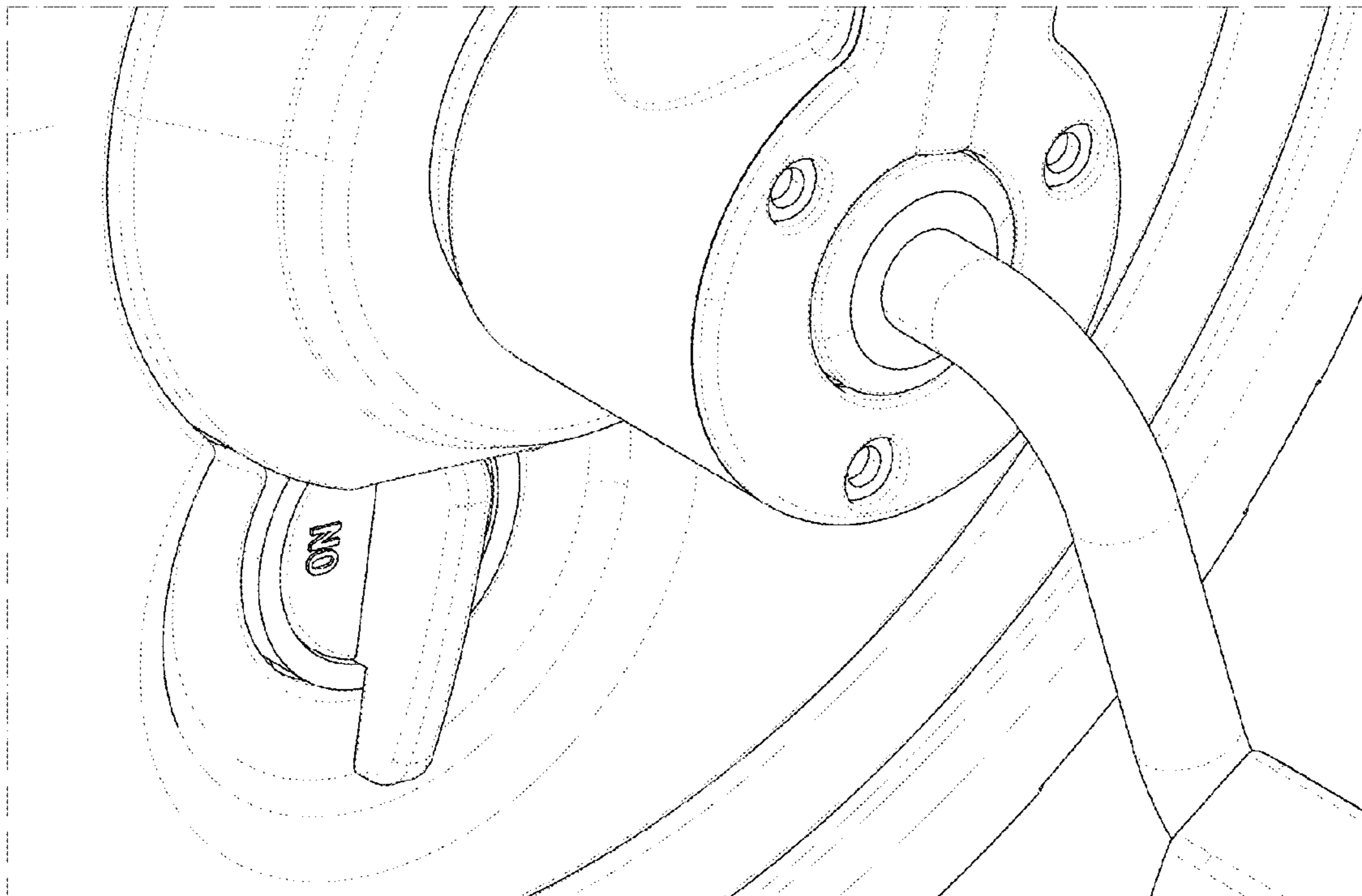




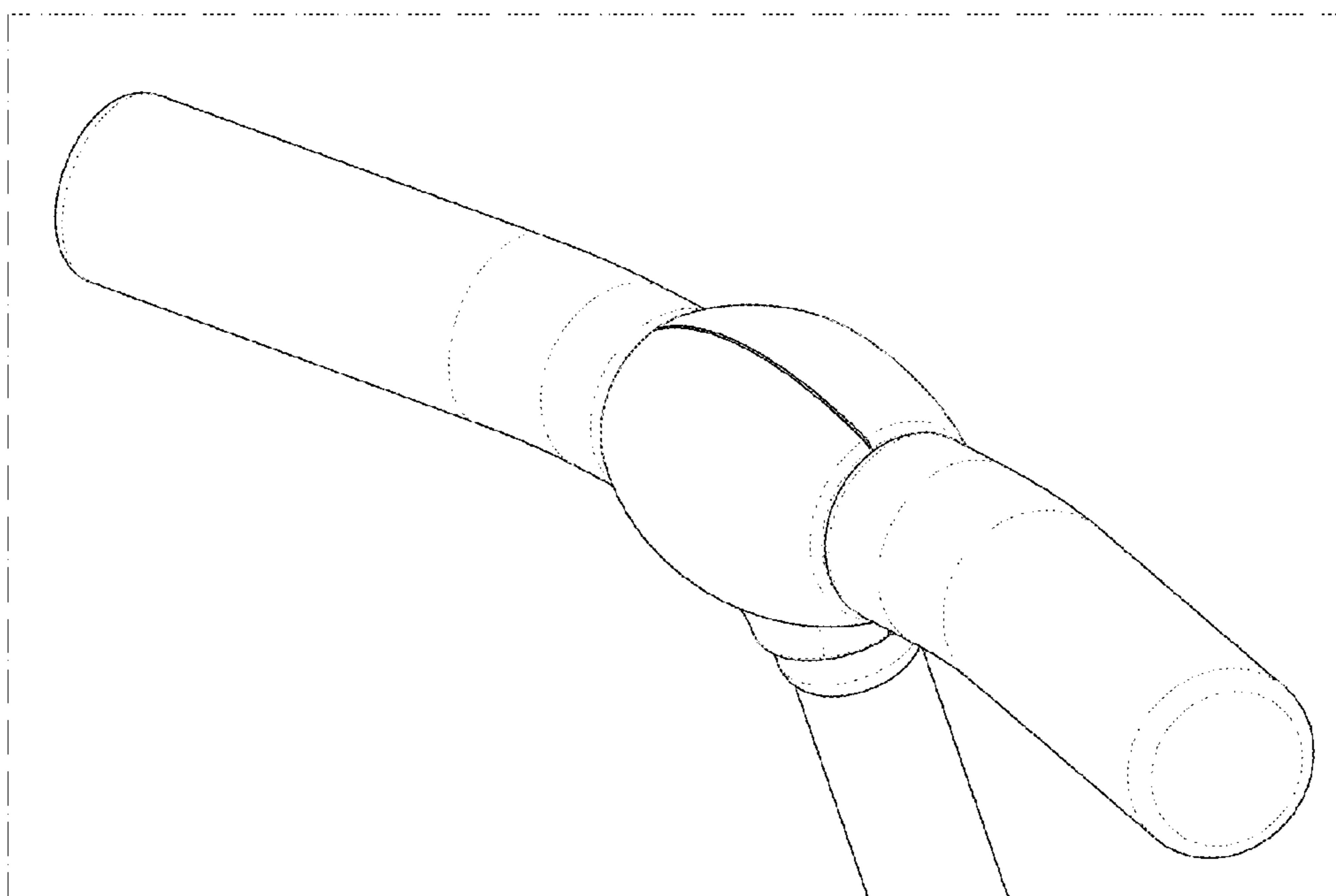
**FIG. 19**



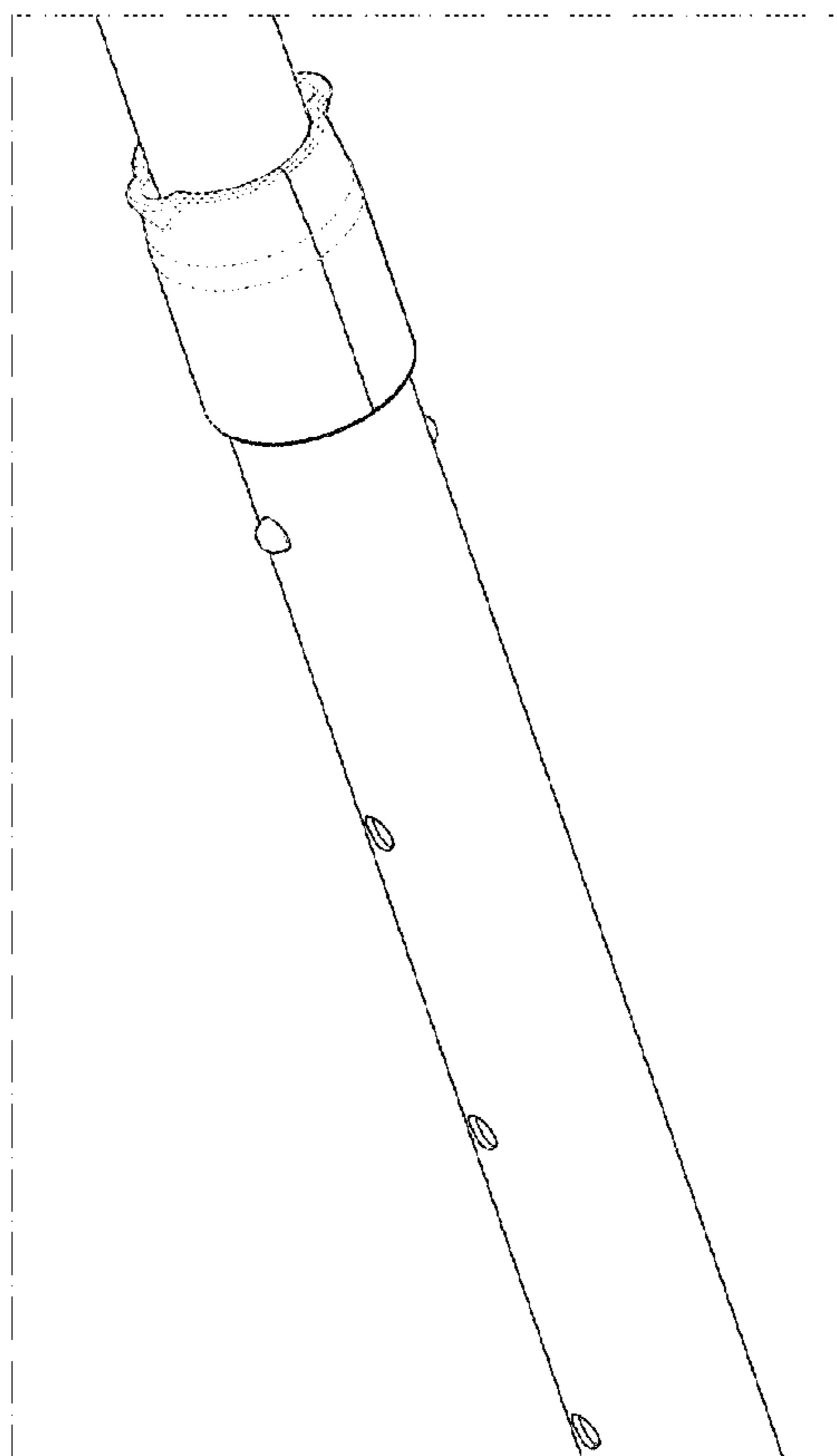
**FIG. 20**



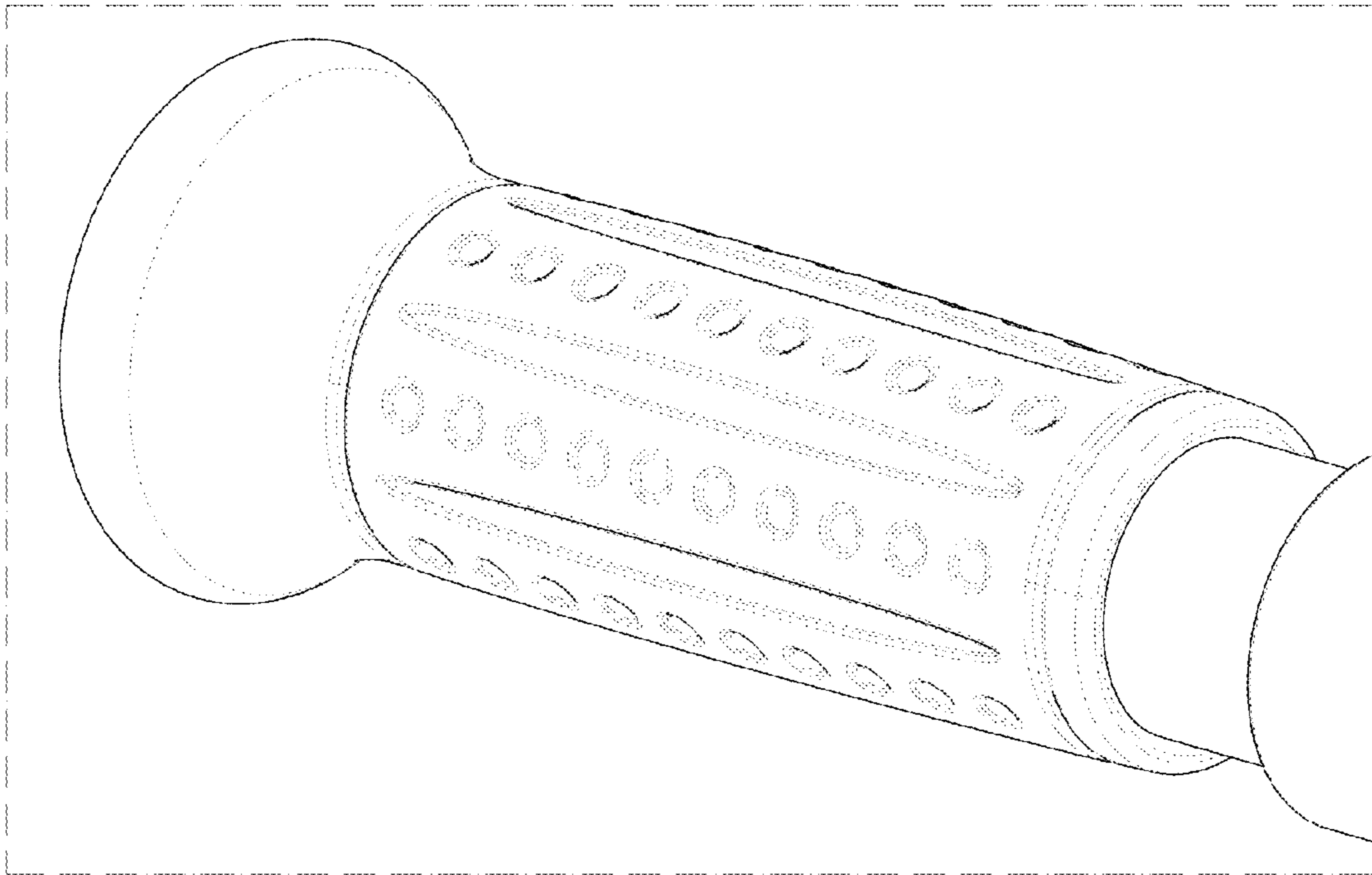
**FIG. 21**



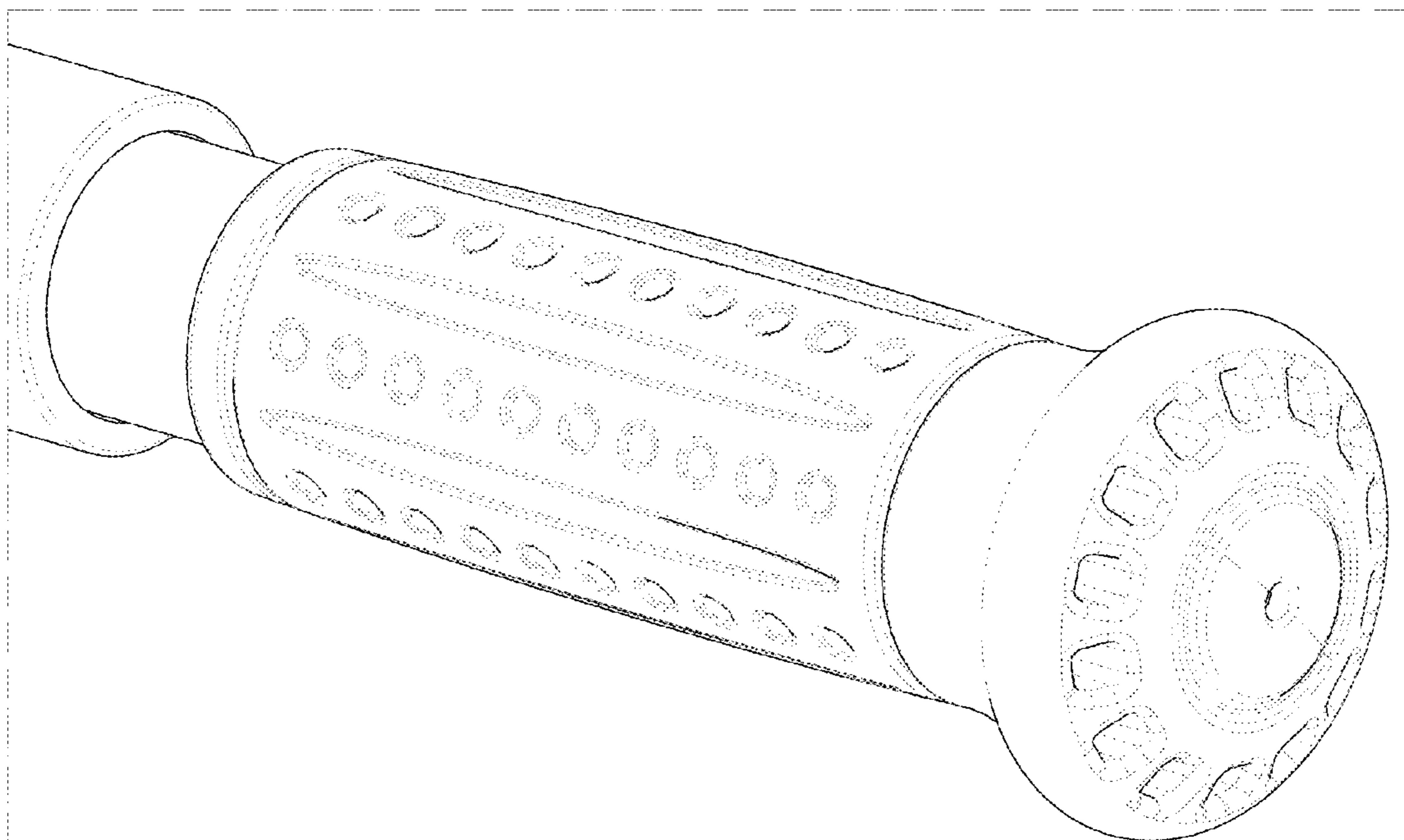
**FIG. 22**



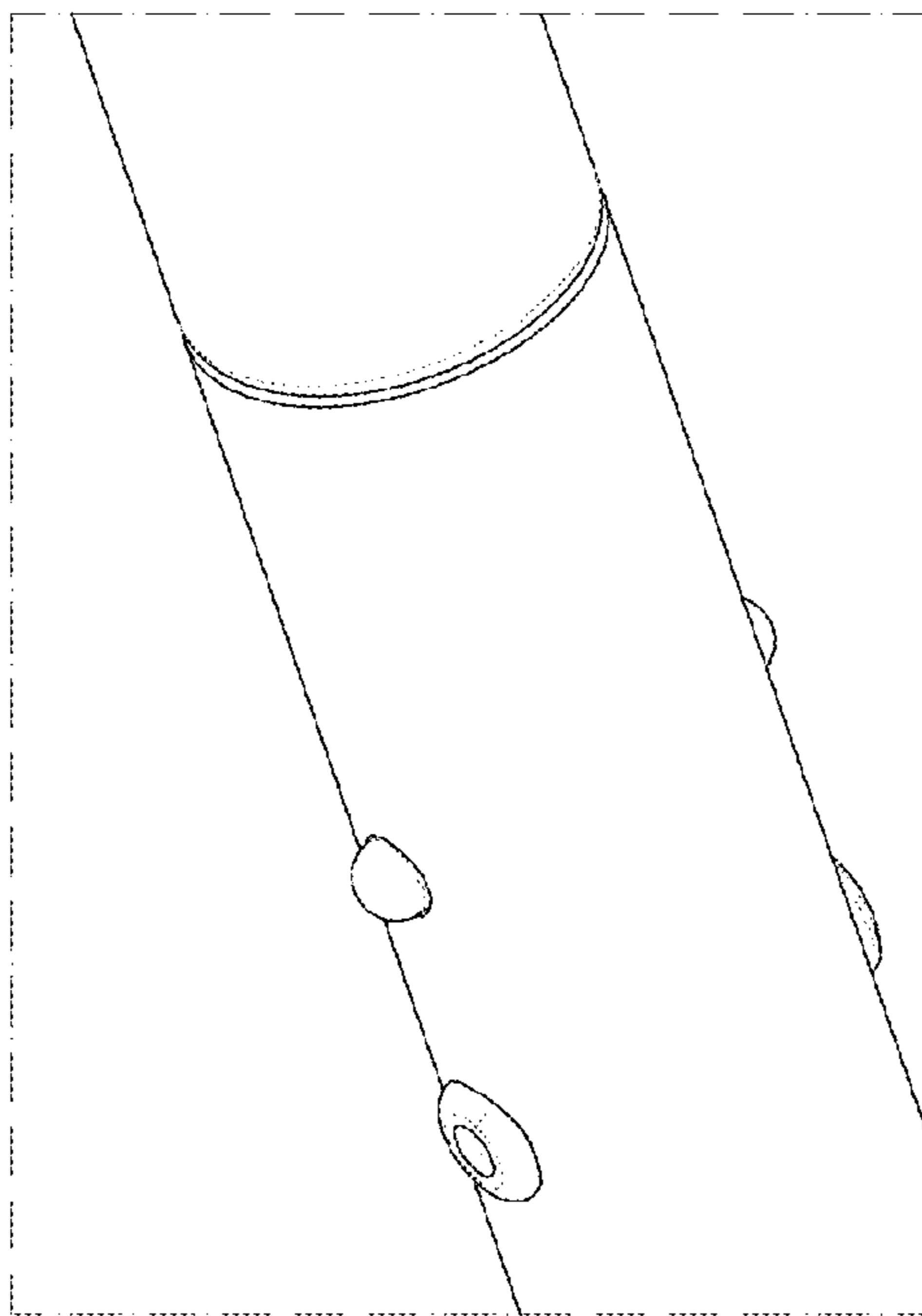
**FIG. 23**



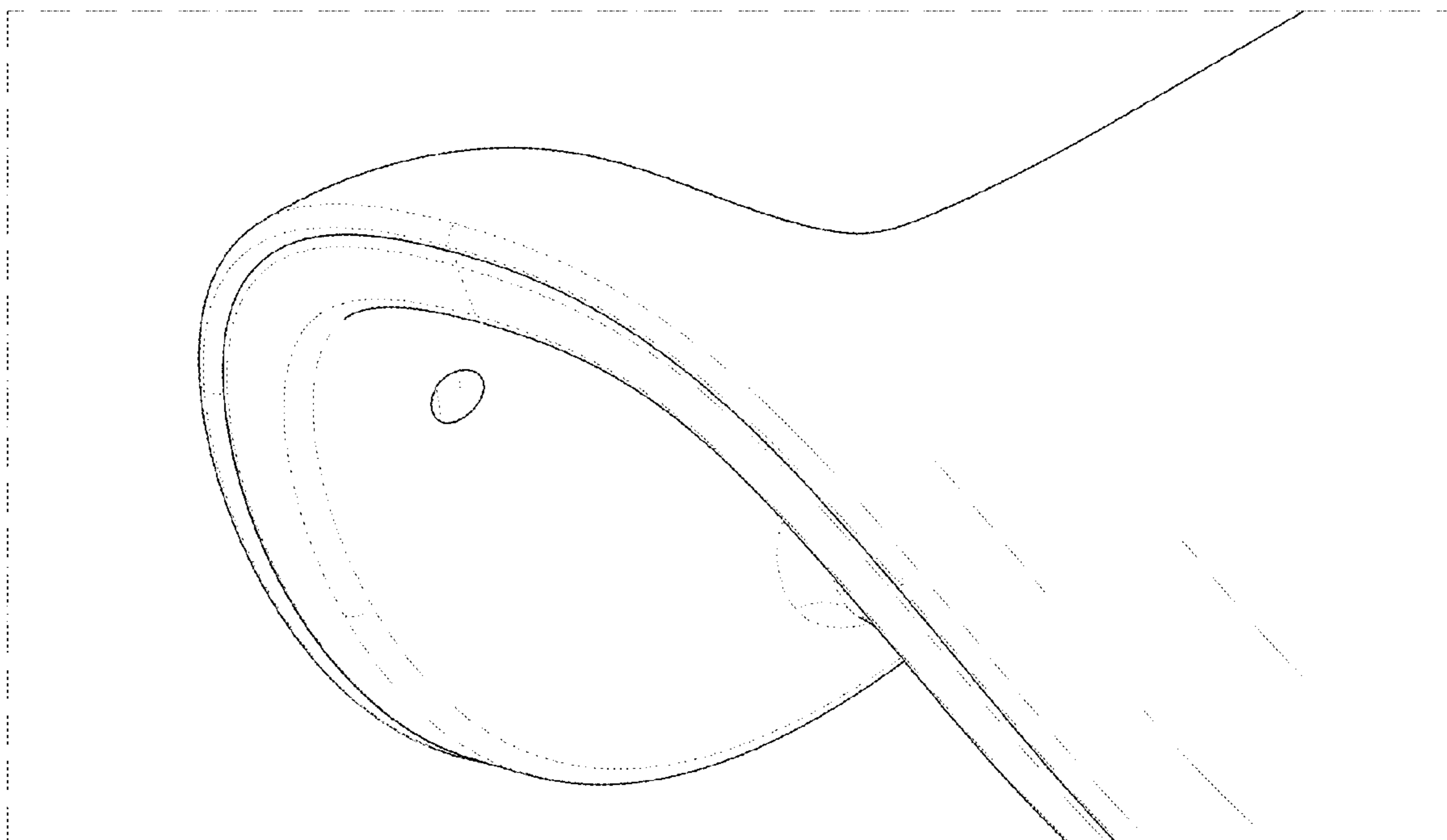
**FIG. 24**



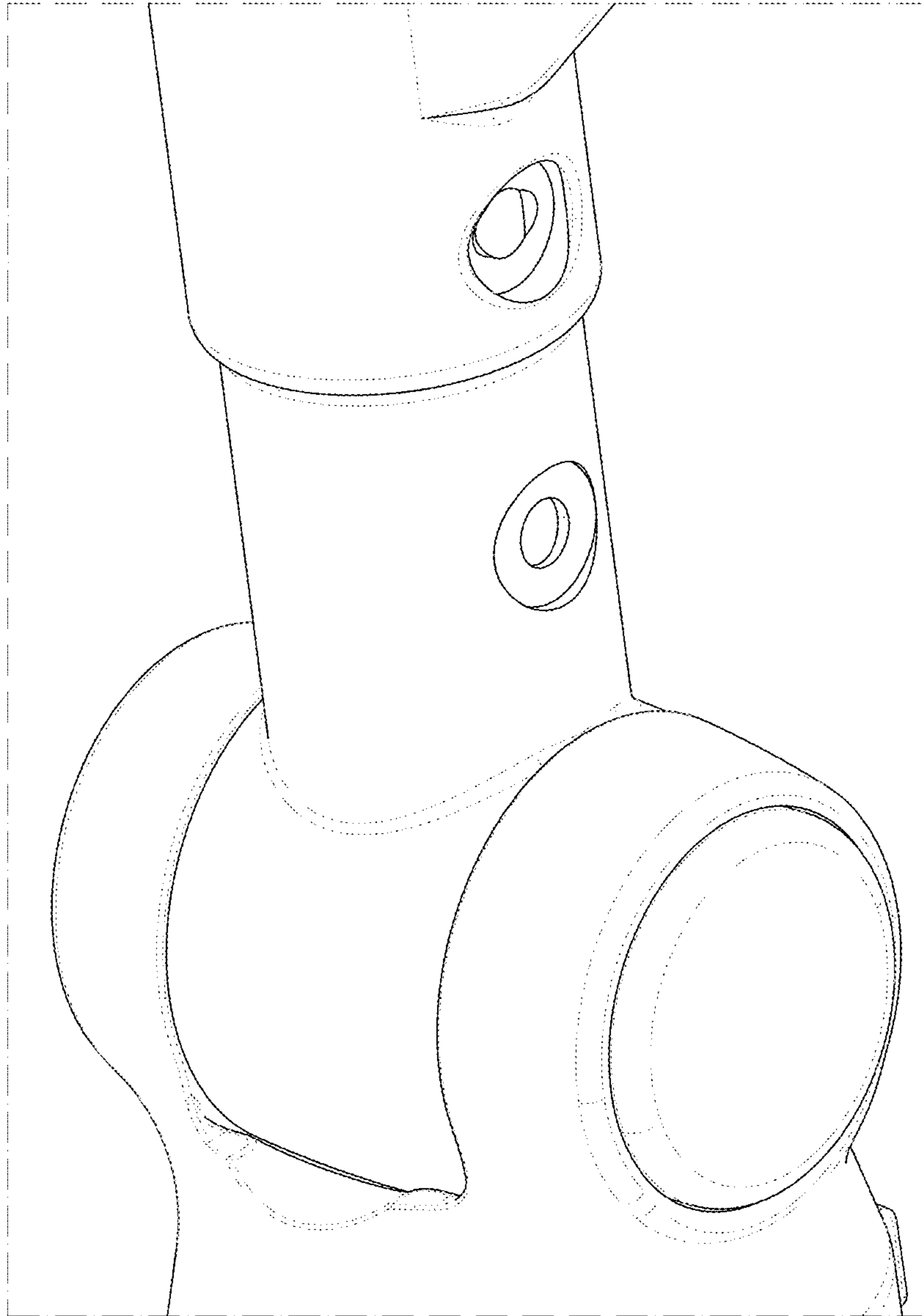
**FIG. 25**



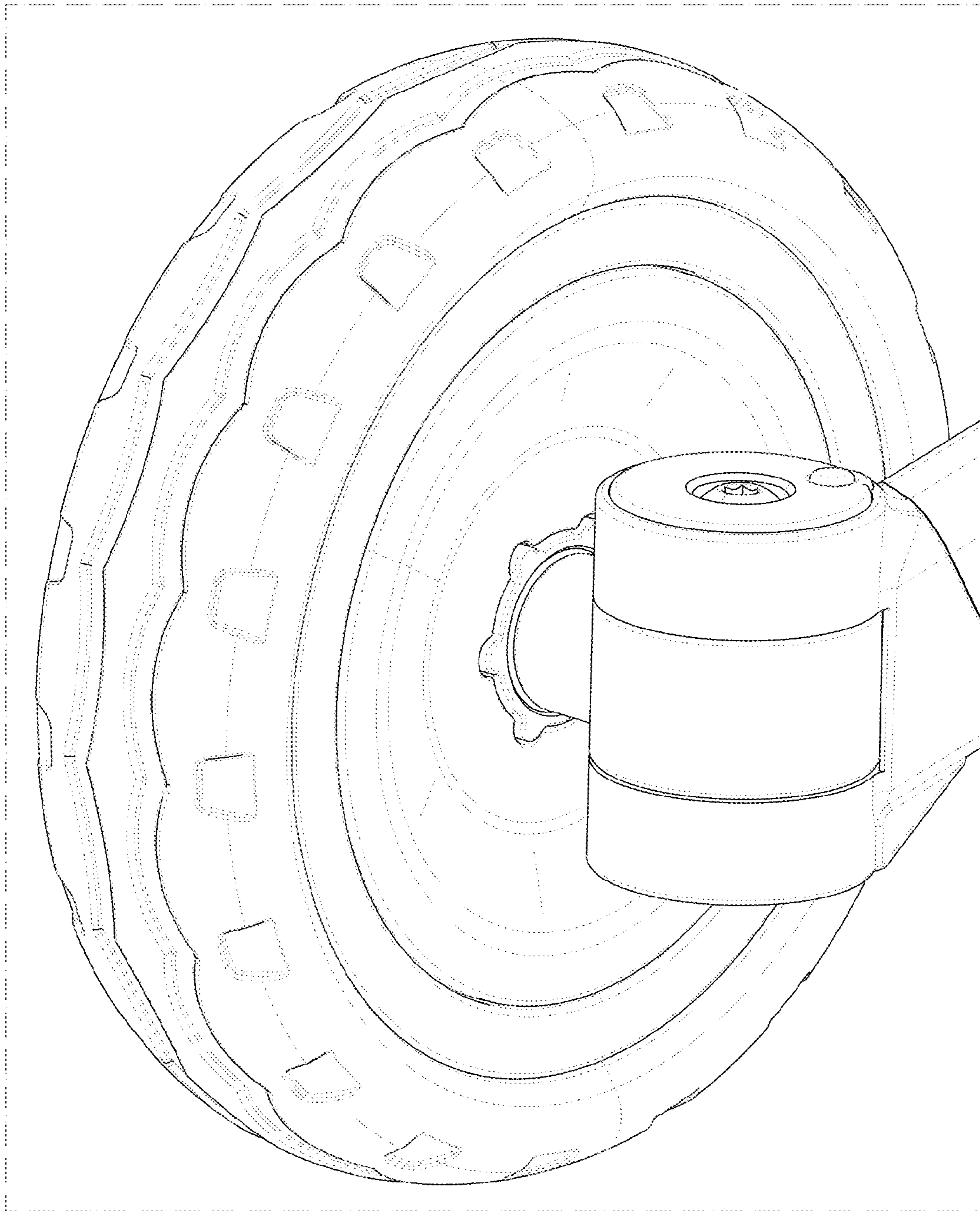
**FIG. 26**



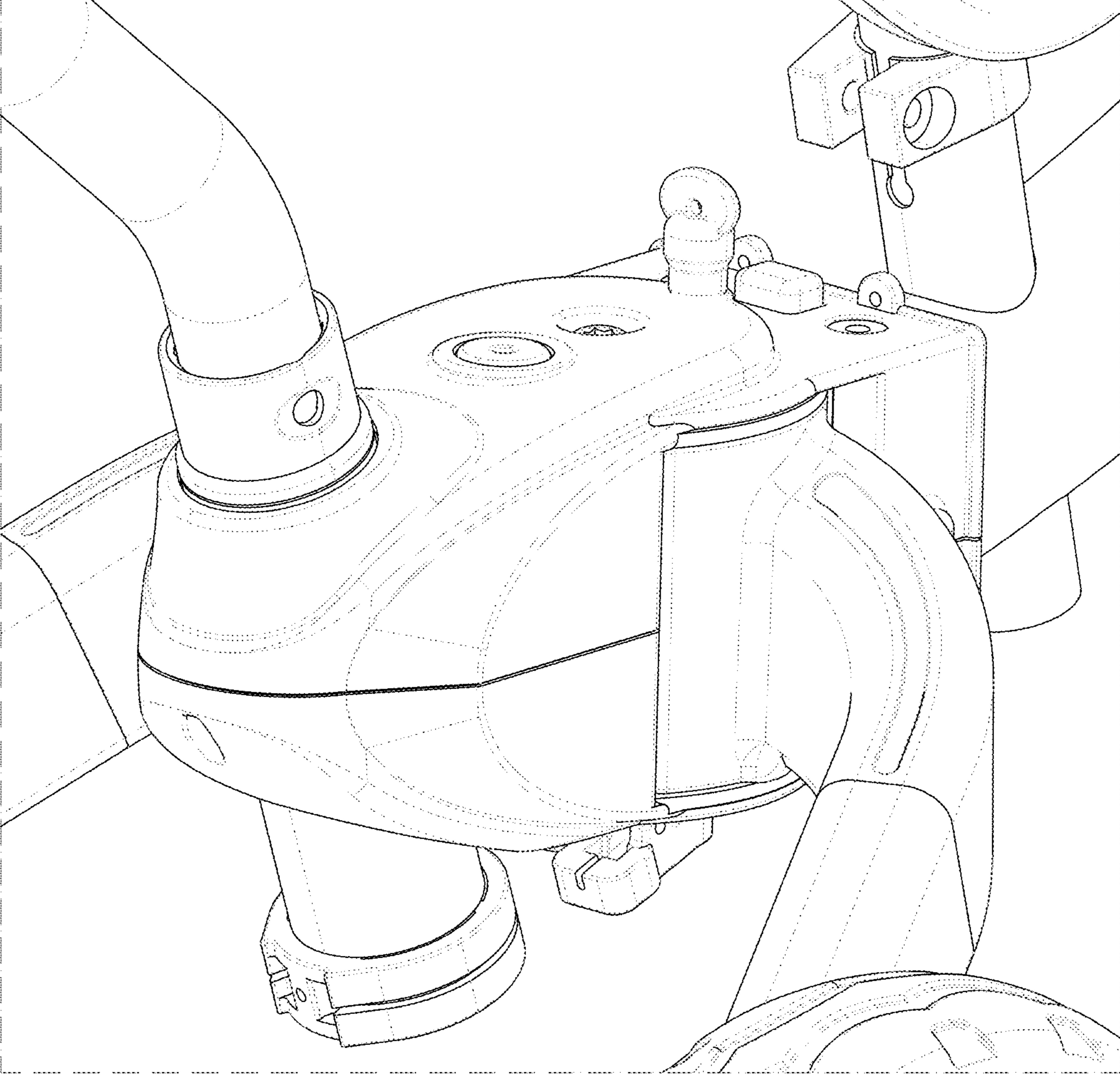
**FIG. 27**



***FIG. 28***

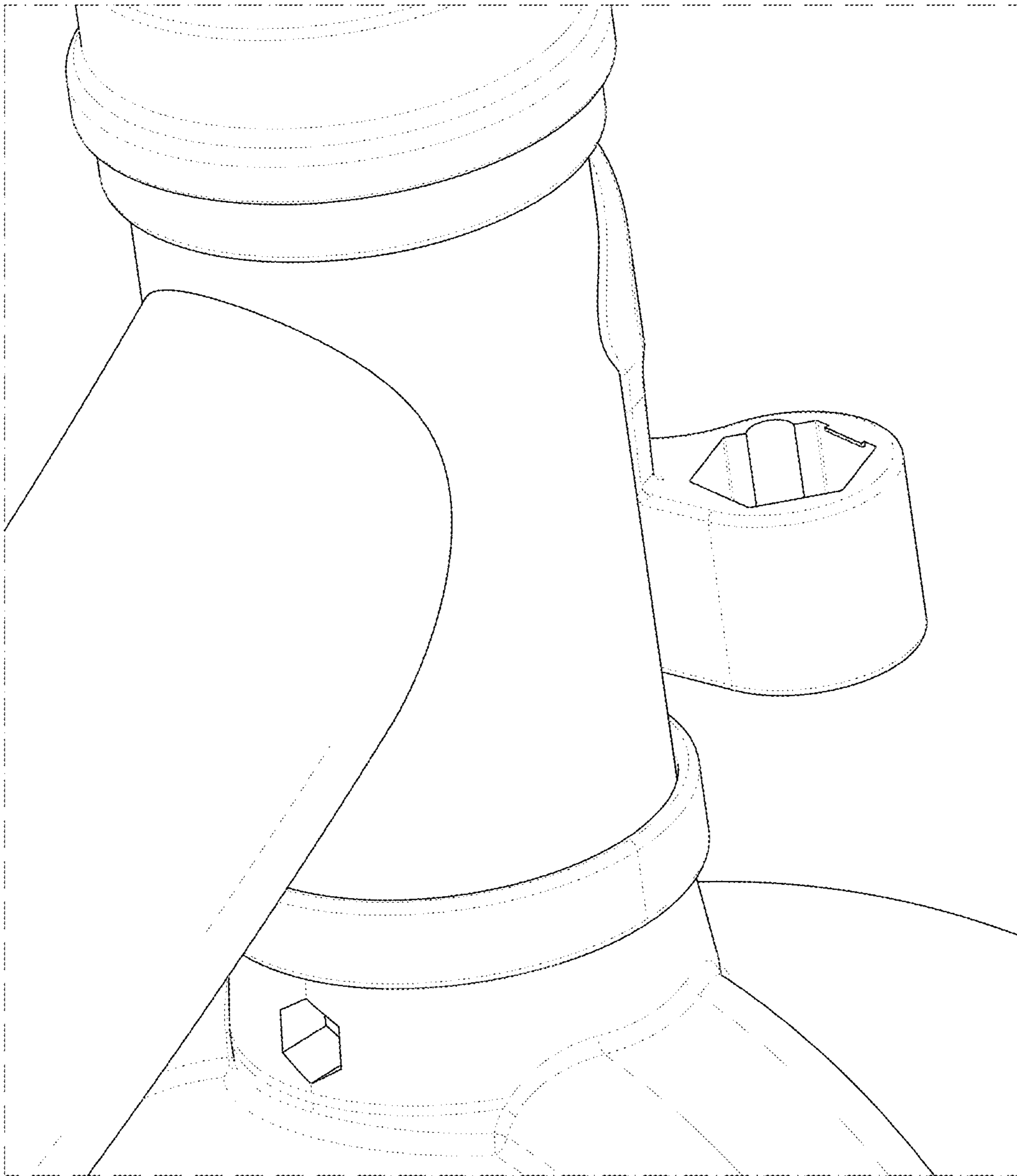


**FIG. 29**

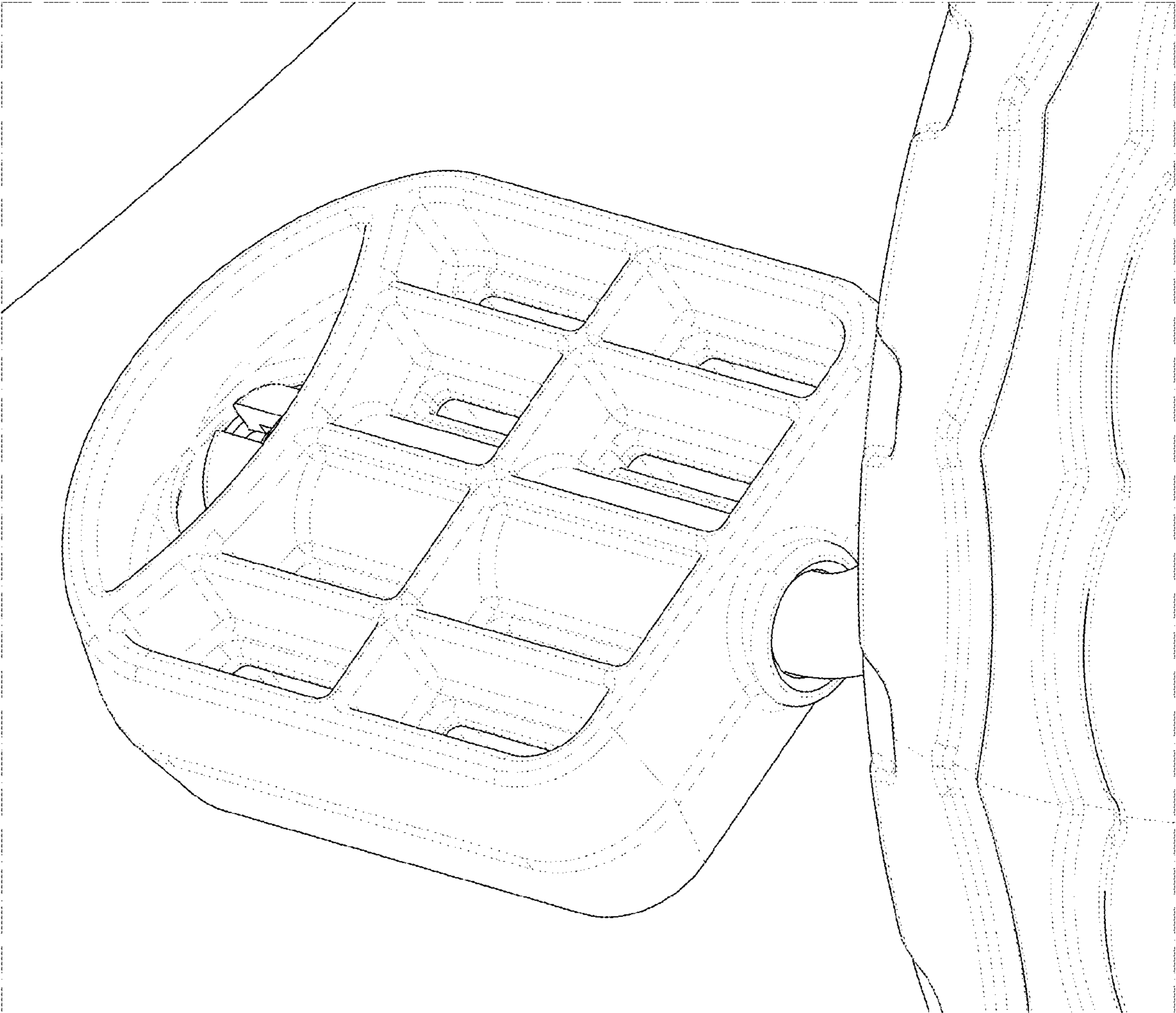


**FIG. 30**

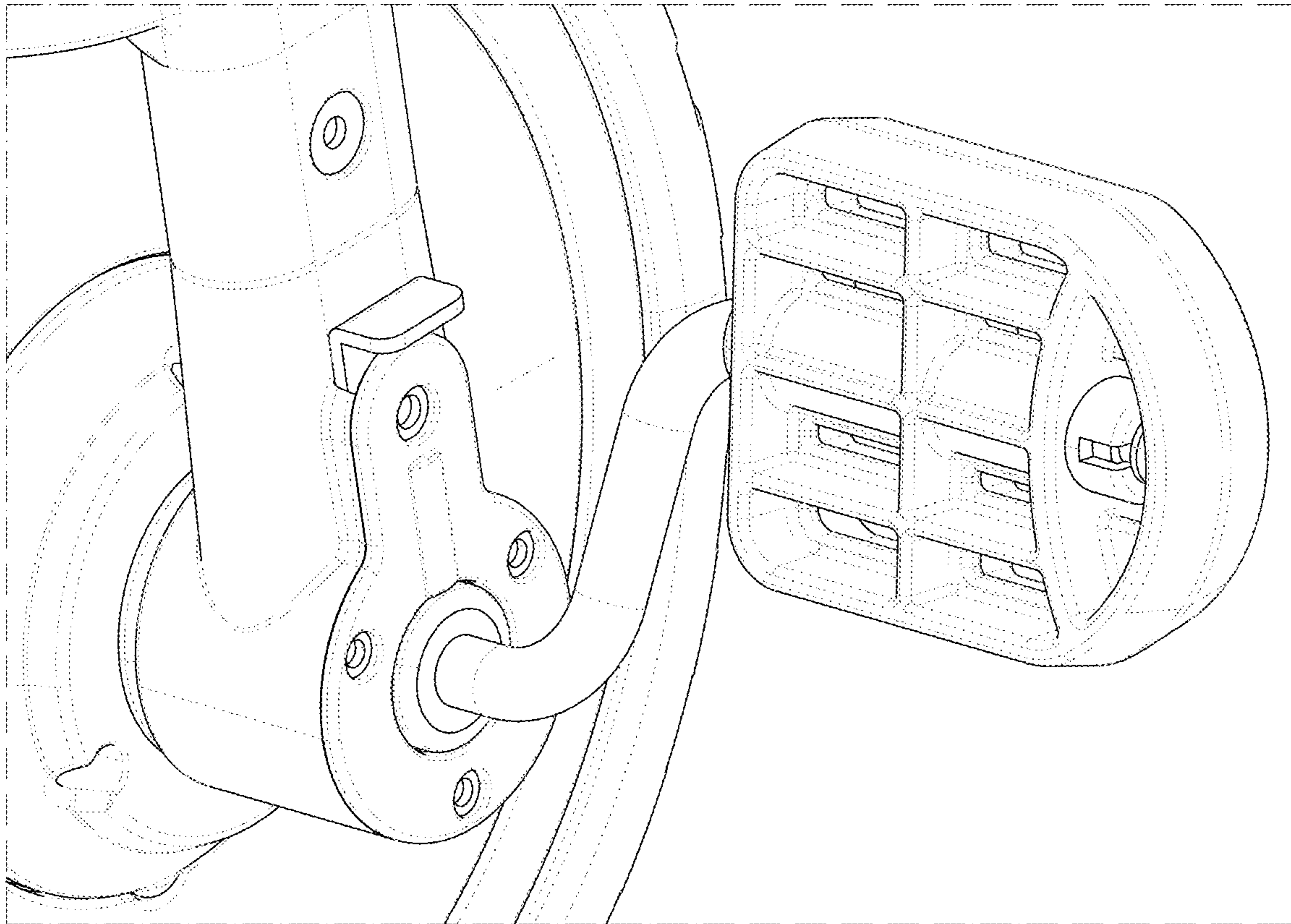




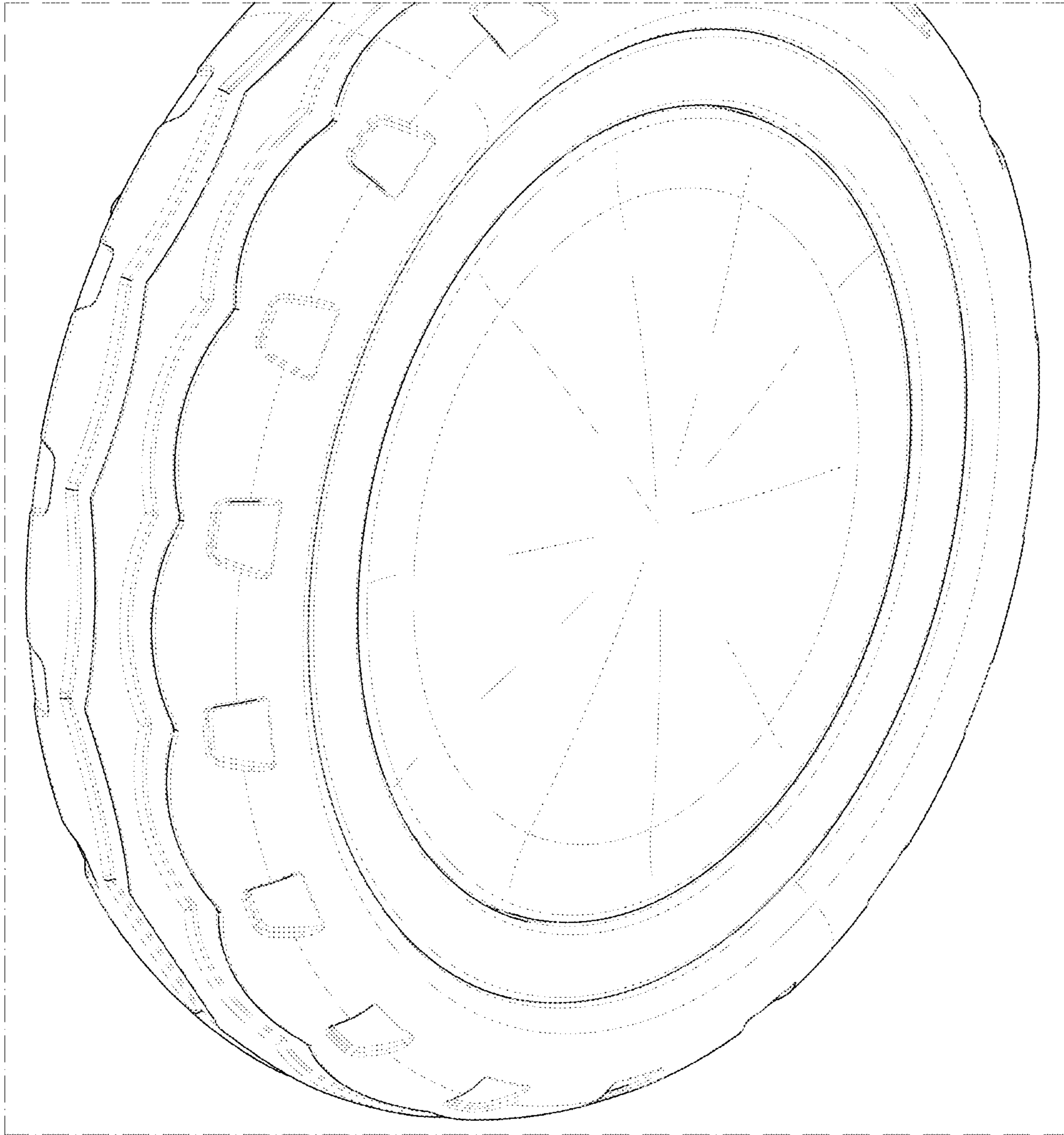
**FIG. 31**



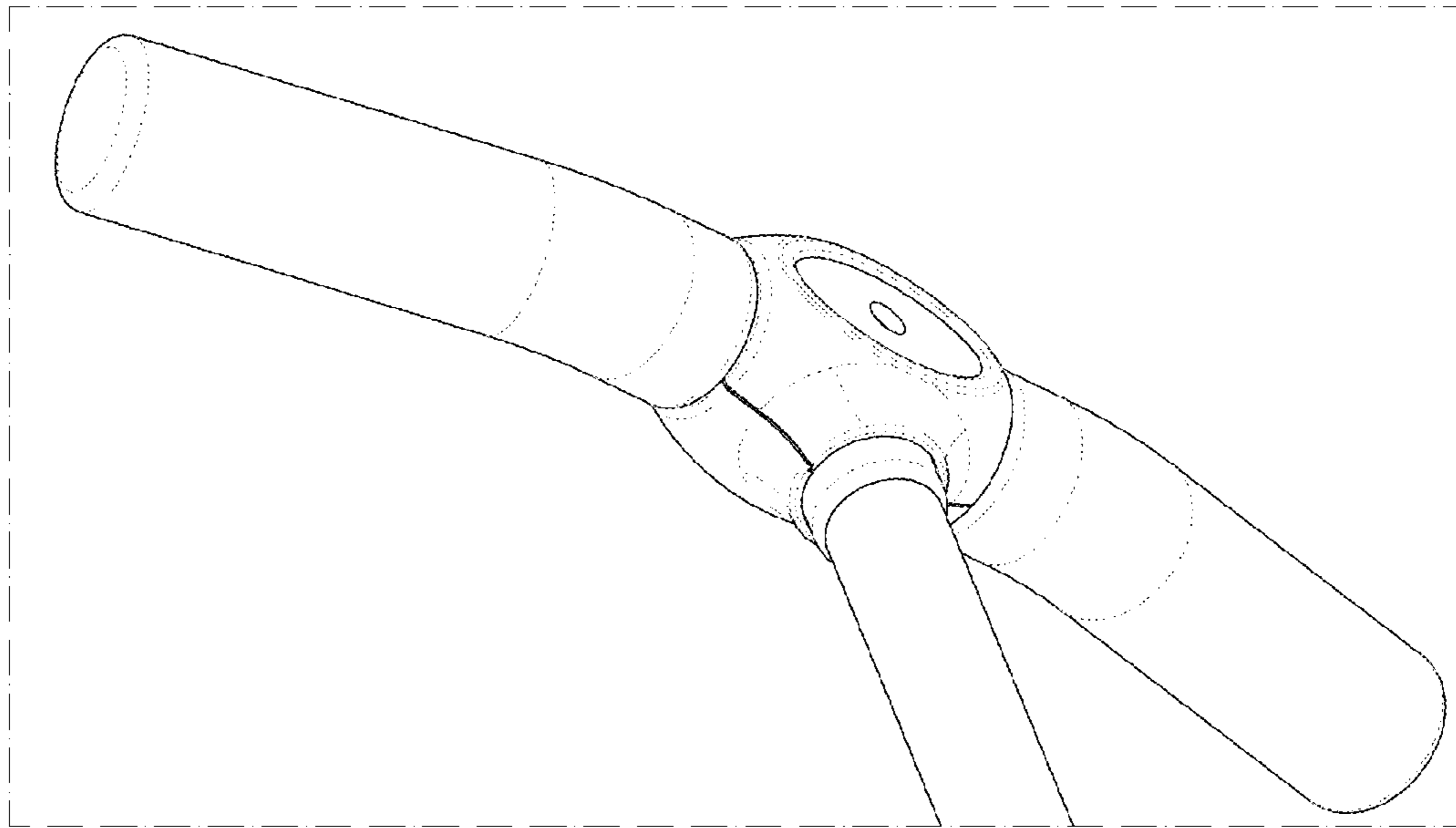
**FIG. 32**



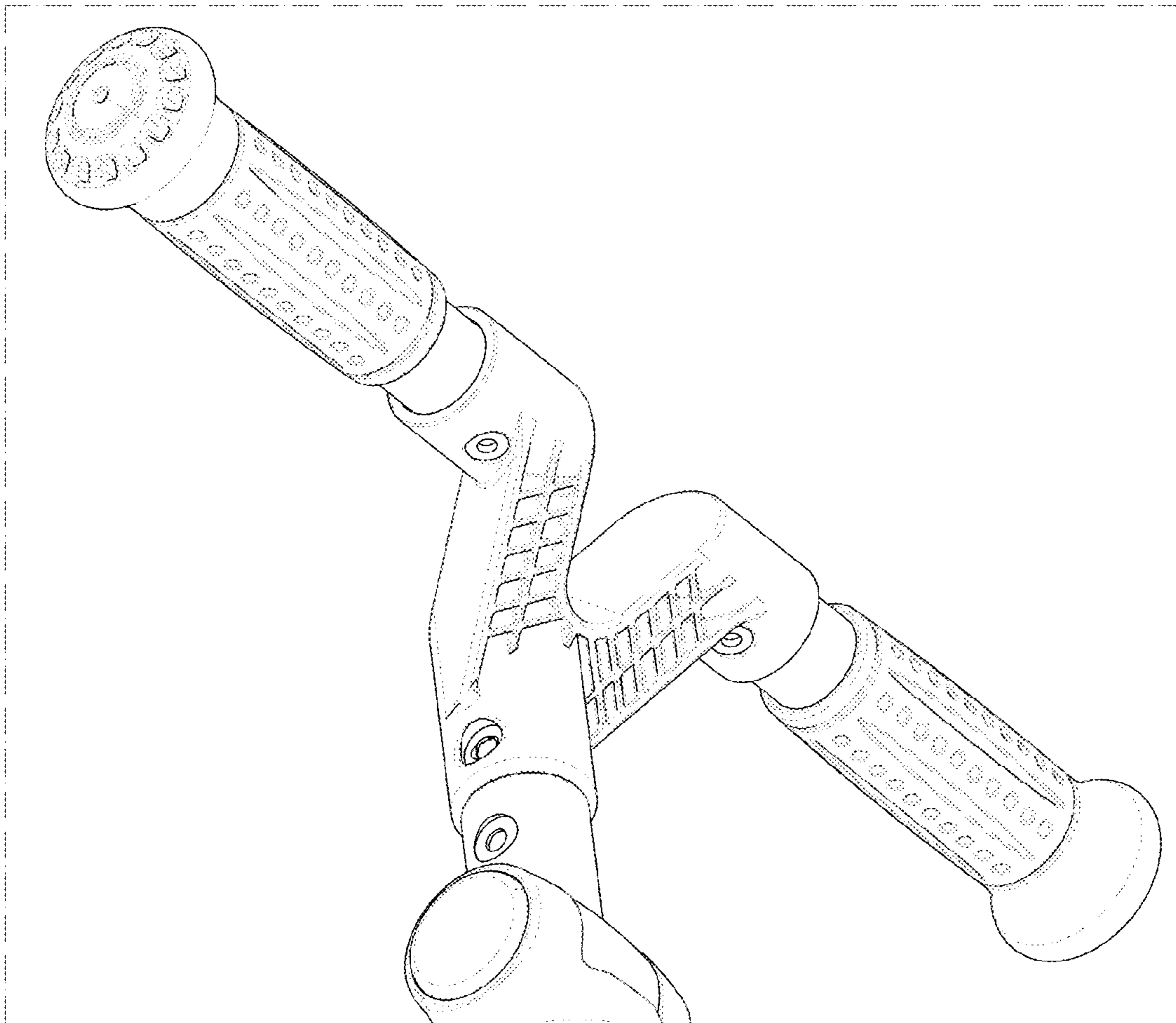
**FIG. 33**



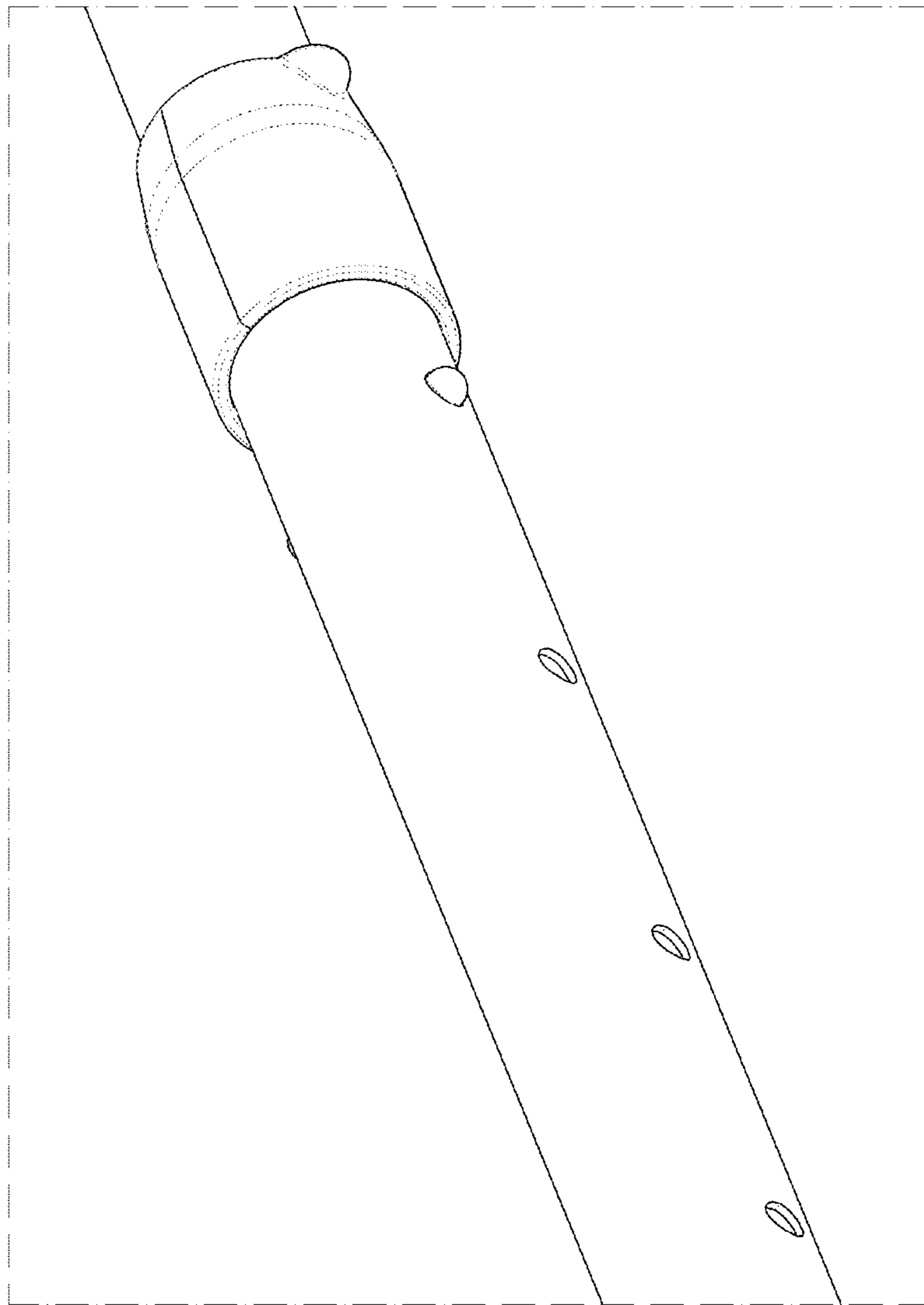
**FIG. 34**



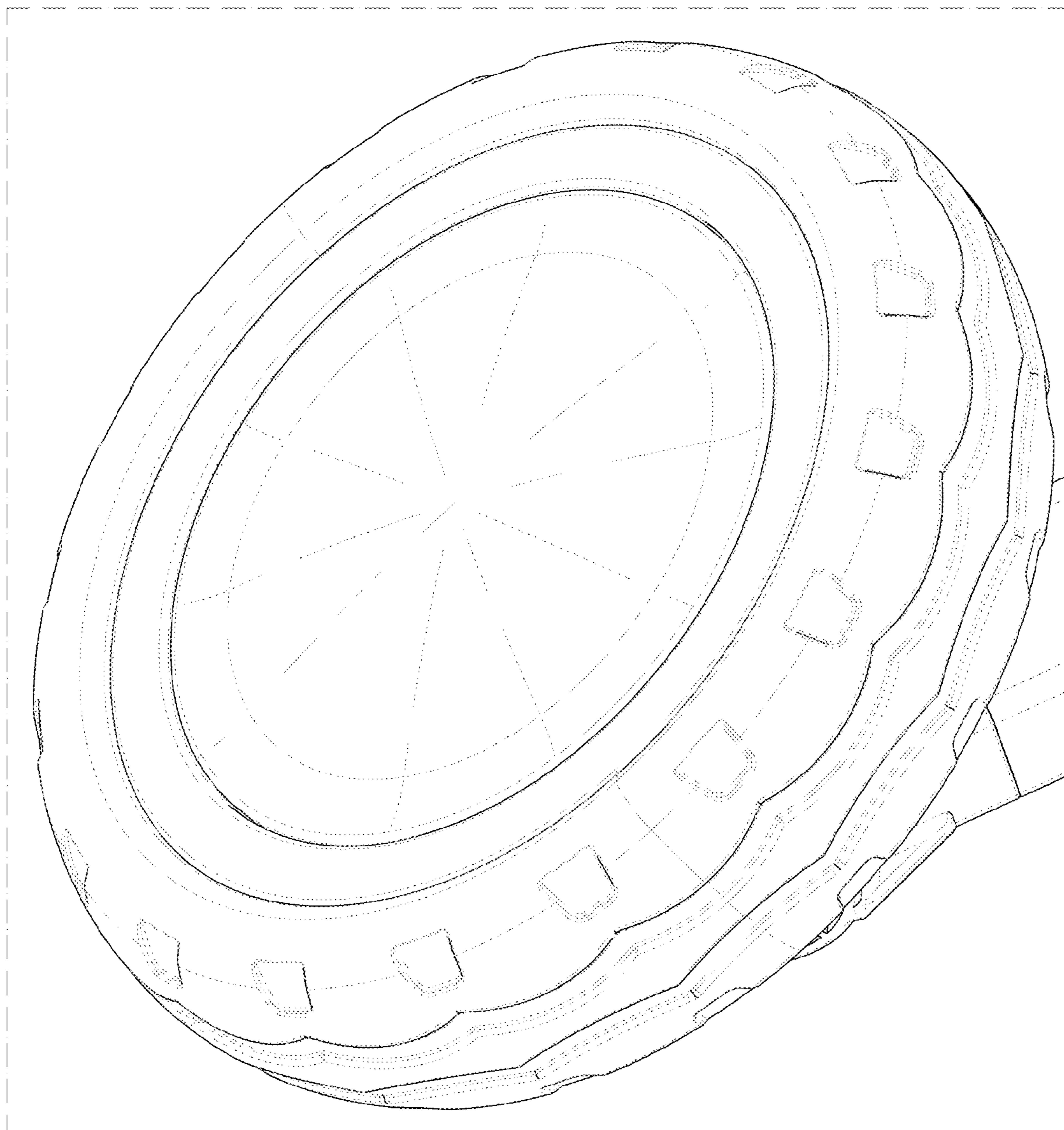
**FIG. 35**



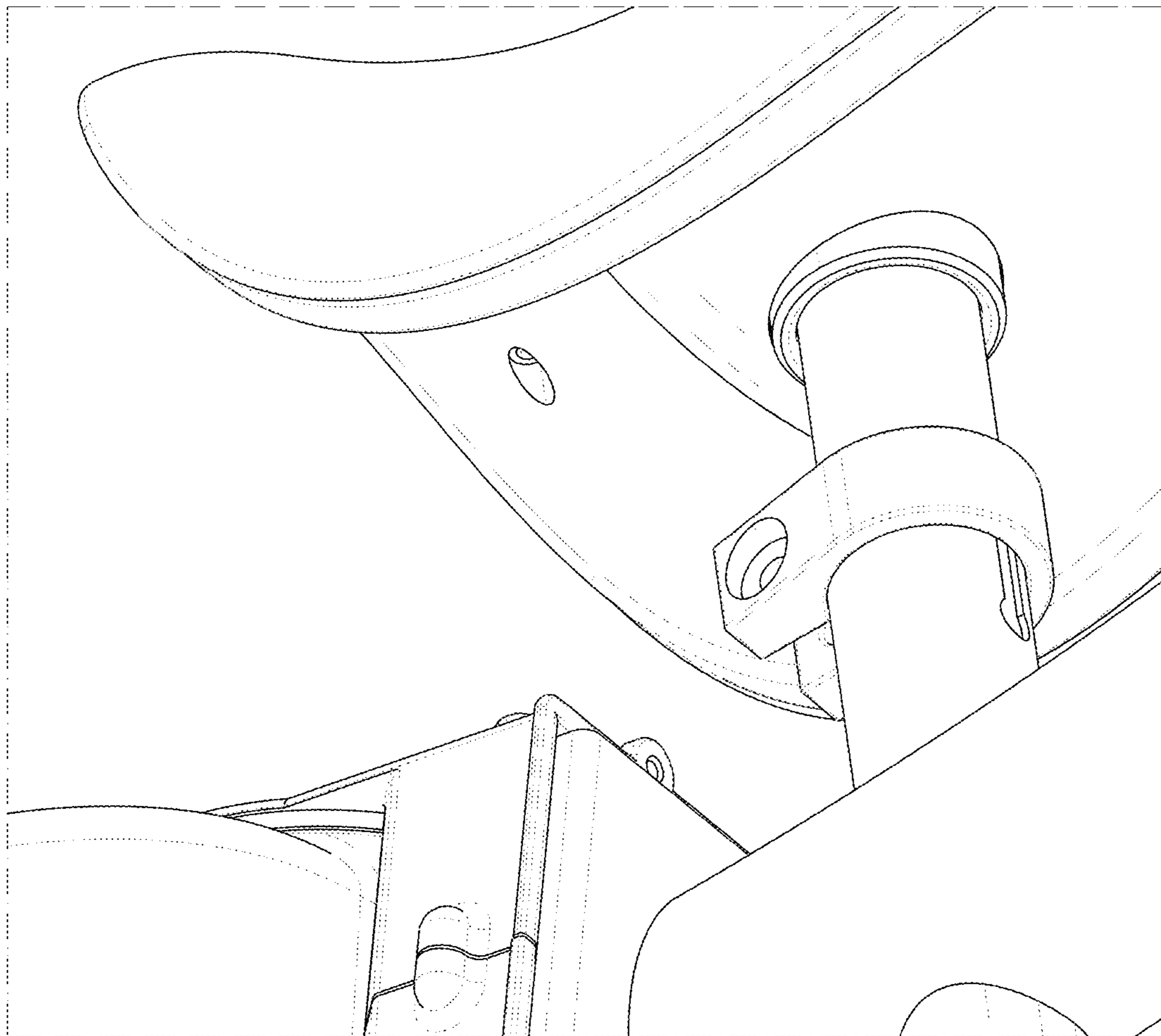
**FIG. 36**



**FIG. 37**

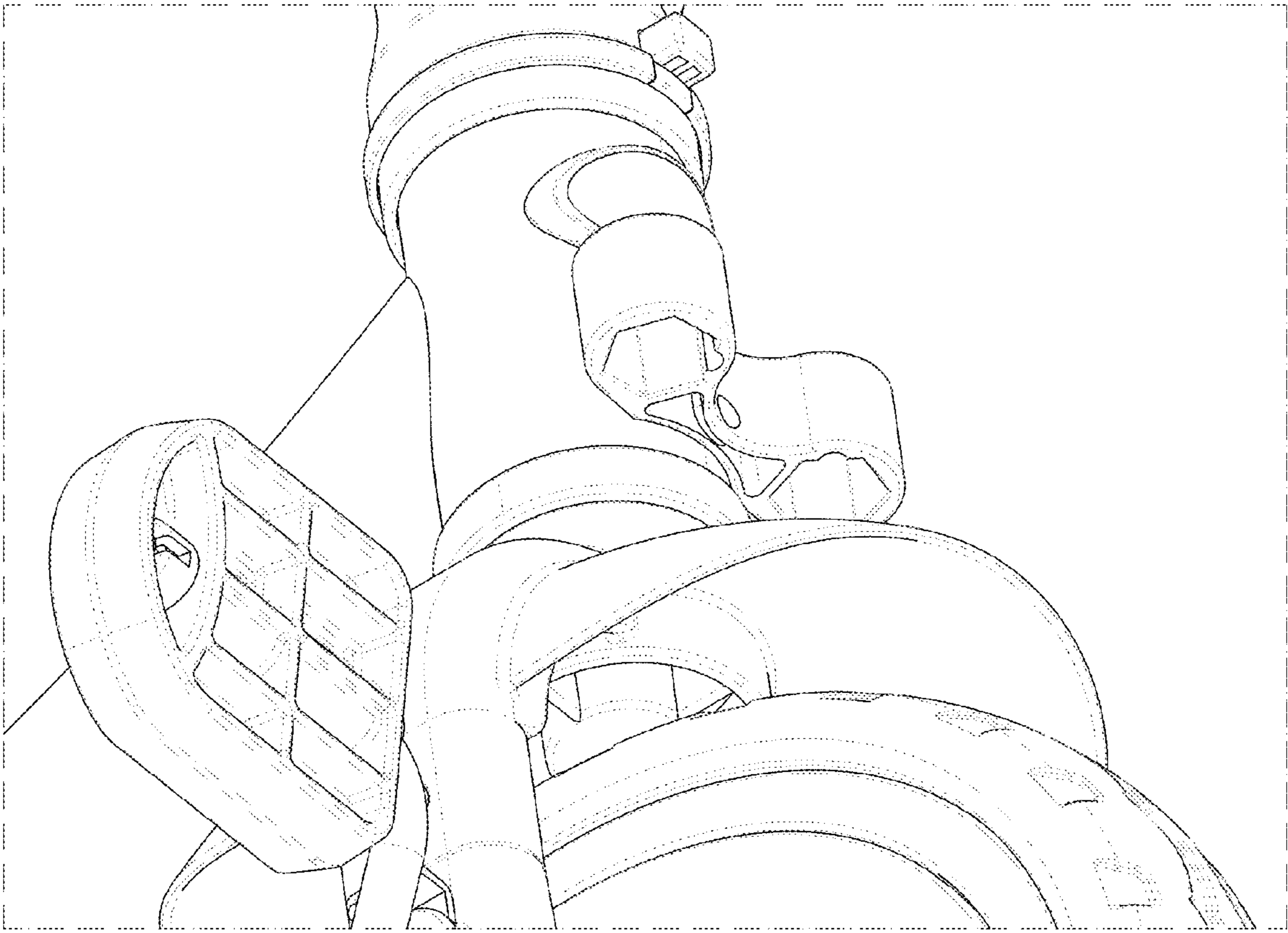


**FIG. 38**

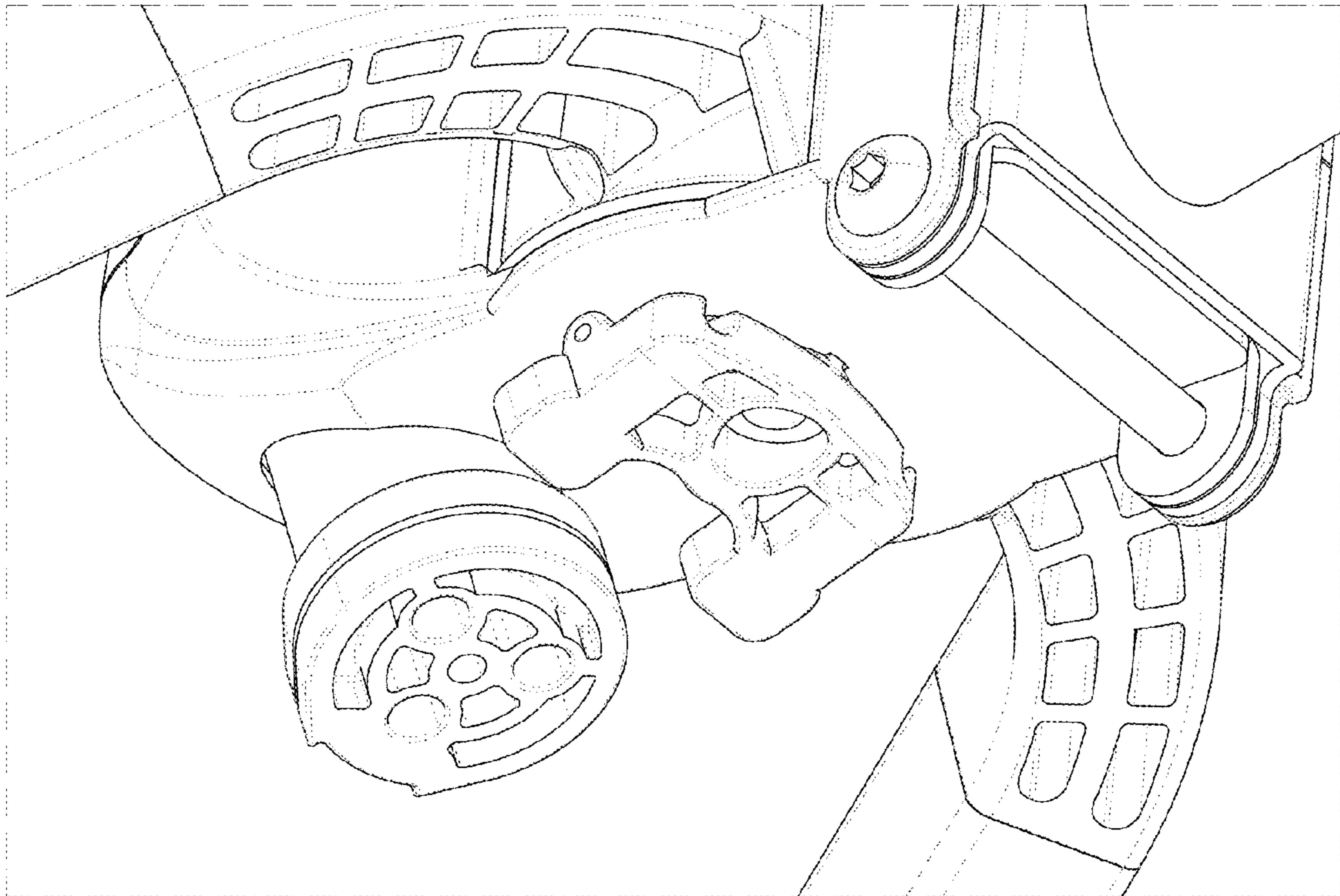


**FIG. 39**

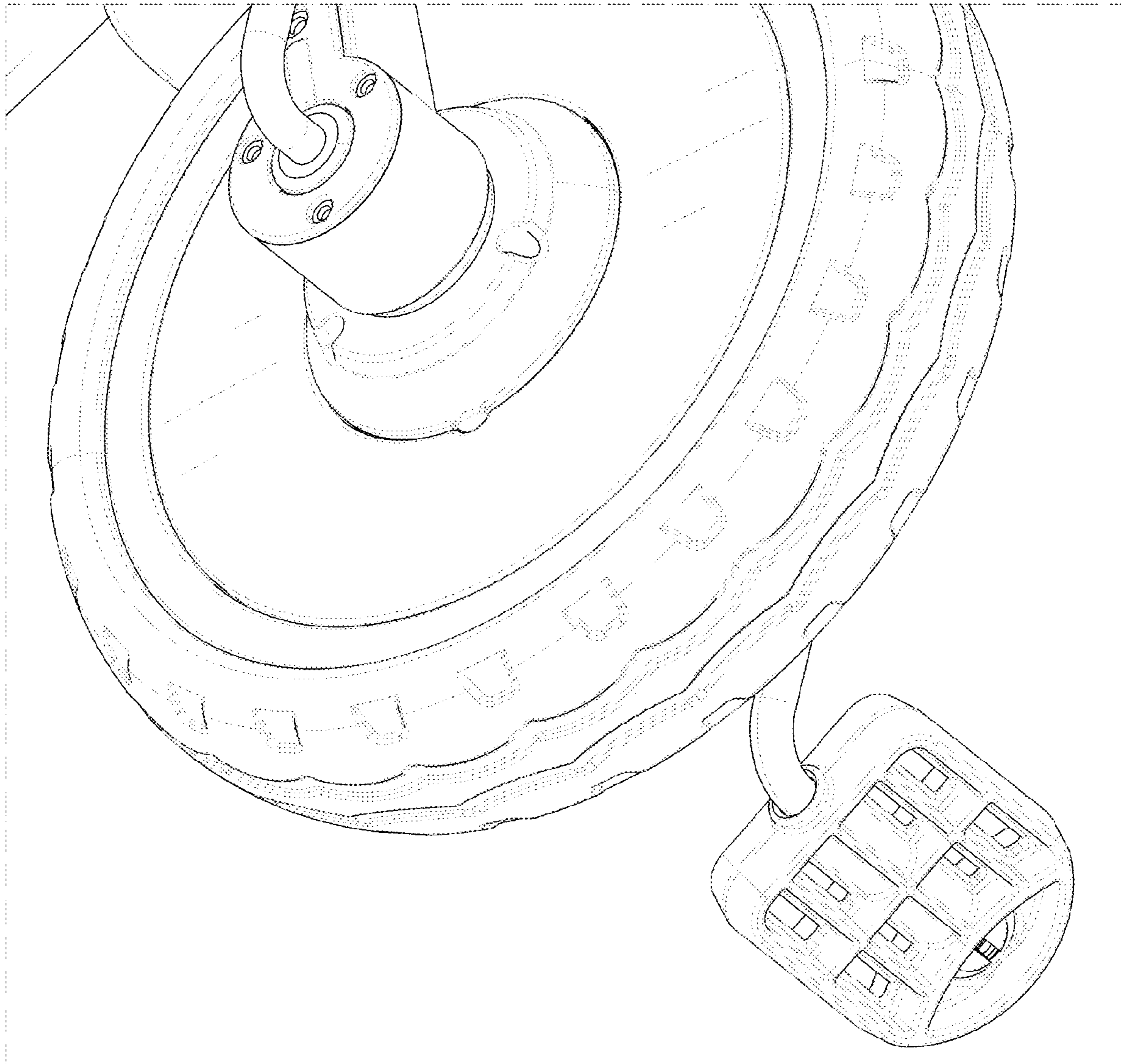




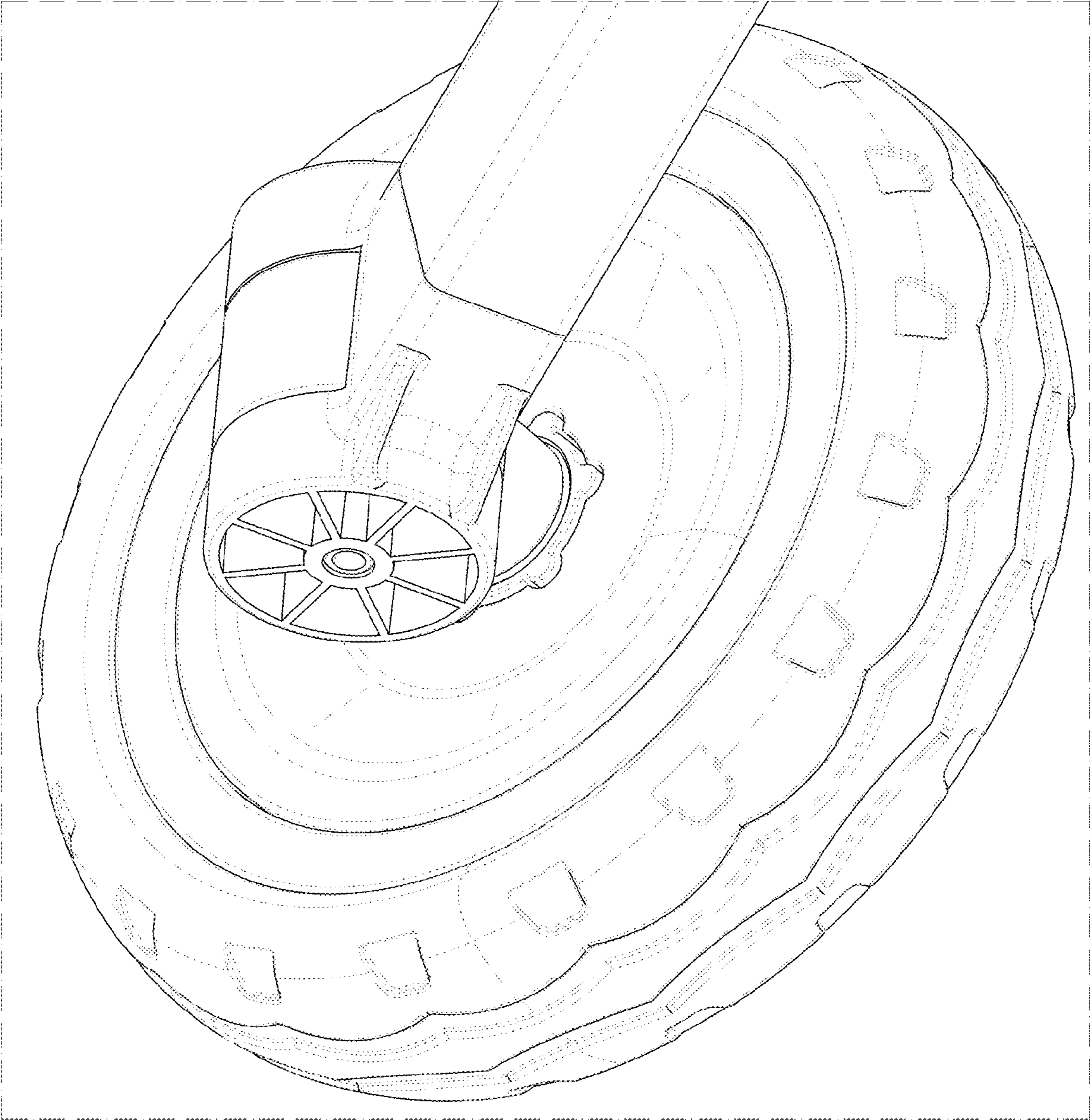
**FIG. 40**



**FIG. 41**



**FIG. 42**



**FIG. 43**