



US00D984324S

(12) **United States Design Patent**
Peng

(10) **Patent No.:** **US D984,324 S**

(45) **Date of Patent:** **** Apr. 25, 2023**

(54) **ELECTRIC BICYCLE**

(71) Applicant: **Guangzhou Zixinhao Electronic Trade Co., Ltd.**, Guangzhou (CN)

(72) Inventor: **Changsheng Peng**, Guangzhou (CN)

(**) Term: **15 Years**

(21) Appl. No.: **29/862,013**

(22) Filed: **Dec. 6, 2022**

(51) **LOC (14) Cl.** **12-03**

(52) **U.S. Cl.**
USPC **D12/111**

(58) **Field of Classification Search**
USPC D12/110, 111, 7; D21/412, 414, 419,
D21/423, 424, 425, 426, 427, 428, 431,
D21/432, 433, 434, 435
See application file for complete search history.

(56) **References Cited**

U.S. PATENT DOCUMENTS

D727,214 S *	4/2015	Yang	D12/111
D727,215 S *	4/2015	Yang	D12/111
D756,264 S *	5/2016	Thompson	D12/111
D797,609 S *	9/2017	Gonzalez-Gancedo Carrillo-Albornoz	D12/111
D807,233 S *	1/2018	Zhang	D12/111
D833,333 S *	11/2018	Yu	D12/111
D890,633 S *	7/2020	Zhou	D12/111
D898,625 S *	10/2020	Lin	D12/111
D915,244 S *	4/2021	Chen	D12/111
D924,732 S *	7/2021	Lin	D12/111
D925,404 S *	7/2021	Lin	D12/111
D925,405 S *	7/2021	Lin	D12/111
D944,690 S *	3/2022	Hsu	12/111
D945,934 S	3/2022	Ischep		
D948,383 S	4/2022	Hu et al.		

D953,936 S	6/2022	Zhu et al.		
D960,052 S *	8/2022	Chen	D12/111
D964,219 S *	9/2022	Xie	D12/111
D971,084 S *	11/2022	Peng	D12/111
D975,599 S *	1/2023	Gray	D12/111
2014/0209400 A1 *	7/2014	Yao	B62M 6/45 180/167

* cited by examiner

Primary Examiner — Khawaja Anwar

(74) *Attorney, Agent, or Firm* — Rumit Ranjit Kanakia

(57) **CLAIM**

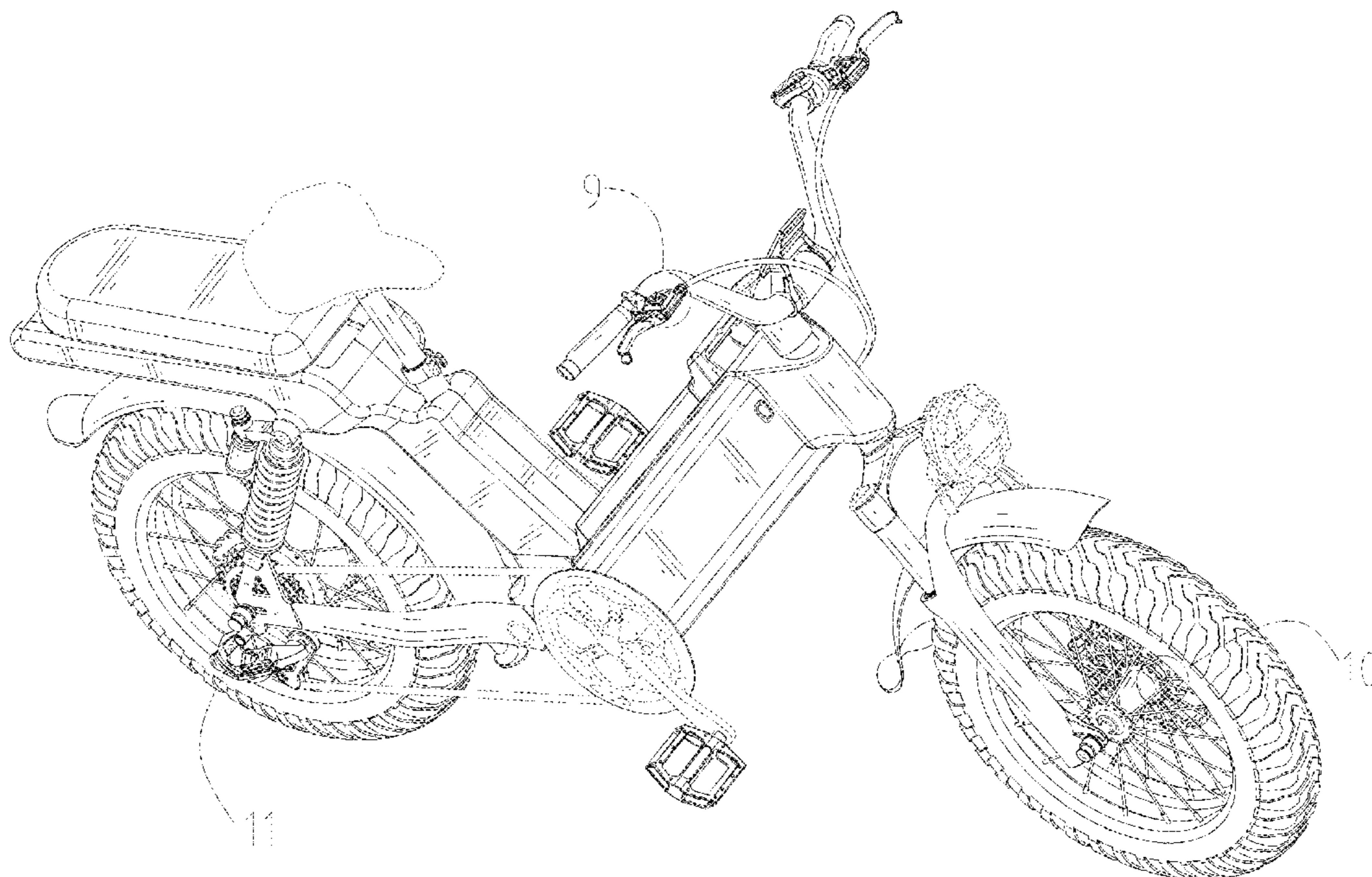
The ornamental design for an electric bicycle, as shown and described.

DESCRIPTION

FIG. 1 is a first perspective view of an electric bicycle showing my new design;
 FIG. 2 is a second perspective view thereof;
 FIG. 3 is a front view thereof;
 FIG. 4 is a back view thereof;
 FIG. 5 is a left side view thereof;
 FIG. 6 is a right side view thereof;
 FIG. 7 is a top view thereof;
 FIG. 8 is a bottom view thereof;
 FIG. 9 is an enlarged view of the selected portion 9 in FIG. 1;
 FIG. 10 is an enlarged view of the selected portion 10 in FIG. 1; and,
 FIG. 11 is an enlarged view of the selected portion 11 in FIG. 1.

The broken lines shown in the drawings depict portions of the electric bicycle that form no part of the claimed design.

1 Claim, 11 Drawing Sheets



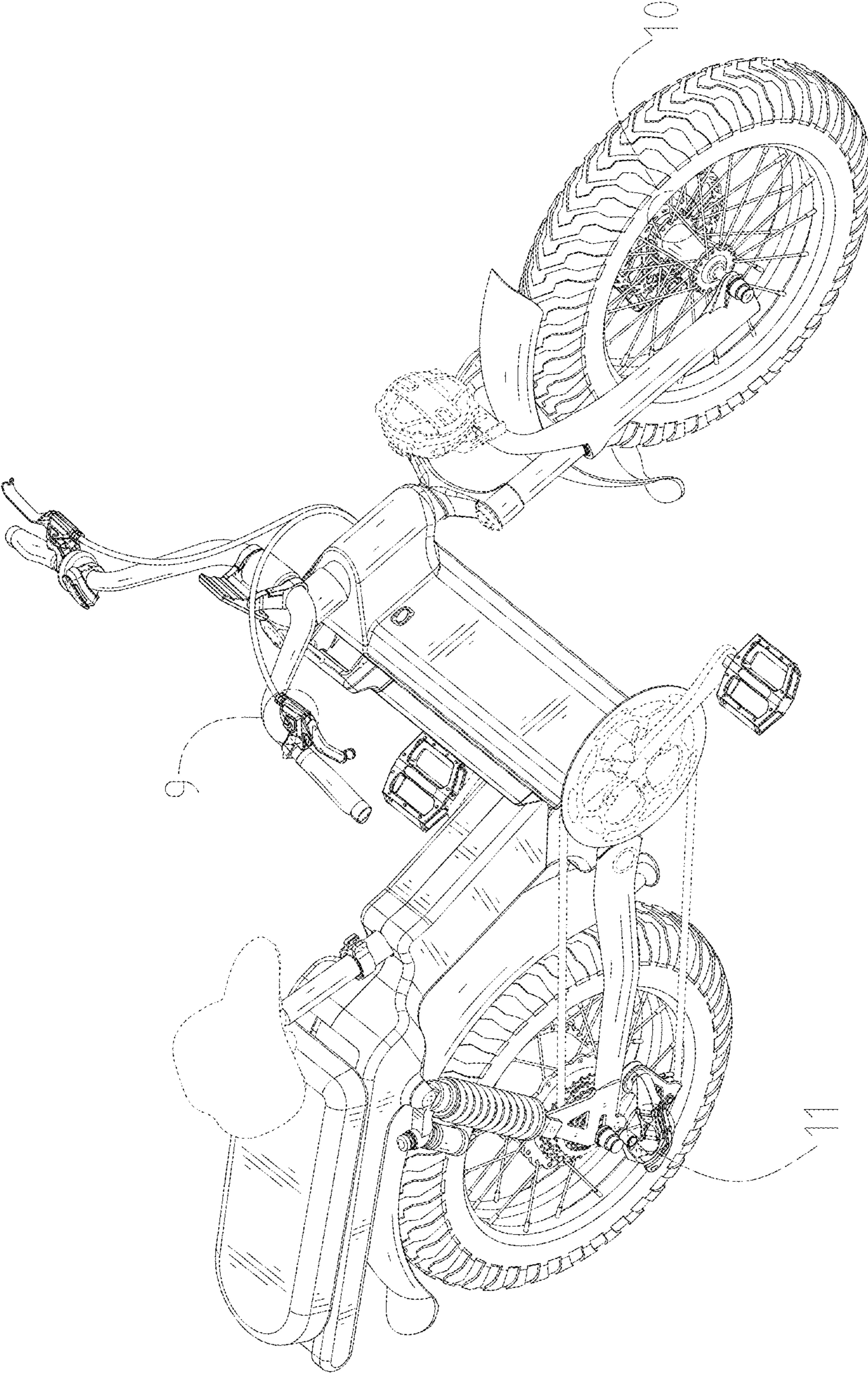


FIG. 1

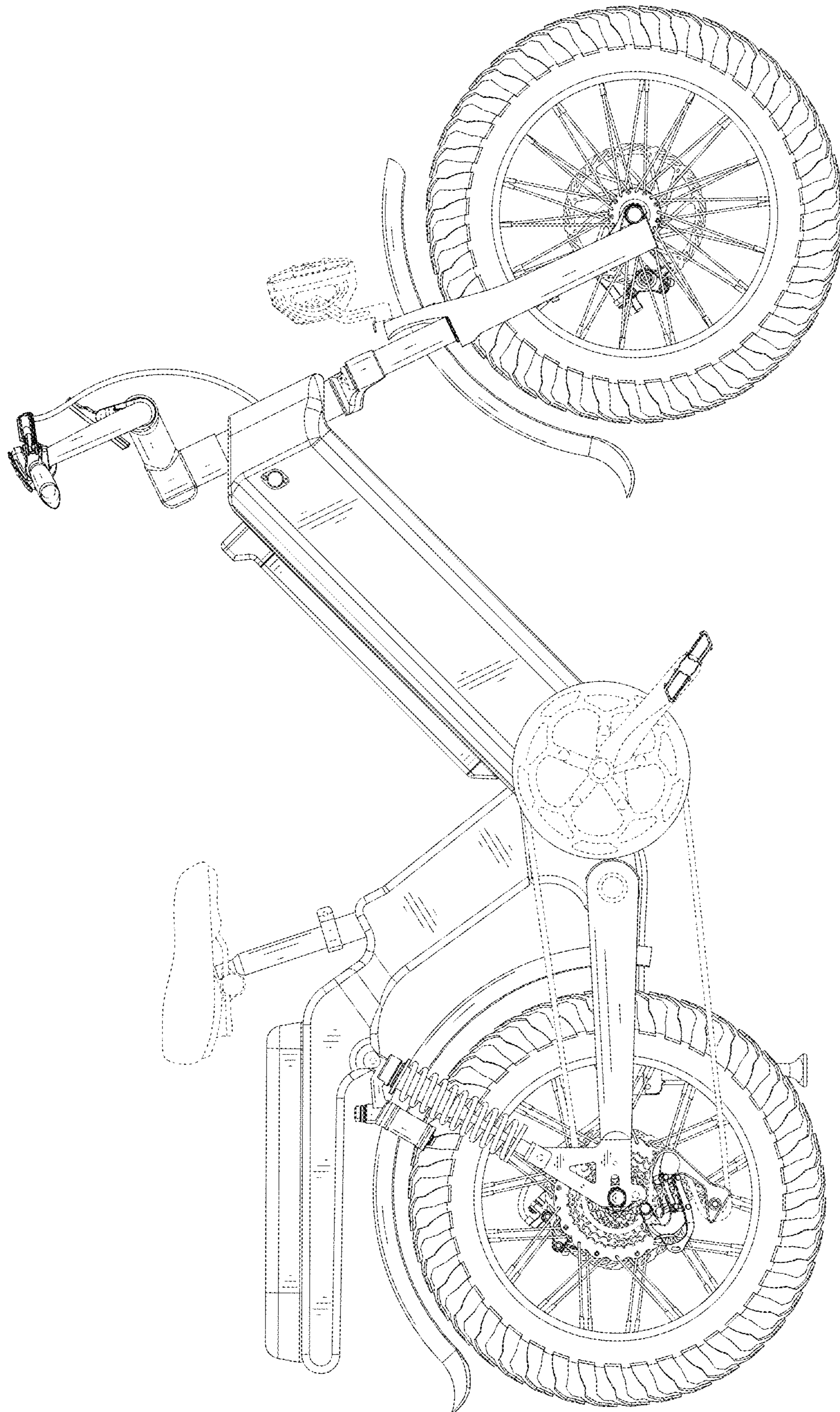


FIG. 3

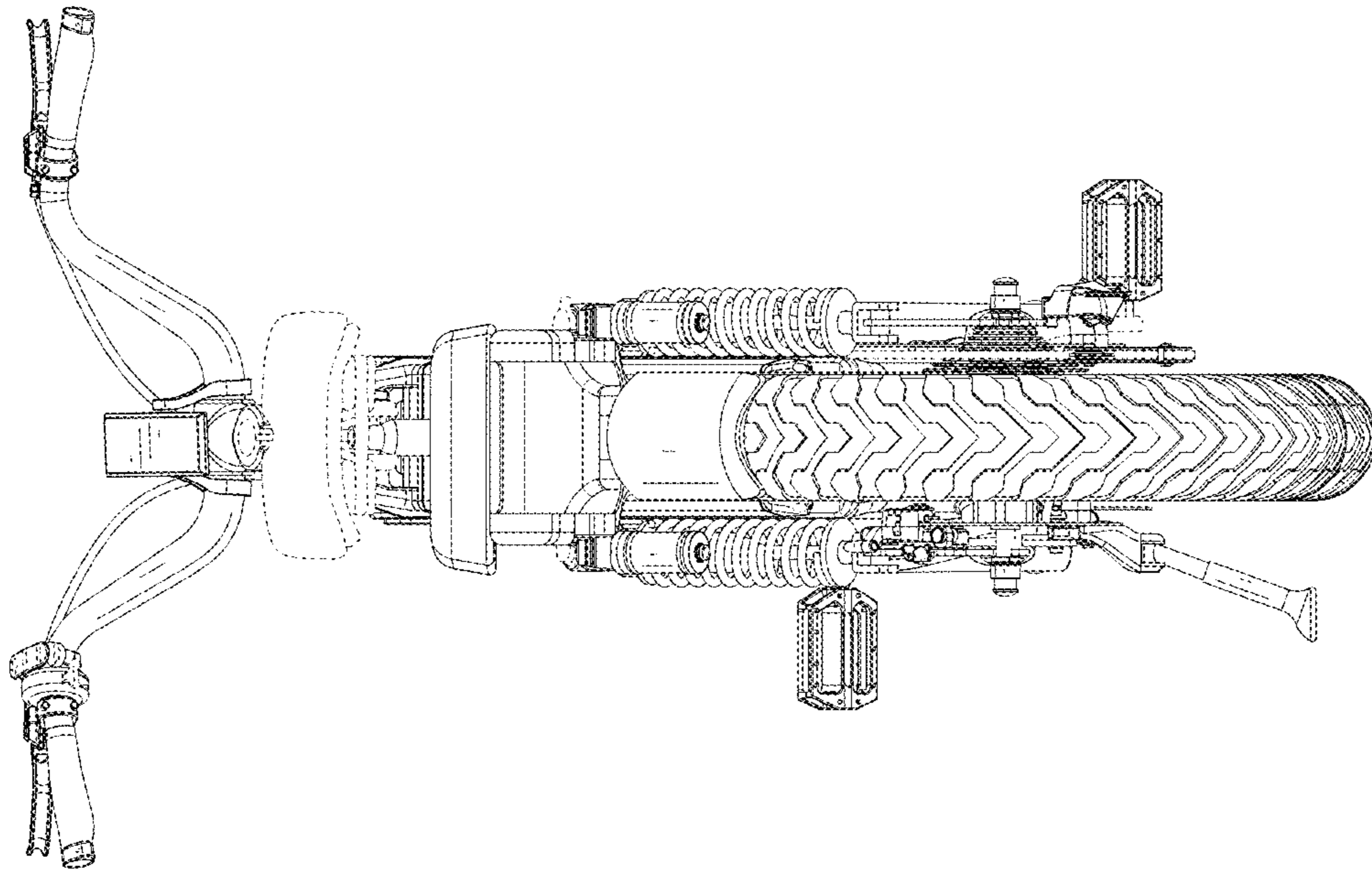


FIG. 5

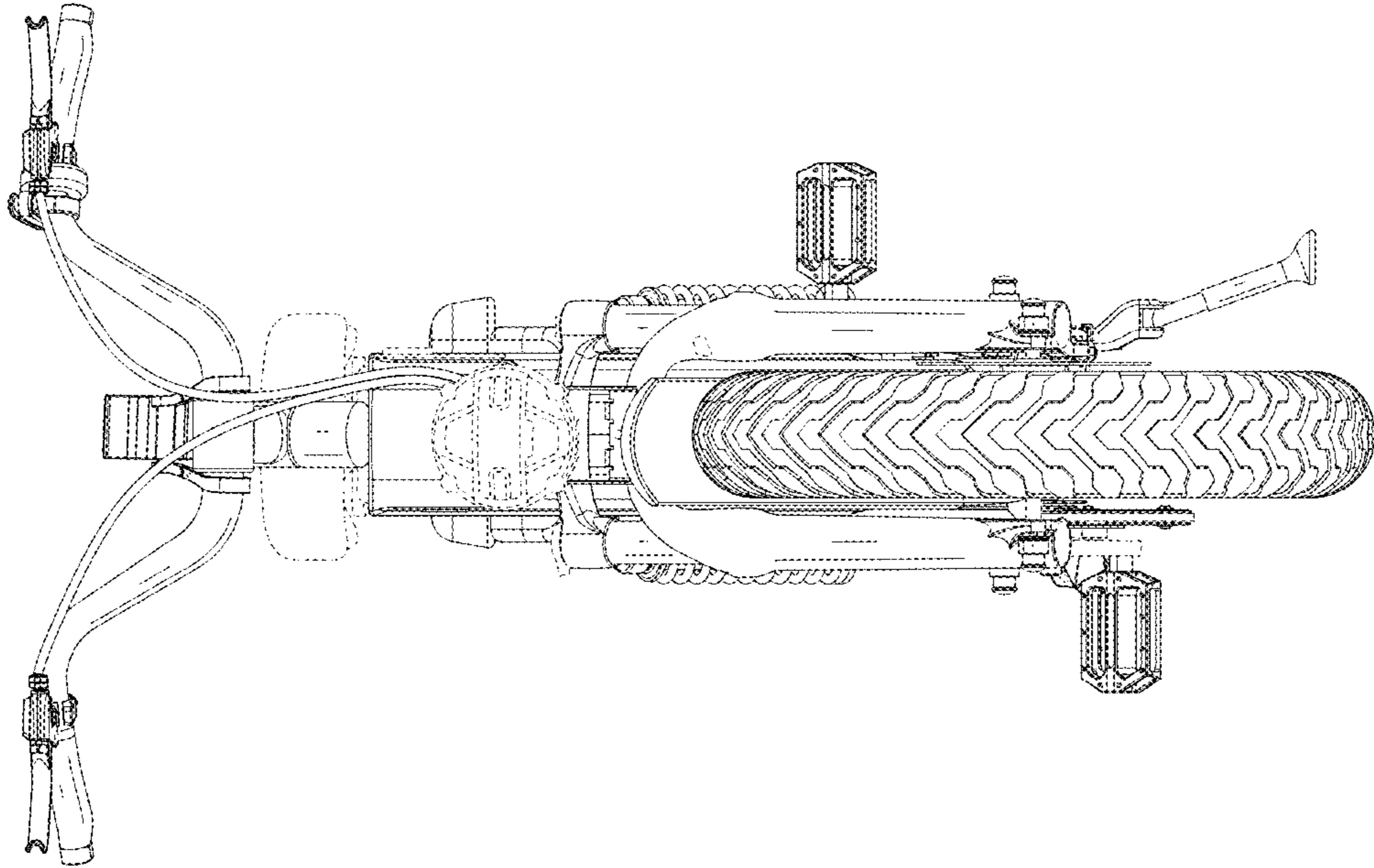


FIG. 6

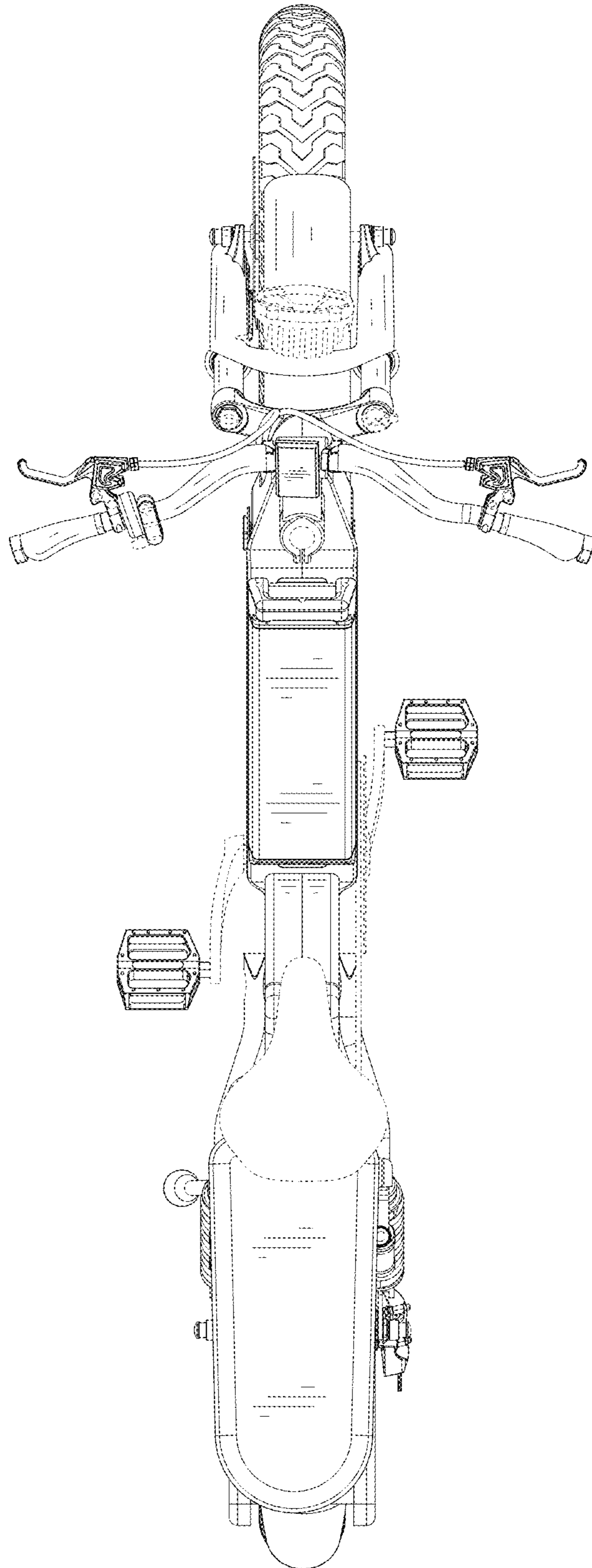


FIG. 7

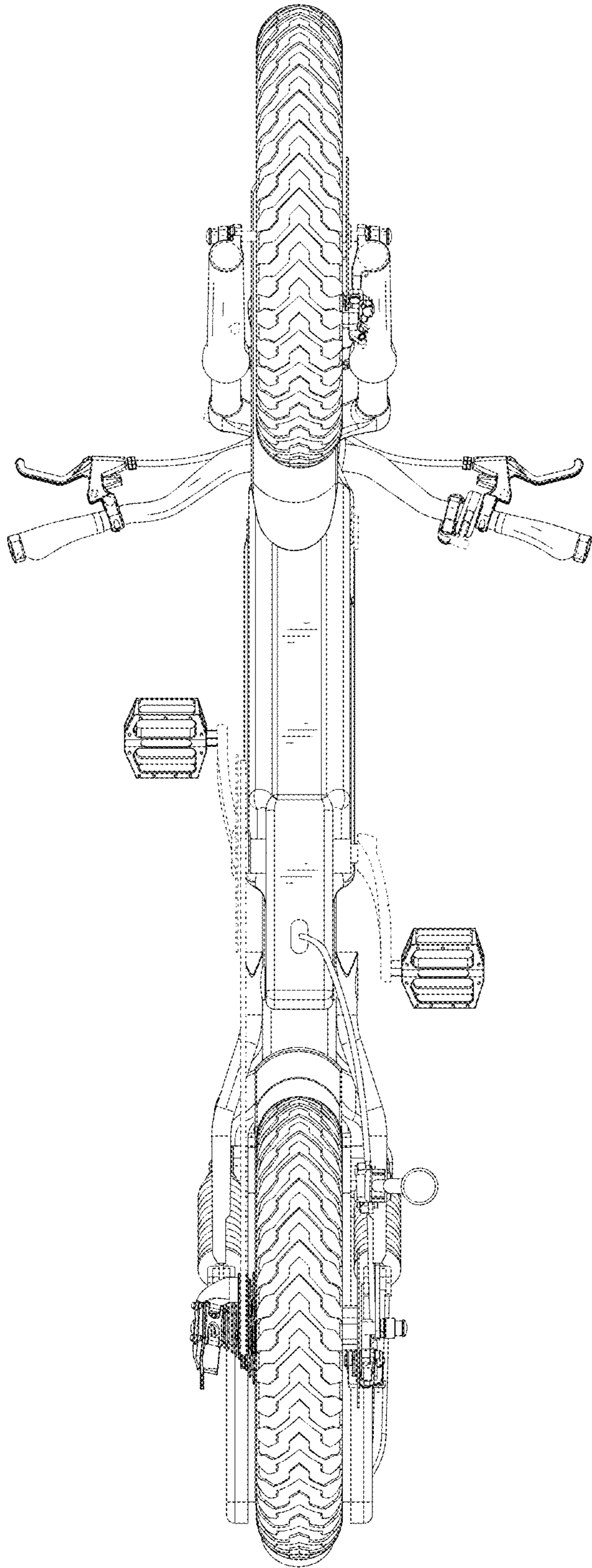


FIG. 8

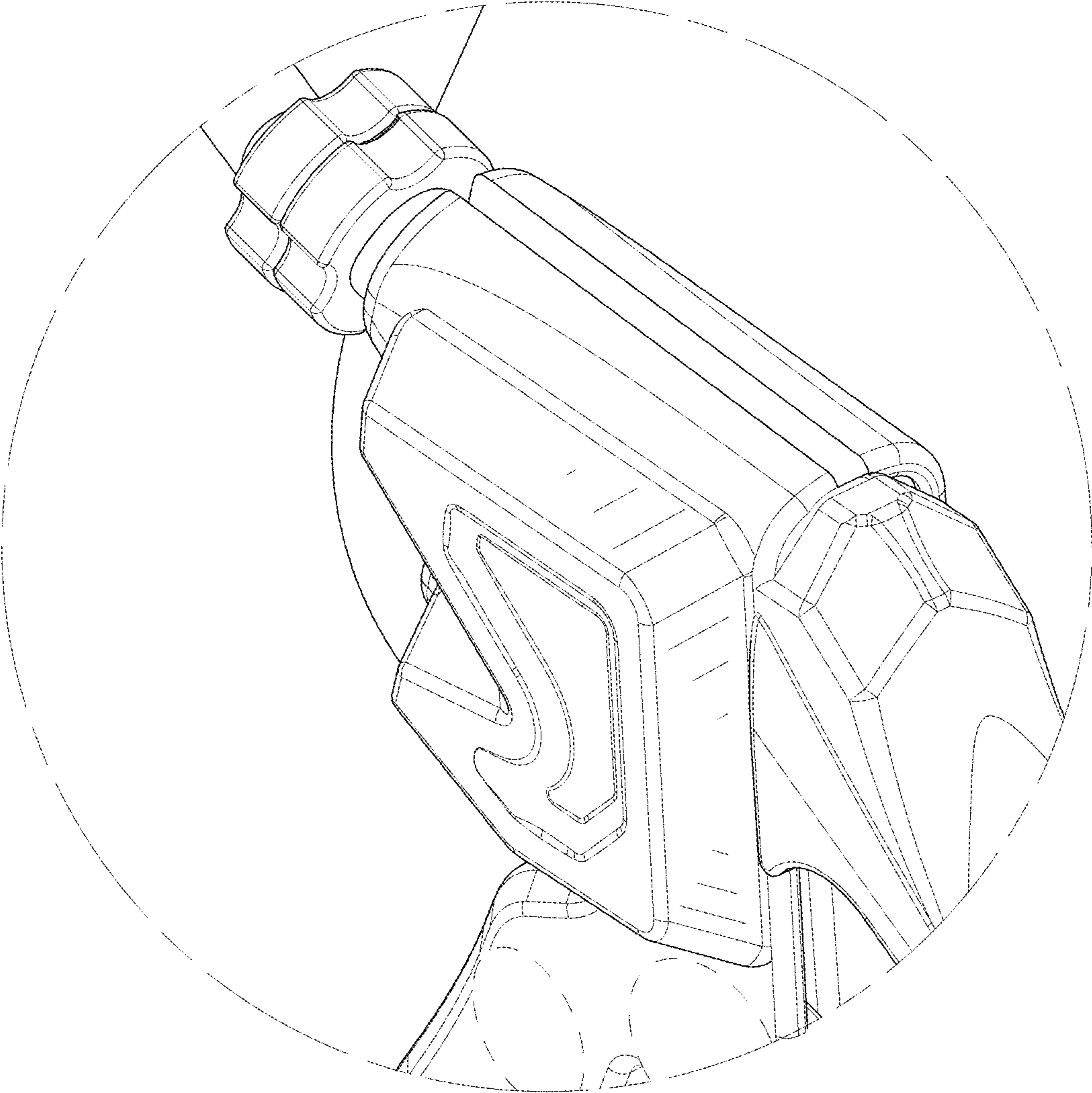


FIG. 9

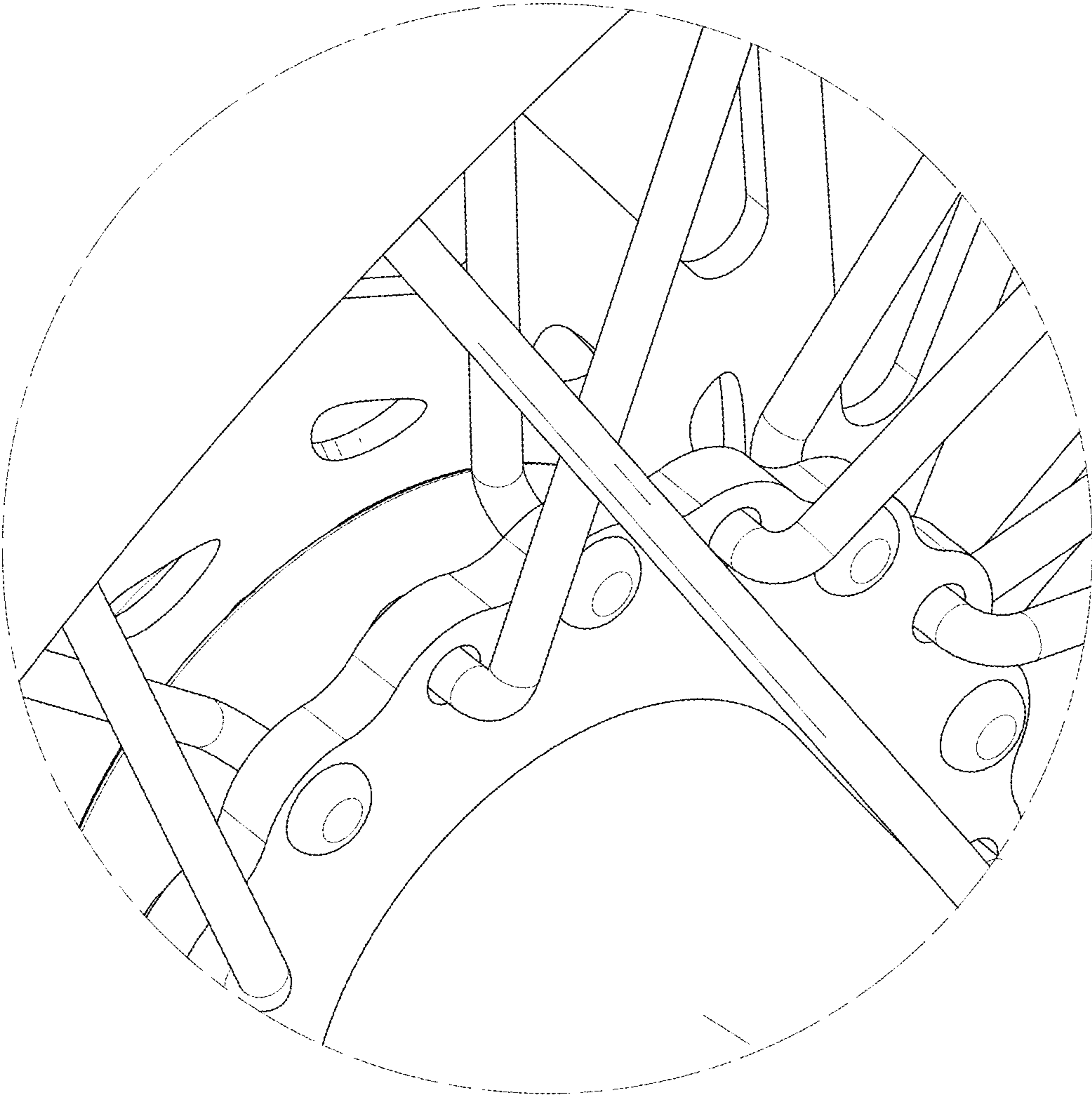


FIG. 10

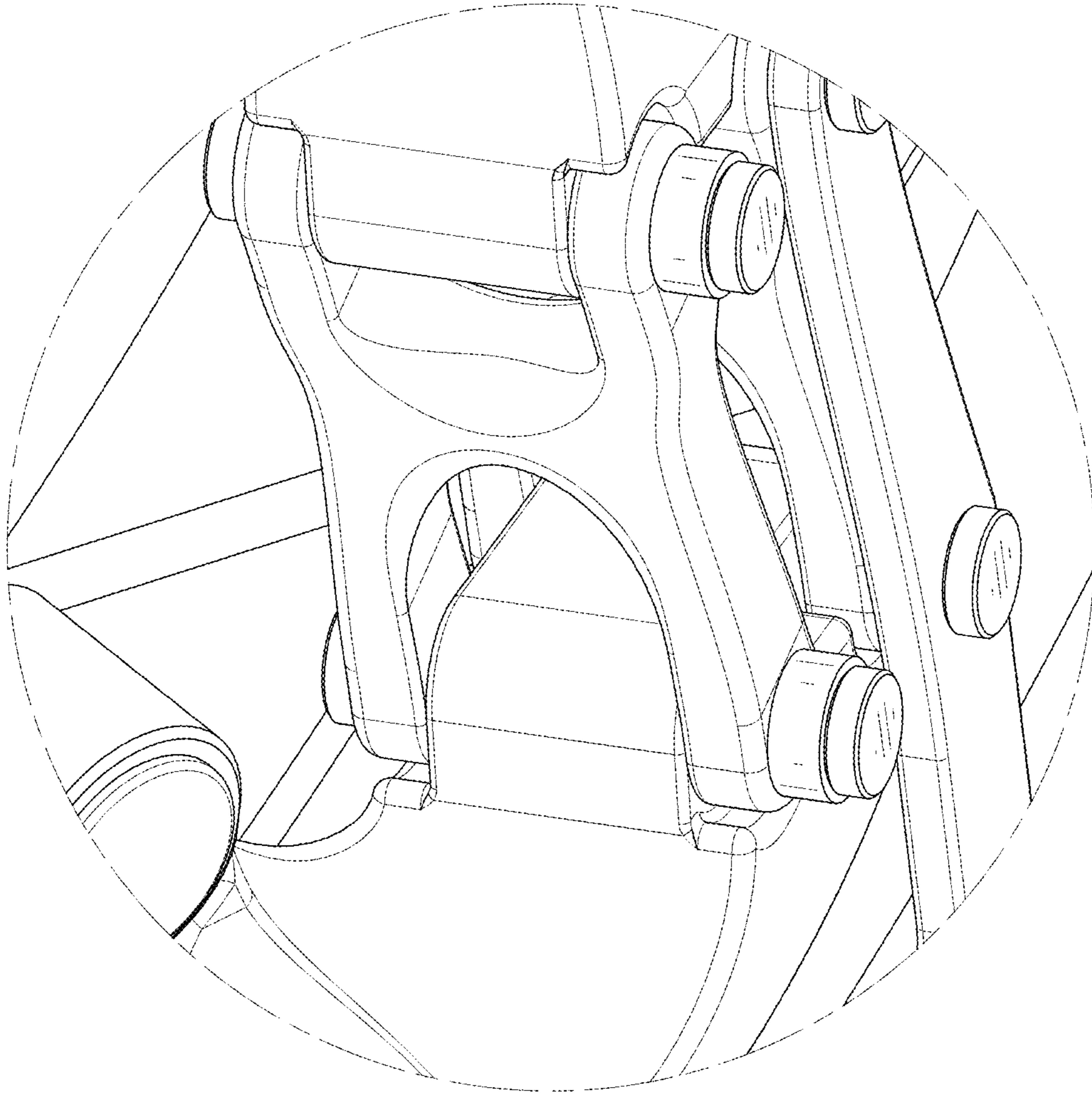


FIG. 11