



US00D984323S

(12) **United States Design Patent**
Peng

(10) **Patent No.:** **US D984,323 S**

(45) **Date of Patent:** **** Apr. 25, 2023**

- (54) **ELECTRIC BICYCLE**
- (71) Applicant: **Guangzhou Zixinhao Electronic Trade Co., Ltd.**, Guangzhou (CN)
- (72) Inventor: **Changsheng Peng**, Guangzhou (CN)
- (**) Term: **15 Years**
- (21) Appl. No.: **29/862,012**
- (22) Filed: **Dec. 6, 2022**
- (51) **LOC (14) Cl.** **12-03**
- (52) **U.S. Cl.**
USPC **D12/111**
- (58) **Field of Classification Search**
USPC D12/110, 111; D21/412, 414, 419, 423,
D21/424, 425, 426, 427, 428, 431, 432,
D21/433, 434, 435
See application file for complete search history.

| | | | |
|-------------------|---------|------------|----------------------|
| D953,936 S | 6/2022 | Zhu et al. | |
| D960,052 S * | 8/2022 | Chen | D12/111 |
| D964,219 S * | 9/2022 | Xie | D12/111 |
| D971,084 S * | 11/2022 | Peng | D12/111 |
| D975,599 S * | 1/2023 | Gray | D12/111 |
| 2014/0209400 A1 * | 7/2014 | Yao | B62M 6/45 180/167 |

* cited by examiner

Primary Examiner — Khawaja Anwar

(74) *Attorney, Agent, or Firm* — Rumit Ranjit Kanakia

(57) **CLAIM**

The ornamental design for an electric bicycle, as shown and described.

DESCRIPTION

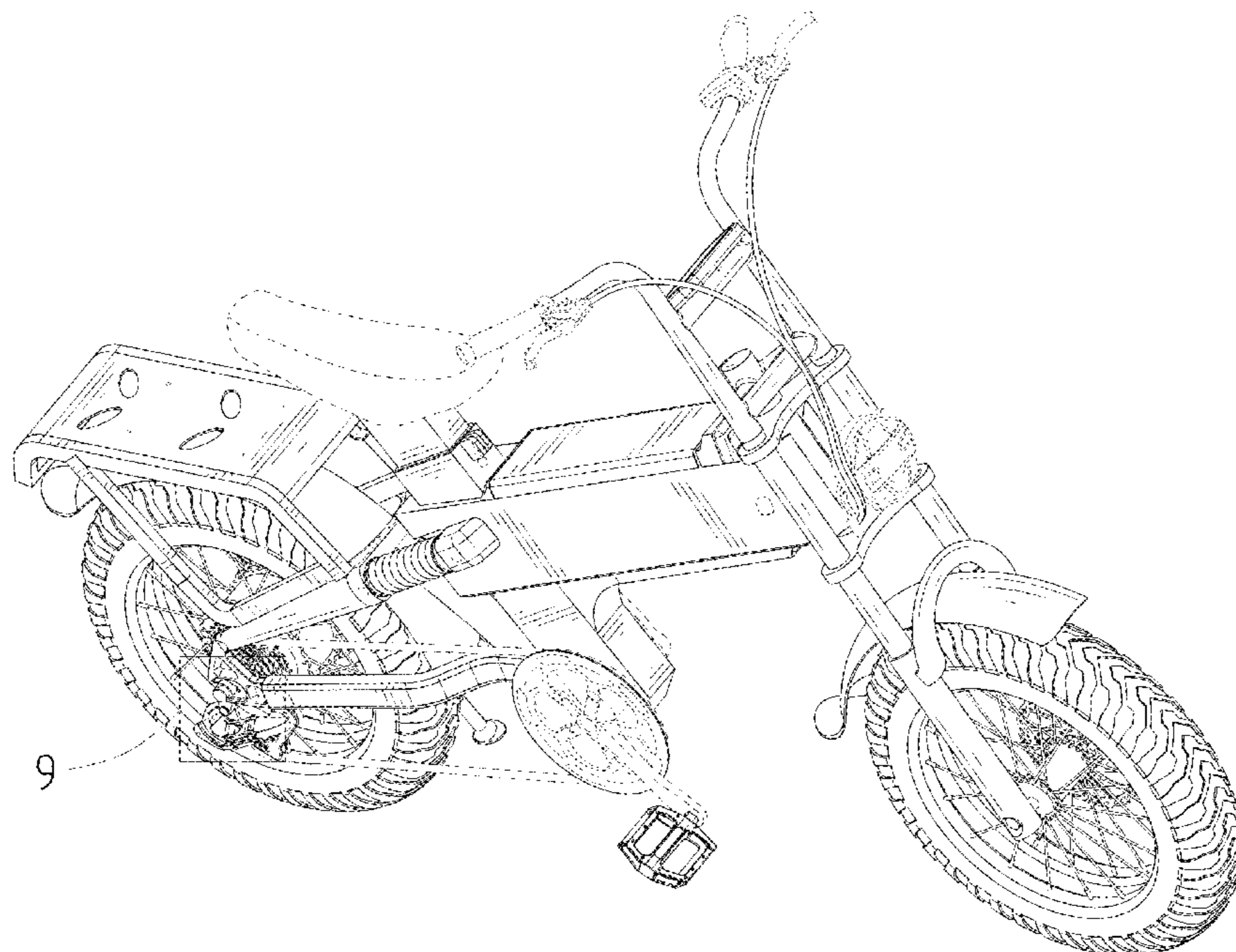
FIG. 1 is a first perspective view of an electric bicycle showing my new design;
 FIG. 2 is a second perspective view thereof;
 FIG. 3 is a front view thereof;
 FIG. 4 is a back view thereof;
 FIG. 5 is a left side view thereof;
 FIG. 6 is a right side view thereof;
 FIG. 7 is a top view thereof;
 FIG. 8 is a bottom view thereof;
 FIG. 9 is an enlarged view of the selected portion 9 in FIG. 1;
 FIG. 10 is an enlarged view of the selected portion 10 in FIG. 2; and,
 FIG. 11 is an enlarged view of the selected portion 11 in FIG. 2.
 The broken lines shown in the drawings depict portions of the electric bicycle that form no part of the claimed design.

(56) **References Cited**

U.S. PATENT DOCUMENTS

| | | | |
|--------------|---------|--|---------|
| D727,214 S * | 4/2015 | Yang | D12/111 |
| D727,215 S * | 4/2015 | Yang | D12/111 |
| D756,264 S * | 5/2016 | Thompson | D12/111 |
| D797,609 S * | 9/2017 | Gonzalez-Gancedo Carrillo-Albornoz | D12/111 |
| D807,233 S * | 1/2018 | Zhang | D12/111 |
| D833,333 S * | 11/2018 | Yu | D12/111 |
| D890,633 S * | 7/2020 | Zhou | D12/111 |
| D898,625 S * | 10/2020 | Lin | D12/111 |
| D915,244 S * | 4/2021 | Chen | D12/111 |
| D924,732 S * | 7/2021 | Lin | D12/111 |
| D925,404 S * | 7/2021 | Lin | D12/111 |
| D925,405 S * | 7/2021 | Lin | D12/111 |
| D944,690 S * | 3/2022 | Hsu | 12/111 |
| D945,934 S | 3/2022 | Ischep | |
| D948,383 S | 4/2022 | Hu et al. | |

1 Claim, 11 Drawing Sheets



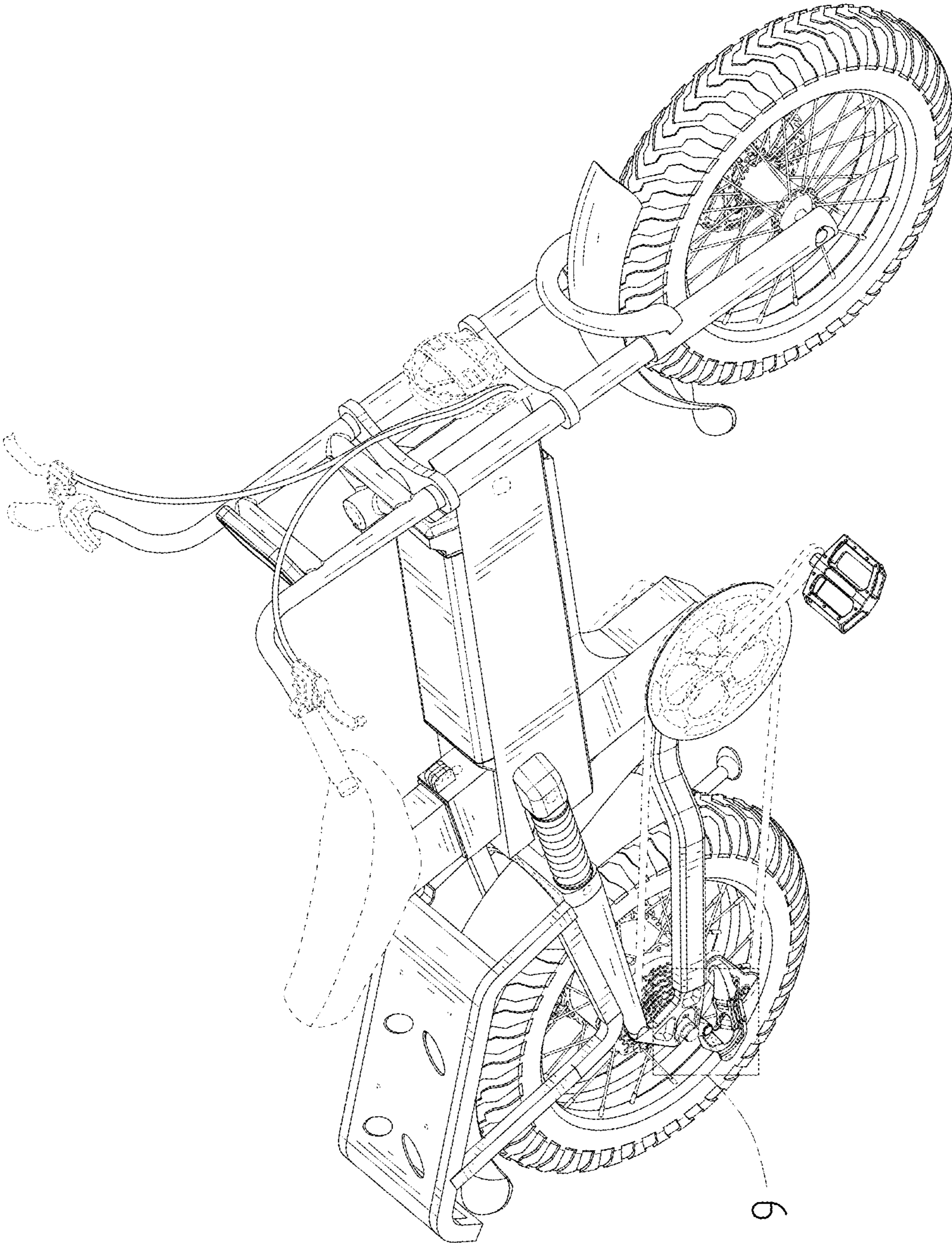


FIG. 1

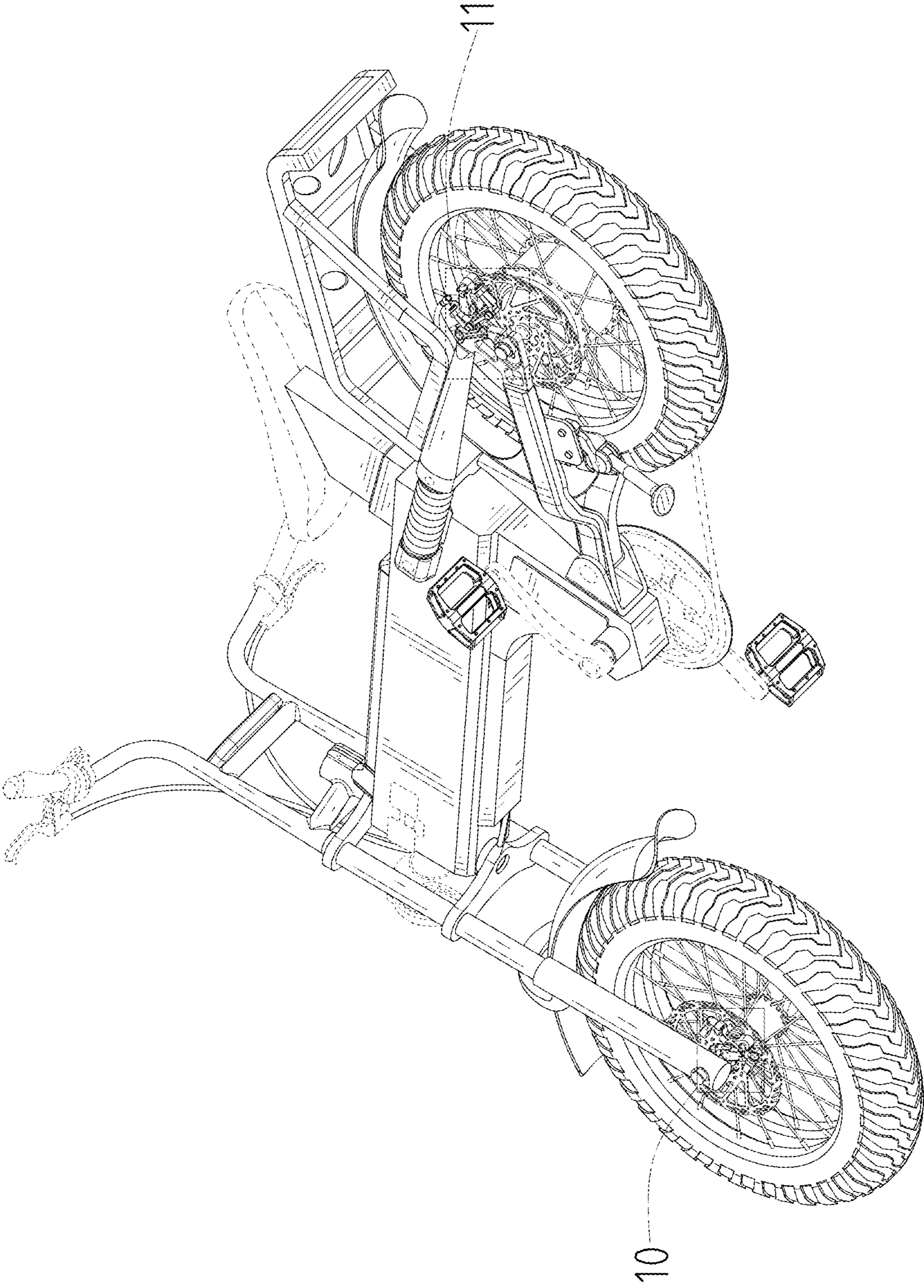


FIG. 2

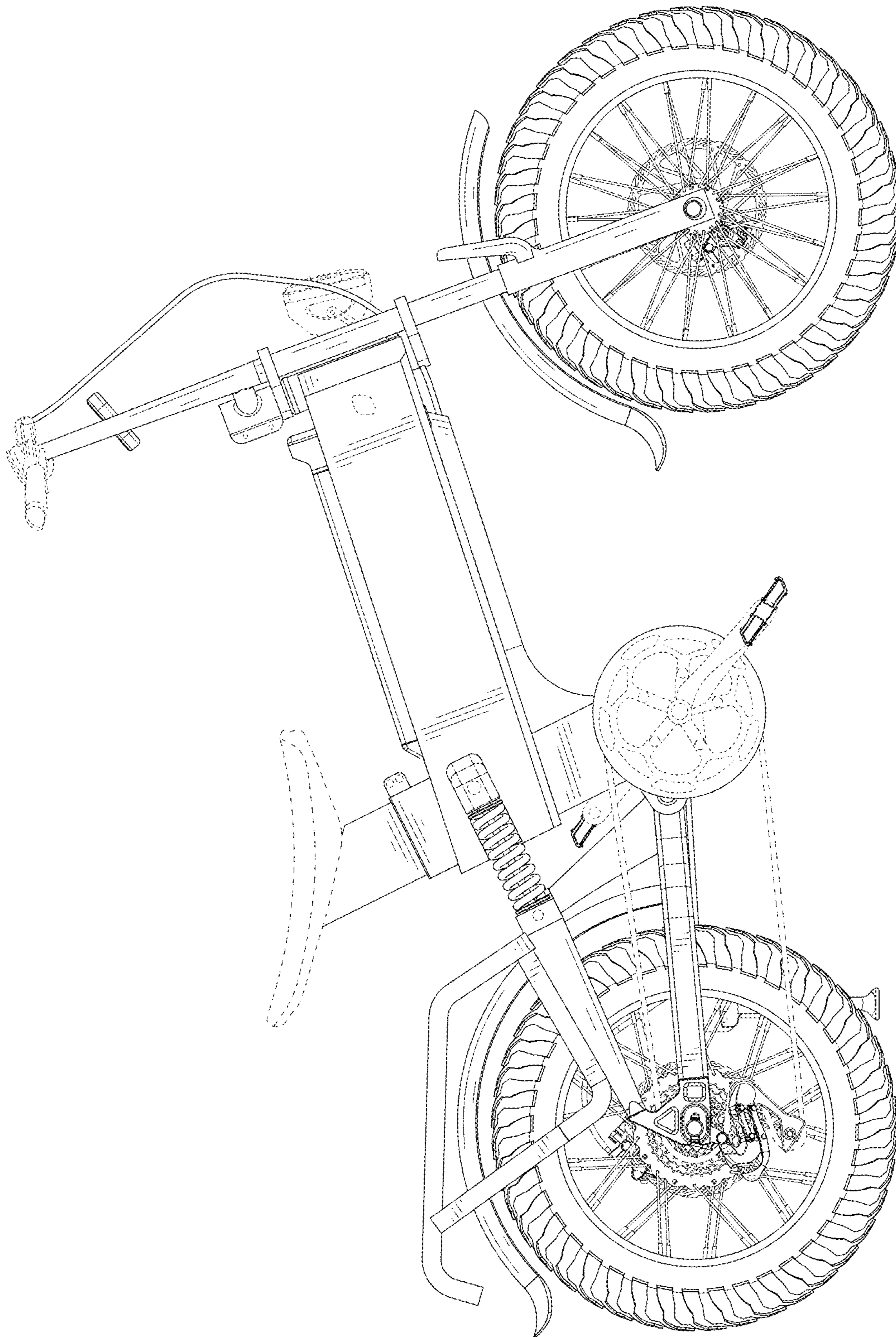


FIG. 3

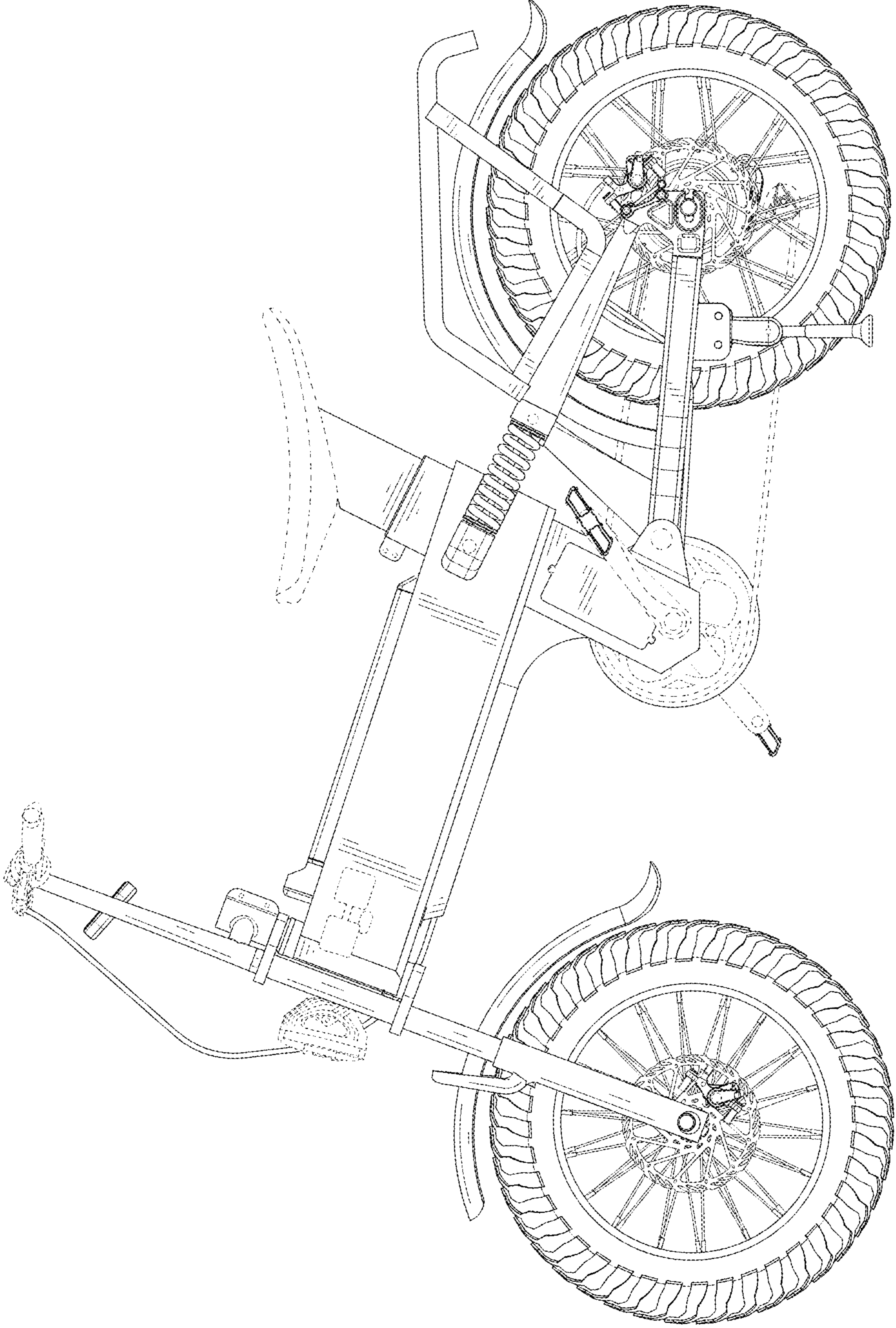


FIG. 4

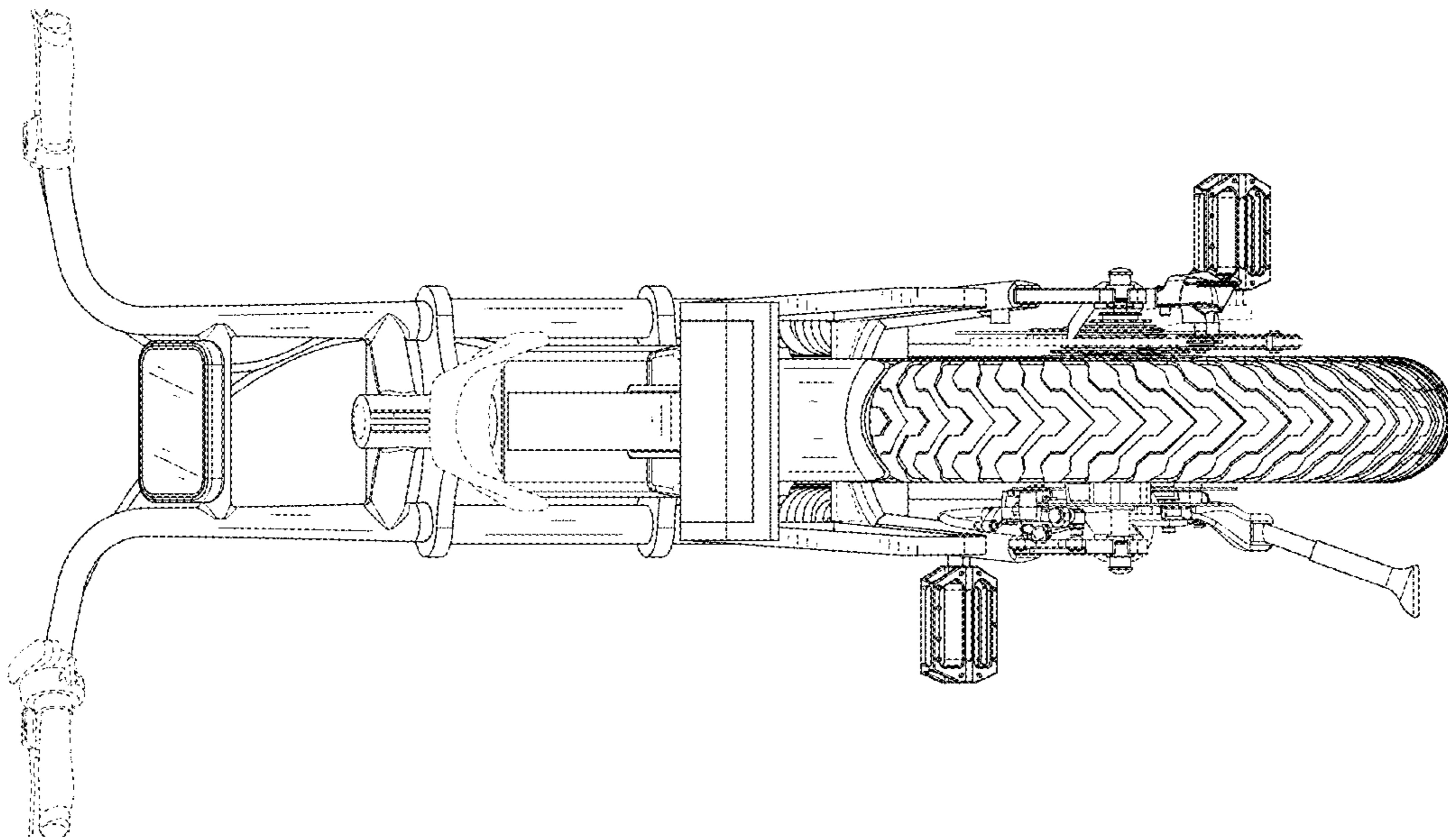


FIG. 5

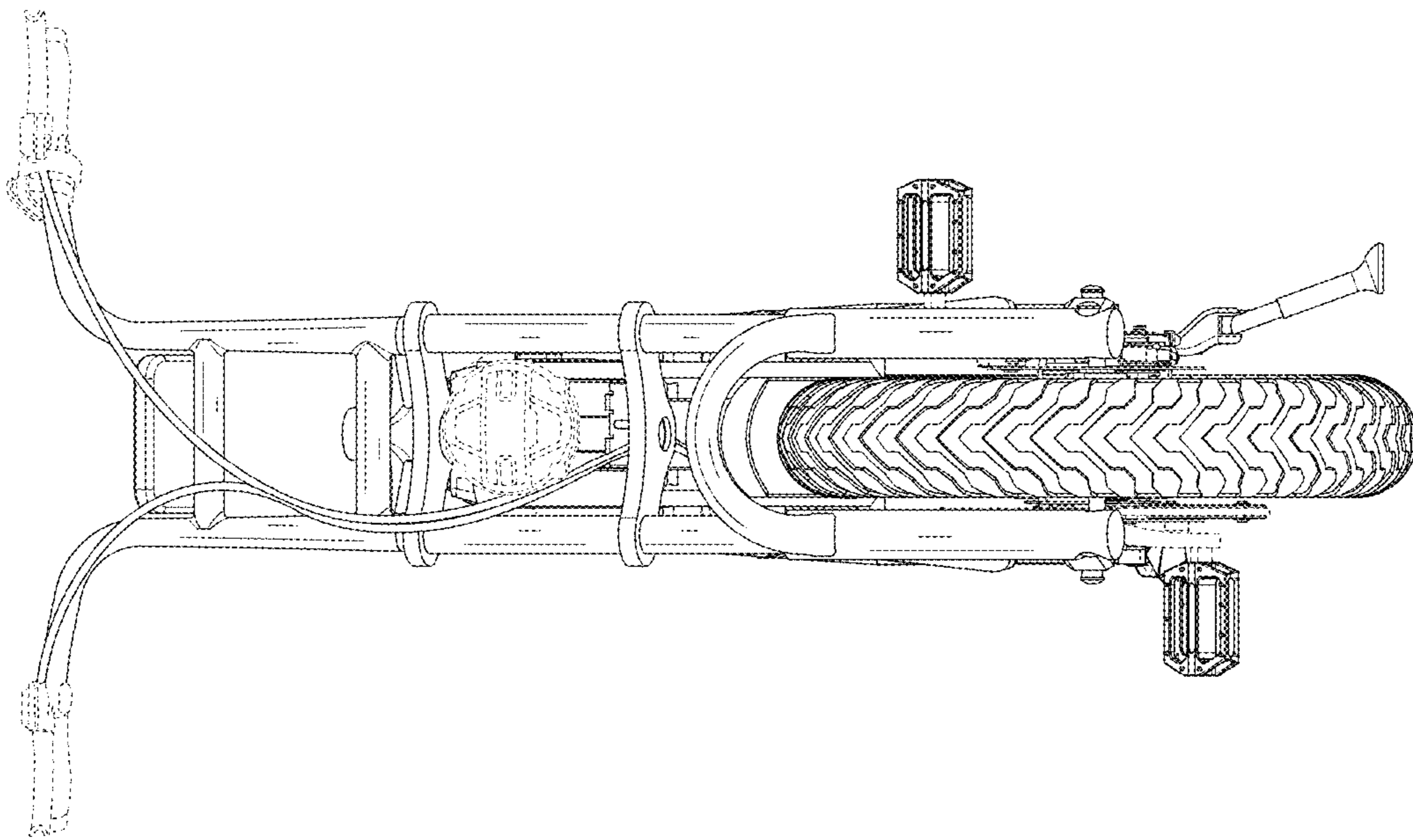


FIG. 6

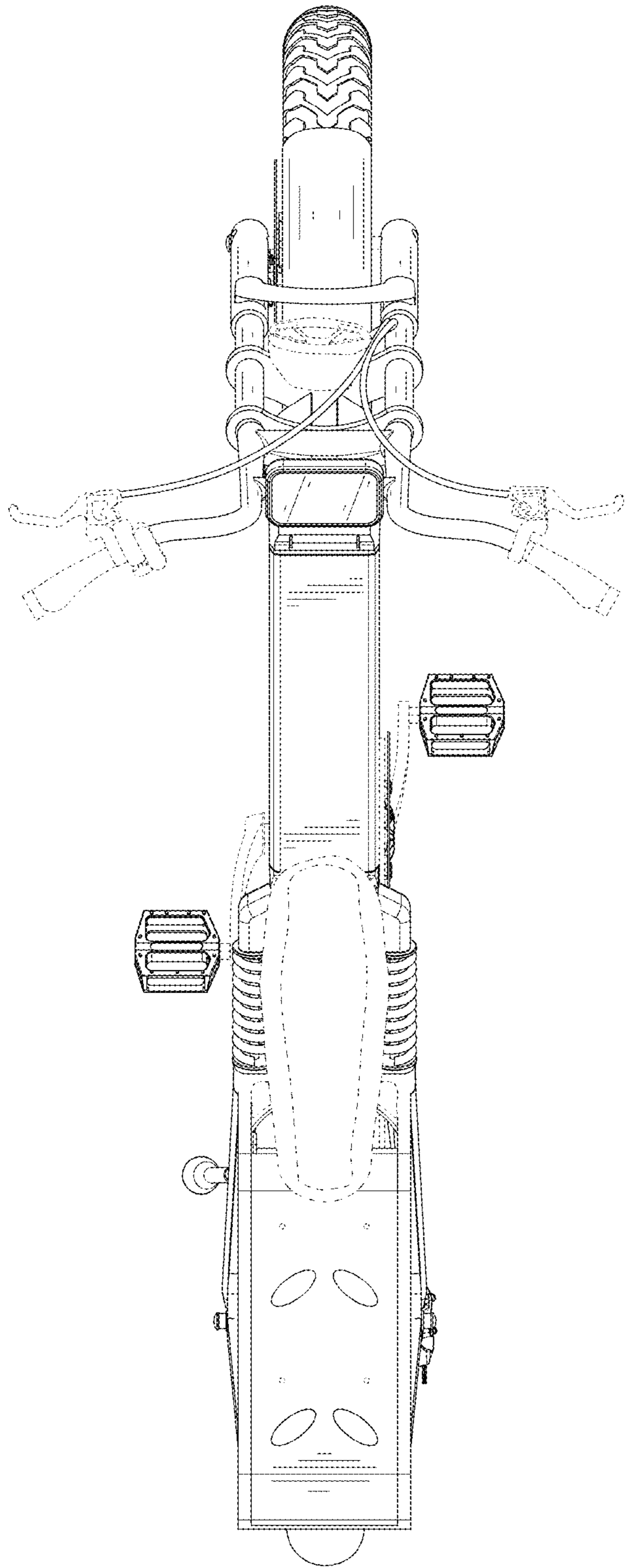


FIG. 7

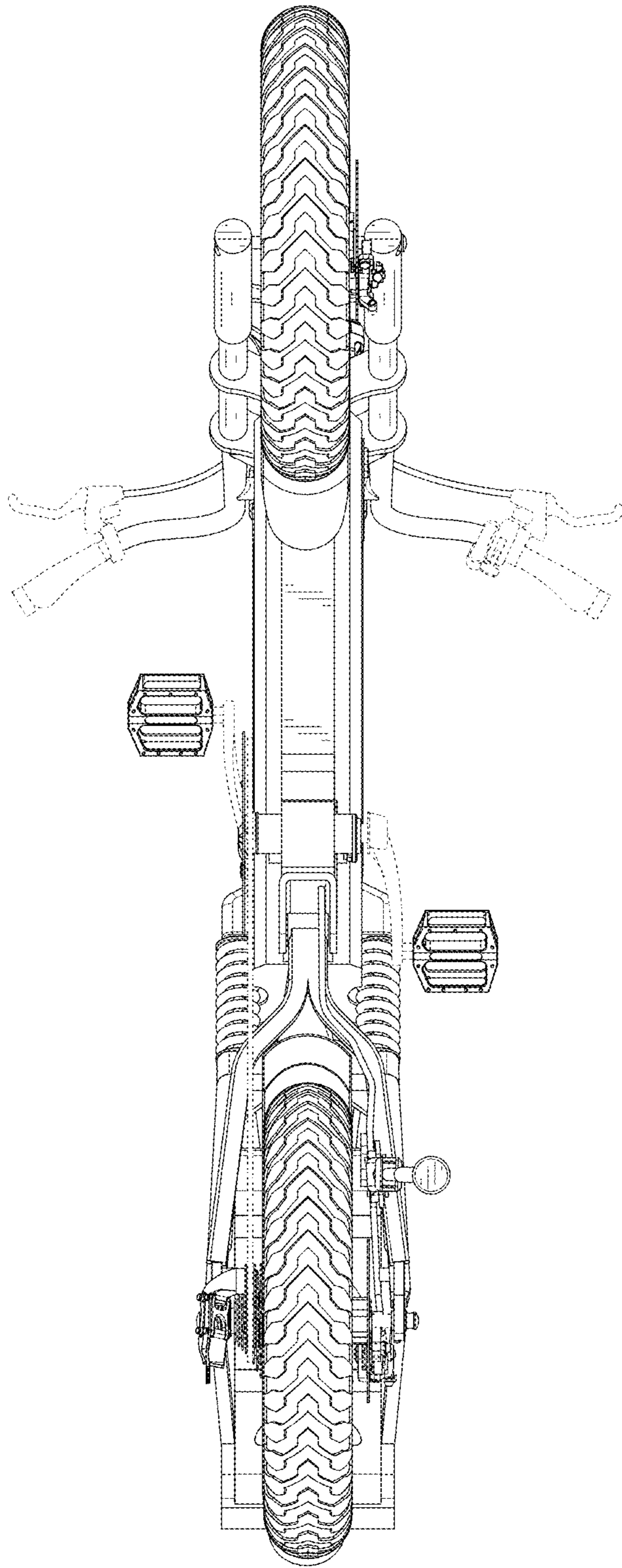


FIG. 8

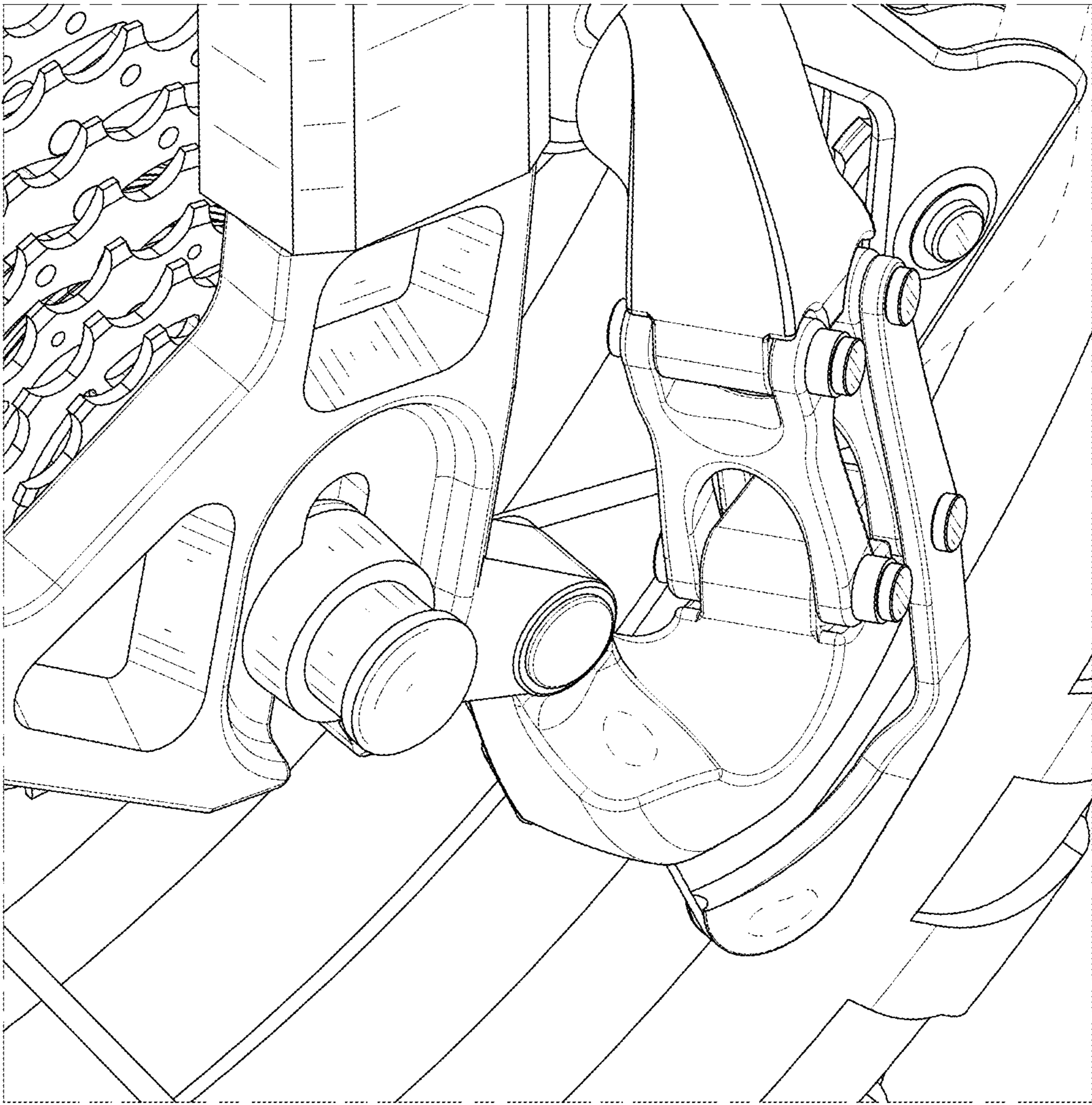


FIG. 9

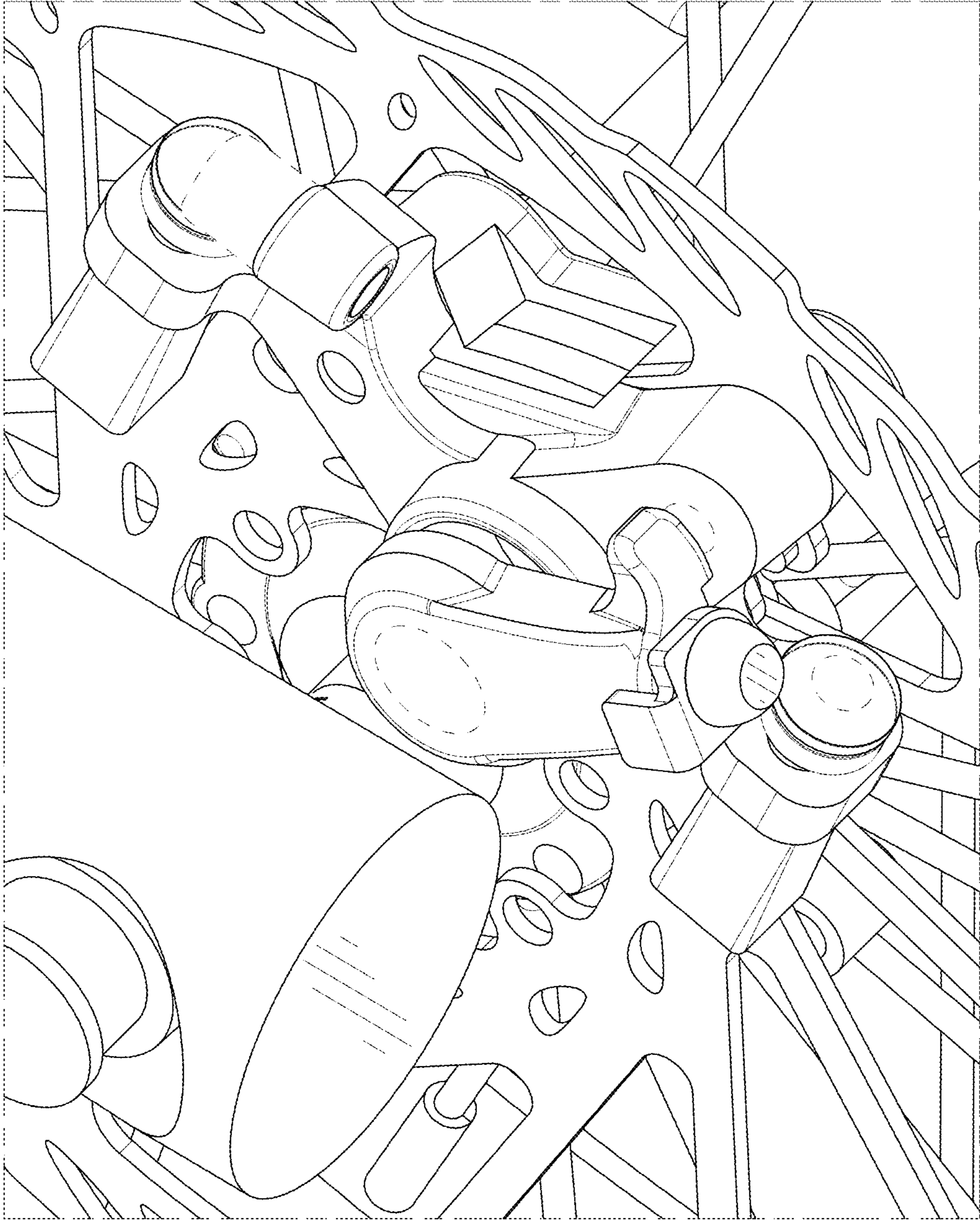


FIG. 10

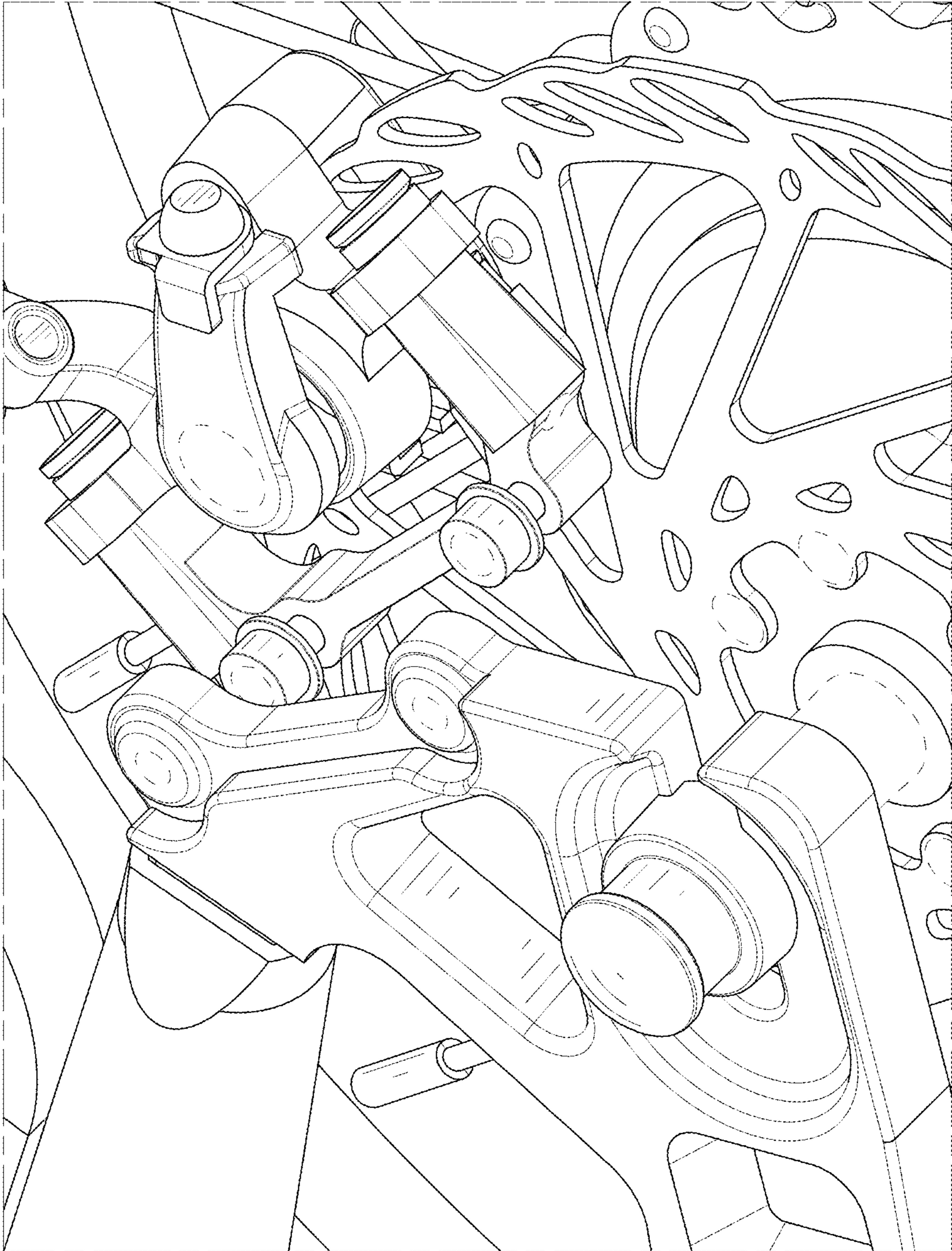


FIG. 11