



US00D984322S

(12) **United States Design Patent**
Xiong

(10) **Patent No.:** **US D984,322 S**
(45) **Date of Patent:** **** Apr. 25, 2023**

(54) **ELECTRIC BICYCLE**

(71) Applicant: **Hao Xiong**, Shenzhen (CN)

(72) Inventor: **Hao Xiong**, Shenzhen (CN)

(**) Term: **15 Years**

(21) Appl. No.: **29/807,703**

(22) Filed: **Sep. 14, 2021**

(51) **LOC (14) Cl.** **12-11**

(52) **U.S. Cl.**
USPC **D12/111**

(58) **Field of Classification Search**
USPC D12/111, 117; D21/412, 414, 419,
D21/423-428, 431-435
CPC ... B62K 3/00; B62K 3/02; B62K 3/06; B62K
11/00; B62K 11/02; B62K 11/04; B62K
11/10; B62K 17/00; B62K 19/00; B62K
2202/00

See application file for complete search history.

(56) **References Cited**

U.S. PATENT DOCUMENTS

D465,437 S *	11/2002	van der Veer	D12/111
D473,495 S *	4/2003	Niitsu	D12/111
6,623,023 B2 *	9/2003	Niitsu	B62K 15/008 280/278
D498,438 S *	11/2004	Ying	D12/111
D833,916 S *	11/2018	Yu	D12/111
D903,532 S *	12/2020	Ma	D12/111
D925,404 S *	7/2021	Lin	D12/111
D925,405 S *	7/2021	Lin	D12/111
D945,934 S *	3/2022	Ischepp	D12/111
D957,291 S *	7/2022	Deng	D12/111
D958,008 S *	7/2022	Zeng	D12/111
D960,052 S *	8/2022	Chen	D12/111
D960,769 S *	8/2022	Chen	D12/111
D967,735 S *	10/2022	Zhang	D12/111

D971,084 S *	11/2022	Peng	D12/111
2022/0332389 A1 *	10/2022	Braedt	B62M 6/55
2023/0002005 A1 *	1/2023	Duggan	B62M 9/06

OTHER PUBLICATIONS

“XP™ 3.0 Black.” Lectric Bikes., Nov. 1, 2022 [online], [retrieved on Feb. 12, 2023]. Retrieved from the Internet <URL: <https://lectricebikes.com/products/xp-black>>.*

“Lectric XP 3.0 Review | Electric Folding Fat Bike (2022).” YouTube., Dec. 2, 2022 [online], [retrieved on Feb. 12, 2023]. Retrieved from the Internet <URL: <https://www.youtube.com/watch?v=w-ichydFHFU>>.*

“Mars—Best Folding Ebike For All Terrain.” Heybike., Dec. 8, 2022 [online], [retrieved on Feb. 12, 2023]. Retrieved from the Internet <URL: <https://www.heybike.com/products/heybike-mars-electric-bike>>.*

“2023 Green Bike Electric Motion Classic HS 20” 36V Folding Electric Bike.” Upzy., Aug. 19, 2022 [online], [retrieved on Feb. 12, 2023]. Retrieved from the Internet <URL: <https://www.upzy.com/products/green-bike-electric-motion-classic-hs-20-36v-folding-electric-bike>>.*

* cited by examiner

Primary Examiner — Darlington Ly

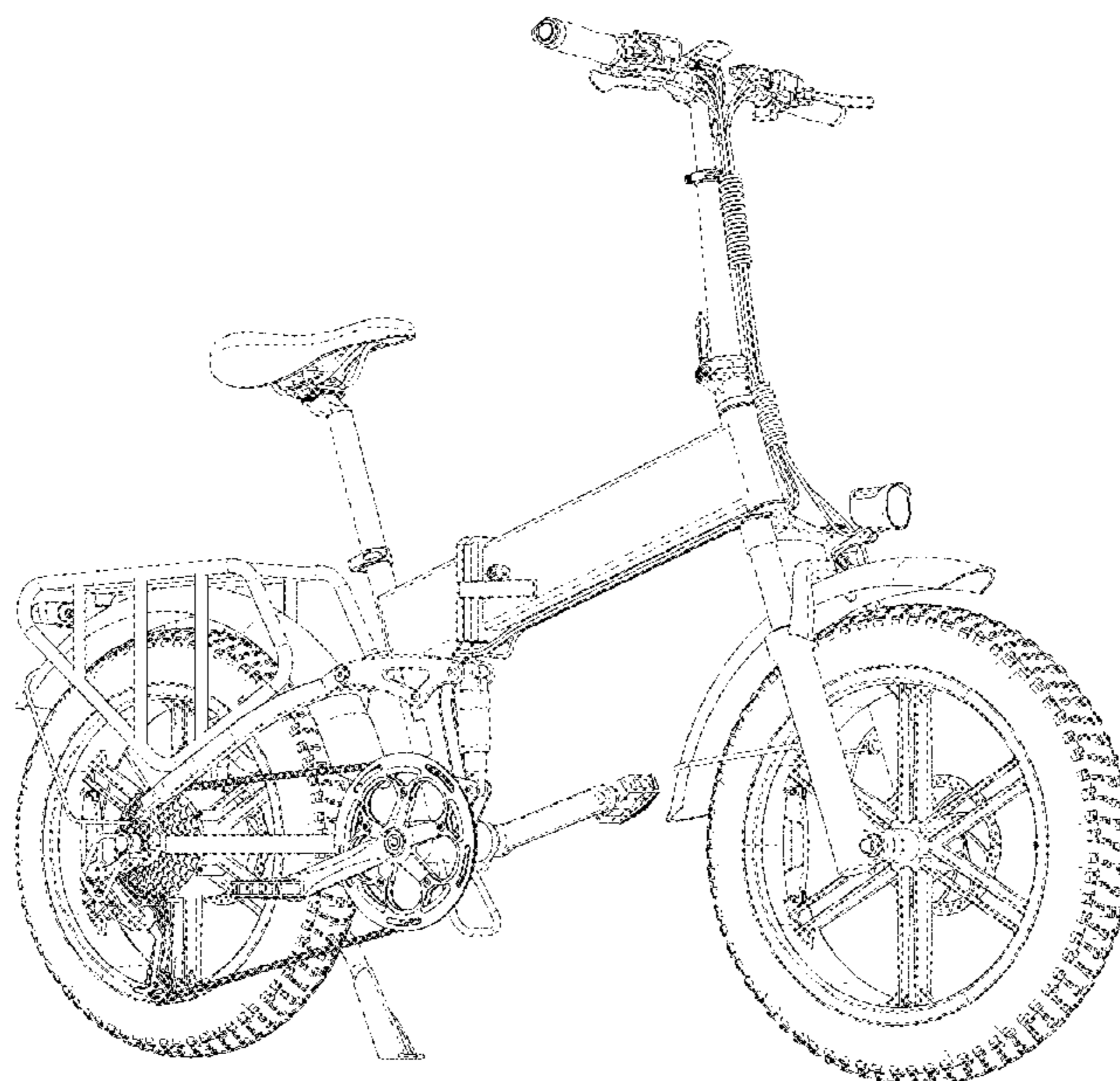
(57) **CLAIM**

The ornamental design for an electric bicycle, as shown and described.

DESCRIPTION

FIG. 1 is a front and right side perspective view of an electric bicycle embodying my new design;
FIG. 2 is a rear and left side perspective view thereof;
FIG. 3 is a front elevation view thereof;
FIG. 4 is a rear elevation view thereof;
FIG. 5 is a right side elevation view thereof;
FIG. 6 is a left side elevation view thereof;
FIG. 7 is a top plan view thereof; and,
FIG. 8 is a bottom plan view thereof.

1 Claim, 8 Drawing Sheets



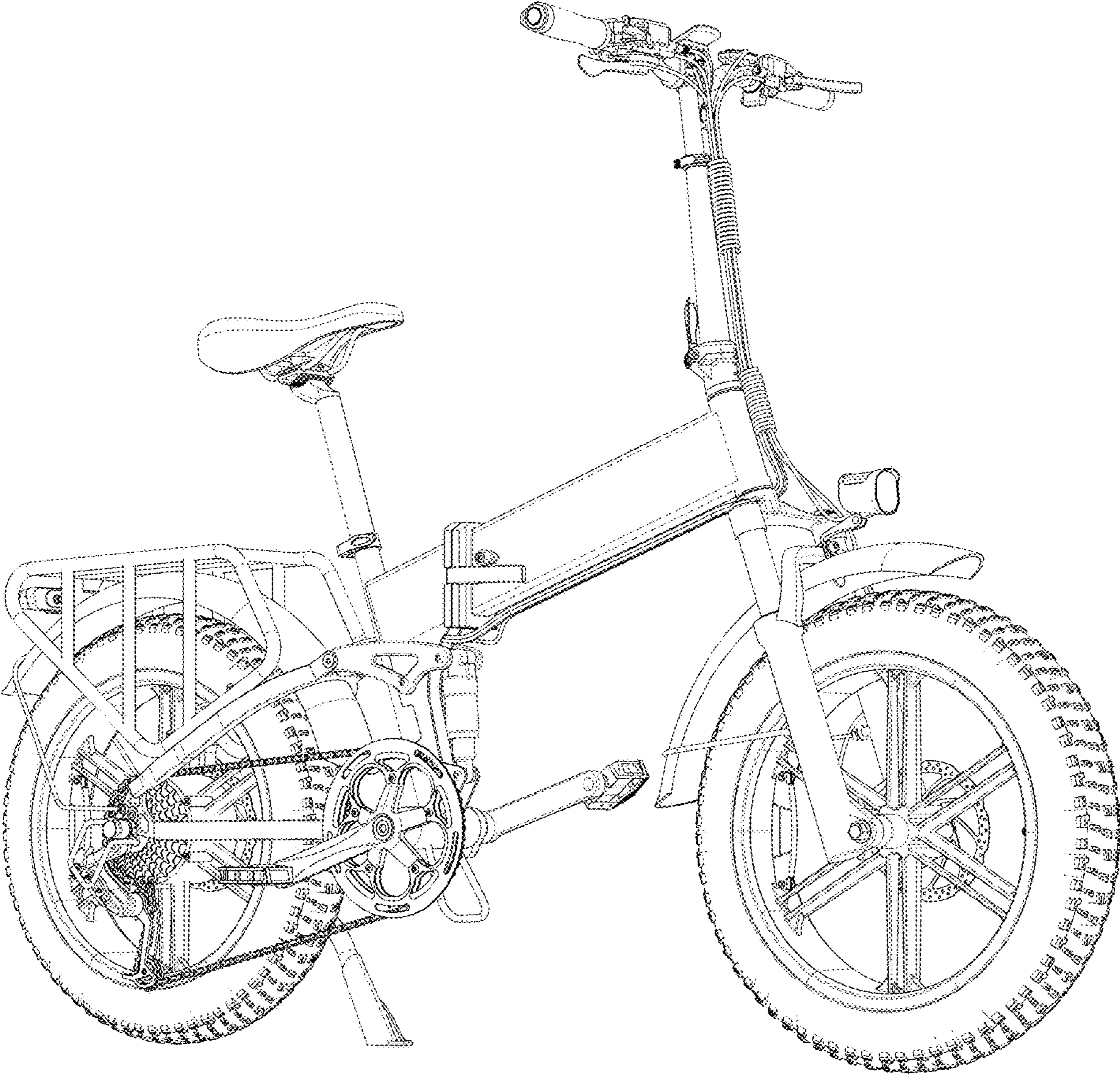


FIG. 1

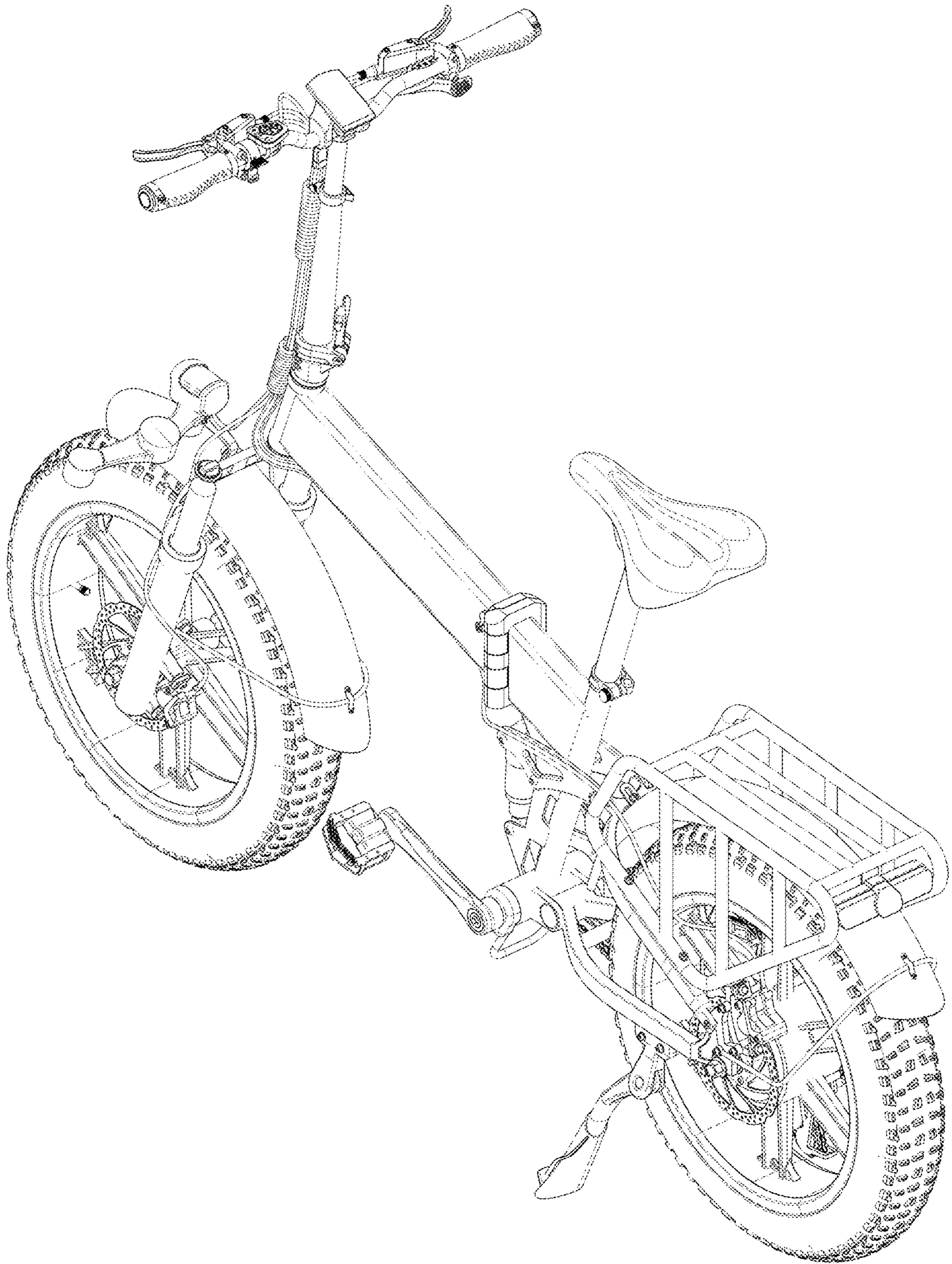


FIG. 2

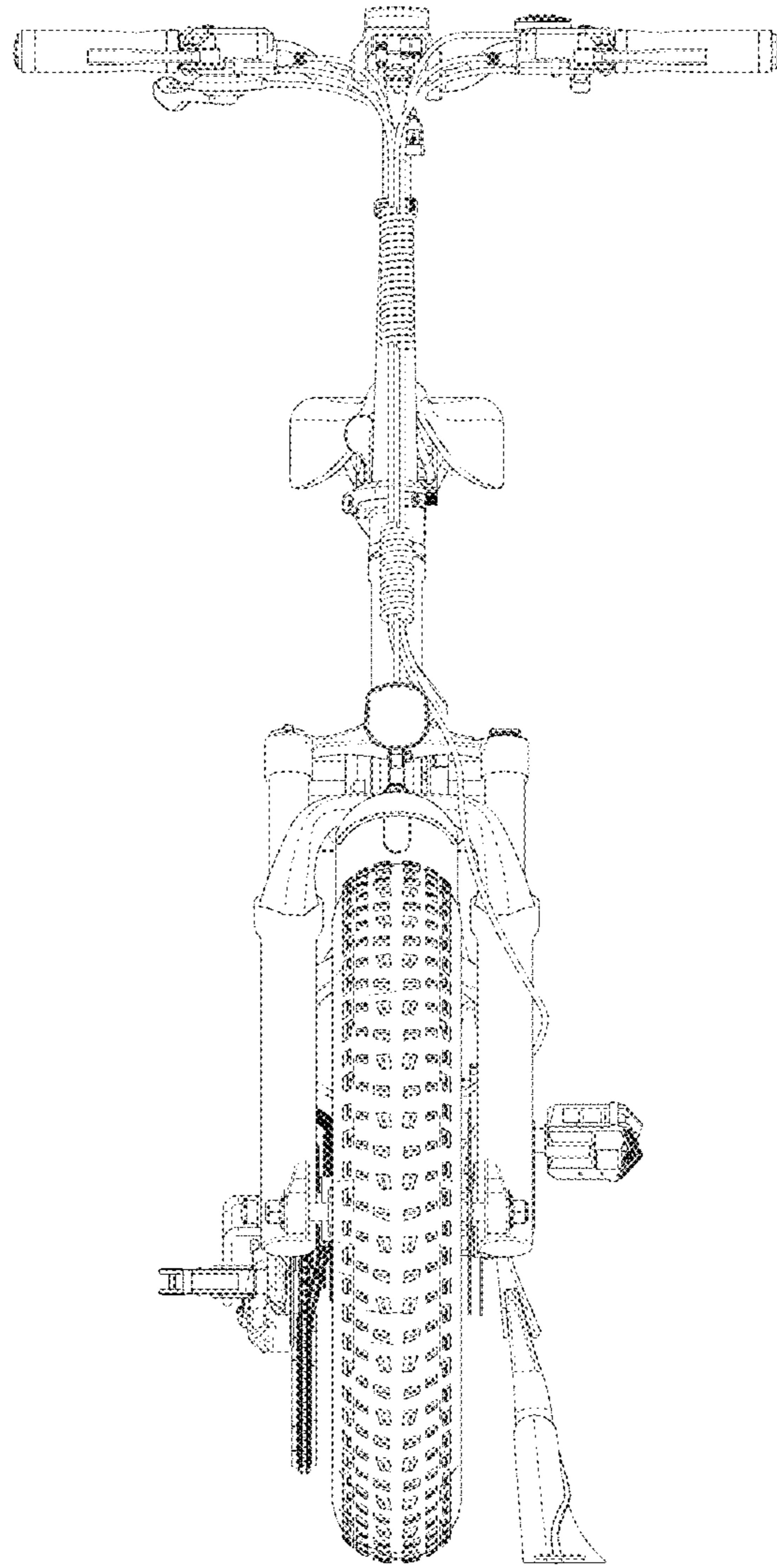


FIG. 3

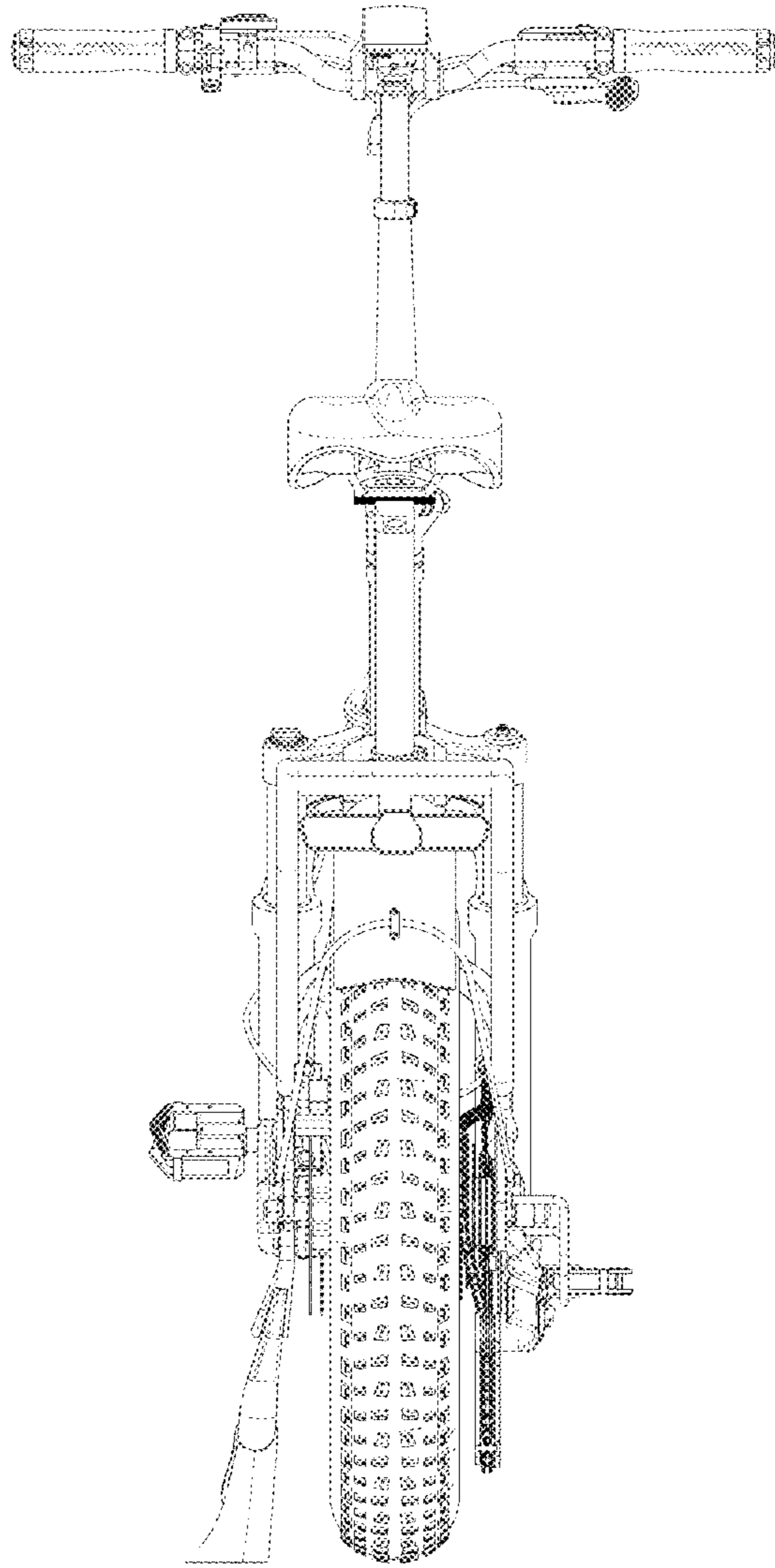


FIG. 4

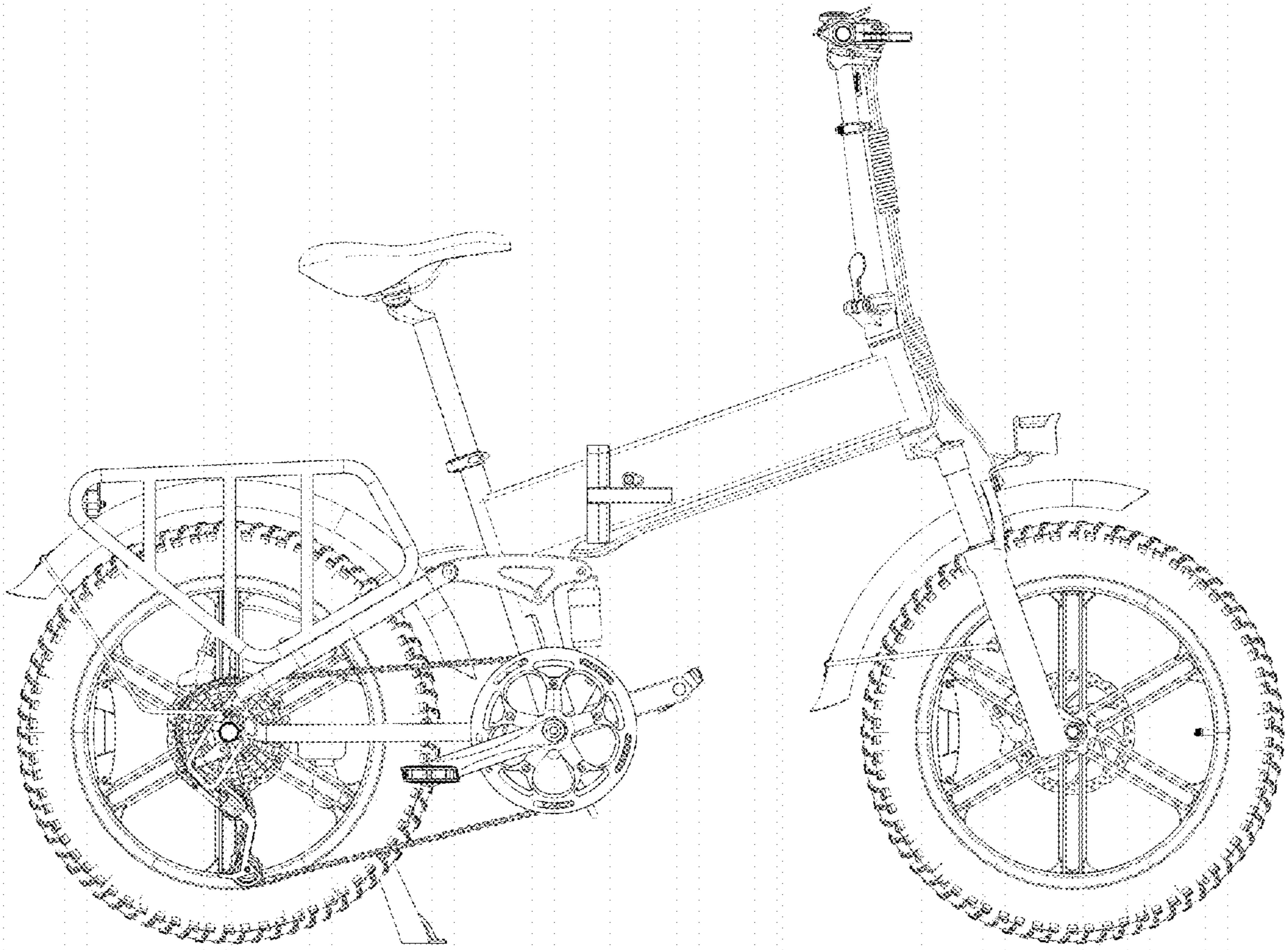


FIG. 5

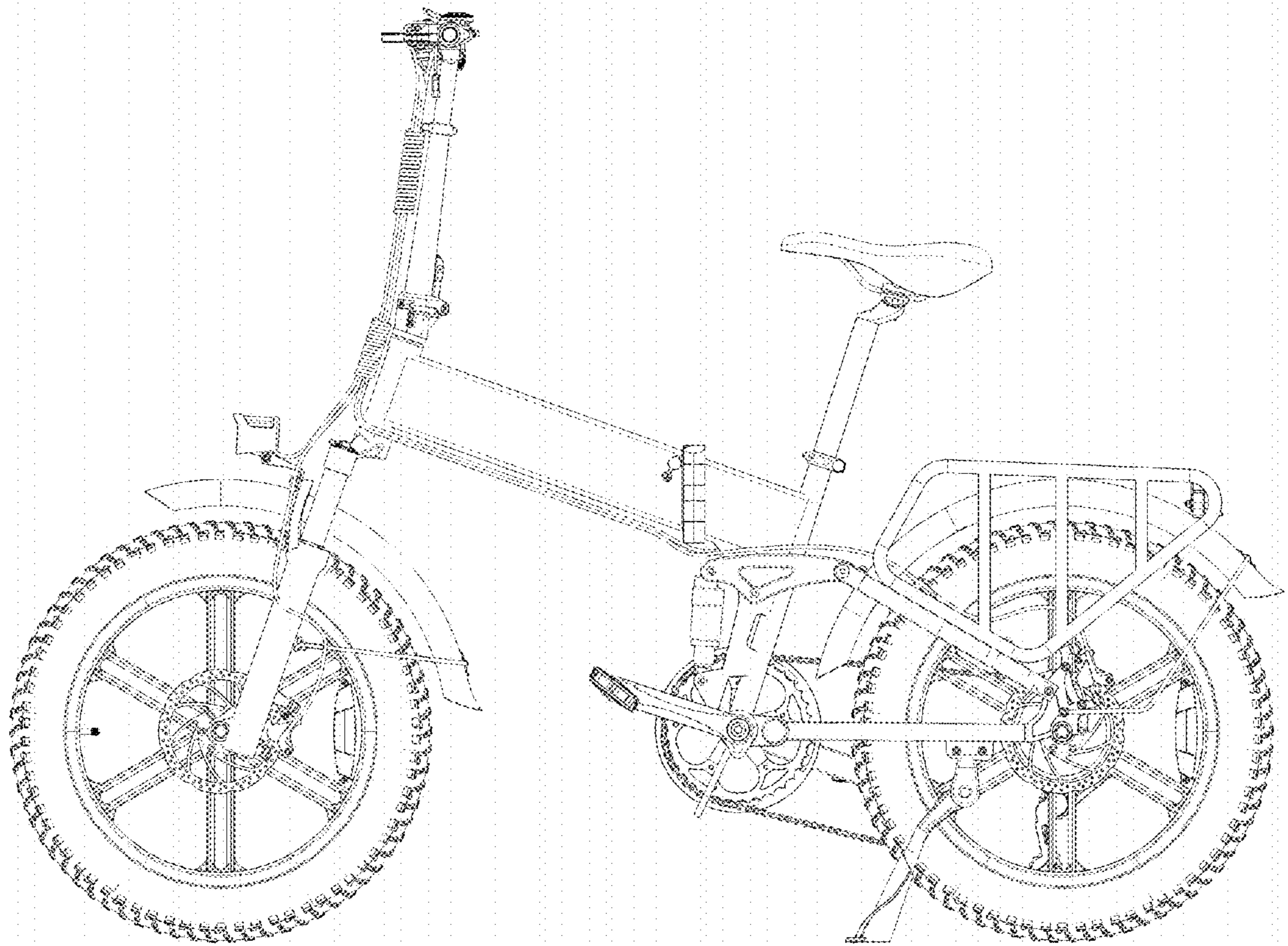


FIG. 6

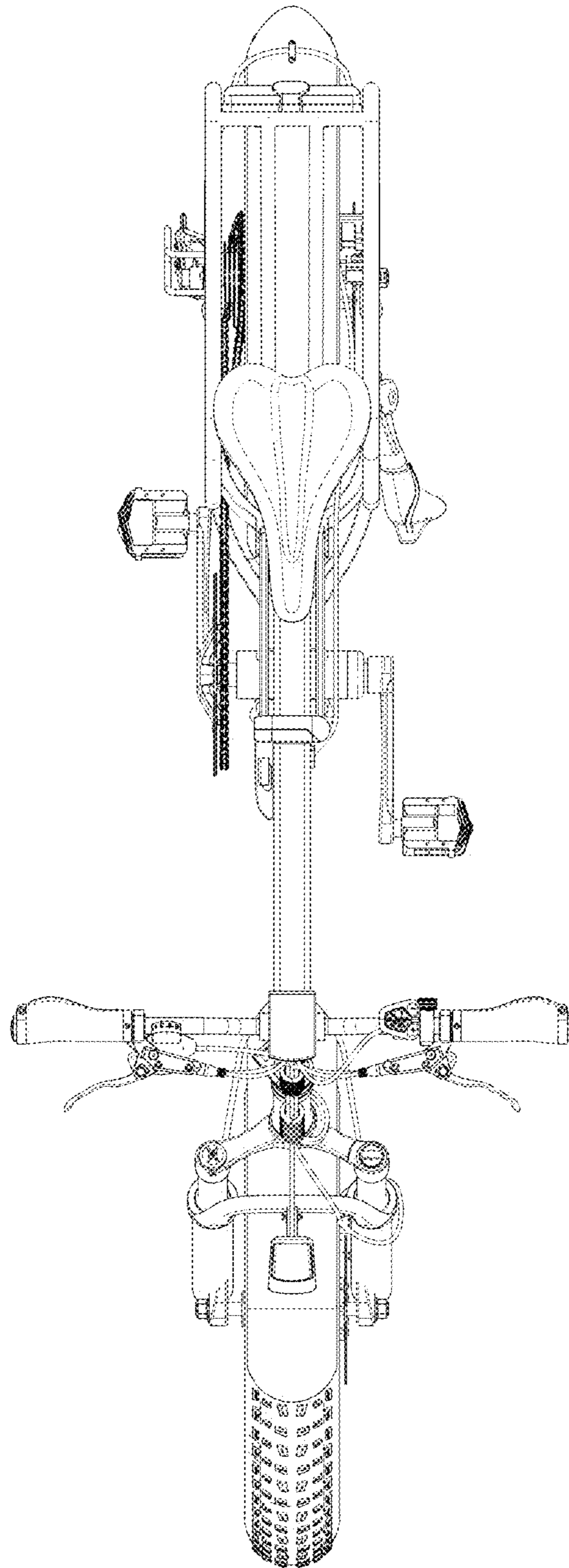


FIG. 7

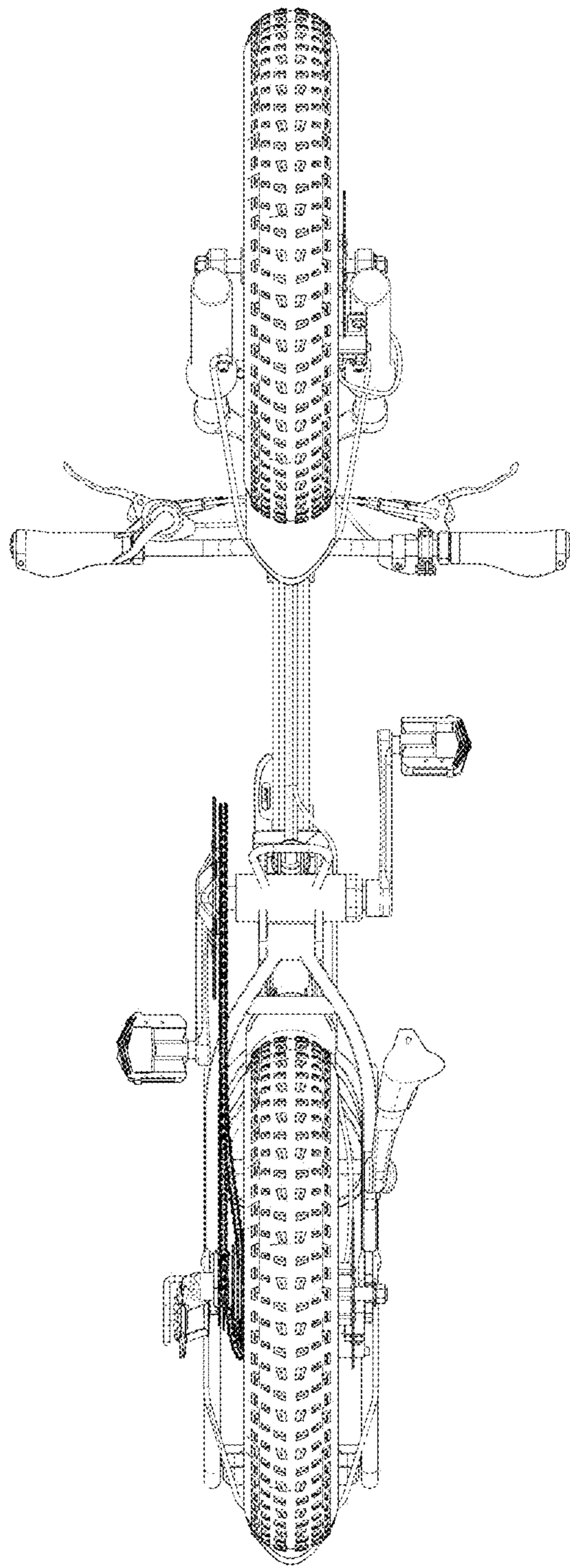


FIG. 8