



US00D984321S

(12) **United States Design Patent**  
**Alishahi**

(10) **Patent No.:** **US D984,321 S**  
(45) **Date of Patent:** **\*\* Apr. 25, 2023**

(54) **MOTORIZED BICYCLE FRAME AND FIRST STAGE TRANSMISSION ASSEMBLY**

(71) Applicant: **Nationwide Access, LLC**, Van Nuys, CA (US)

(72) Inventor: **Saman Alishahi**, Van Nuys, CA (US)

(73) Assignee: **Nationwide Access, LLC**, Van Nuys, CA (US)

(\*\*) Term: **15 Years**

(21) Appl. No.: **29/755,131**

(22) Filed: **Oct. 17, 2020**

(51) **LOC (14) Cl.** ..... **12-11**

(52) **U.S. Cl.**  
USPC ..... **D12/111**

(58) **Field of Classification Search**  
USPC ..... D12/111, 117; D21/412, 414, 419,  
D21/423-428, 431-435  
CPC ..... B62K 3/00; B62K 3/02; B62K 3/06  
See application file for complete search history.

(56) **References Cited**

**U.S. PATENT DOCUMENTS**

D114,554 S *	5/1939	Morgan	.....	D12/111
D155,745 S *	10/1949	Stevens	.....	D12/111
D200,753 S *	3/1965	Ryan	.....	280/288.4
D301,437 S *	6/1989	Bleustein	.....	D12/110
D398,562 S *	9/1998	Coker	.....	D12/111
6,267,401 B1 *	7/2001	De Jong	.....	B62K 15/008 280/287
D487,234 S *	3/2004	Chen	.....	D12/111
D507,768 S *	7/2005	Tomlinson	.....	D12/111
D520,917 S *	5/2006	Mordo	.....	D12/111
7,055,842 B1 *	6/2006	Lin	.....	B62K 15/008 292/164
7,156,409 B2 *	1/2007	Chuang	.....	B62K 15/006 280/281.1
D542,189 S *	5/2007	Ellsworth	.....	D12/111
D548,141 S *	8/2007	Pizzi	.....	D12/111

D644,571 S *	9/2011	Bethlenfalvy	.....	D12/111
D720,657 S *	1/2015	Kahler, Jr.	.....	D12/111
D742,284 S *	11/2015	Strickland	.....	D12/111
D836,038 S *	12/2018	Huang	.....	D12/111
D859,222 S *	9/2019	Demeyere	.....	D12/111

(Continued)

**OTHER PUBLICATIONS**

Daves Vintage Bolt. "Felt Iron Bolt." Korean Car Blog., Dec. 5, 2009 [online], [retrieved on Jun. 30, 2022]. Retrieved from the Internet <URL: <https://motoredbikes.com/media/felt-iron-bolt-39877/>>.\*

*Primary Examiner* — Darlington Ly

(74) *Attorney, Agent, or Firm* — Crawford I.P. Law;  
David E. Crawford

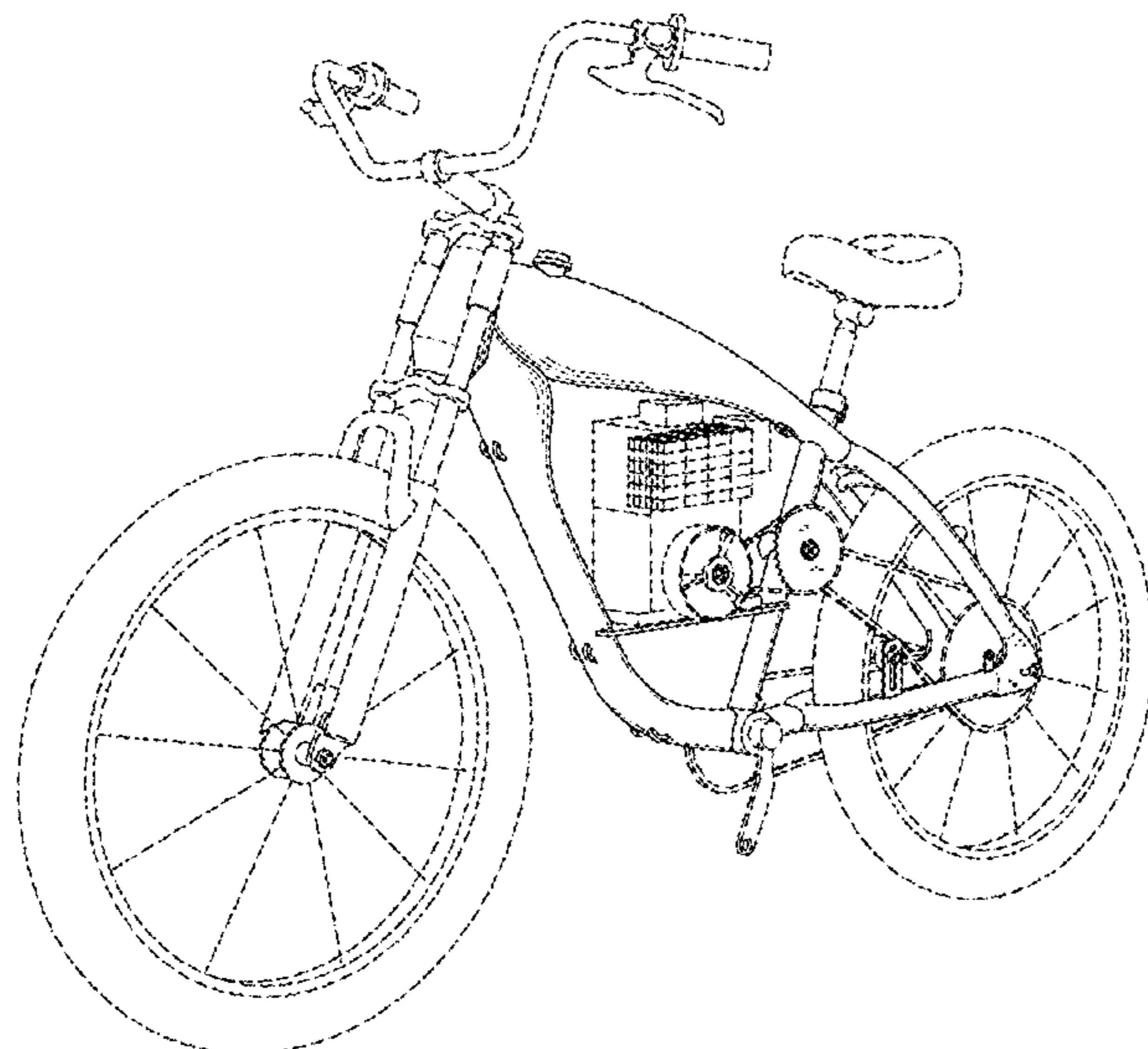
(57) **CLAIM**

The ornamental design for a motorized bicycle frame and first stage transmission assembly, as shown and described.

**DESCRIPTION**

FIG. 1 is a perspective of a motorized bicycle frame and first stage transmission assembly of the present invention; FIG. 2 is a left side elevation of the motorized bicycle frame and first stage transmission assembly; FIG. 3 is a right side elevation of the motorized bicycle frame and first stage transmission assembly; FIG. 4 is a front elevation of the motorized bicycle frame and first stage transmission assembly; FIG. 5 is a rear elevation of the motorized bicycle frame and first stage transmission assembly; FIG. 6 is a top plan of the motorized bicycle frame and first stage transmission assembly; and, FIG. 7 is a bottom plan of the motorized bicycle frame and first stage transmission assembly. The dashed lines in the figures illustrate environmental structures forming no part of the claimed design.

**1 Claim, 5 Drawing Sheets**



(56)

**References Cited**

U.S. PATENT DOCUMENTS

D879,668 S \* 3/2020 Wu ..... D12/111  
D939,387 S \* 12/2021 Chambers ..... D12/111  
D945,330 S \* 3/2022 Ischepp ..... D12/111  
2011/0115193 A1\* 5/2011 Giroux ..... B62J 11/19  
280/281.1  
2014/0209400 A1\* 7/2014 Yao ..... B62M 6/45  
180/167  
2019/0077476 A1\* 3/2019 Lloyd ..... B62K 19/18  
2021/0347428 A1\* 11/2021 Radenbaugh ..... B62J 25/06  
2022/0009587 A1\* 1/2022 Macias ..... B62H 1/04

\* cited by examiner

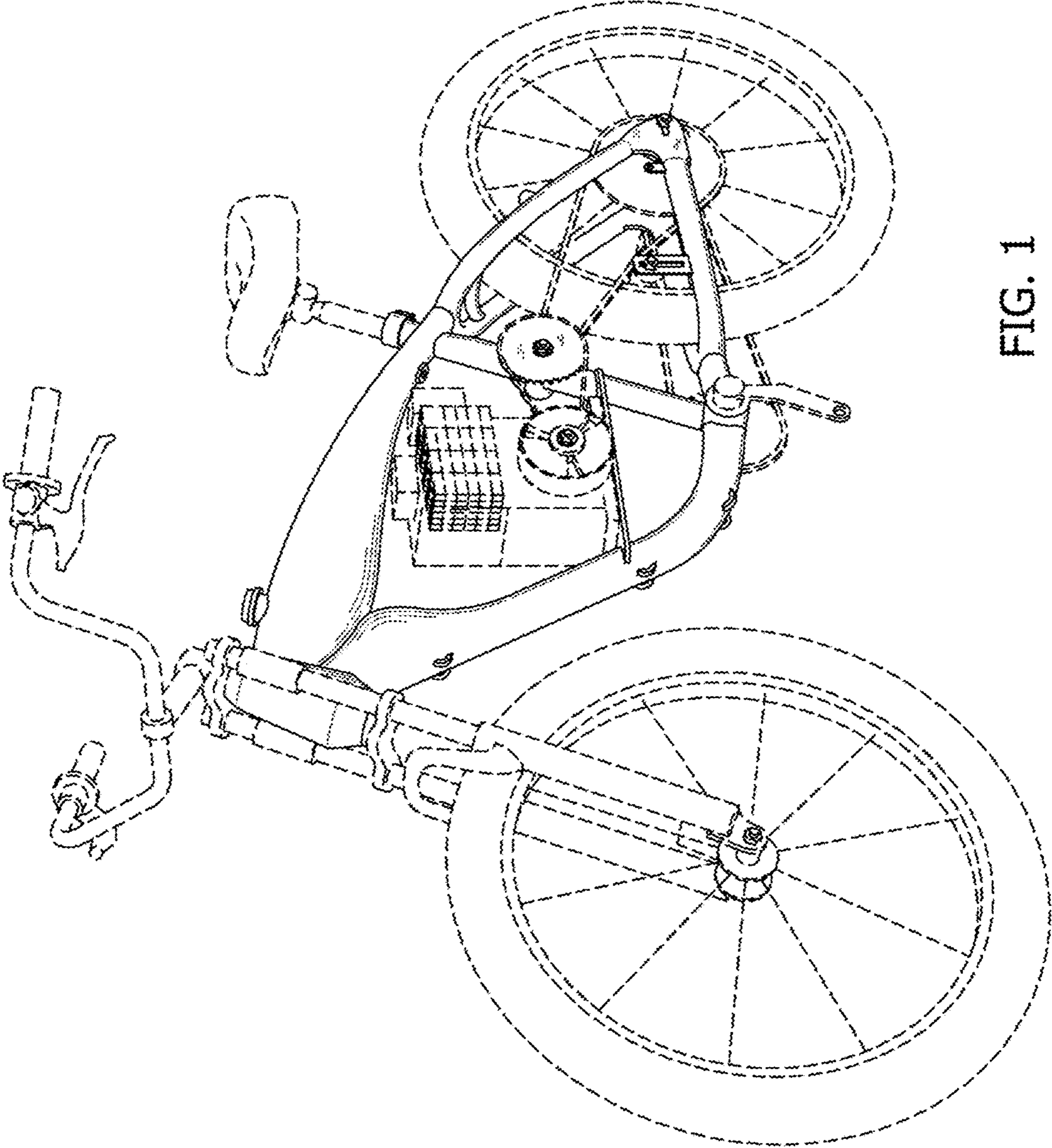


FIG. 1

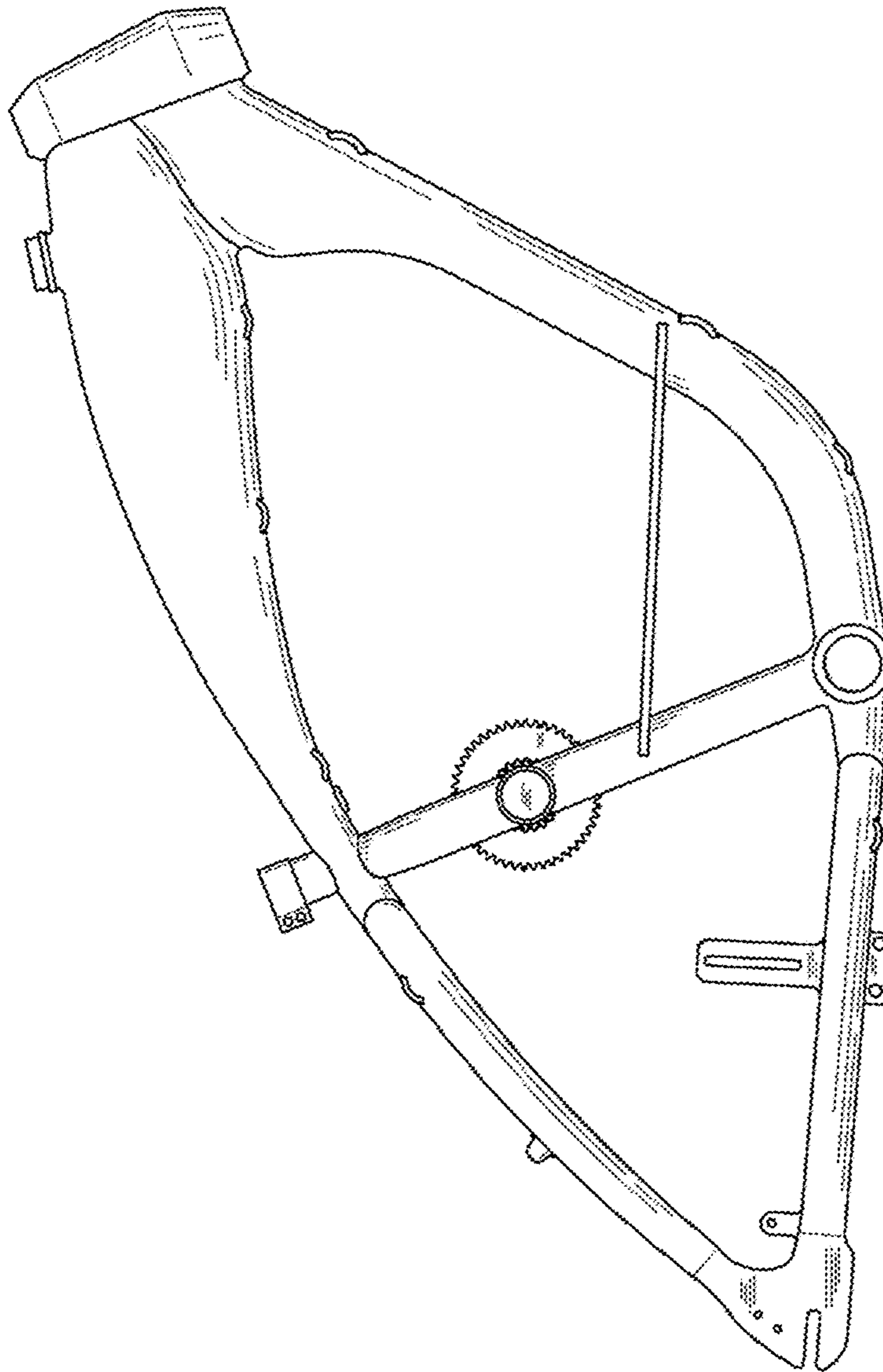


FIG. 2

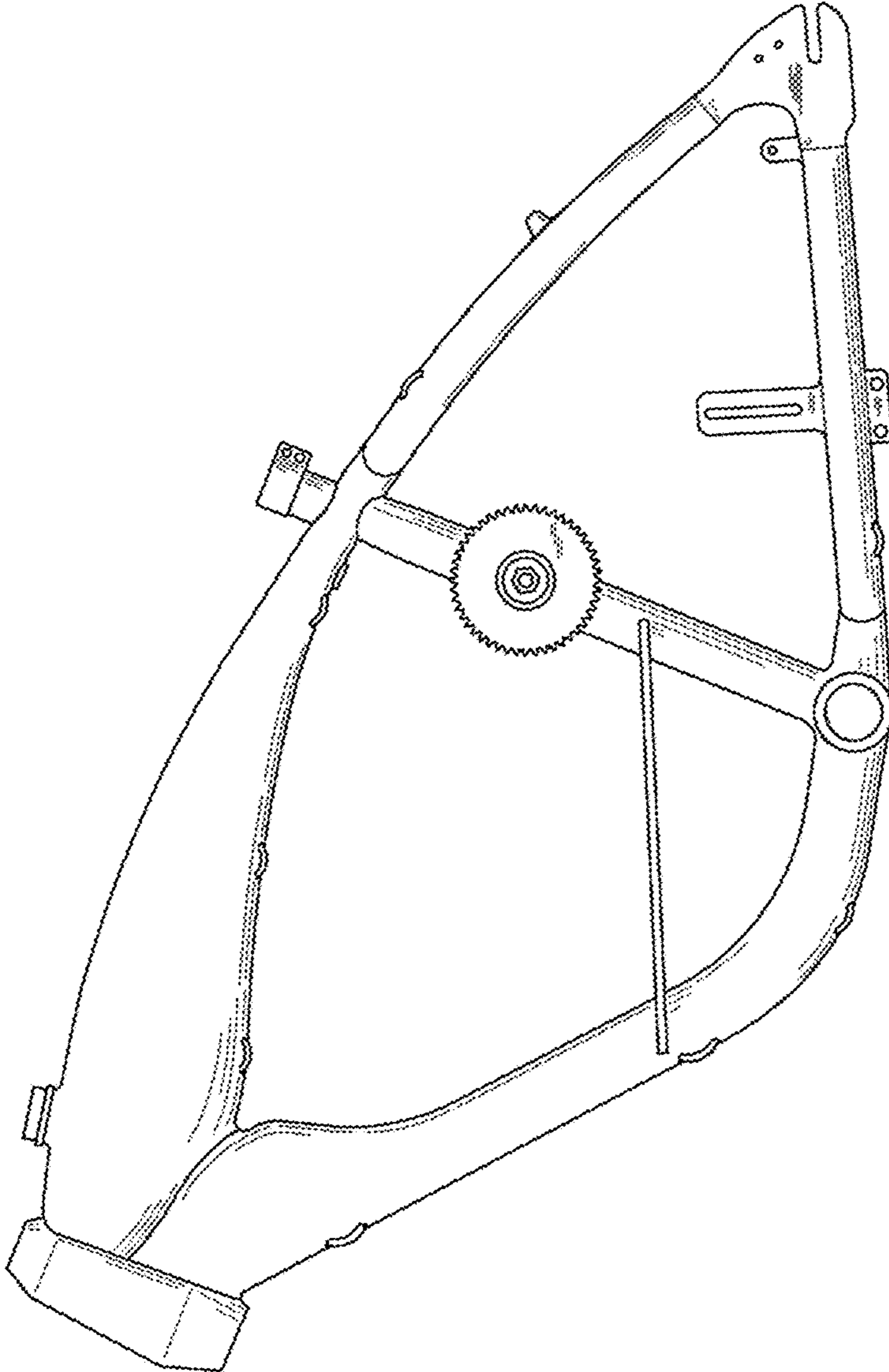


FIG. 3

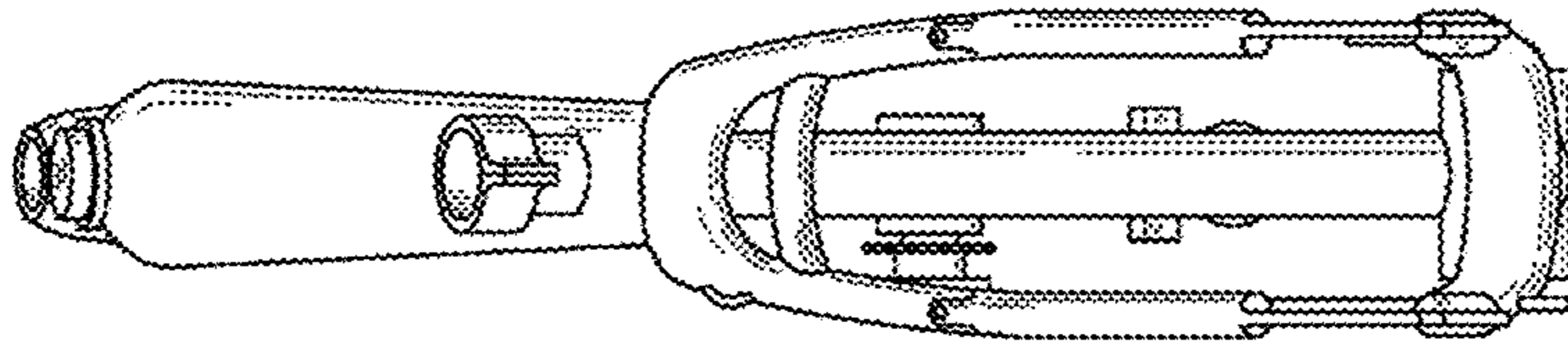


FIG. 5

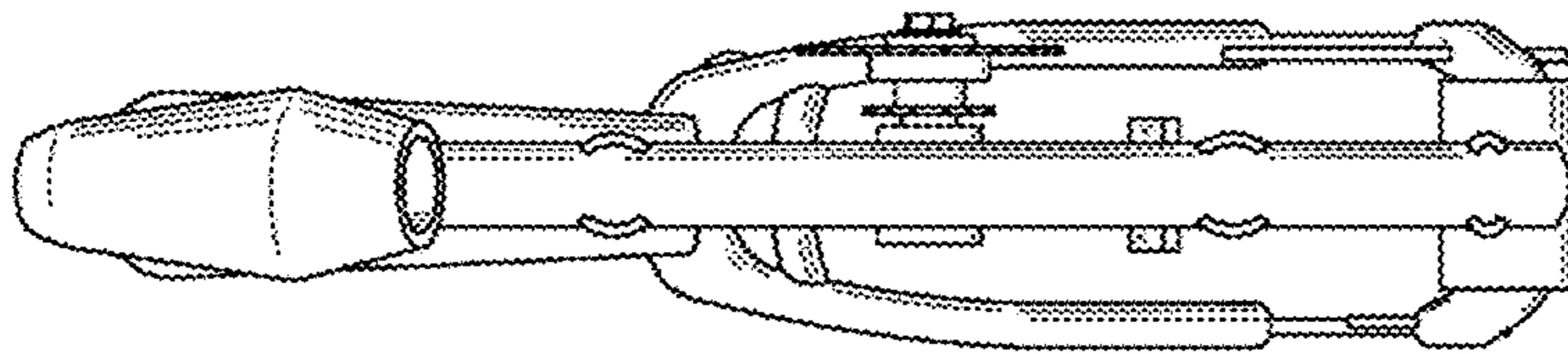


FIG. 4

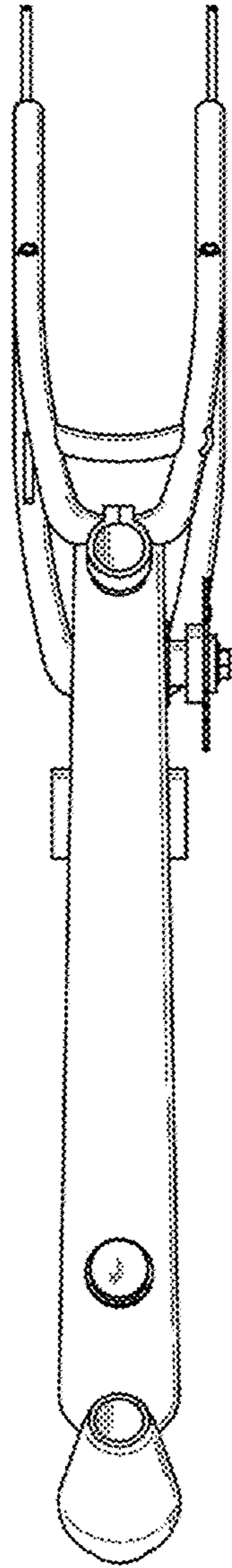


FIG. 6

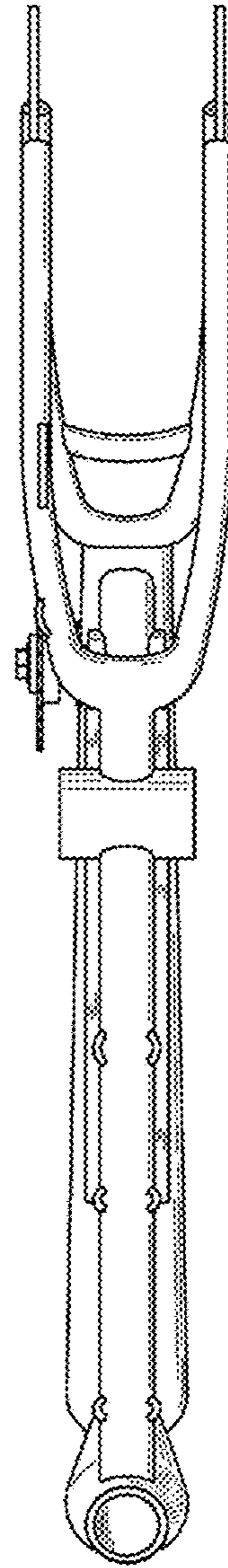


FIG. 7