



US00D984319S

(12) **United States Design Patent**  
**Umemoto et al.**

(10) **Patent No.:** **US D984,319 S**  
(45) **Date of Patent:** **\*\* Apr. 25, 2023**

(54) **MOTORCYCLE**  
(71) Applicant: **Yamaha Hatsudoki Kabushiki Kaisha,**  
Shizuoka-ken (JP)  
(72) Inventors: **Takeshi Umemoto,** Tokyo (JP);  
**Yasuhiro Seki,** Shizuoka-ken (JP)  
(73) Assignee: **YAMAHA HATSUDOKI**  
**KABUSHIKI KAISHA**

(\*\*) Term: **15 Years**

(21) Appl. No.: **29/801,511**

(22) Filed: **Jul. 29, 2021**

(30) **Foreign Application Priority Data**

Jan. 29, 2021 (JP) ..... 2021-001928

(51) **LOC (14) Cl.** ..... **12-11**

(52) **U.S. Cl.**  
USPC ..... **D12/110**

(58) **Field of Classification Search**  
USPC ..... D12/110, 111, 117; D21/432, 538  
CPC ..... B62K 11/00; B62K 11/02; B62K 11/04;  
B62K 11/10; B62K 17/00; B62K 19/00;  
B62K 2202/00

See application file for complete search history.

(56) **References Cited**

**U.S. PATENT DOCUMENTS**

D724,496 S \* 3/2015 Takeda ..... D12/110  
D864,794 S \* 10/2019 Waters ..... D12/110  
D864,795 S \* 10/2019 Waters ..... D12/110  
D875,614 S \* 2/2020 Akita ..... D12/110  
D885,983 S \* 6/2020 Ytterborn ..... D12/110  
D890,033 S \* 7/2020 Carducci ..... D12/110  
D907,534 S \* 1/2021 Ying ..... D12/110  
D908,540 S \* 1/2021 Akita ..... D12/110  
D933,535 S \* 10/2021 Petersson ..... D12/110

D933,536 S \* 10/2021 Petersson ..... D12/110  
D940,599 S \* 1/2022 Chambers ..... D12/110  
D950,422 S \* 5/2022 Sondors ..... D12/110  
D956,630 S \* 7/2022 Ito ..... D12/110  
D958,701 S \* 7/2022 Tsuji ..... D12/110  
11,453,457 B2 \* 9/2022 Kugele ..... B62J 1/08  
2013/0081894 A1 \* 4/2013 Ishikawa ..... B62M 7/04  
180/220  
2014/0305729 A1 \* 10/2014 Testoni ..... B62J 43/16  
180/220  
2014/0367184 A1 \* 12/2014 Matsuda ..... B60L 50/51  
180/220  
2015/0122568 A1 \* 5/2015 Eguchi ..... B62K 11/04  
180/220

(Continued)

**OTHER PUBLICATIONS**

“2020 Model Information—Kawasaki KLX230.” Kawasaki., Apr. 25, 2019 [online], [retrieved on Sep. 27, 2022]. Retrieved from the Internet <URL: [https://kawasaki.co.nz/wp-content/uploads/2019/06/20\\_KLX230\\_Model-Information.pdf](https://kawasaki.co.nz/wp-content/uploads/2019/06/20_KLX230_Model-Information.pdf)>.\*

(Continued)

*Primary Examiner* — Darlington Ly  
(74) *Attorney, Agent, or Firm* — Ostrolenk Faber LLP

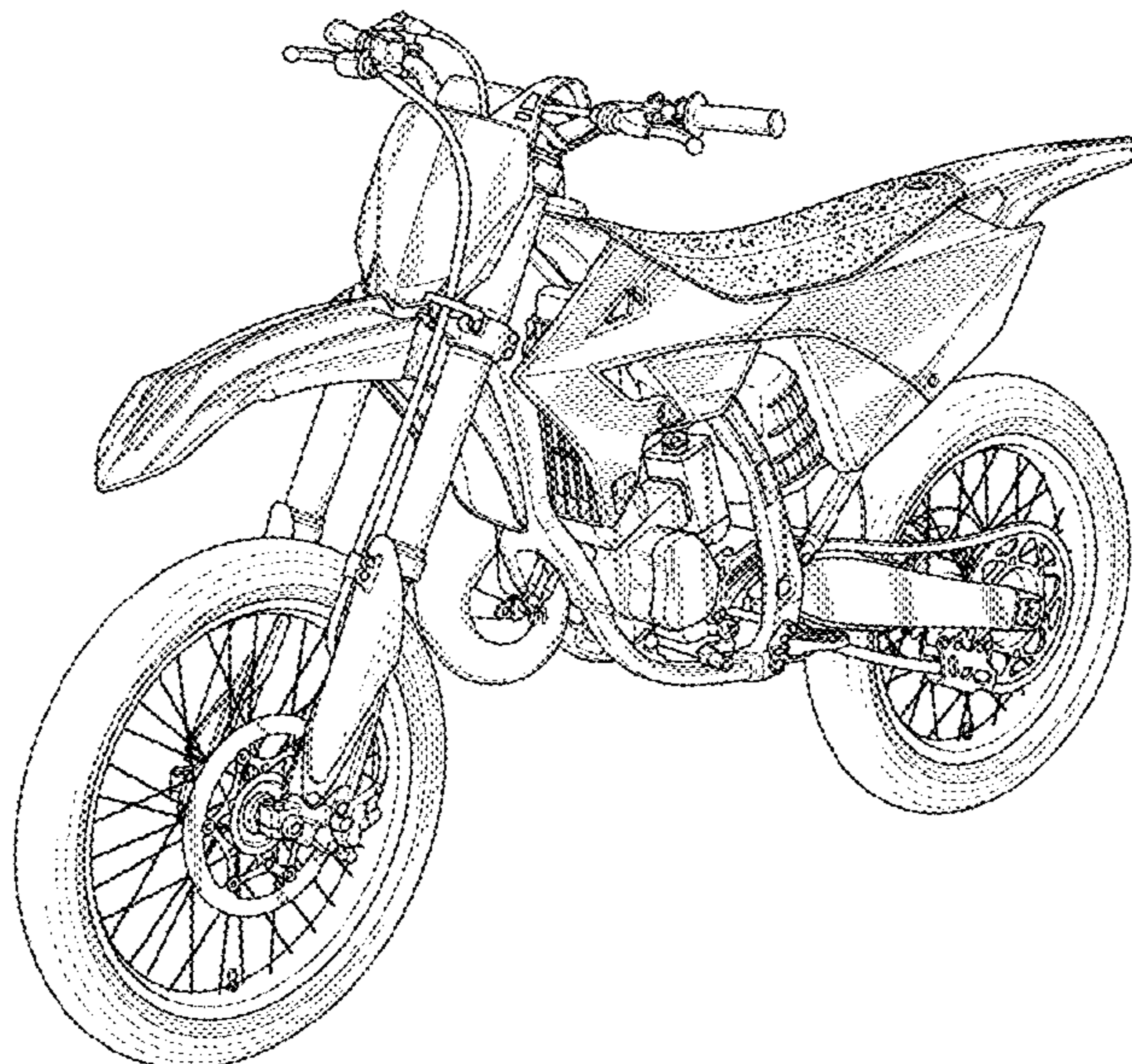
(57) **CLAIM**

The ornamental design for a motorcycle, as shown.

**DESCRIPTION**

FIG. 1 is a left side, front, perspective view of a motorcycle showing our new design;  
FIG. 2 is a right side, rear, perspective view thereof;  
FIG. 3 is a front elevation view thereof;  
FIG. 4 is a rear elevation view thereof;  
FIG. 5 is a right side elevation view thereof;  
FIG. 6 is a left side elevation view thereof;  
FIG. 7 is a top plan view thereof; and,  
FIG. 8 is a bottom plan view thereof.

**1 Claim, 8 Drawing Sheets**



(56)

**References Cited**

U.S. PATENT DOCUMENTS

2018/0127055 A1\* 5/2018 Ranalli ..... B60K 7/0007  
2020/0172196 A1\* 6/2020 Futamata ..... B62K 25/04  
2021/0354774 A1\* 11/2021 Kugele ..... B60L 50/66

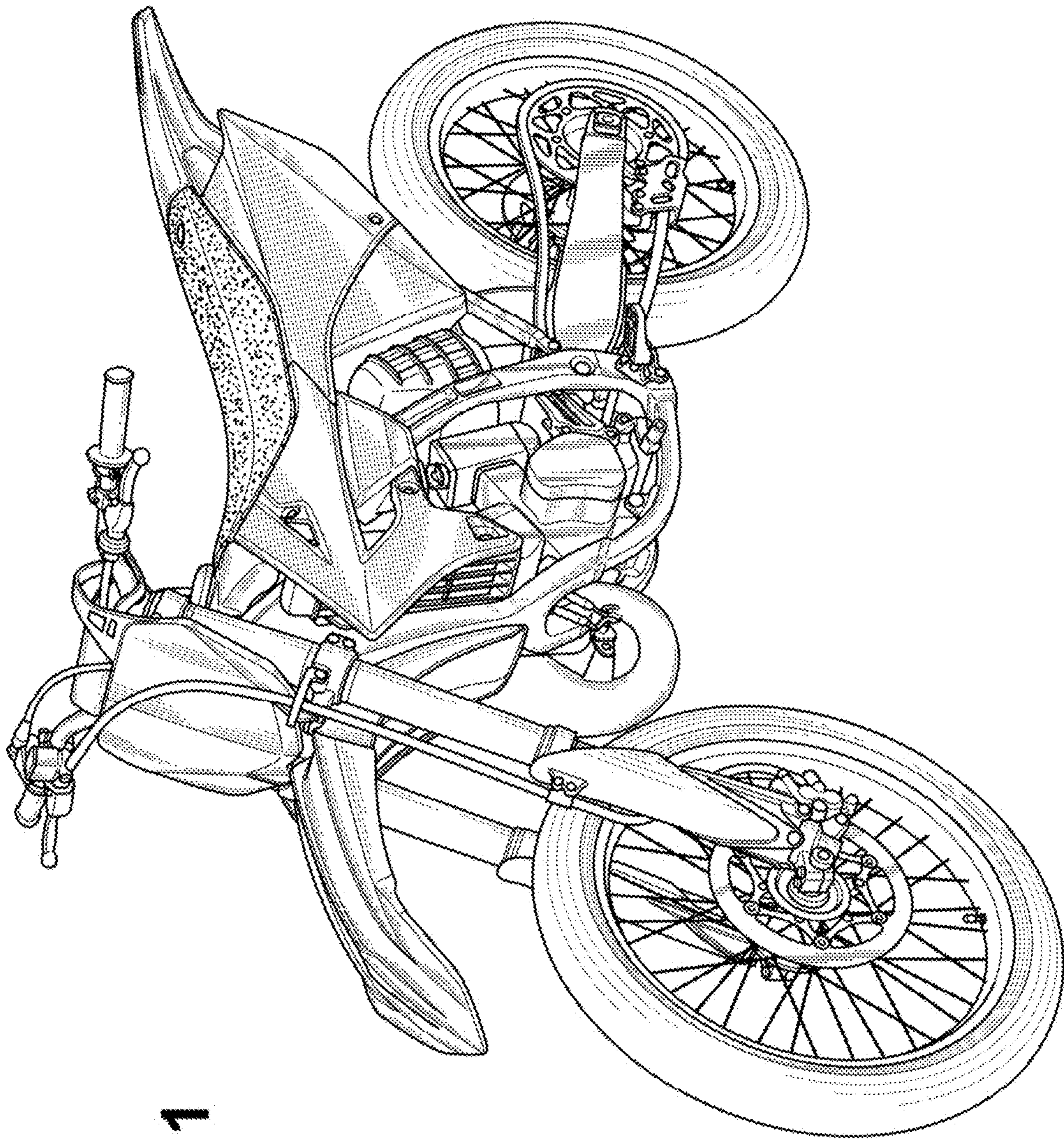
OTHER PUBLICATIONS

“2018 MX Bike Buyer’s Guide.” Dirt Bike Magazine., Jan. 2, 2018 [online], [retrieved on Sep. 27, 2022]. Retrieved from the Internet <URL: <https://dirtbikemagazine.com/2018-mx-bike-buyers-guide/>>.\*

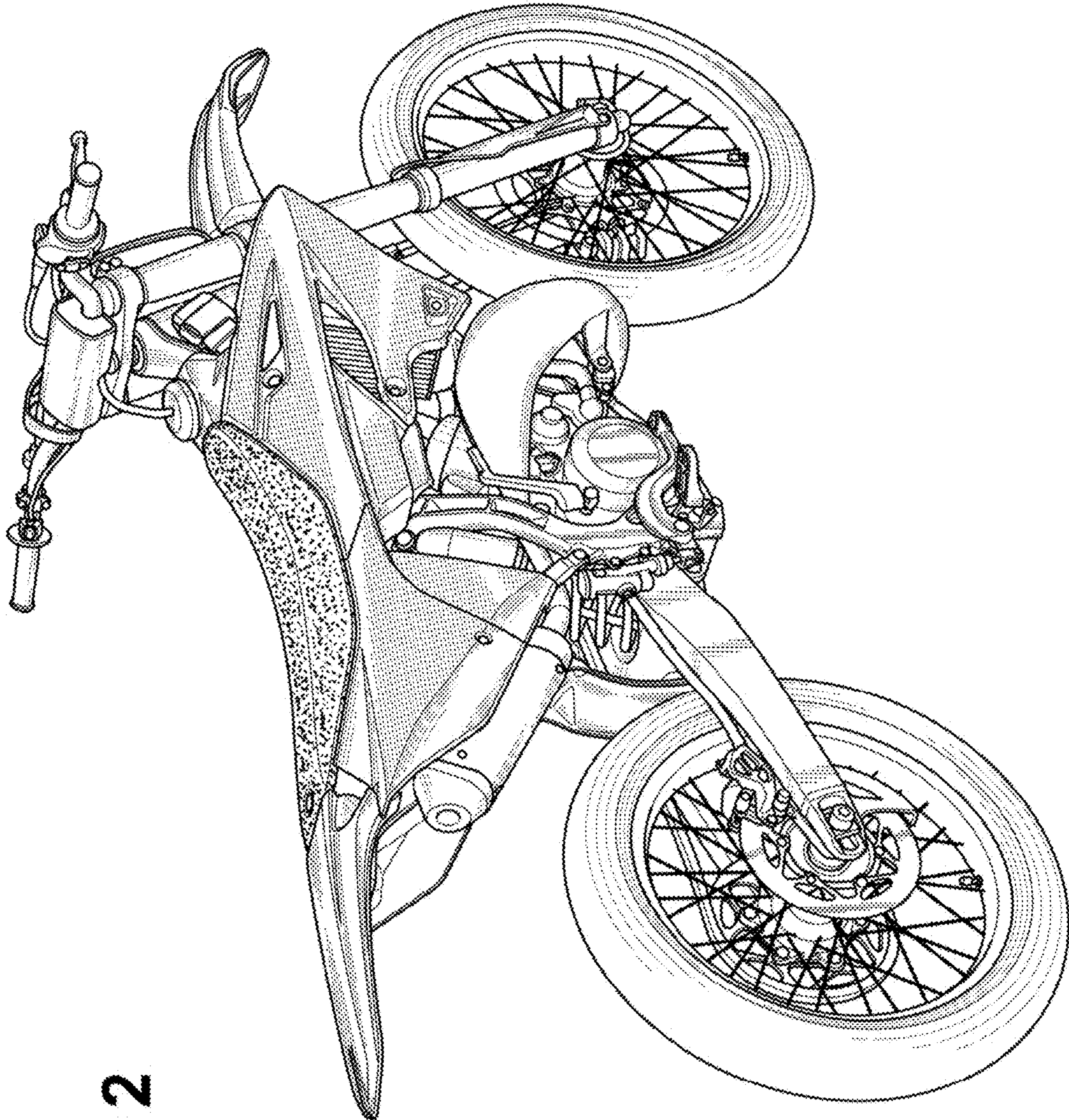
“DB10SA.” Tao Tao Motor., Oct. 20, 2020 [online], [retrieved on Sep. 27, 2022]. Retrieved from the Internet <URL: <http://www.taotaomotor.com/product/db10sa/>>.\*

Yamaha Revs Your Heart, “Adoption of big logo, etc. Coloring & graphics changed Releasing 2018 Model of 4 models for Enduro” YZ250X. (Jun. 30, 2017). English translation.

\* cited by examiner



**FIG. 1**



**FIG. 2**

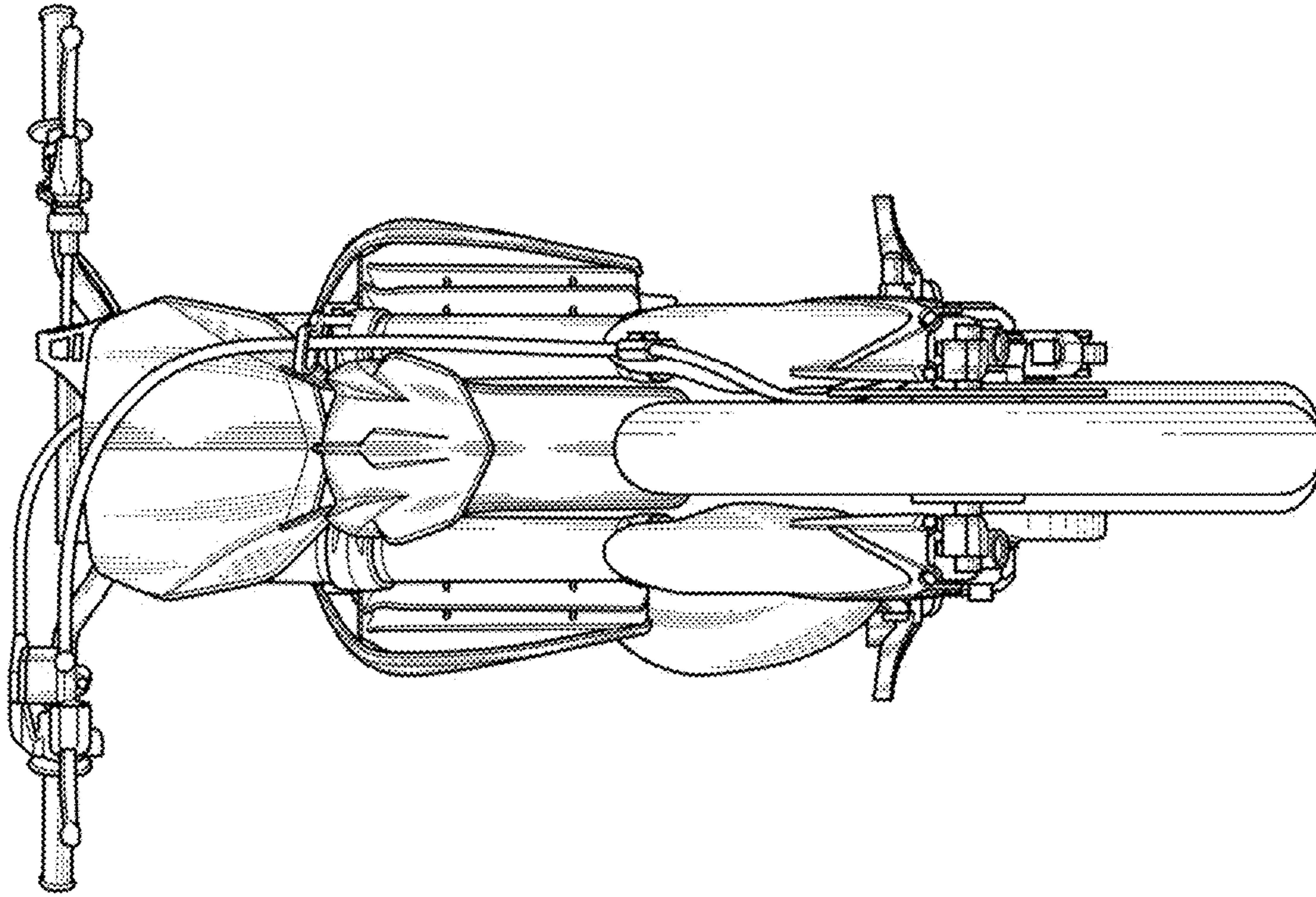
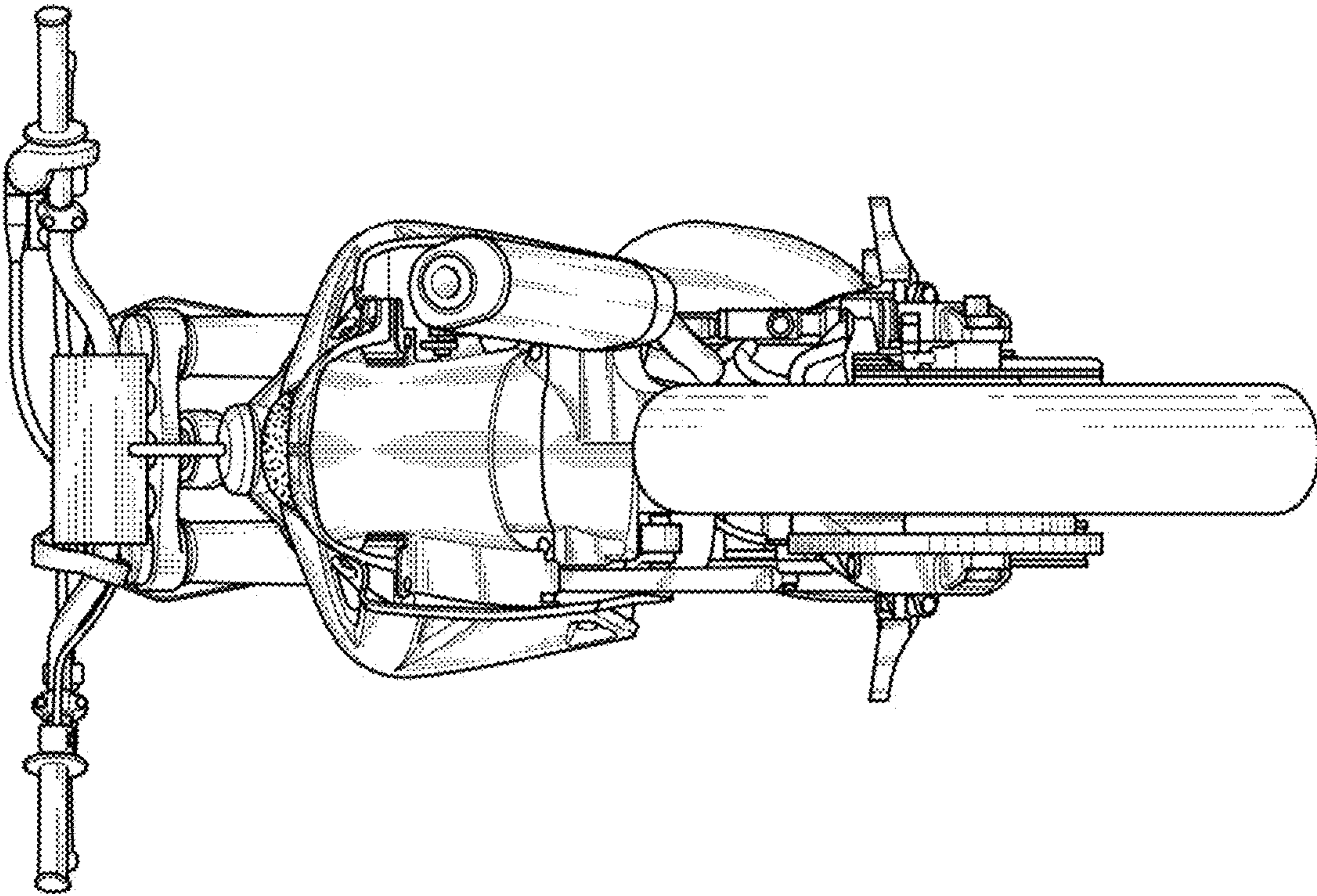


FIG. 3



**FIG. 4**

**FIG. 5**

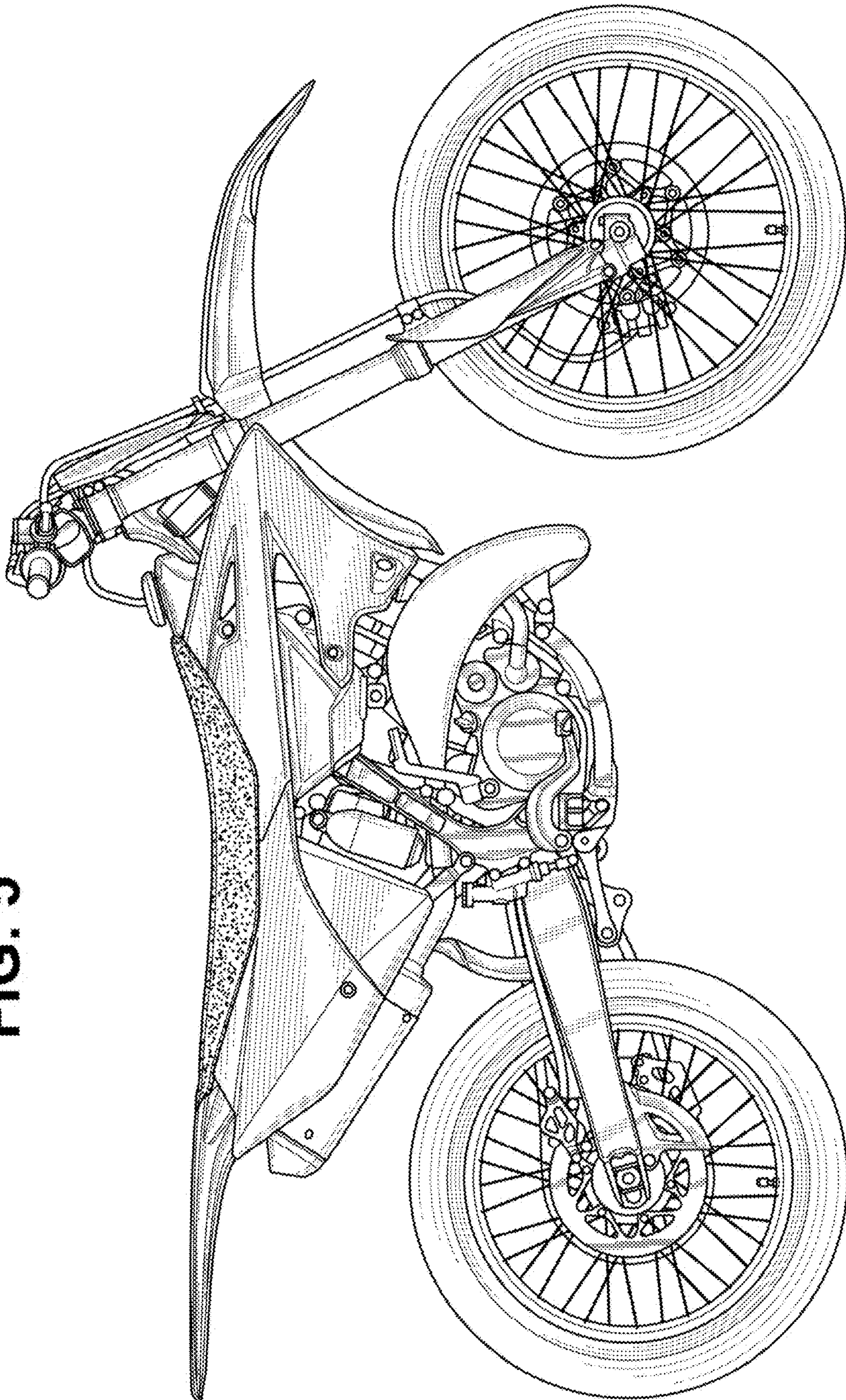
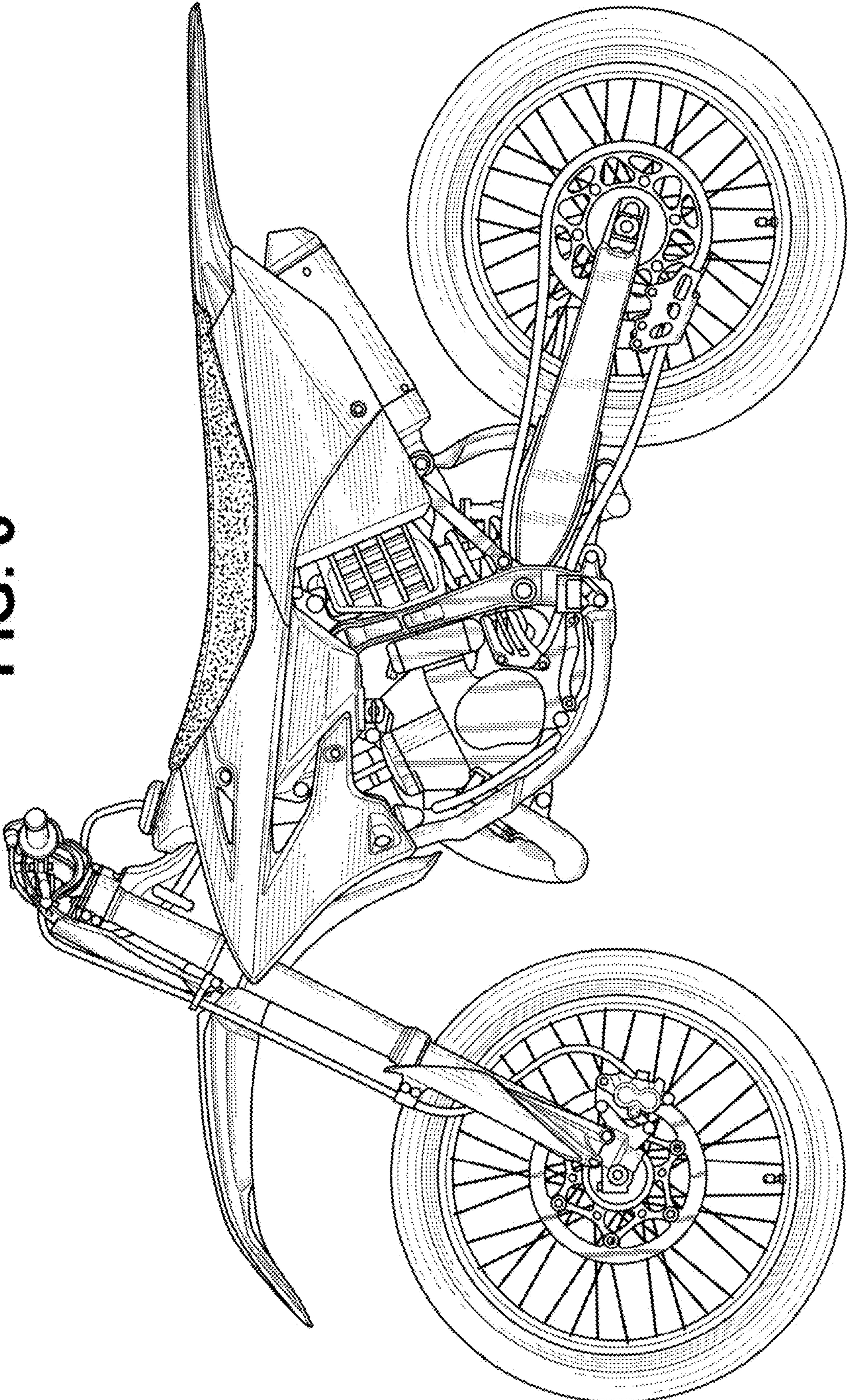
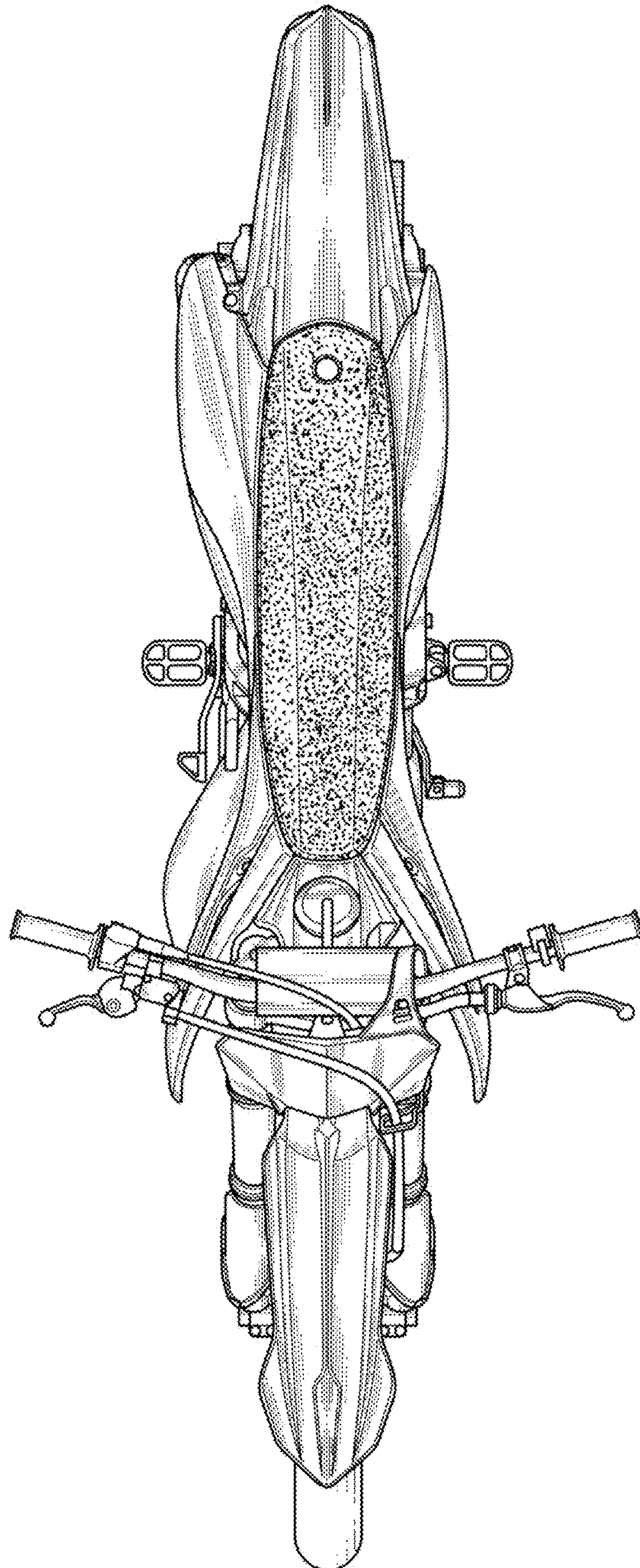


FIG. 6





**FIG. 7**



**FIG. 8**

