



US00D984318S

(12) **United States Design Patent**
Panel

(10) **Patent No.:** **US D984,318 S**

(45) **Date of Patent:** **** Apr. 25, 2023**

(54) **SCOOTER WITH SIDECAR**
(71) Applicant: **GLOBE 3 T, Maclas (FR)**
(72) Inventor: **Didier Panel, Veranne (FR)**
(**) Term: **15 Years**
(21) Appl. No.: **35/512,747**
(22) Filed: **Sep. 1, 2021**

7,857,324 B2 * 12/2010 Yun B62K 27/00
280/203
9,187,144 B2 * 11/2015 Yap B62K 15/008
D774,961 S * 12/2016 Allen D21/423
D778,806 S * 2/2017 Welford D12/423
D798,959 S * 10/2017 Le D21/423
D803,948 S * 11/2017 Chis D21/423
D832,931 S * 11/2018 Gudushauri D21/423
D846,031 S * 4/2019 Dröge D21/423
D896,897 S * 9/2020 Privitelli D21/423

(Continued)

(80) **Hague Agreement Data**

Int. Filing Date: **Sep. 1, 2021**
Int. Reg. No.: **DM/216589**
Int. Reg. Date: **Sep. 1, 2021**
Int. Reg. Pub. Date: **Oct. 15, 2021**

(51) **LOC (14) Cl.** **12-11**
(52) **U.S. Cl.**
USPC **D12/107**

(58) **Field of Classification Search**
USPC D12/1, 8, 108, 112, 113; D21/423,
D21/426-428, 435, 668-671
CPC B62K 3/002; B62K 27/00; B62K 9/00;
B62K 9/02; B62K 13/00; B62K 2202/00
See application file for complete search history.

(56) **References Cited**

U.S. PATENT DOCUMENTS

3,941,405 A * 3/1976 Vetter B62K 27/00
280/203
4,229,018 A * 10/1980 Chika B62K 27/02
296/205
4,385,770 A * 5/1983 Mitchell B62K 5/10
280/203
6,311,997 B1 * 11/2001 Lepley B62K 5/10
280/288.4
7,232,141 B1 * 6/2007 Russell B62K 27/00
280/203
D585,332 S * 1/2009 Marks D12/10
7,530,411 B2 * 5/2009 Huntsberger B62K 9/00
180/220

FOREIGN PATENT DOCUMENTS

FR 2741036 A1 * 5/1997 B62K 27/00
SU 489672 A * 1/1976

OTHER PUBLICATIONS

“Sophisticated Sidecar Bicycles” Trendhunter, posted date Aug. 21, 2015 [online], [retrieved on Aug. 23, 2022]. Retrieved from the Internet <URL: <https://www.trendhunter.com/trends/side-car-bike>> (Year: 2015).*

(Continued)

Primary Examiner — Darlington Ly
Assistant Examiner — Nasim Abdulaziz Ali

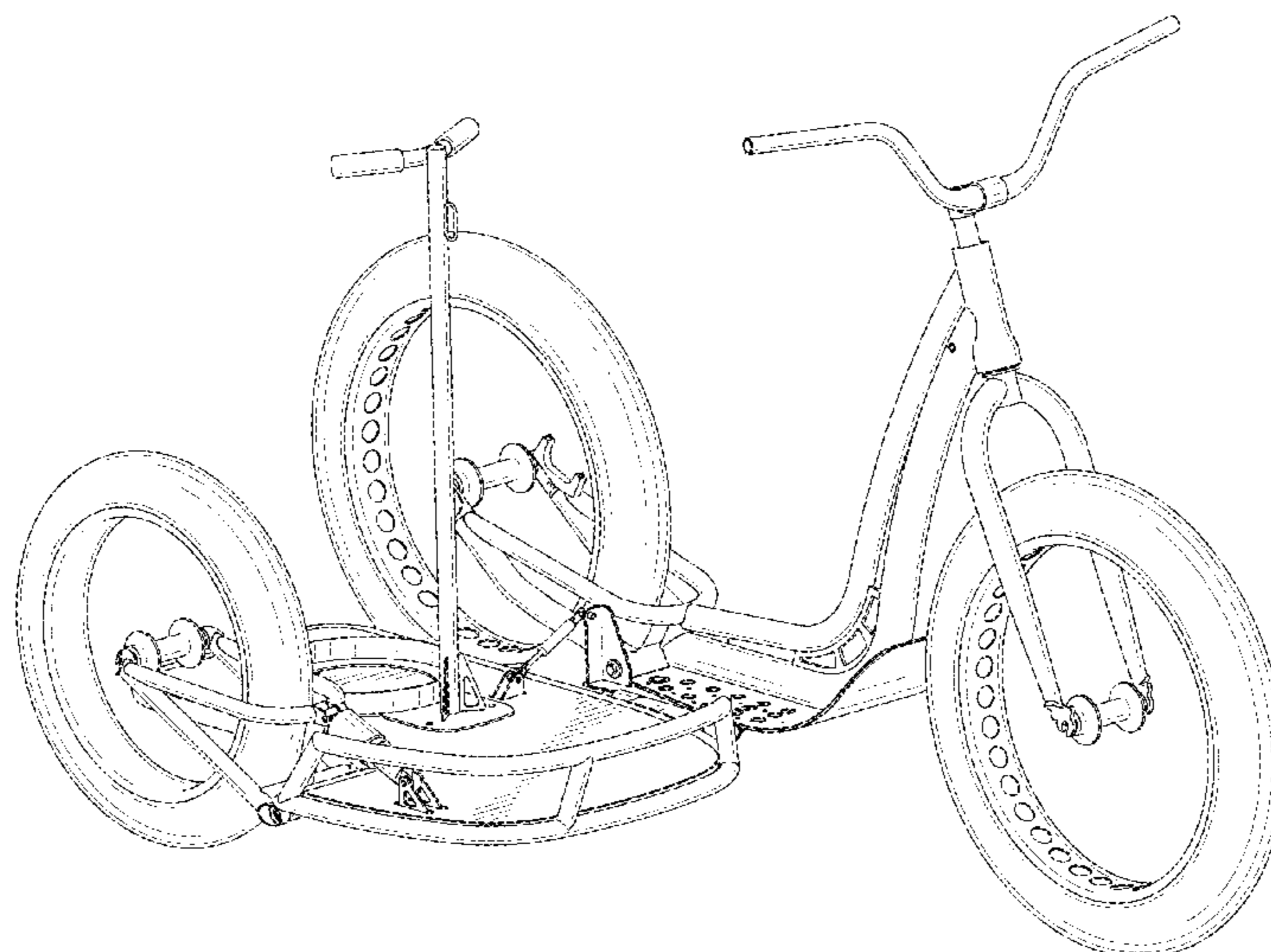
(57) **CLAIM**

The ornamental design for a scooter with sidecar, as shown and described.

DESCRIPTION

1. Sidecar
1.1 is a front elevation view of a scooter with sidecar embodying my new design;
1.2 is a rear elevation view thereof;
1.3 is a left side elevation view thereof;
1.4 is a right side elevation view thereof;
1.5 is a top plan view thereof;
1.6 is a bottom plan view thereof; and
1.7 is a front and left side perspective view thereof.

1 Claim, 7 Drawing Sheets



(56)

References Cited

U.S. PATENT DOCUMENTS

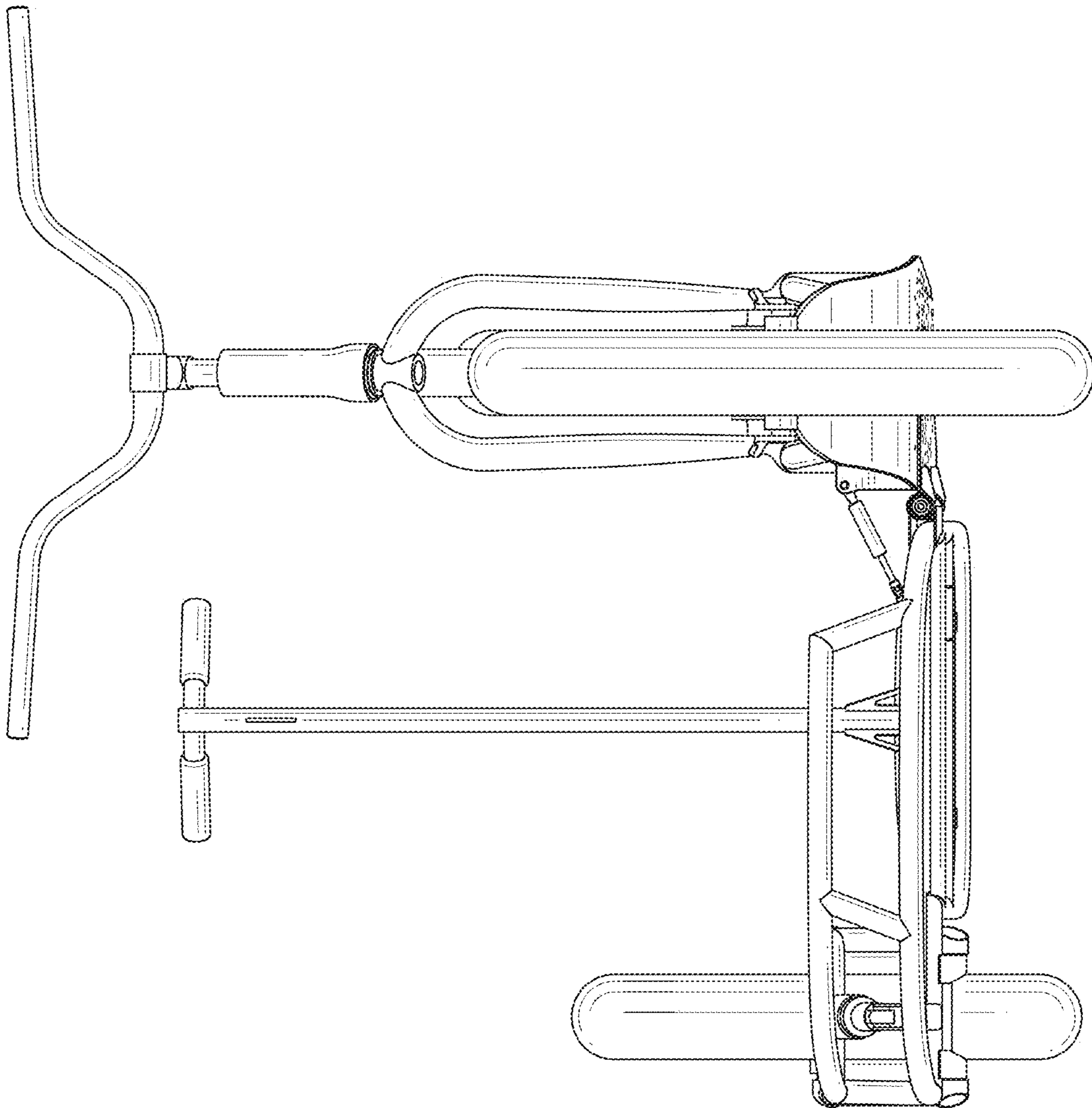
D931,944 S * 9/2021 Zhu D21/423

OTHER PUBLICATIONS

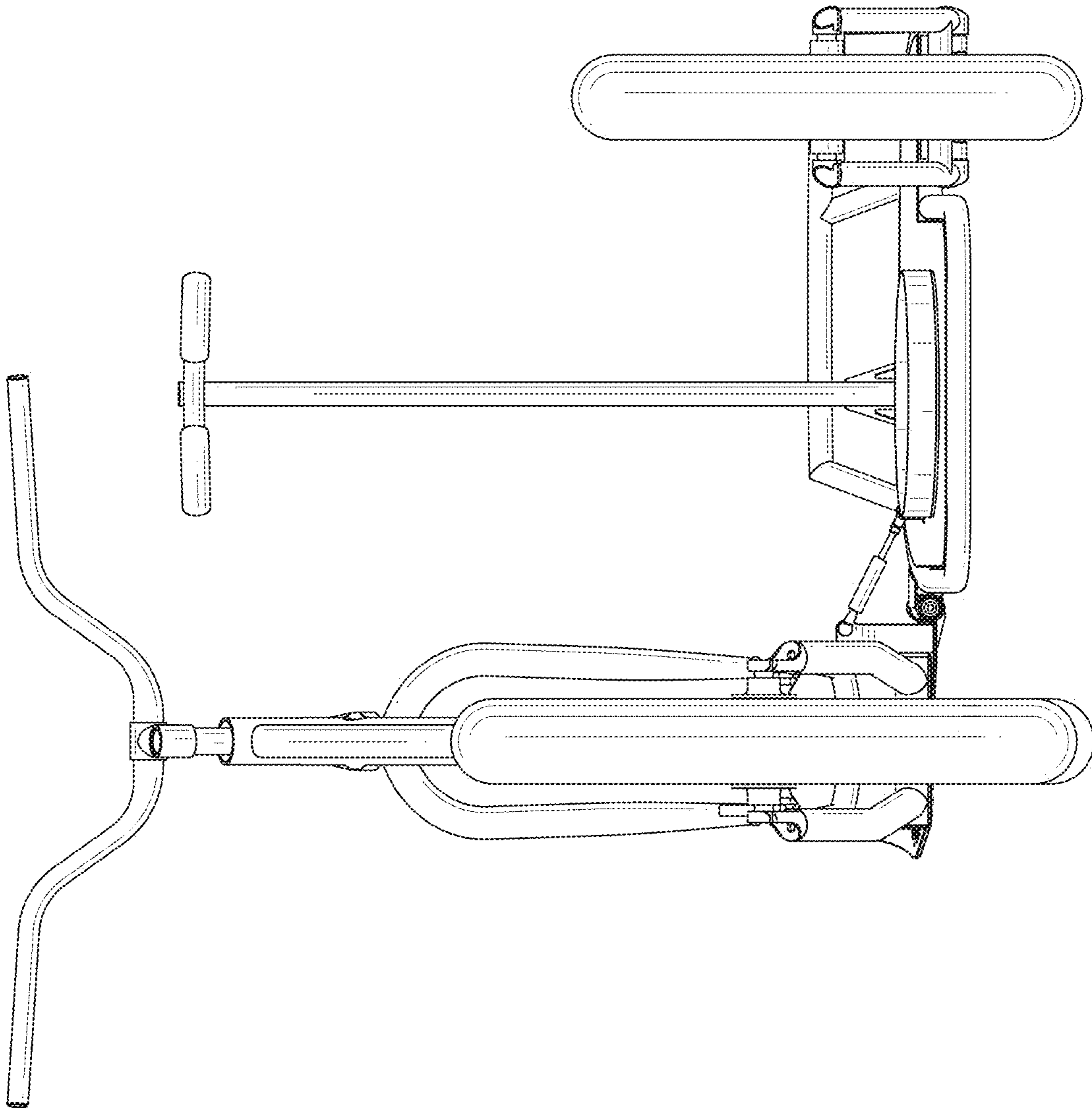
“Bicycle Sidecars” Maddogs., posted date Sep. 26, 2017 [online], [retrieved on Aug. 23, 2022]. Retrieved from the Internet <URL: <https://maddogsandenglishmen.com/sidecars>> (Year: 2017).*

“32-Years-Owned 1932 BSA W32-6 w/Globe Sidecar” The Birmingham Small Arms., posted date Aug. 27, 2020 [online], [retrieved on Aug. 23, 2022]. Retrieved from the Internet <URL: <https://bringatrailer.com/listing/1932-bsa-w32-6/>> (Year: 2020).*

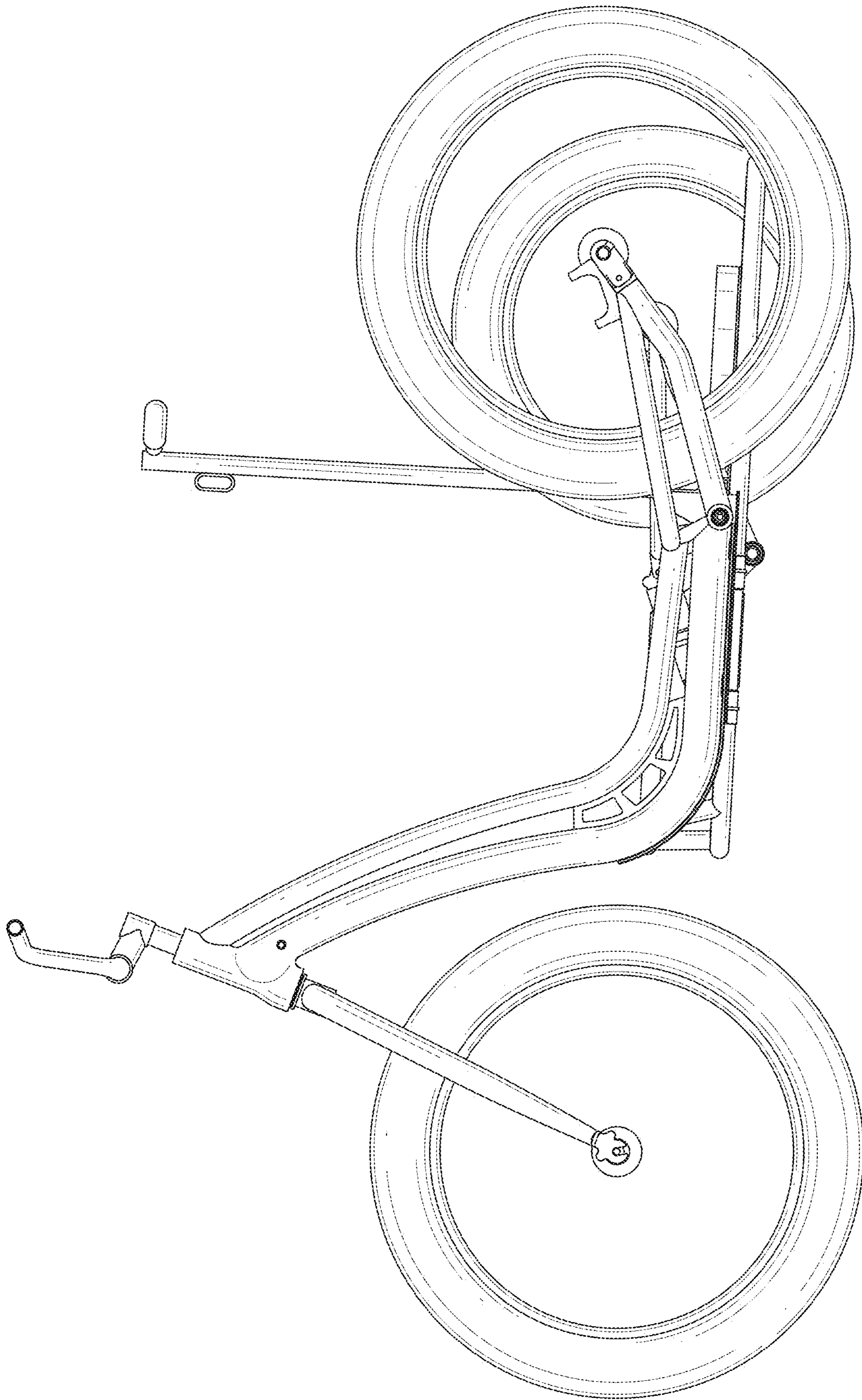
* cited by examiner



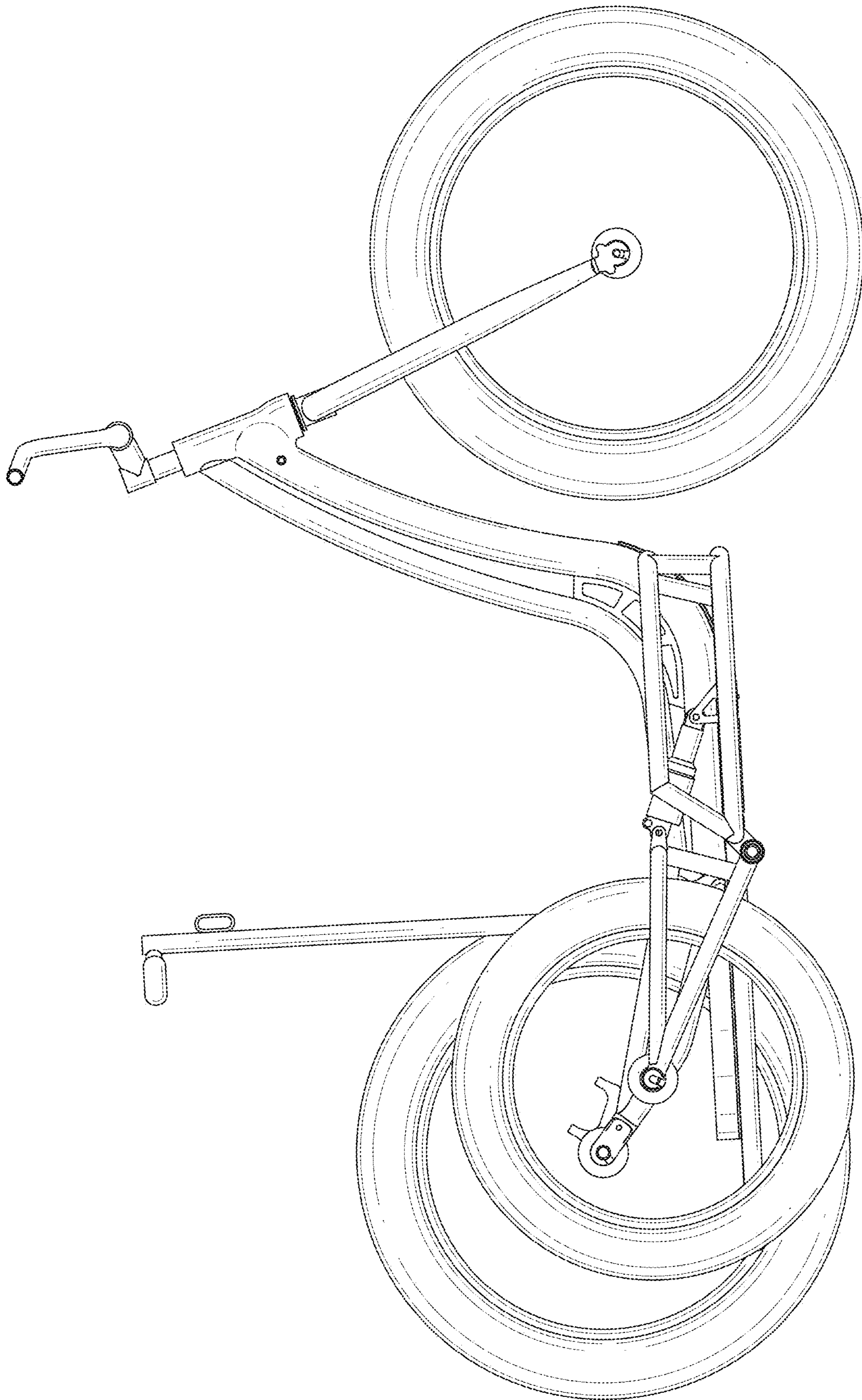
1.1



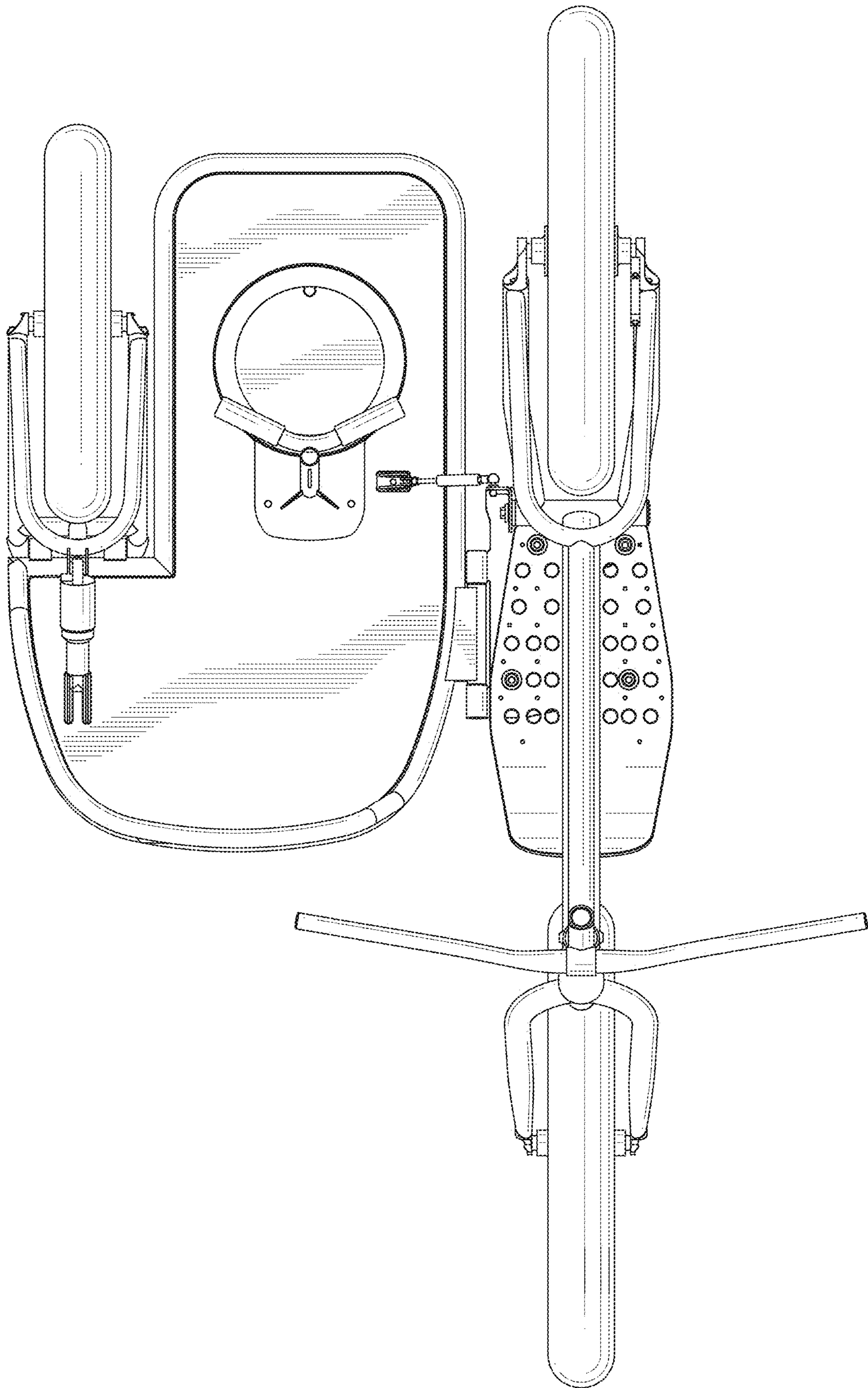
1.2



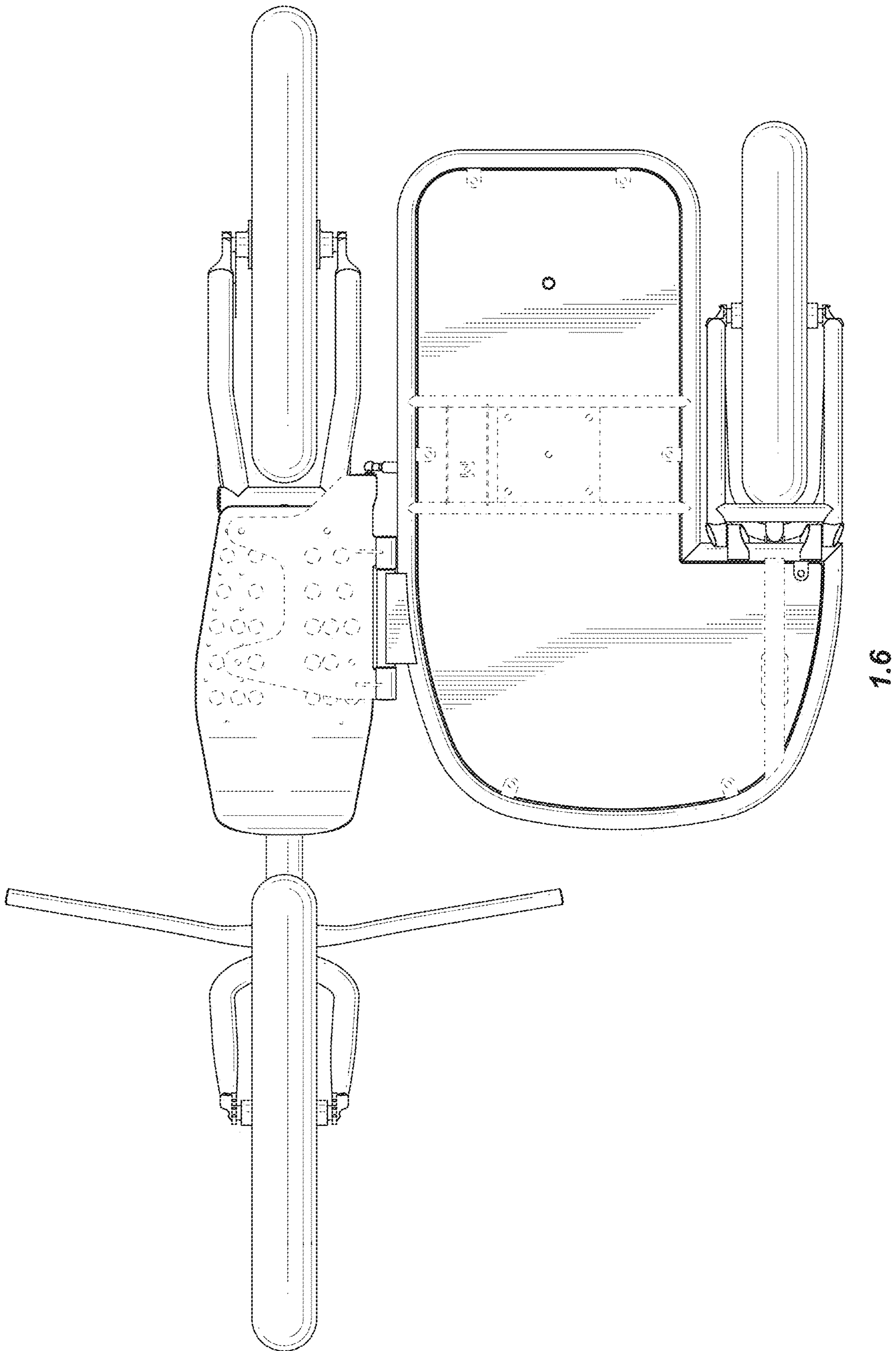
1.3

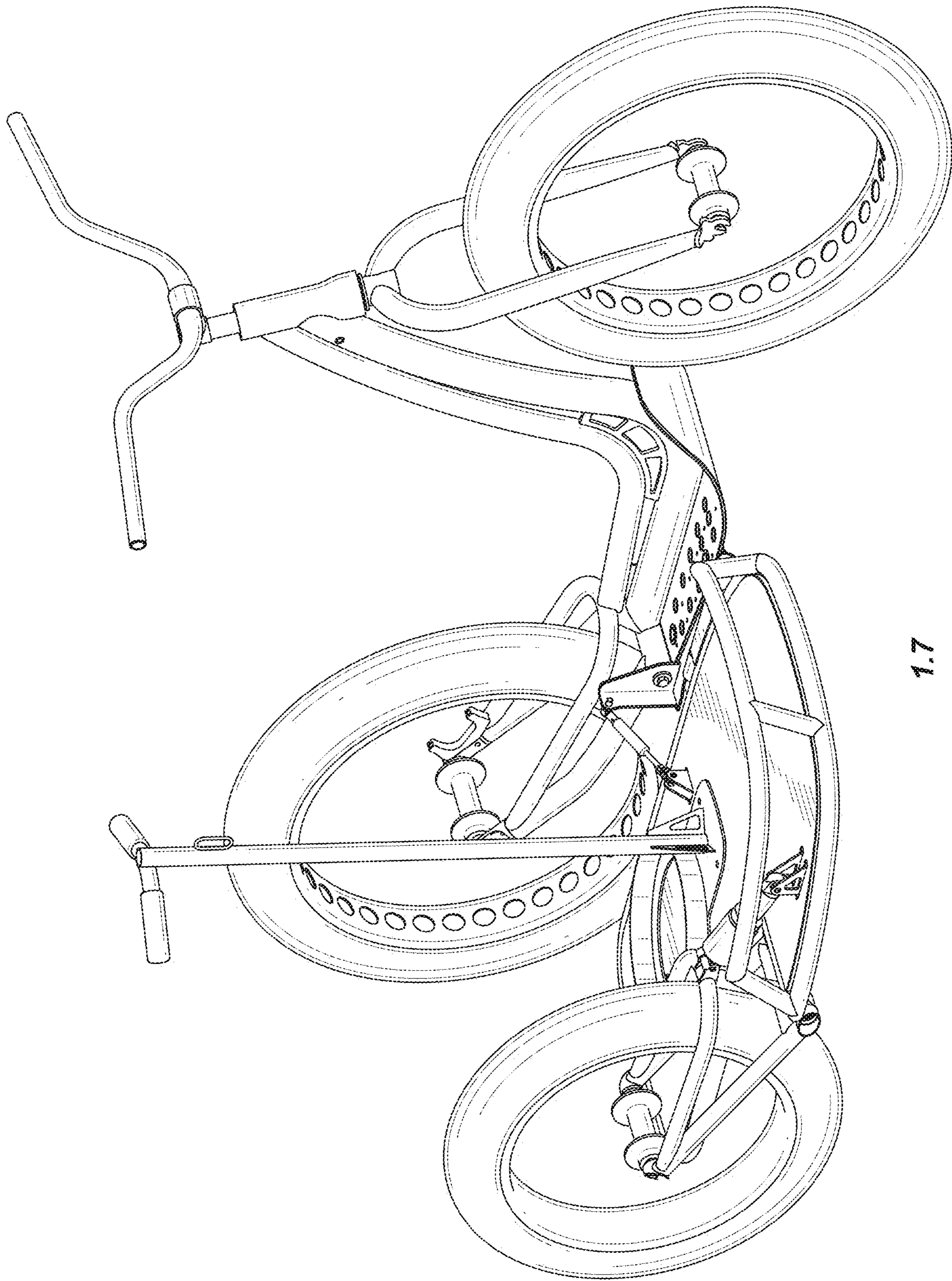


1.4



1.5





1.7