



US00D984315S

(12) **United States Design Patent**
Lavi

(10) **Patent No.:** **US D984,315 S**
(45) **Date of Patent:** **** Apr. 25, 2023**

(54) **CHASSIS FRAME FOR ALL-TERRAIN VEHICLE**

(71) Applicant: **M.X Toys Ltd**, Kochav Yair (IL)

(72) Inventor: **Oren Lavi**, Kochav Yair (IL)

(73) Assignee: **M.X TOYS LTD**, Kochav Yair (IL)

(**) Term: **15 Years**

(21) Appl. No.: **35/513,468**

(22) Filed: **Dec. 23, 2021**

(80) **Hague Agreement Data**

Int. Filing Date: **Dec. 23, 2021**

Int. Reg. No.: **DM/218441**

Int. Reg. Date: **Dec. 23, 2021**

Int. Reg. Pub. Date: **Jan. 28, 2022**

(51) **LOC (14) Cl.** **12-08**

(52) **U.S. Cl.**

USPC **D12/87**; D21/562

(58) **Field of Classification Search**

USPC D12/1, 82, 86, 87, 90, 91, 92, 93, 223,
D12/400, 401, 406, 412, 414; D21/424,
D21/433, 434, 562

CPC B62D 21/02; B62D 21/15; B62D 21/183;
B62D 23/005; B62D 65/02; B60K
7/0007; A63G 25/00; B60J 1/06

See application file for complete search history.

(56) **References Cited**

U.S. PATENT DOCUMENTS

D268,746 S * 4/1983 Greenhalgh D12/88
4,735,275 A * 4/1988 Tsukahara B62K 5/027
280/282

5,855,250 A * 1/1999 Nishi B62K 5/01
280/798

6,682,096 B2 * 1/2004 Kajikawa B62K 5/027
280/798

6,702,058 B2 * 3/2004 Ishii B62K 15/00
180/908

D503,658 S * 4/2005 Lu D12/87

D564,410 S * 3/2008 Lepage D12/87

D586,695 S * 2/2009 Burns D12/87

D639,207 S * 6/2011 Danisi D12/82

D642,960 S * 8/2011 Berrier D12/82

D829,831 S * 10/2018 Redlin D21/562

D857,555 S * 8/2019 Ewing D21/562

D908,535 S * 1/2021 Ying D21/562

* cited by examiner

Primary Examiner — Cary M Robinson

Assistant Examiner — Adam C Mager

(74) *Attorney, Agent, or Firm* — Pearl Cohen Zedek
Latzer Baratz LLP

(57) **CLAIM**

The ornamental design for a chassis frame for all-terrain vehicle (ATV), as shown and described.

DESCRIPTION

1. Chassis frame for all-terrain vehicle (ATV)

1.1 : Front

1.2 : Back

1.3 : Right

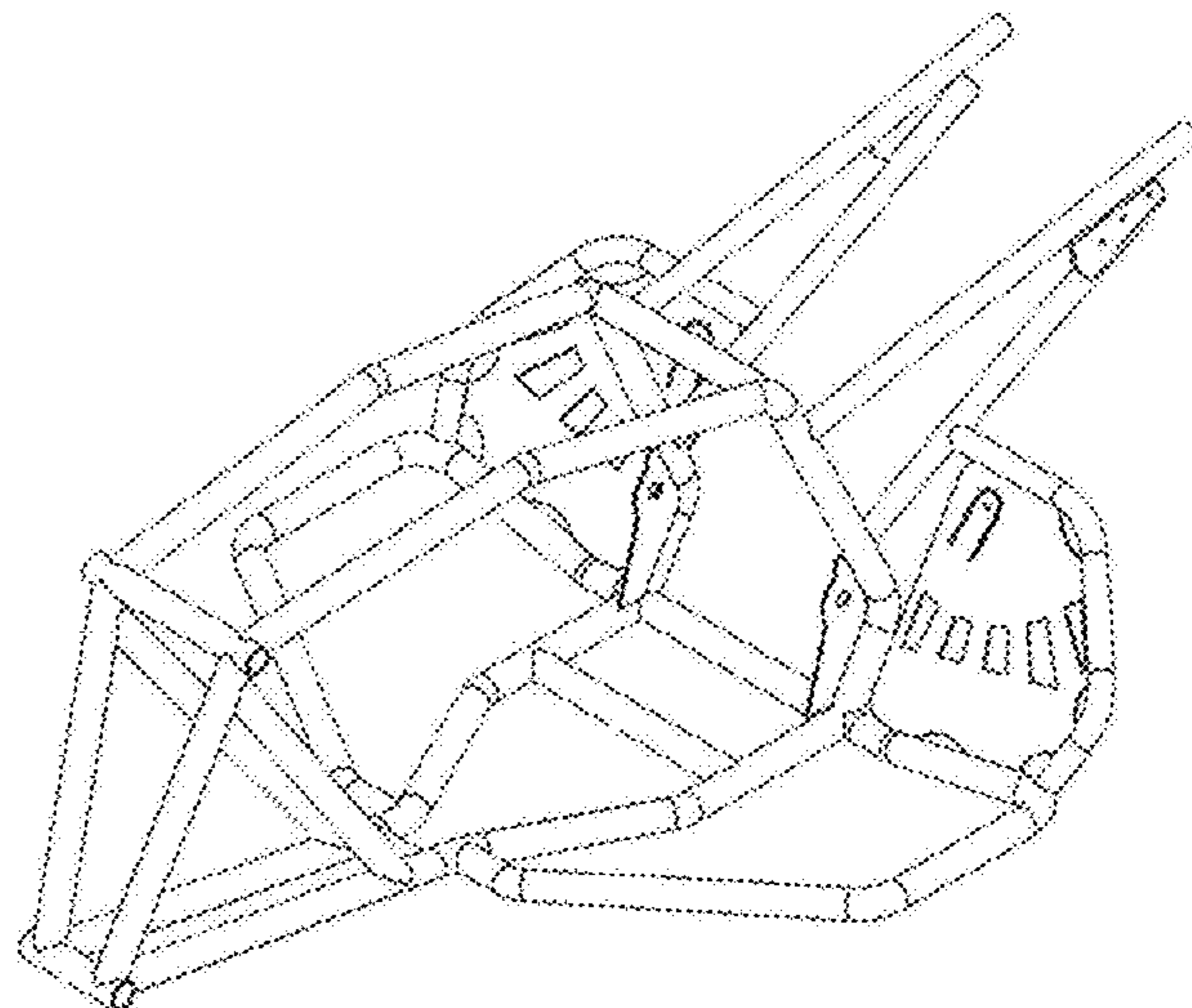
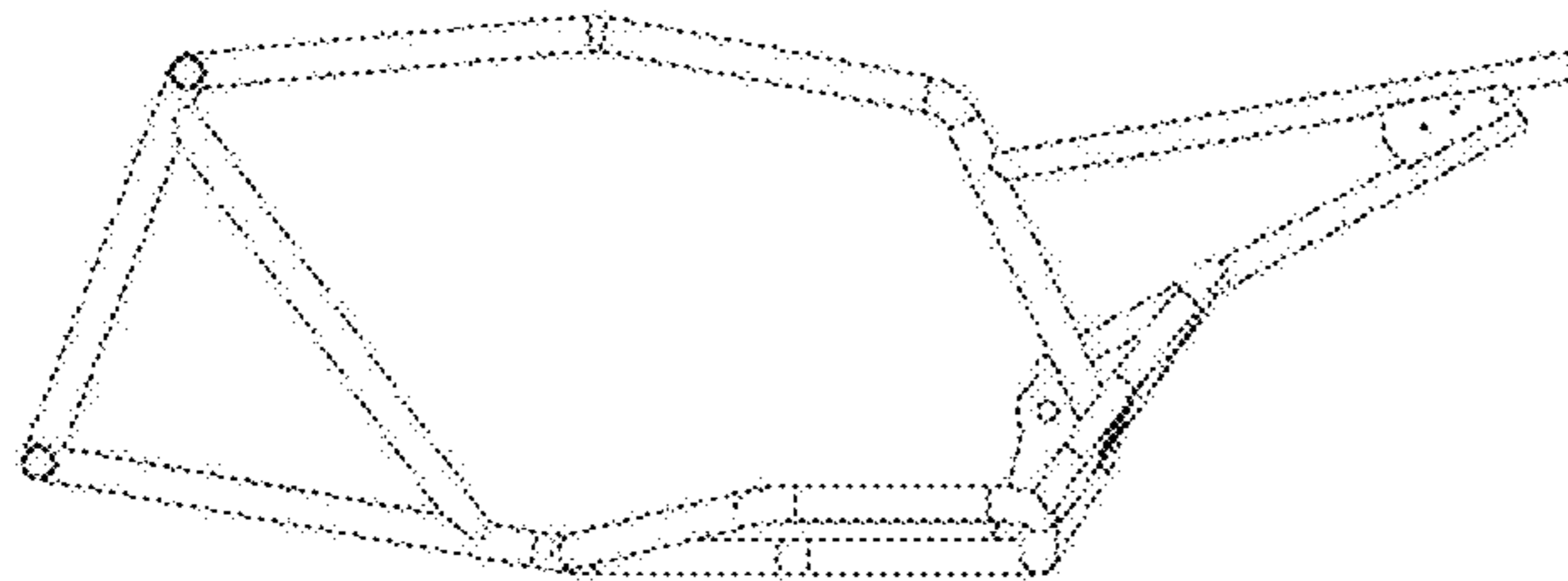
1.4 : Top

1.5 : Bottom

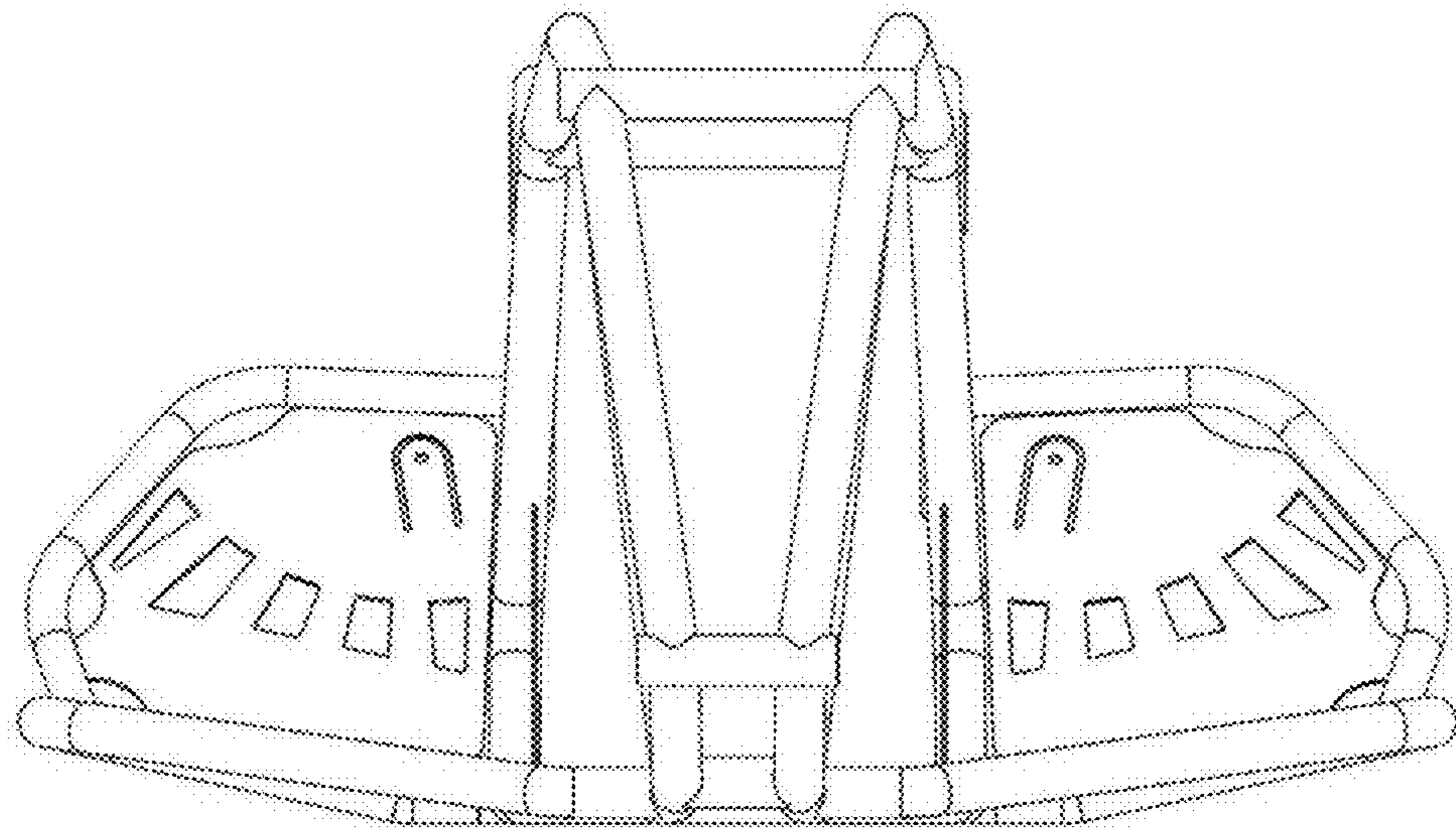
1.6 : Perspective

1.7 : Perspective

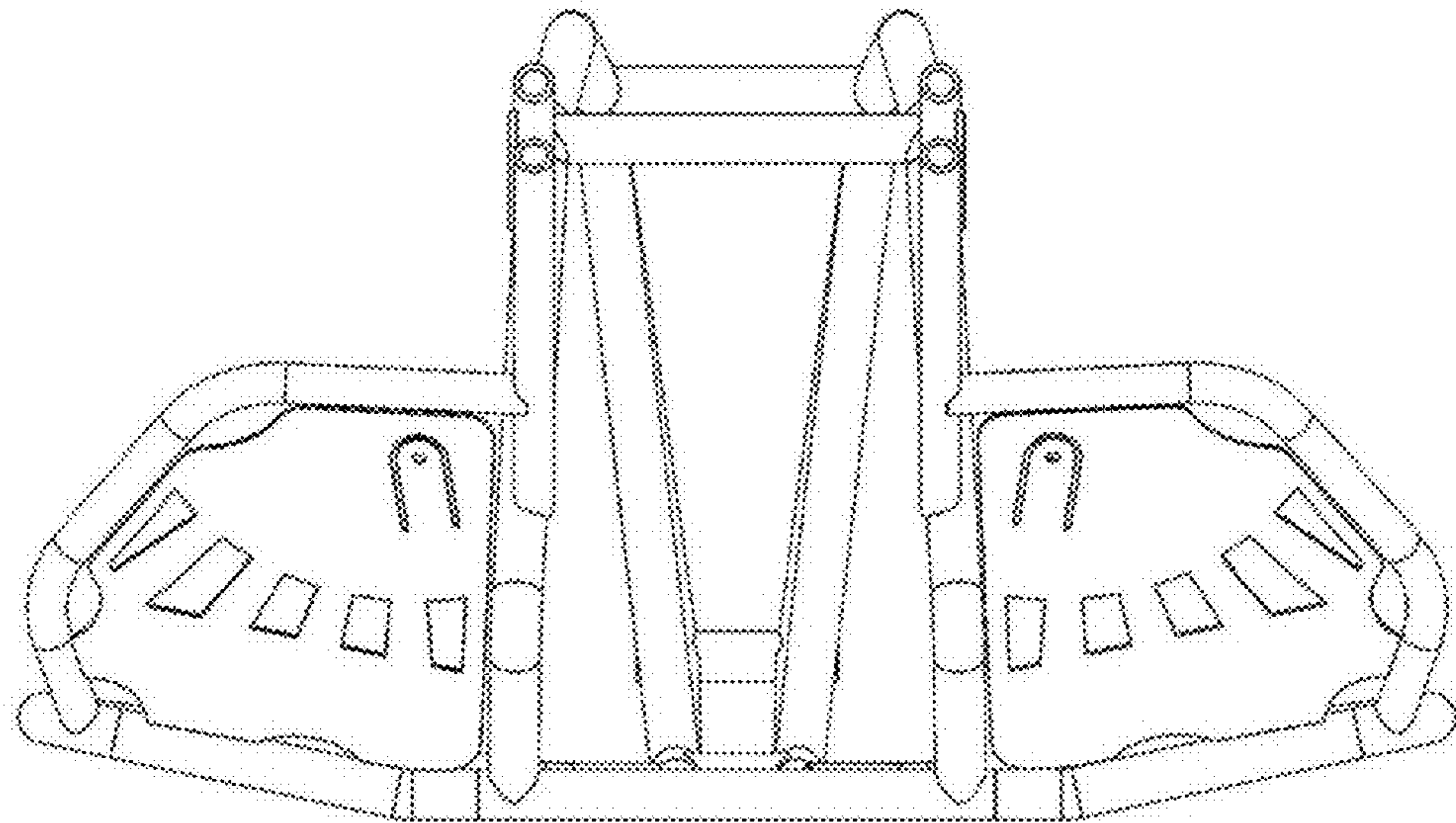
1 Claim, 7 Drawing Sheets



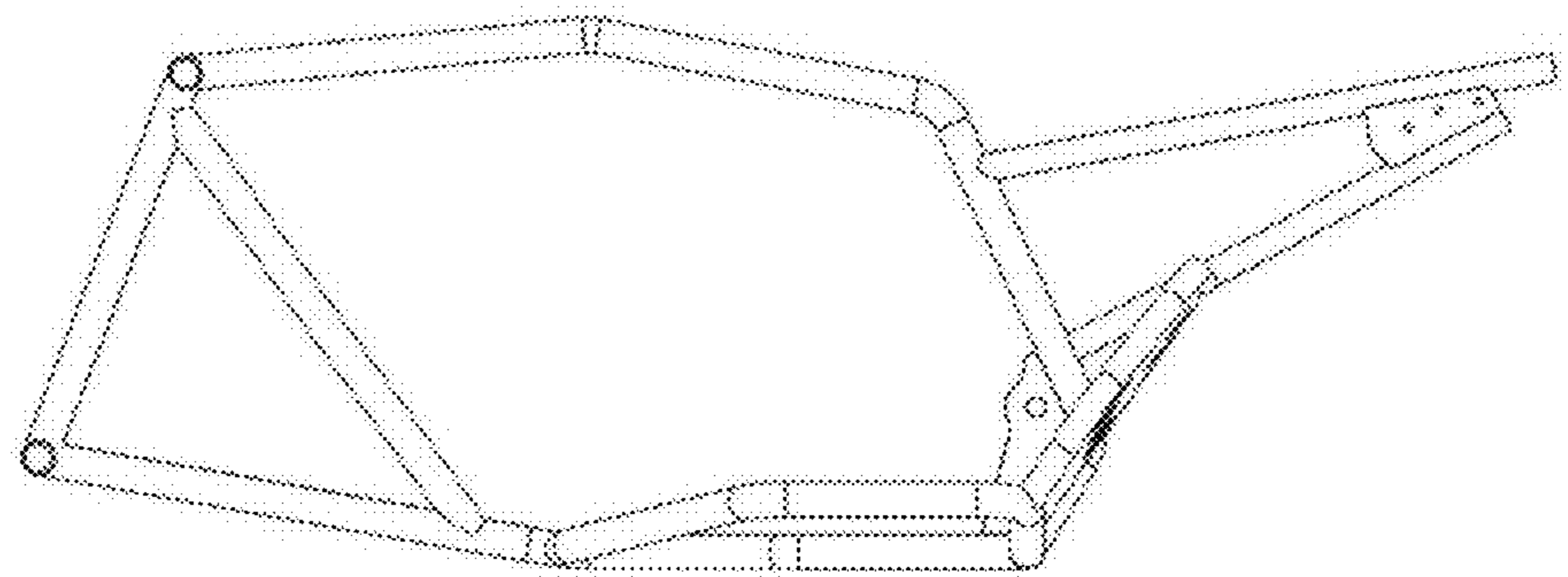
1.1



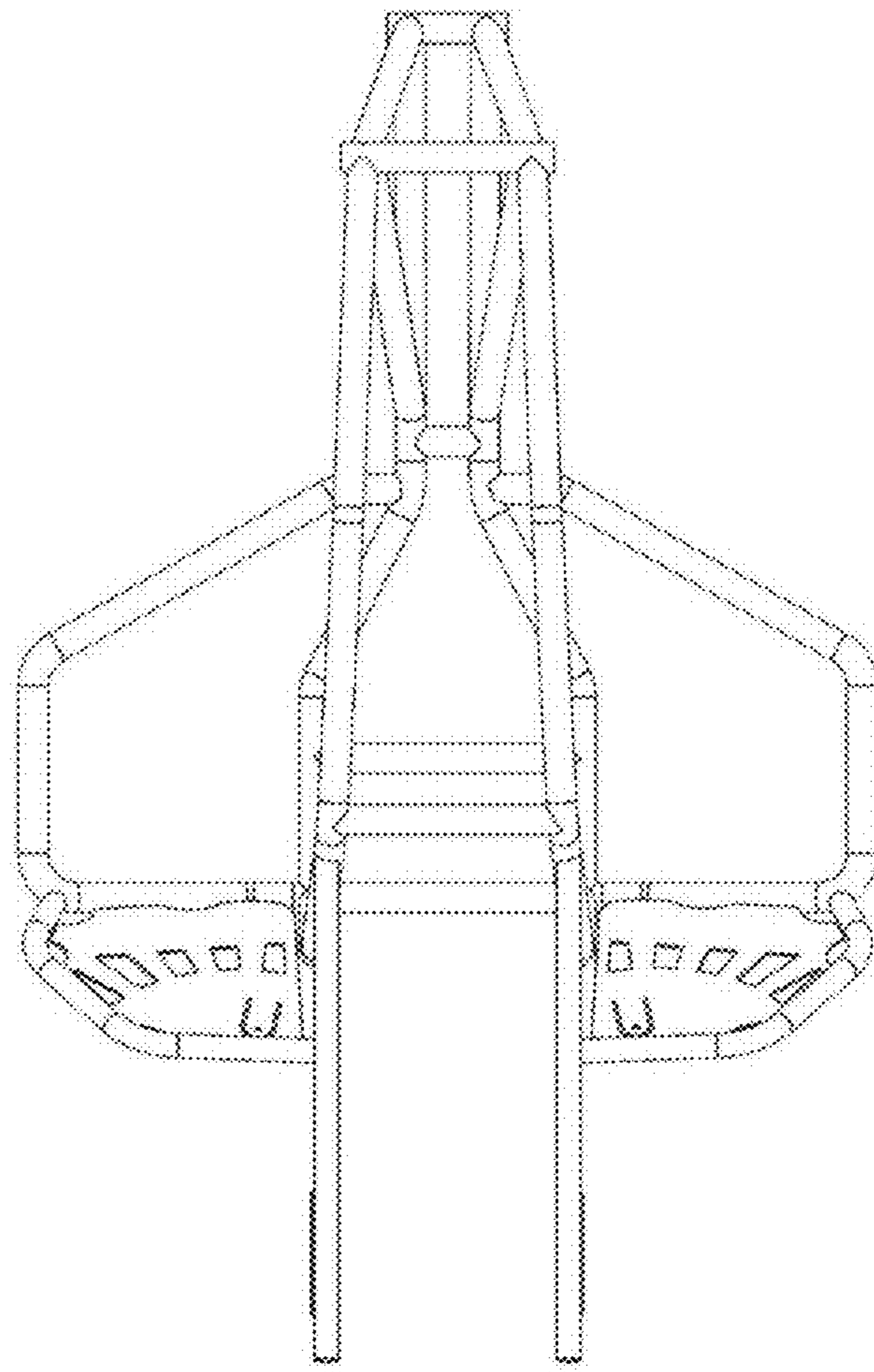
1.2



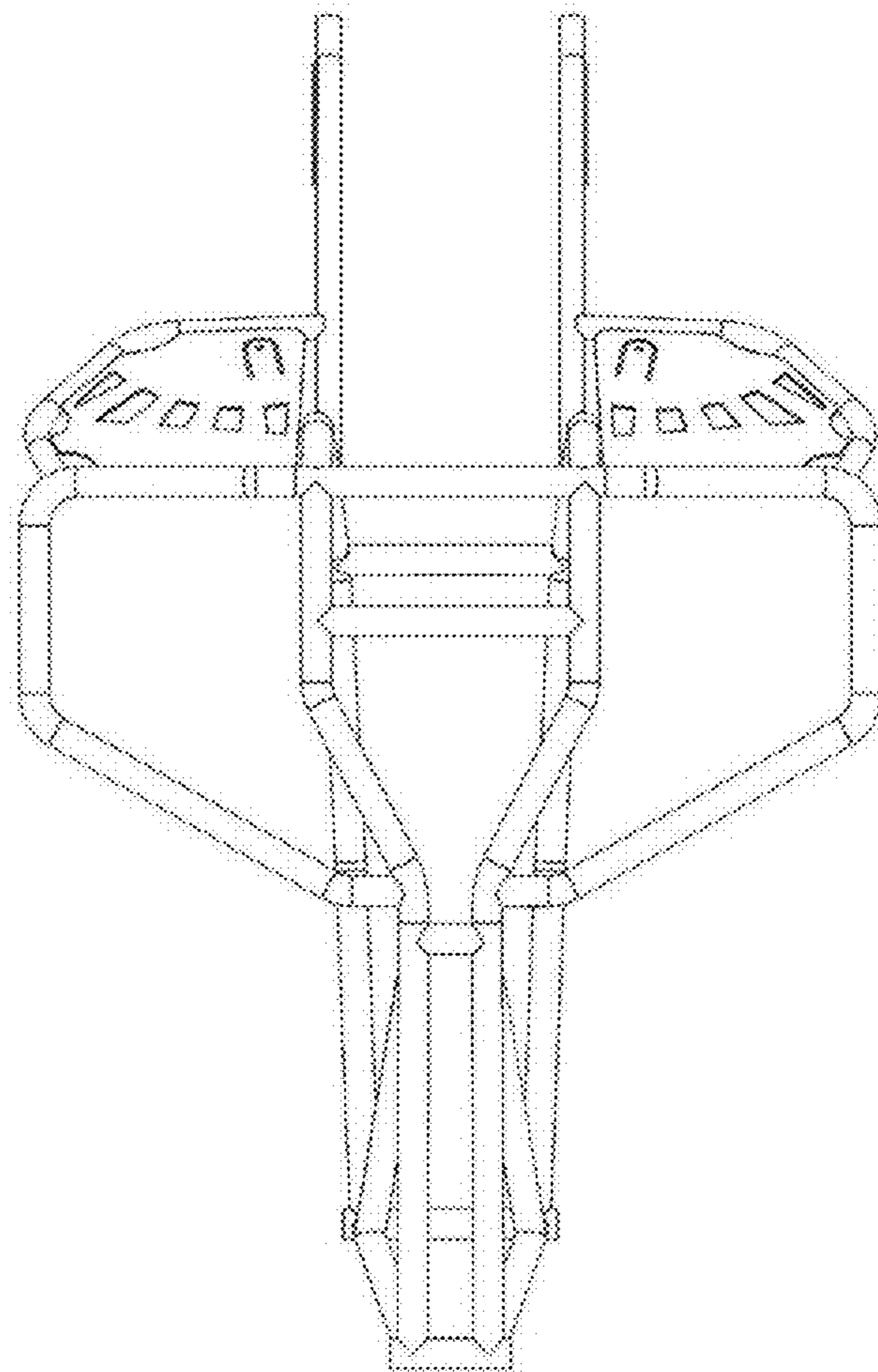
1.3



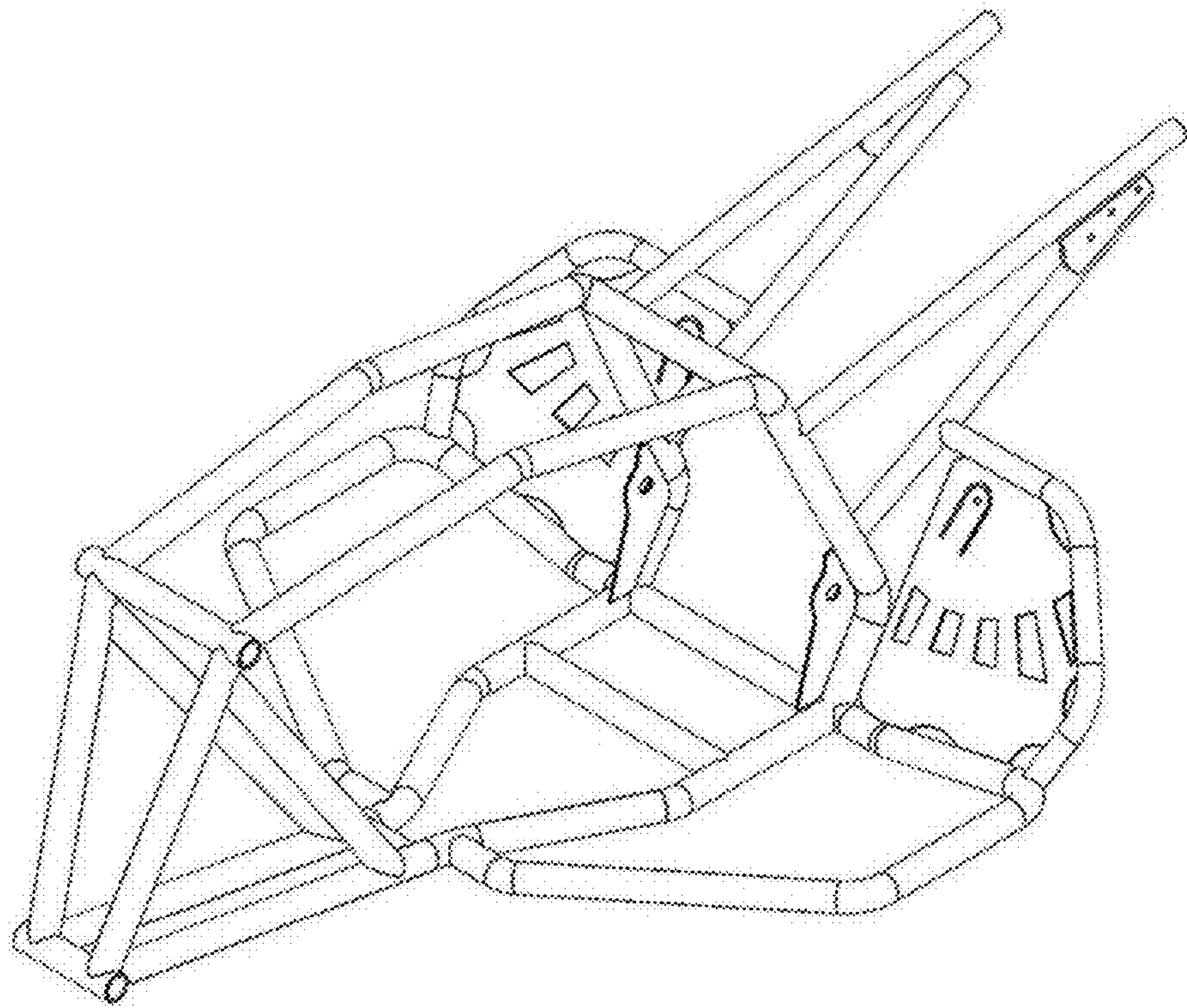
1.4



1.5



1.6



1.7

