



US00D984313S

(12) **United States Design Patent**
Krezel et al.

(10) **Patent No.:** **US D984,313 S**
(45) **Date of Patent:** **** *Apr. 25, 2023**

(54) **BELT BUCKLE**

(71) Applicant: **Arcade Belts, Inc.**, Olympic Valley, CA (US)

(72) Inventors: **Brian Michael Krezel**, Bozeman, MT (US); **Sean Jun Nemoto**, Portland, OR (US); **Scott Robert Layton**, Portland, OR (US); **Nathan Ross Nalevanko**, Portland, OR (US)

(73) Assignee: **Arcade Belts, Inc.**, Olympic Valley, CA (US)

(*) Notice: This patent is subject to a terminal disclaimer.

(**) Term: **15 Years**

(21) Appl. No.: **29/777,152**

(22) Filed: **Apr. 2, 2021**

(51) **LOC (14) Cl.** **02-07**

(52) **U.S. Cl.**
USPC **D11/218**

(58) **Field of Classification Search**
USPC D11/200, 214–216, 218, 220; D8/354, D8/382, 383; D30/151–153; D2/627–629; D3/214, 215, 327
(Continued)

(56) **References Cited**

U.S. PATENT DOCUMENTS

4,150,464 A * 4/1979 Tracy A44B 11/266
24/615
4,369,553 A * 1/1983 Yuda A44B 11/2592
24/618

(Continued)

OTHER PUBLICATIONS

Arcade Belts Mens Capture Belts, Date Available: Oct. 19, 2017, Amazon Online, Site Visited on Nov. 1, 2022: <https://www.amazon.com/Arcade-A1240-Adventure-Belt-Static/dp/B076KSCQW8/> (Year: 2017).*

(Continued)

Primary Examiner — Llorelys Martinez

Assistant Examiner — Nicole M. Leech

(74) *Attorney, Agent, or Firm* — Lapple Ubell IP Law, LLP; Matthew C. Lapple

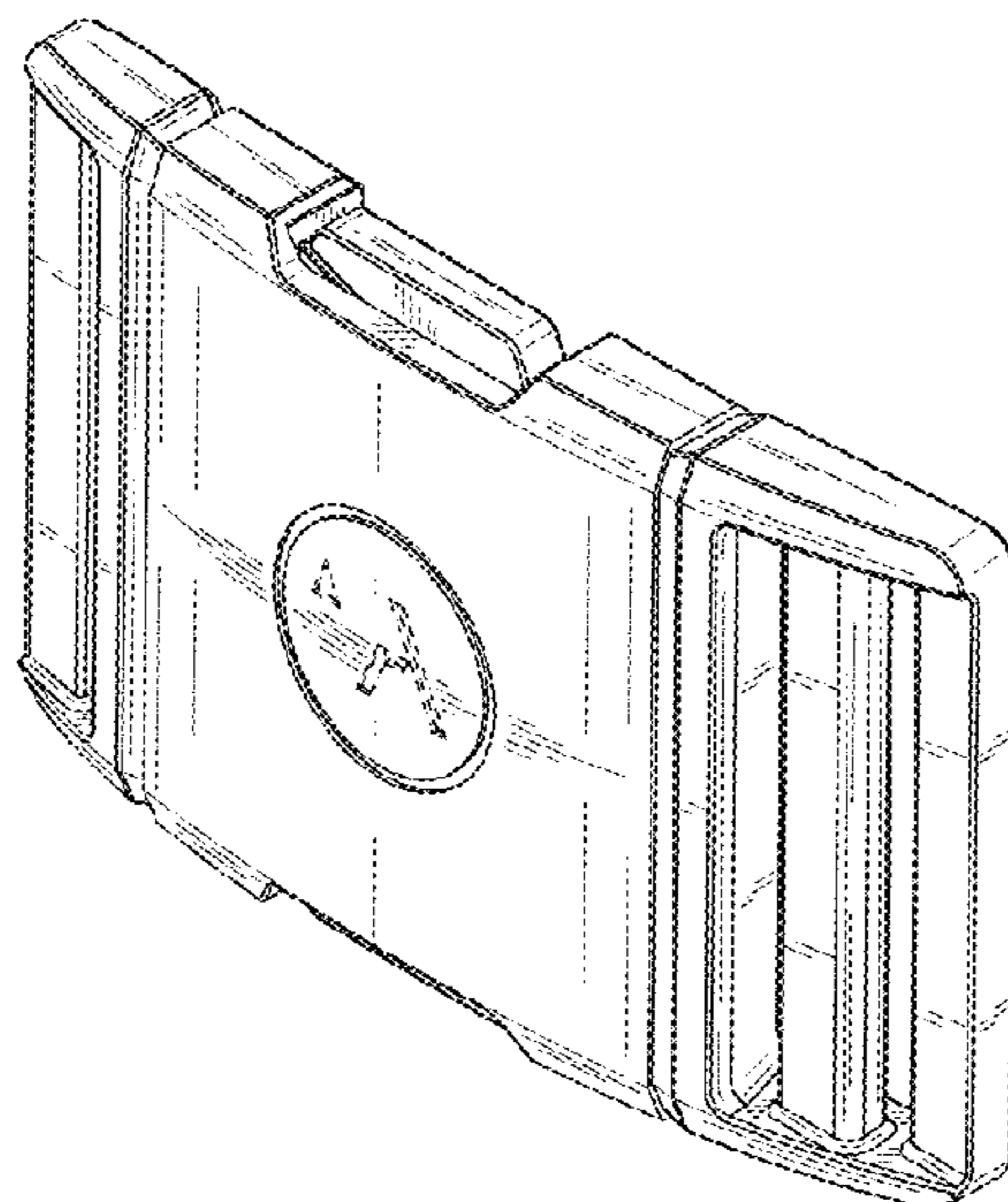
(57) **CLAIM**

The ornamental design for a belt buckle, as shown and described.

DESCRIPTION

FIG. 1 is a perspective view of a belt buckle showing a closed configuration of our new design; FIG. 2 is a front view thereof; FIG. 3 is a back view thereof; FIG. 4 is a left side view thereof; FIG. 5 is a right side view thereof; FIG. 6 is a top view thereof; FIG. 7 is a bottom view thereof; FIG. 8 is a perspective view of a belt buckle showing an open configuration of our new design; FIG. 9 is a front view of a belt buckle showing an open configuration; FIG. 10 is a back view of a belt buckle showing an open configuration; FIG. 11 is a left side view of a belt buckle showing an open configuration; FIG. 12 is a right side view of a belt buckle showing an open configuration; FIG. 13 is a top view of a belt buckle showing an open configuration; FIG. 14 is a bottom view of a belt buckle showing an open configuration; and, FIG. 15 is a front view of a belt buckle in a closed configuration shown in environmental use. The broken lines in the FIGS. 1-14 represent portions of the belt buckle that form no part of the claimed design. The other broken lines in FIG. 15 represent environmental subject matter only and form no part of the claimed design.

1 Claim, 9 Drawing Sheets



(58) **Field of Classification Search**

CPC A44B 11/00; A44B 11/006; A44B 11/02;
 A44B 11/04; A44B 11/065; A44B 11/25;
 A44B 11/2507; A44B 11/2515; A44B
 11/2519; A44B 11/2557; A44B 11/2592;
 A44B 11/26; A44B 11/263; A44B 17/00;
 A44B 11/266; A44B 11/253

See application file for complete search history.

D566,003 S 4/2008 Anscher
 D657,286 S 4/2012 Lo
 D668,178 S 10/2012 Kao
 D688,157 S 8/2013 Kao
 D688,158 S 8/2013 Kao
 D693,734 S 11/2013 Kao
 D702,593 S * 4/2014 Koreishi D11/216
 D742,786 S * 11/2015 Kung D11/216
 9,187,939 B1 * 11/2015 Bishop E05C 19/003
 D770,327 S 11/2016 Chan
 D815,980 S 4/2018 Chan
 D876,987 S 3/2020 Lee
 D877,655 S 3/2020 Lin
 D884,551 S 5/2020 Lee
 10,709,207 B2 7/2020 Chan et al.
 D894,787 S 9/2020 Lee
 10,820,666 B1 11/2020 Lin
 2003/0106192 A1 * 6/2003 Schmitz A44B 11/266
 24/614
 2011/0162177 A1 * 7/2011 Von Der Ahe A44B 11/2569
 24/640
 2012/0216373 A1 * 8/2012 Fiedler A01K 27/005
 24/303
 2021/0161255 A1 * 6/2021 Chen A44B 11/2519

(56) **References Cited**

U.S. PATENT DOCUMENTS

4,688,337 A 8/1987 Dillner et al.
 D303,233 S * 9/1989 Jang D11/216
 5,027,481 A * 7/1991 Frano A44B 11/266
 24/616
 D340,886 S 11/1993 Anscher
 D364,125 S 11/1995 Anscher
 D373,747 S 9/1996 Anscher
 D373,974 S 9/1996 Anscher
 5,551,131 A 9/1996 Anscher
 D380,005 S 6/1997 Anscher
 D381,936 S 8/1997 Anscher
 D385,826 S 11/1997 Anscher
 D386,124 S 11/1997 Anscher
 D386,125 S 11/1997 Anscher
 5,794,316 A 8/1998 Anscher
 D401,533 S 11/1998 Anscher
 D402,919 S 12/1998 Anscher
 5,855,057 A 1/1999 Anscher
 5,953,798 A * 9/1999 Matoba A44B 11/266
 24/615
 D469,382 S * 1/2003 Schmitz D11/200
 6,931,695 B2 8/2005 Anscher
 7,020,939 B2 4/2006 Anscher
 D519,878 S 5/2006 Anscher
 D533,808 S 12/2006 Anscher
 D543,897 S 6/2007 Anscher
 D563,269 S 3/2008 Anscher

OTHER PUBLICATIONS

Arcade Adventure Belt Review, Posted on: Apr. 3, 2018, Snarky Nomad, Site Visited on Nov. 1, 2022: <https://snarkynomad.com/arcade-adventure-belt-review/> (Year: 2018).*

Arcade Adventure Belt Review, Date Available: Oct. 8, 2018, Amazon Online, Site Visited on Nov. 1, 2022: <https://www.amazon.com/Arcade-Womens-Elastic-Stretch-Belts/dp/B078XTHCBF/> (Year: 2018).*

Inspiration—various images that inspired the inventors—unknown publication date, unknown author—one (1) page.

Buckle Inspiration—various images that inspired the inventors—unknown publication date, unknown author—one (1) page.

* cited by examiner

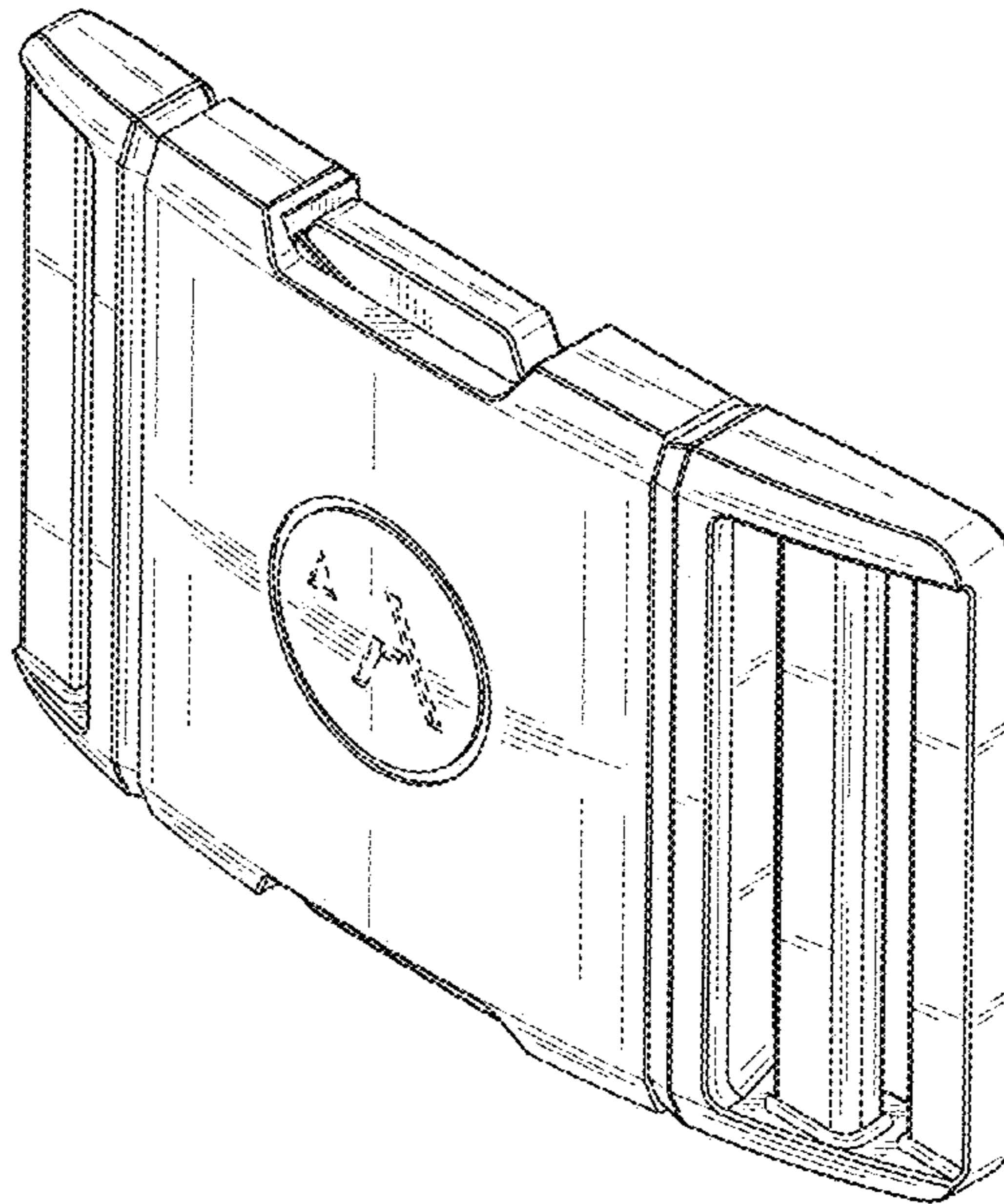


FIG. 1

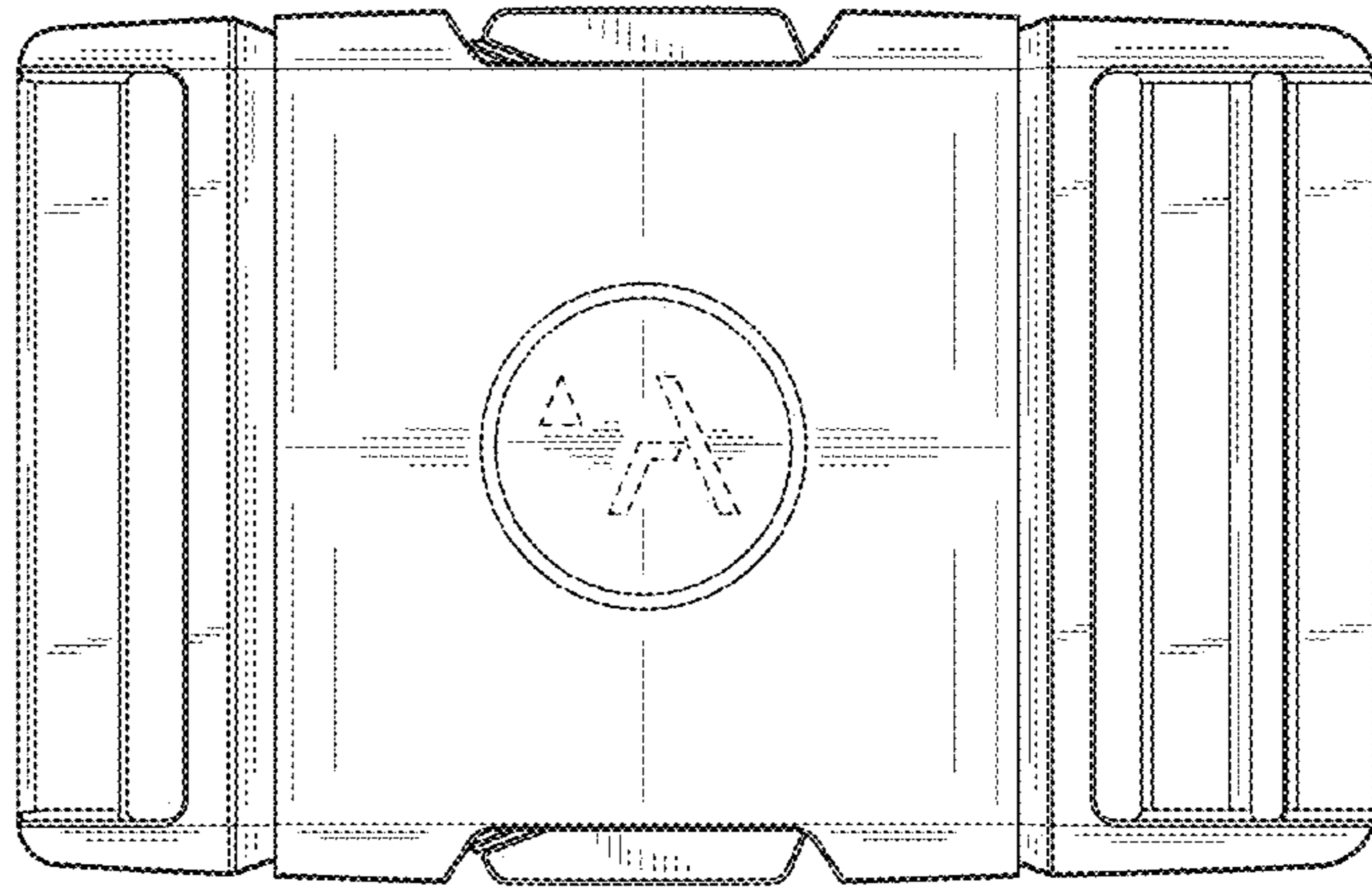


FIG. 2

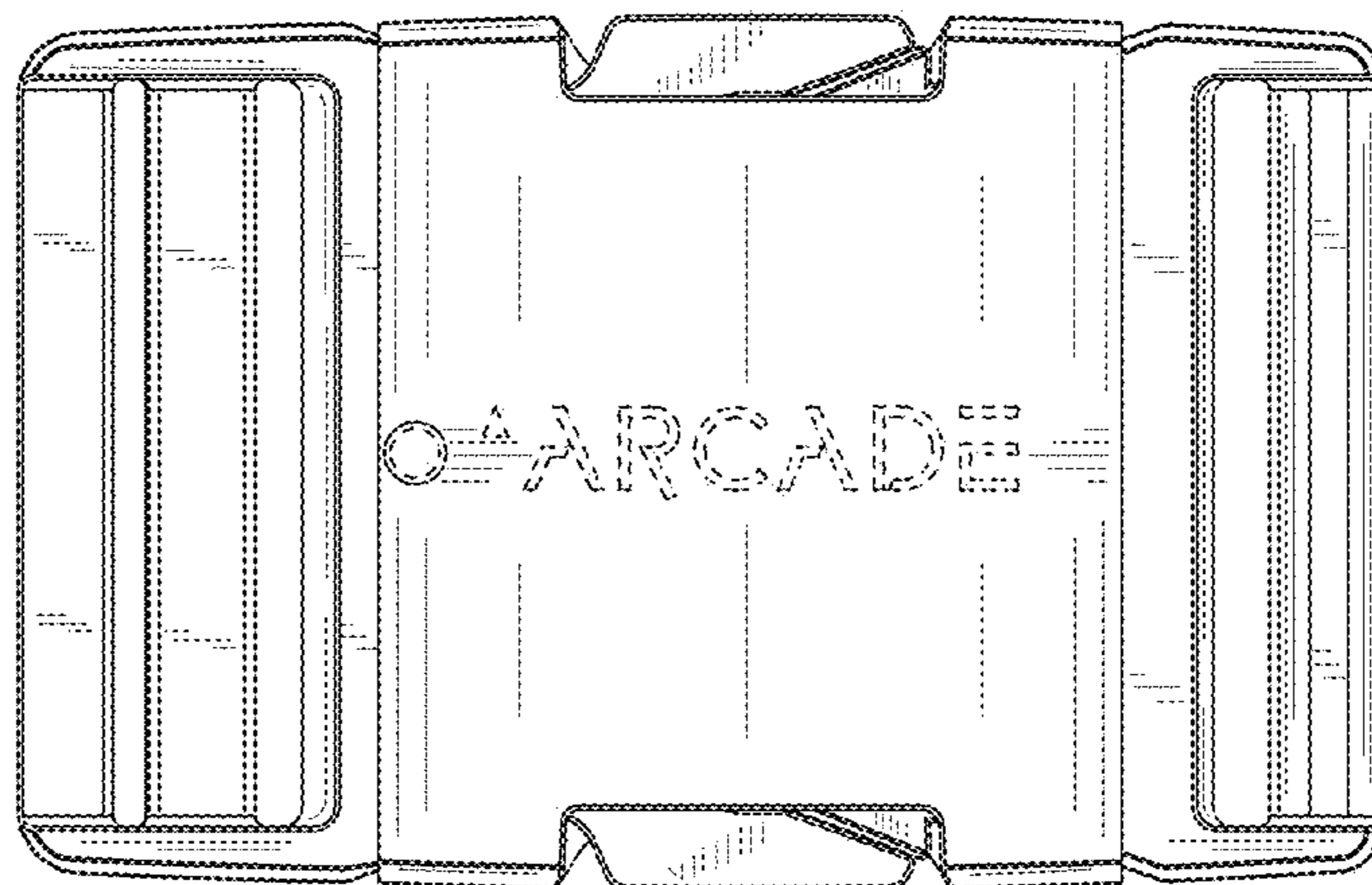


FIG. 3

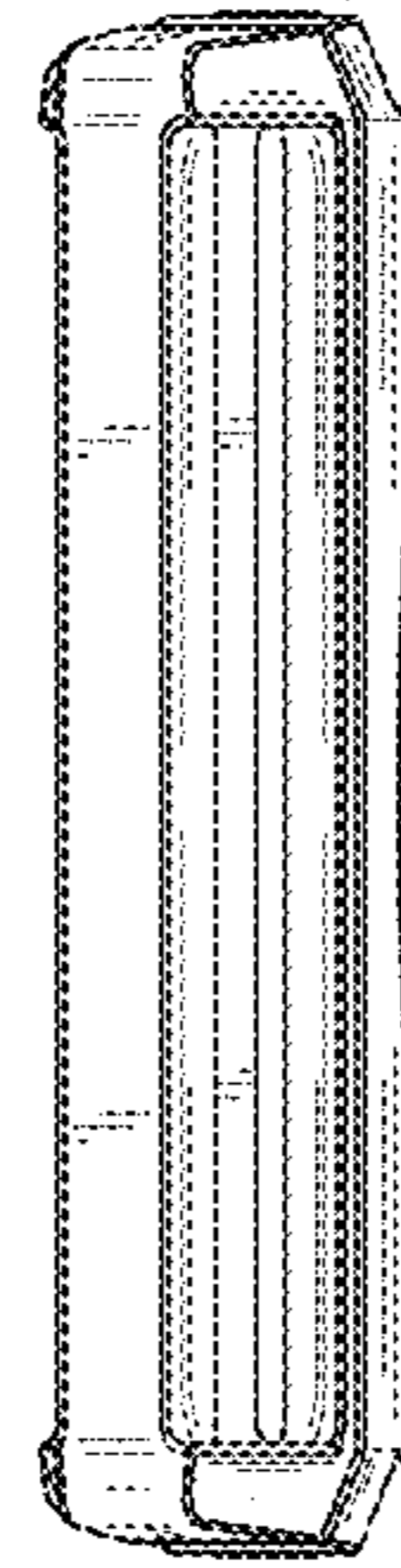


FIG. 4

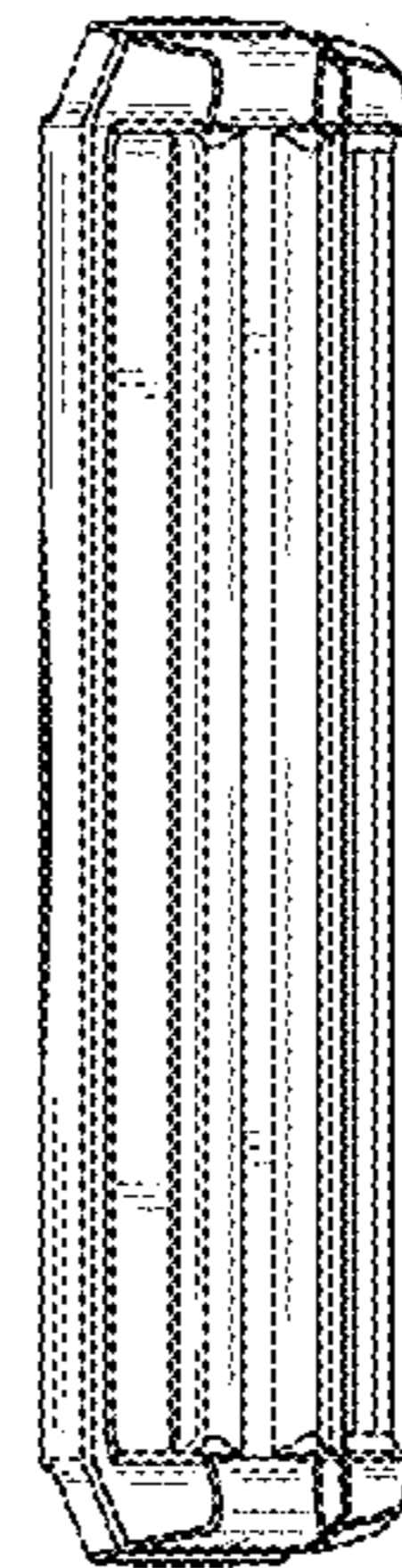


FIG. 5

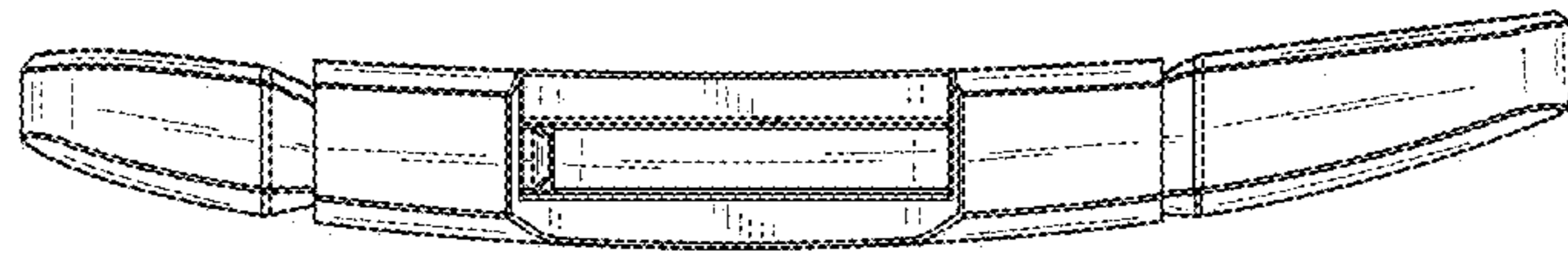


FIG. 6

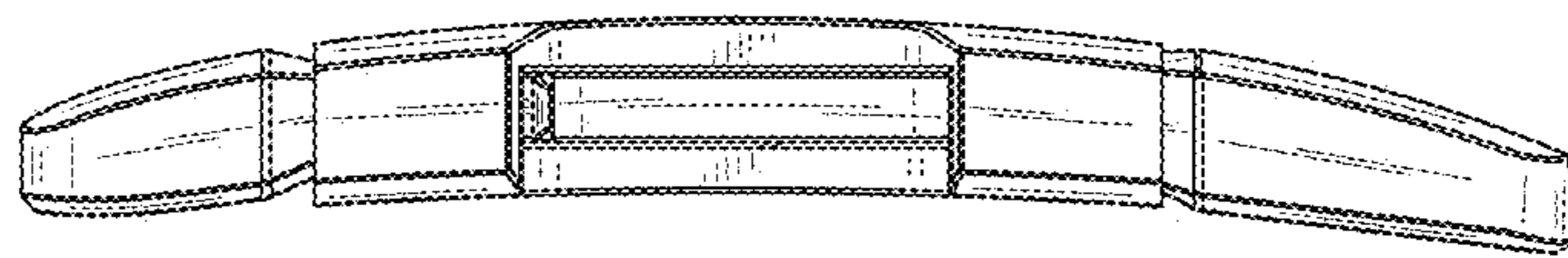
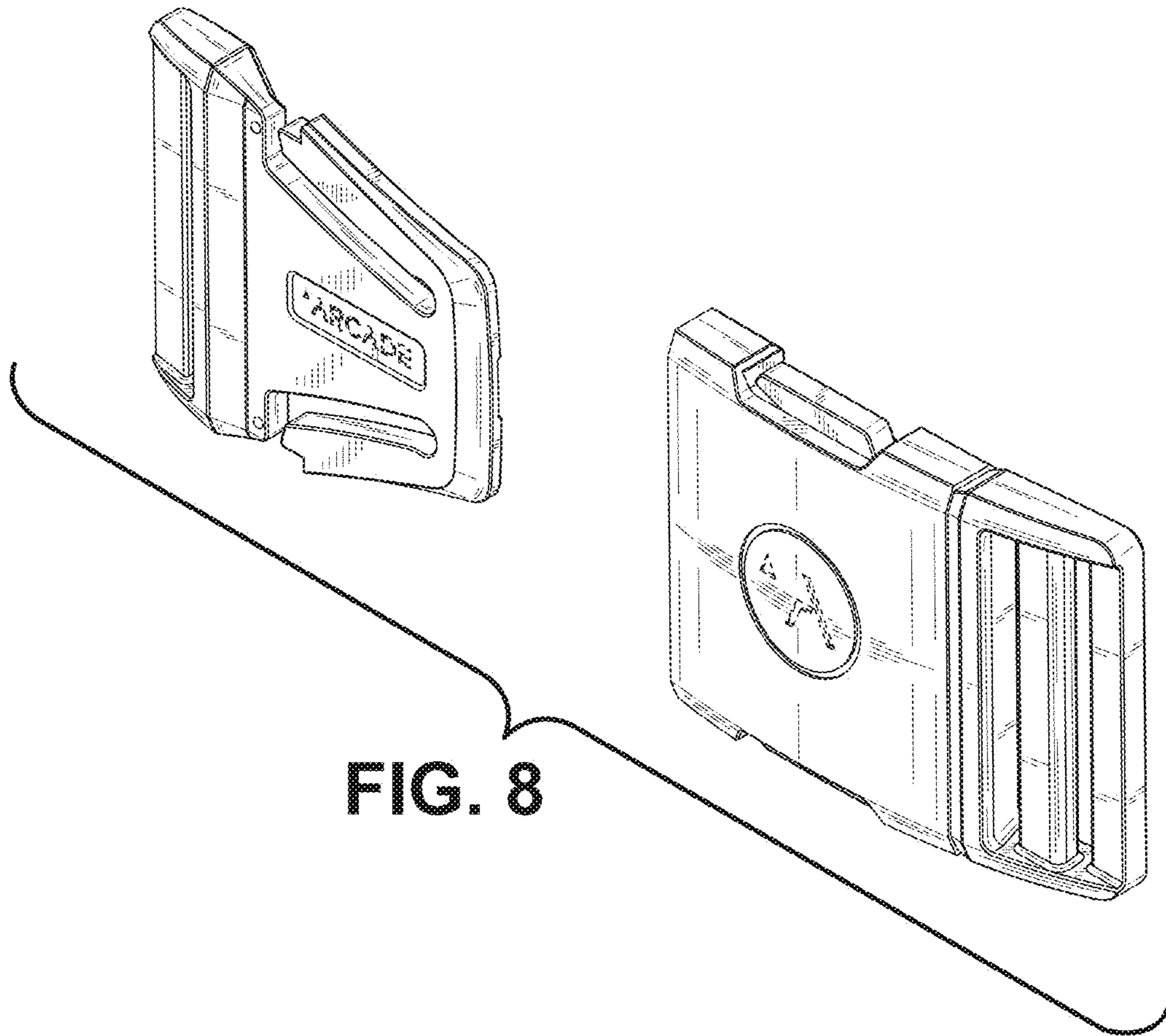


FIG. 7



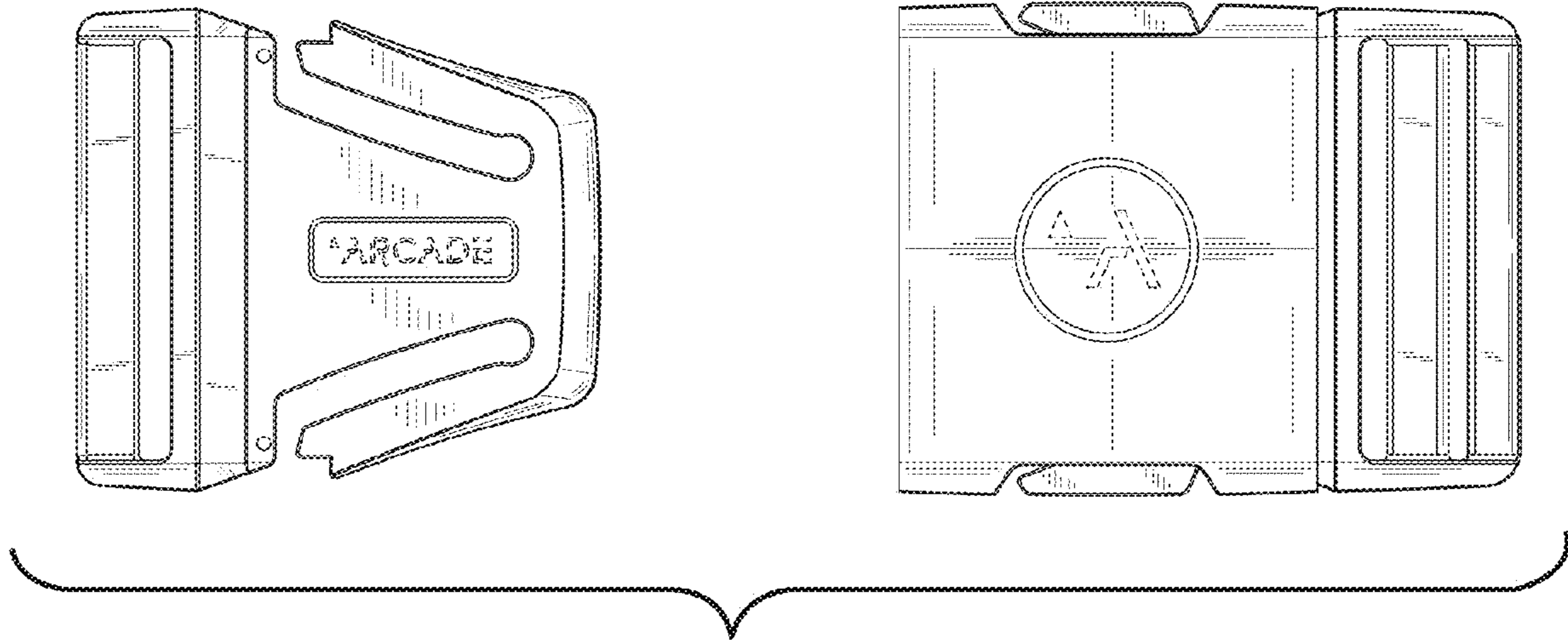


FIG. 9

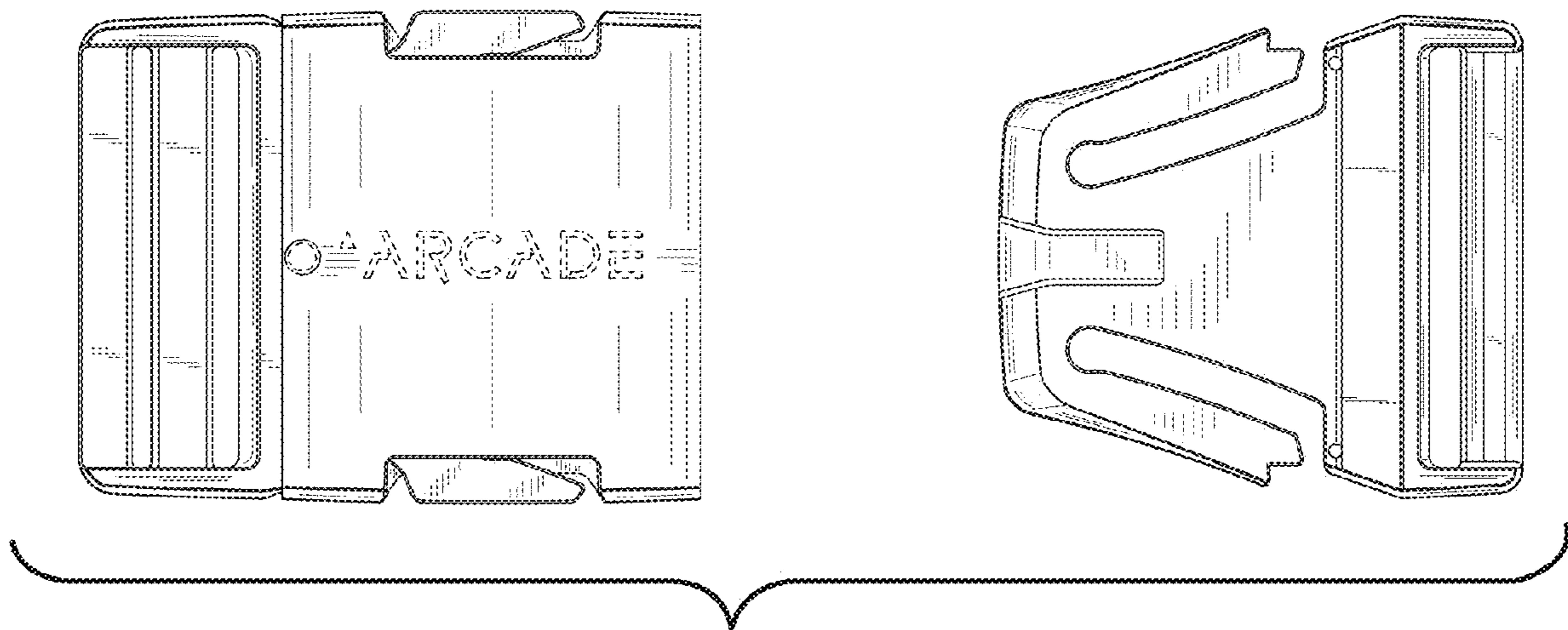


FIG. 10

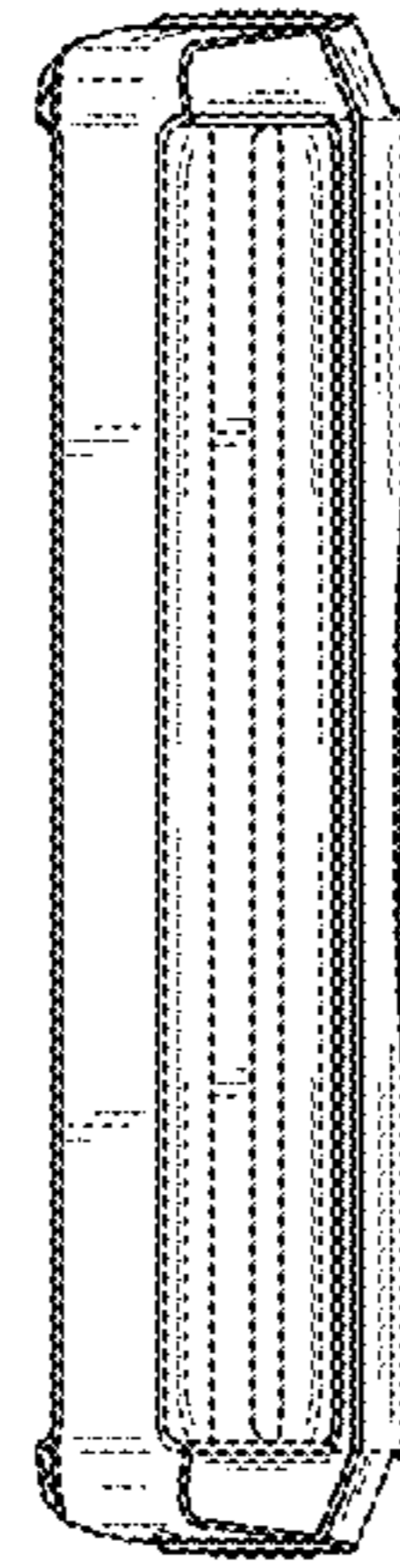


FIG. 11

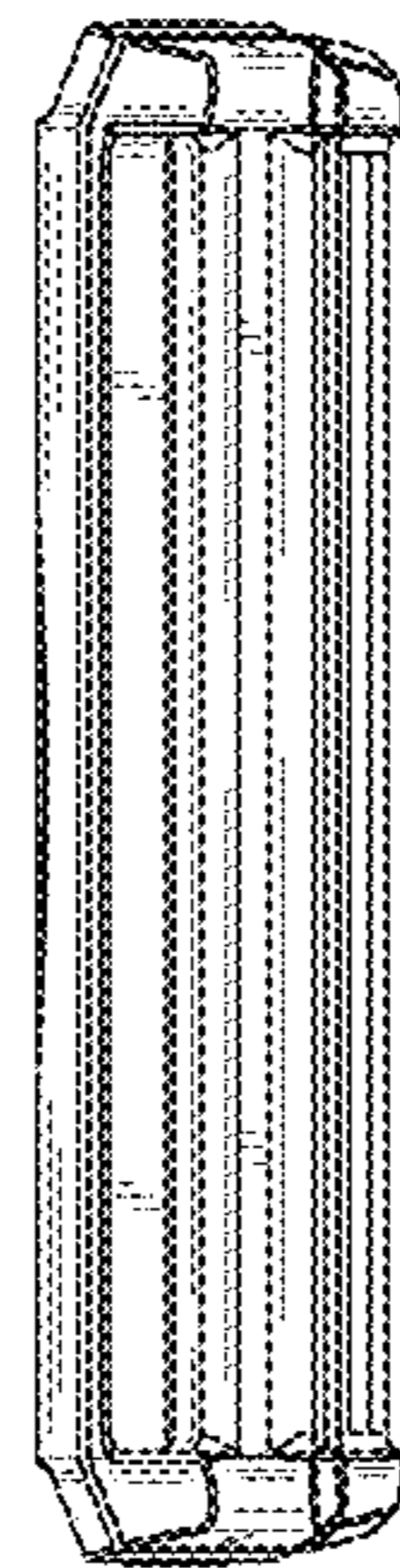


FIG. 12

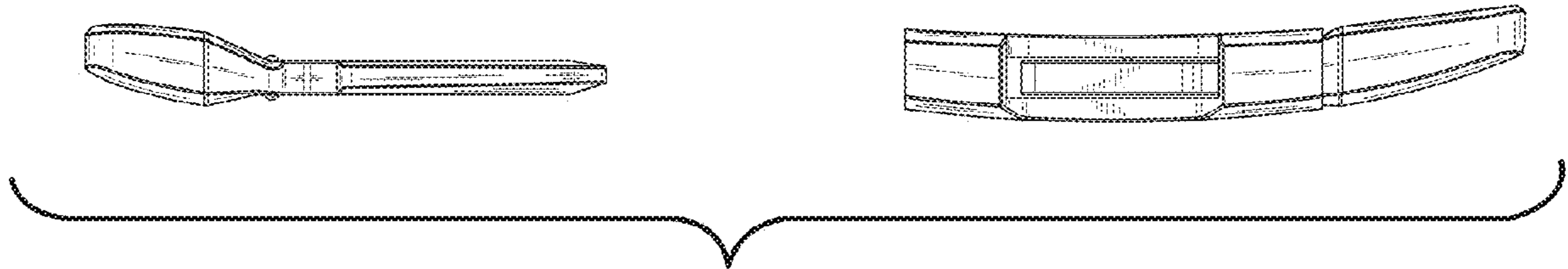


FIG. 13

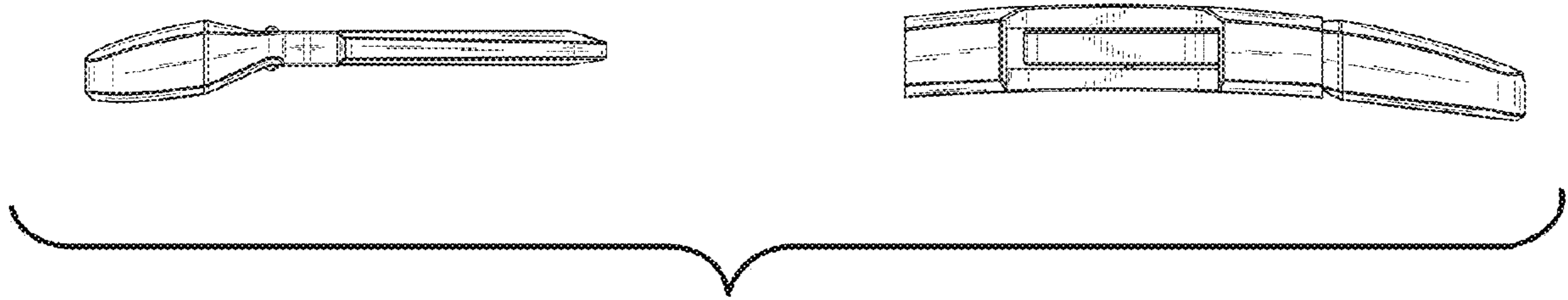


FIG. 14

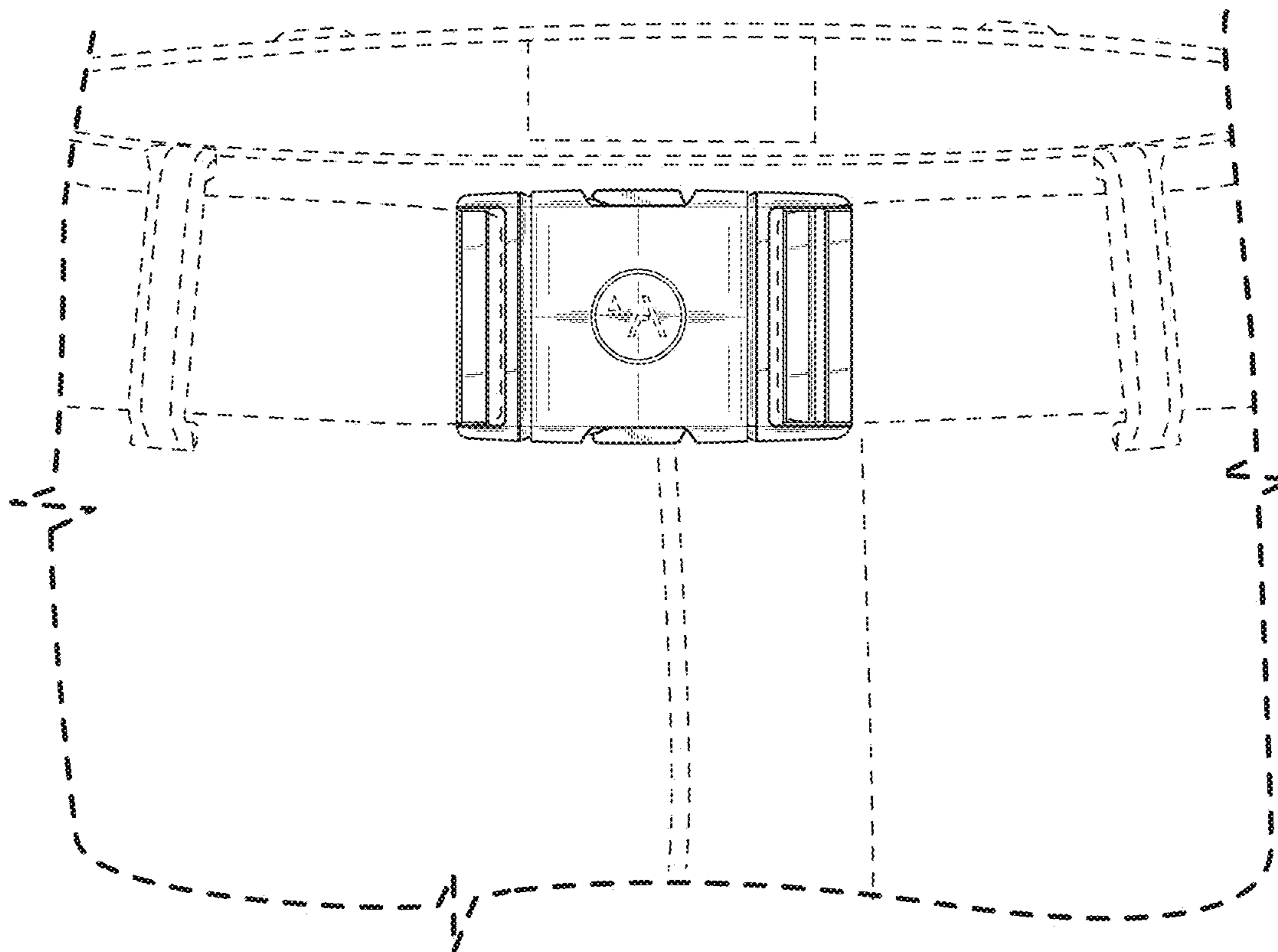


FIG. 15