



US00D984311S

(12) **United States Design Patent**
Wang

(10) **Patent No.:** **US D984,311 S**

(45) **Date of Patent:** **** Apr. 25, 2023**

- (54) **SEWING PIN**
- (71) Applicant: **Jian Wang**, Xi'an (CN)
- (72) Inventor: **Jian Wang**, Xi'an (CN)
- (**) Term: **15 Years**
- (21) Appl. No.: **29/882,560**
- (22) Filed: **Jan. 17, 2023**
- (51) **LOC (14) Cl.** **02-07**
- (52) **U.S. Cl.**
USPC **D11/206**
- (58) **Field of Classification Search**
USPC D15/66; D11/206; D19/90; D6/315,
D6/316, 317, 318, 319, 324, 325, 326,
D6/327, 328, 323
CPC . Y10T 24/46; Y10T 24/4691; Y10T 24/4602;
Y10T 24/4629; Y10T 24/4652; Y10T
24/51; Y10T 24/3649; Y10T 24/4604;
Y10T 24/3449; Y10T 24/4664; Y10T
24/44017; Y10T 24/1365; Y10T 24/4696;
Y10T 24/13; Y10T 24/1349; Y10T
24/3485; Y10T 24/44778; Y10T 24/2708;
Y10T 29/49826

See application file for complete search history.

(56) **References Cited**

U.S. PATENT DOCUMENTS

- 1,450,722 A * 4/1923 Gaunt A44C 3/002
40/1.5
- 1,801,955 A * 4/1931 Ferrone A44B 9/18
24/708.9
- 2,625,724 A * 1/1953 Sampson A44B 9/14
24/356
- 2,630,611 A * 3/1953 Whittaker A44B 9/14
24/710
- 2,679,673 A * 6/1954 Chalk A44B 9/14
24/709.4

- 2,843,904 A * 7/1958 Yeglinski A44B 9/14
24/710
- 2,887,748 A * 5/1959 Heyden A44B 9/14
24/710
- 3,018,533 A * 1/1962 Bagnasco A44B 9/18
24/708.9
- 3,052,938 A * 9/1962 Hill A44B 9/14
24/709.8
- 3,132,397 A * 5/1964 Nickerson A44B 9/14
24/709.9
- 3,328,855 A * 7/1967 Benoit A44B 9/12
24/710
- 3,806,997 A * 4/1974 Niwa A44B 9/16
24/710
- 3,851,359 A * 12/1974 Wilson A44B 9/18
24/709.7
- D258,996 S * 4/1981 Costantino D11/204
- 4,989,352 A * 2/1991 Seppanen G09F 3/12
40/1.5

(Continued)

Primary Examiner — Calvin E Vansant

Assistant Examiner — Eidiol Ghigliotty Torre

(74) *Attorney, Agent, or Firm* — ScienBiziP, P.C.

(57) **CLAIM**

The ornamental design for a sewing pin, as shown and described.

DESCRIPTION

FIG. 1 is a front, right and top perspective view of a sewing pin, showing my design.

FIG. 2 is a rear, left and bottom perspective view thereof.

FIG. 3 is a front elevation view thereof.

FIG. 4 is a rear elevation view thereof.

FIG. 5 is a left side elevation view thereof.

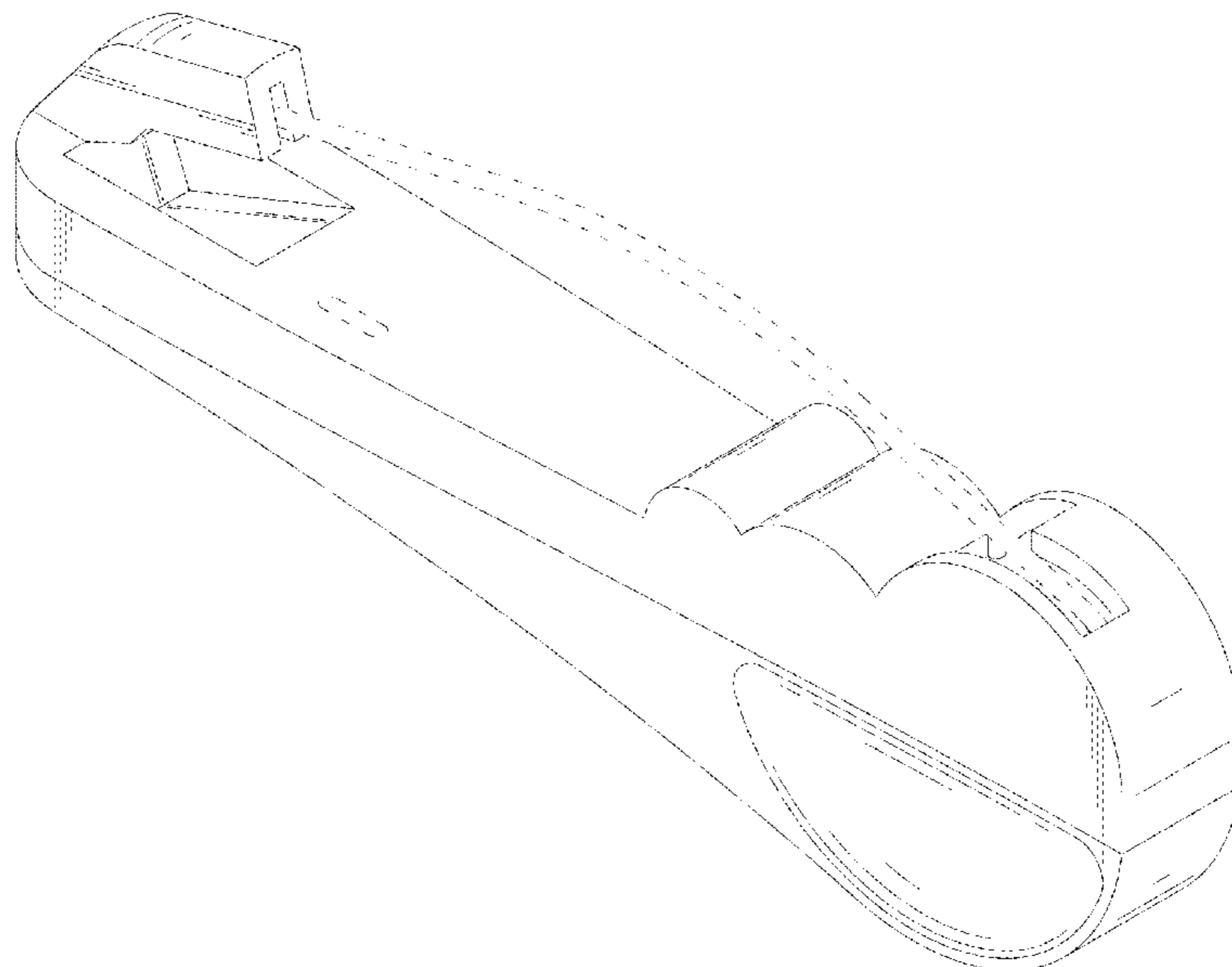
FIG. 6 is a right side elevation view thereof.

FIG. 7 is a top plan view thereof; and,

FIG. 8 is a bottom plan view thereof.

The broken lines depict portions of the sewing pin that form no part of the claimed design.

1 Claim, 8 Drawing Sheets



(56)

References Cited

U.S. PATENT DOCUMENTS

5,329,678 A * 7/1994 Bagnasco A44B 9/125
24/708.9
D573,655 S * 7/2008 Niwa D20/43
D621,855 S 8/2010 Davison, III et al.
D746,583 S * 1/2016 Habraken A44B 9/18
D3/211
D761,573 S * 7/2016 Grainger D6/328
D776,567 S * 1/2017 Kelly A44B 9/125
D11/206
D778,206 S * 2/2017 Sullivan D11/202

* cited by examiner

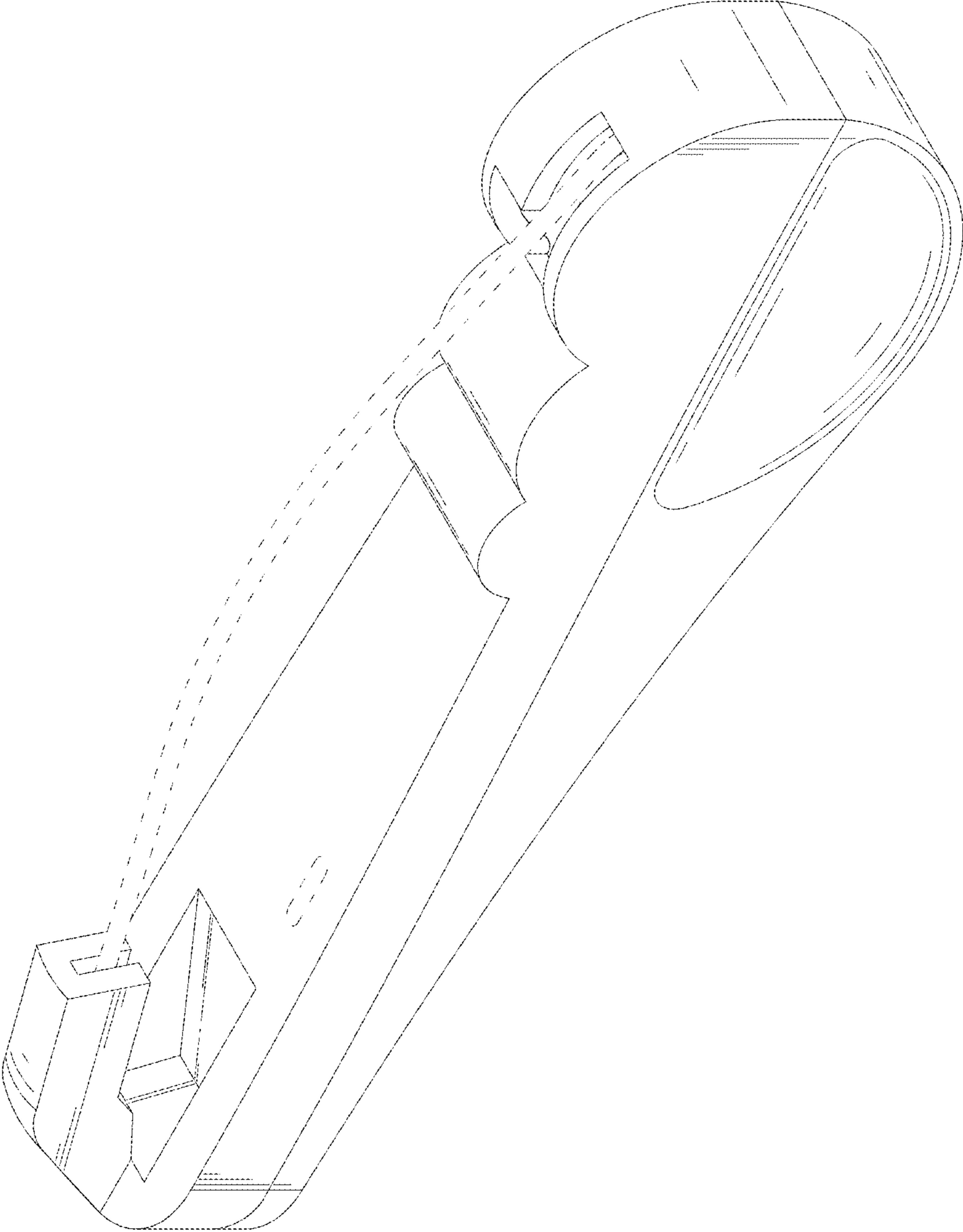


FIG.1

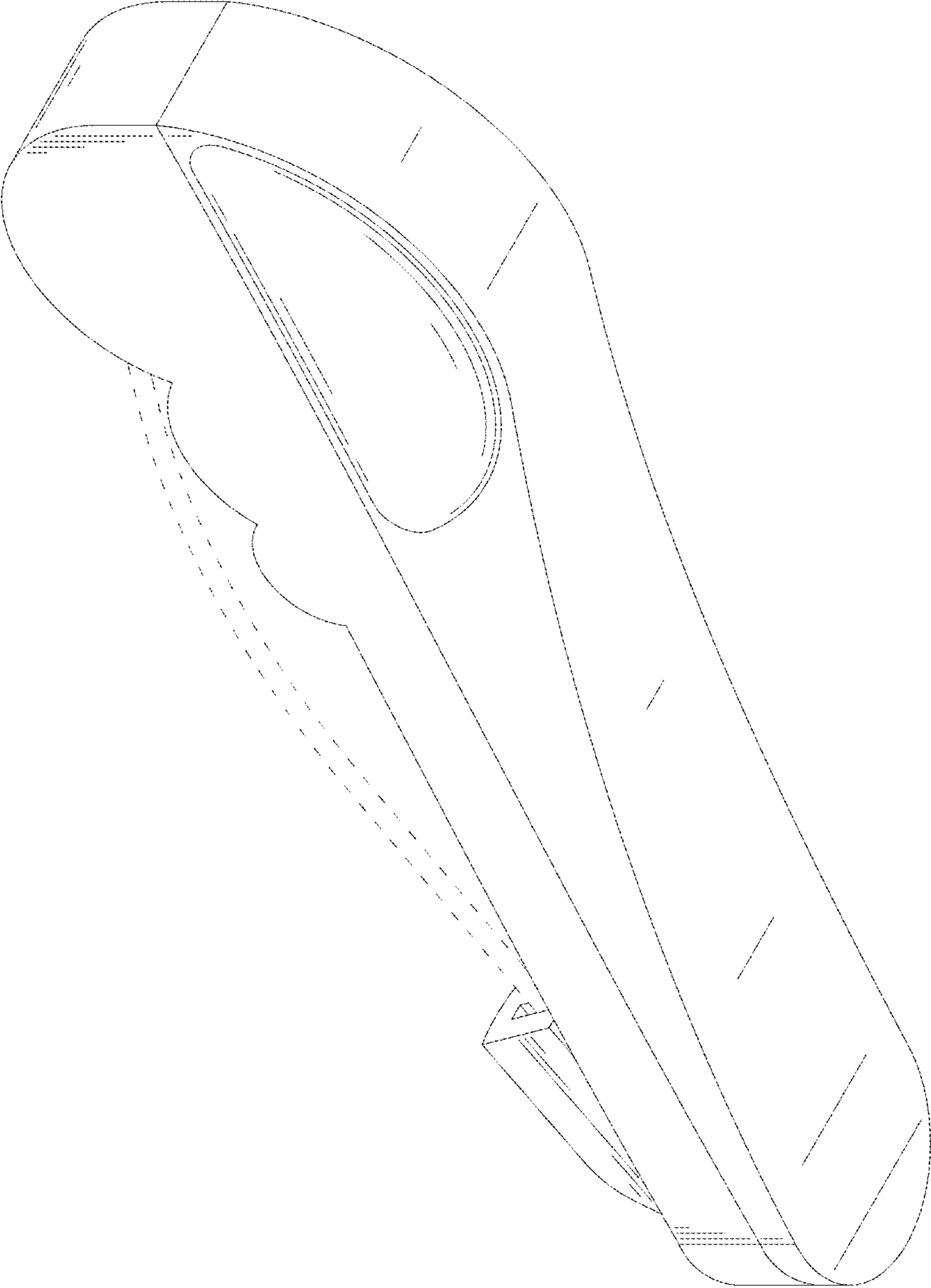


FIG. 2

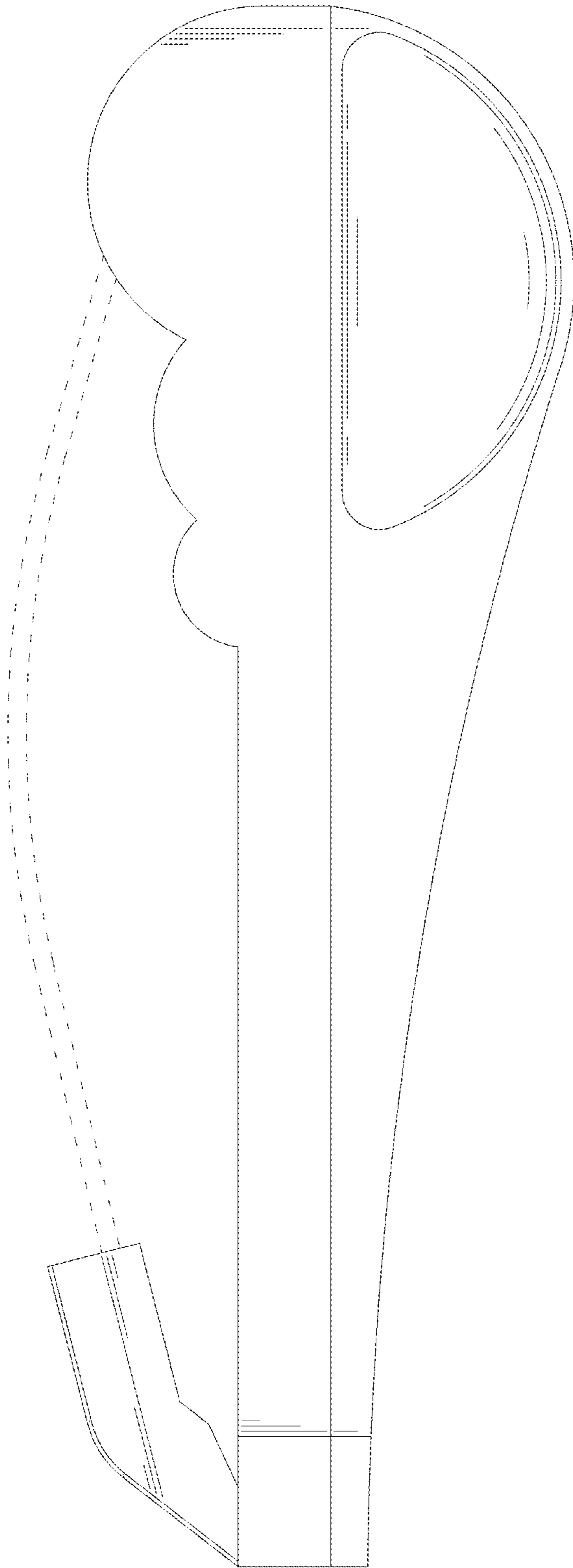


FIG. 3

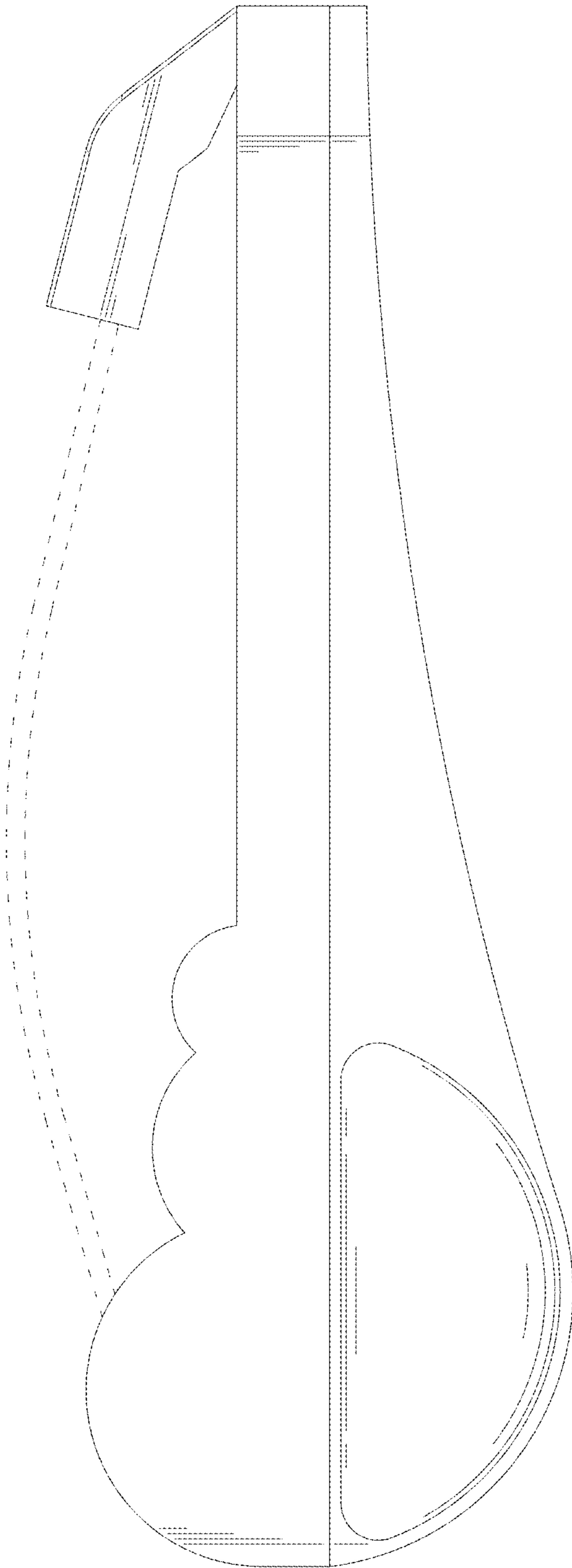


FIG. 4

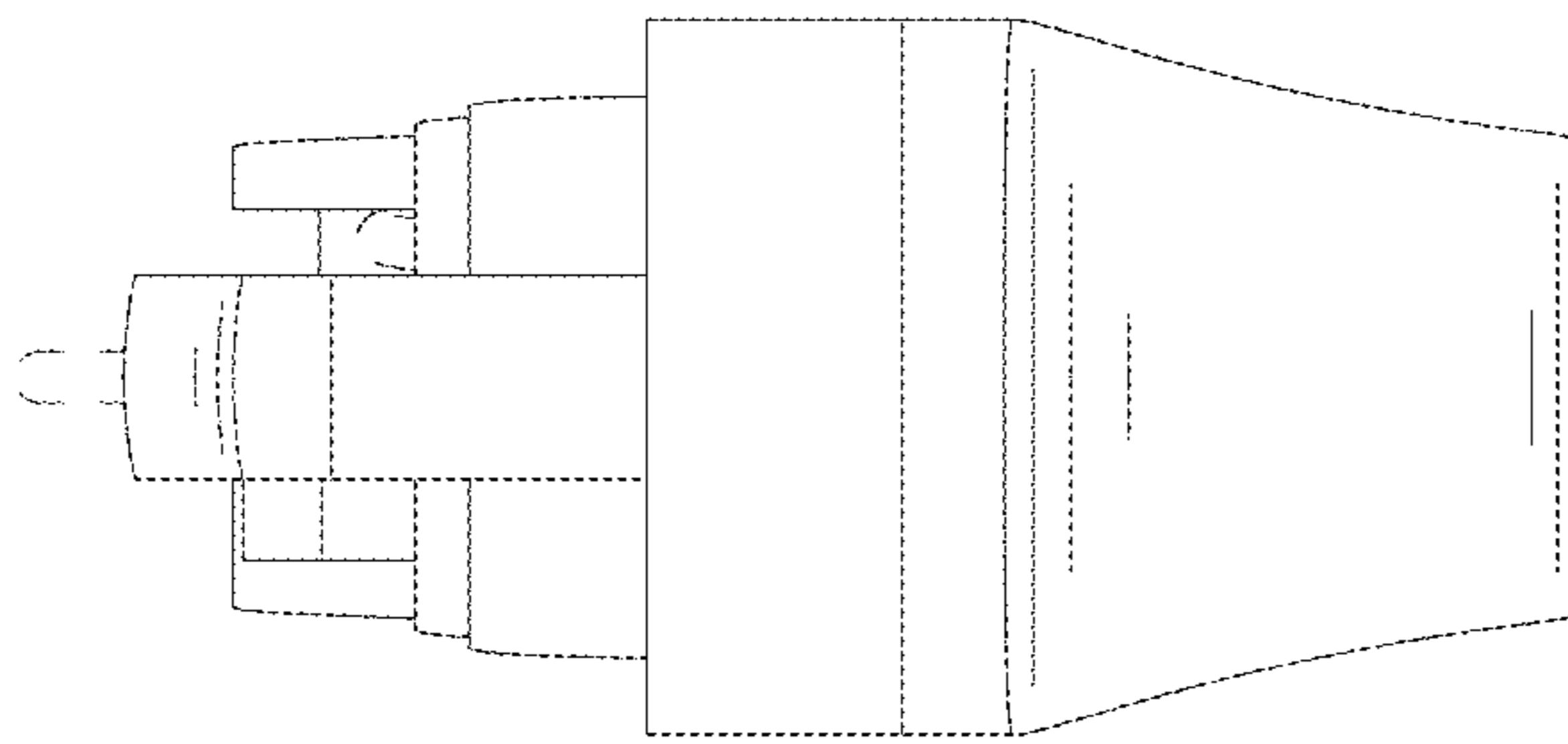


FIG. 5

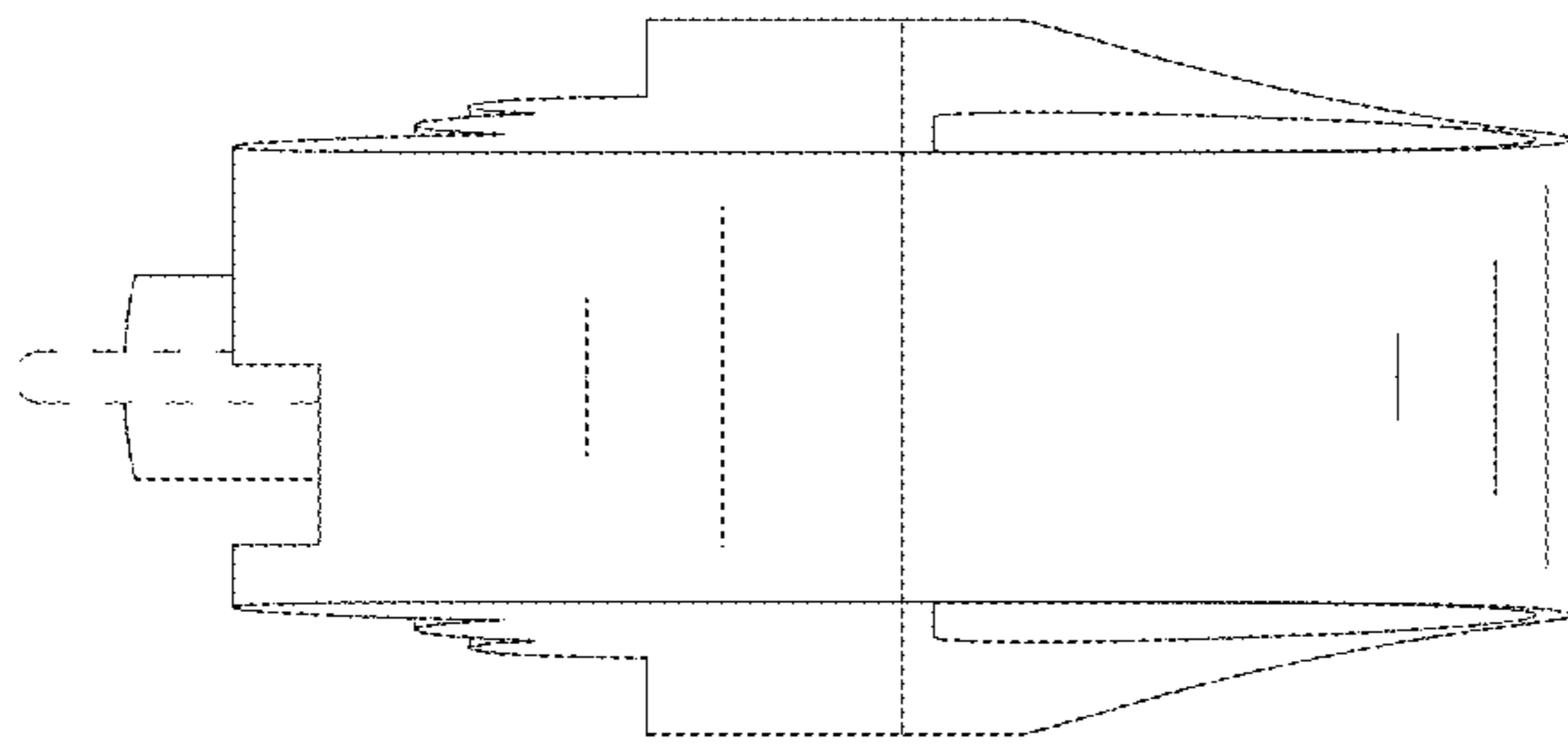


FIG. 6

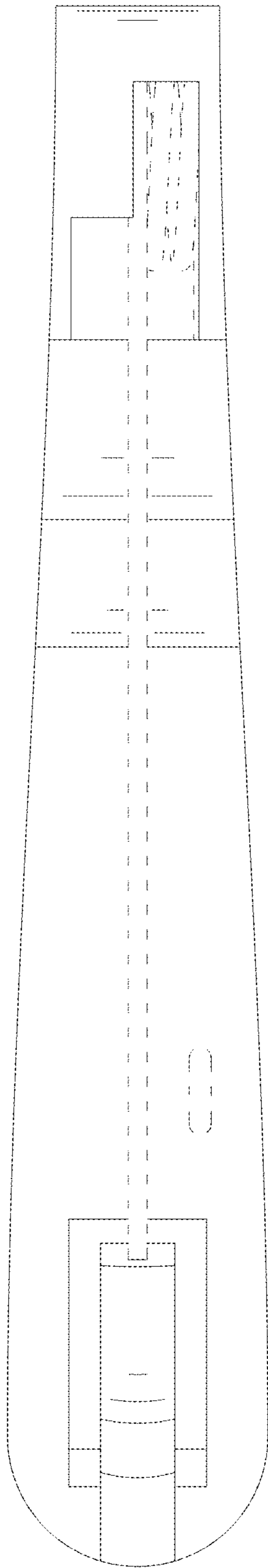


FIG. 7

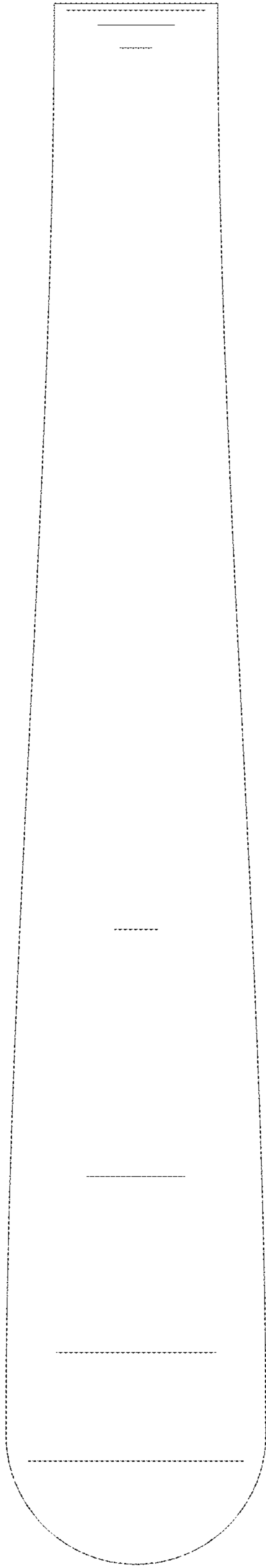


FIG. 8