



US00D984310S

(12) **United States Design Patent**  
**Liu**

(10) **Patent No.:** **US D984,310 S**  
(45) **Date of Patent:** **\*\* Apr. 25, 2023**

(54) **POLE HEAD**  
(71) Applicant: **Shenzhen Wisdom E-Commerce Co., Ltd., Shenzhen (CN)**  
(72) Inventor: **Jing Liu, Shenzhen (CN)**  
(\*\*) Term: **15 Years**  
(21) Appl. No.: **29/850,238**  
(22) Filed: **Aug. 18, 2022**  
(51) **LOC (14) Cl.** ..... **11-05**  
(52) **U.S. Cl.**  
USPC ..... **D11/181**  
(58) **Field of Classification Search**  
USPC .... D11/166, 181, 182, 183, 184; D8/37, 38, D8/72, 330, 339, 349, 351, 354, 363, 373, D8/376, 378, 380, 382, 383, 394, 396; D20/16, 17, 33, 41, 42, 43  
CPC ..... A47G 7/045; A45F 3/44; G09F 17/00; H01Q 1/1228  
See application file for complete search history.

D459,202 S \* 6/2002 Dolan ..... G09F 17/00 D8/378  
D461,691 S \* 8/2002 Huang ..... D7/693  
D469,880 S \* 2/2003 York ..... D24/214  
D495,599 S \* 9/2004 Biesecker ..... D7/391  
D525,115 S \* 7/2006 Harwanko ..... A47D 7/04 D8/376  
D528,879 S 9/2006 Ferrara et al.  
D580,756 S \* 11/2008 Seebold ..... D9/454  
D593,274 S 5/2009 Knie et al.  
D655,998 S \* 3/2012 Malone ..... D8/382  
D756,200 S \* 5/2016 McDonald ..... D8/354  
D799,286 S 10/2017 Tinius

(Continued)

**OTHER PUBLICATIONS**

Timi Rod, Sep. 27, 2021 found on Feb. 11, 2023 at [https://www.amazon.com/dp/B08XC3V1PQ/ref=sspa\\_dk\\_detail\\_6?pf\\_rd\\_p=dd2c6db7-6626-466d-bf04-9570e69a7df0&pf\\_rd\\_r=44TNM5PQE4E99T1AME2Z&pd\\_rd\\_wg=aS0pA&pd\\_rd\\_w=lghl2&content-id=amzn1.sym.dd2c6db7-6626-](https://www.amazon.com/dp/B08XC3V1PQ/ref=sspa_dk_detail_6?pf_rd_p=dd2c6db7-6626-466d-bf04-9570e69a7df0&pf_rd_r=44TNM5PQE4E99T1AME2Z&pd_rd_wg=aS0pA&pd_rd_w=lghl2&content-id=amzn1.sym.dd2c6db7-6626-) (Year: 2021).\*

*Primary Examiner* — Karen S Acker

(74) *Attorney, Agent, or Firm* — Rumit Ranjit Kanakia

(57) **CLAIM**

The ornamental design for a pole head, as shown and described.

**DESCRIPTION**

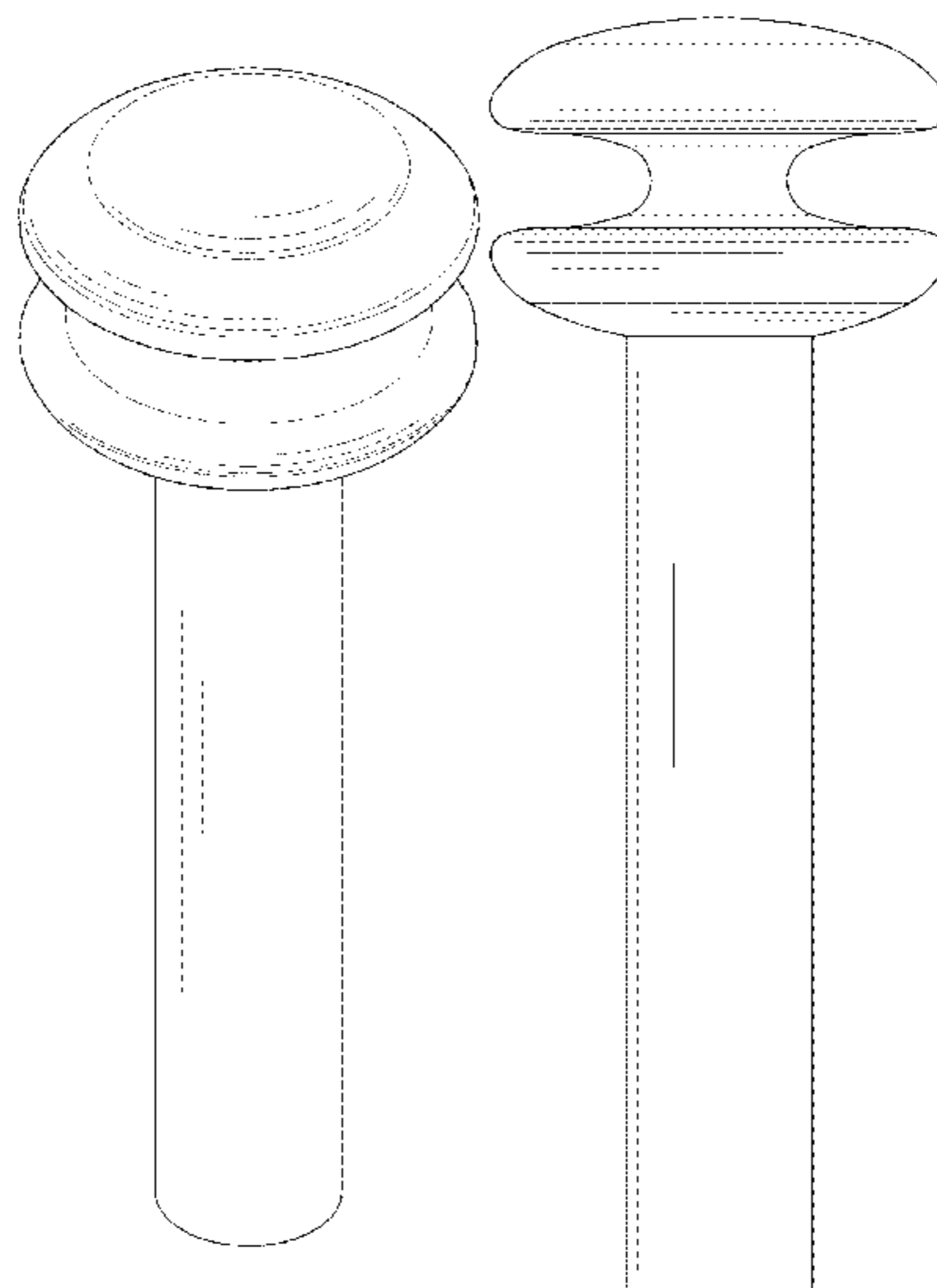
FIG. 1 is a first perspective view of a pole head showing my new design;  
FIG. 2 is a second perspective view thereof;  
FIG. 3 is a front view thereof;  
FIG. 4 is a back view thereof;  
FIG. 5 is a left side view thereof;  
FIG. 6 is a right side view thereof;  
FIG. 7 is a top view thereof; and,  
FIG. 8 is a bottom view thereof.  
The broken lines shown in the drawings depict portions of the pole head that form no part of the claimed design.

**1 Claim, 8 Drawing Sheets**

(56) **References Cited**

**U.S. PATENT DOCUMENTS**

D27,511 S \* 8/1897 Chesson ..... G09F 17/00 D26/142  
844,233 A \* 2/1907 Bentley ..... A47D 7/04 5/100  
1,255,580 A \* 2/1918 Brown ..... G09F 17/00 116/174  
1,302,190 A \* 4/1919 McCormack ..... G09F 17/00 116/173  
D134,995 S \* 2/1943 Geary ..... D11/166  
D149,639 S \* 5/1948 Helehan ..... D11/166  
D257,245 S \* 10/1980 Neal ..... D11/181  
D303,887 S \* 10/1989 Reid ..... D6/709.21  
D368,638 S \* 4/1996 Sonnenleiter ..... D8/310  
5,597,226 A \* 1/1997 Fast ..... G09F 17/00 362/253  
D403,076 S \* 12/1998 York ..... D24/214  
D454,049 S \* 3/2002 LaPlume ..... D8/352



(56)

**References Cited**

U.S. PATENT DOCUMENTS

10,155,147 B1 \* 12/2018 Yablonowski ..... A63B 21/0088  
D849,260 S \* 5/2019 Wersland ..... D24/211  
D861,912 S \* 10/2019 Ehret ..... D24/215  
D864,409 S \* 10/2019 Ehret ..... D24/215  
D864,701 S \* 10/2019 Huang ..... D8/376  
D910,870 S \* 2/2021 Marton ..... D24/215  
D917,714 S \* 4/2021 Chen ..... D24/187  
D931,492 S \* 9/2021 Li ..... D24/215  
D949,366 S \* 4/2022 Li ..... D24/211  
D975,863 S \* 1/2023 Zhang ..... D24/215  
2006/0260532 A1 \* 11/2006 Hlavin ..... G09F 17/00  
116/174  
2011/0132858 A1 \* 6/2011 Webster-Smith ..... A47H 1/02  
428/28  
2011/0247551 A1 \* 10/2011 Malone ..... B05C 21/005  
118/505

\* cited by examiner

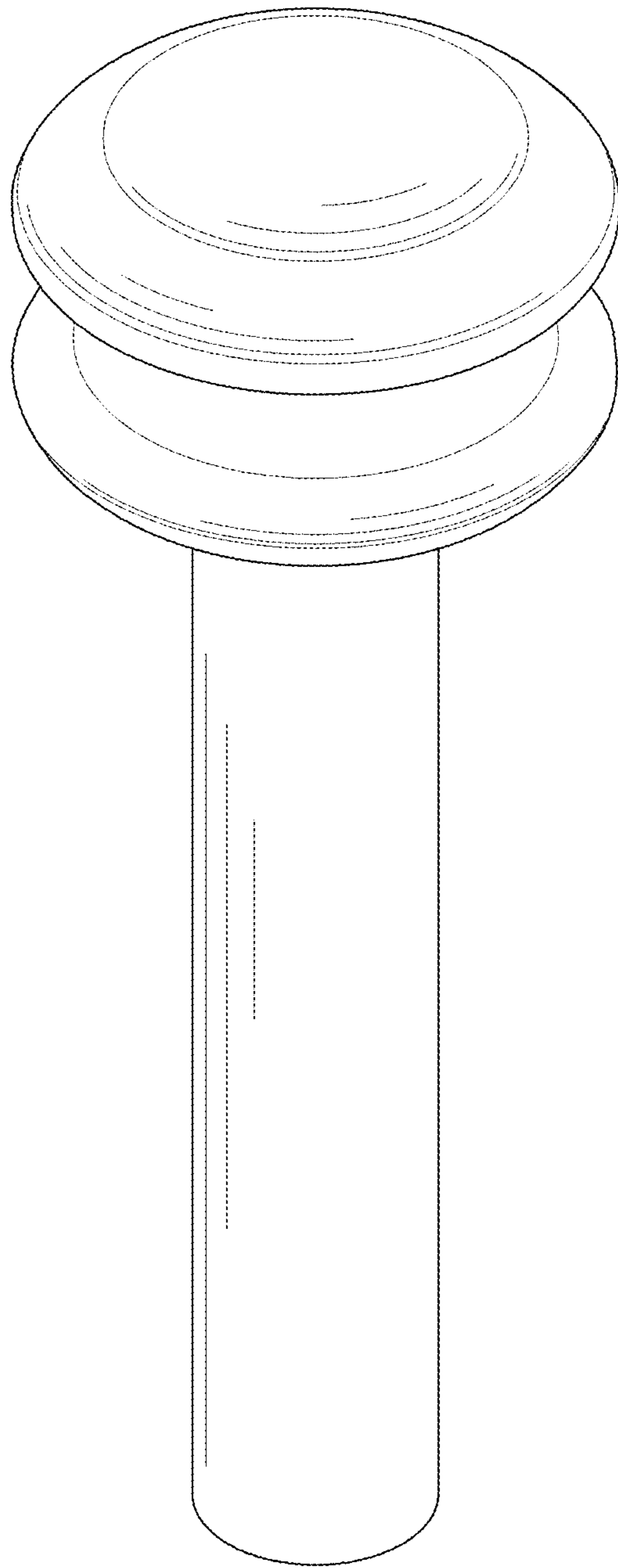


FIG. 1

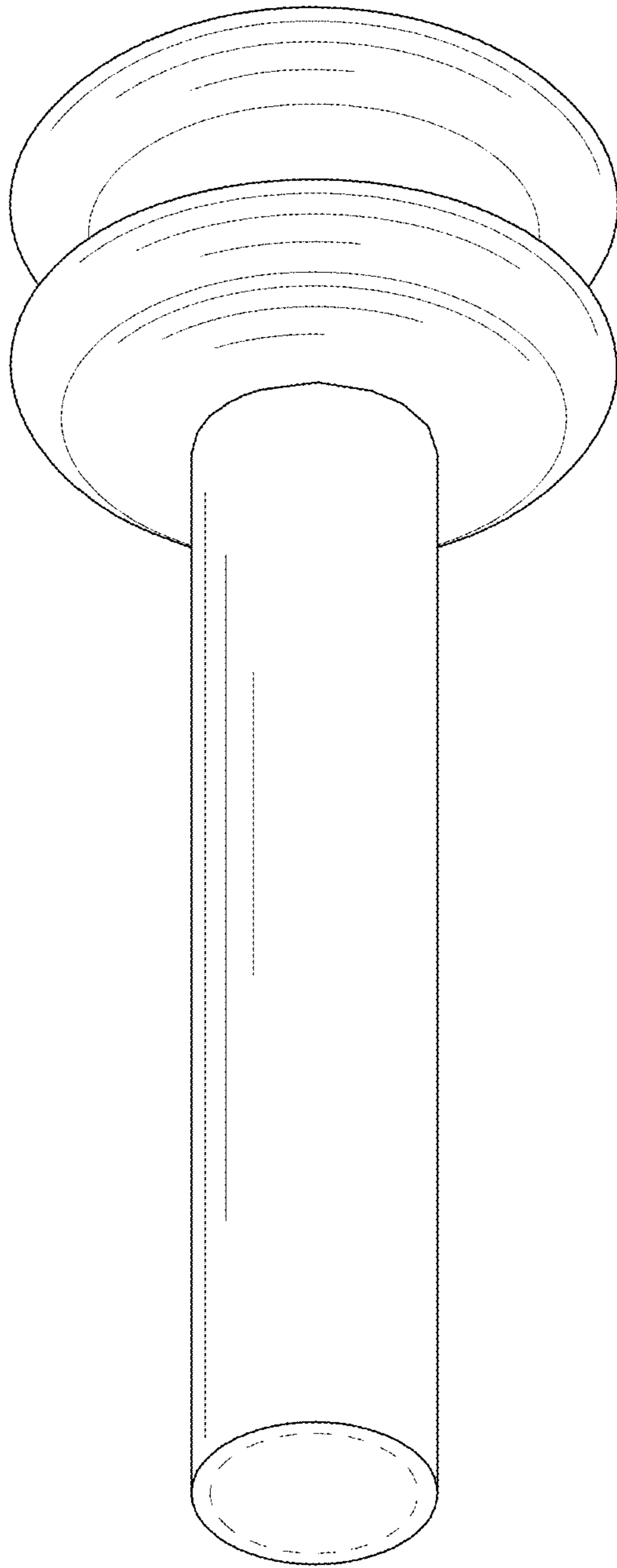


FIG. 2

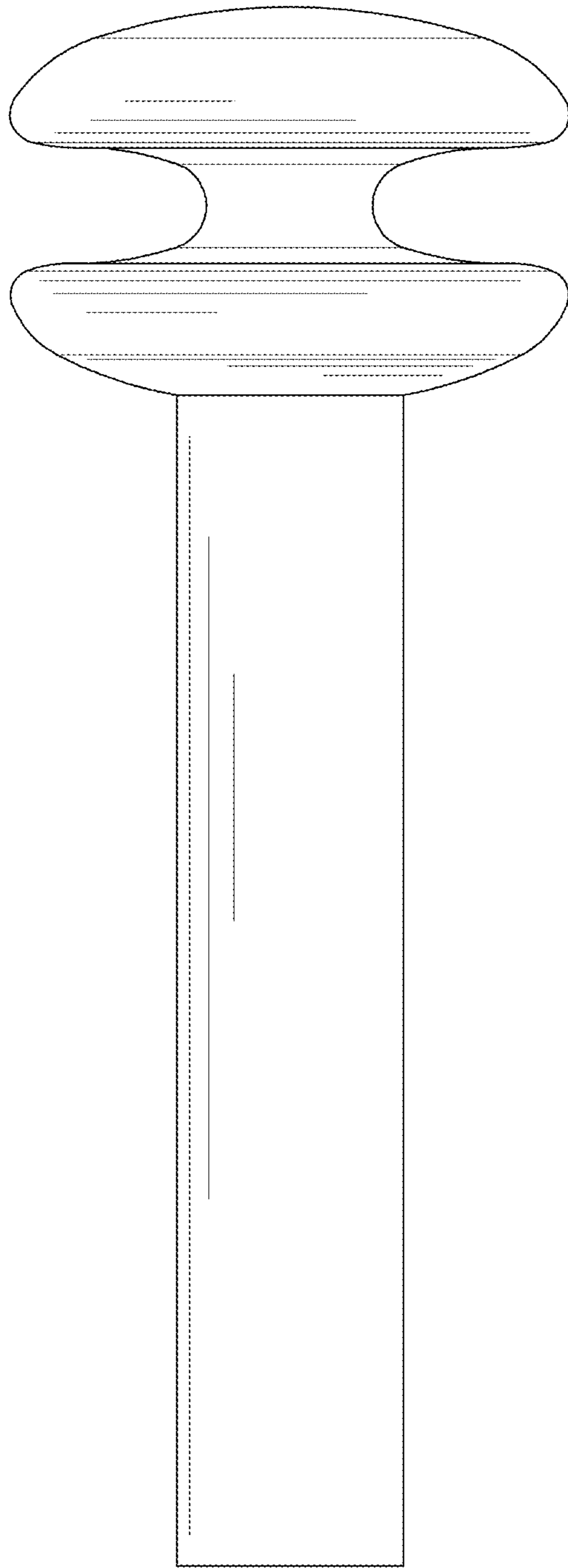


FIG. 3

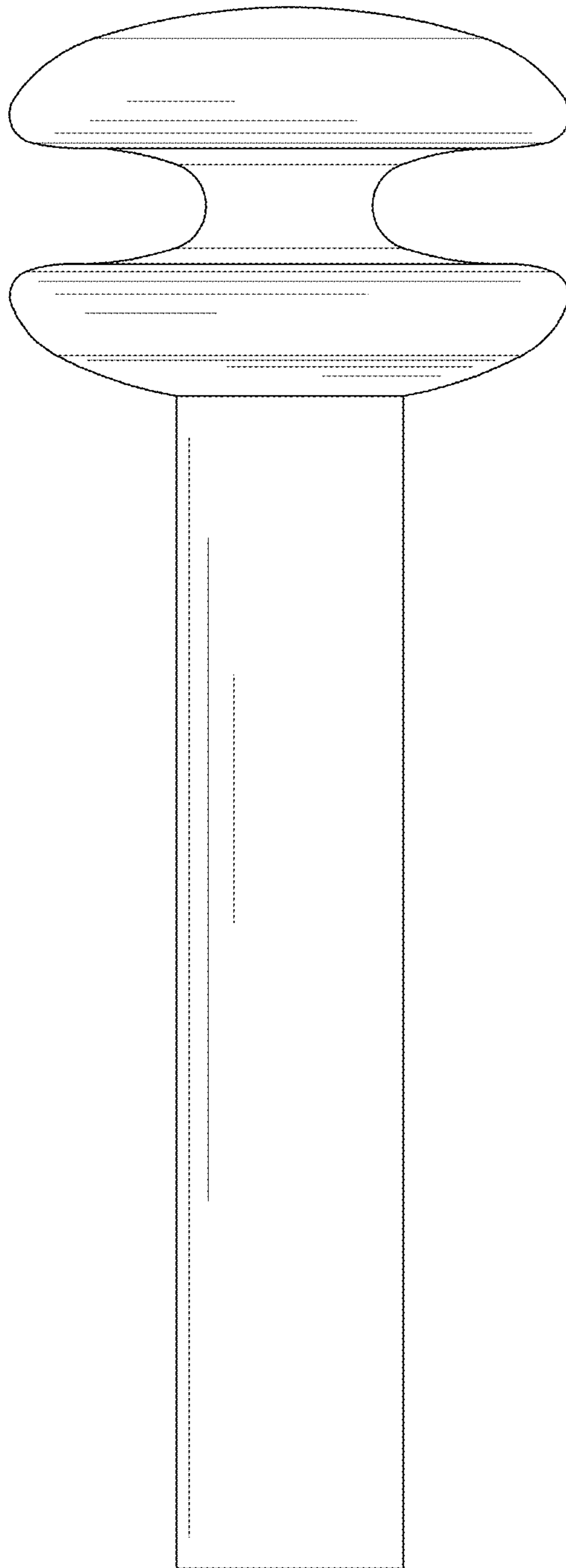


FIG. 4

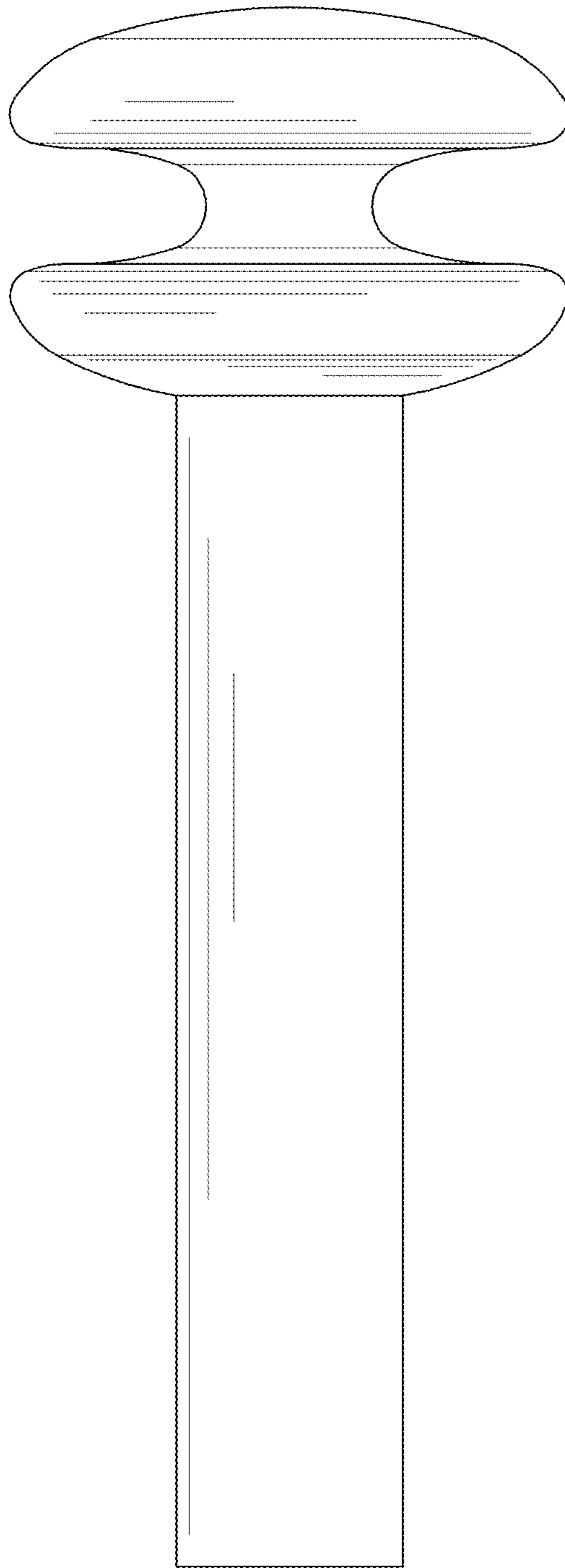


FIG. 5

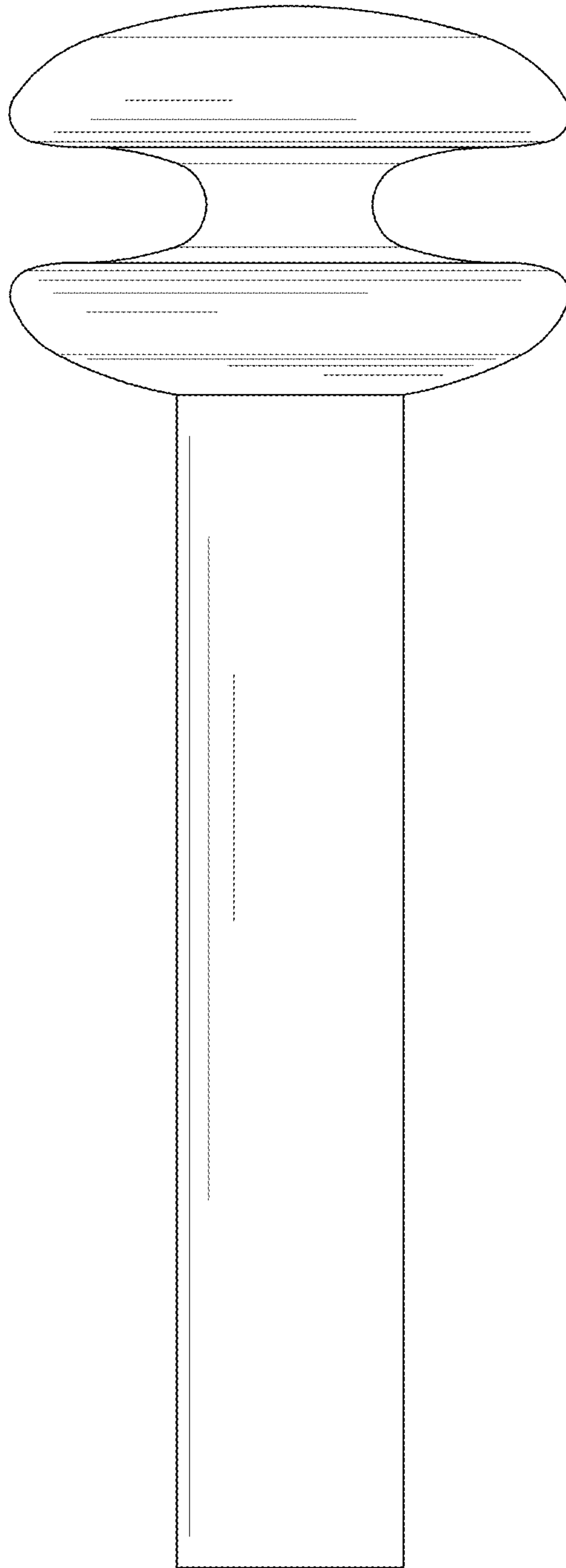


FIG. 6



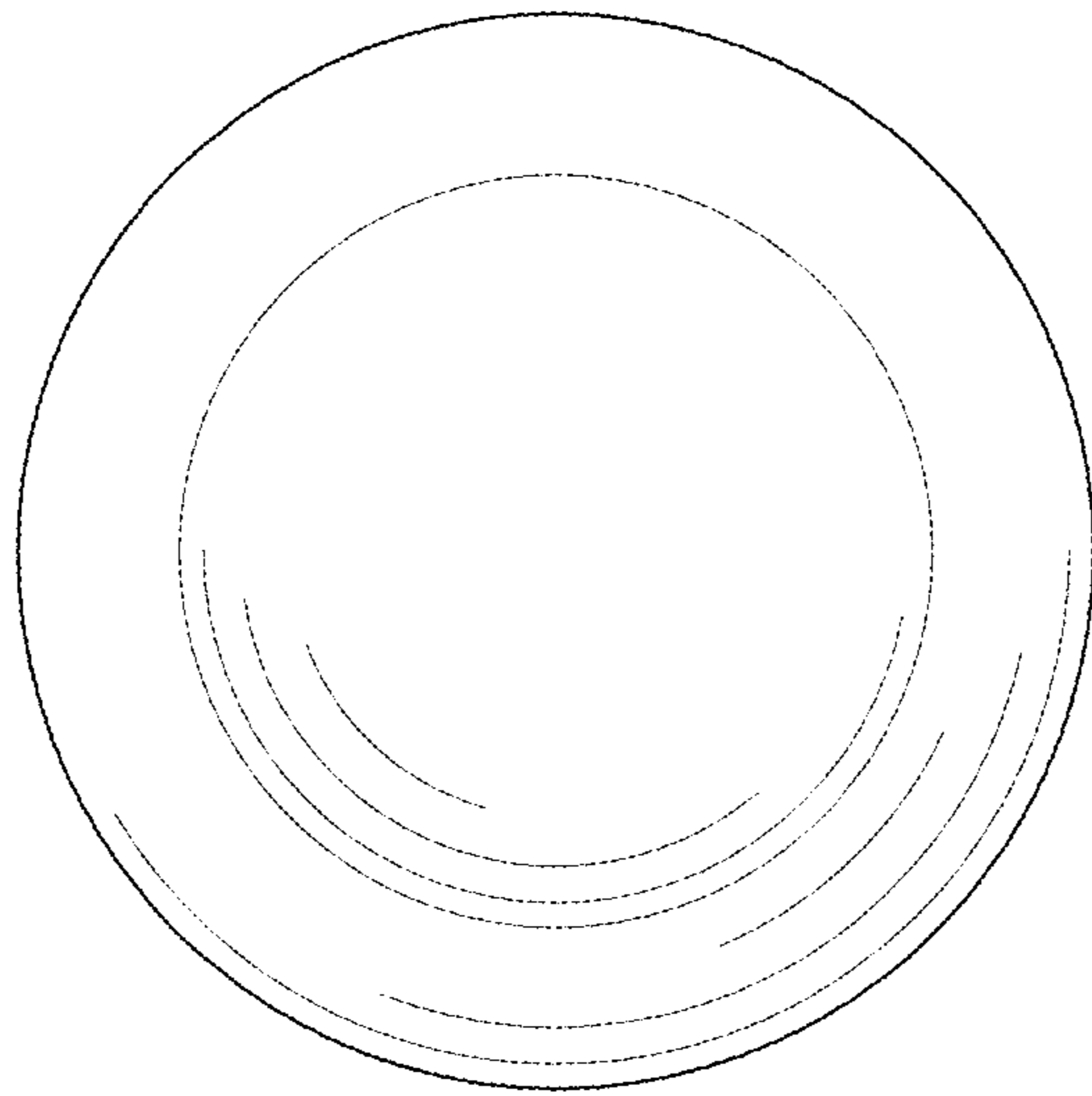


FIG. 7

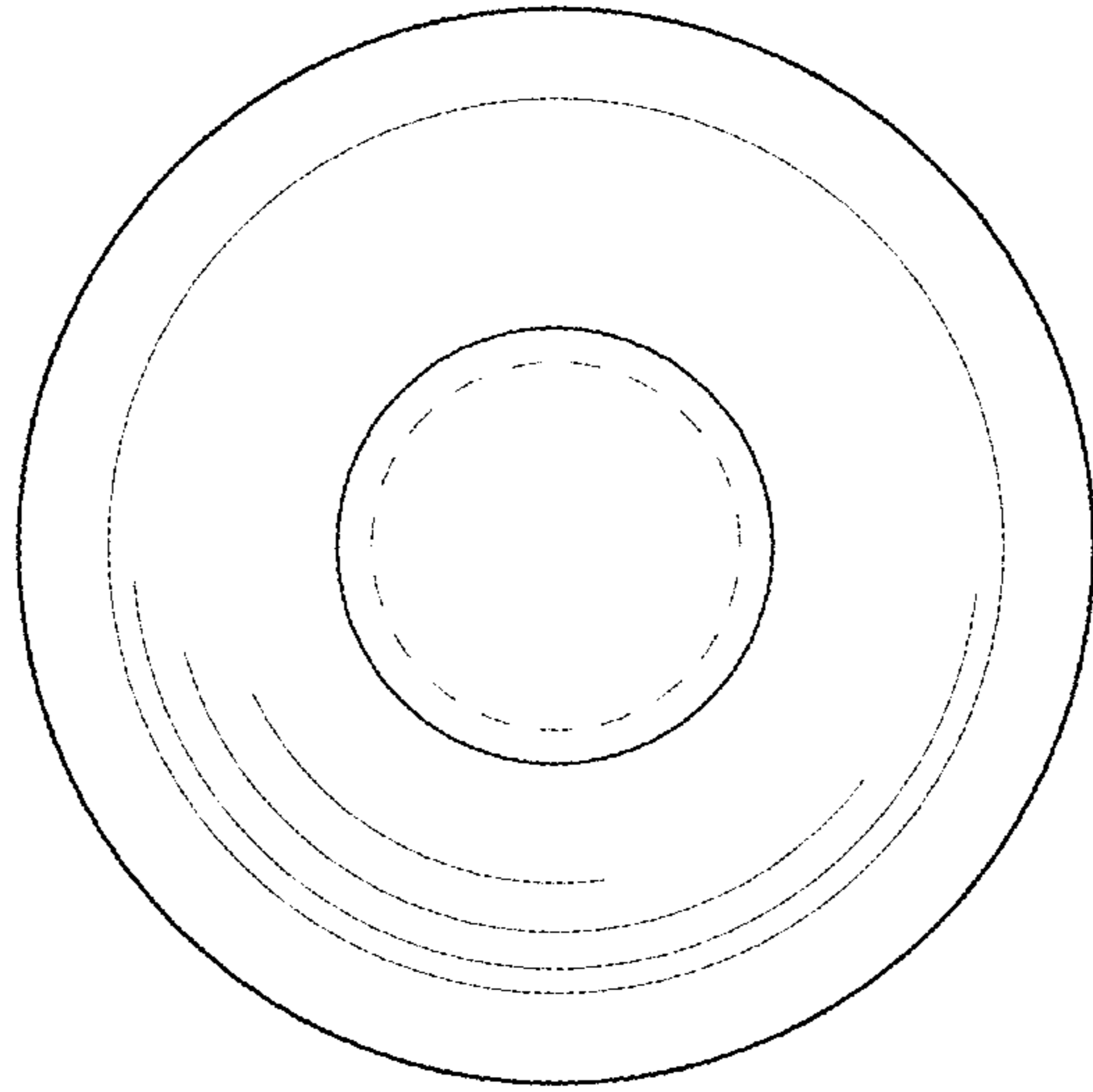


FIG. 8