



US00D984309S

(12) **United States Design Patent** (10) **Patent No.:** **US D984,309 S**  
**Vega** (45) **Date of Patent:** **\*\* Apr. 25, 2023**

(54) **BOUQUET HOLDER**

FOREIGN PATENT DOCUMENTS

(71) Applicant: **Lisa V Co LLC**, Gainesville, FL (US)

GB 1053119 \* 3/1989  
WO WOD046332-001 \* 3/1999

(72) Inventor: **Lisa C. Vega**, Gainesville, FL (US)

OTHER PUBLICATIONS

(73) Assignee: **Lisa V Co LLC**, Gainesville, FL (US)

(\*\*) Term: **15 Years**

Signature plexiglass case. Online [website]. Instagram, posted online by user @fiorebela on Jan. 20, 2022 [retrieved on Nov. 23, 2022]. Retrieved from the internet: <https://www.instagram.com/p/CY9nxz\_vqx8/>. (Year: 2022).\*

(21) Appl. No.: **29/788,122**

(22) Filed: **Mar. 19, 2021**

(Continued)

**Related U.S. Application Data**

(63) Continuation of application No. 29/652,361, filed on Jul. 27, 2020, now Pat. No. Des. 913,842.

*Primary Examiner* — Tracey J Bell

*Assistant Examiner* — Grace Doyle

(51) **LOC (14) Cl.** ..... **11-02**

(74) *Attorney, Agent, or Firm* — Paul Murty; Smith & Hopen, P.A.

(52) **U.S. Cl.**

USPC ..... **D11/143**

(58) **Field of Classification Search**

USPC ... D11/131, 131.1, 143, 144, 145, 146, 147, D11/152, 154, 155, 164; D6/556; D26/55; D19/84, 85, 105  
CPC ... A47G 7/02; A47G 7/03; A47G 7/04; A47G 7/06; A47G 7/006; A61G 17/045; A01G 5/04; A01G 5/06

See application file for complete search history.

(57) **CLAIM**

The ornamental design for a bouquet holder, as shown and described.

(56) **References Cited**

U.S. PATENT DOCUMENTS

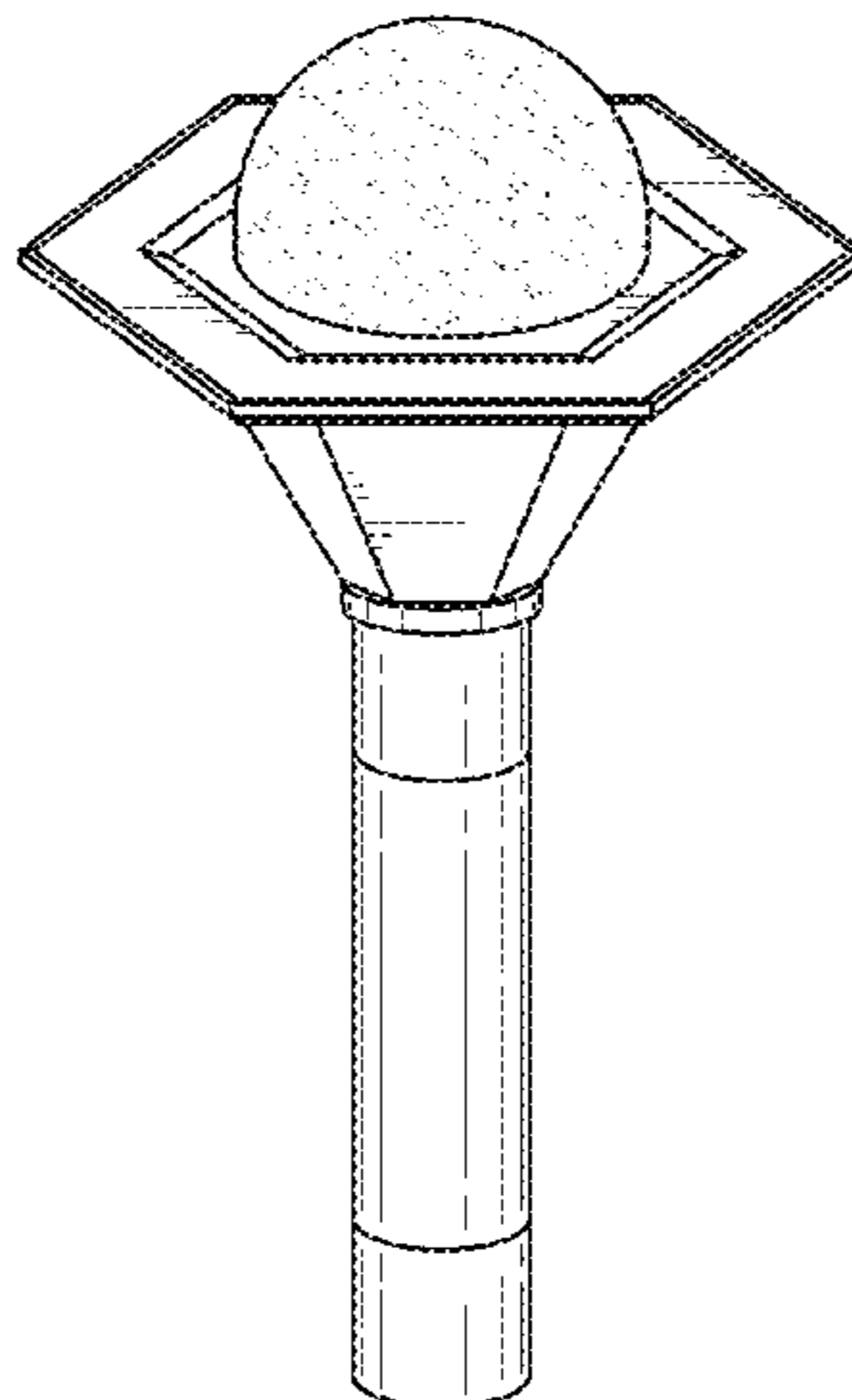
65,204 A \* 5/1867 Frye, Jr. .... B65D 85/505 47/41.01  
D40,562 S \* 3/1910 Dawley ..... D11/143  
D40,563 S \* 3/1910 Dawley ..... A01G 5/04 D11/143  
1,562,992 A \* 11/1925 Schling ..... A47G 7/06 47/41.13  
D86,469 S \* 3/1932 Peters ..... A01G 5/06 D19/84  
4,204,365 A \* 5/1980 Hirvi ..... A01G 5/04 47/41.12  
4,381,623 A \* 5/1983 Koistinen ..... A01G 5/06 D11/164

**DESCRIPTION**

FIG. 1 is a side perspective view of a bouquet holder.  
FIG. 2 is a front elevation view thereof.  
FIG. 3 is a rear elevation view thereof.  
FIG. 4 is a right-side elevation view thereof.  
FIG. 5 is a left-side elevation view thereof.  
FIG. 6 is a top plan view thereof.  
FIG. 7 is a bottom plan view thereof.  
FIG. 8 is a rear elevation view thereof.  
FIG. 9 is a rear perspective view thereof; and,  
FIG. 10 is a rear perspective view thereof.  
The display box, flowers, and floral arrangements delineated in broken lines are environment and form no part of the claimed design.

(Continued)

**1 Claim, 9 Drawing Sheets**



(56)

**References Cited**

U.S. PATENT DOCUMENTS

D902,776 S \* 11/2020 Bansal ..... B65D 85/505  
D11/143  
D913,842 S \* 3/2021 Vega ..... A01G 5/02  
D11/155  
2008/0072486 A1\* 3/2008 Castillo ..... A01G 5/04  
47/41.13  
2013/0277243 A1\* 10/2013 Wu ..... A47G 7/06  
206/216  
2020/0187424 A1\* 6/2020 Mueller ..... A01G 5/02

OTHER PUBLICATIONS

Our bridal bouquet/. Online [website]. Instagram, posted online by user @venusetfleur on Nov. 18, 2019 [retrieved on Nov. 23, 2022]. Retrieved from the internet: <<https://www.instagram.com/p/B5BkHxZpyUL/?hl=en>>. (Year: 2019).\*

Yageli Acrylic Bouquet Holder. Online [website]. Acrylic Display Supplier, 2021 [retrieved on Nov. 23, 2022]. Retrieved from the internet: <[www.acrylicdisplaysupplier.com/acrylic-holder/acrylic-bouquet-holder.html](http://www.acrylicdisplaysupplier.com/acrylic-holder/acrylic-bouquet-holder.html)>. (Year: 2021).\*

Customizable rose bouquet. Online [website]. Instagram, posted online by user @espoir.boston on Sep. 14, 2022 [retrieved on Nov. 23, 2022]. Retrieved from the internet: <<https://www.instagram.com/p/CifU290DMEP/>>. (Year: 2022).\*

\* cited by examiner

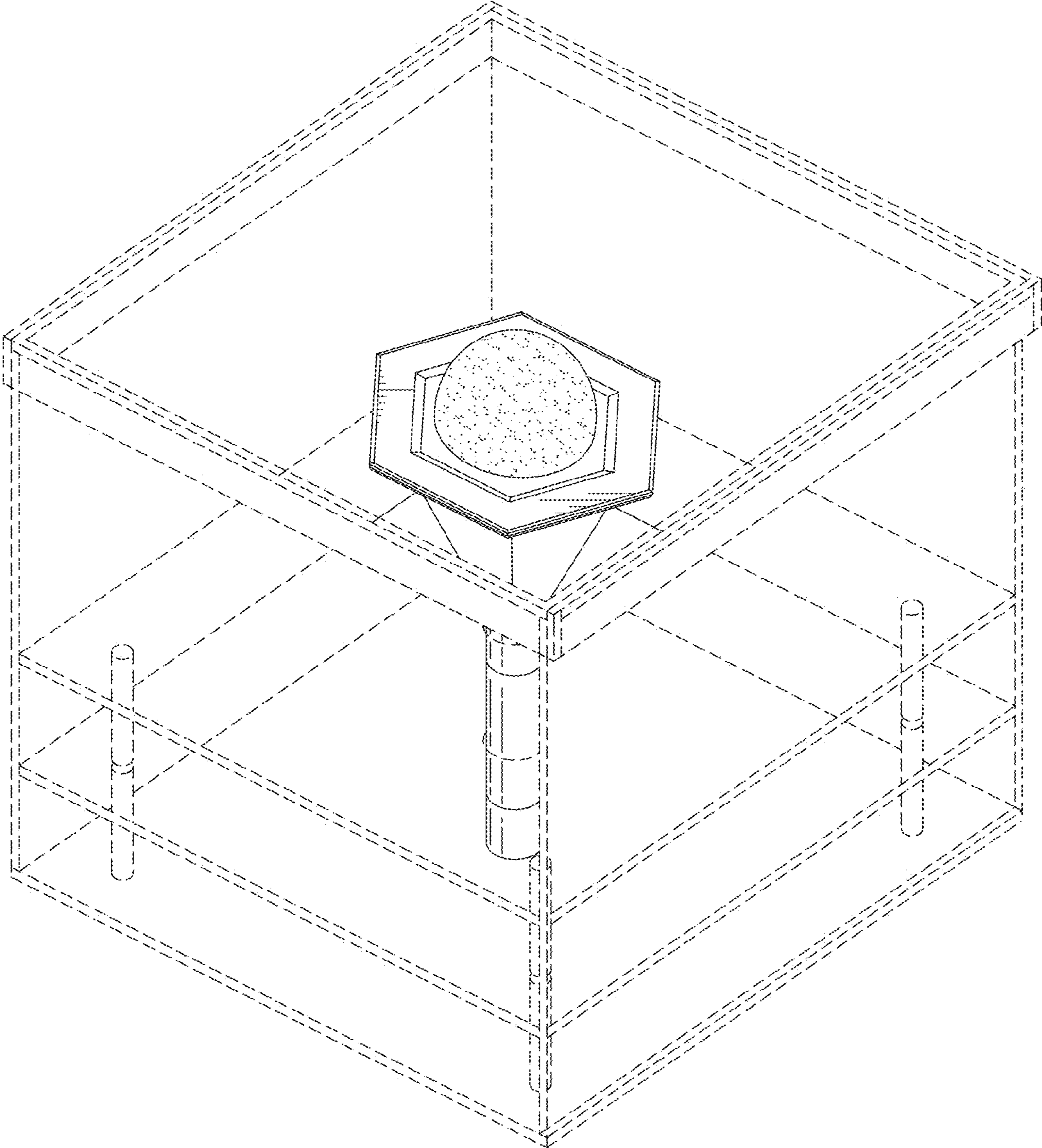


FIG. 1

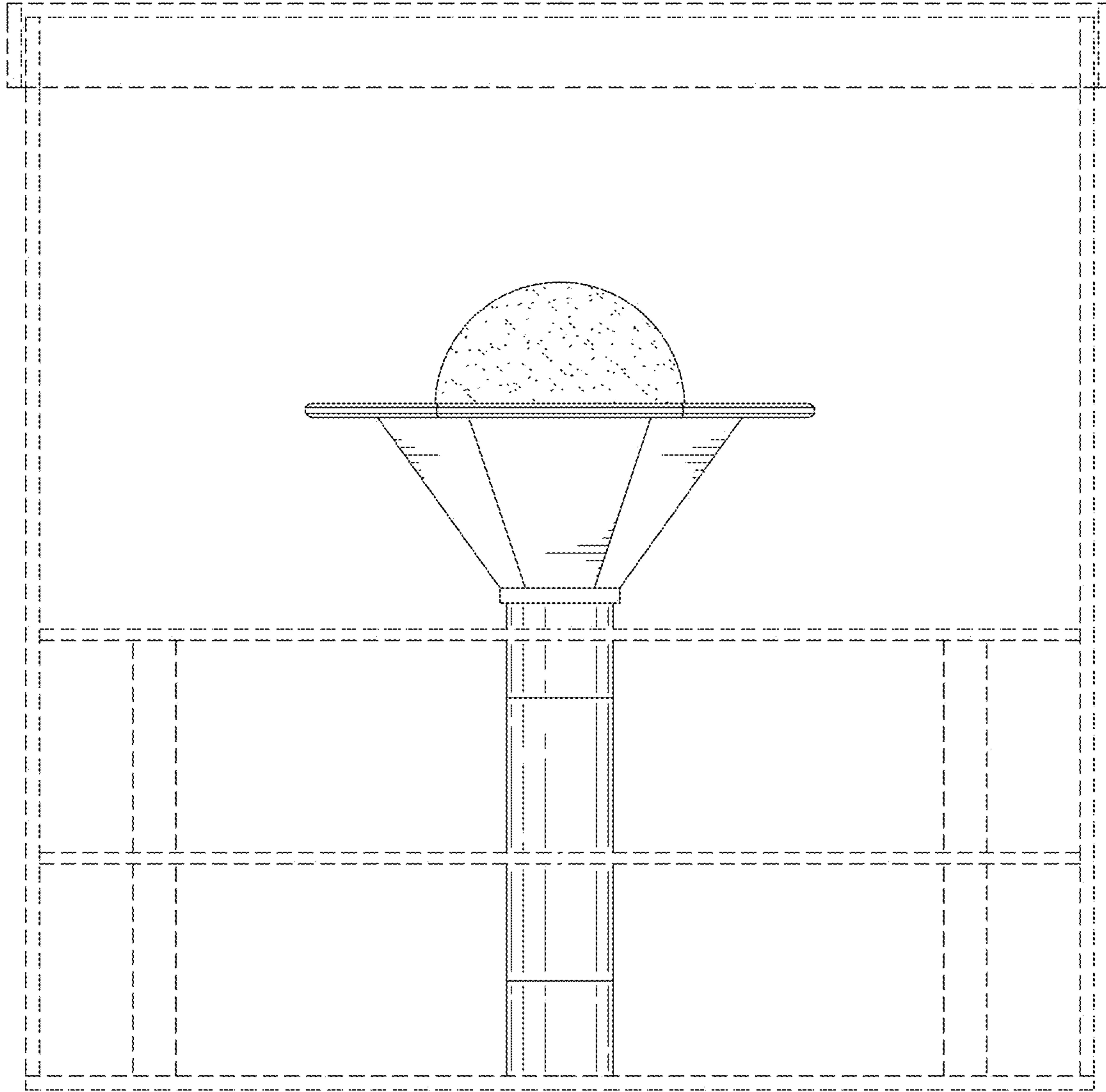


FIG. 2

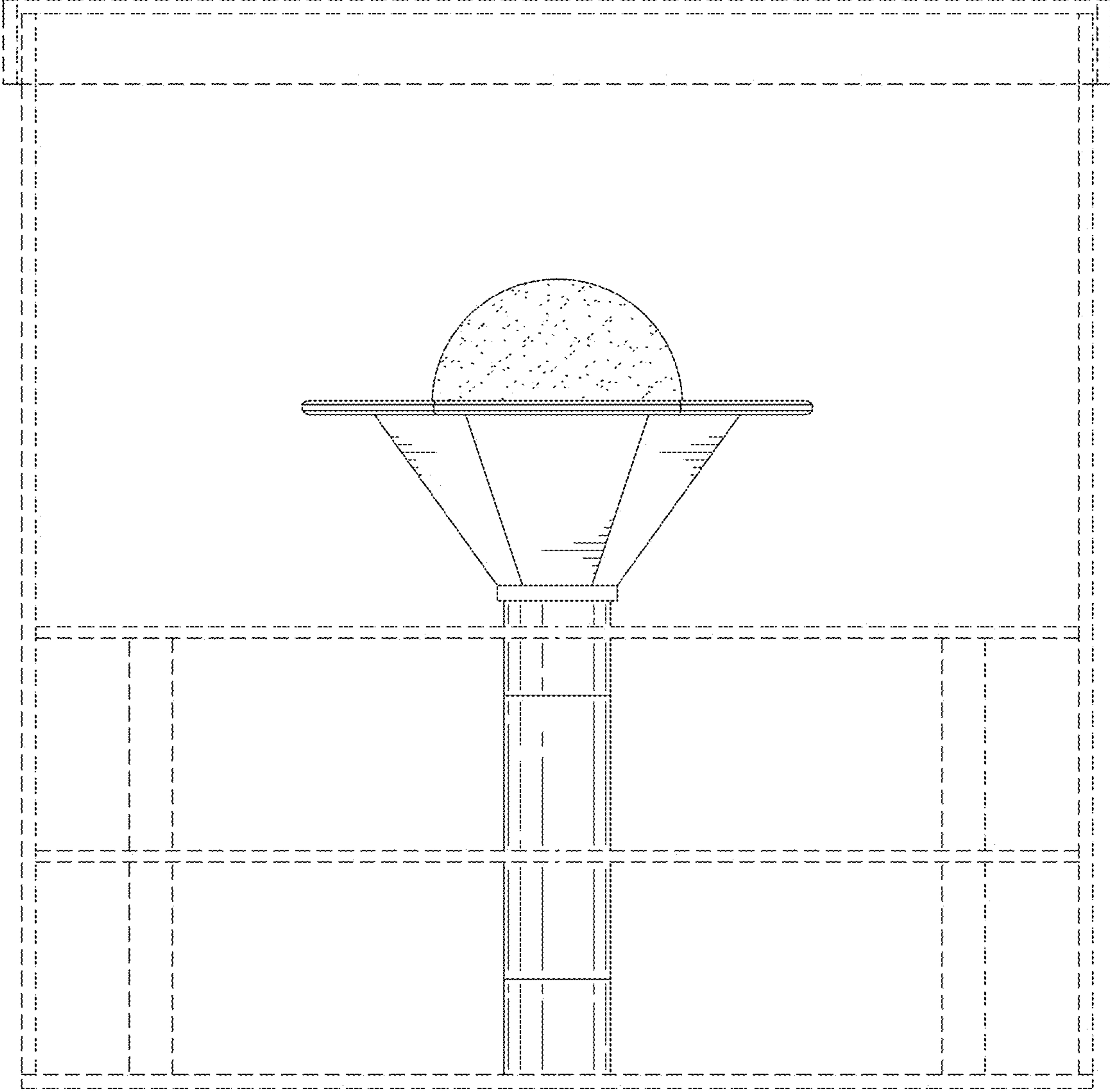


FIG. 3

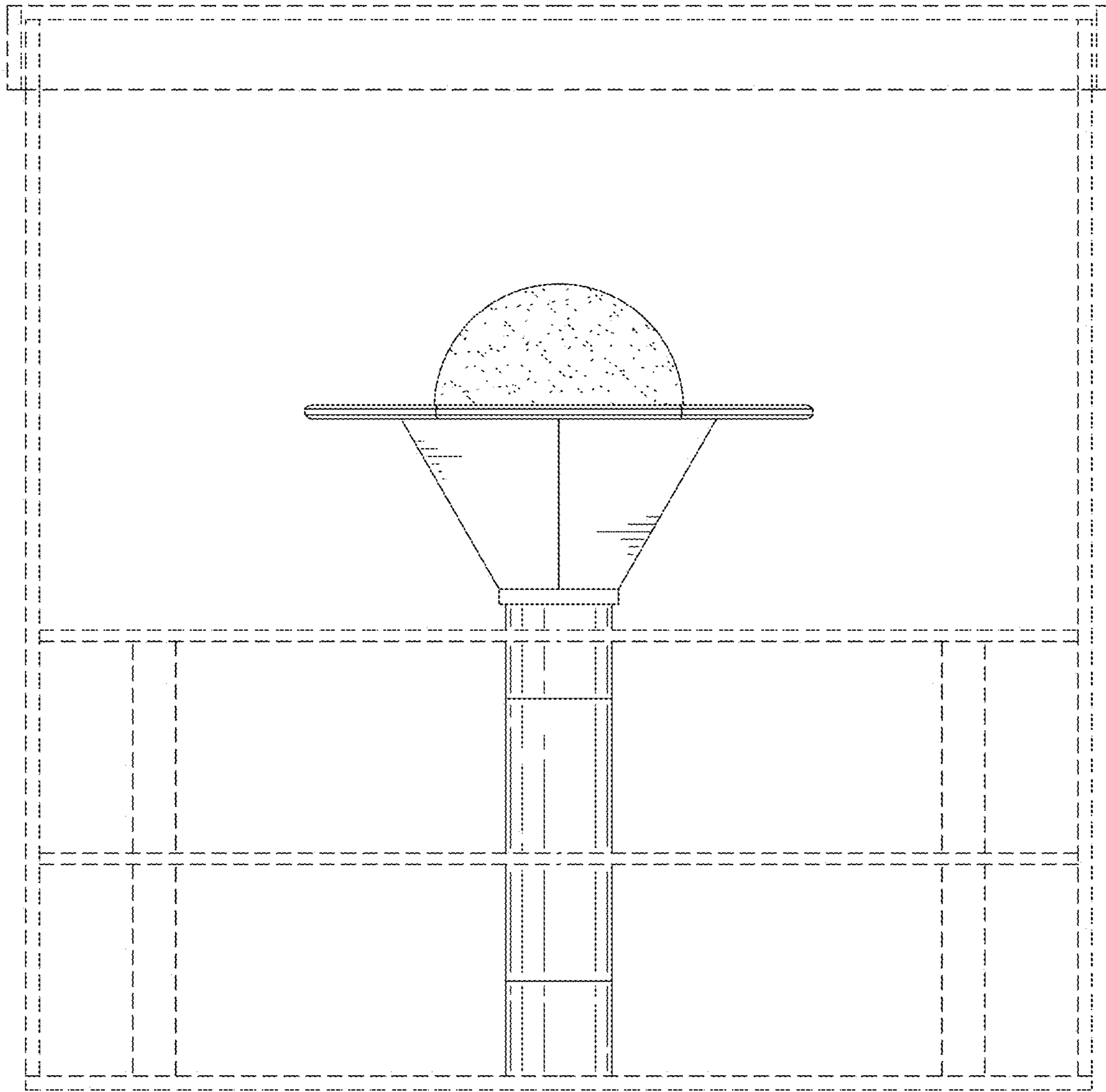


FIG. 4

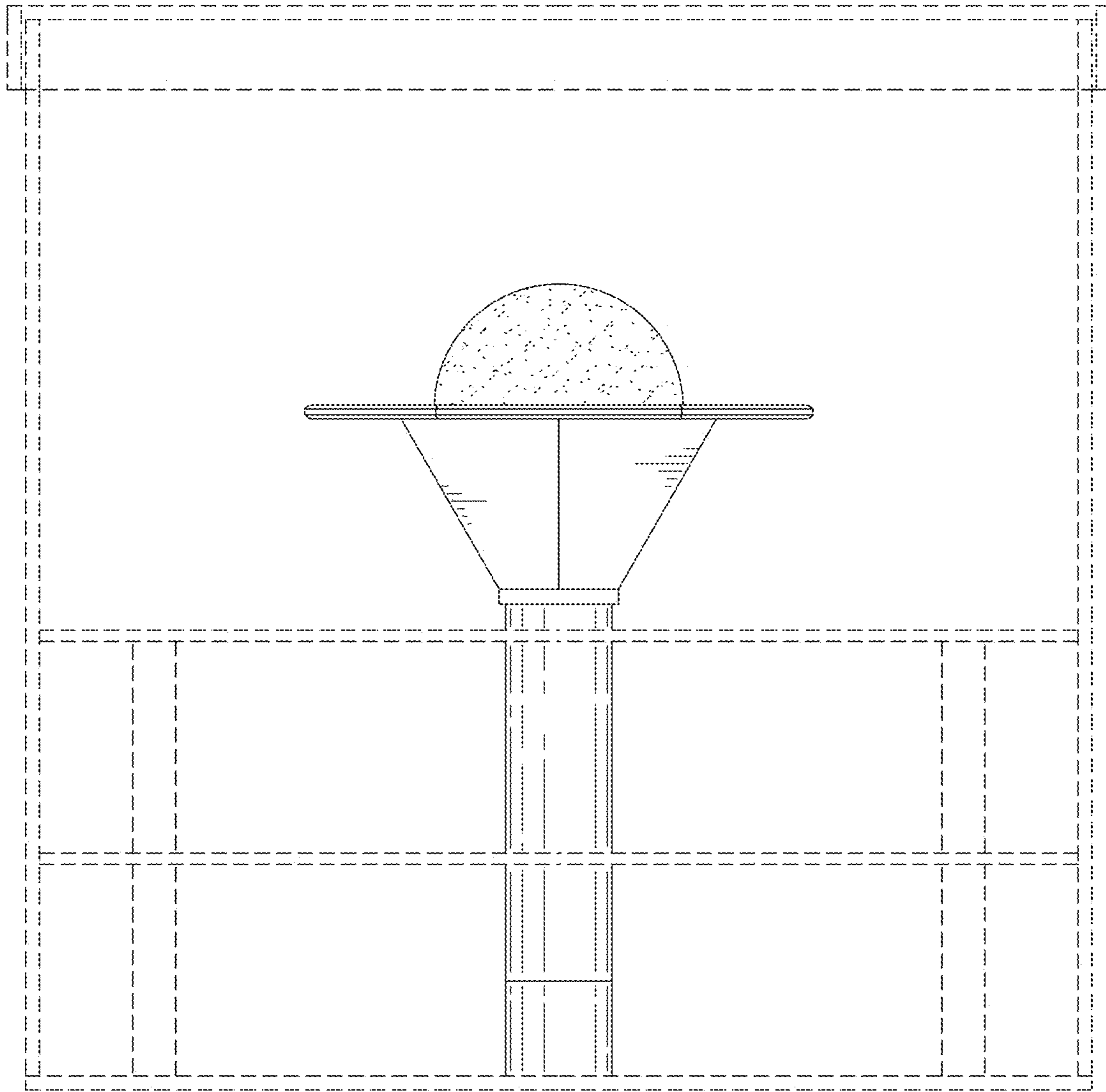


FIG. 5

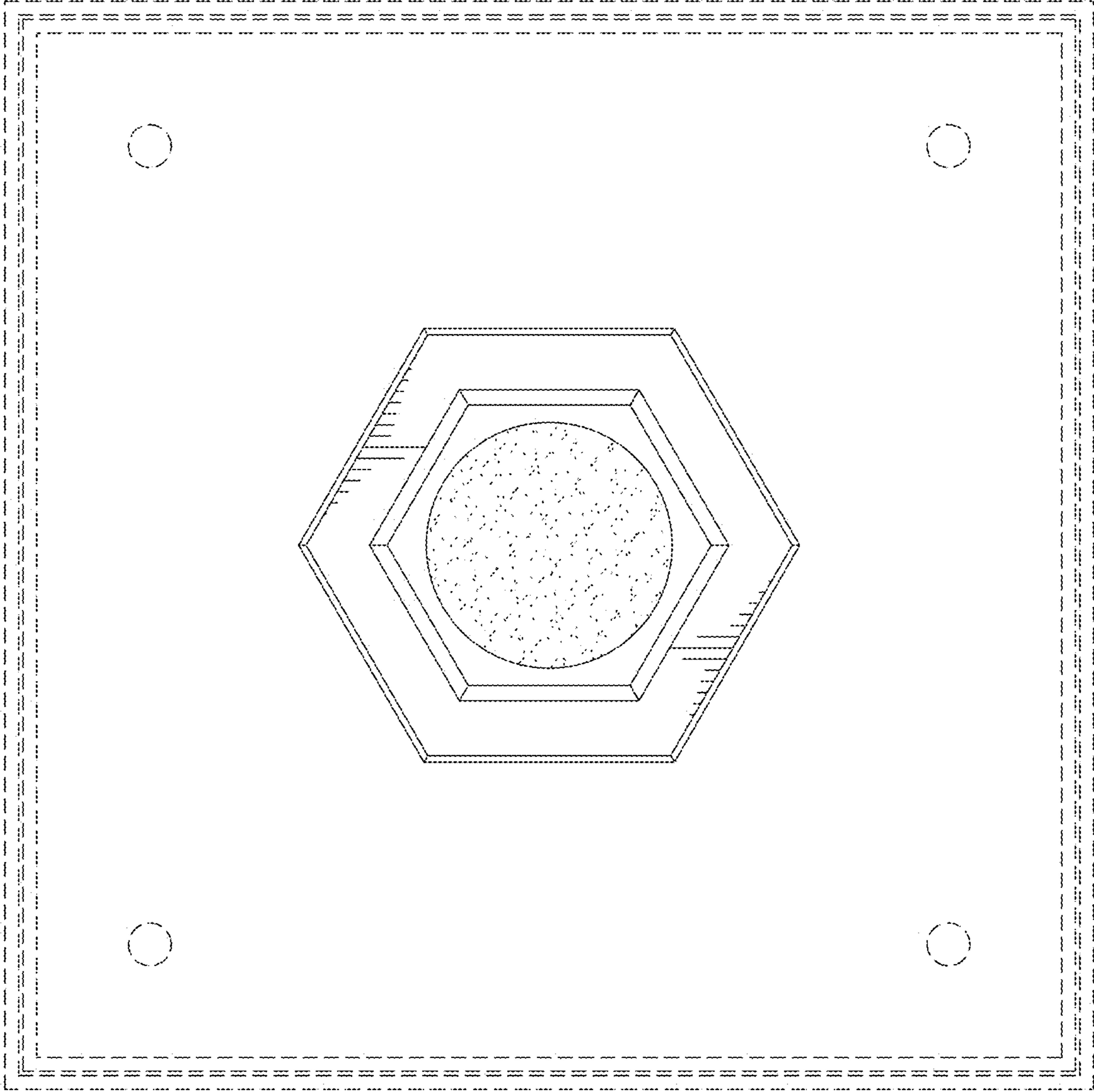


FIG. 6



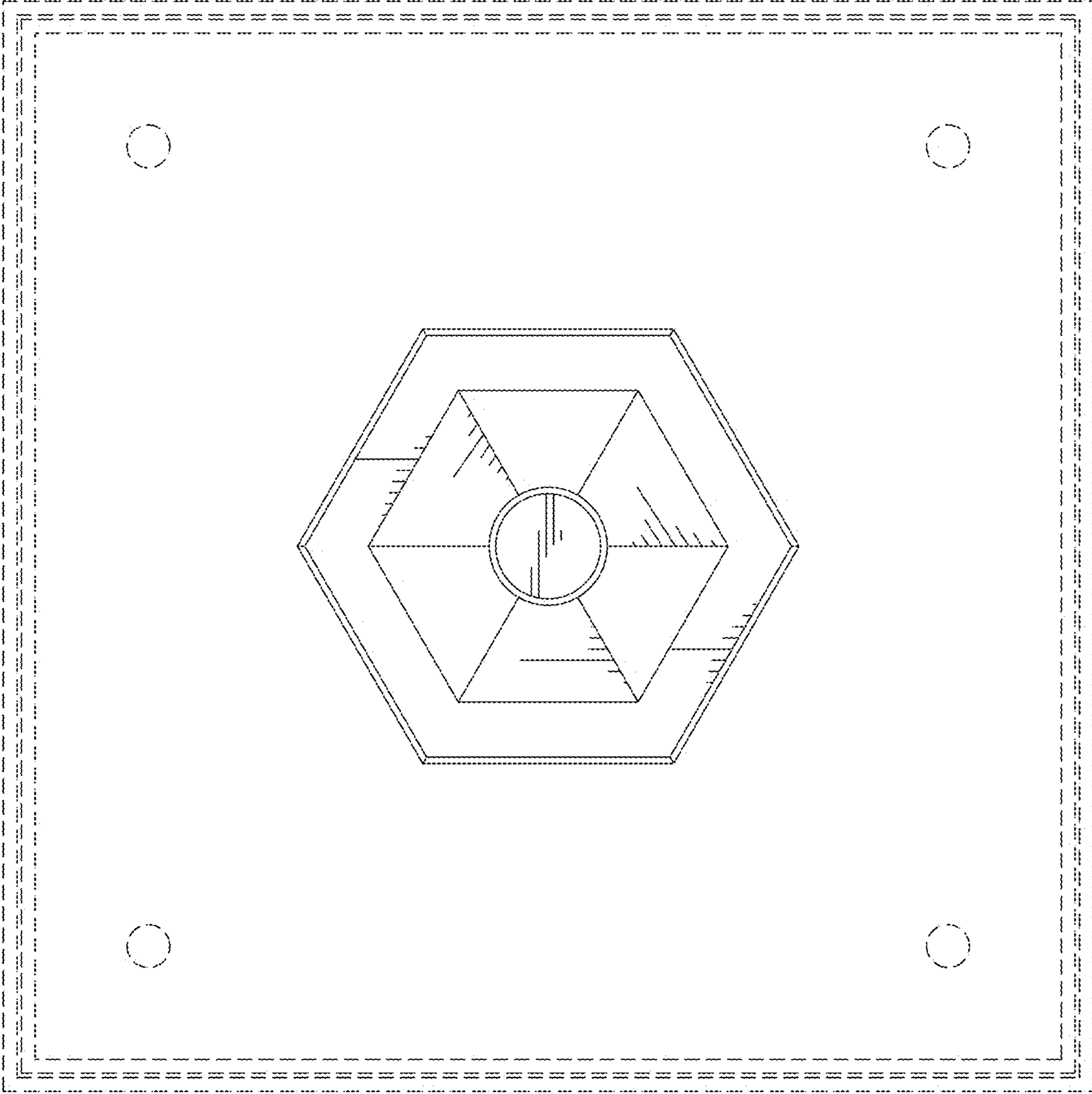


FIG. 7

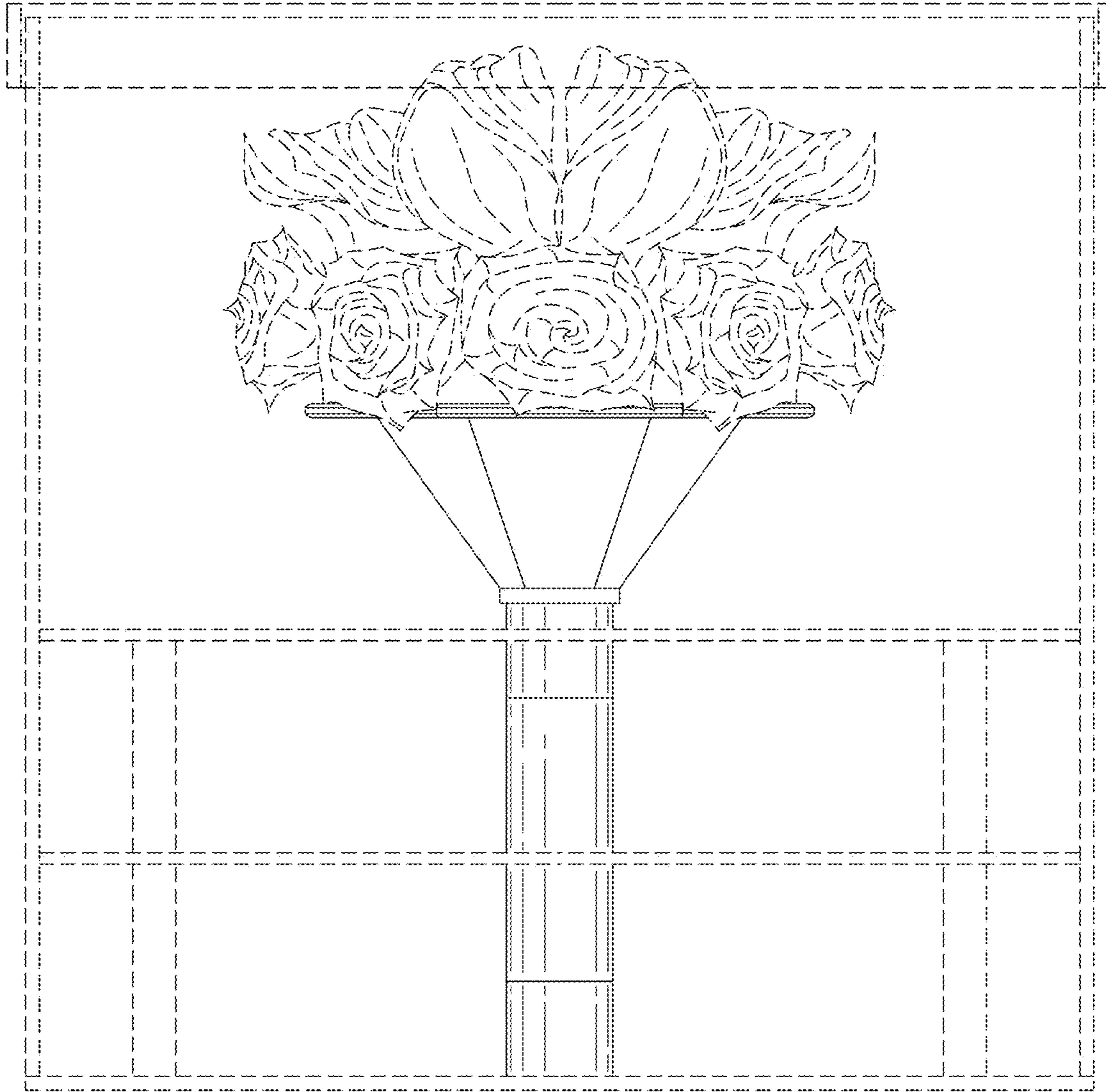


FIG. 8

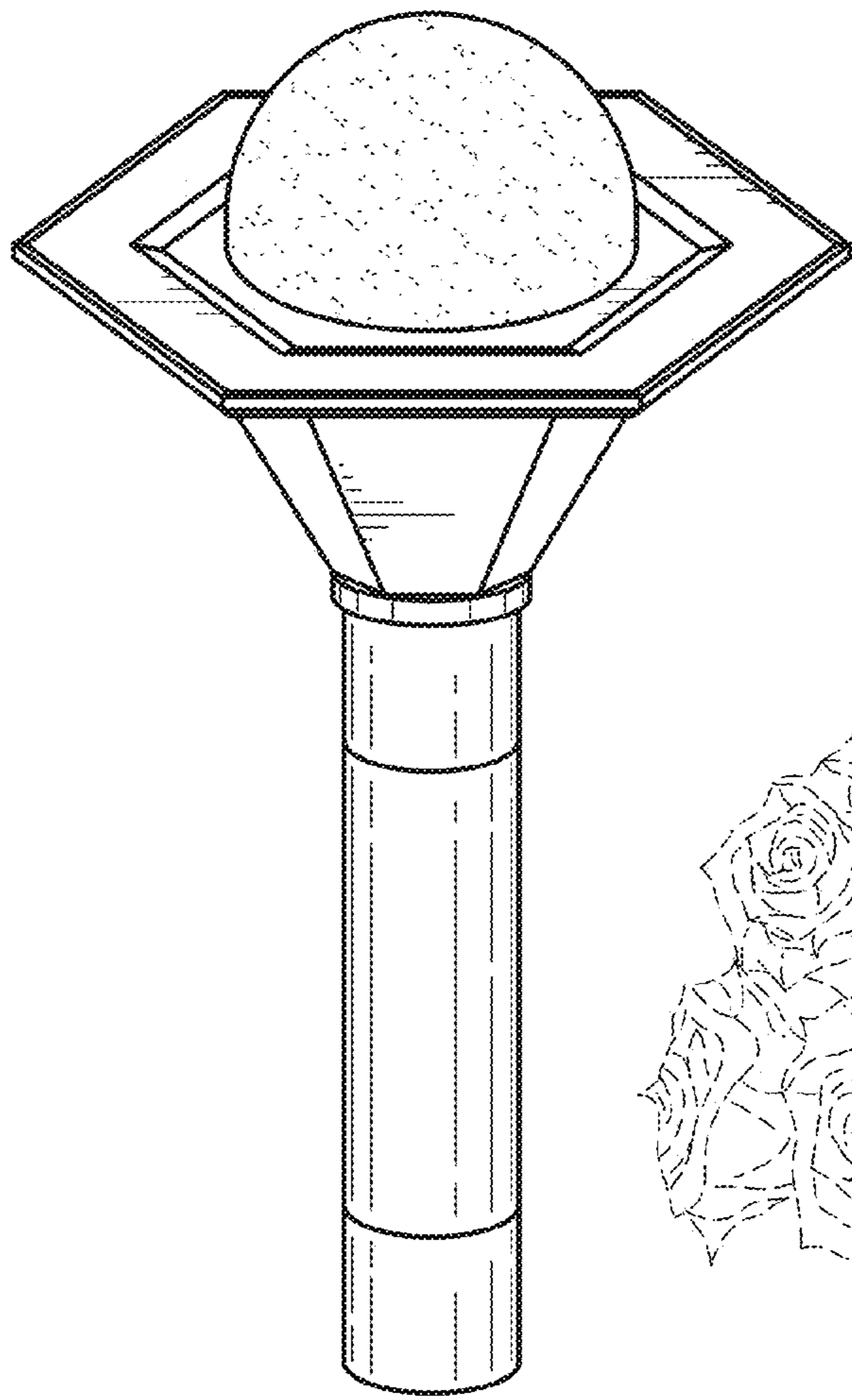


FIG. 9

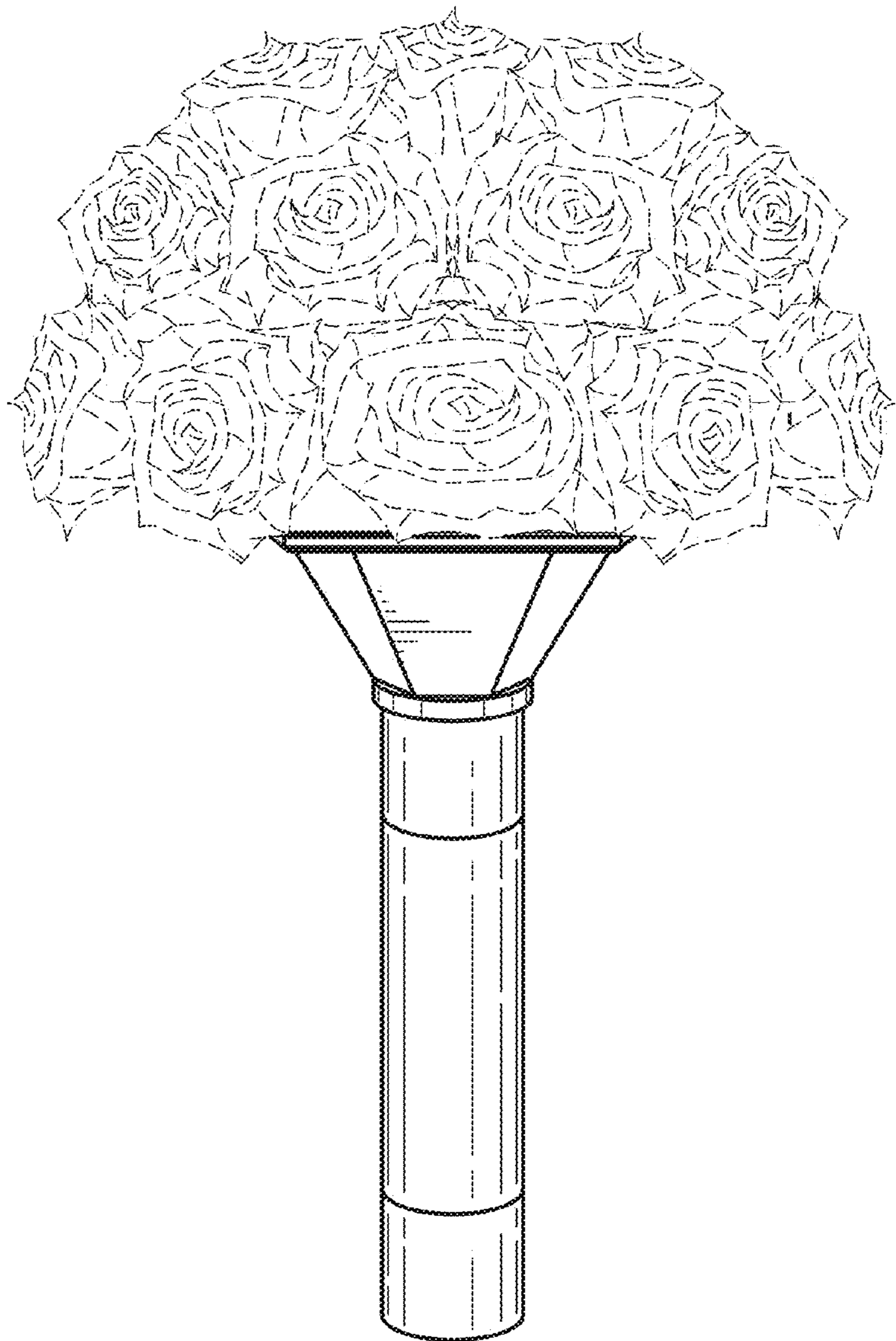


FIG. 10