



US00D984305S

(12) **United States Design Patent**
Tashjian

(10) **Patent No.:** **US D984,305 S**

(45) **Date of Patent:** **** Apr. 25, 2023**

(54) **CHARM**

(71) Applicant: **Venus by Maria Tash, Inc.**, New York, NY (US)

(72) Inventor: **Maria Tashjian**, New York, NY (US)

(73) Assignee: **Venus by Maria Tash, Inc.**, New York, NY (US)

(**) Term: **15 Years**

(21) Appl. No.: **29/845,669**

(22) Filed: **Jul. 8, 2022**

(51) **LOC (14) Cl.** **11-01**

(52) **U.S. Cl.**
USPC **D11/86; D11/40; D11/89**

(58) **Field of Classification Search**
USPC D11/1, 2, 7-12, 16, 26-28, 34-45, 47,
D11/70, 73, 75, 79-92; 62/1.11-14.1, 20,
62/22, 23, 26-33

(Continued)

(56) **References Cited**

U.S. PATENT DOCUMENTS

D61,600 S * 10/1922 Page D11/47
1,973,282 A * 9/1934 Brush A44C 7/007
D11/43

(Continued)

FOREIGN PATENT DOCUMENTS

CN 304688843 * 6/2018
CN 307081806 * 1/2022

(Continued)

OTHER PUBLICATIONS

Spencers [online] URL: <https://www.spencersonline.com/product/spike-dangle-huggie-hoop-earrings-18-gauge/179682.uts> (site visited: Sep. 22, 2022) (Year: 2020).*

(Continued)

Primary Examiner — Jae Liang

Assistant Examiner — Tia Ruth-Renee Polidori

(74) *Attorney, Agent, or Firm* — Dentons US LLP

(57) **CLAIM**

The ornamental design for a charm, as shown and described.

DESCRIPTION

FIG. 1 is a perspective view of a first embodiment for a charm showing my new design;
FIG. 2 is a front view thereof;
FIG. 3 is a back view thereof;
FIG. 4 is a right view thereof;
FIG. 5 is a left view thereof;
FIG. 6 is a top view thereof;
FIG. 7 is a bottom view thereof;
FIG. 8 is a perspective view of a second embodiment for a charm showing my new design;
FIG. 9 is a front view thereof;
FIG. 10 is a back view thereof;
FIG. 11 is a right view thereof;
FIG. 12 is a left view thereof;
FIG. 13 is a top view thereof;
FIG. 14 is a bottom view thereof;
FIG. 15 is a perspective view of a third embodiment for a charm showing my new design;
FIG. 16 is a front view thereof;
FIG. 17 is a back view thereof;
FIG. 18 is a right view thereof;
FIG. 19 is a left view thereof;
FIG. 20 is a top view thereof;
FIG. 21 is a bottom view thereof;
FIG. 22 is a perspective view of a fourth embodiment for a charm showing my new design;
FIG. 23 is a front view thereof;
FIG. 24 is a back view thereof;
FIG. 25 is a right view thereof;
FIG. 26 is a left view thereof;
FIG. 27 is a top view thereof;
FIG. 28 is a bottom view thereof;

(Continued)

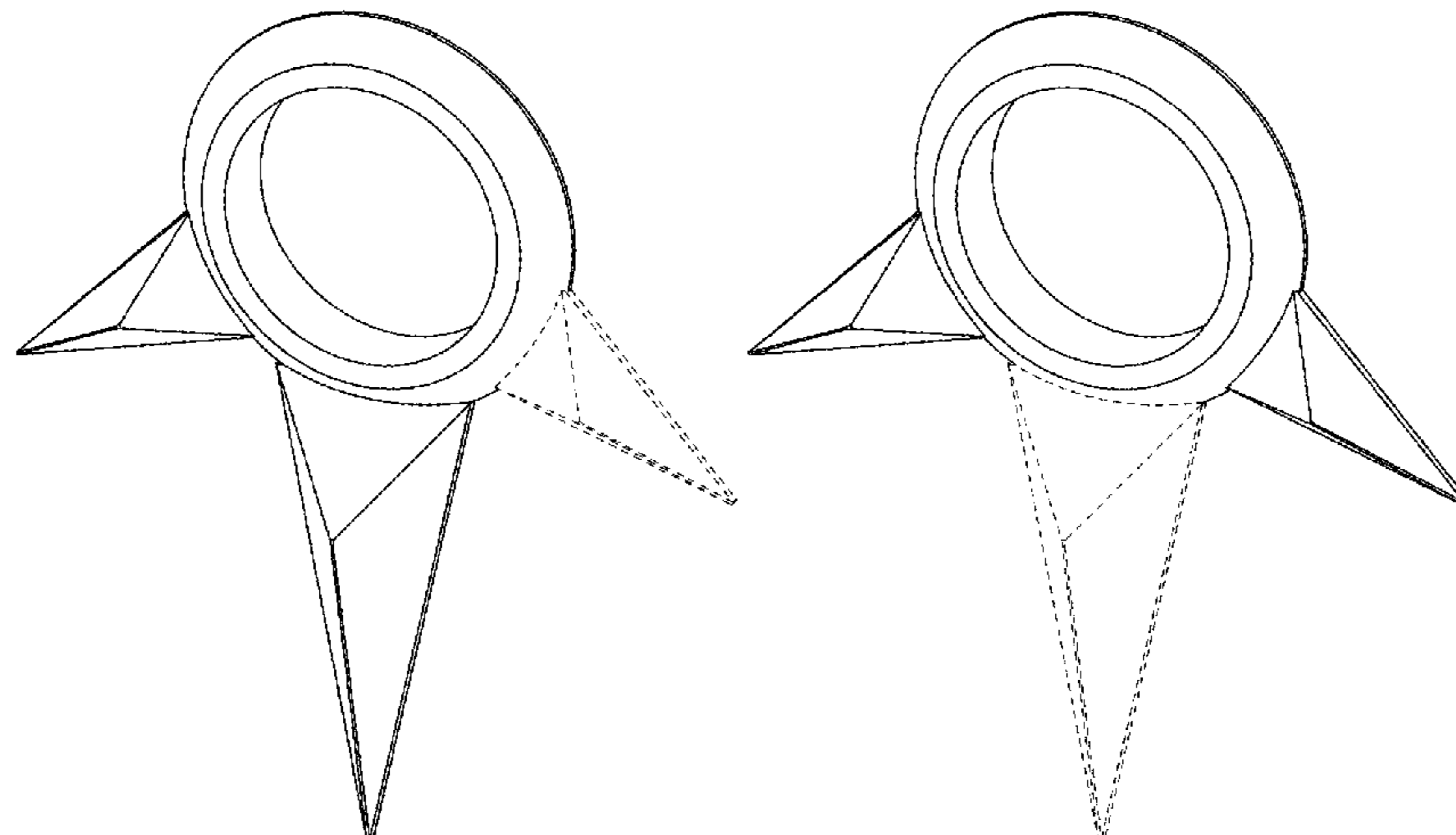


FIG. 29 is a perspective view of a fifth embodiment for a charm showing my new design;
 FIG. 30 is a front view thereof;
 FIG. 31 is a back view thereof;
 FIG. 32 is a right view thereof;
 FIG. 33 is a left view thereof;
 FIG. 34 is a top view thereof;
 FIG. 35 is a bottom view thereof;
 FIG. 36 is a perspective view of a sixth embodiment for a charm showing my new design;
 FIG. 37 is a front view thereof;
 FIG. 38 is a back view thereof;
 FIG. 39 is a right view thereof;
 FIG. 40 is a left view thereof;
 FIG. 41 is a top view thereof;
 FIG. 42 is a bottom view thereof;
 FIG. 43 is a perspective view of a seventh embodiment for a charm showing my new design;
 FIG. 44 is a front view thereof;
 FIG. 45 is a back view thereof;
 FIG. 46 is a right view thereof;
 FIG. 47 is a left view thereof;
 FIG. 48 is a top view thereof;
 FIG. 49 is a bottom view thereof;
 FIG. 50 is a perspective view of an eighth embodiment for a charm showing my new design;
 FIG. 51 is a front view thereof;
 FIG. 52 is a back view thereof;
 FIG. 53 is a right view thereof;
 FIG. 54 is a left view thereof;
 FIG. 55 is a top view thereof; and,
 FIG. 56 is a bottom view thereof.
 Broken lines shown in drawings illustrate portions that form no part of claimed design.

1 Claim, 24 Drawing Sheets

(58) **Field of Classification Search**

CPC A44C 7/00; A44C 7/003; A44C 7/004;
 A44C 7/005; A44C 7/006; A44C 7/007;
 A44C 7/008

See application file for complete search history.

(56)

References Cited

U.S. PATENT DOCUMENTS

D131,159	S	*	1/1942	Grombecker	D11/61
D147,962	S	*	11/1947	Deutsch	D11/75
D169,804	S	*	6/1953	De Stefano	D11/83
D275,560	S	*	9/1984	Williams	D11/124
D280,394	S	*	9/1985	Lee	D22/115
D373,970	S	*	9/1996	Gonzalez	D11/75
D718,177	S	*	11/2014	Lipton	D11/89
D735,070	S	*	7/2015	Jayarathne	D11/89
D755,664	S	*	5/2016	Morgan	D11/96
D821,910	S	*	7/2018	Stern	D11/34
D822,531	S	*	7/2018	Stern	D11/40
D822,532	S	*	7/2018	Stern	D11/40
11,140,954	B2		10/2021	Melas		
2007/0044512	A1		3/2007	Smith		
2012/0037672	A1*		2/2012	Nazarenko	G02C 3/006 224/101
2015/0013383	A1		1/2015	Weems et al.		
2015/0013384	A1		1/2015	Weems et al.		
2015/0013385	A1		1/2015	Weems et al.		
2015/0143847	A1		5/2015	Weems et al.		
2015/0173471	A1		6/2015	Weems et al.		
2018/0140059	A1		5/2018	Dye		

FOREIGN PATENT DOCUMENTS

GB	8205153000-100	*	10/2019
HK	1913790-0005	*	11/2019
JP	2011083537	A	4/2011
KR	300927462.0000	*	10/2017
KR	301054308.0000	*	4/2020
WO	WO2007022632		3/2007
WO	WO2015006533	A1	1/2015
WO	WO2015123649	A1	8/2015
WO	WOD200730-001	*	6/2019
WO	WOD205153-001	*	5/2020

OTHER PUBLICATIONS

Uncommon James [online] URL: <https://uncommonjames.com/products/rebel-hoops?> (site visited: Sep. 22, 2022) (Year: 2021).*
 Vogue [online] URL: <https://www.mariatash.com/vogue-mens-june> (site visited: Sep. 22, 2022) (Year: 2021).*
 Etsy [online] URL: <https://www.etsy.com/listing/1001126927/spike-charm-24k-bouy-pendant-23x7mm> (site visited: Dec. 1, 2022) (Year: 2022).*

* cited by examiner

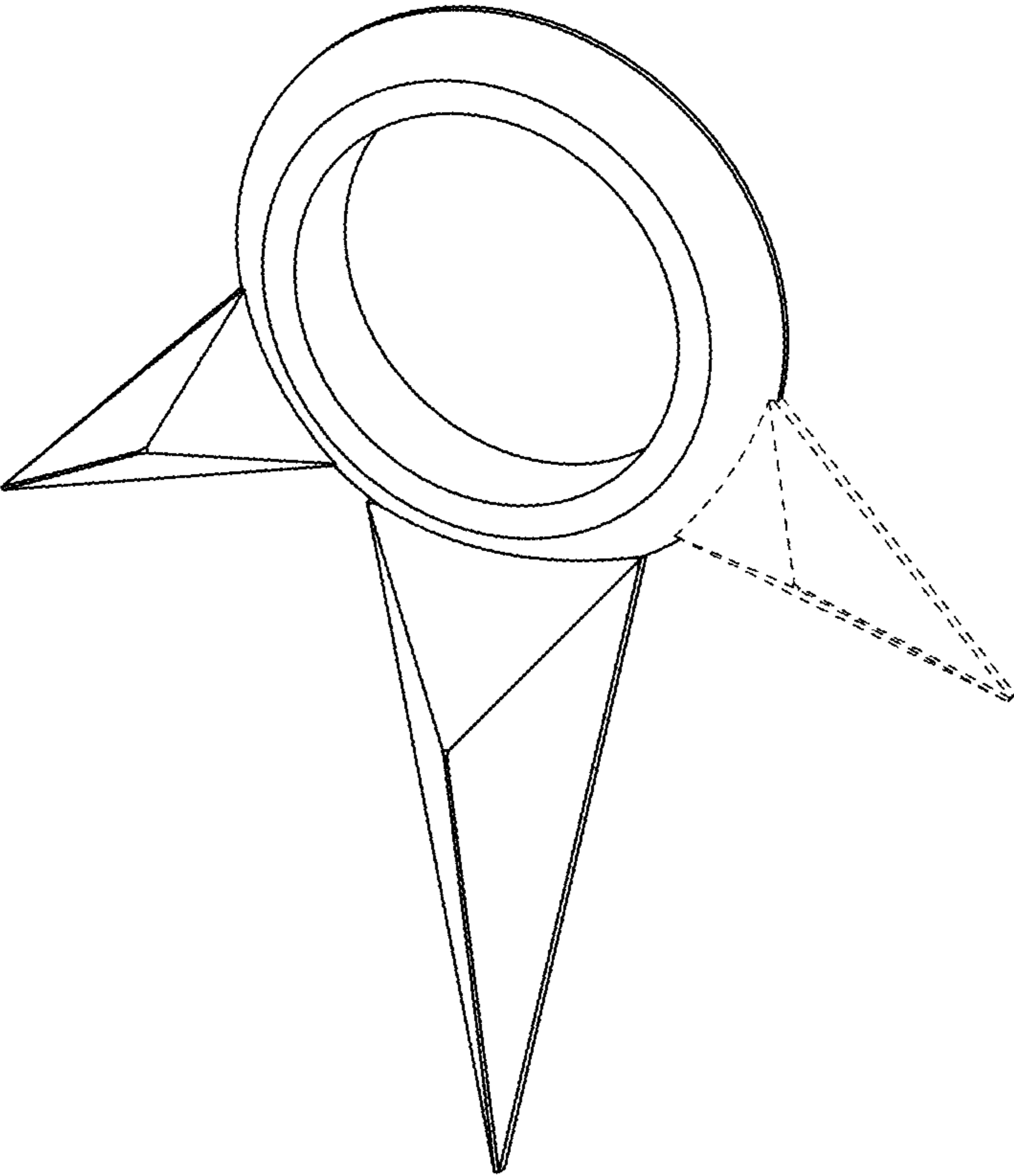


FIG. 1

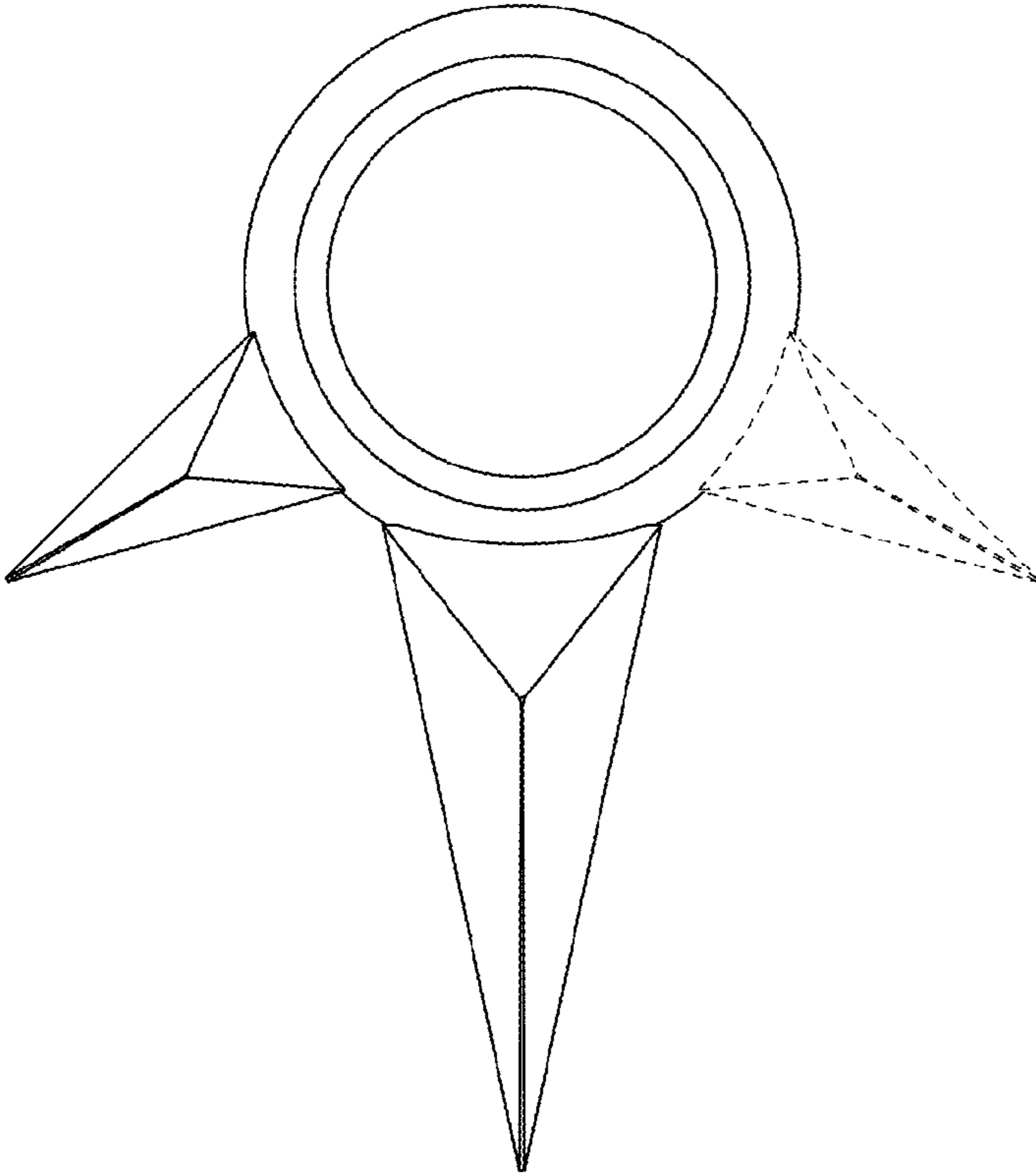


FIG. 2

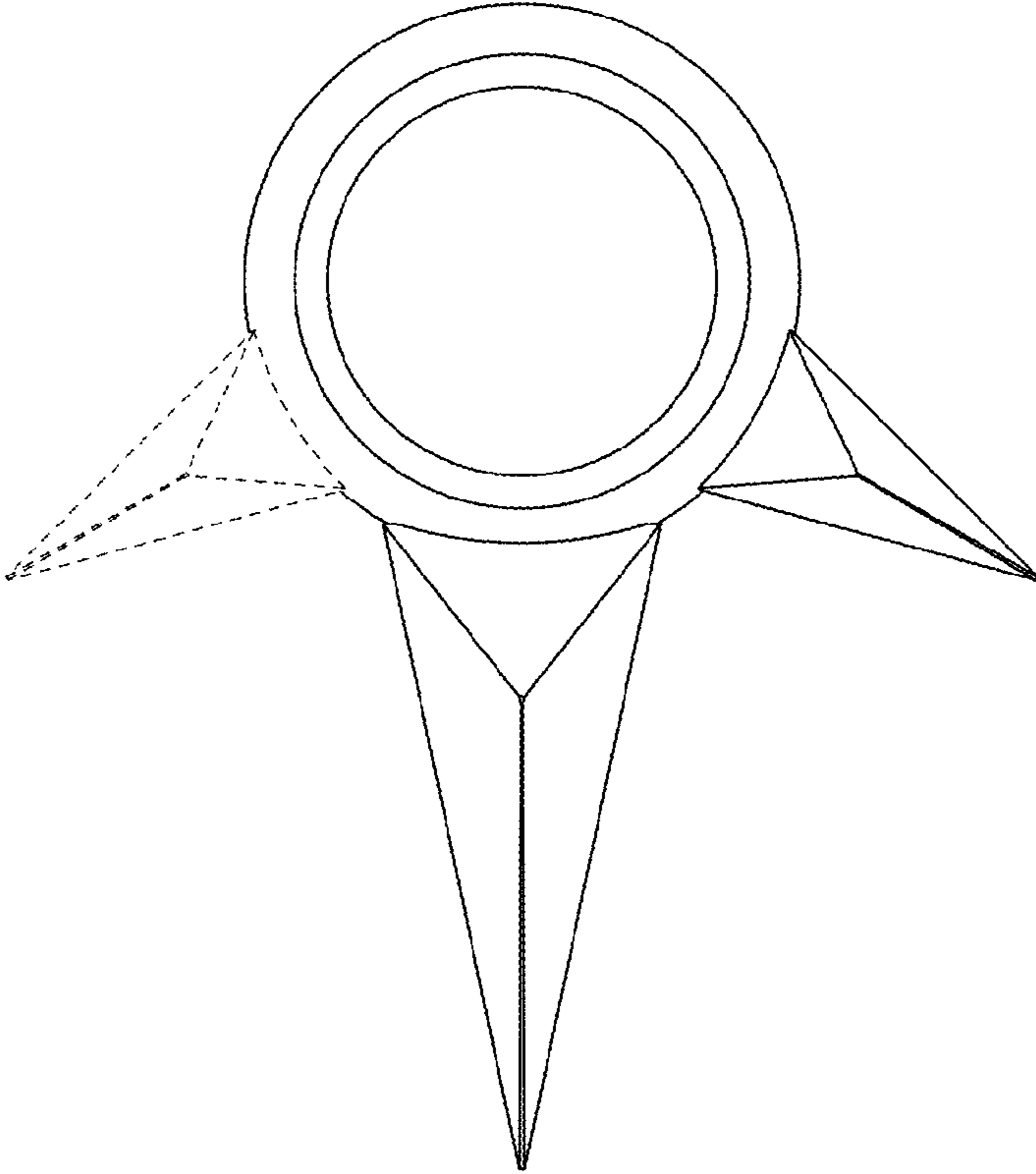


FIG. 3

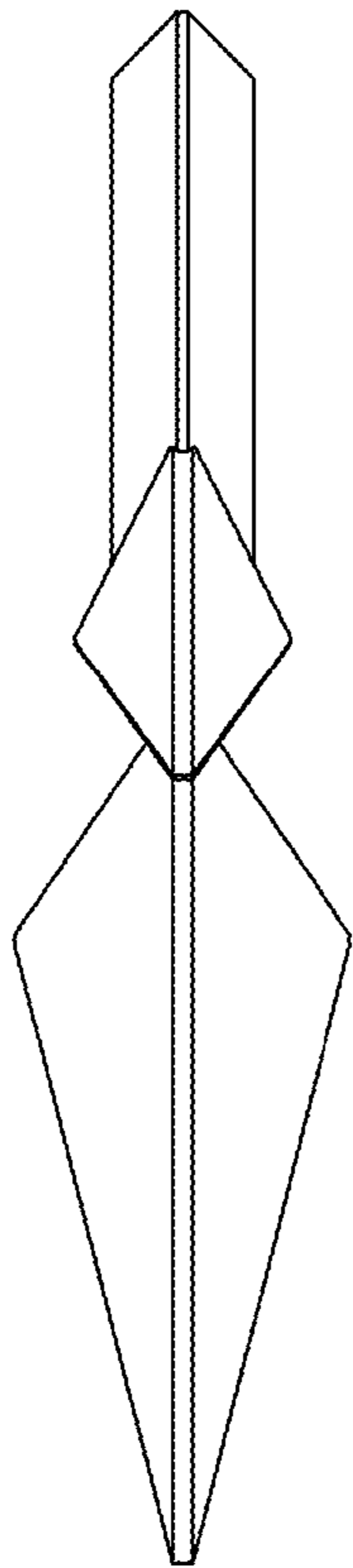


FIG. 4

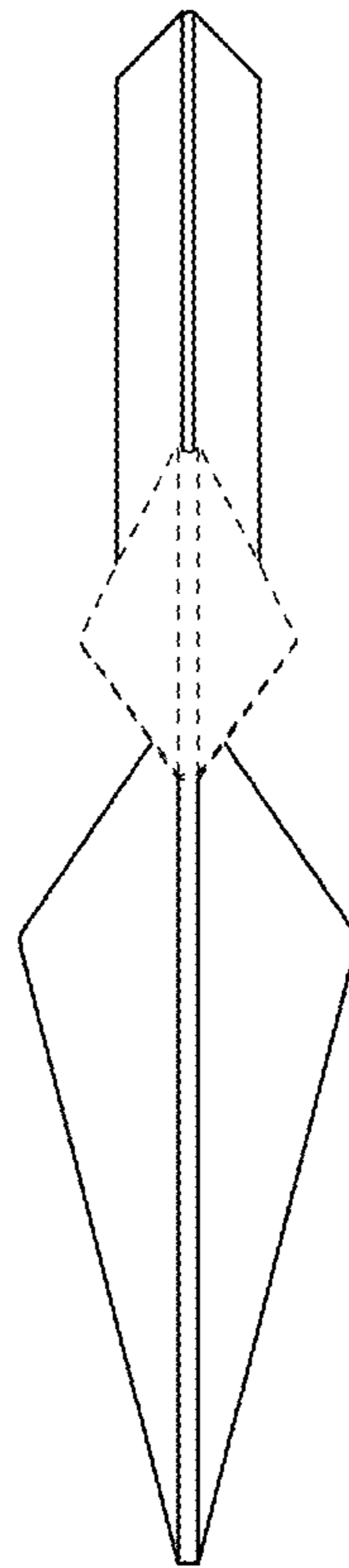


FIG. 5

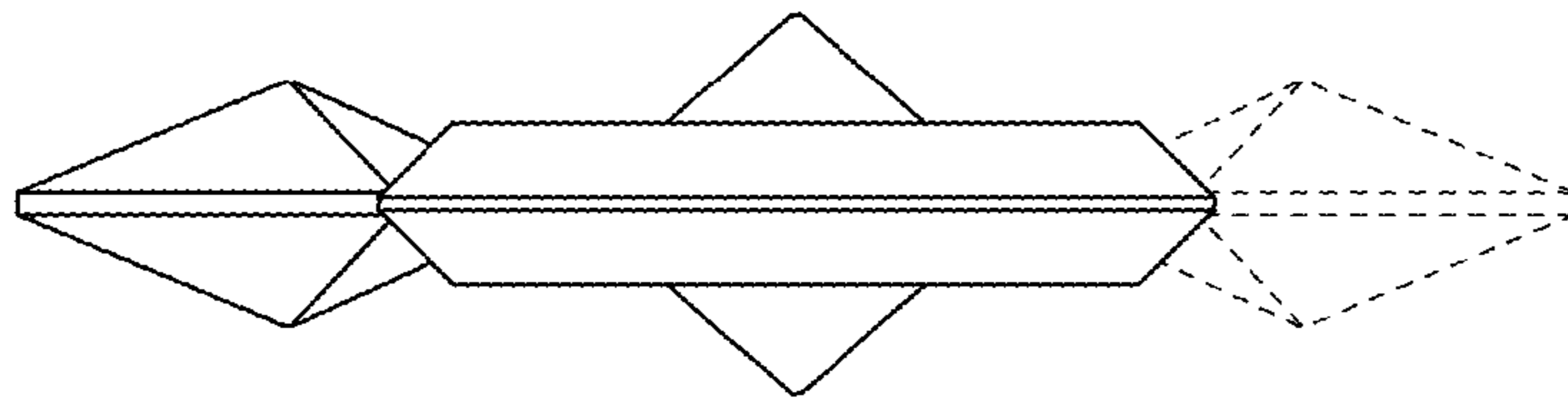


FIG. 6

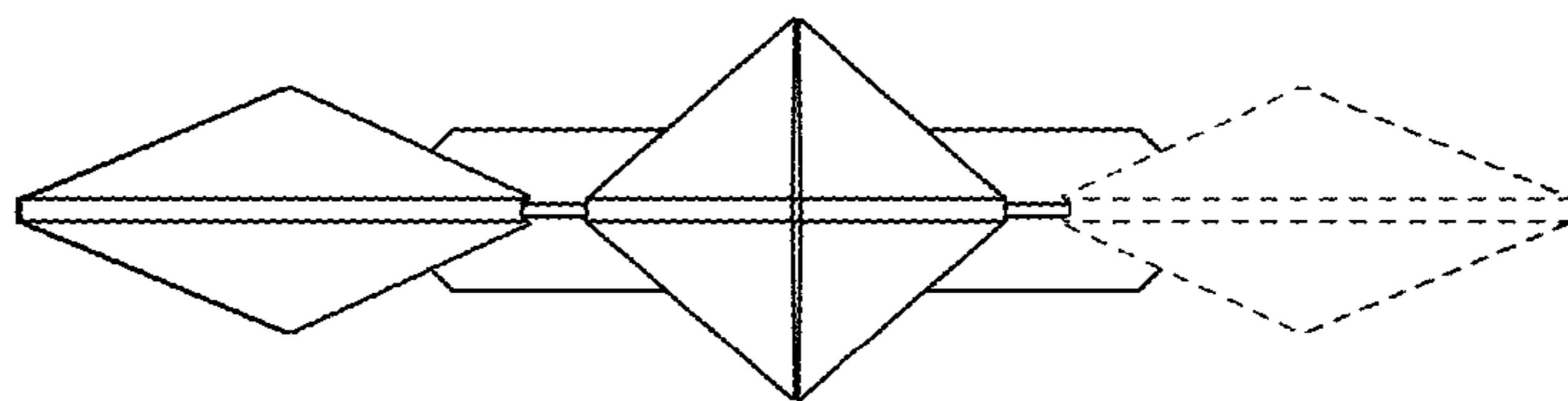


FIG. 7

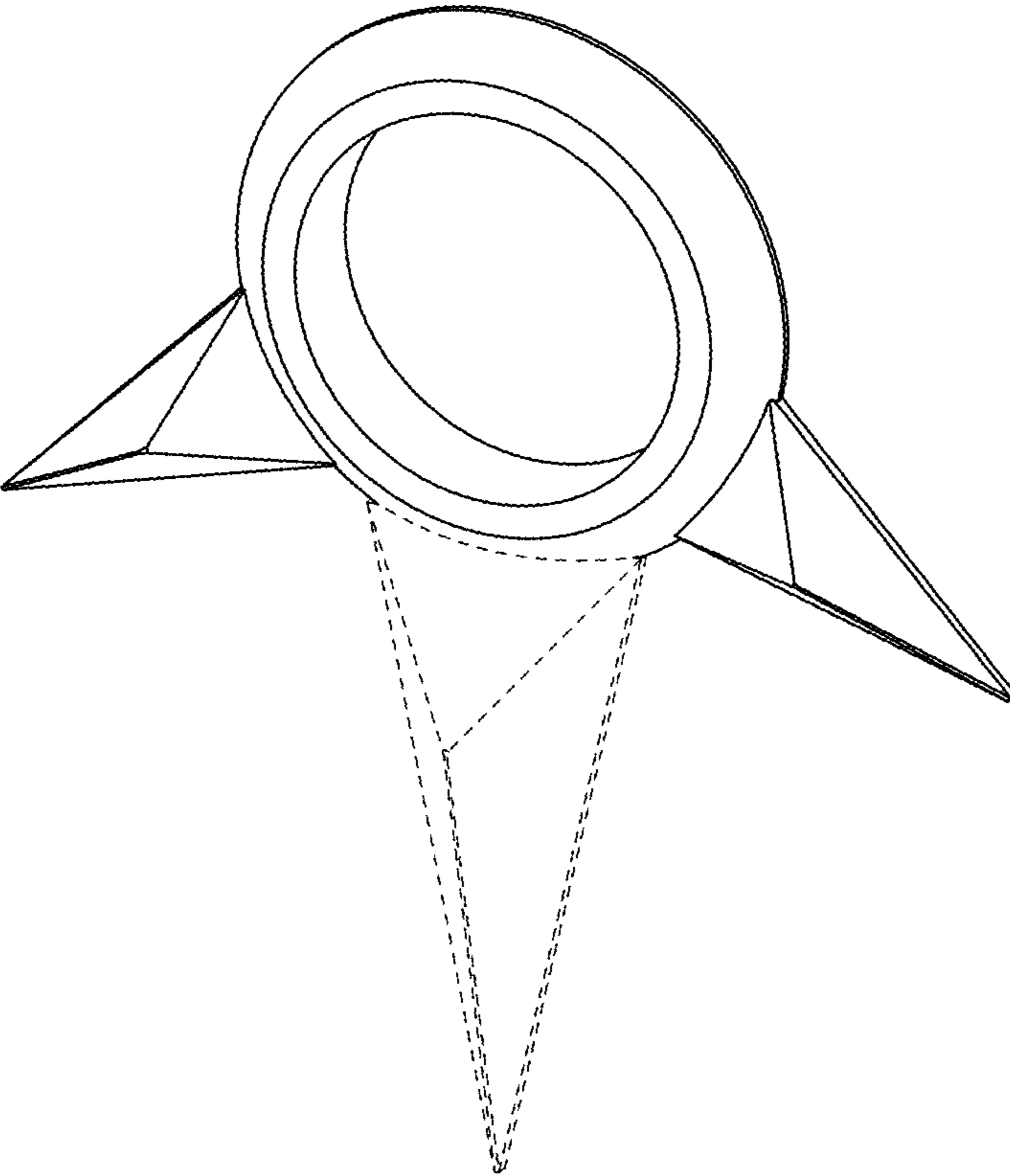


FIG. 8

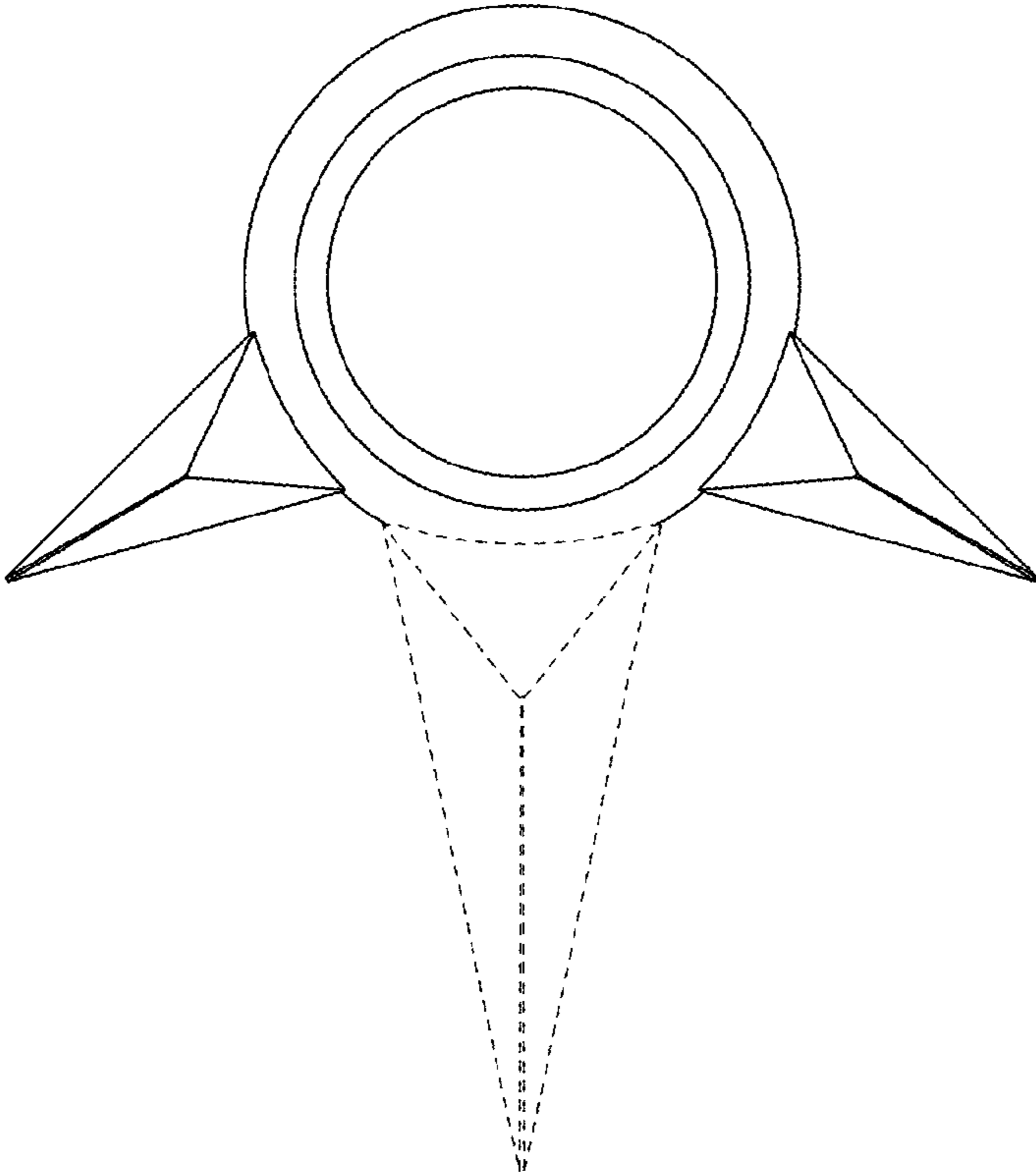


FIG. 9

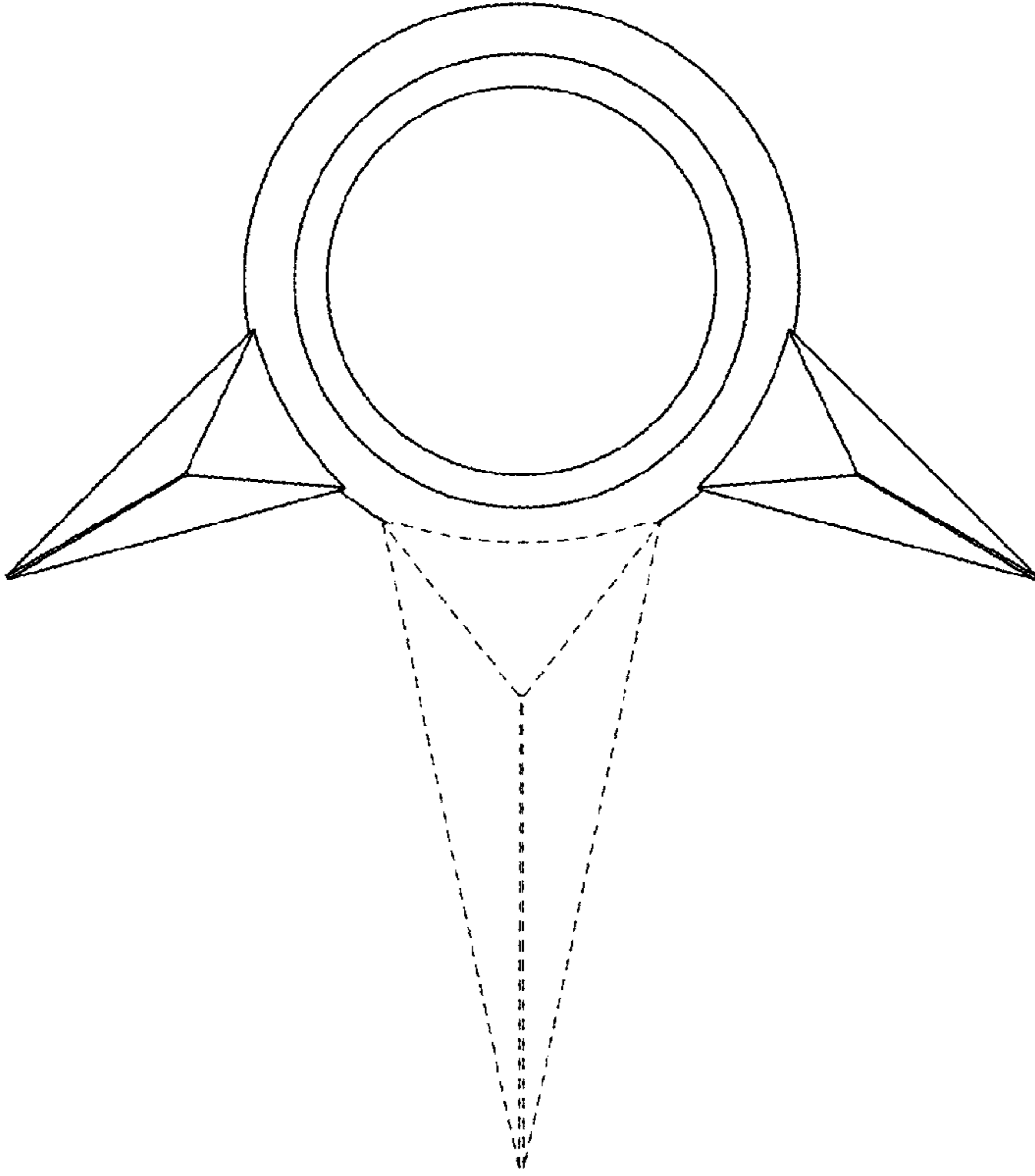


FIG. 10

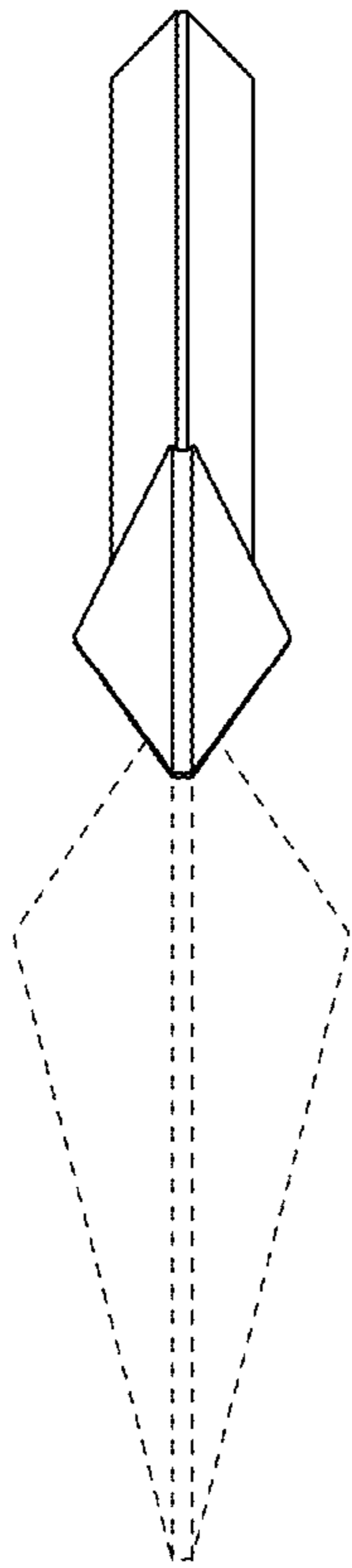


FIG. 11

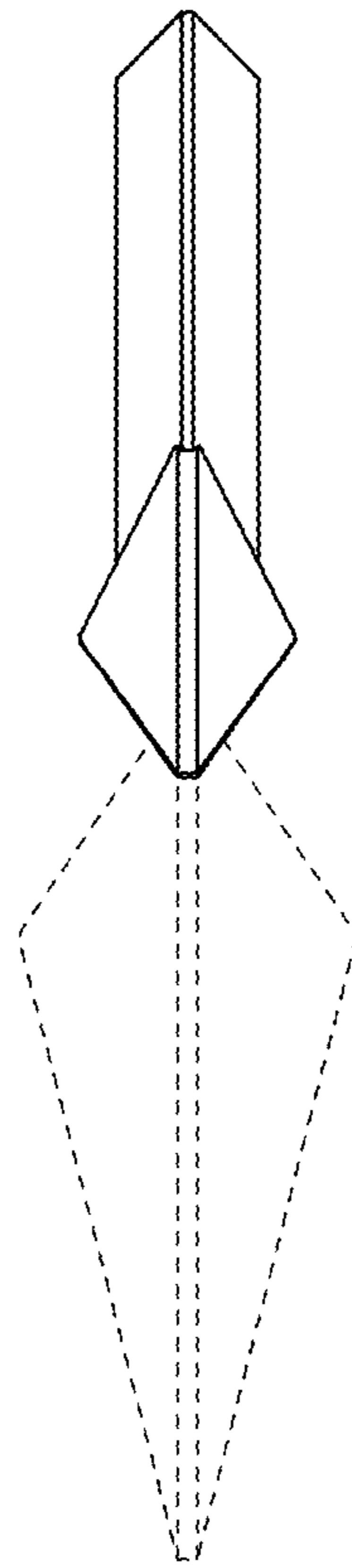


FIG. 12

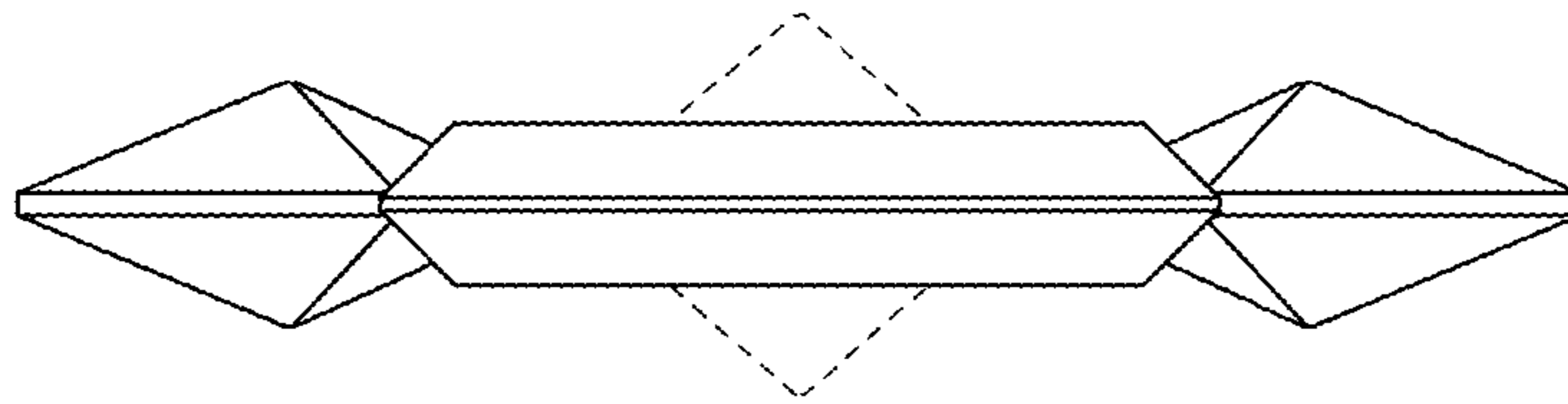


FIG. 13

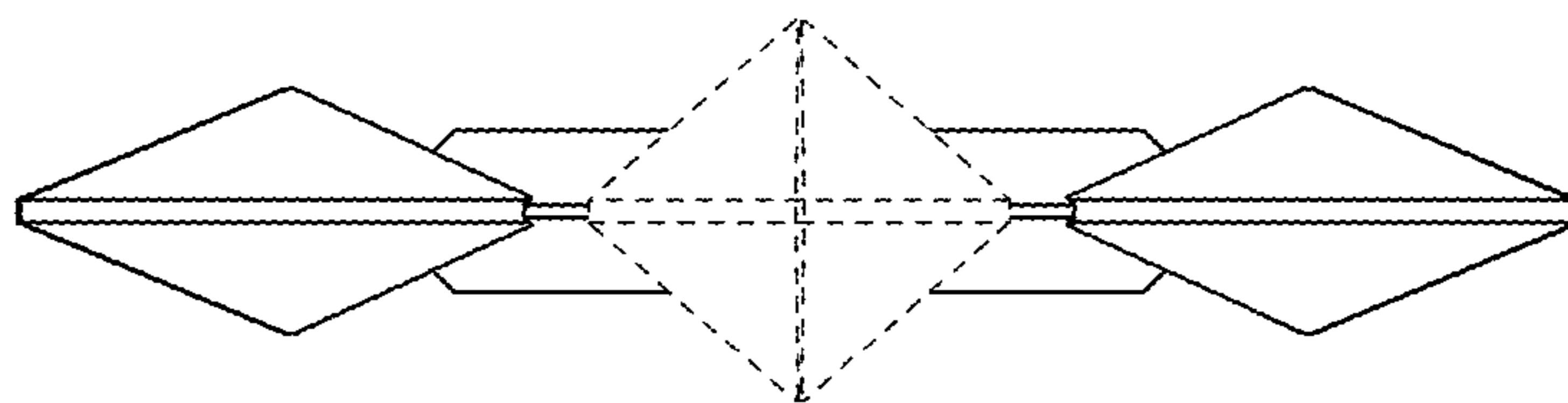


FIG. 14

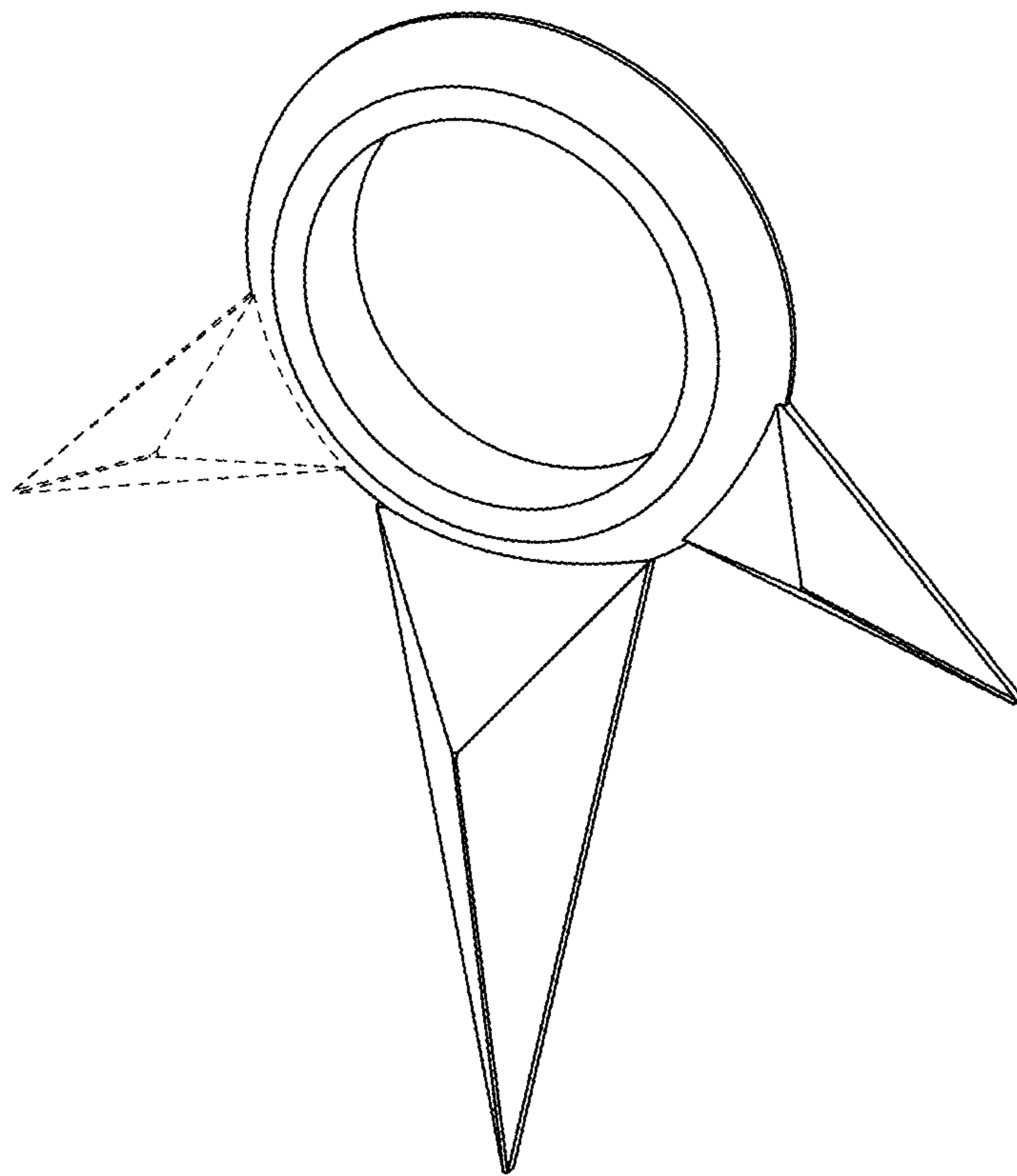


FIG. 15

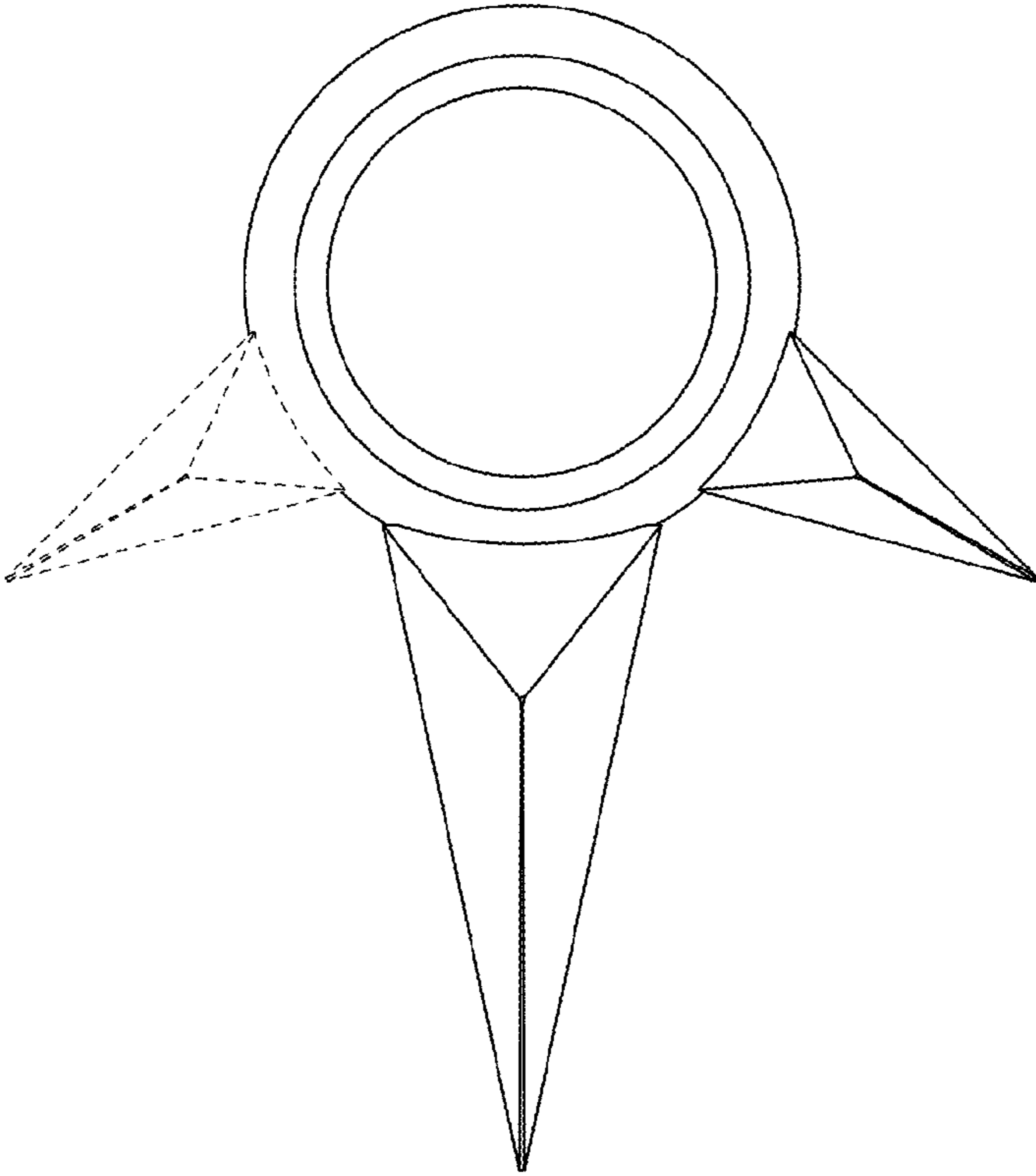


FIG. 16

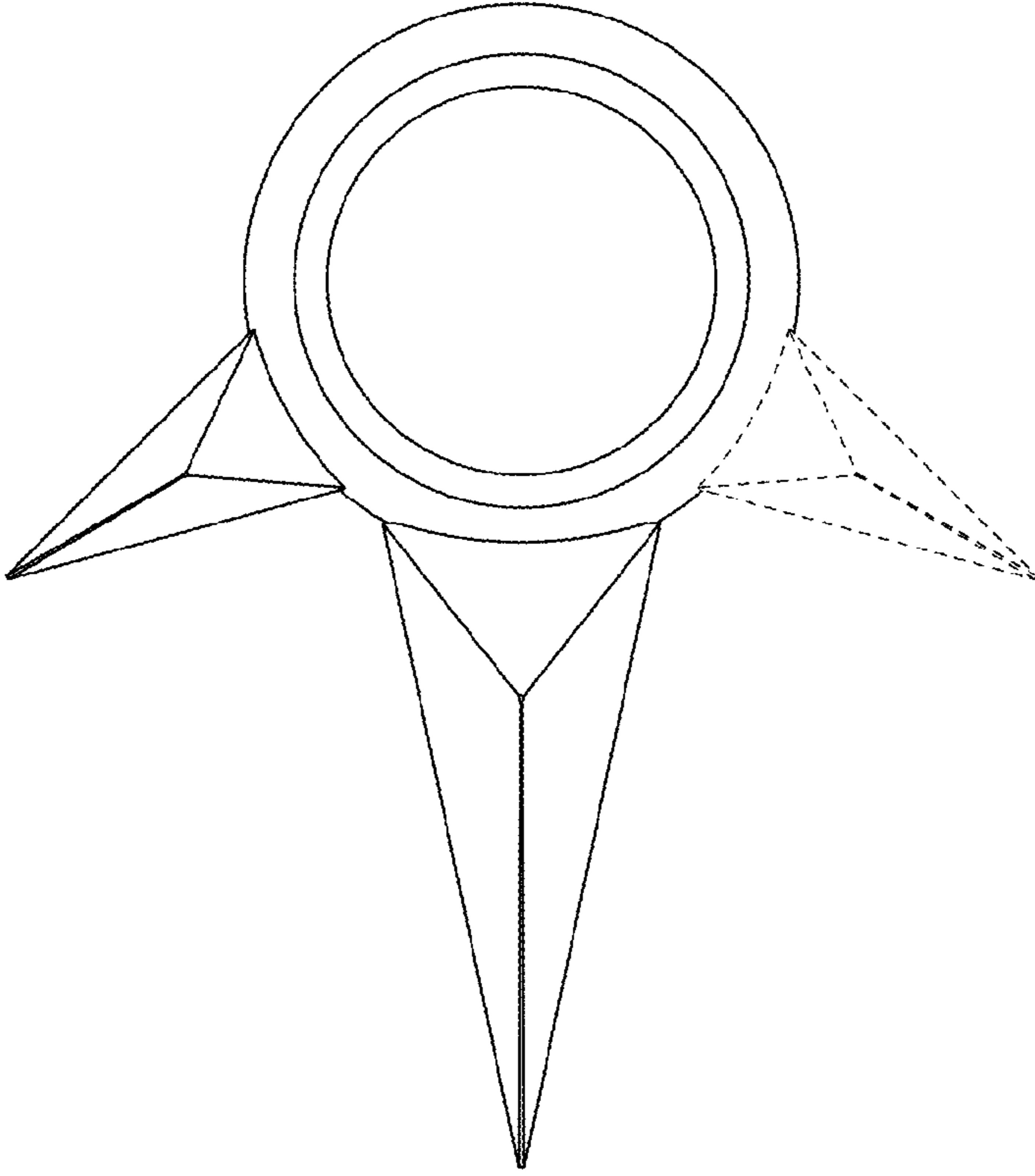


FIG. 17

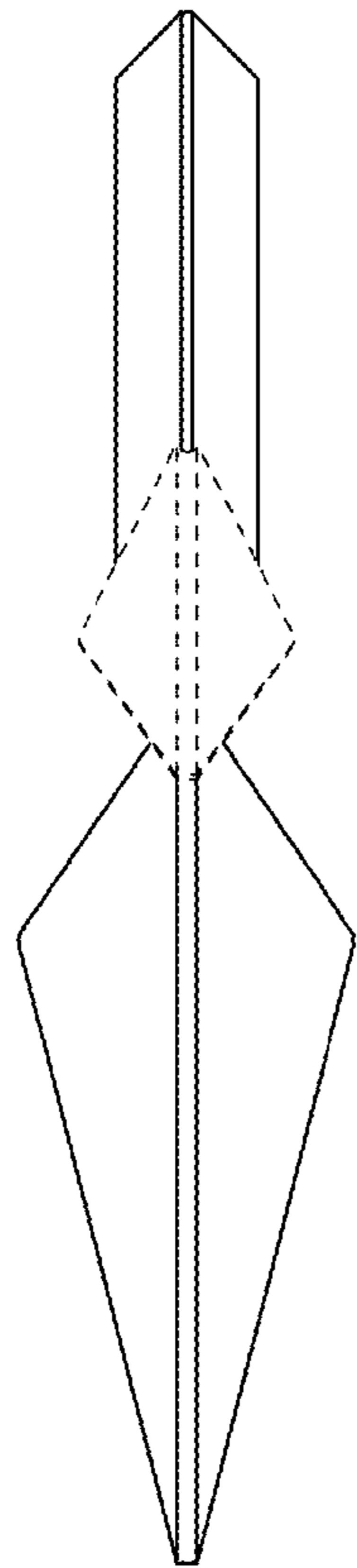


FIG. 18

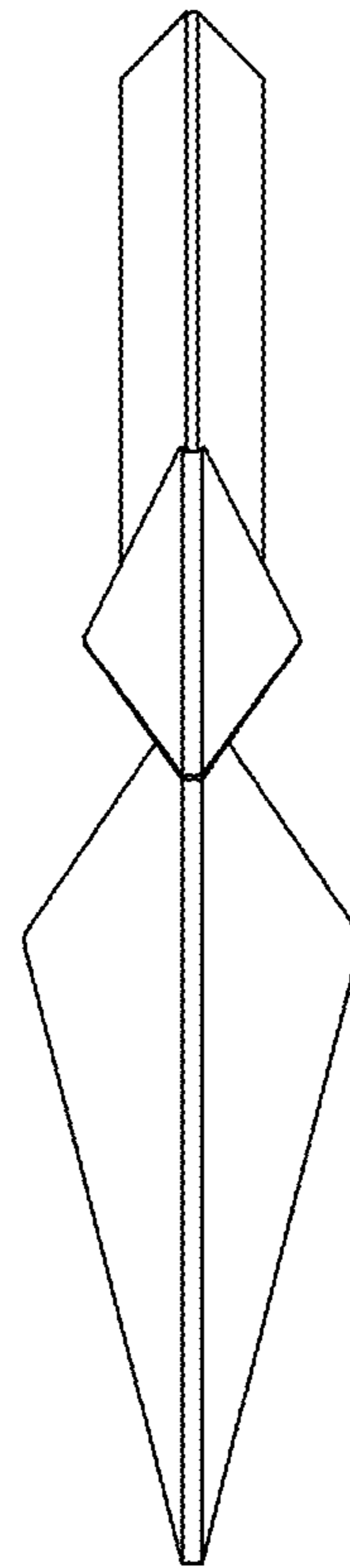


FIG. 19

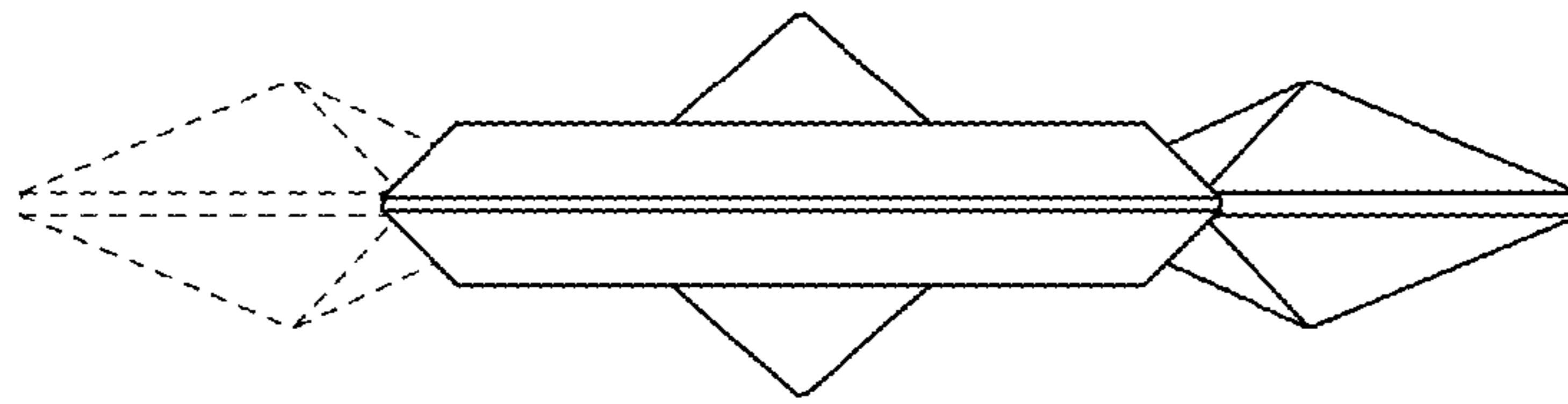


FIG. 20

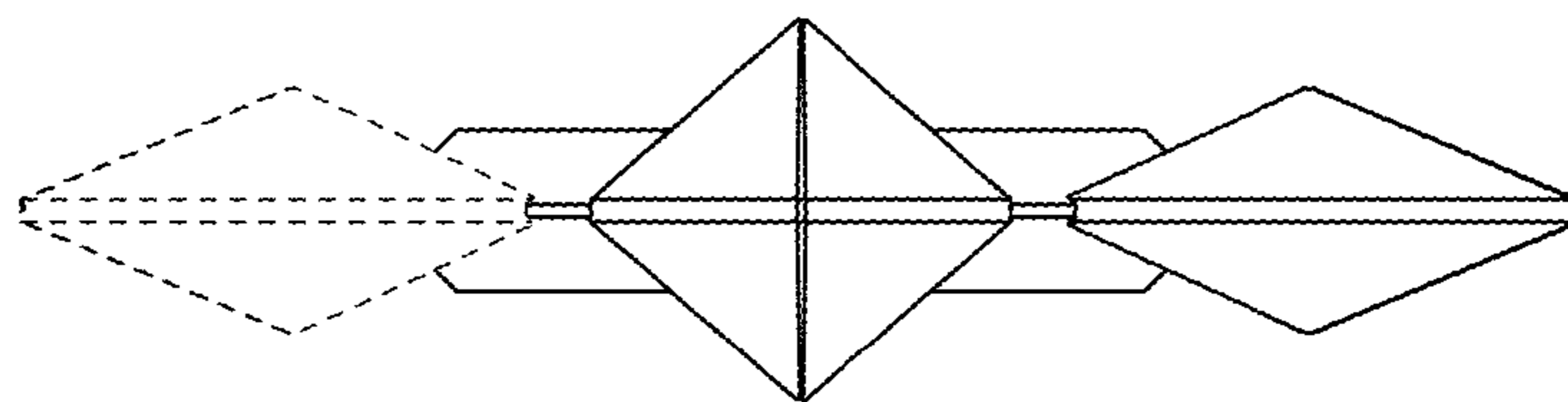


FIG. 21

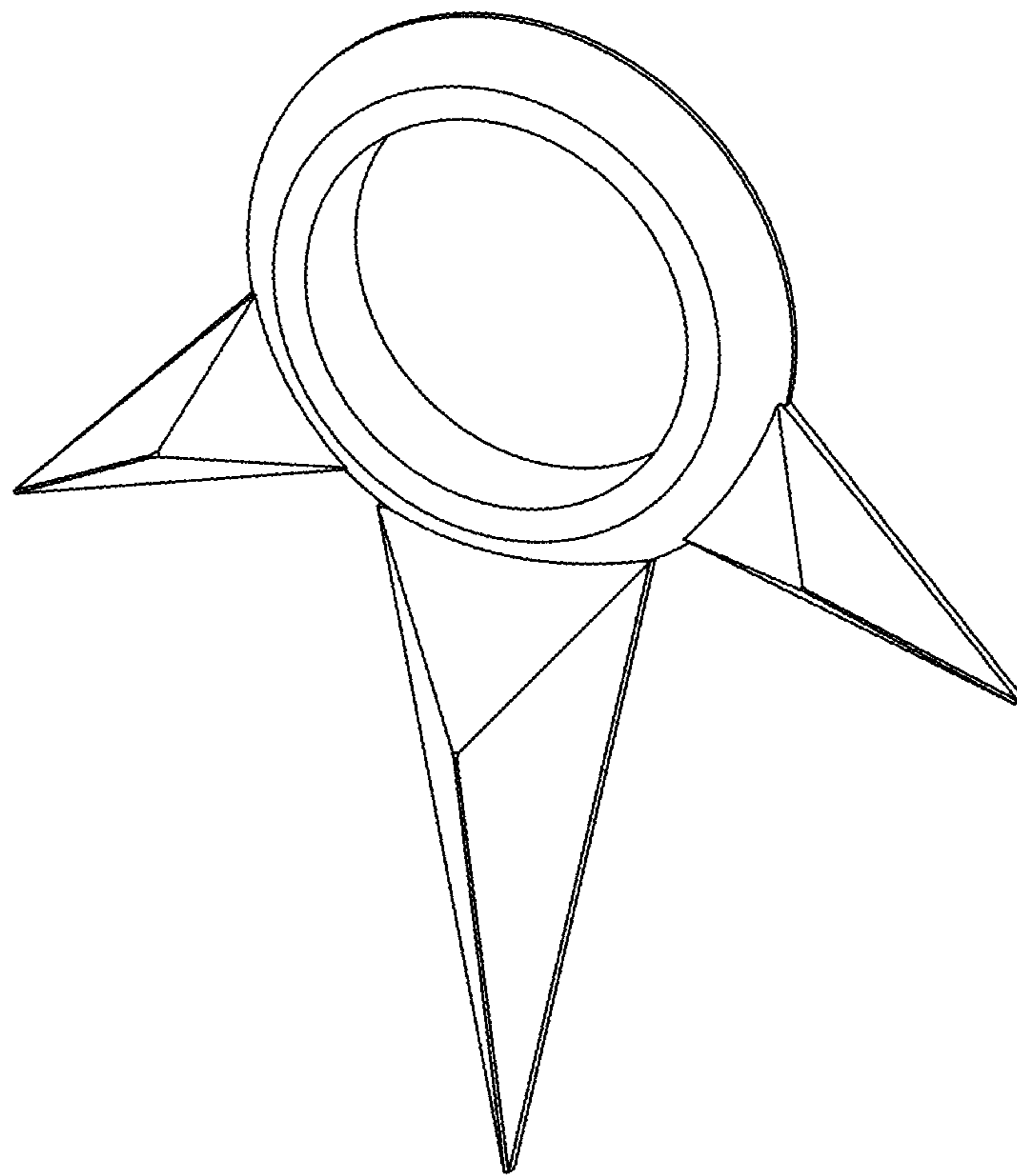


FIG. 22

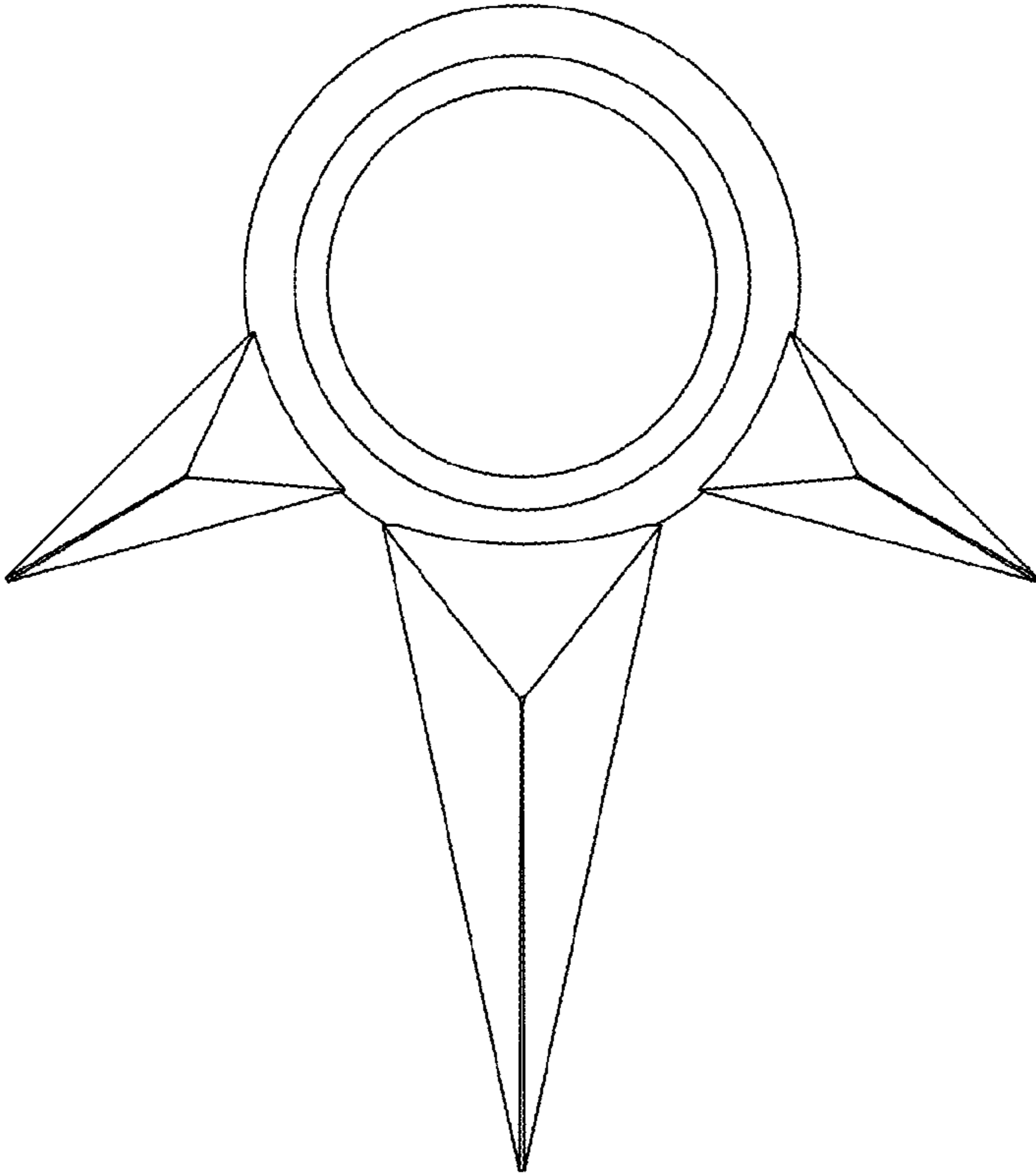


FIG. 23

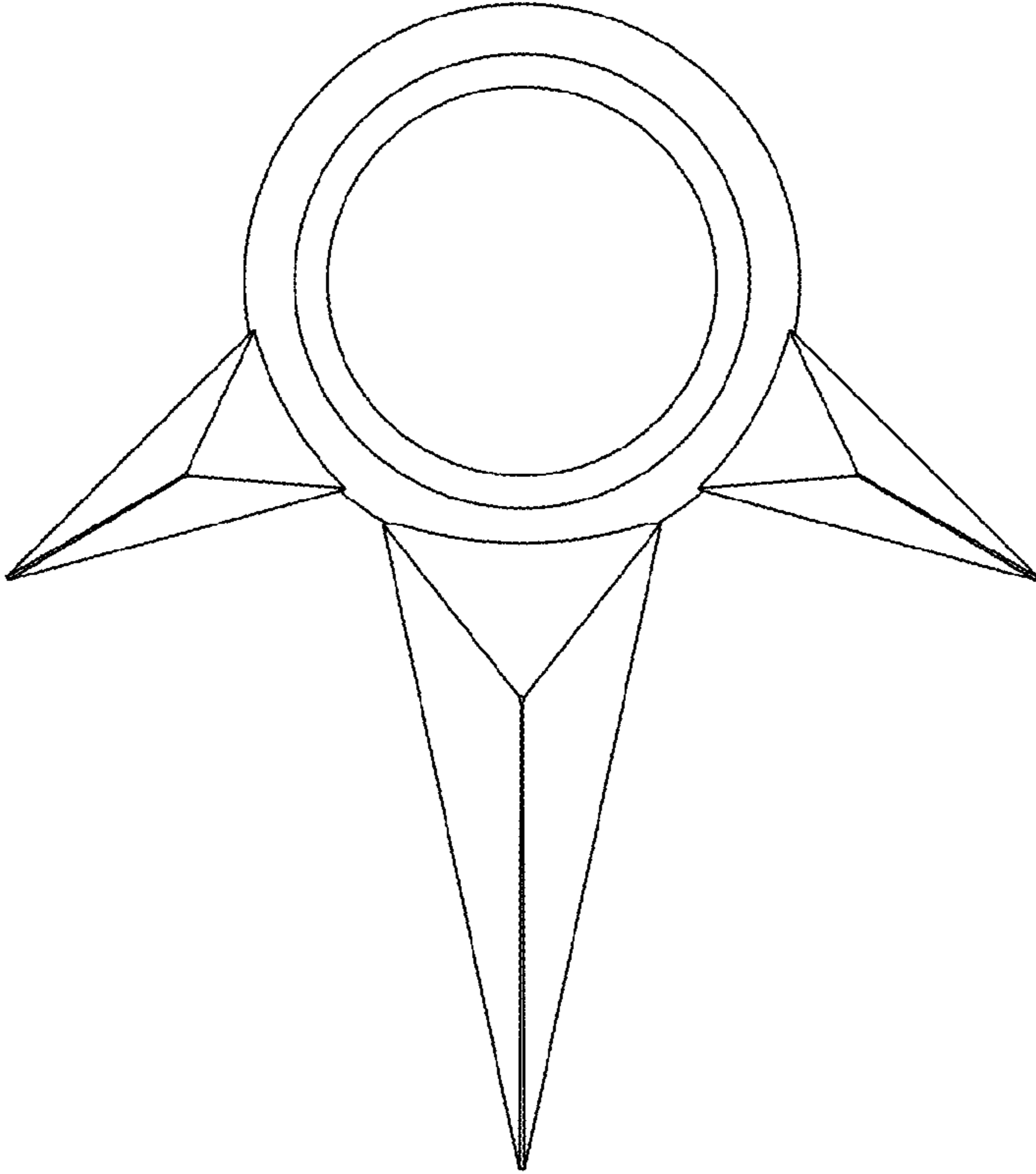


FIG. 24

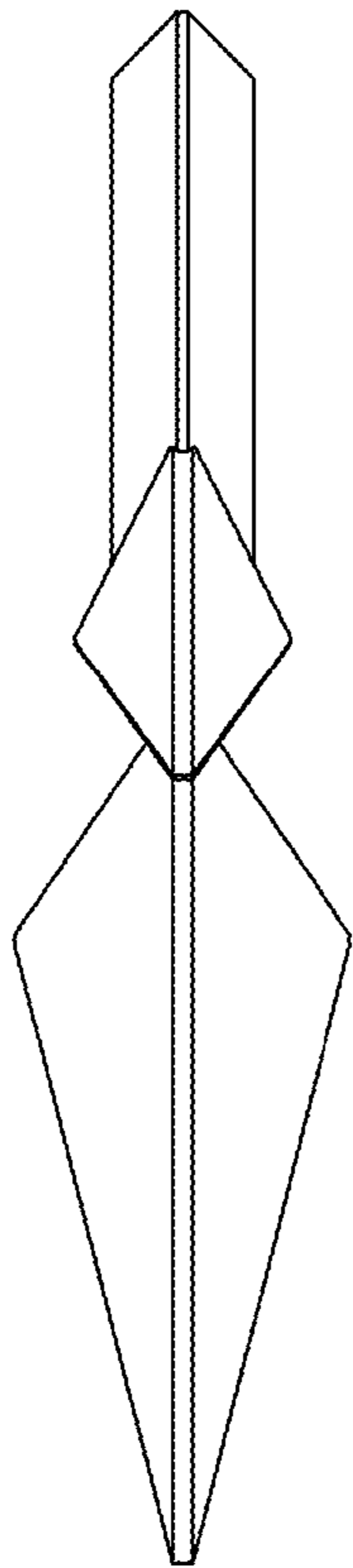


FIG. 25

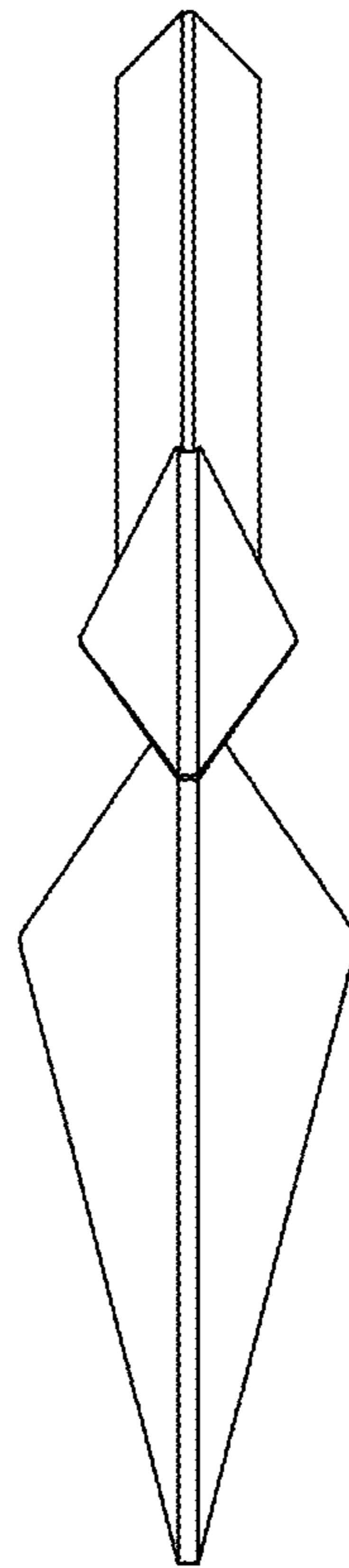


FIG. 26

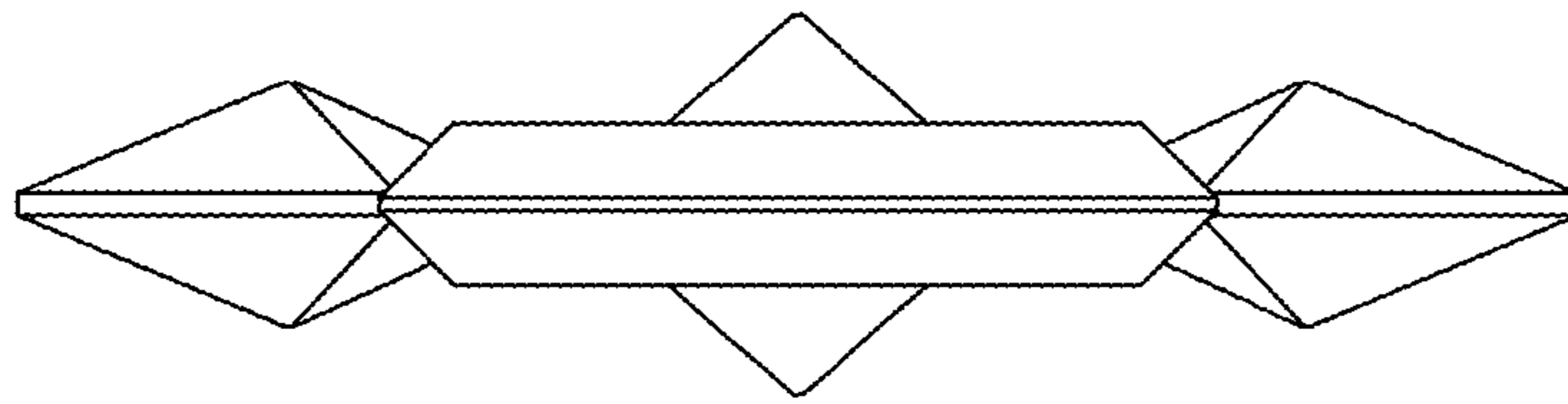


FIG. 27

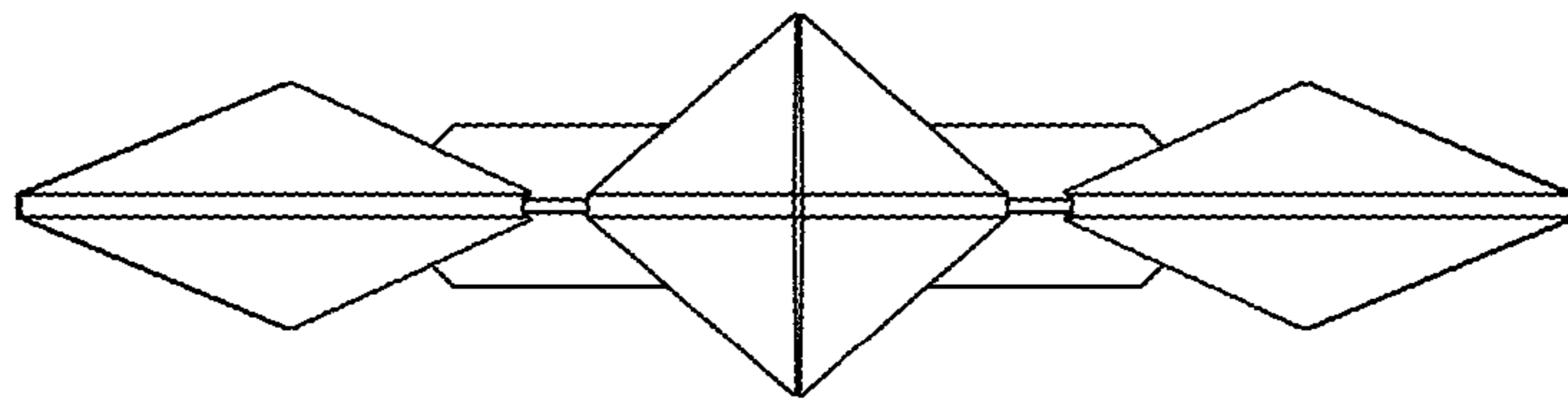


FIG. 28

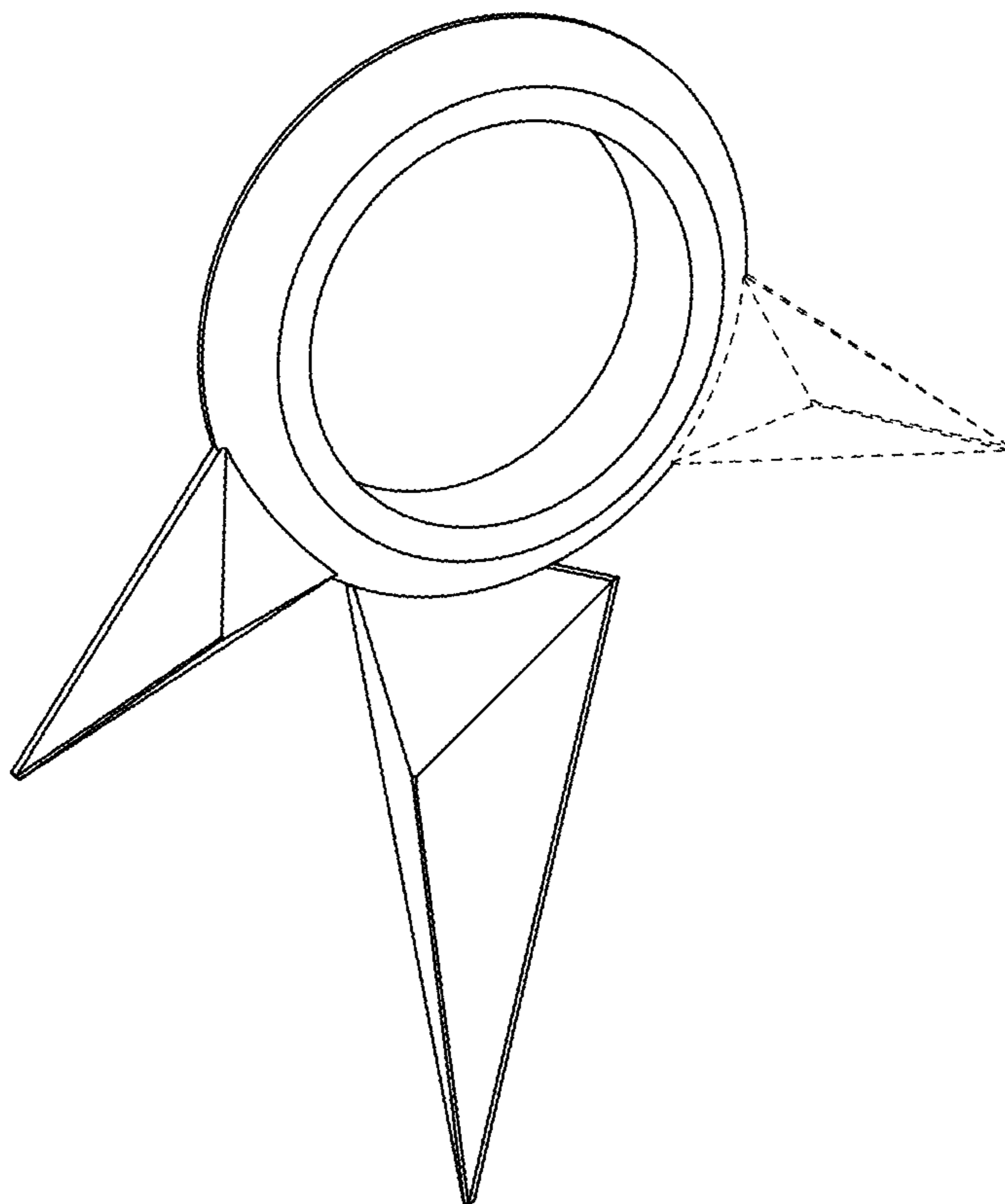


FIG. 29

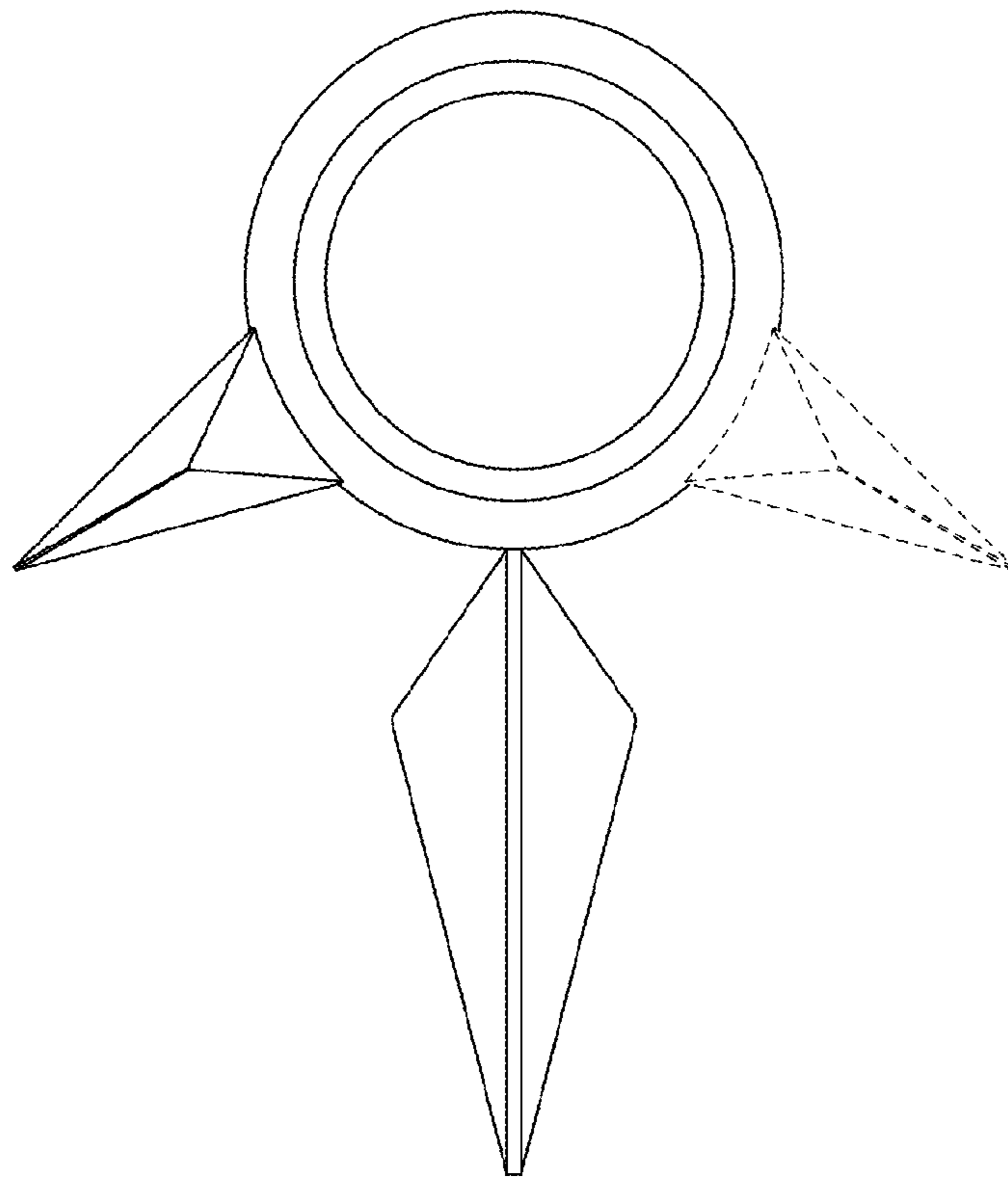


FIG. 30

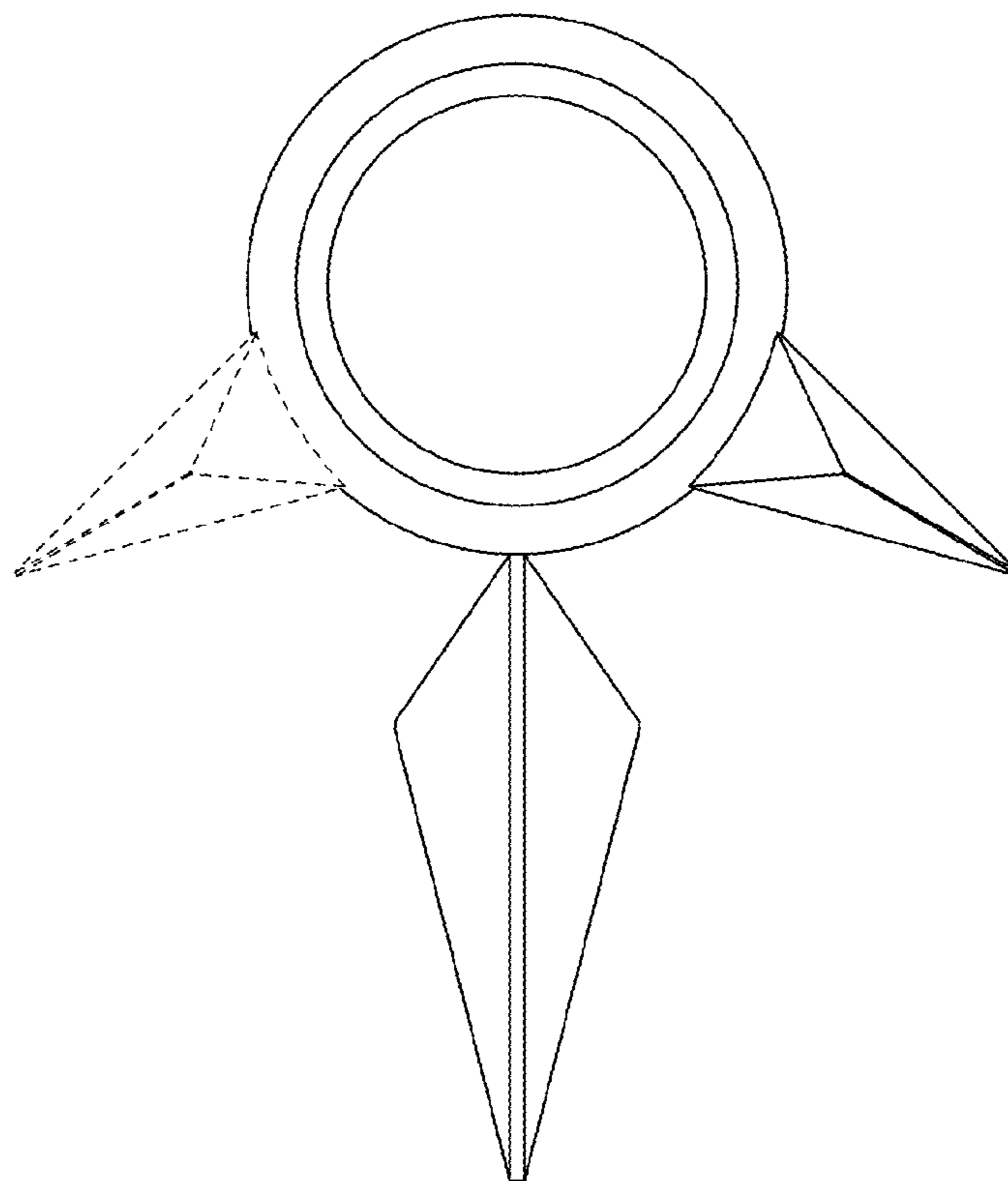


FIG. 31

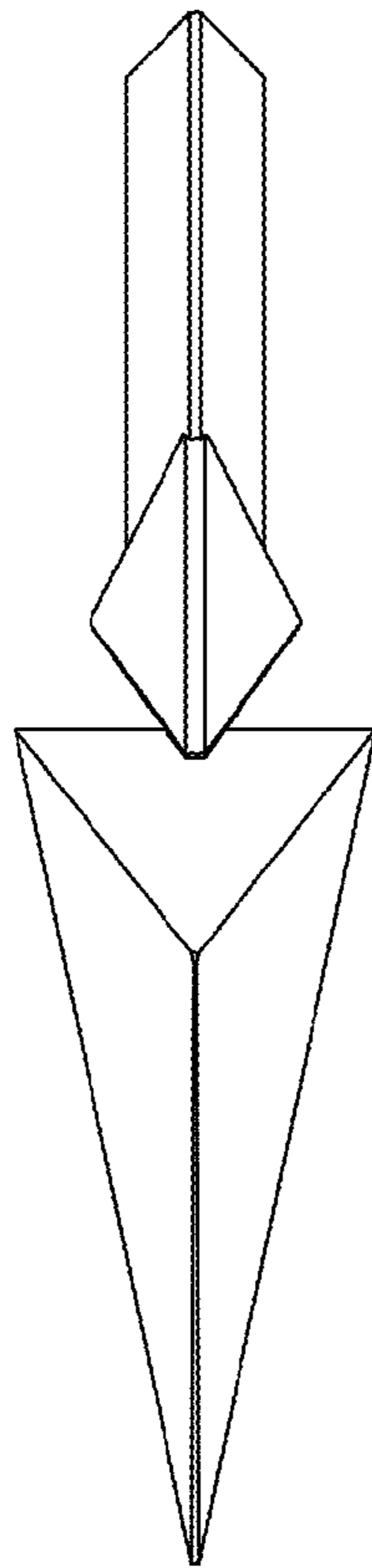


FIG. 32

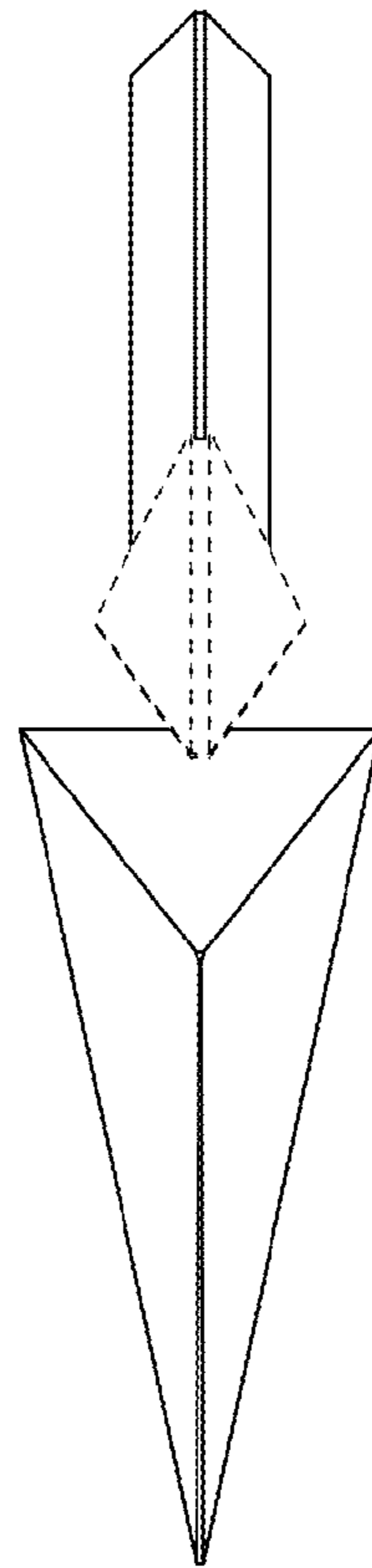


FIG. 33

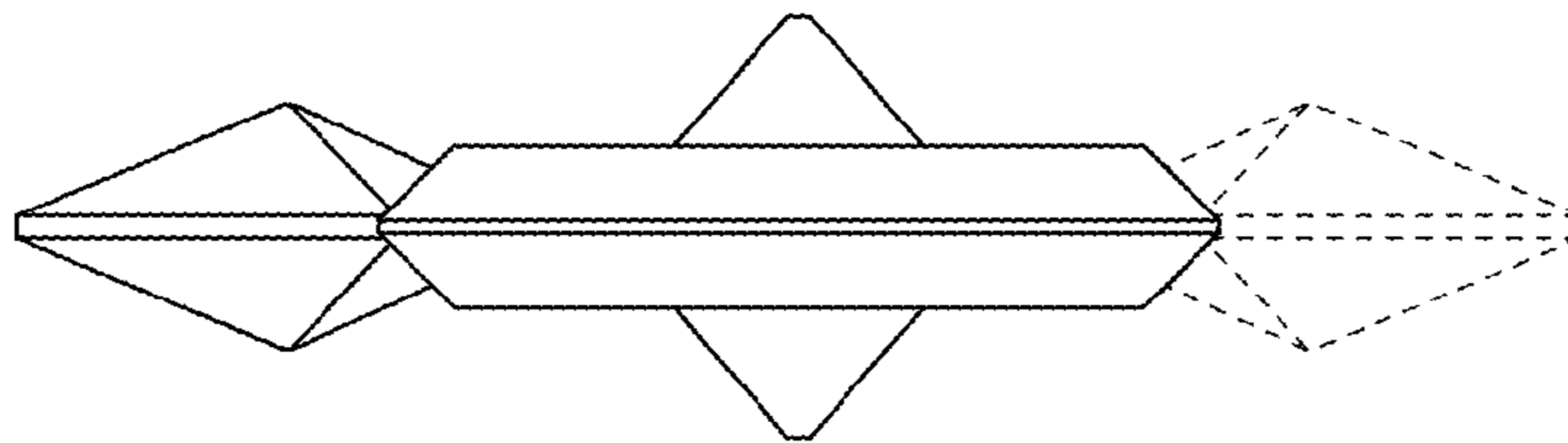


FIG. 34

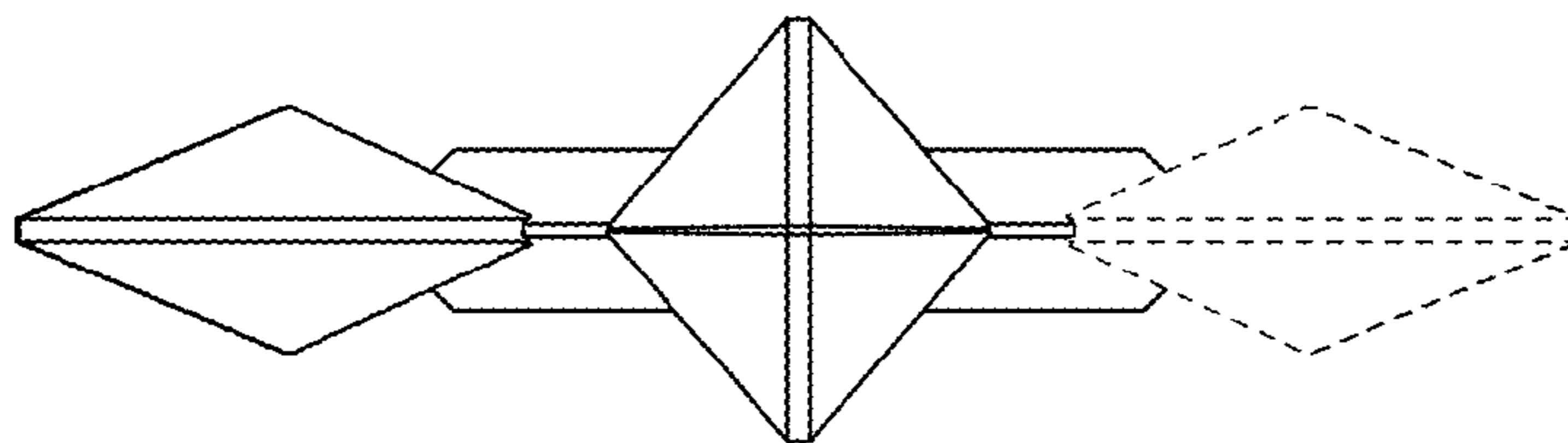


FIG. 35

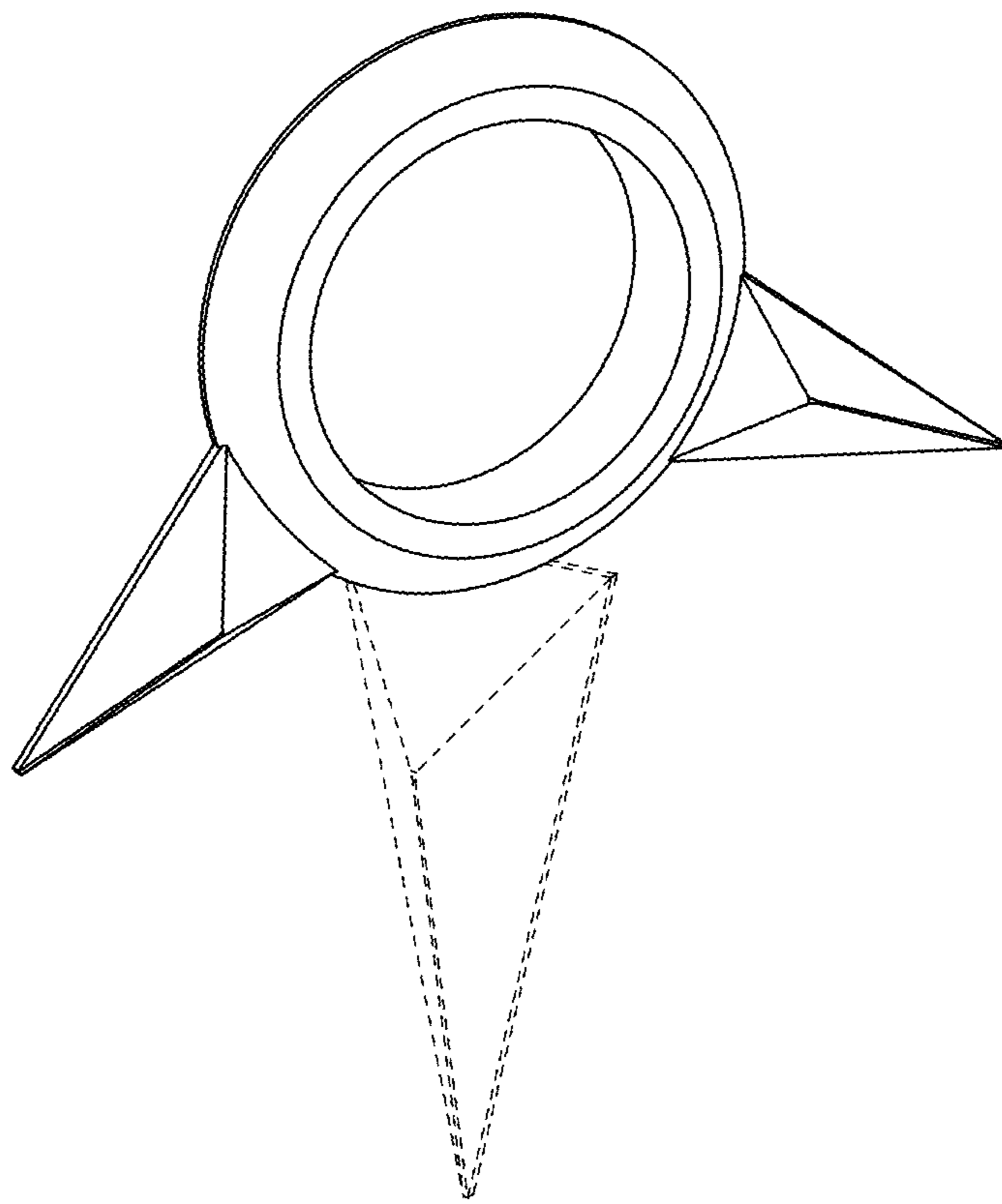


FIG. 36

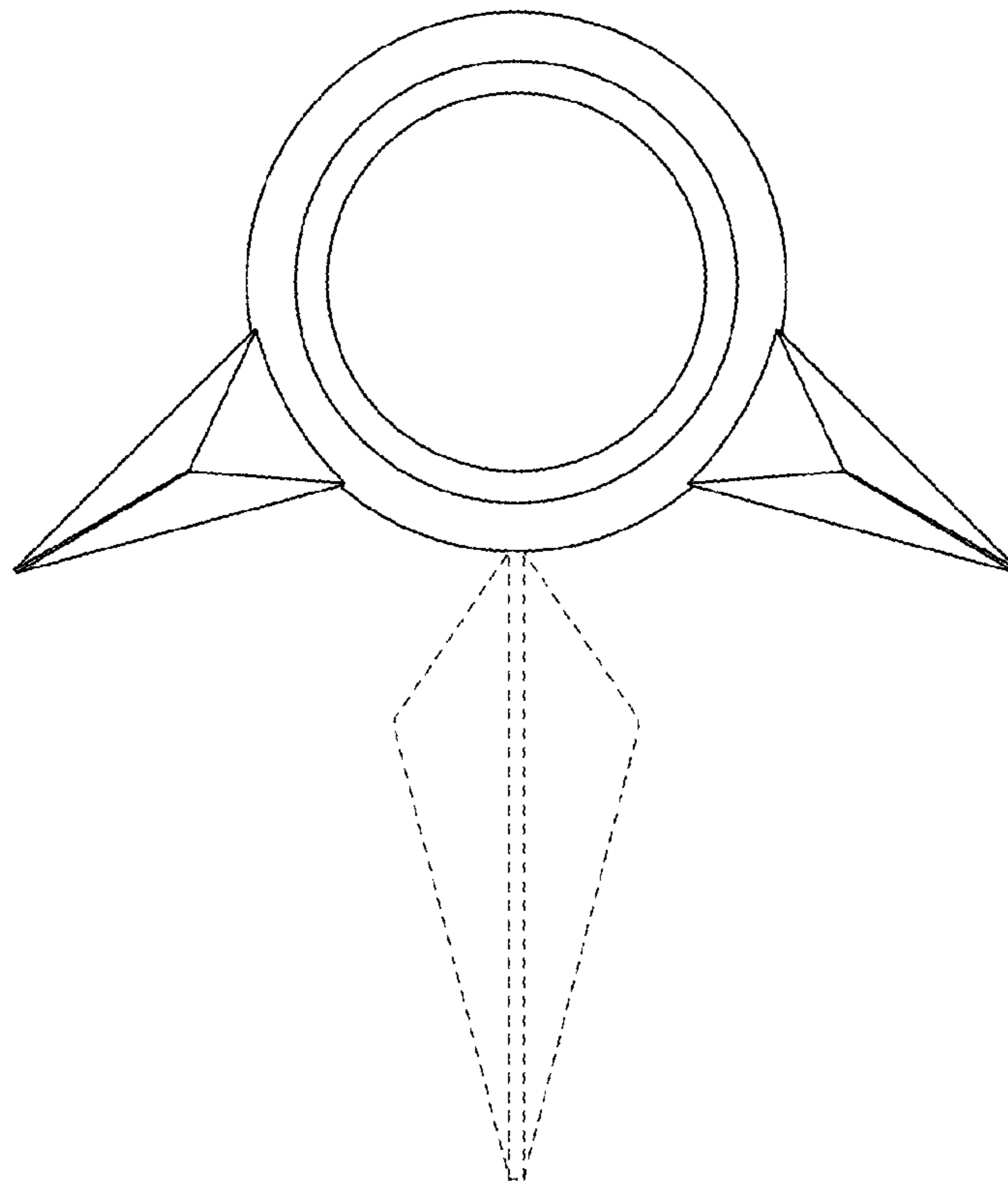


FIG. 37

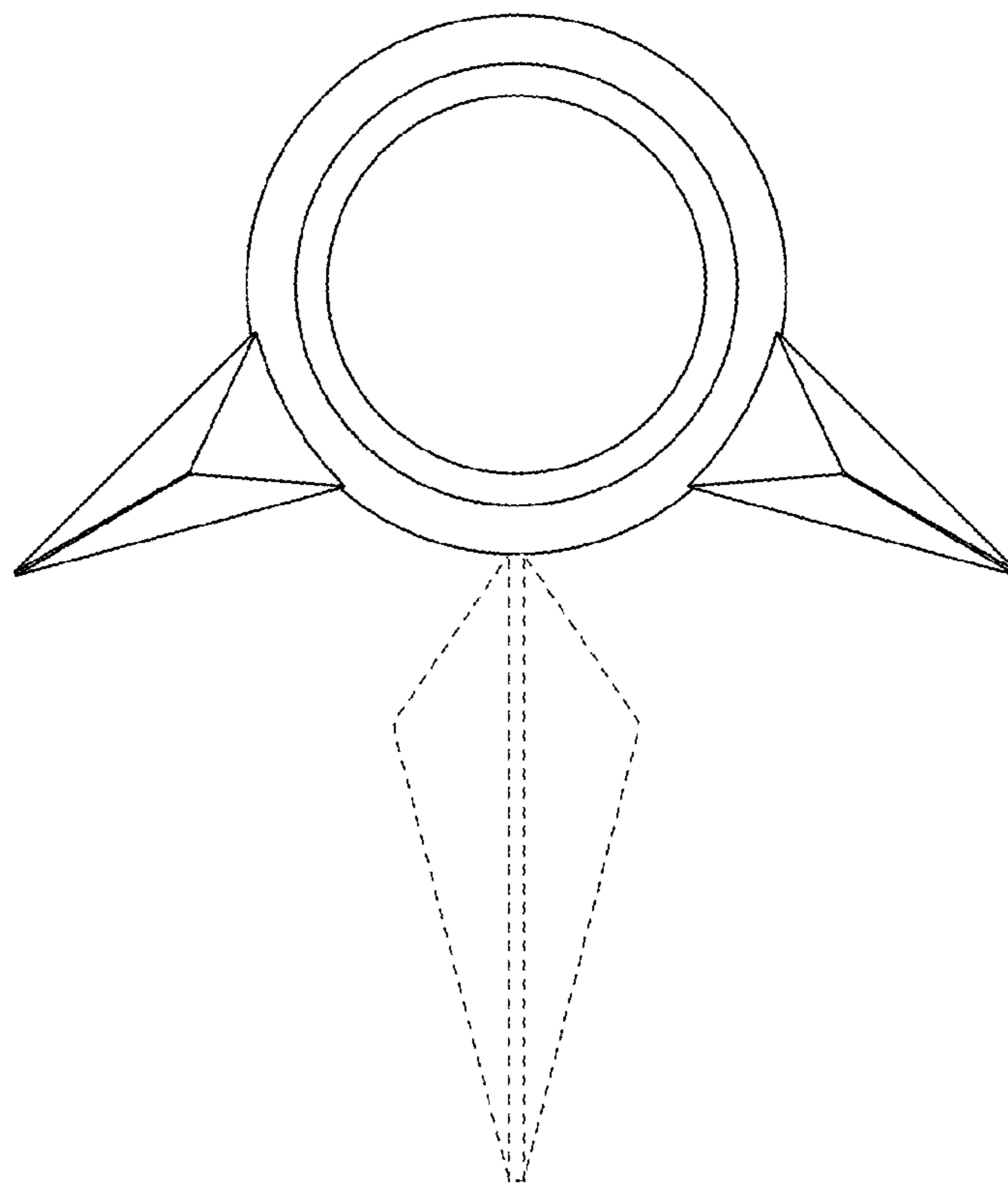


FIG. 38

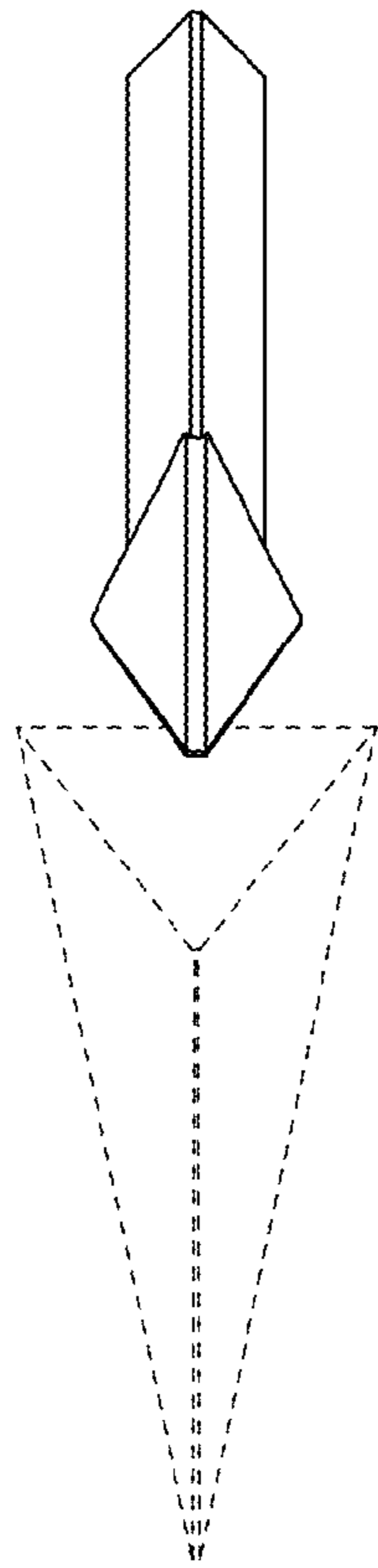


FIG. 39

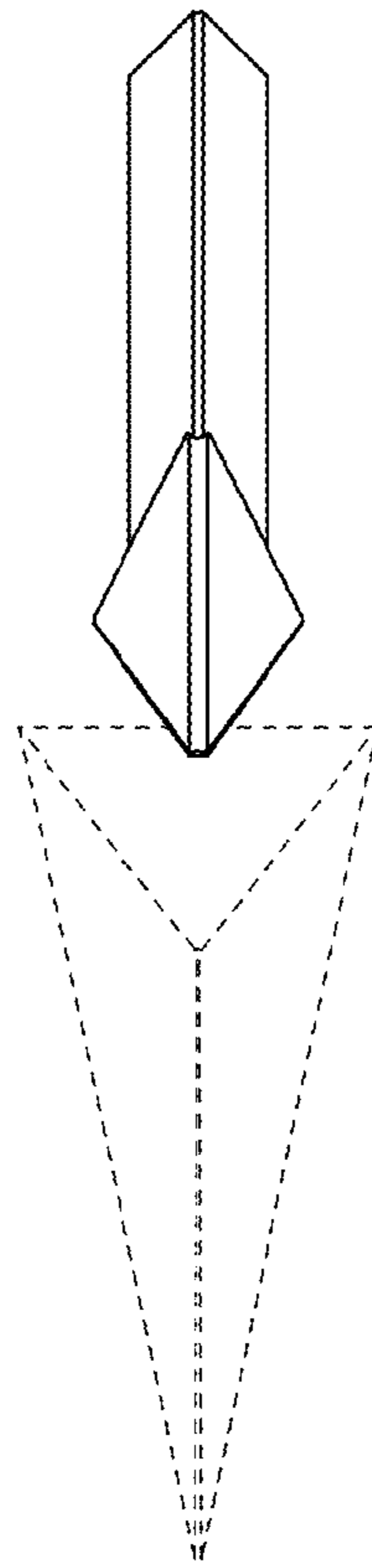


FIG. 40

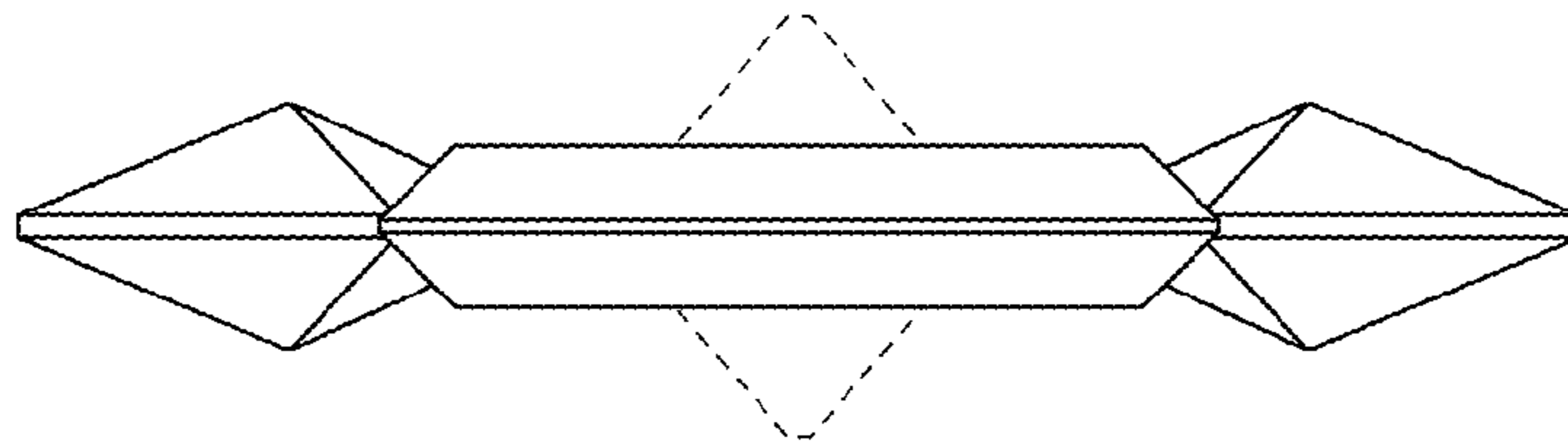


FIG. 41

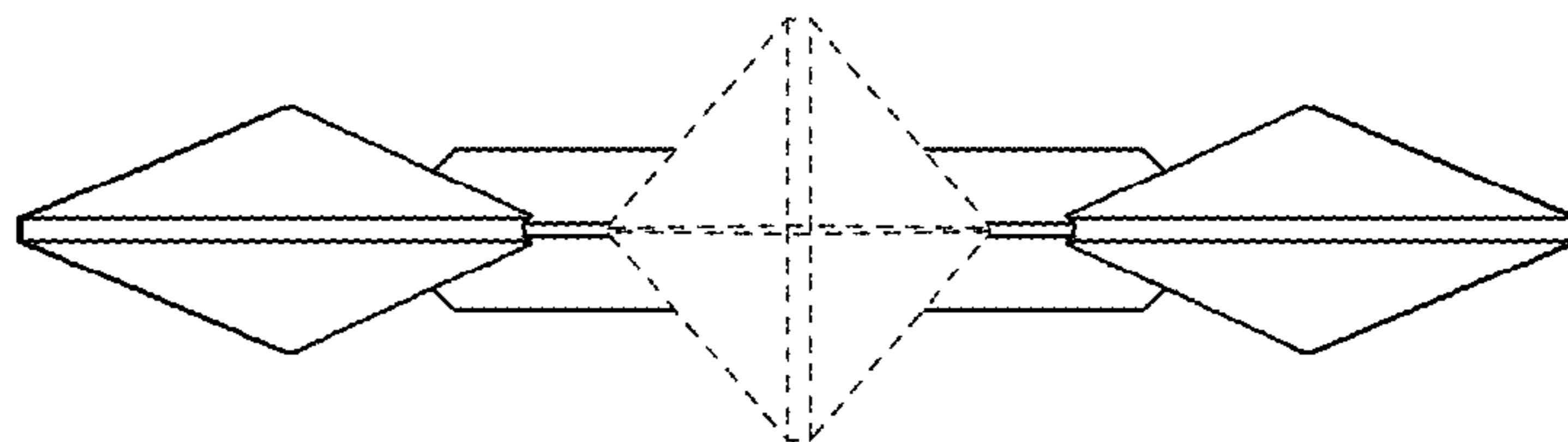


FIG. 42

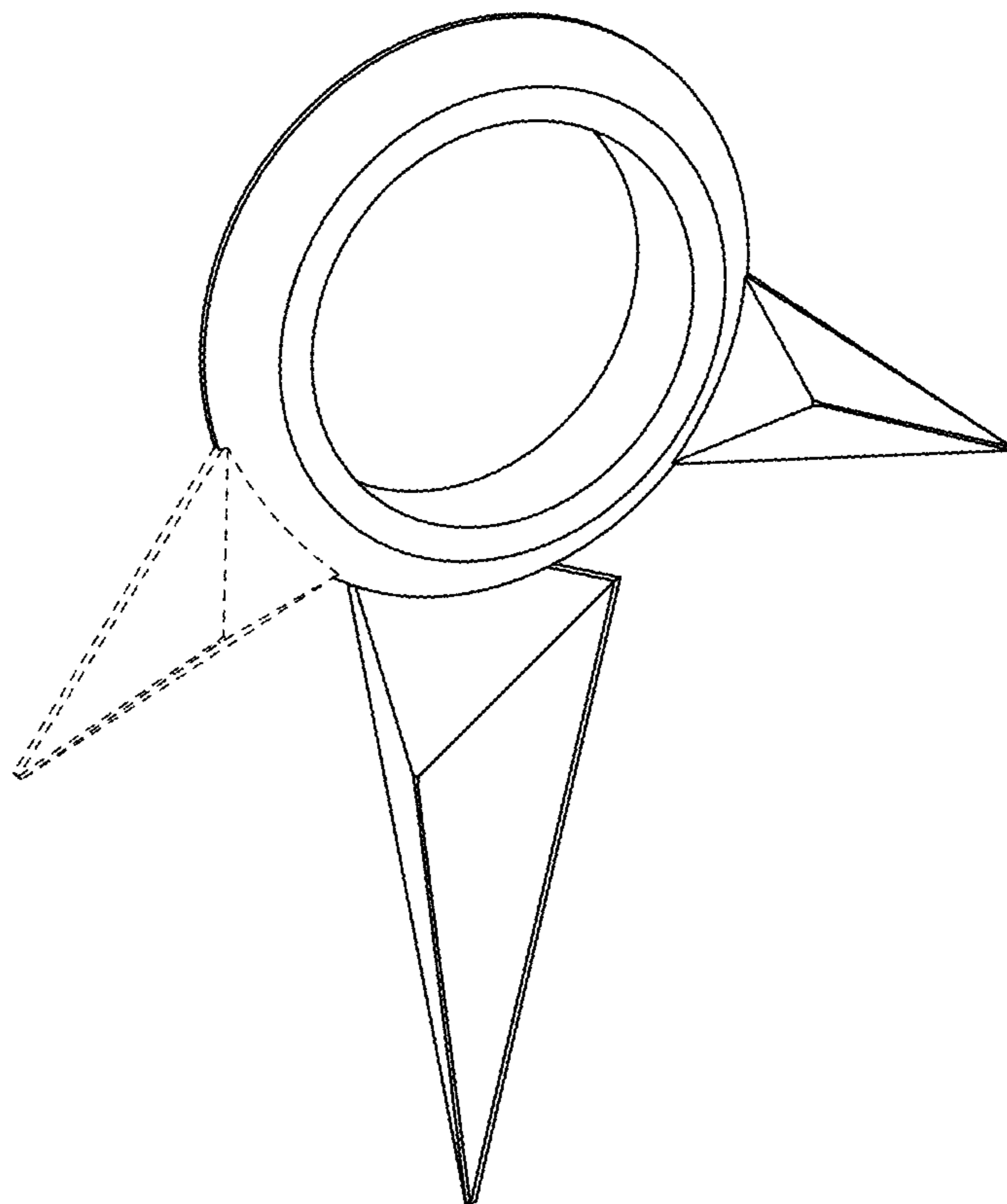


FIG. 43

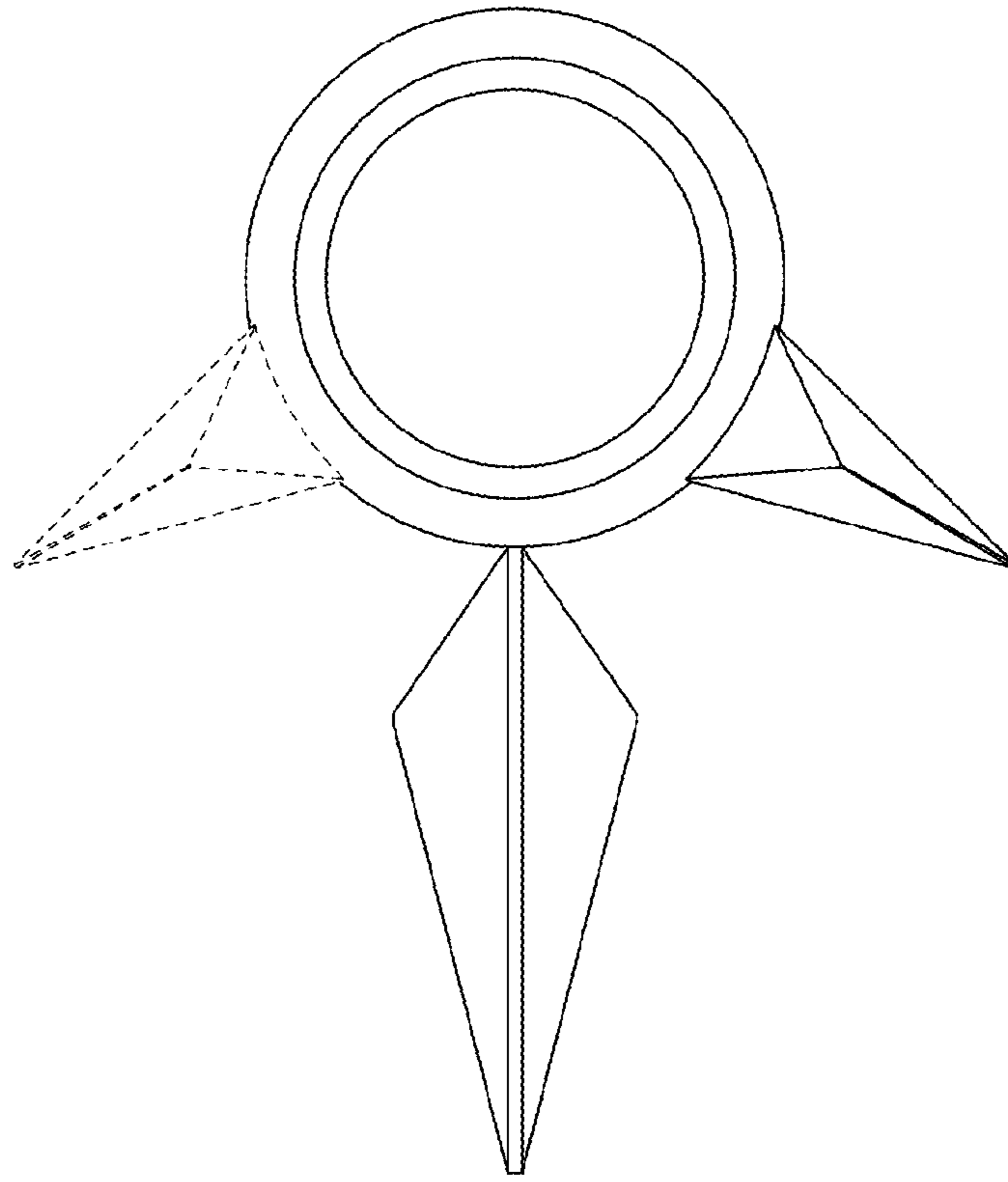


FIG. 44

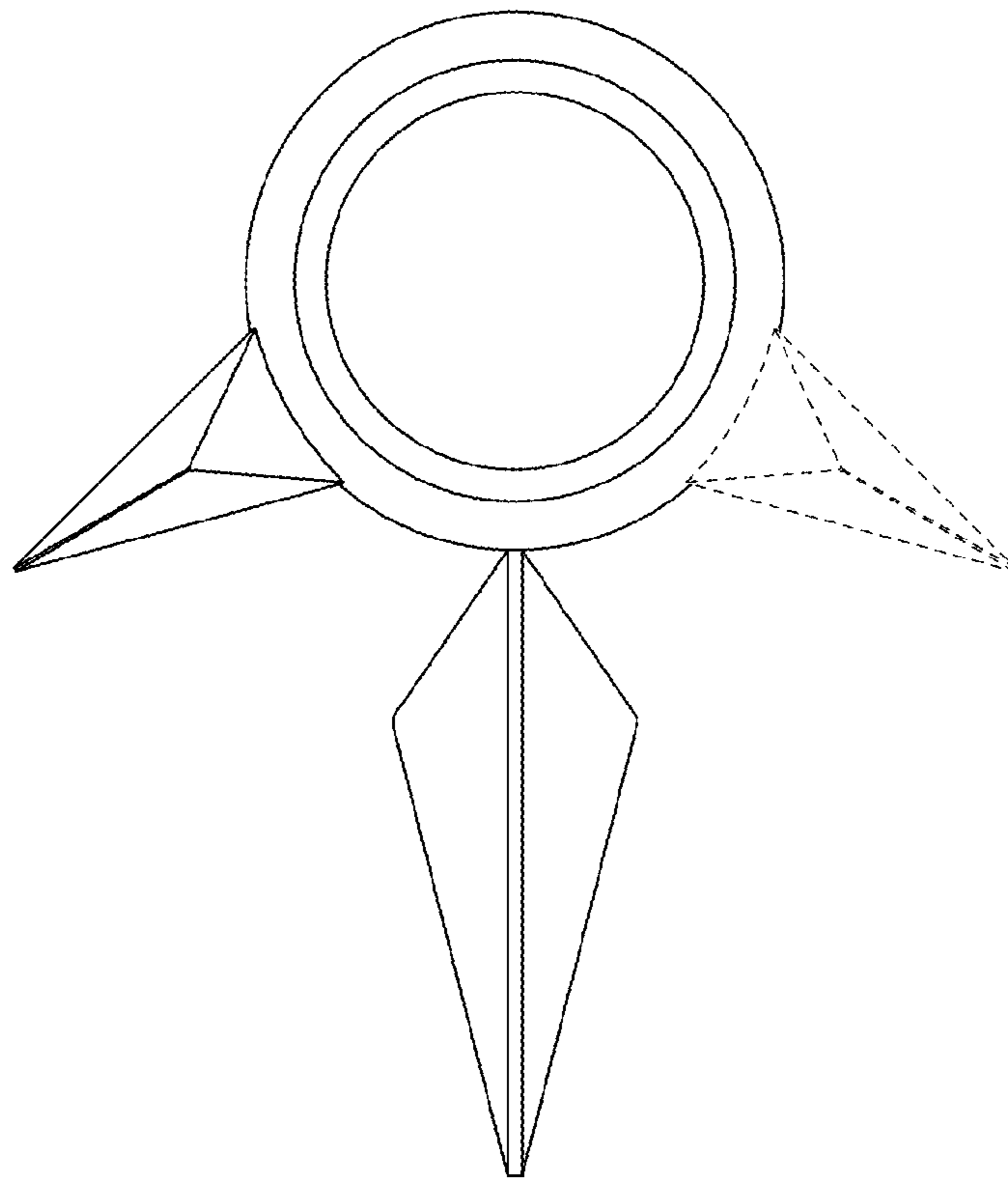


FIG. 45

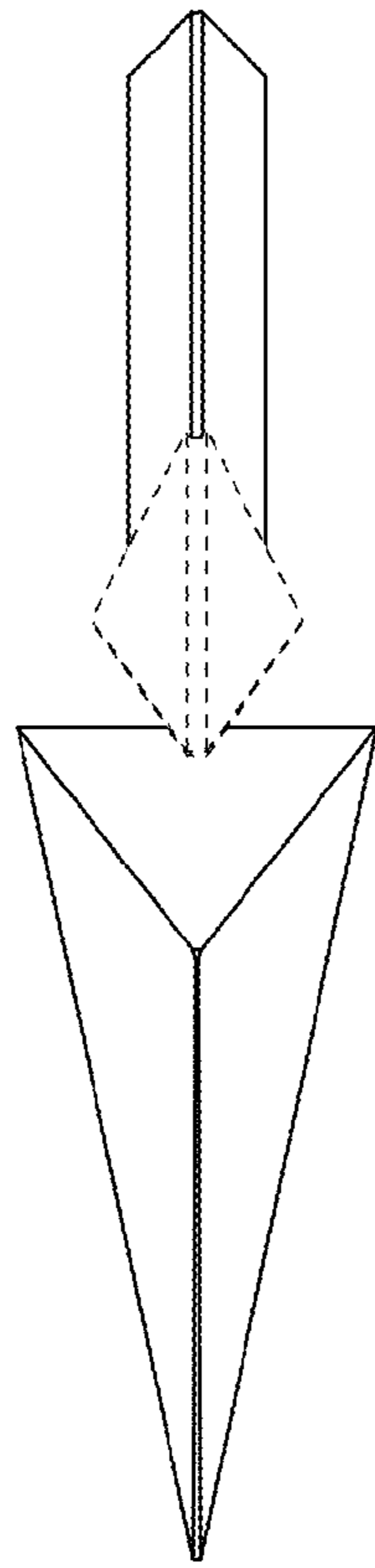


FIG. 46

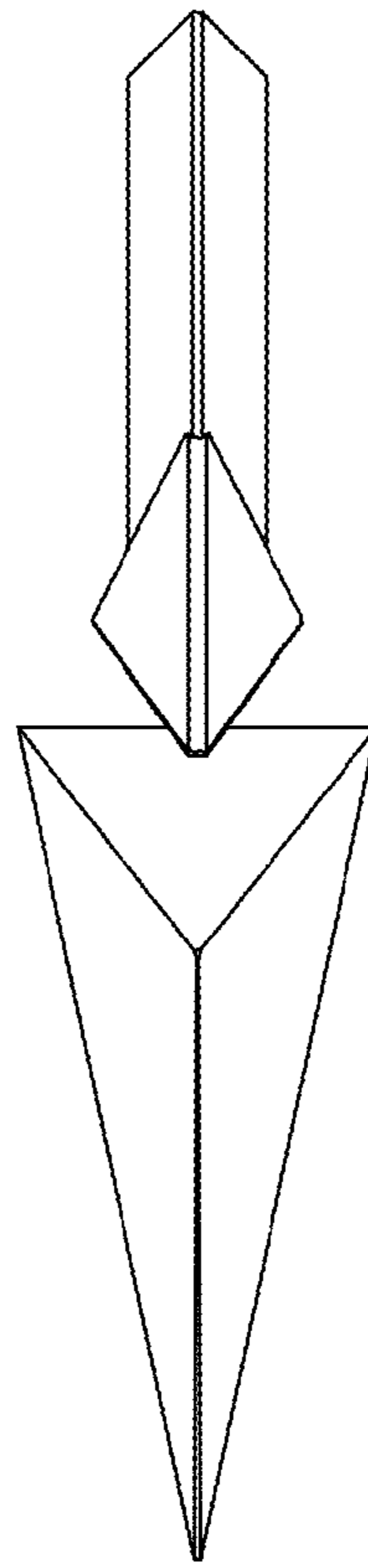


FIG. 47

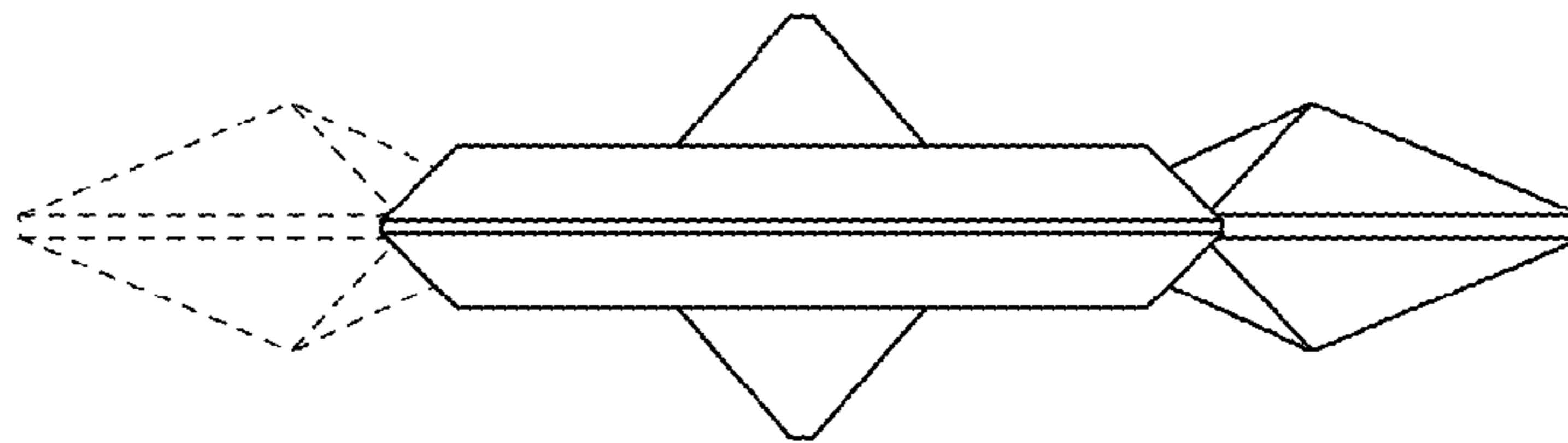


FIG. 48

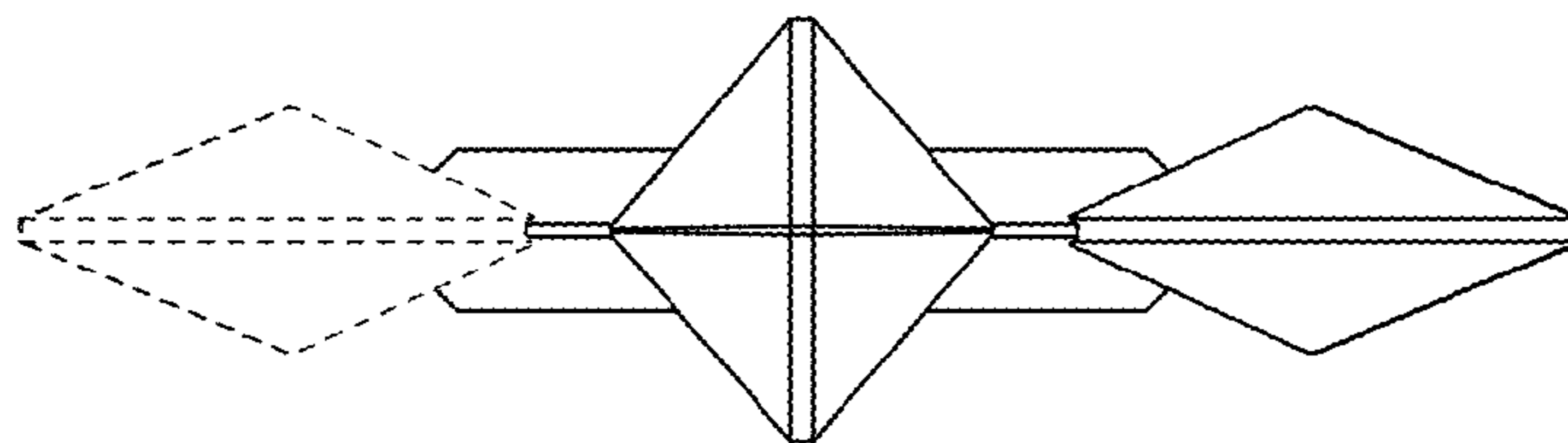


FIG. 49

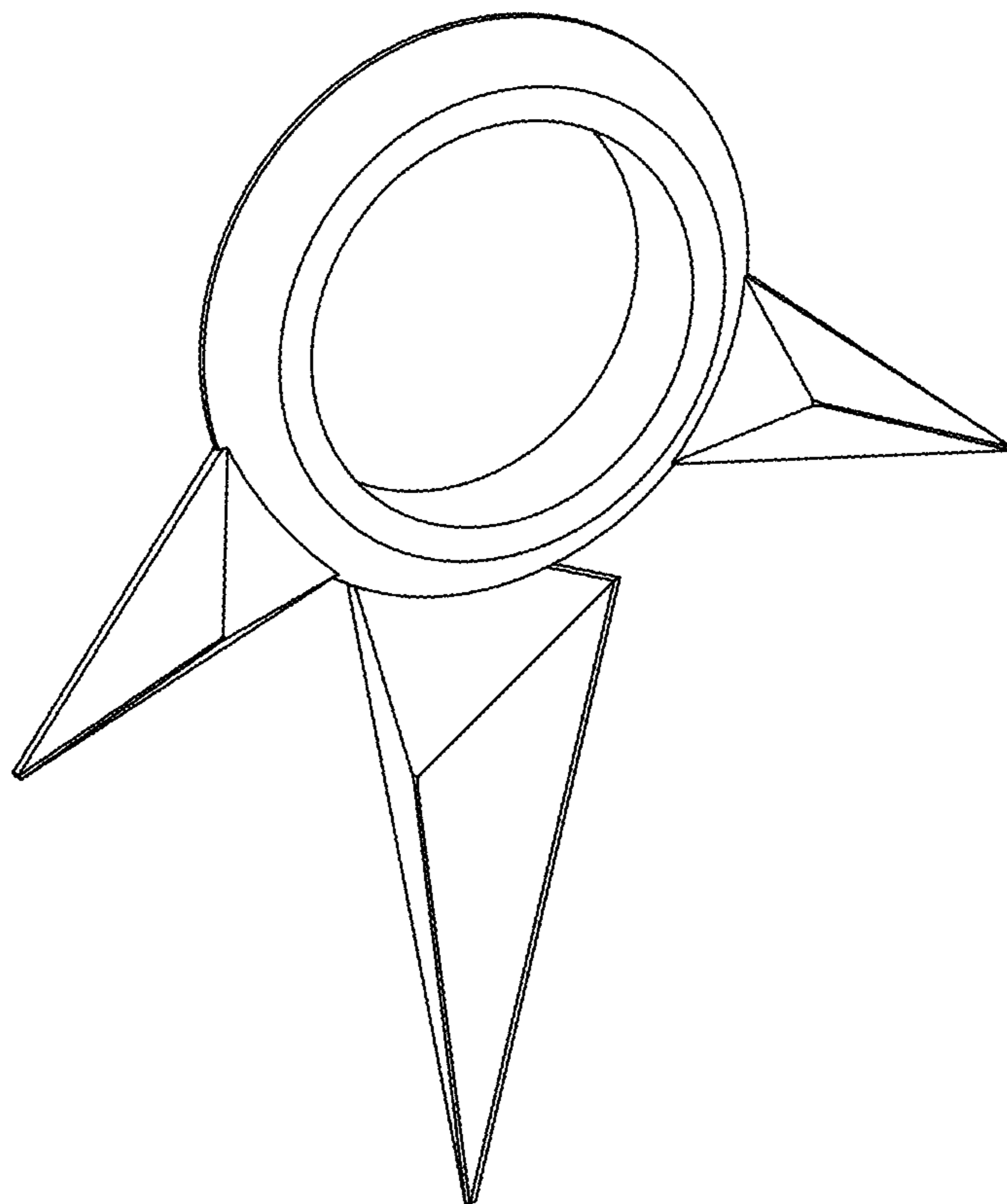


FIG. 50

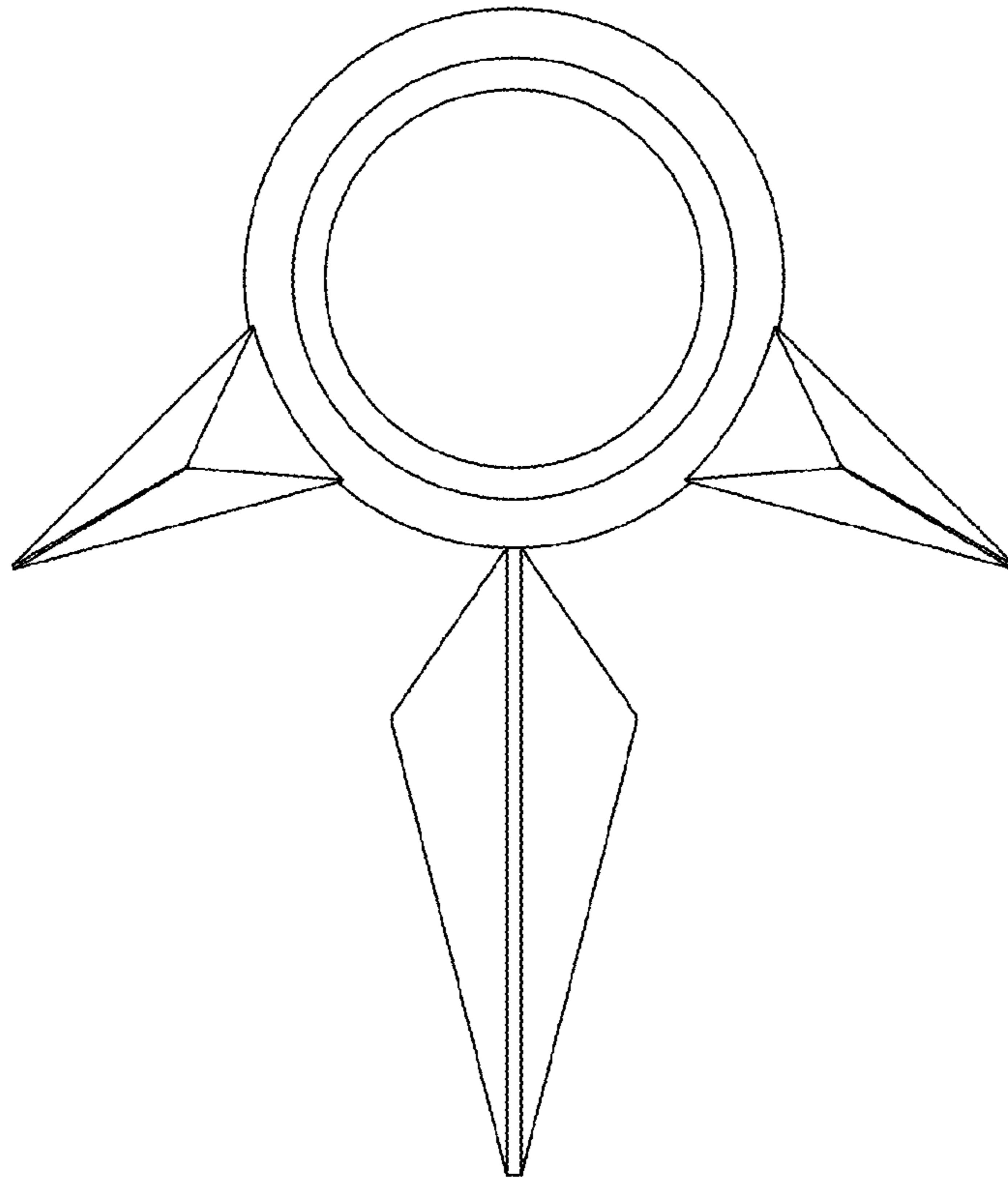


FIG. 51

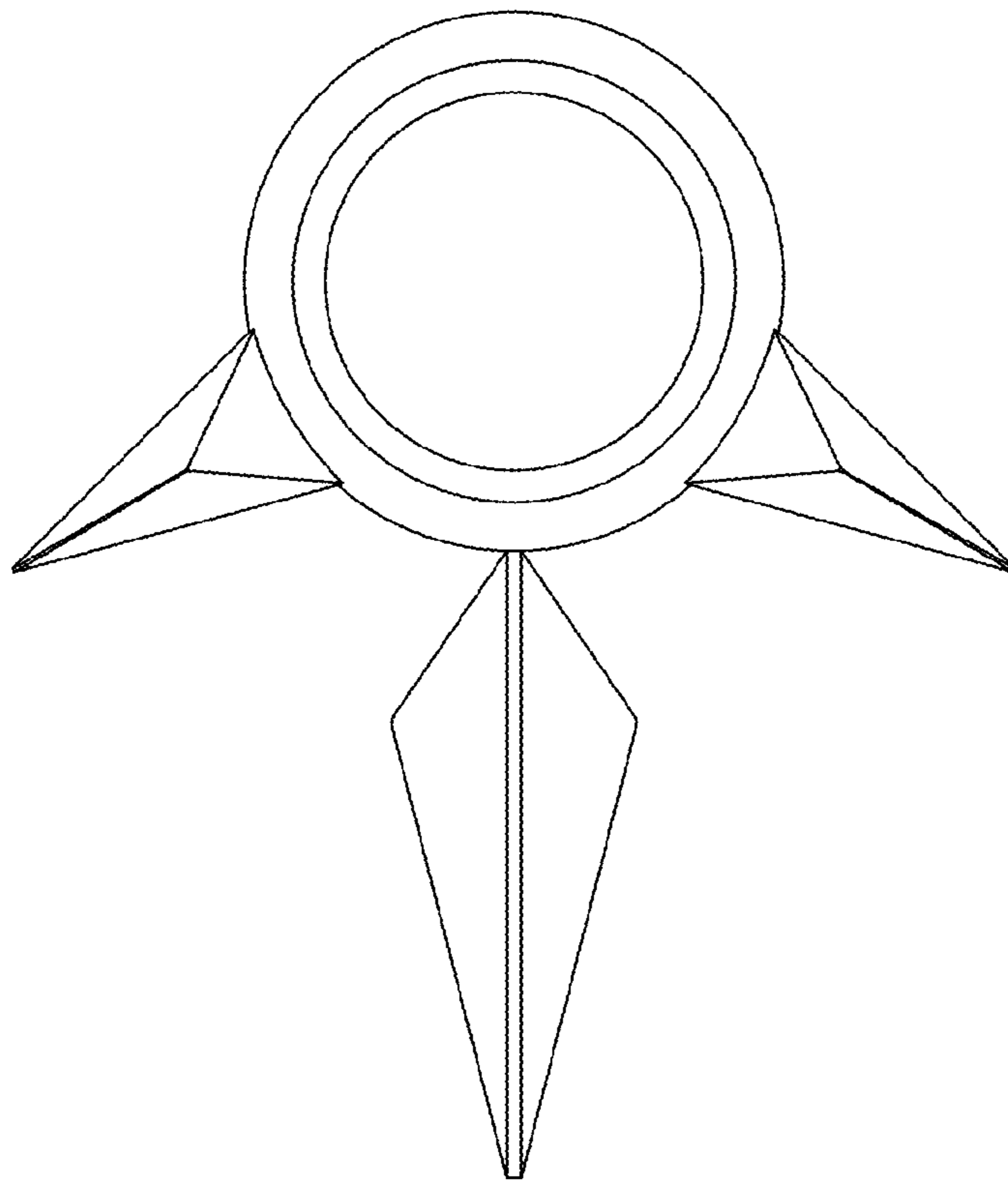


FIG. 52

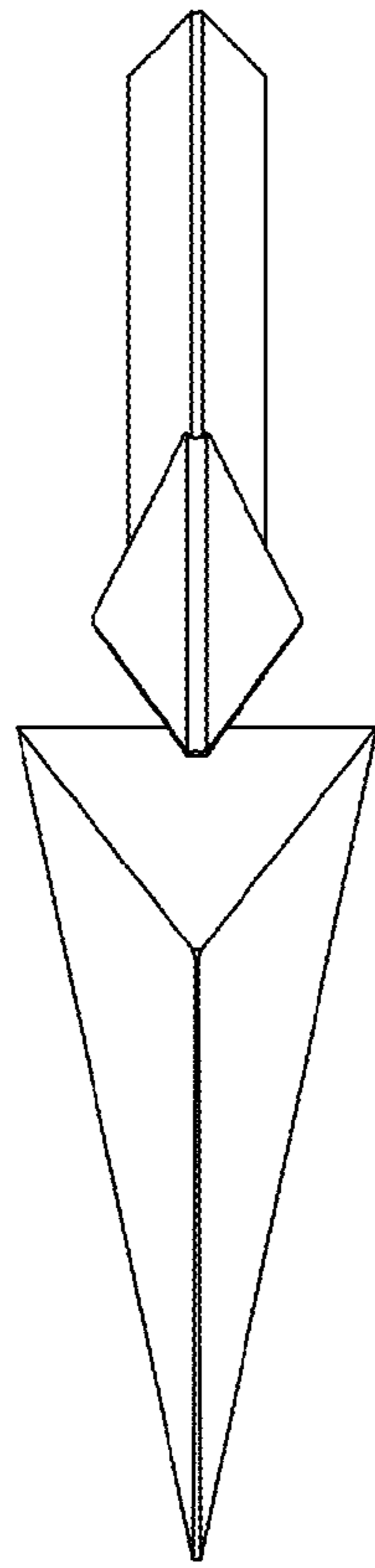


FIG. 53

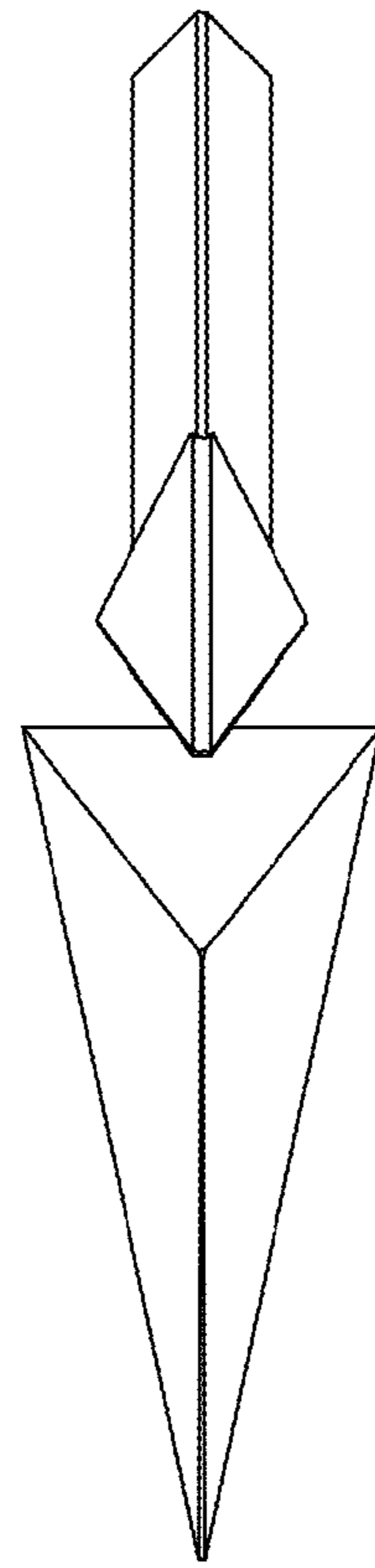


FIG. 54

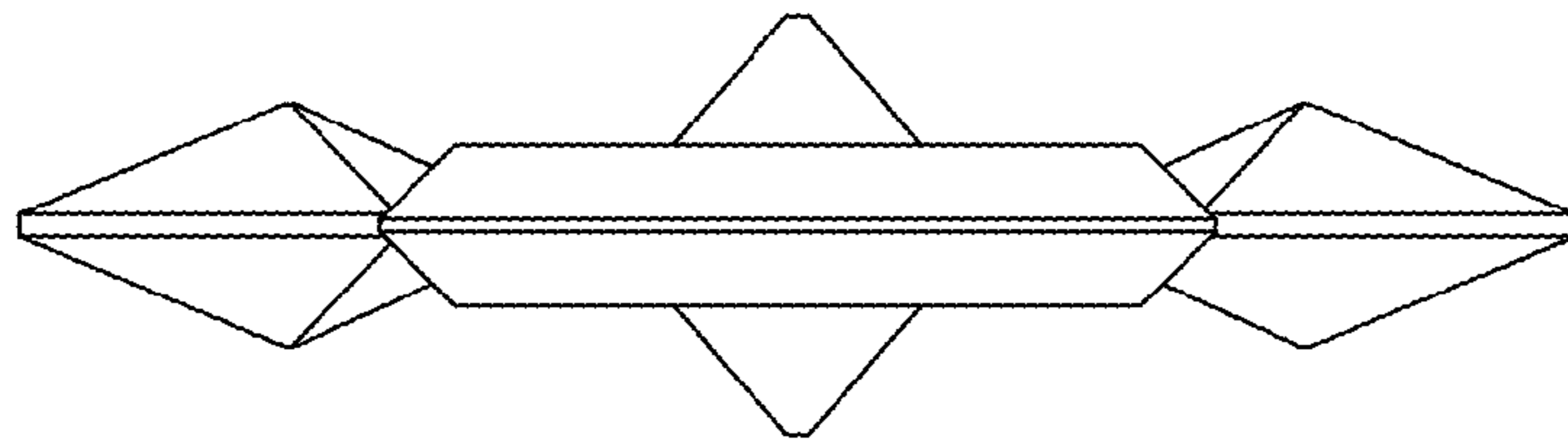


FIG. 55

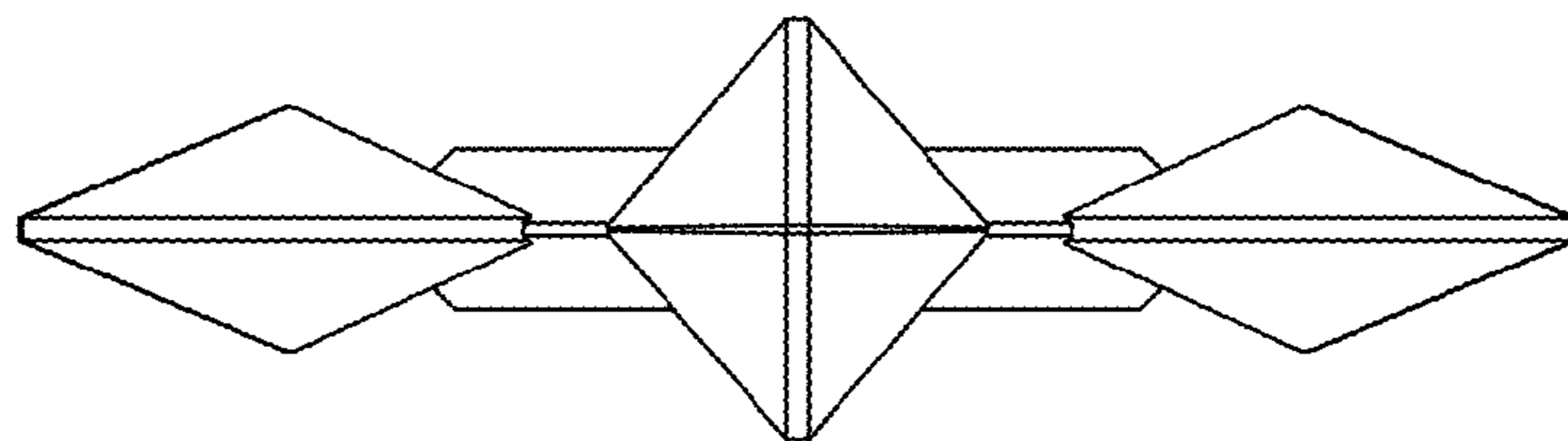


FIG. 56