



US00D984298S

(12) **United States Design Patent**  
**Cercede**

(10) **Patent No.:** **US D984,298 S**  
(45) **Date of Patent:** **\*\* Apr. 25, 2023**

(54) **WATCH DIAL**  
(71) Applicant: **Cartier International AG**, Steinhausen (CH)  
(72) Inventor: **Marie Laure Cercede**, Choulex (CH)

D729,075 S \* 5/2015 Delhotal ..... D10/126  
D732,985 S \* 6/2015 Cerrato ..... D10/39  
D761,146 S \* 7/2016 Boulangeot ..... D10/126  
D911,863 S \* 3/2021 Parmigiani ..... D10/126  
D947,685 S \* 4/2022 Gimenez ..... D10/39  
D972,954 S \* 12/2022 Davoli ..... D10/126  
2017/0060090 A1\* 3/2017 Heise ..... G04B 27/026

(\*\*) Term: **15 Years**

**OTHER PUBLICATIONS**

(21) Appl. No.: **35/514,129**

The Comeback of the Pasha de Cartier | fratellowatches.com; published Apr. 27, 2022 [online]. © 1996-2023, Amazon.com, Inc [retrieved Feb. 24, 2023] from Internet: <https://www.fratellowatches.com/the-comeback-of-the-pasha-de-cartier-as-a-complete-collection/#gref> (Year: 2022).\*

(22) Filed: **Feb. 26, 2022**

Cartier Launches 3 New Complicated Pashas at Watches Wonders 2022 | hodinkee.com; published Mar. 31, 2022 [online]. © 1996-2023, Amazon.com, Inc [retrieved Feb. 24, 2023] from Internet: <https://www.hodinkee.com/articles/for-2022-the-cartier-pasha-gets-complicated-again> (Year: 2022).\*

(80) **Hague Agreement Data**

Int. Filing Date: **Feb. 26, 2022**  
Int. Reg. No.: **DM/219289**  
Int. Reg. Date: **Feb. 26, 2022**  
Int. Reg. Pub. Date: **Apr. 29, 2022**

(51) **LOC (14) Cl.** ..... **10-07**

\* cited by examiner

(52) **U.S. Cl.**

*Primary Examiner* — Katherine Glennon

USPC ..... **D10/126**

(58) **Field of Classification Search**

(57) **CLAIM**

USPC ..... D10/30–39, 122–129, 131–132  
CPC ..... G04B 19/00; G04B 19/06; G04B 19/065;  
G04B 19/08; G04B 19/082; G04B  
19/085; G04B 19/087; G04B 19/10;  
G04B 19/12; G04B 19/202; G04B 19/24;  
G04B 19/243; G04B 19/26; G04B  
19/262; G04B 19/268

The ornamental design for a watch dial, as shown and described.

See application file for complete search history.

**DESCRIPTION**

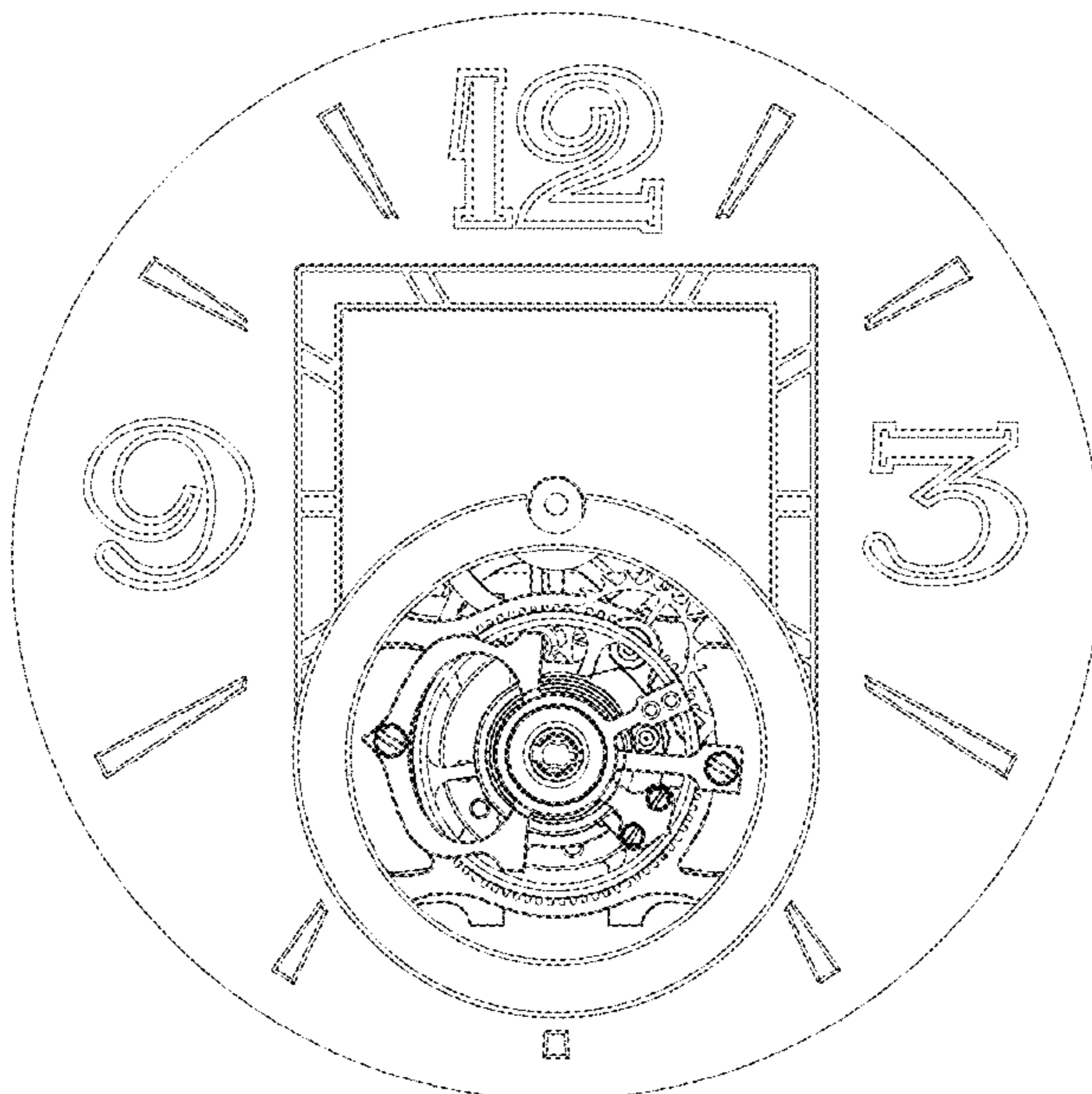
(56) **References Cited**

- 1. Watch dial
- 1.1 is a front view of a watch dial showing my new design;
- 1.2 is a rear view thereof;
- 1.3 is a top view thereof;
- 1.4 is a bottom view thereof;
- 1.5 is a left view thereof;
- 1.6 is a right view thereof;
- 1.7 is a front perspective view thereof; and
- 1.8 is a rear perspective view thereof.

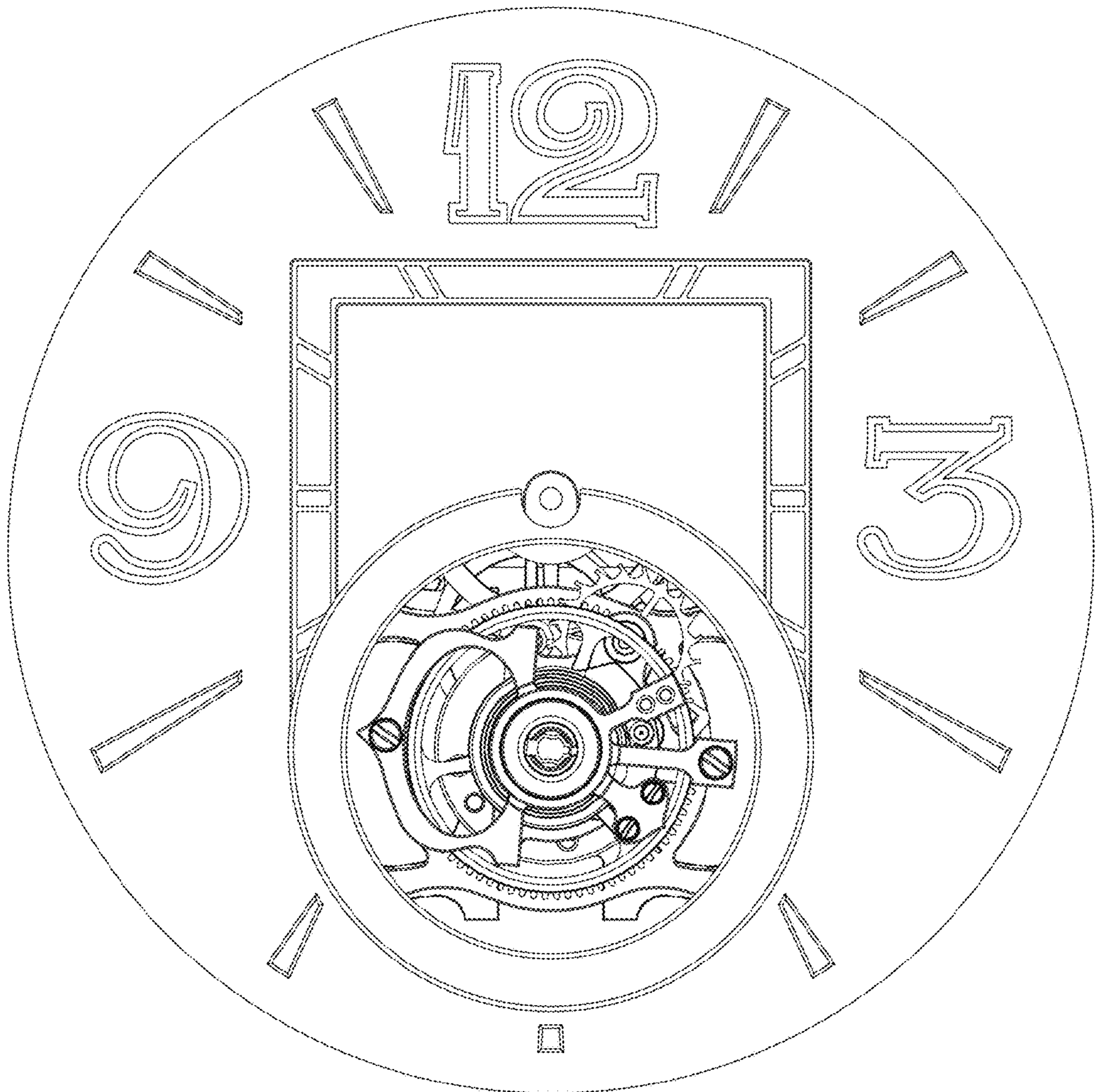
**U.S. PATENT DOCUMENTS**

5,608,694 A \* 3/1997 Grimm ..... G04B 17/285  
368/142  
D460,002 S \* 7/2002 Wunderman ..... D10/32  
D628,109 S \* 11/2010 Boulangeot ..... D10/126  
D701,134 S \* 3/2014 Cerrato ..... D10/126

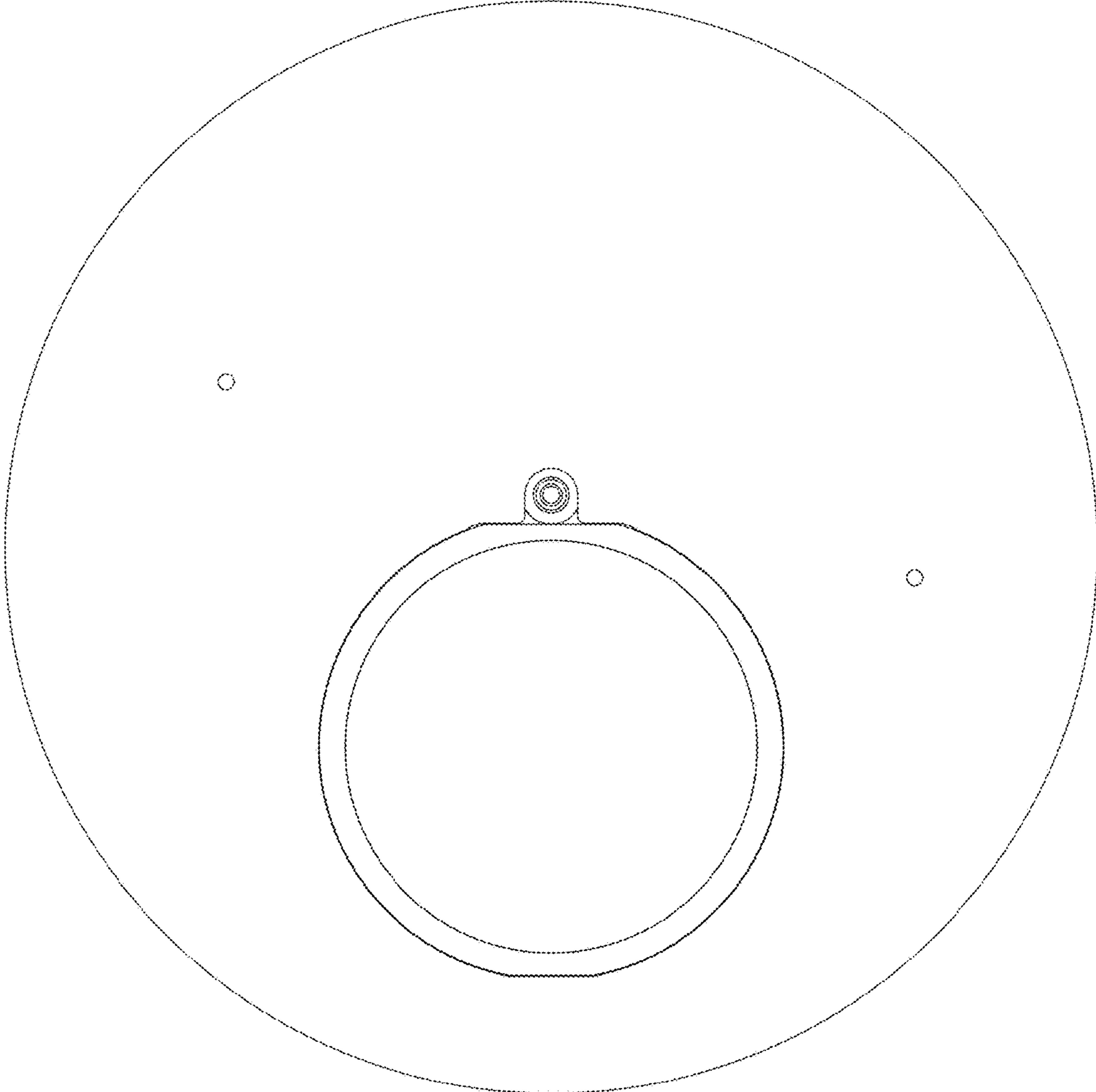
**1 Claim, 8 Drawing Sheets**



1.1



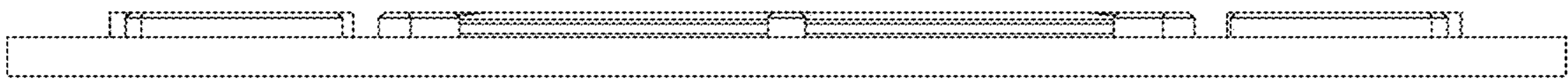
1.2



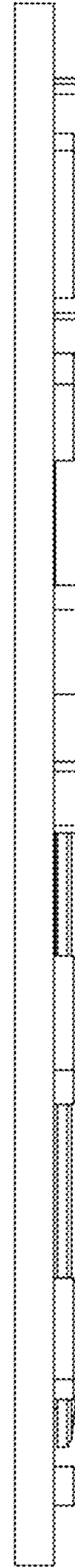
1.3



1.4



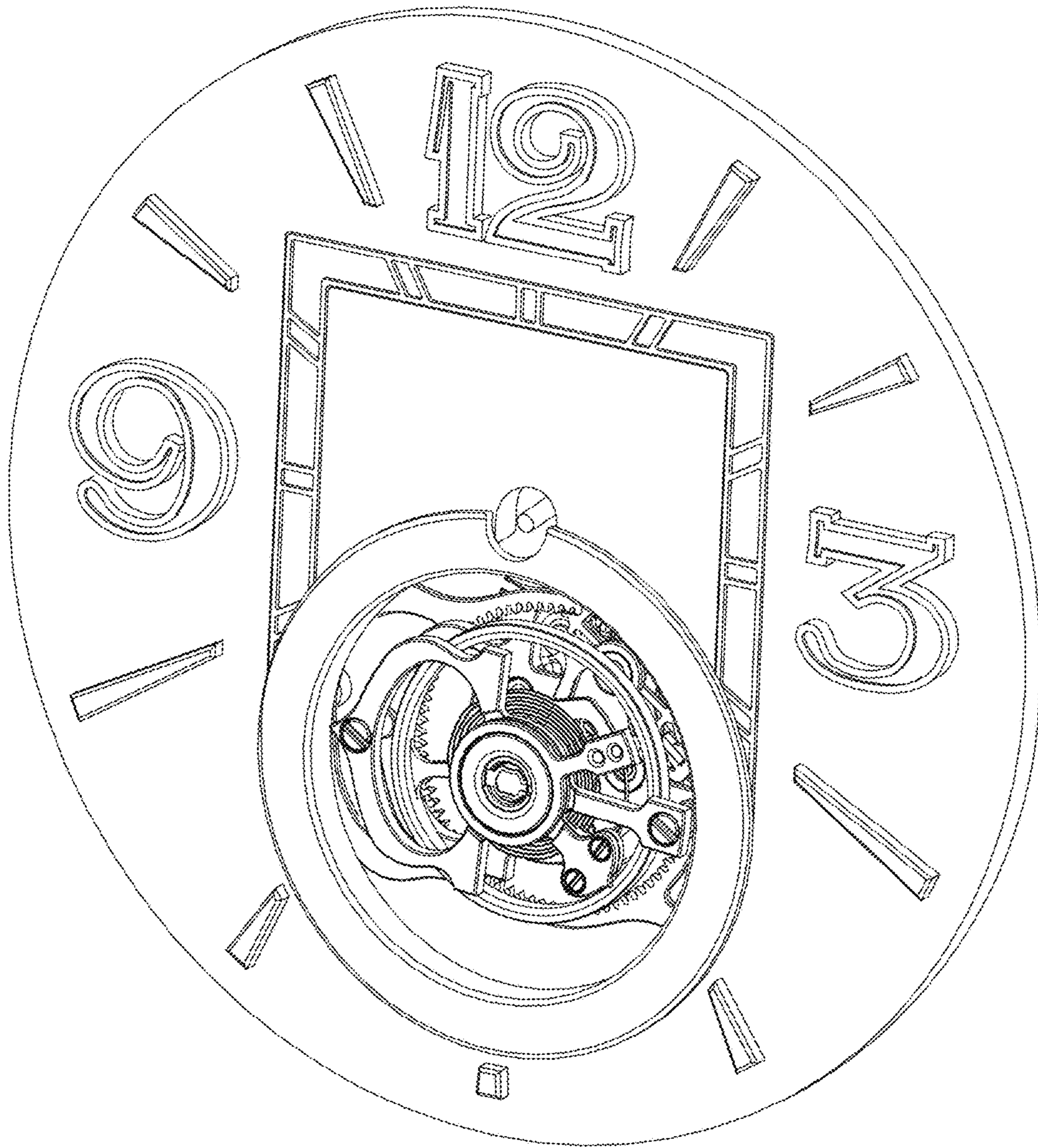
1.5



1.6



1.7





1.8

