



US00D984292S

(12) **United States Design Patent**
Yang

(10) **Patent No.:** **US D984,292 S**

(45) **Date of Patent:** **** Apr. 25, 2023**

(54) **DIGITAL CALIPER SLIDE**

(71) Applicant: **Vick Mian Yang**, Valencia, CA (US)

(72) Inventor: **Vick Mian Yang**, Valencia, CA (US)

(**) Term: **15 Years**

(21) Appl. No.: **29/791,499**

(22) Filed: **Jan. 13, 2022**

(51) **LOC (14) Cl.** **10-04**

(52) **U.S. Cl.**
USPC **D10/73**

(58) **Field of Classification Search**
USPC D10/73
CPC G01B 3/20; G01B 3/205; G01B 3/18
See application file for complete search history.

(56) **References Cited**

U.S. PATENT DOCUMENTS

D444,083 S *	6/2001	Ohtani	D10/73
D662,842 S *	7/2012	Zhang	D10/73
D695,638 S *	12/2013	Zhang	D10/73
D758,904 S *	6/2016	Edwards	D10/73
D774,928 S *	12/2016	Matsumiya	D10/73
D794,479 S *	8/2017	Zhang	D10/73
D806,590 S *	1/2018	Yang	D10/73

* cited by examiner

Primary Examiner — Antoine Duval Davis

(74) *Attorney, Agent, or Firm* — Dunlap Bennett & Ludwig, PLLC

(57) **CLAIM**

The ornamental design for a digital caliper slide, as shown and described.

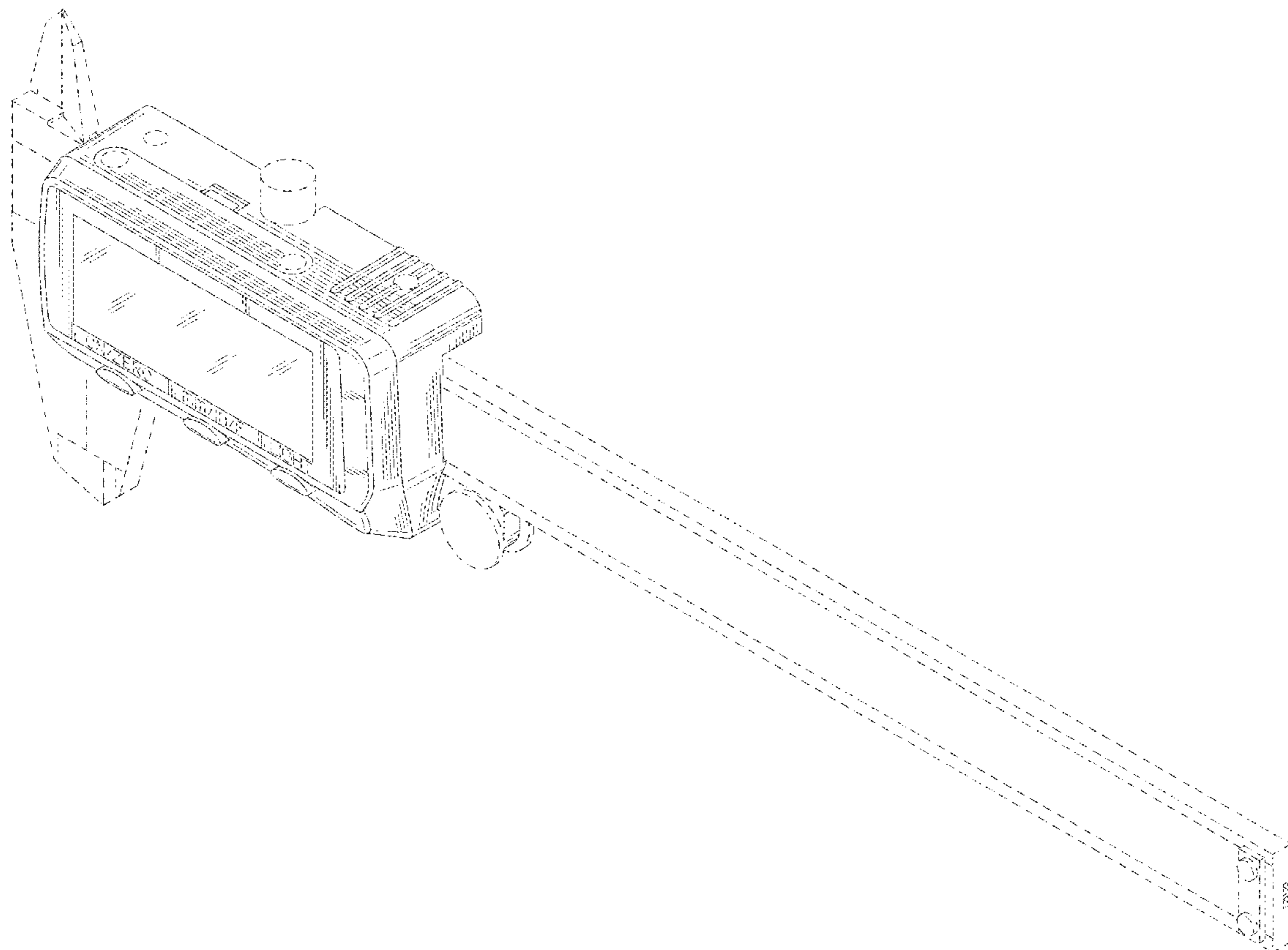
DESCRIPTION

FIG. 1 is a front perspective view of a digital caliper slide, showing my new design;
FIG. 2 is a front elevation view thereof;
FIG. 3 is a rear elevation view thereof;
FIG. 4 is a right side elevation view thereof;
FIG. 5 is a left side elevation view thereof;
FIG. 6 is a top plan view thereof;
FIG. 7 is a bottom plan view thereof; and,
FIG. 8 is a front perspective view of the digital caliper slide shown in a used condition.

The even sized dash-dash broken lines showing the caliper in FIG. 8 depicts environmental subject matter that forms no part of the claimed design, while the remaining even sized dash-dash broken lines shown in the drawings depict portions of the digital caliper slide that form no part of the claimed design.

The uneven sized dash-dot-dash broken lines depict the bounds of the digital caliper slide that form no part of the claimed design.

1 Claim, 4 Drawing Sheets



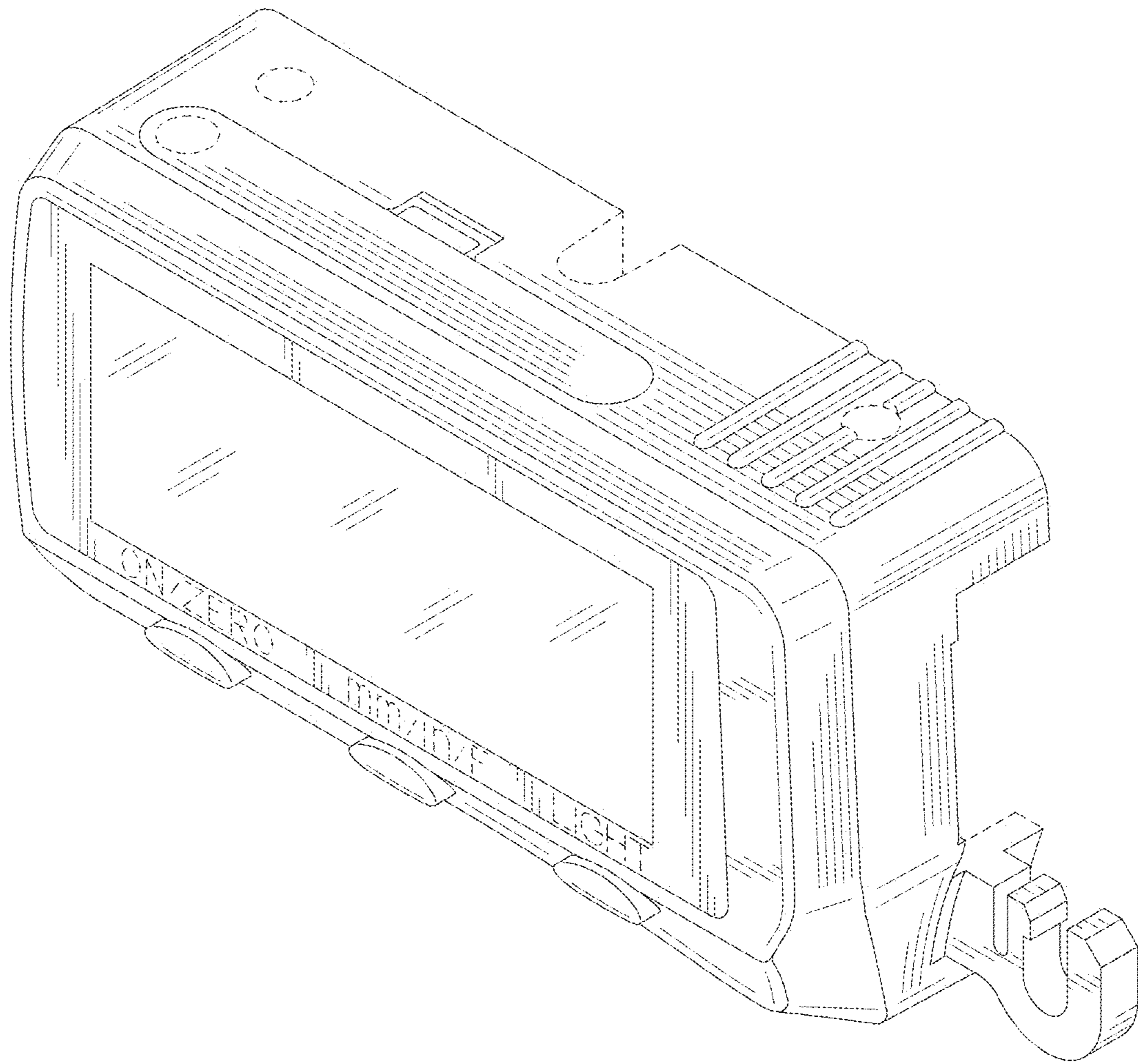


FIG. 1

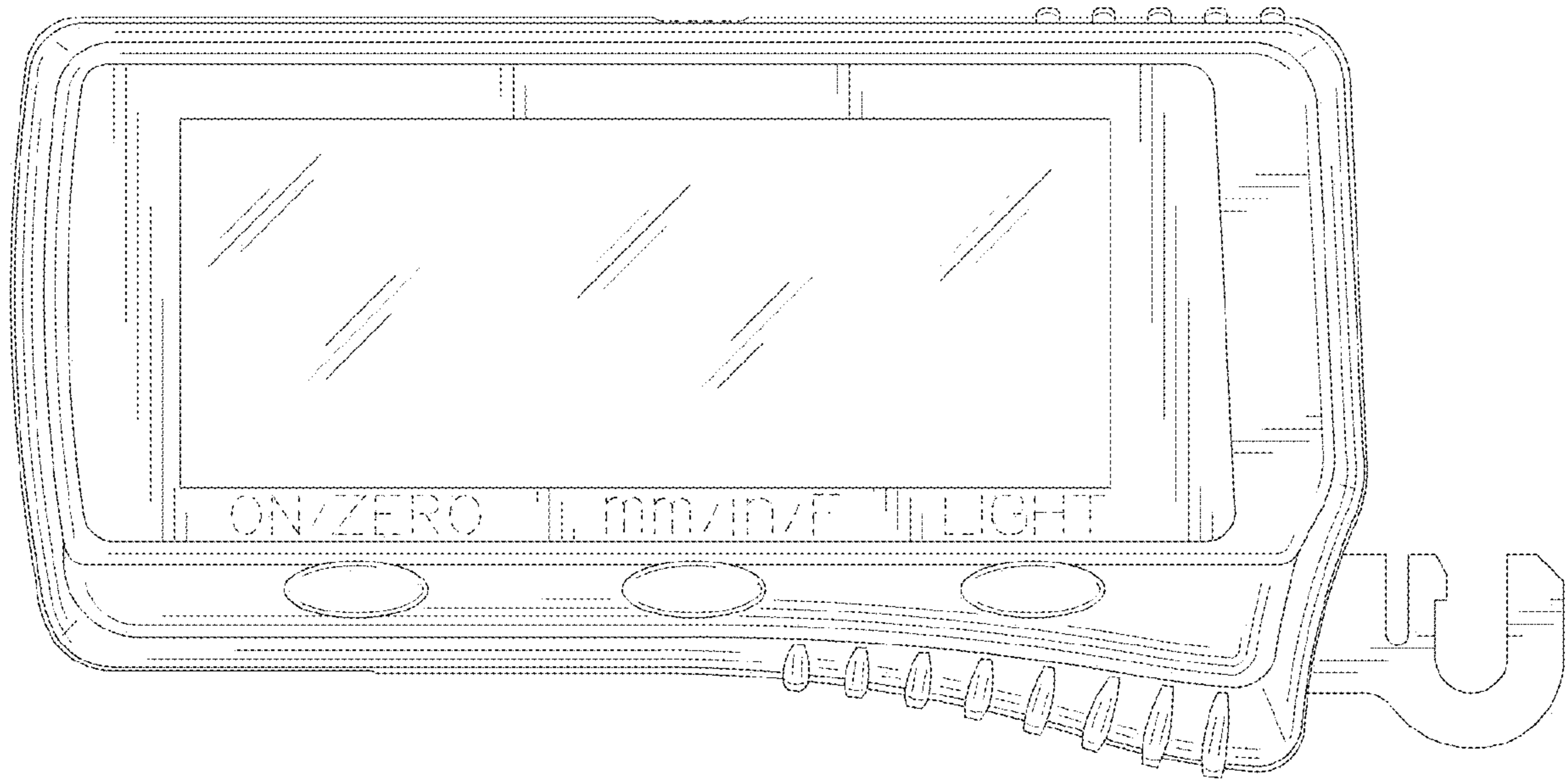


FIG. 2

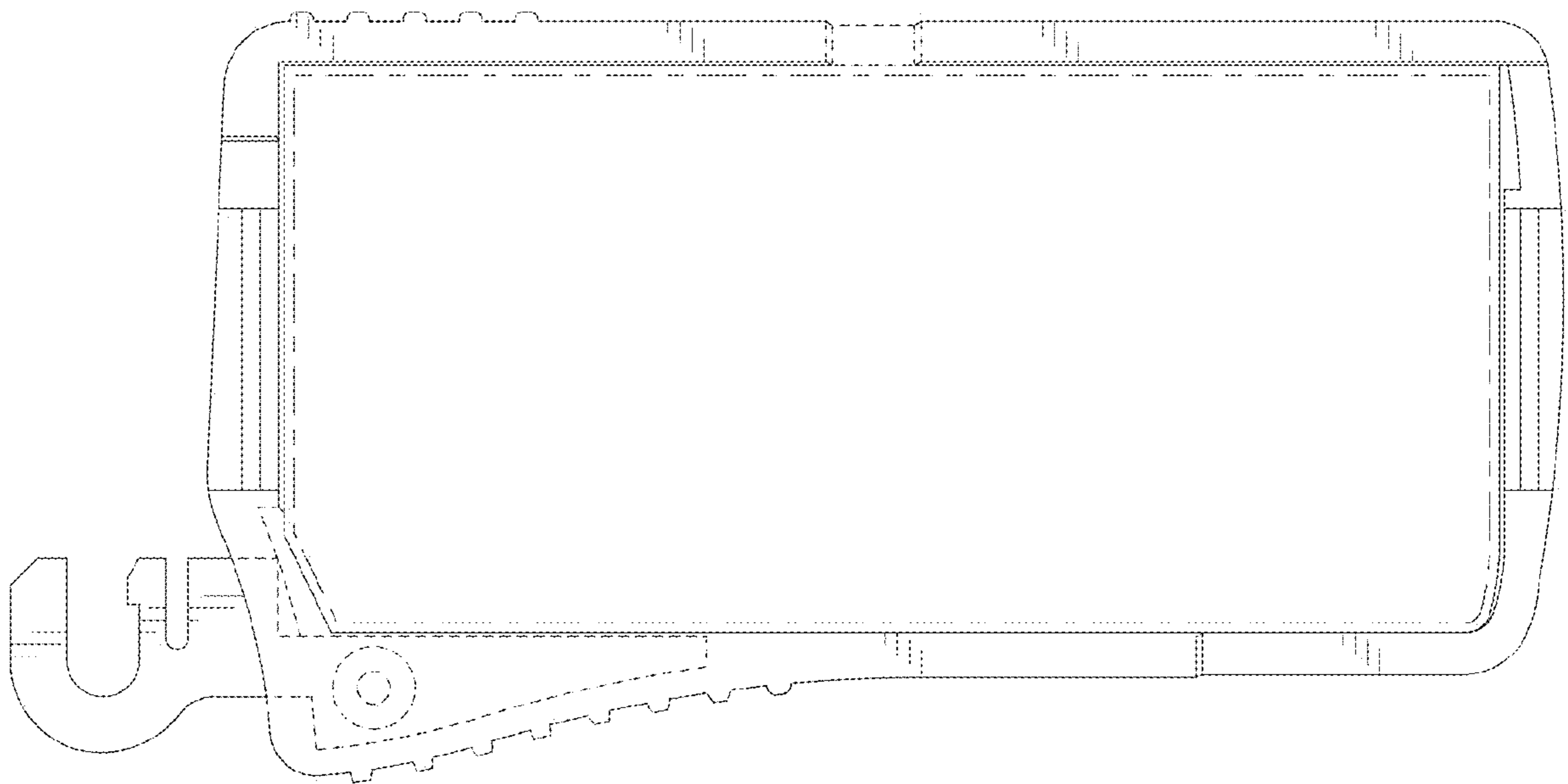


FIG. 3

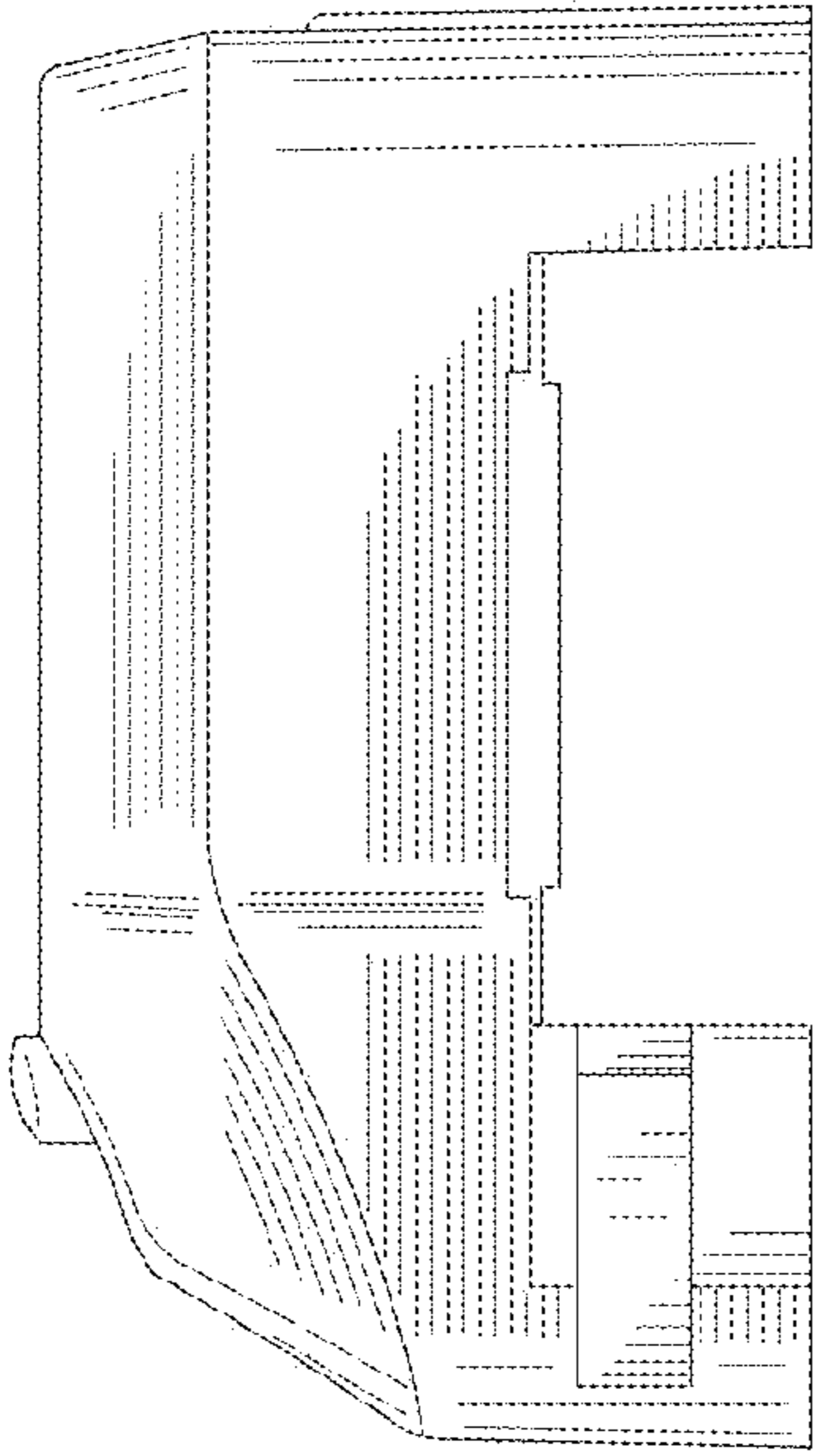


FIG. 4

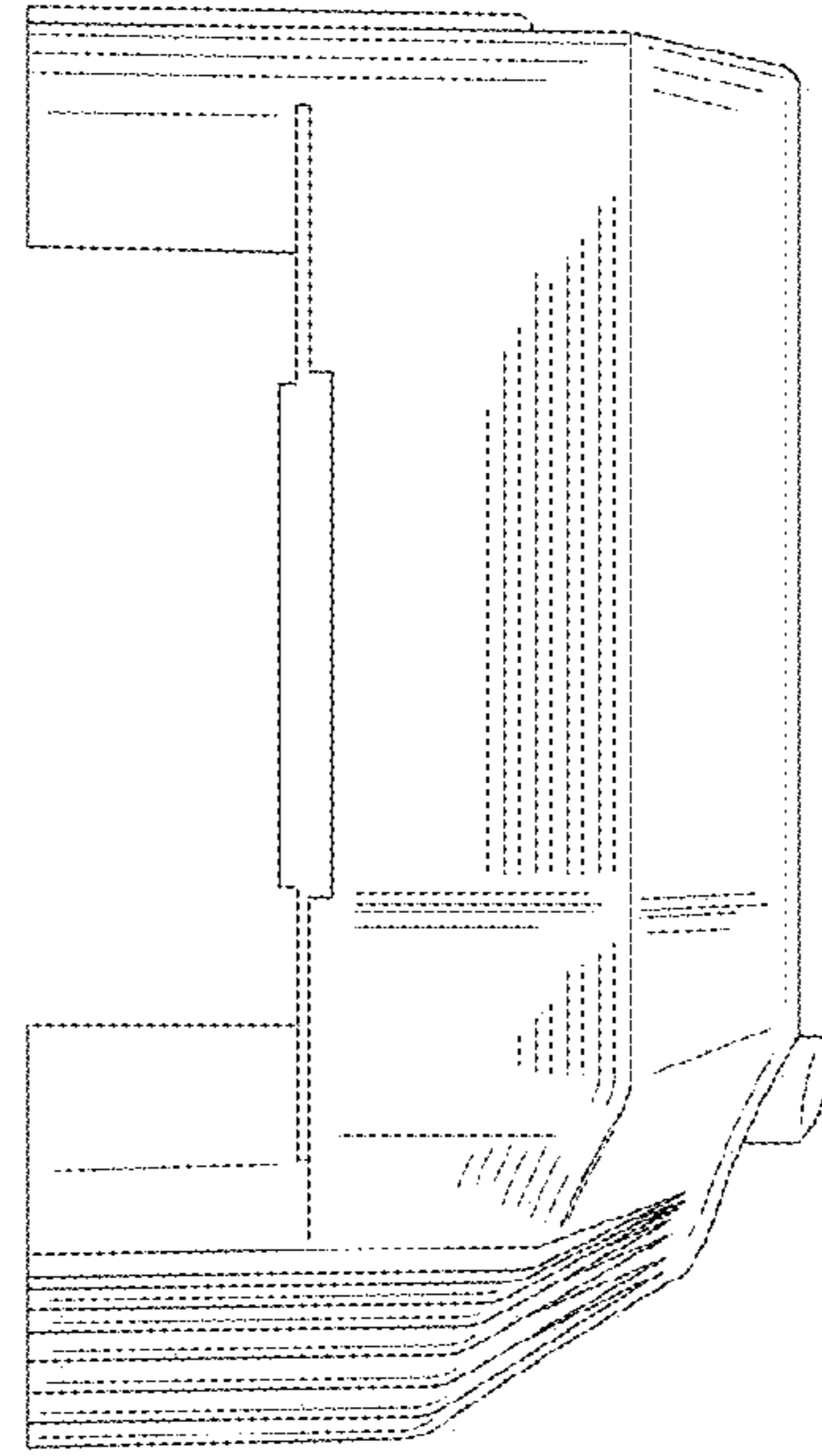


FIG. 5

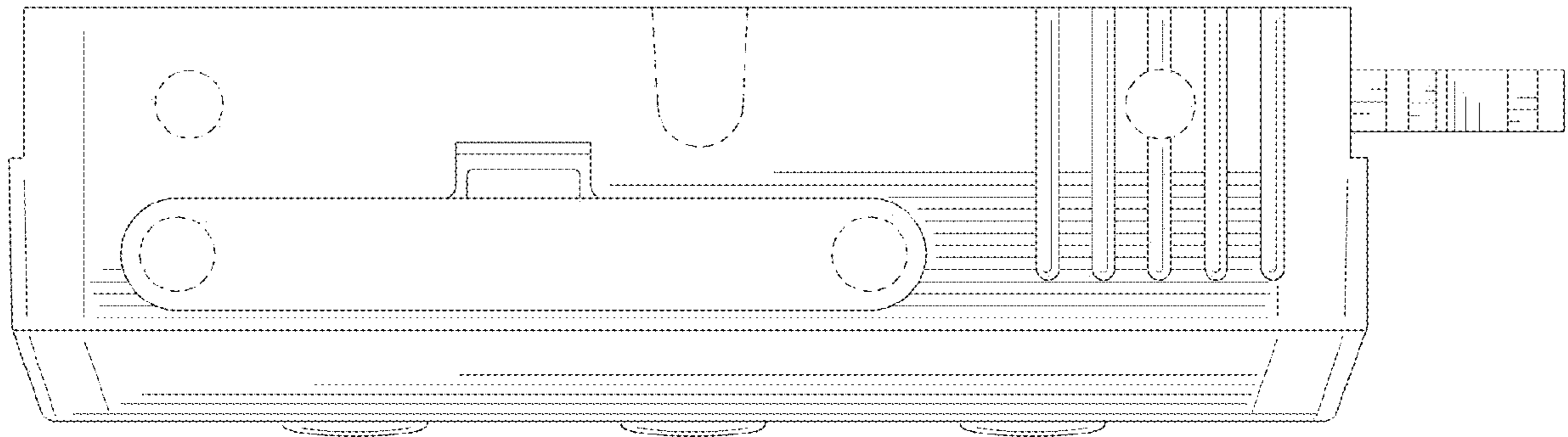


FIG. 6

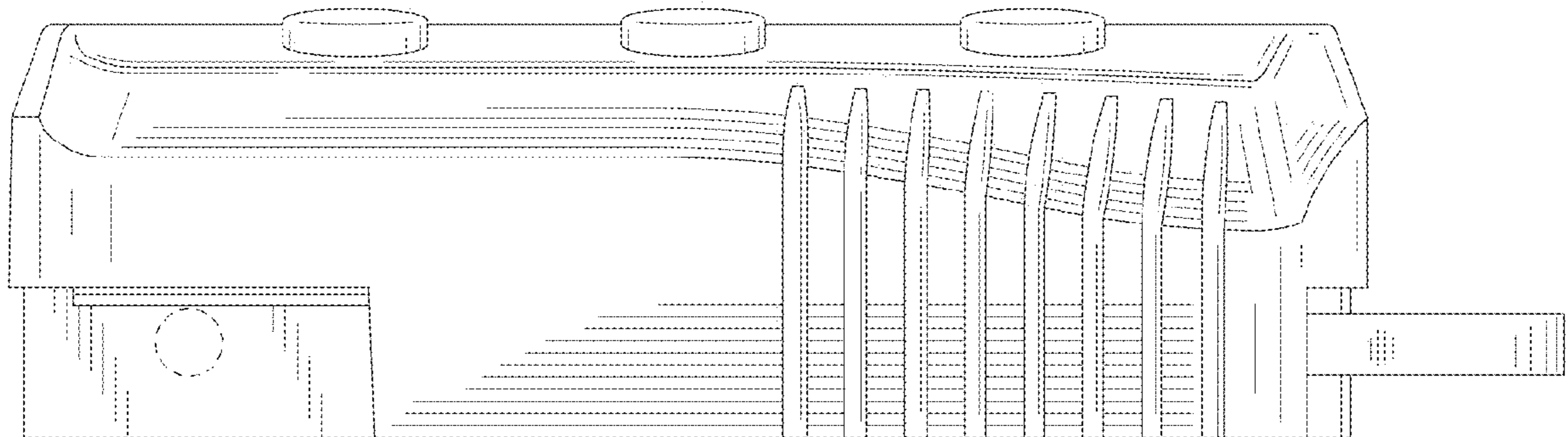


FIG. 7

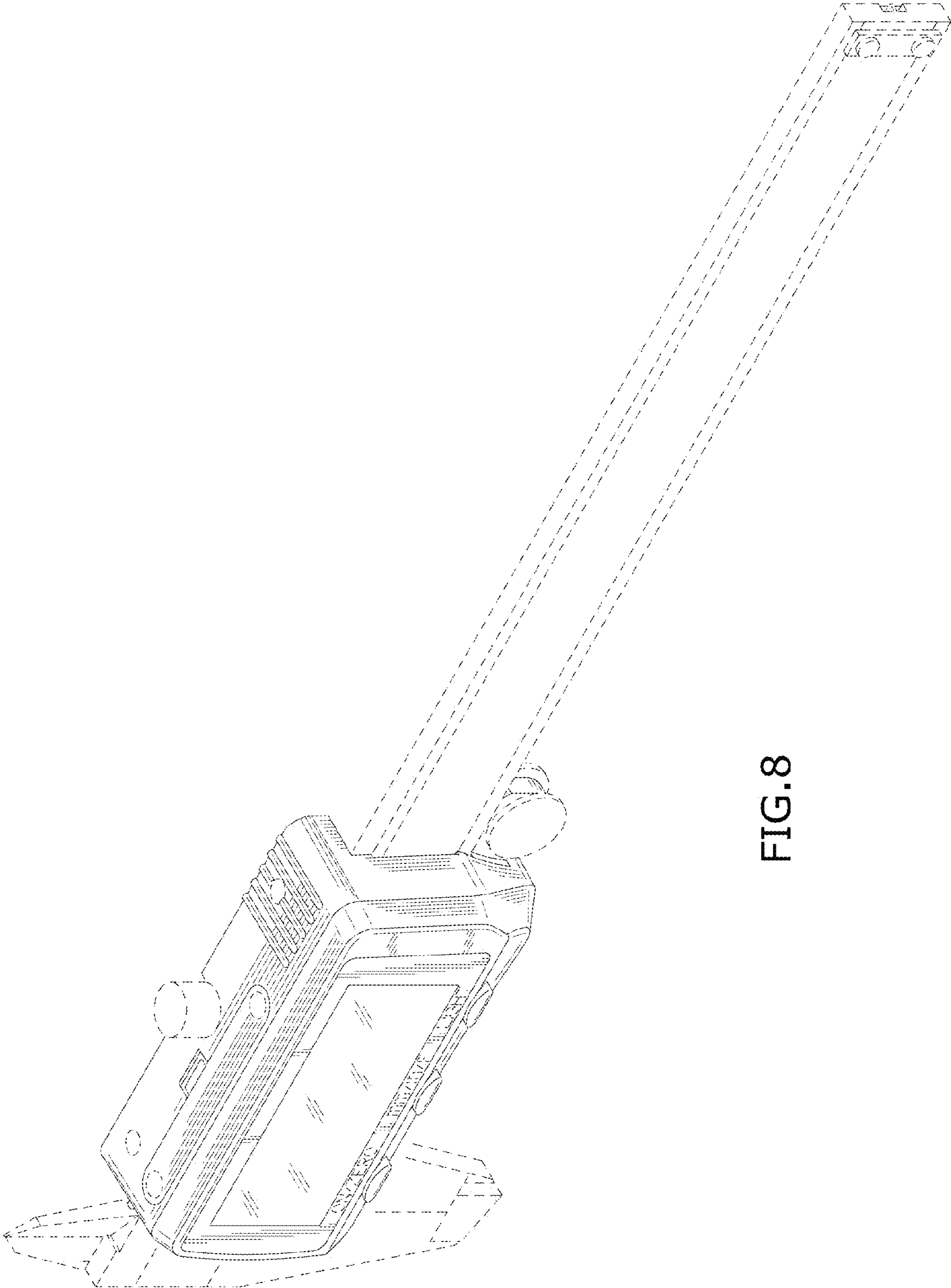


FIG.8