



US00D984291S

(12) **United States Design Patent**  
**Zhao**

(10) **Patent No.:** **US D984,291 S**

(45) **Date of Patent:** **\*\* Apr. 25, 2023**

(54) **CENTER TOOL**

(71) Applicant: **Jianfei Zhao**, Guangzhou (CN)

(72) Inventor: **Jianfei Zhao**, Guangzhou (CN)

(\*\*) Term: **15 Years**

(21) Appl. No.: **29/861,044**

(22) Filed: **Nov. 25, 2022**

(51) **LOC (14) Cl.** ..... **10-04**

(52) **U.S. Cl.**

USPC ..... **D10/71**

(58) **Field of Classification Search**

USPC ..... D10/61-65, 70-74; D18/34.9, 9;  
D24/140; D8/344

CPC ..... B25H 7/04; B25H 7/00; G01B 5/043

See application file for complete search history.

(56) **References Cited**

**U.S. PATENT DOCUMENTS**

D213,643 S *	3/1969	Gutowski	.....	D10/65
D260,616 S *	9/1981	Groves	.....	D10/65
D289,382 S *	4/1987	Porter	.....	D10/65
D289,981 S *	5/1987	Porter	.....	D10/64
4,812,075 A *	3/1989	Lavin, Sr.	.....	F16B 12/46 403/205
D336,618 S *	6/1993	Smith	.....	D10/65

(Continued)

**FOREIGN PATENT DOCUMENTS**

CN 304978996 \* 1/2019

**OTHER PUBLICATIONS**

Sunlfprod Mini Small Square, 90 Degree Precision Positioning Square, Edge Marking Center Finder Line Scribe Gauge Little Pocket Check Square Tool 45 Degree Carpenter Square Woodworking, Amazon, date first available Jan. 1, 2023, (online) URL: <https://www.amazon.com/SUNLFPROD-Precision> (Year: 2023).\*

(Continued)

*Primary Examiner* — George D. Kirschbaum

*Assistant Examiner* — Antoinette Martine Suiter

(74) *Attorney, Agent, or Firm* — Runit Ranjit Kanakia

(57) **CLAIM**

The ornamental design for a center tool, as shown and described.

**DESCRIPTION**

FIG. 1 is a front perspective view of a center tool in a used state, showing my new design;

FIG. 2 is a rear perspective view thereof;

FIG. 3 is a front elevational view thereof;

FIG. 4 is a rear elevational view thereof;

FIG. 5 is a left side view thereof;

FIG. 6 is a right side view thereof;

FIG. 7 is a top plan view thereof;

FIG. 8 is a bottom plan view thereof;

FIG. 9 is a front perspective view of a center tool in another state;

FIG. 10 is a rear perspective view thereof;

FIG. 11 is a front perspective view of the first component of the center tool;

FIG. 12 is a rear perspective view thereof;

FIG. 13 is a front elevational view thereof;

FIG. 14 is a rear elevational view thereof;

FIG. 15 is a left side view thereof;

FIG. 16 is a right side view thereof;

FIG. 17 is a top plan view thereof;

FIG. 18 is a bottom plan view thereof;

FIG. 19 is a front perspective view of the second component of the center tool;

FIG. 20 is a rear perspective view thereof;

FIG. 21 is a front elevational view thereof;

FIG. 22 is a rear elevational view thereof;

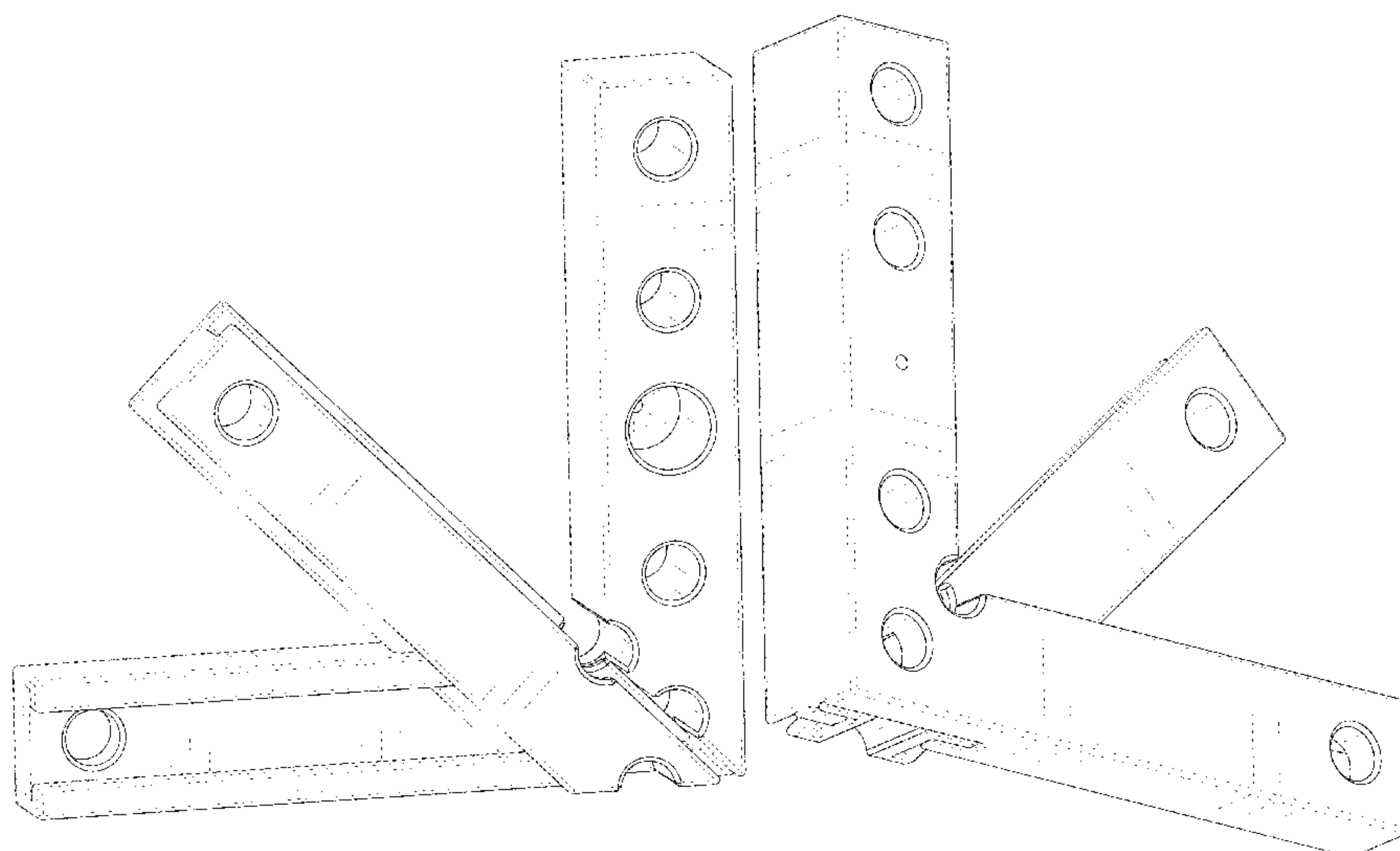
FIG. 23 is a left side view thereof;

FIG. 24 is a right side view thereof;

FIG. 25 is a top plan view thereof; and,

FIG. 26 is a bottom plan view thereof.

**1 Claim, 17 Drawing Sheets**



(56)

**References Cited**

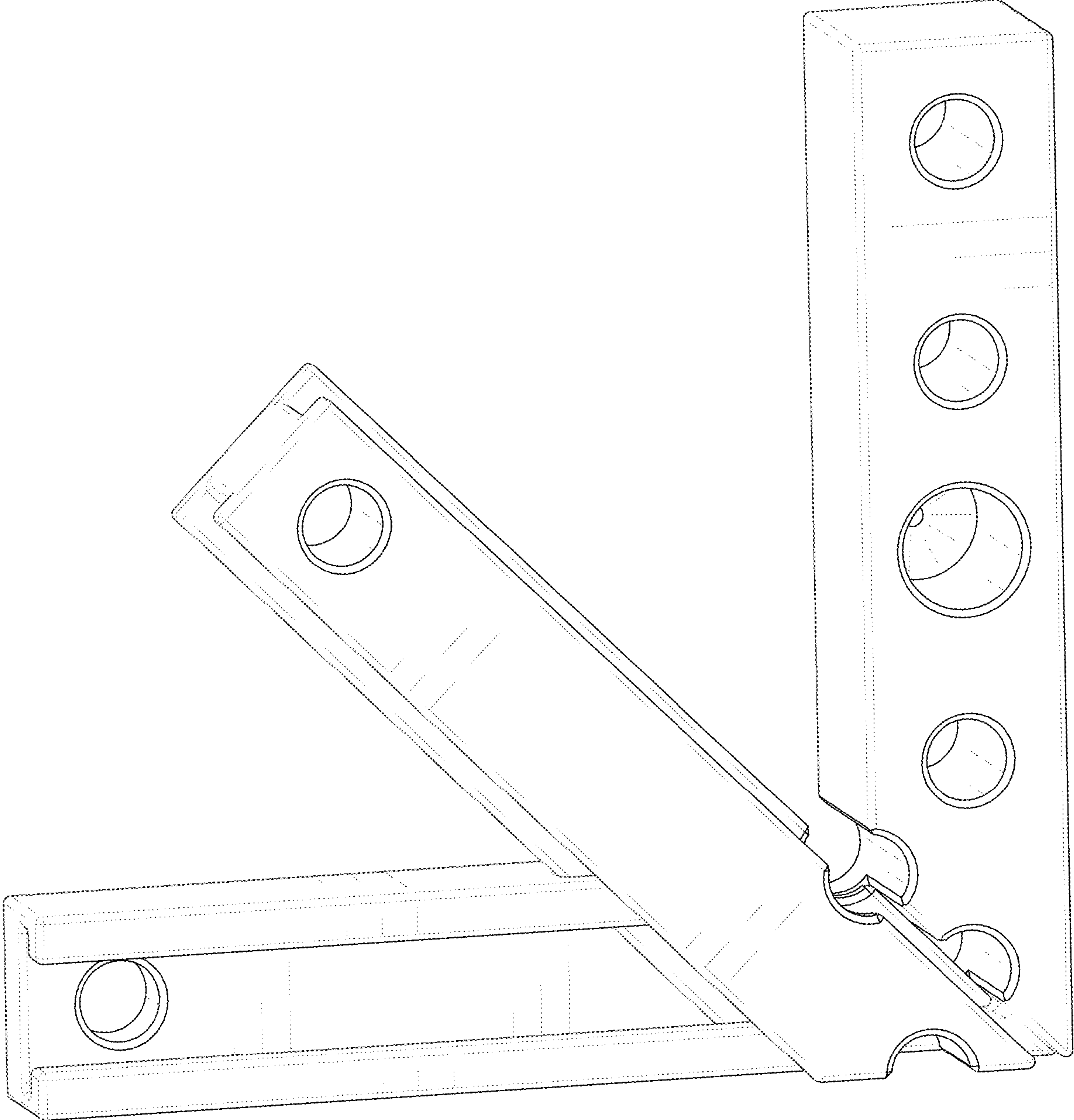
U.S. PATENT DOCUMENTS

D353,111	S	12/1994	Meador	
D363,679	S *	10/1995	Spencer	D10/65
D399,769	S	10/1998	Taylor	
D424,455	S *	5/2000	Hemmelgarn	D10/74
D428,348	S *	7/2000	Hatfield	D10/65
6,327,786	B1 *	12/2001	Felix	B25H 7/00 33/474
D528,446	S	9/2006	Camuso	
D544,382	S	6/2007	Bowers	
D657,271	S	4/2012	Quint, Jr.	
D692,785	S *	11/2013	Pirayesh	D10/65
D736,659	S	8/2015	Okazaki	
D738,176	S *	9/2015	Rooney	D10/64
D827,460	S *	9/2018	Lindberg	D10/65
D853,255	S	7/2019	Lee	
D853,256	S	7/2019	Lee	
D946,378	S *	3/2022	Hummel	D8/354
D962,092	S	8/2022	Hummel	
D967,720	S *	10/2022	Holloway	D10/65
2007/0221292	A1 *	9/2007	Krohmer	B25H 7/00 144/286.5

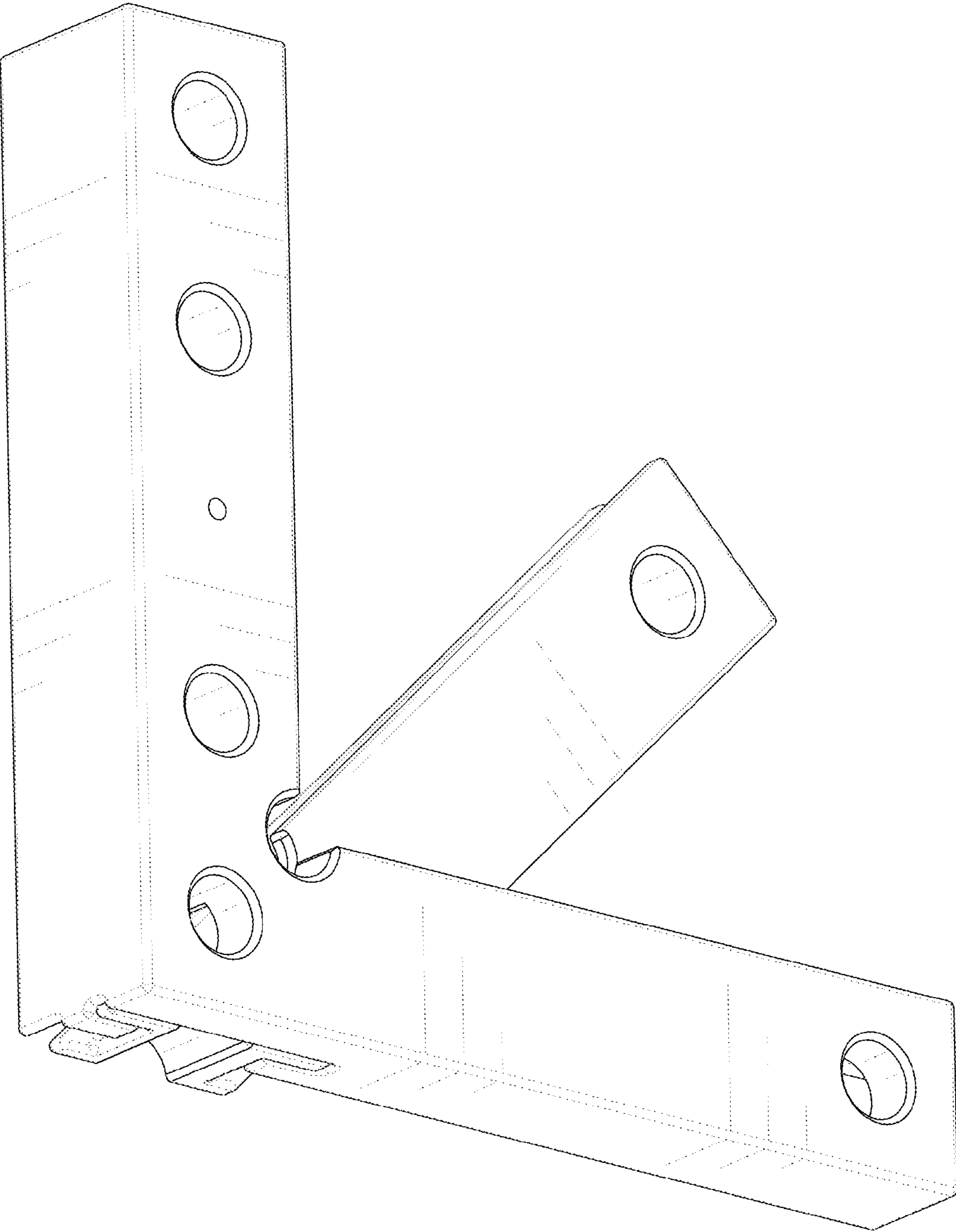
OTHER PUBLICATIONS

Woodwork Measuring Tool, Line Gauge Center Finder, <sup>45</sup>/<sub>90</sub> Degree Right Angle Line Gauge, Amazon, date first available Dec. 11, 2018, (online) URL: <https://www.amazon.com/Woodwork-Measuring-Carpenter-Aluminum-Woodworking/dp/B07L94MTDV?th=1> (Year: 2018).\*

\* cited by examiner

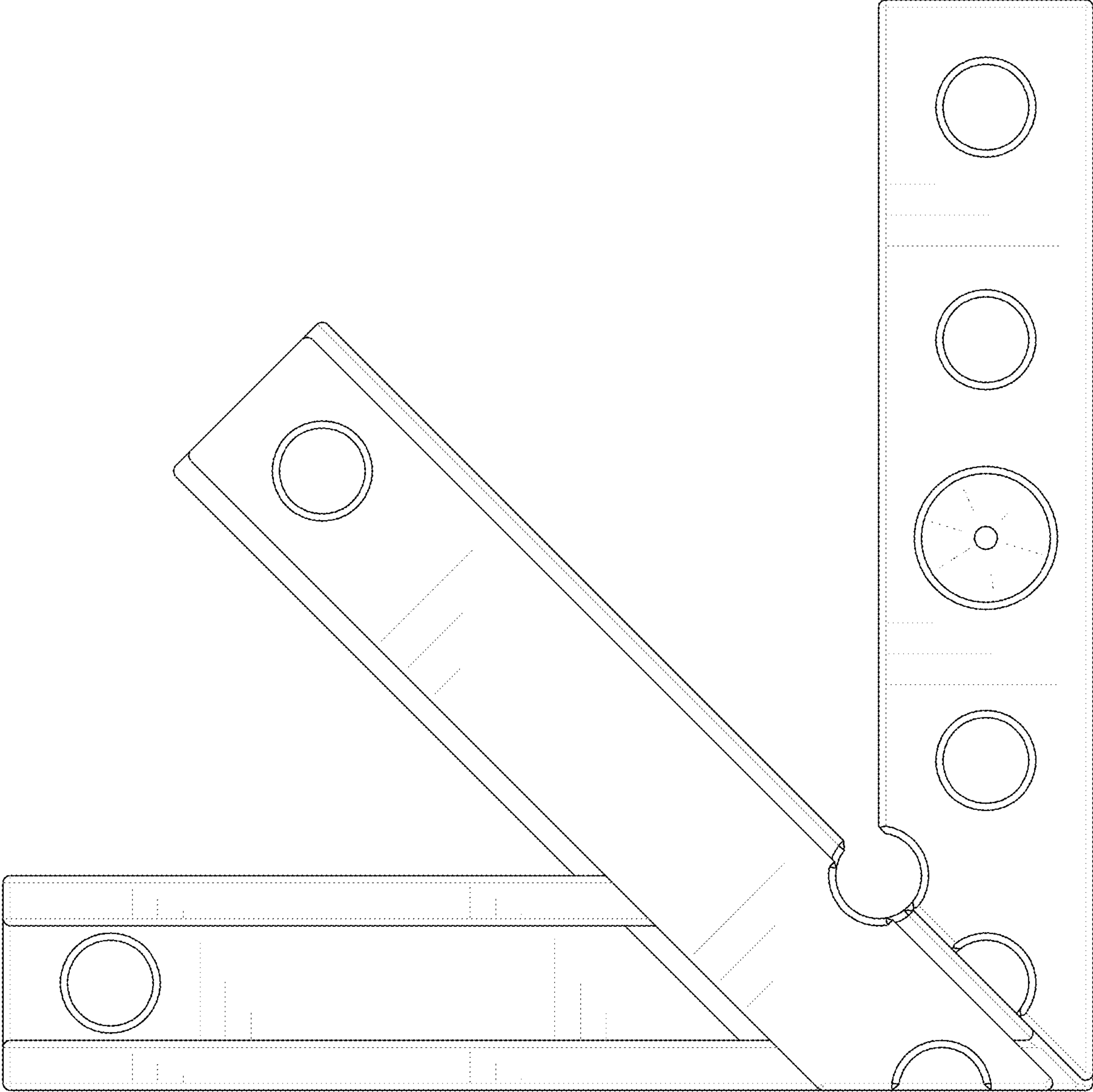


**FIG. 1**

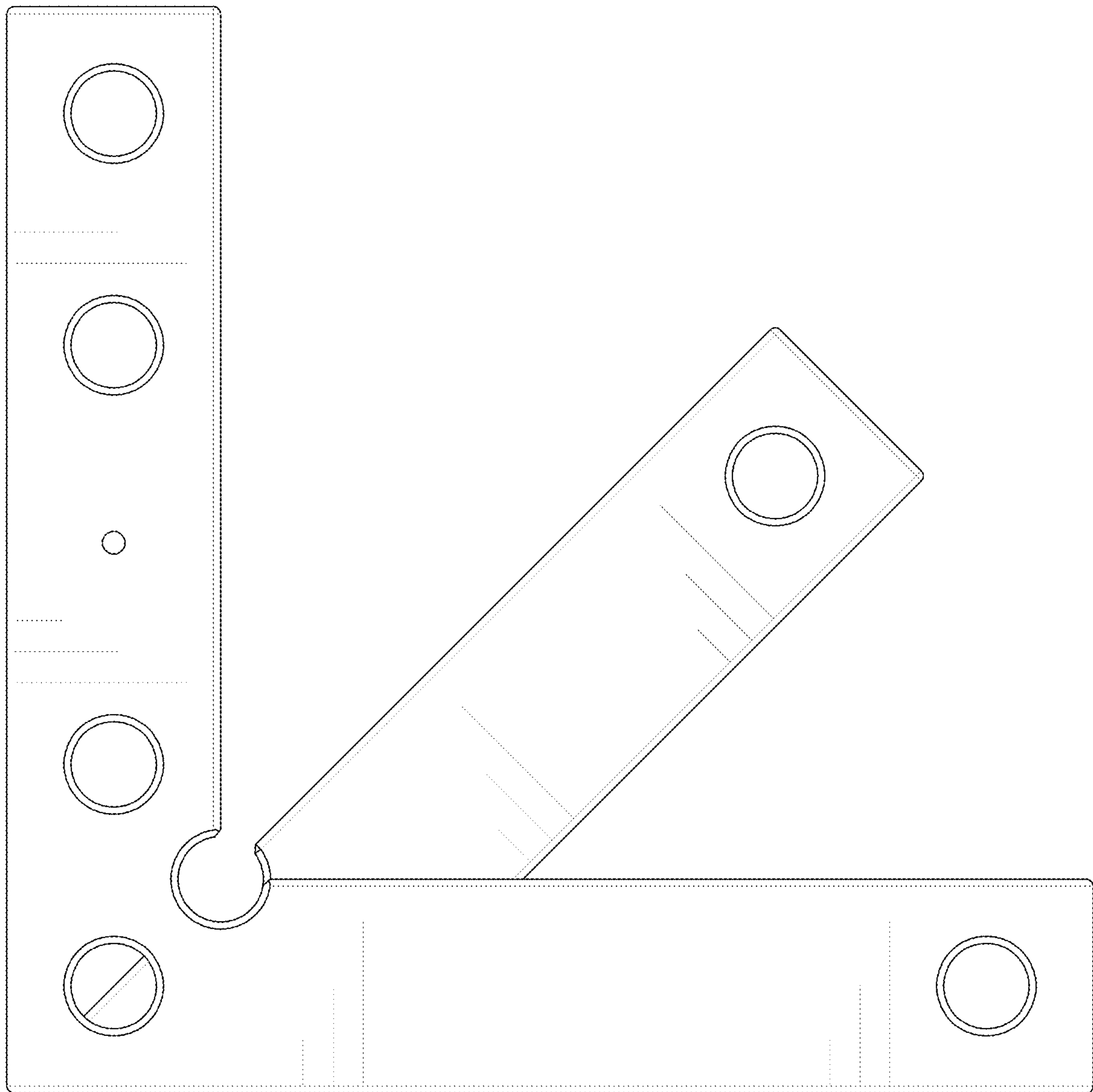


**FIG. 2**

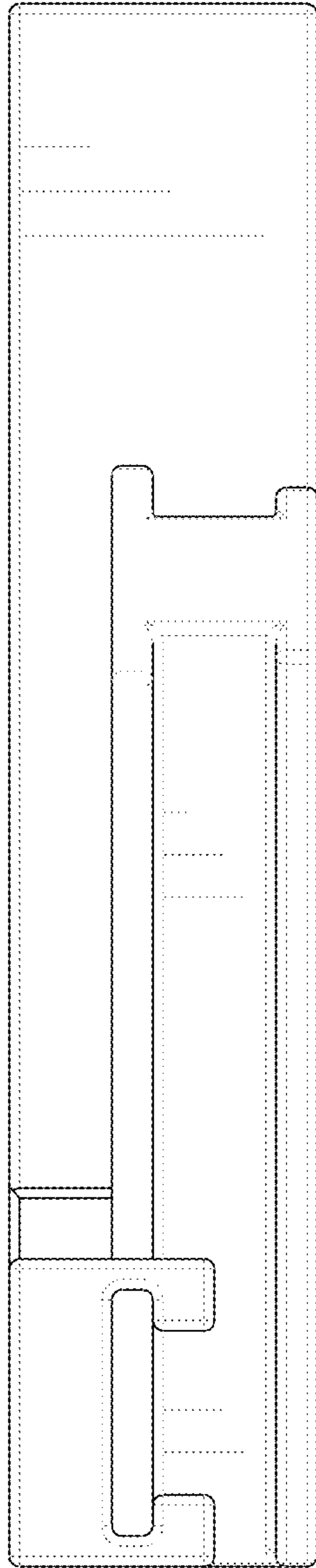




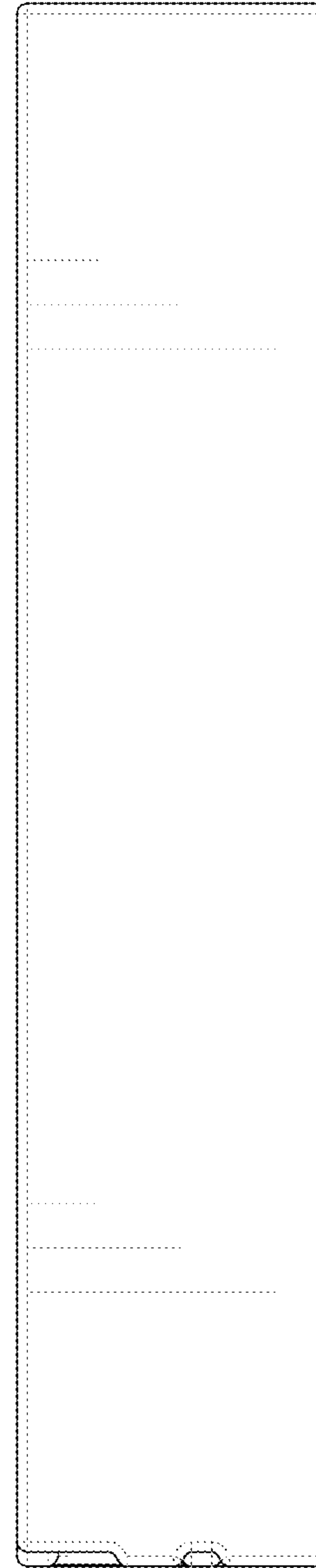
**FIG. 3**



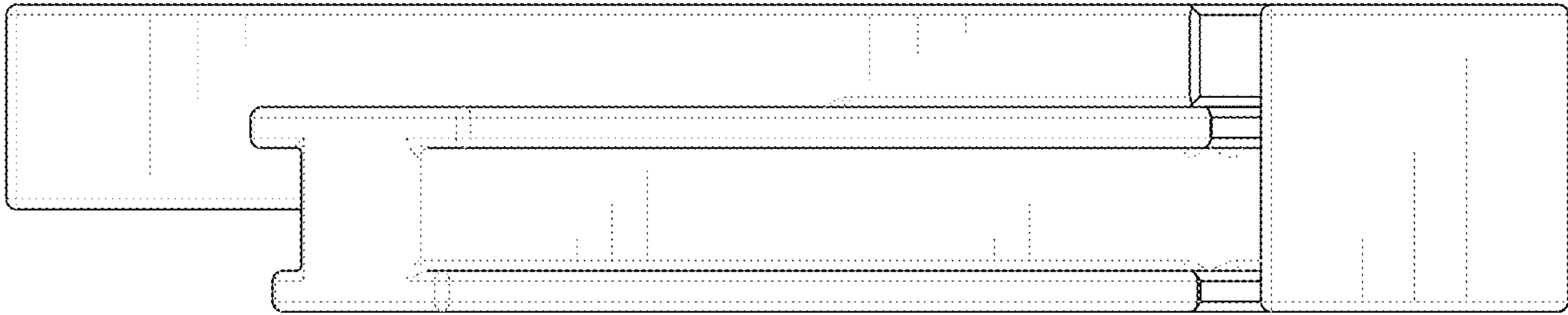
**FIG. 4**



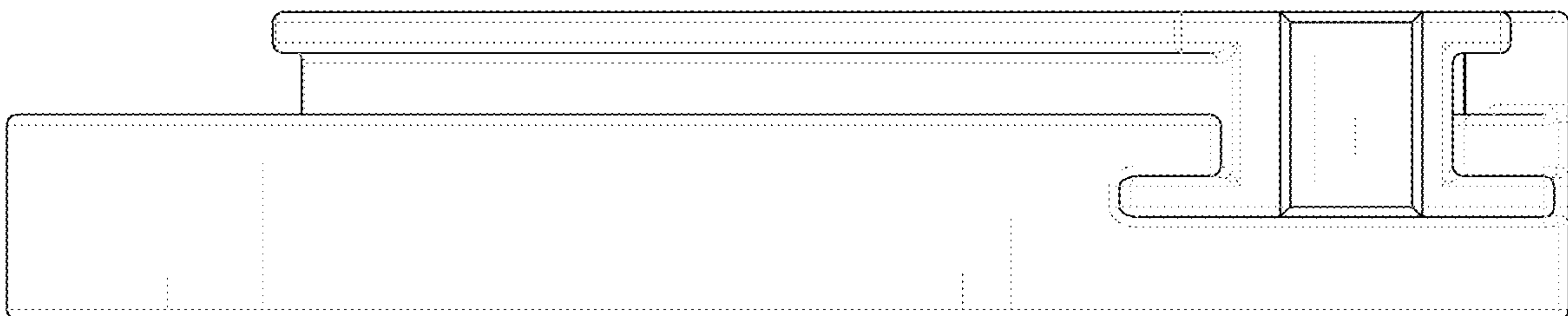
**FIG. 5**



**FIG. 6**

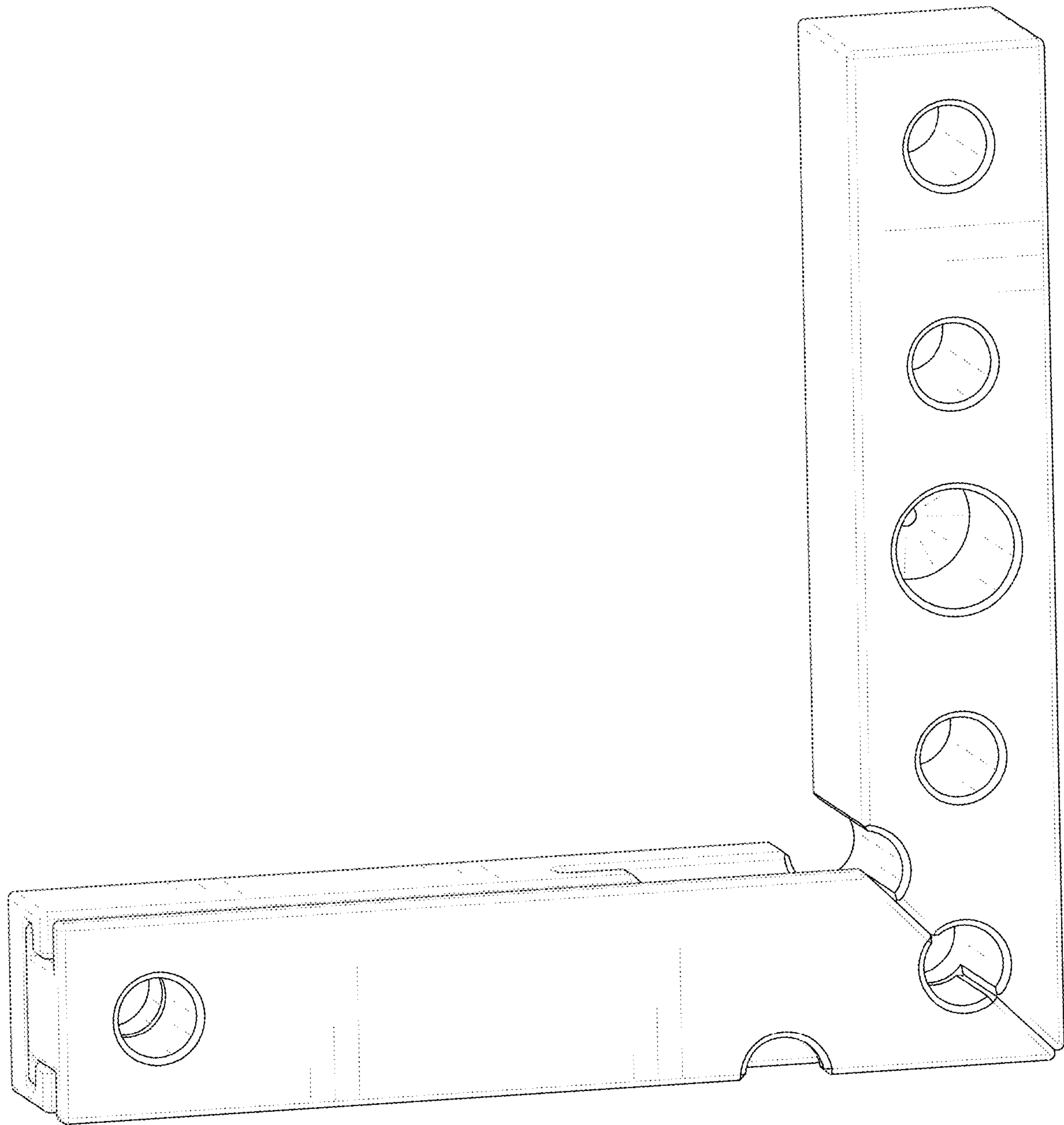


**FIG. 7**

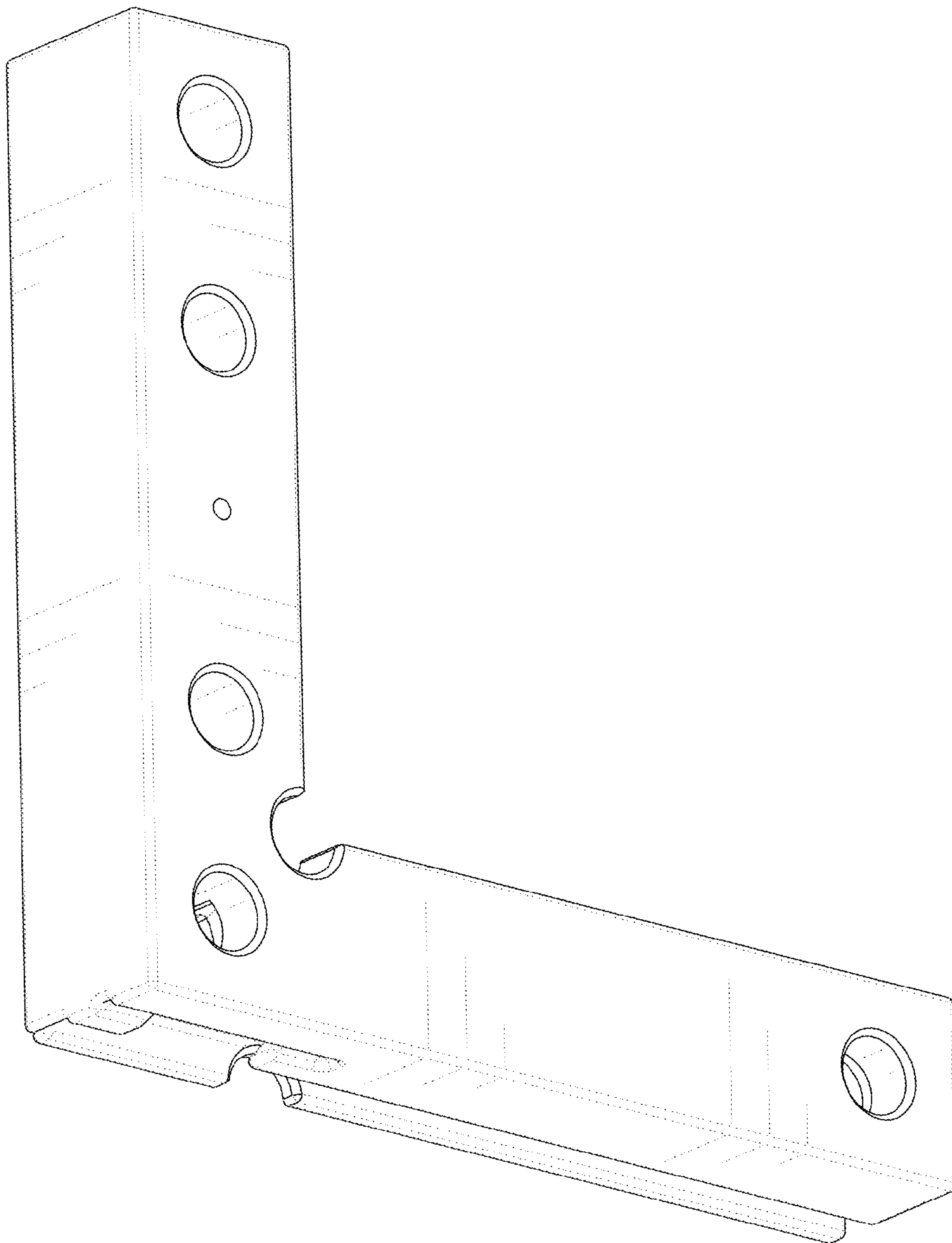


**FIG. 8**

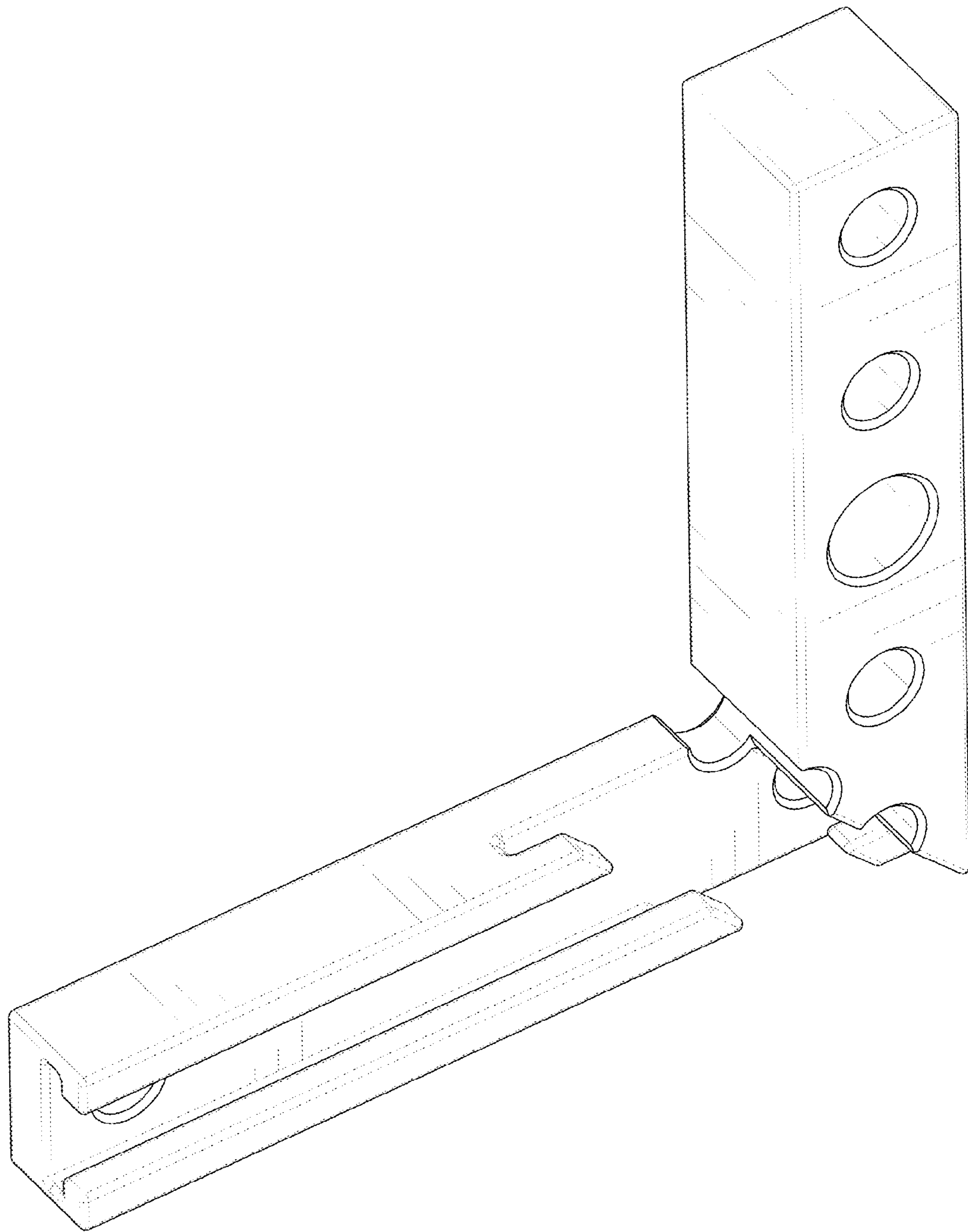




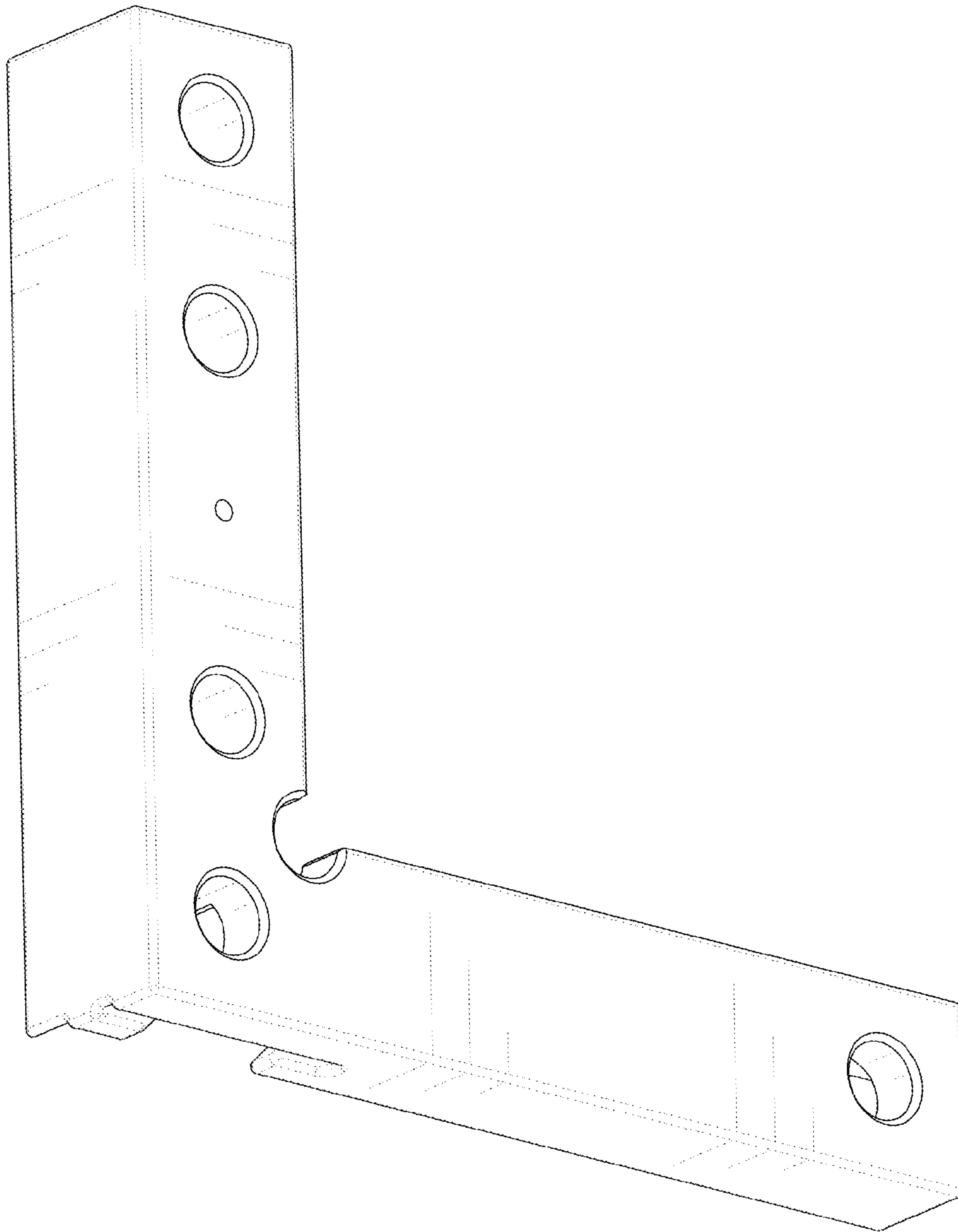
**FIG. 9**



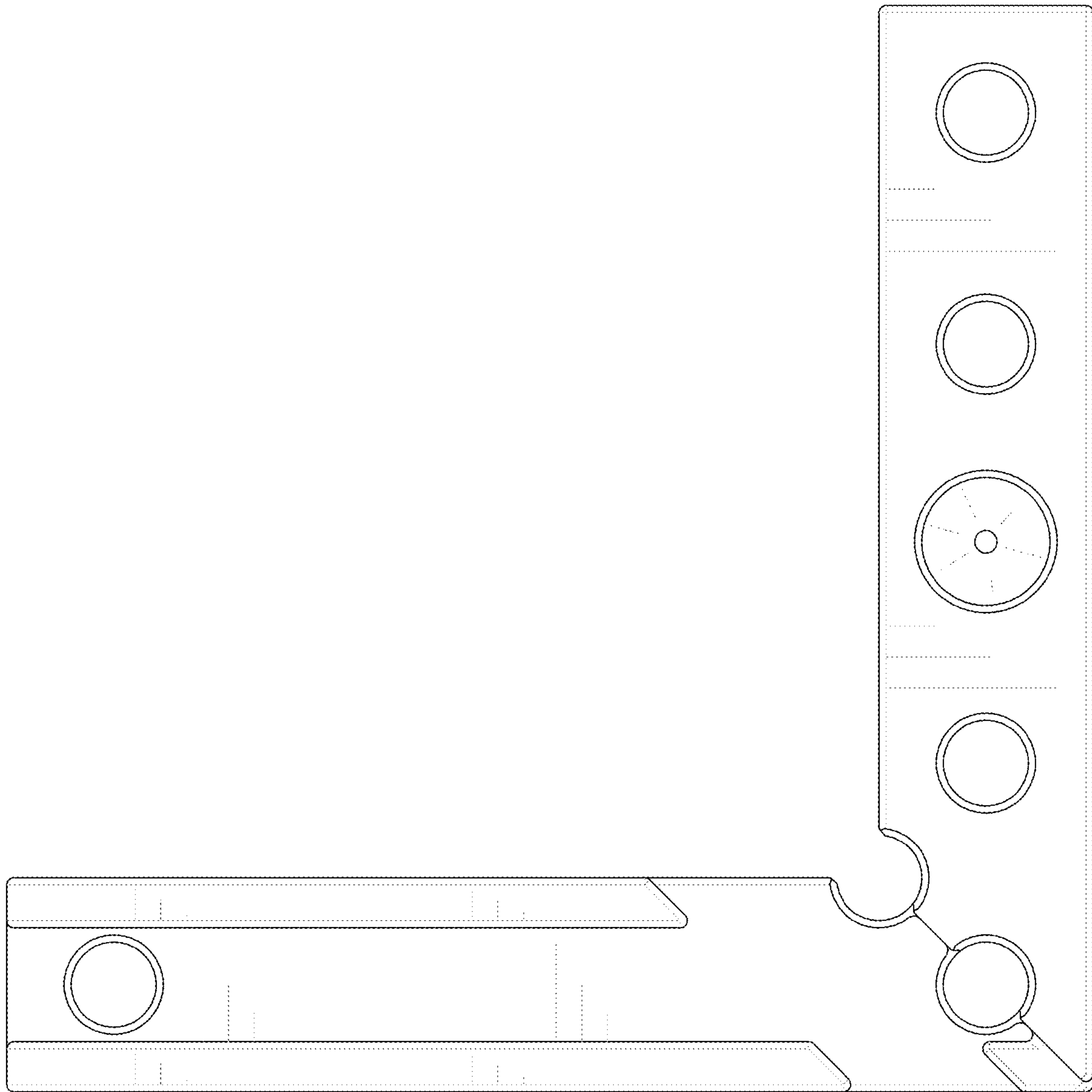
**FIG. 10**



**FIG. 11**

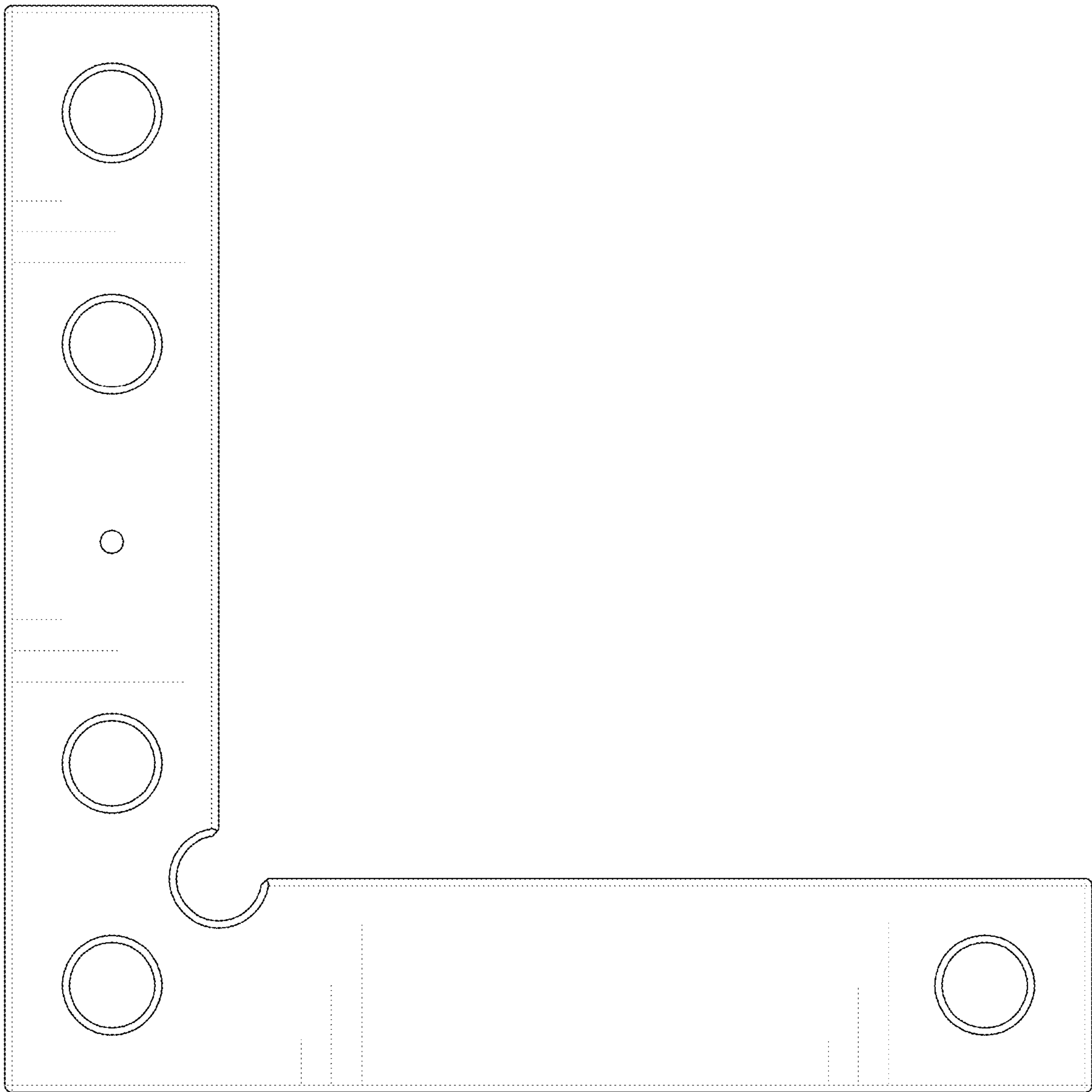


**FIG. 12**

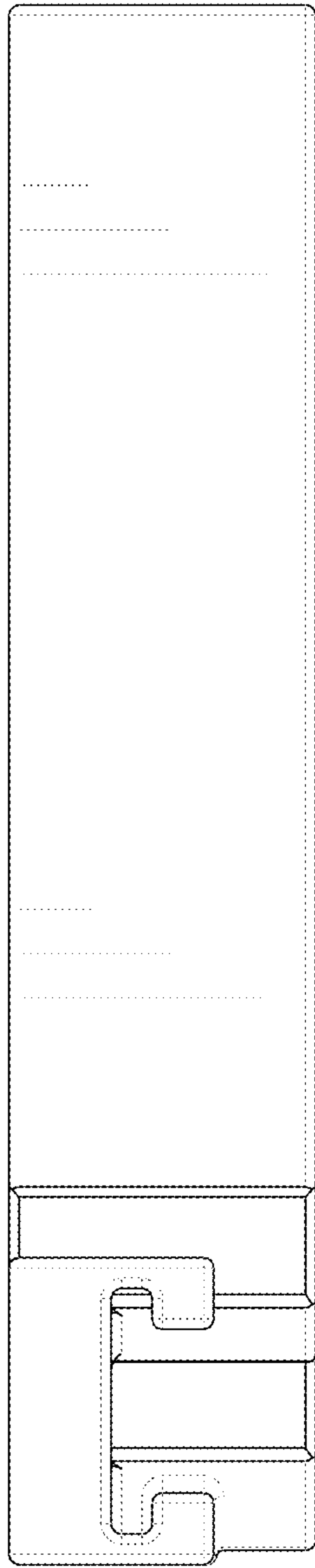


**FIG. 13**

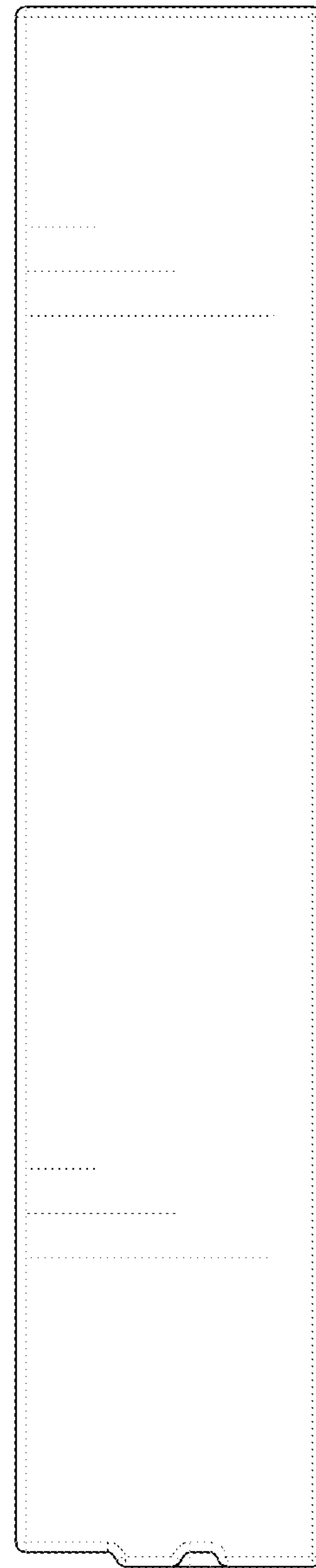




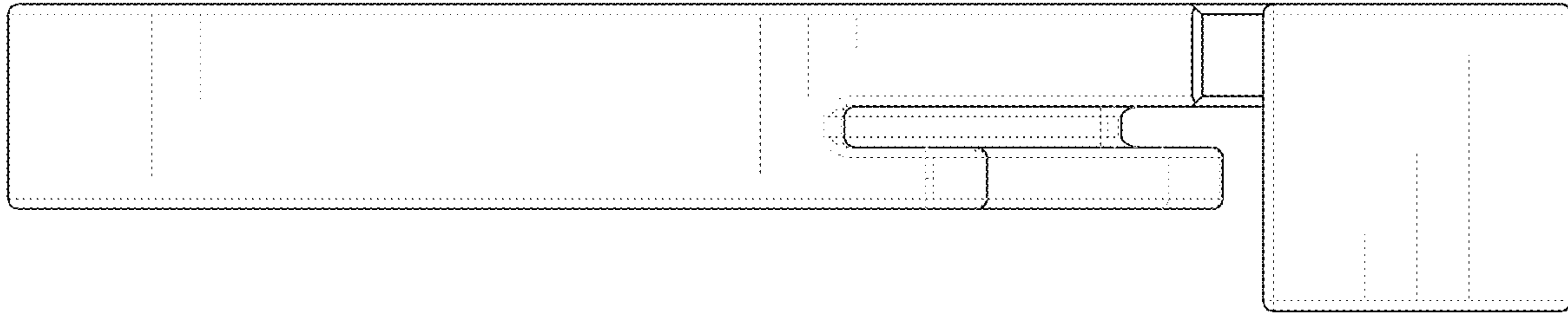
**FIG. 14**



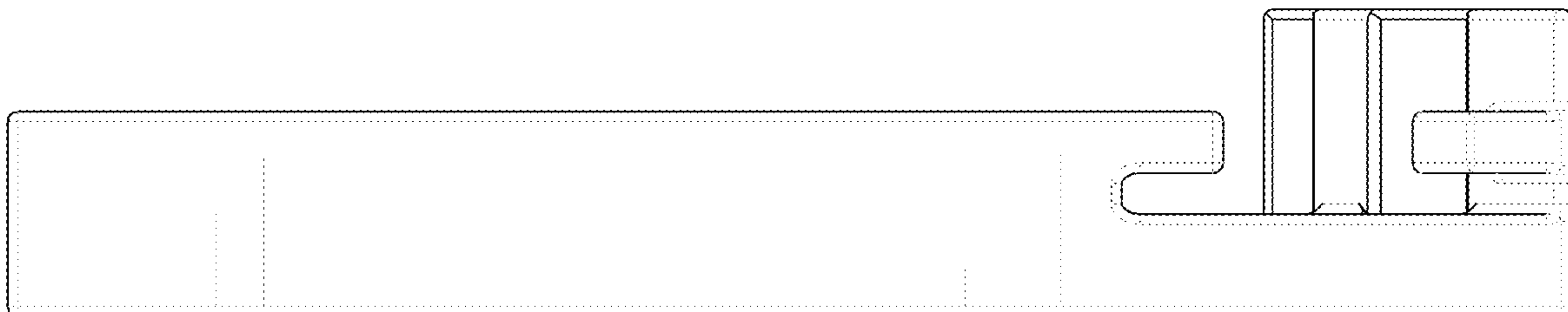
**FIG. 15**



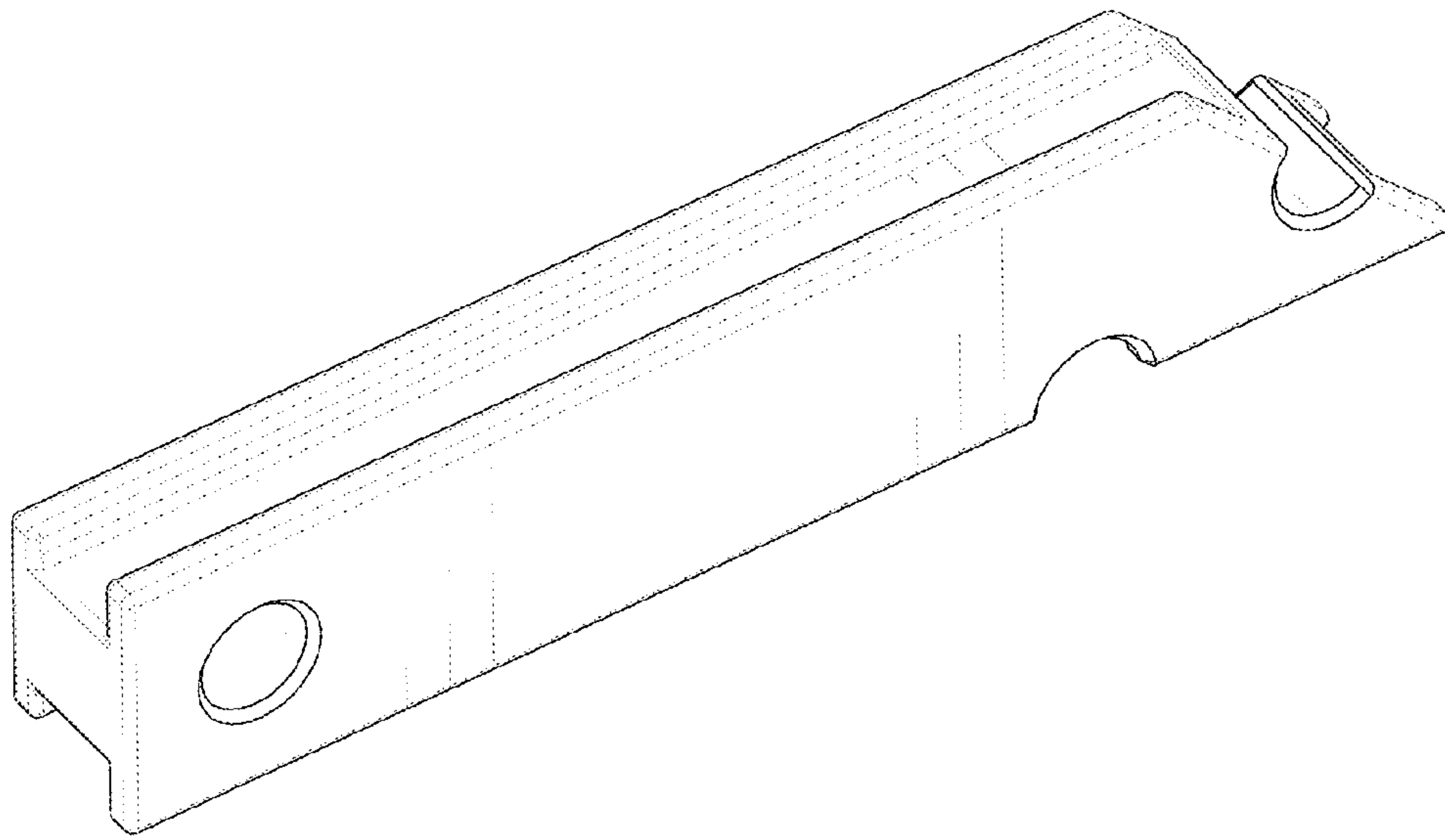
**FIG. 16**



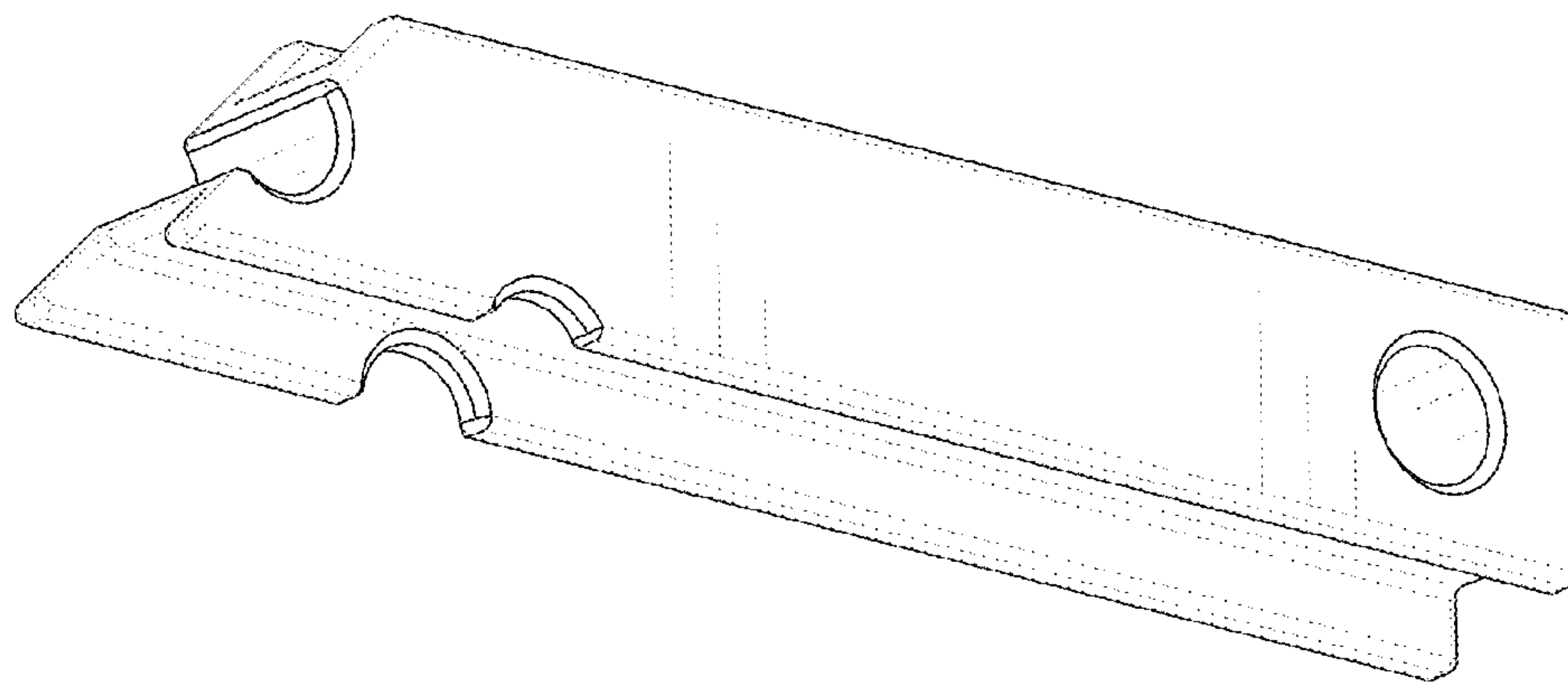
**FIG. 17**



**FIG. 18**



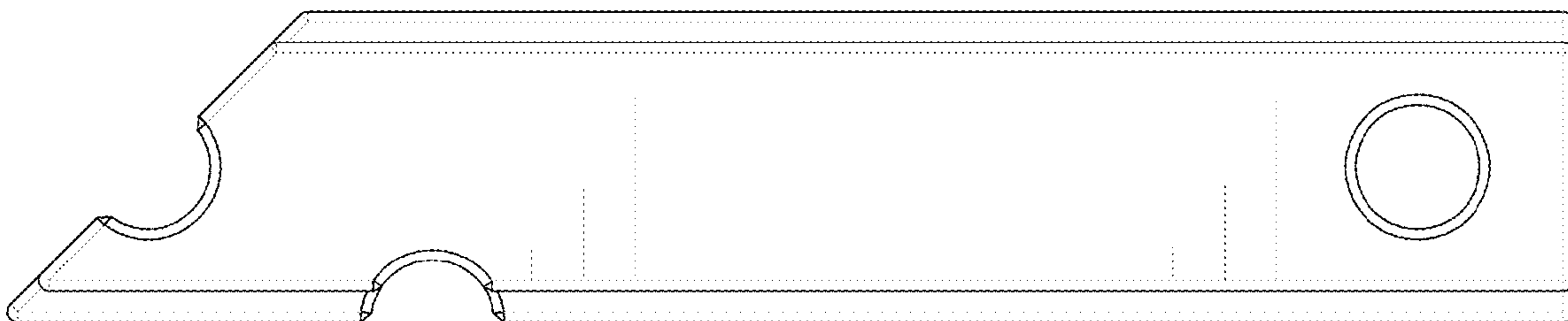
**FIG. 19**



**FIG. 20**

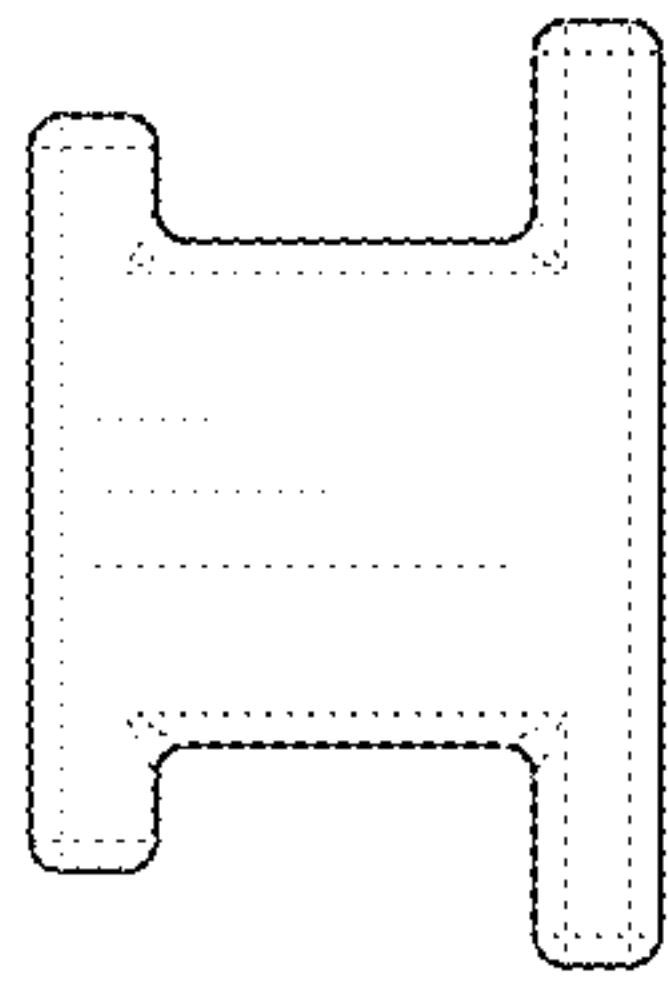


**FIG. 21**

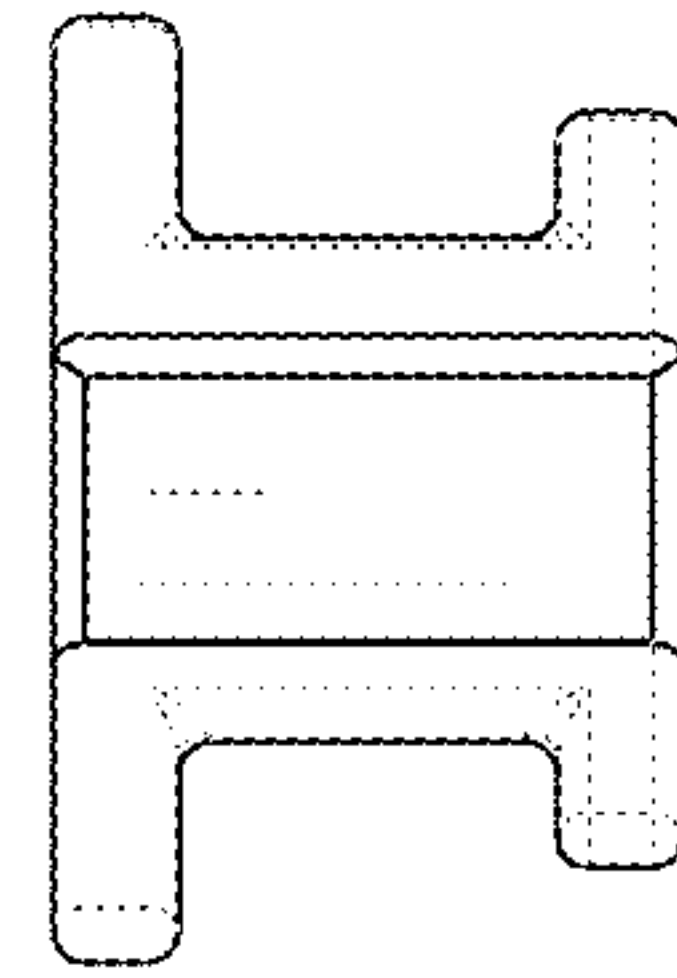


**FIG. 22**

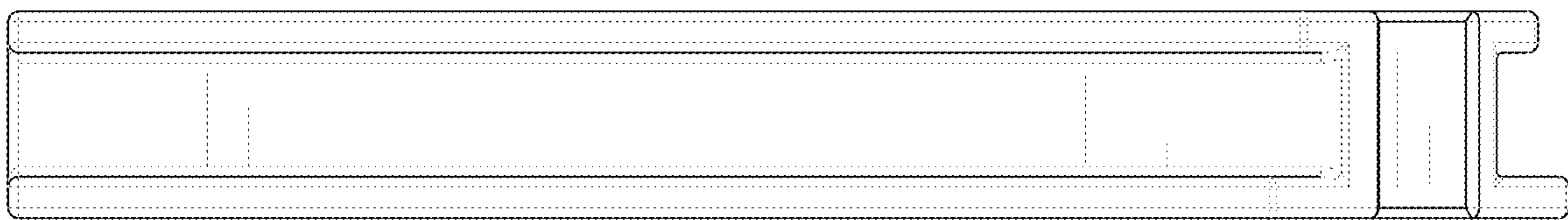




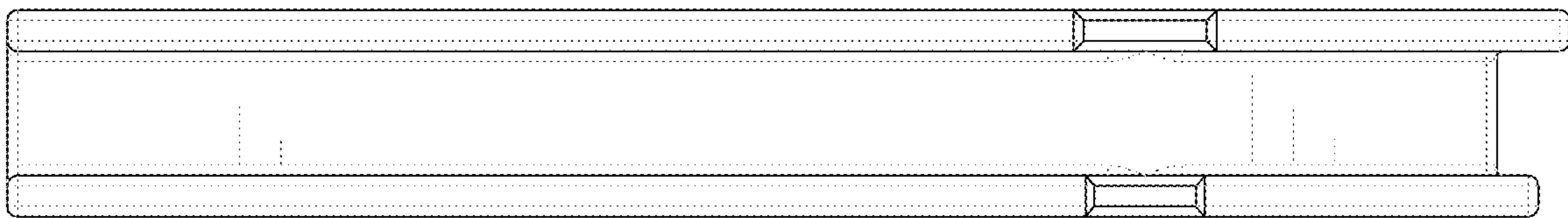
**FIG. 23**



**FIG. 24**



**FIG. 25**



**FIG. 26**