



US00D984290S

(12) **United States Design Patent** (10) **Patent No.:** **US D984,290 S**
Nishiuchi et al. (45) **Date of Patent:** **** Apr. 25, 2023**

(54) **SAFETY LASER SCANNER**

(74) *Attorney, Agent, or Firm* — Capitol City TechLaw

(71) Applicant: **OMRON Corporation**, Kyoto (JP)

(57) **CLAIM**

The ornamental design for a safety laser scanner, as shown and described.

(72) Inventors: **Satoshi Nishiuchi**, Takatsuki (JP);
Heita Nada, Ritto (JP); **Masami Nishida**, Osaka (JP); **Boris Shteynberg**,
San Francisco, CA (US)

DESCRIPTION

(73) Assignee: **OMRON Corporation**, Kyoto (JP)

The file of this patent contains a least one drawing executed in color. Copies of this patent with color drawings will be provided by the United States Patent and Trademark Office upon request and payment of the necessary fee.

(**) Term: **15 Years**

FIG. 1 is a bottom, front, and left side perspective view of a safety laser scanner, showing our new design;

(21) Appl. No.: **29/787,524**

FIG. 2 is a bottom, front, and right side perspective view thereof;

(22) Filed: **Jun. 7, 2021**

FIG. 3 is a bottom, rear, and left side perspective view thereof;

(30) **Foreign Application Priority Data**

FIG. 4 is a bottom, rear, and right side perspective view thereof;

Jan. 26, 2021 (JP) 2021-001623 D

FIG. 5 is a front view thereof;

(51) **LOC (14) Cl.** **10-04**

FIG. 6 is a rear view thereof;

(52) **U.S. Cl.**

USPC **D10/69**

FIG. 7 is a left side view thereof;

(58) **Field of Classification Search**

USPC D10/69

FIG. 8 is a right side view thereof;

CPC .. G01C 15/002; G01C 15/004; G01C 15/006;
G01C 15/008; G01C 15/02

FIG. 9 is a bottom, front, and left side perspective view thereof in an alternate illuminated state;

See application file for complete search history.

FIG. 10 is a bottom, rear, and left side perspective view thereof in an alternate illuminated state;

(56) **References Cited**

FIG. 11 is a front view thereof in an alternate illuminated state;

U.S. PATENT DOCUMENTS

FIG. 12 is a left side view thereof in an alternate illuminated state;

D638,318 S * 5/2011 Riegl D10/69

FIG. 13 is a front view thereof in an unilluminated state;

D642,485 S * 8/2011 Riegl D10/69

FIG. 14 is a left side view thereof in an unilluminated state;

RE44,112 E * 4/2013 Riegl D10/66

and,

RE44,751 E * 2/2014 Riegl D10/69

FIG. 15 is a right side view thereof in an unilluminated state.

D712,759 S * 9/2014 Forsberg D10/70

The dashed broken lines in the figures show portions of the safety laser scanner that form no part of the claimed design.

D871,412 S * 12/2019 Aprile D14/420

* cited by examiner

1 Claim, 8 Drawing Sheets

(6 of 8 Drawing Sheet(s) Filed in Color)

Primary Examiner — Antoine Duval Davis

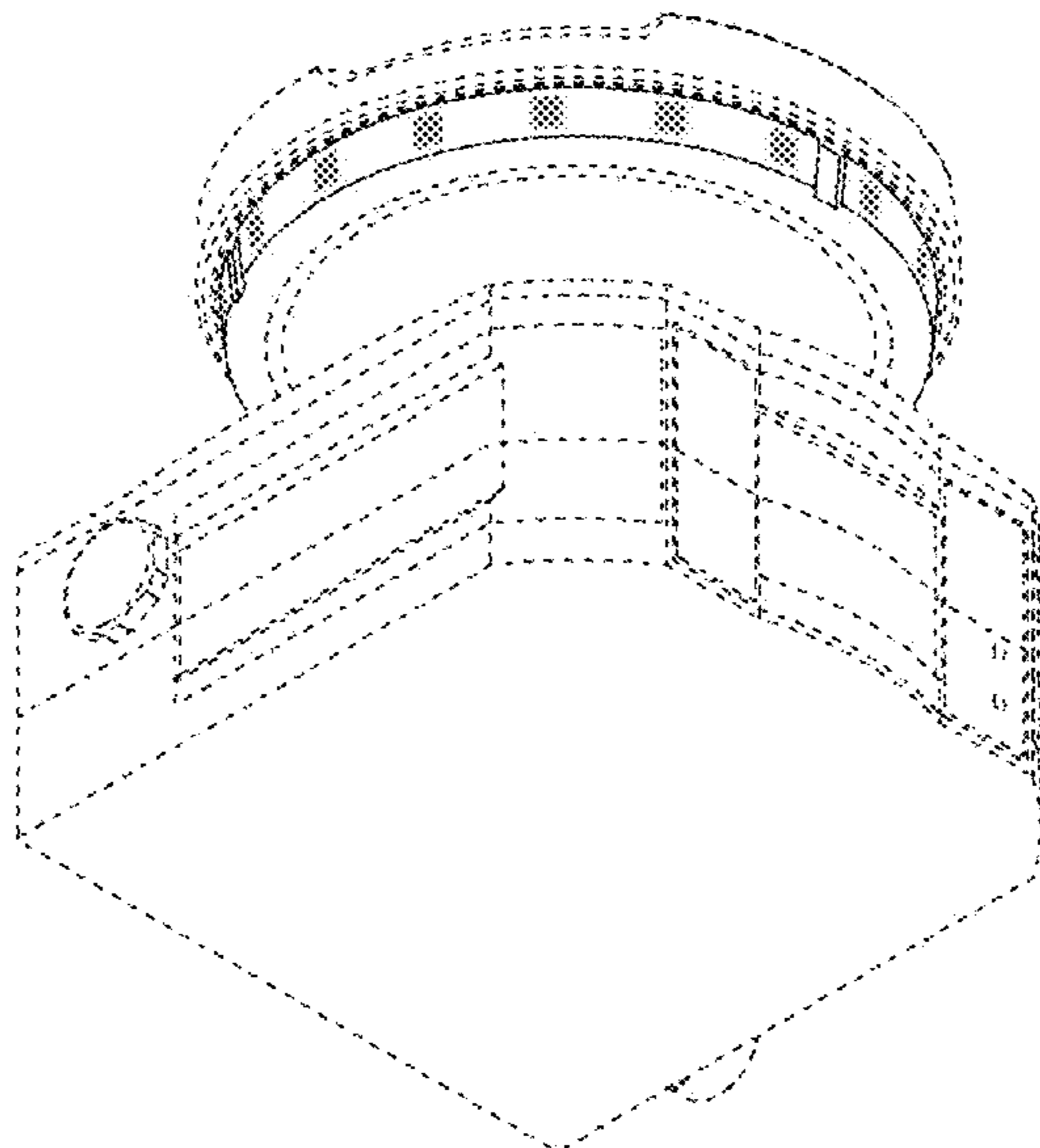


FIG. 1

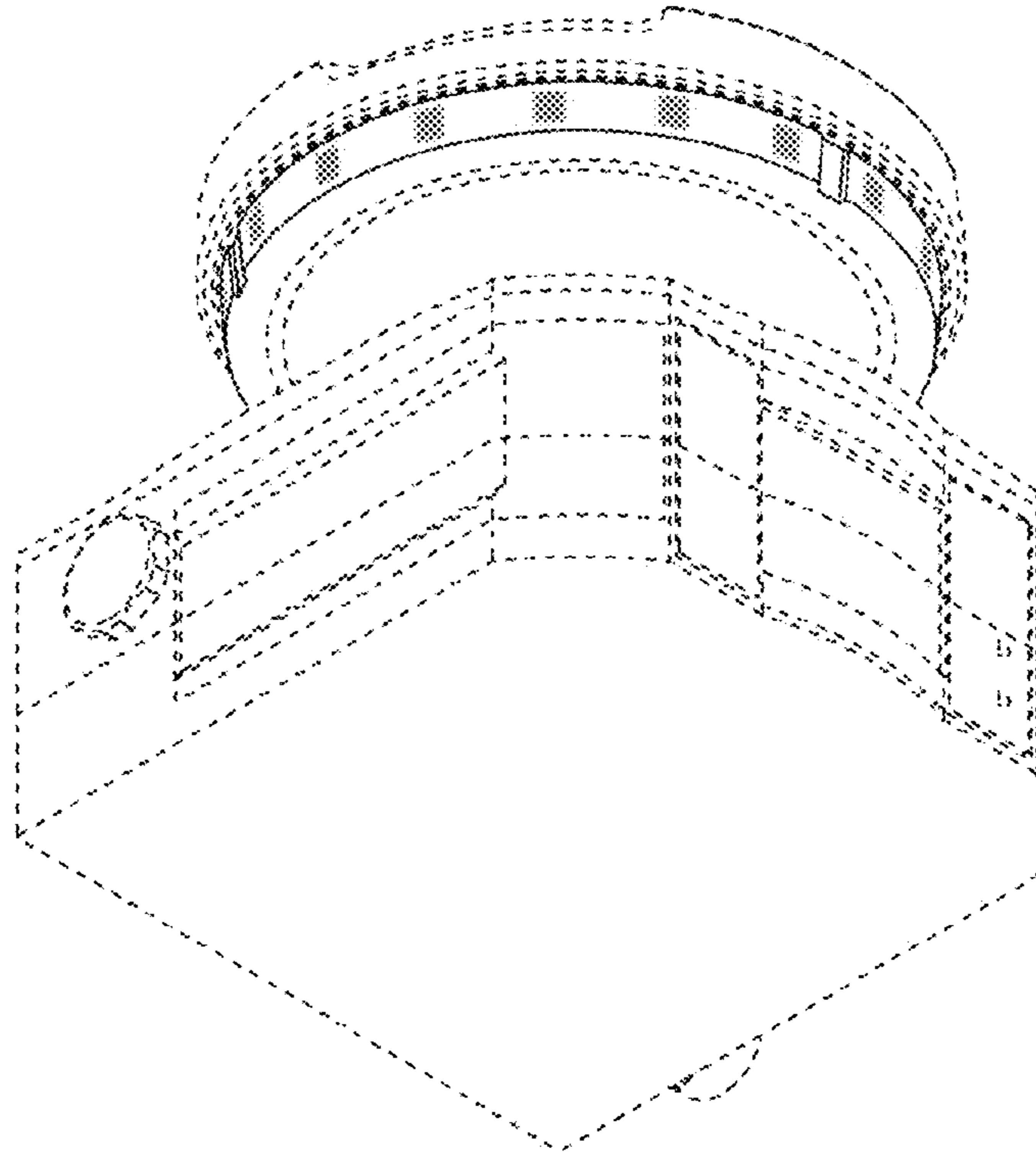


FIG. 2

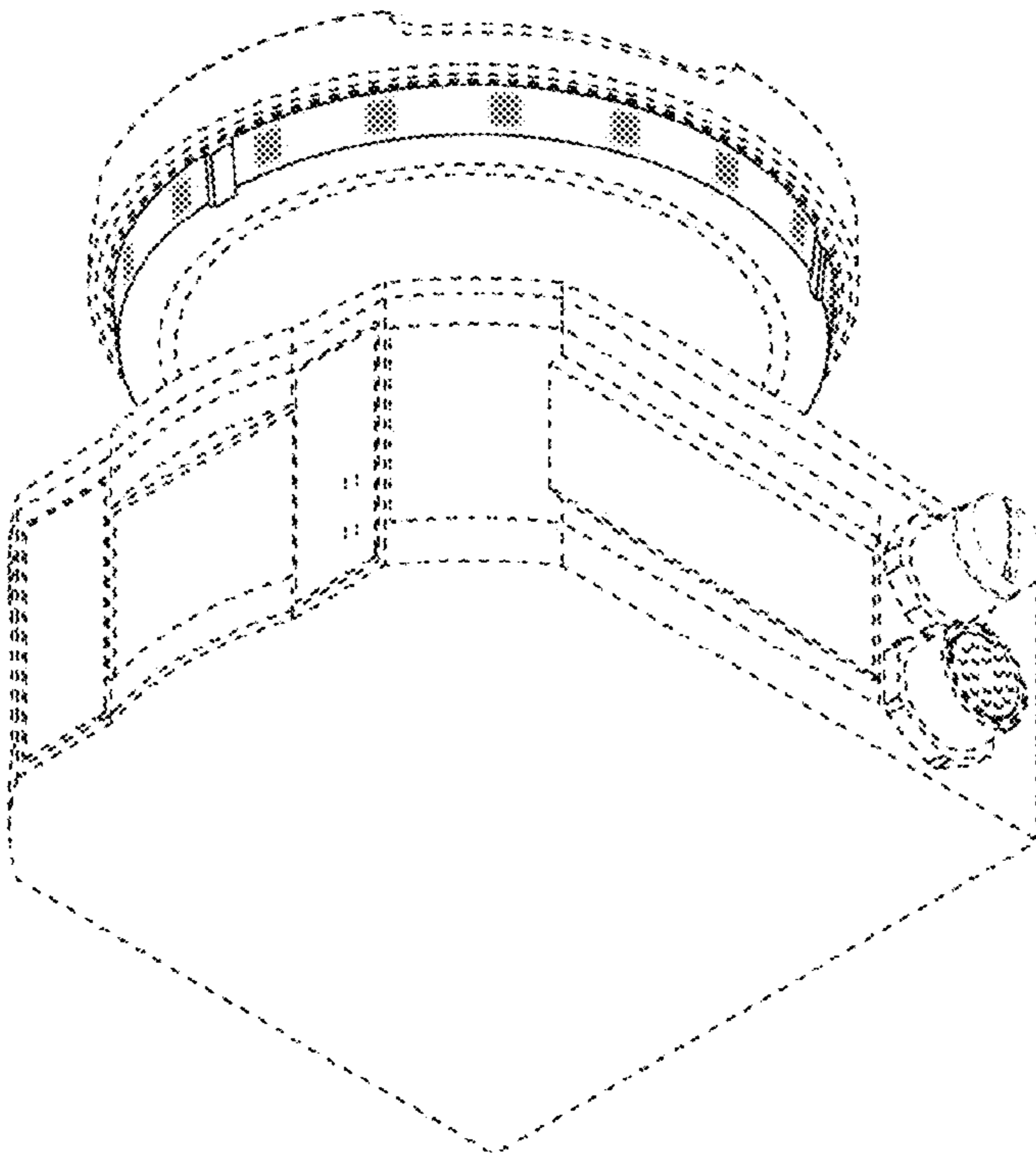


FIG. 3

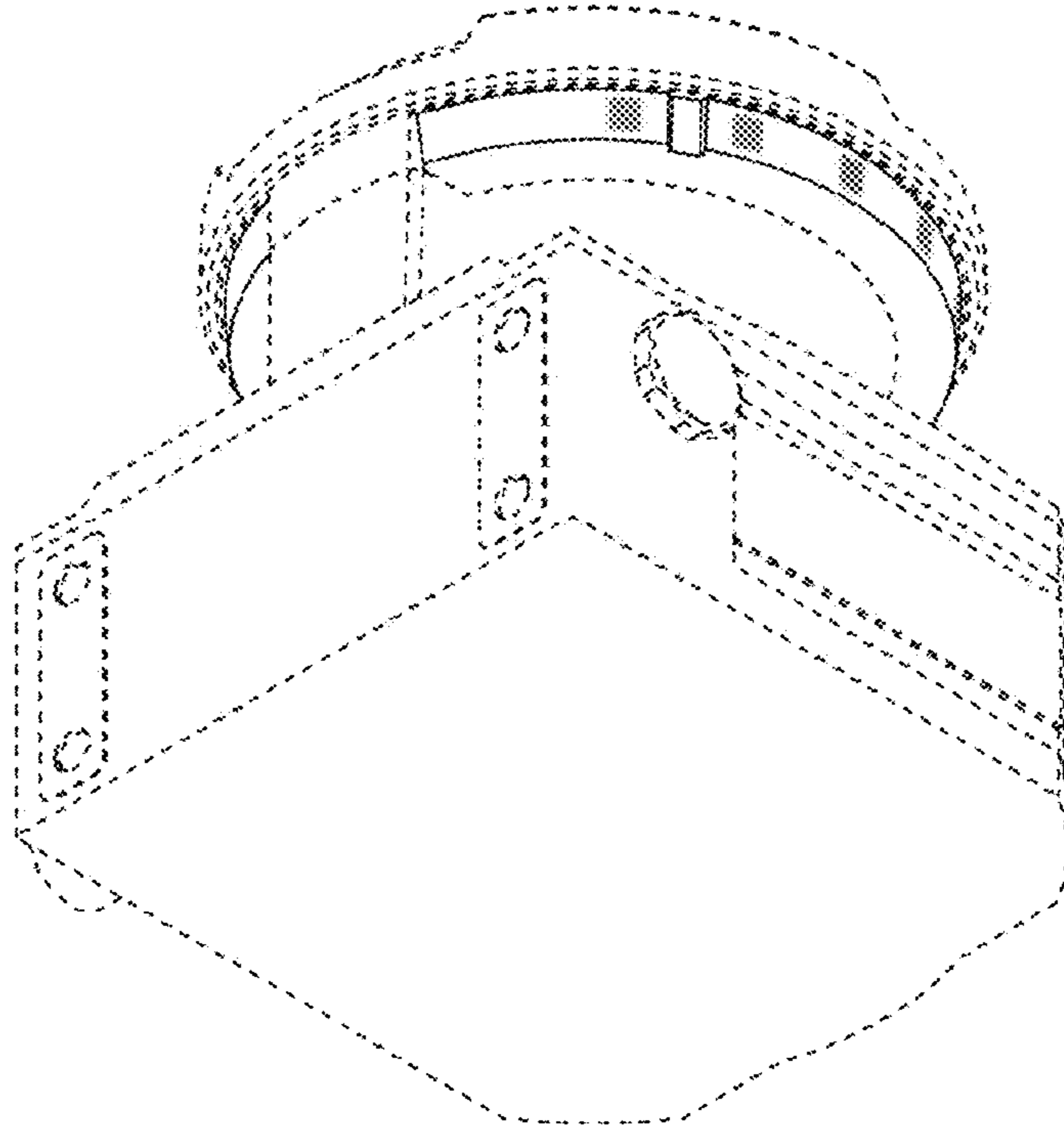


FIG. 4

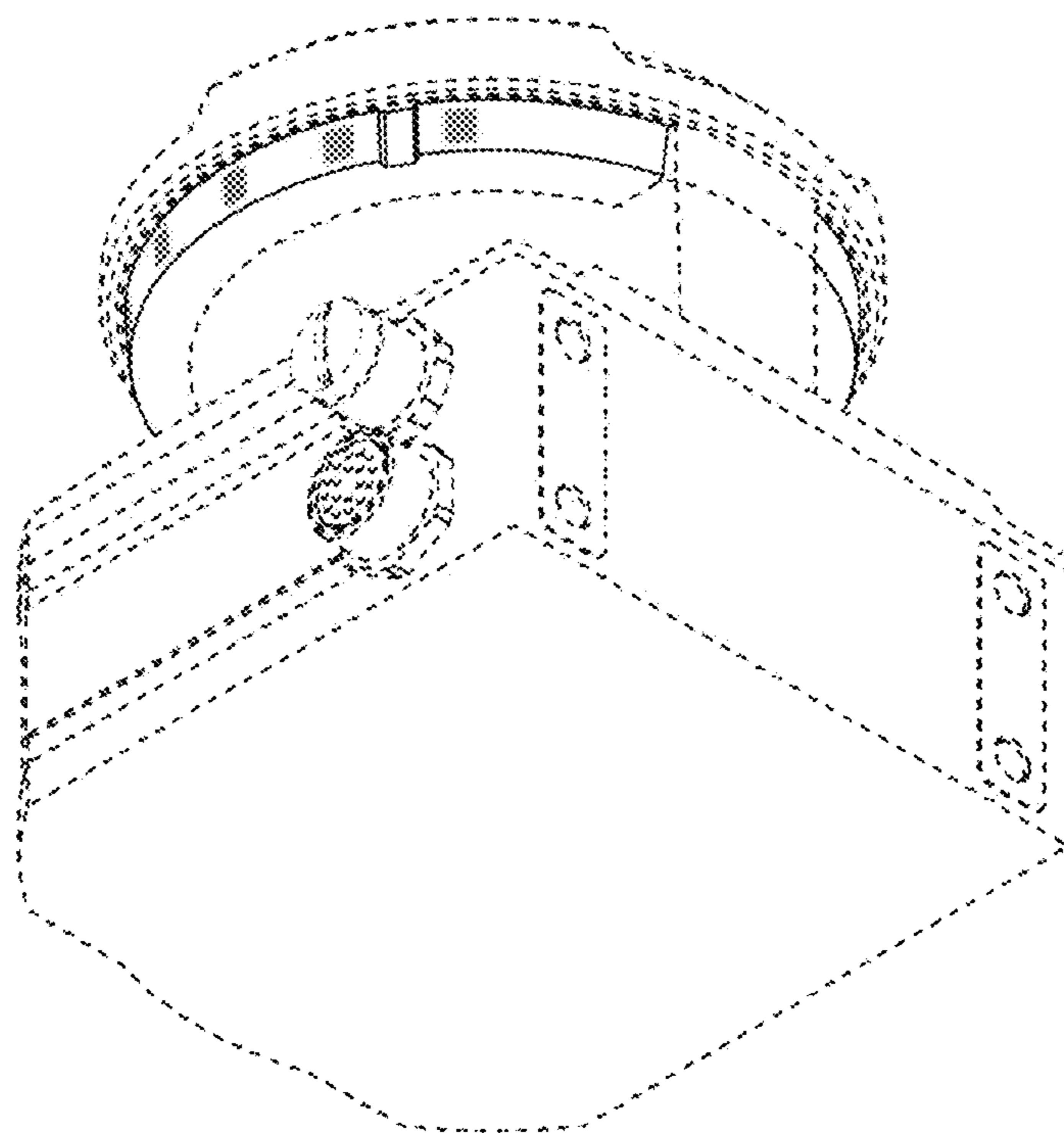


FIG. 5

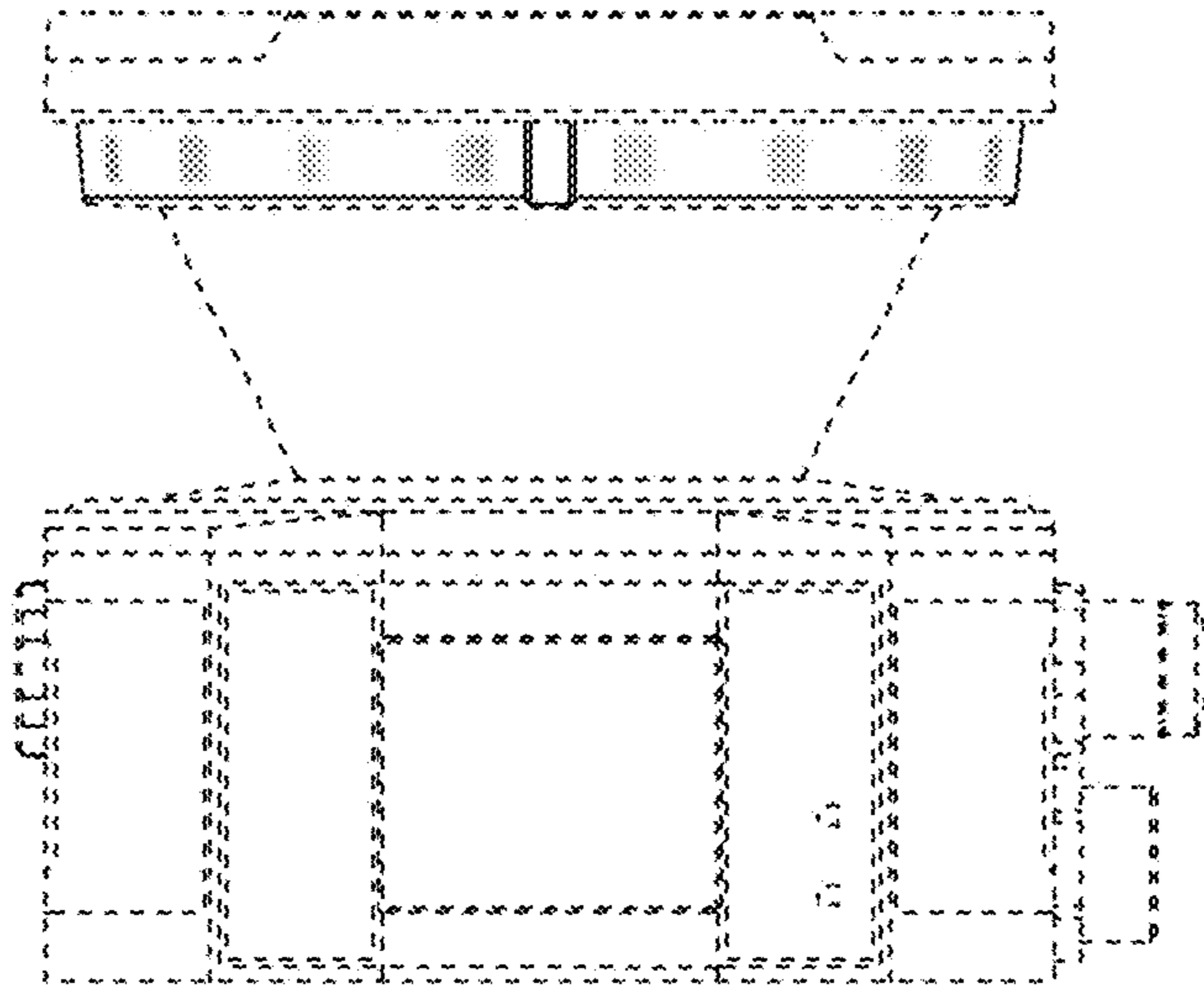


FIG. 6

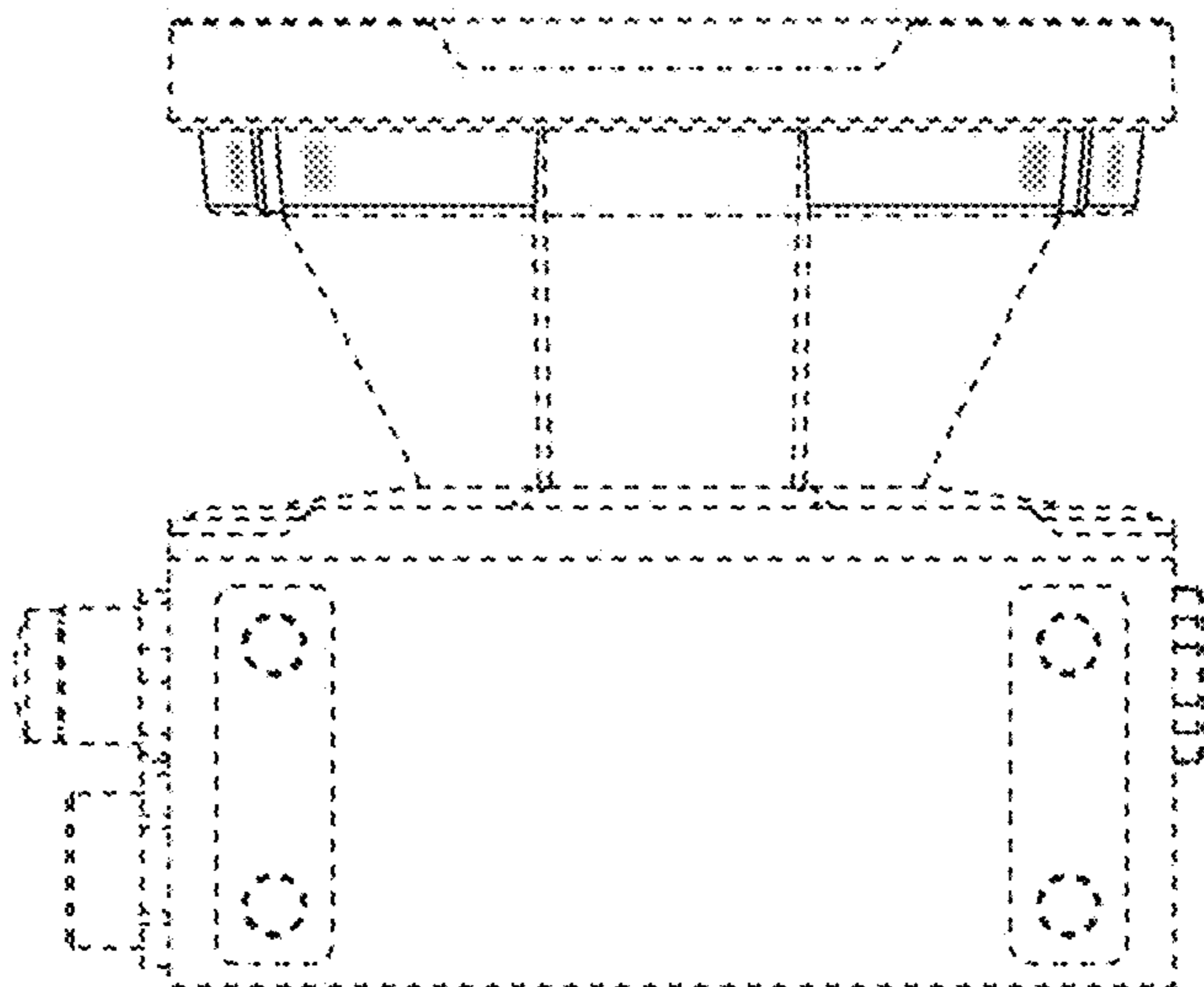


FIG. 7

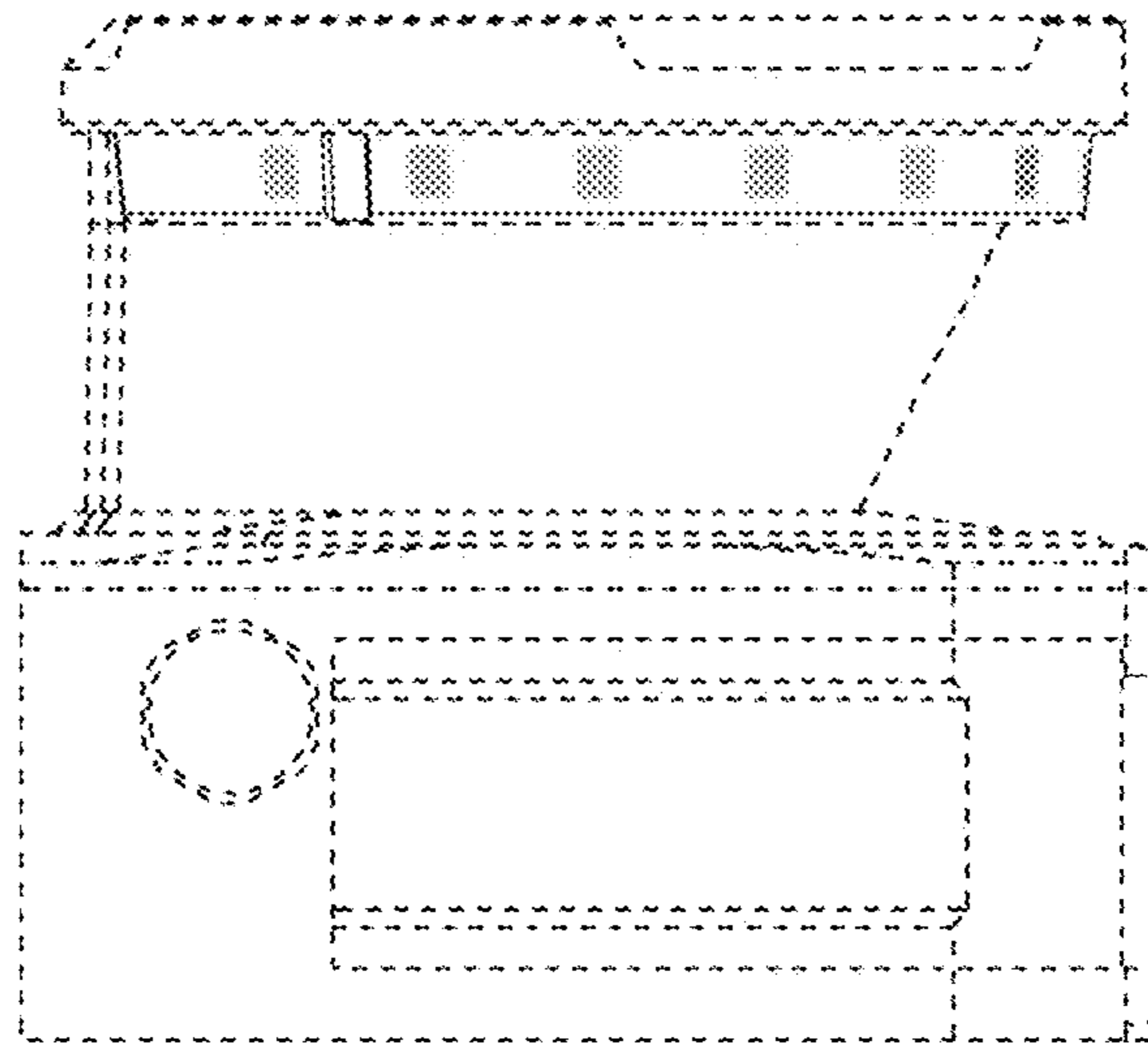


FIG. 8

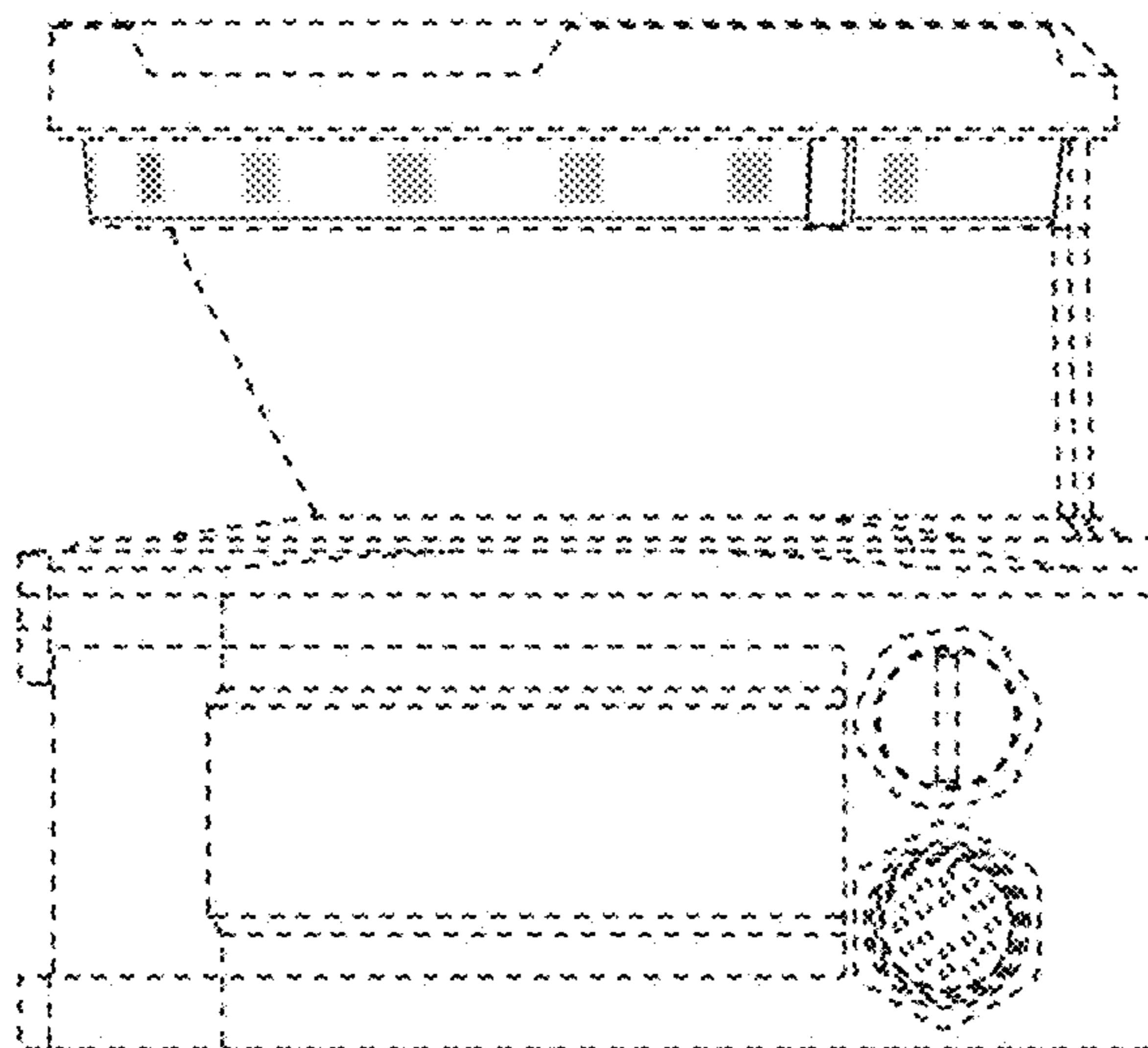


FIG. 9

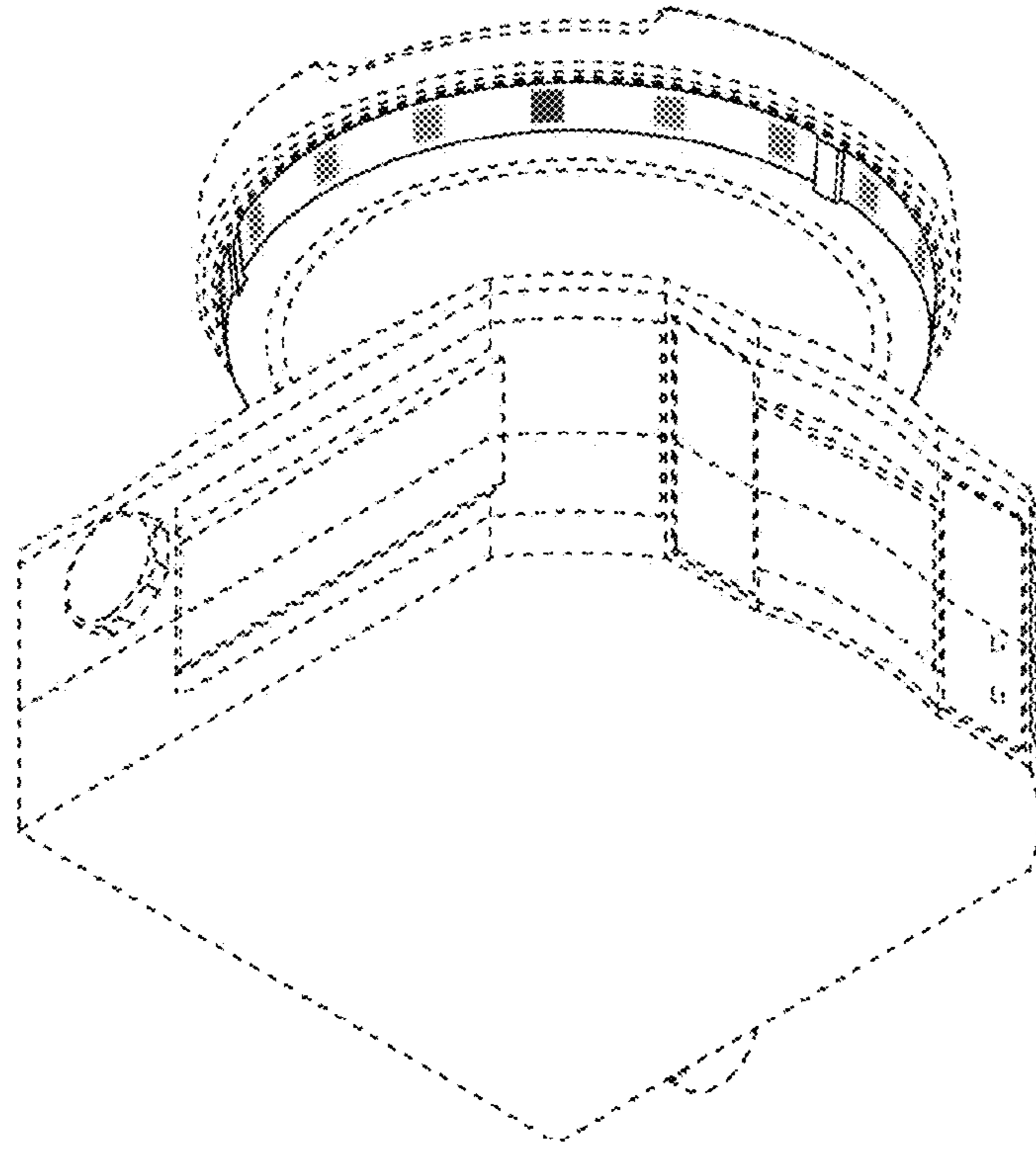


FIG. 10

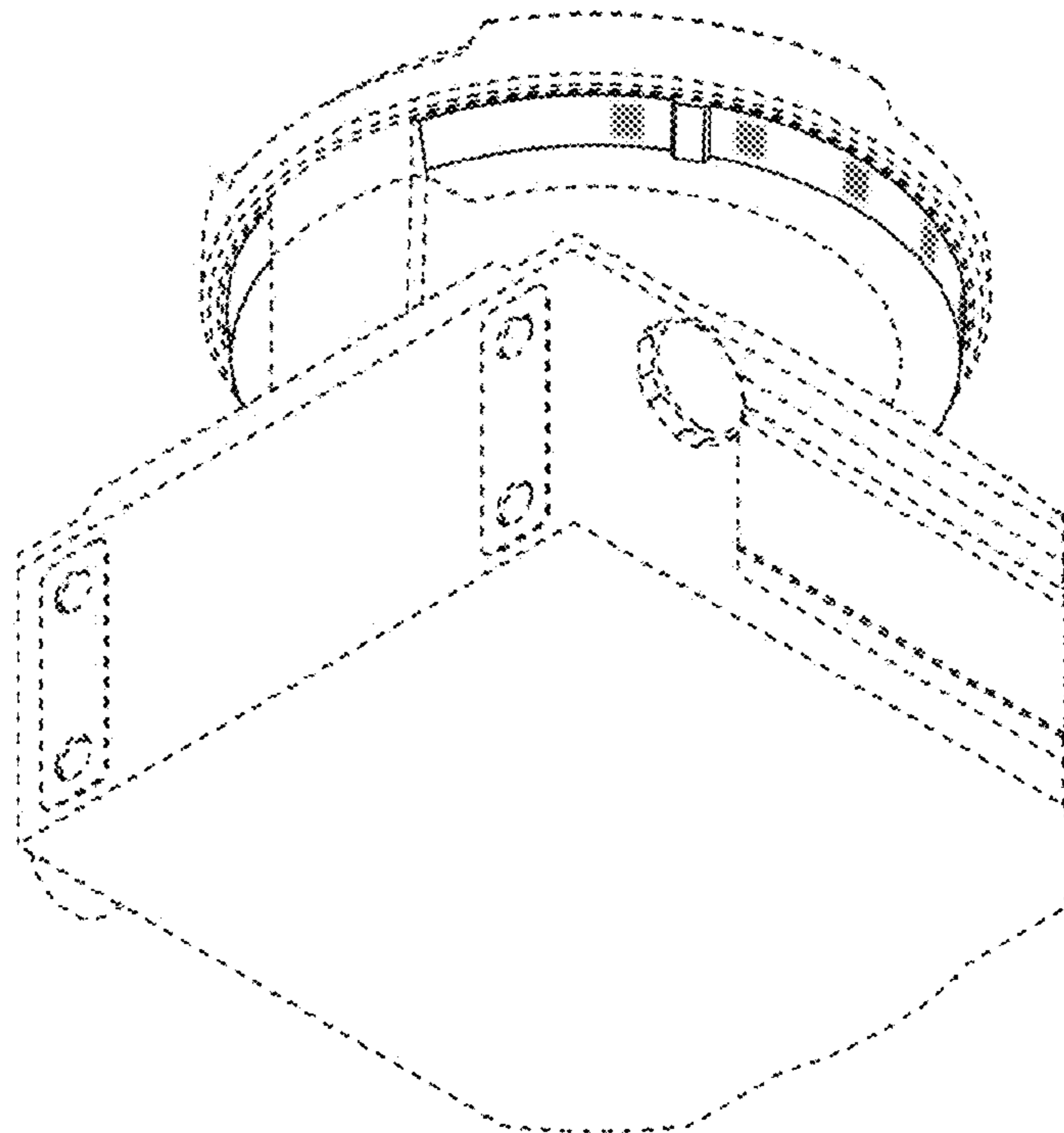


FIG. 11

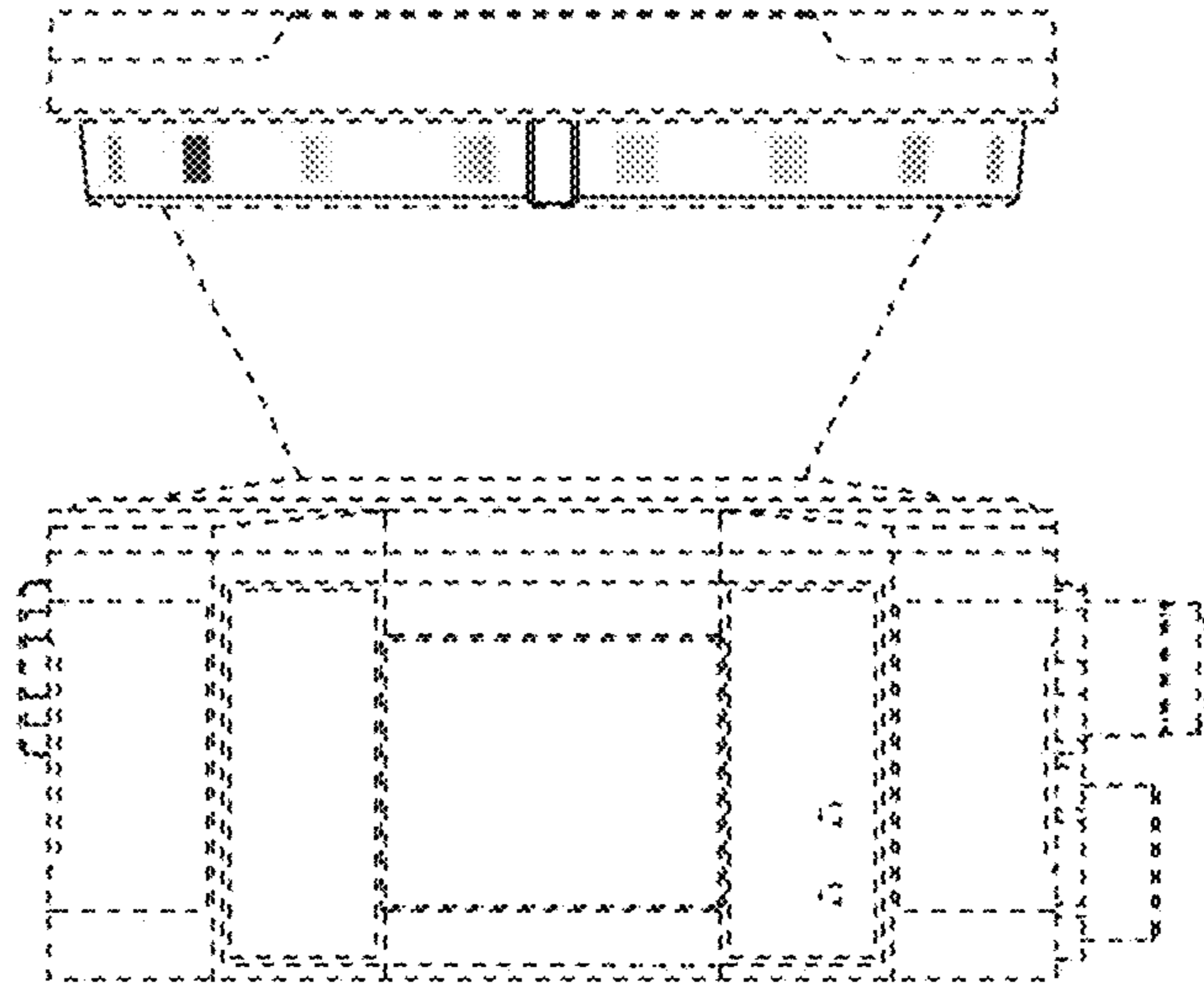


FIG. 12

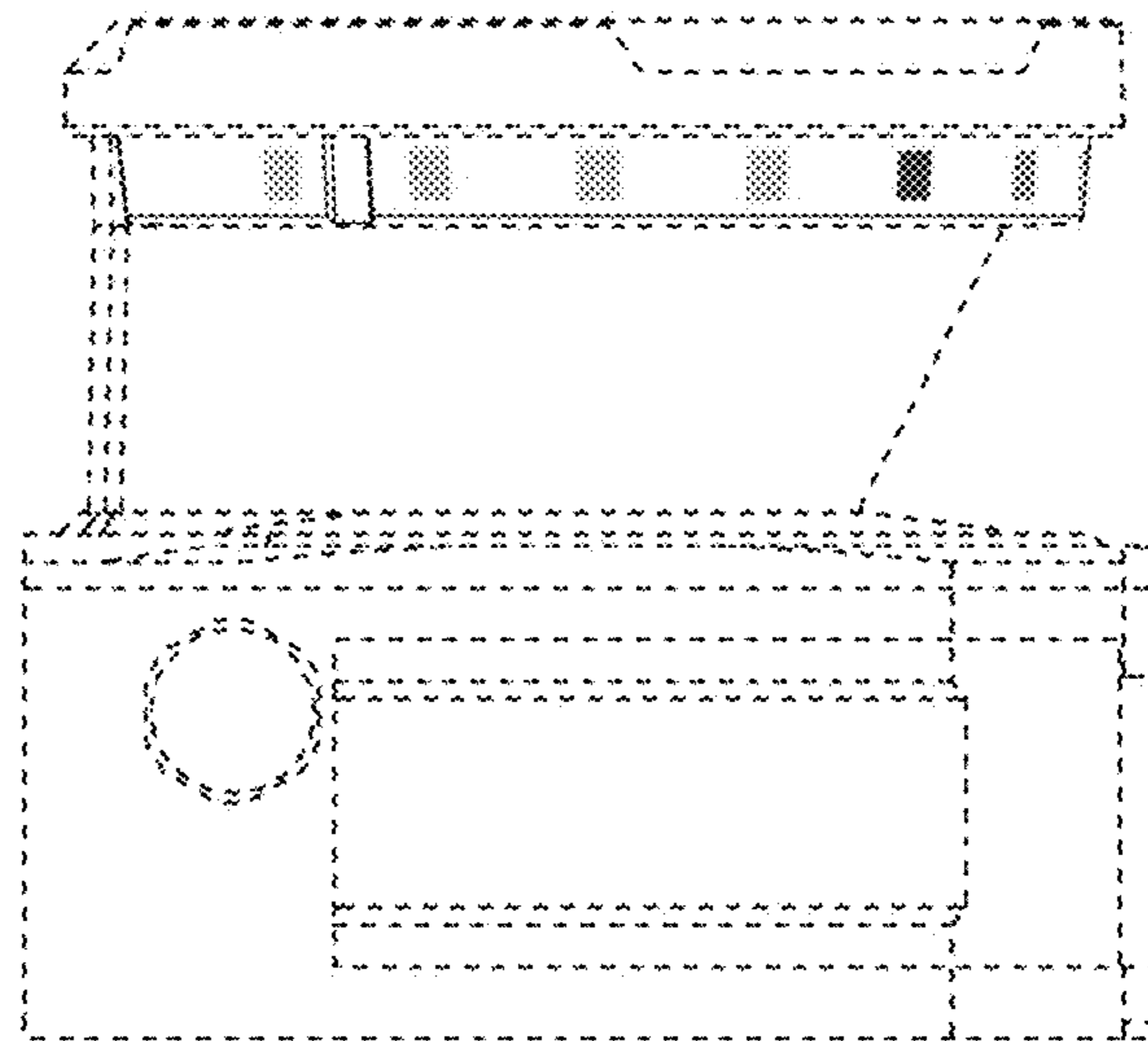


FIG. 13

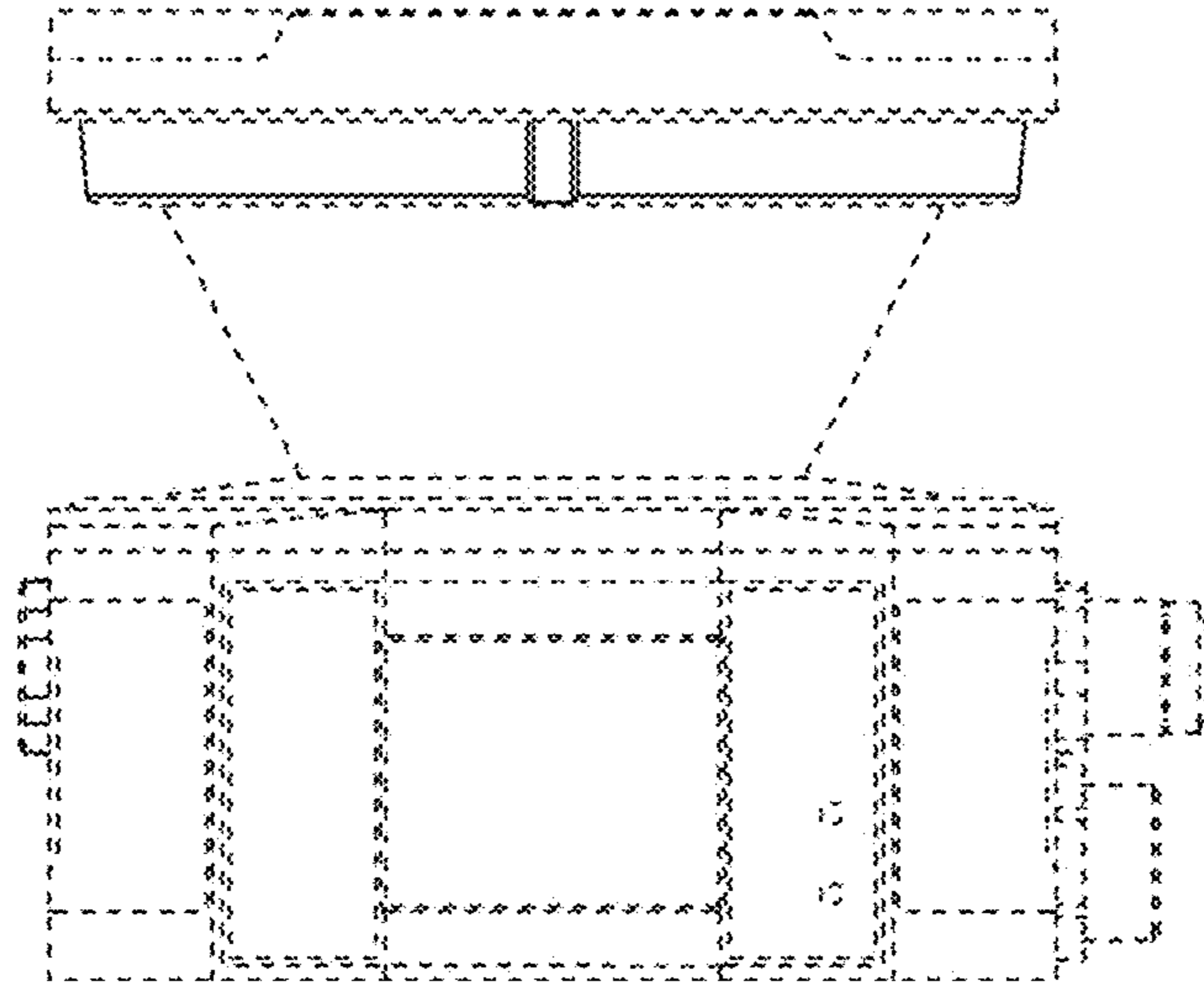


FIG. 14

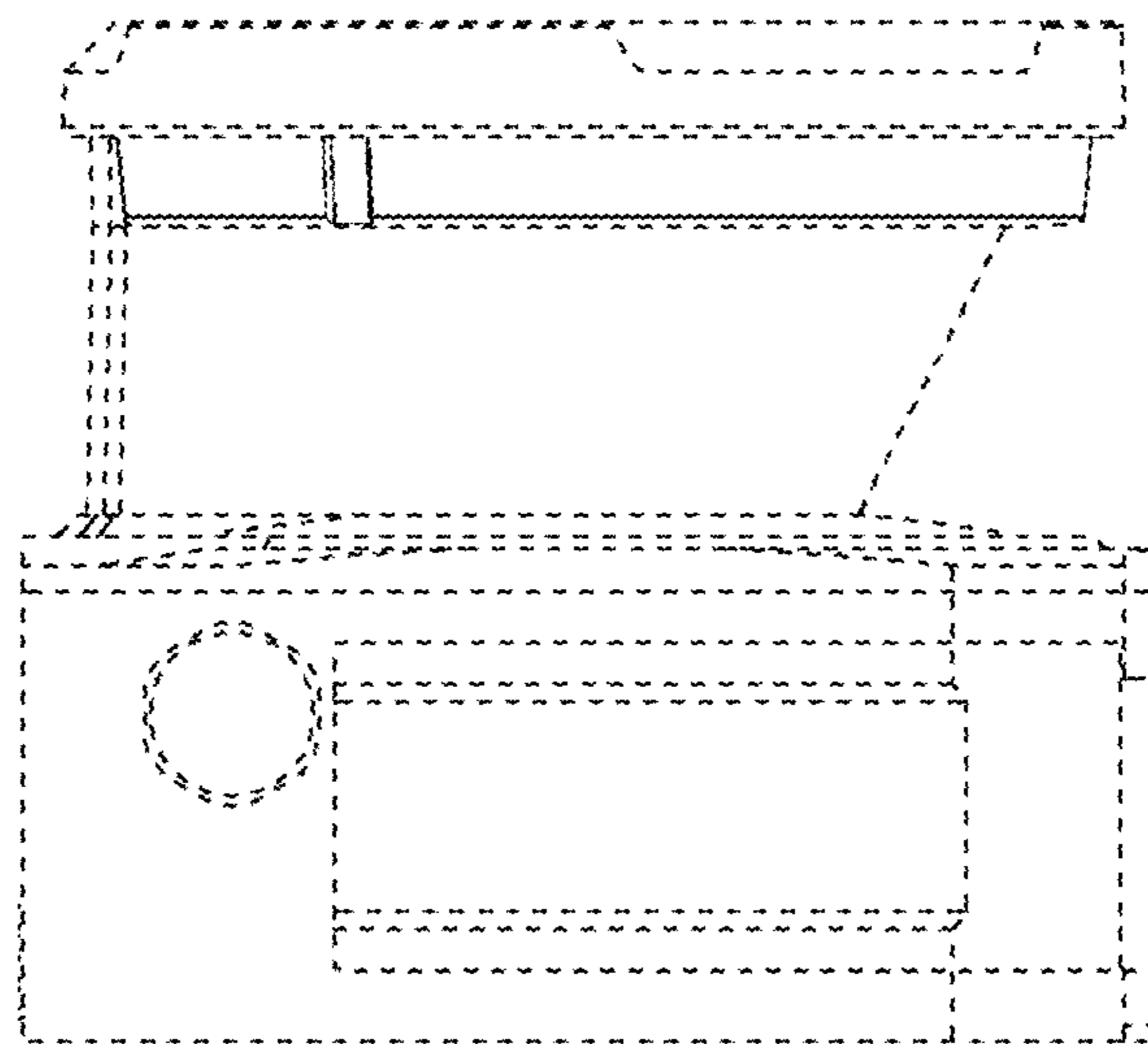


FIG. 15

